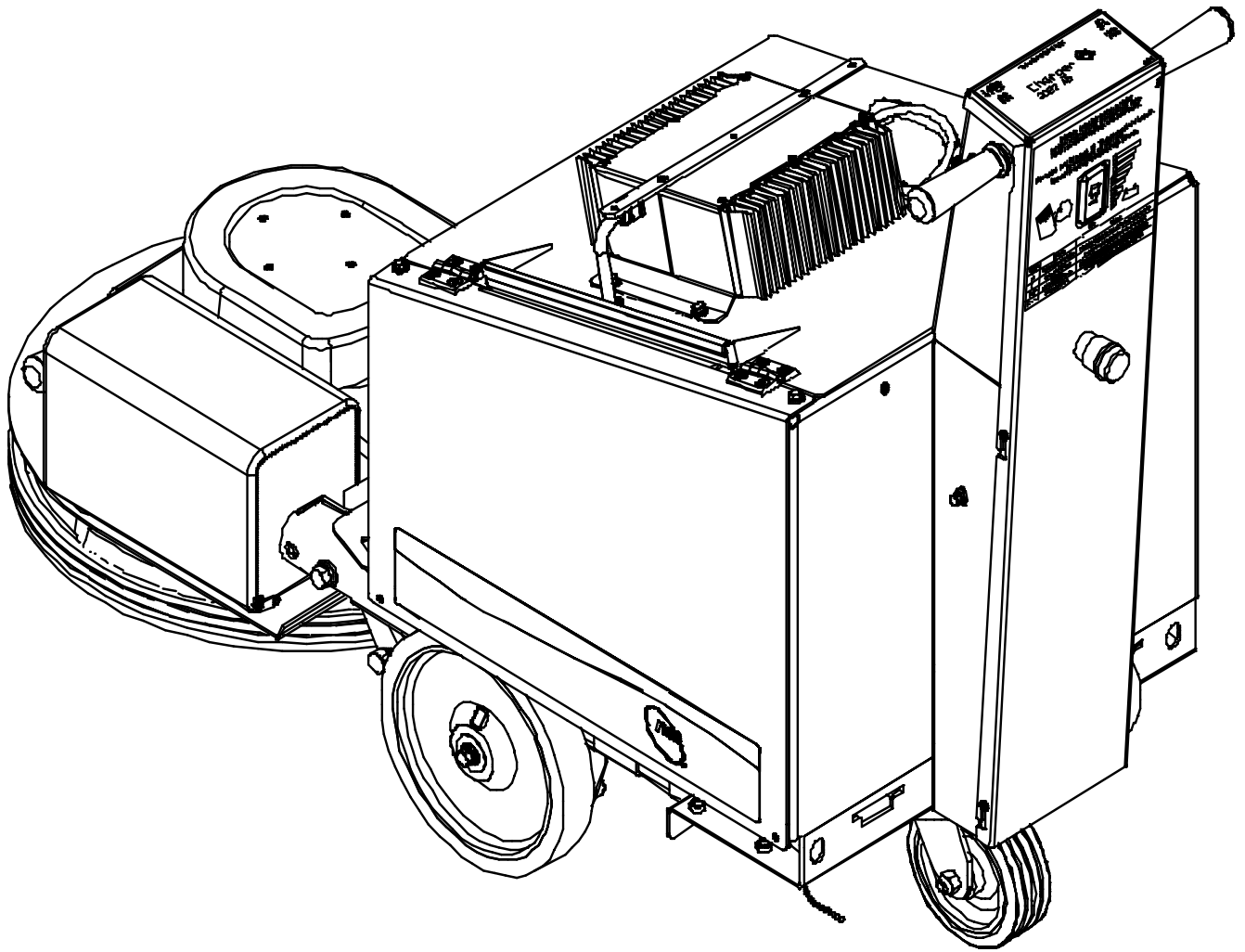
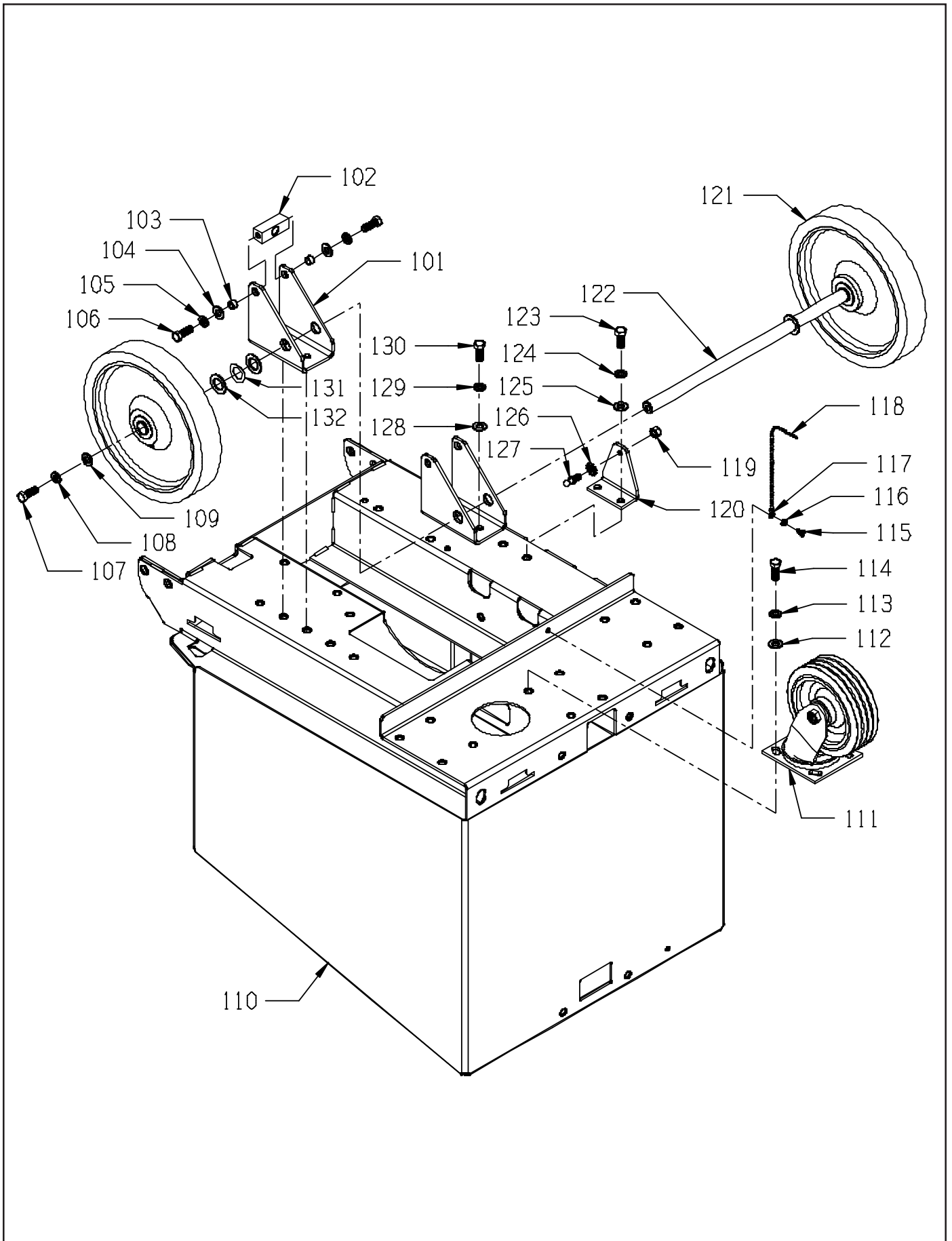


PARTS LIST
SPRINT 2022 AB JD



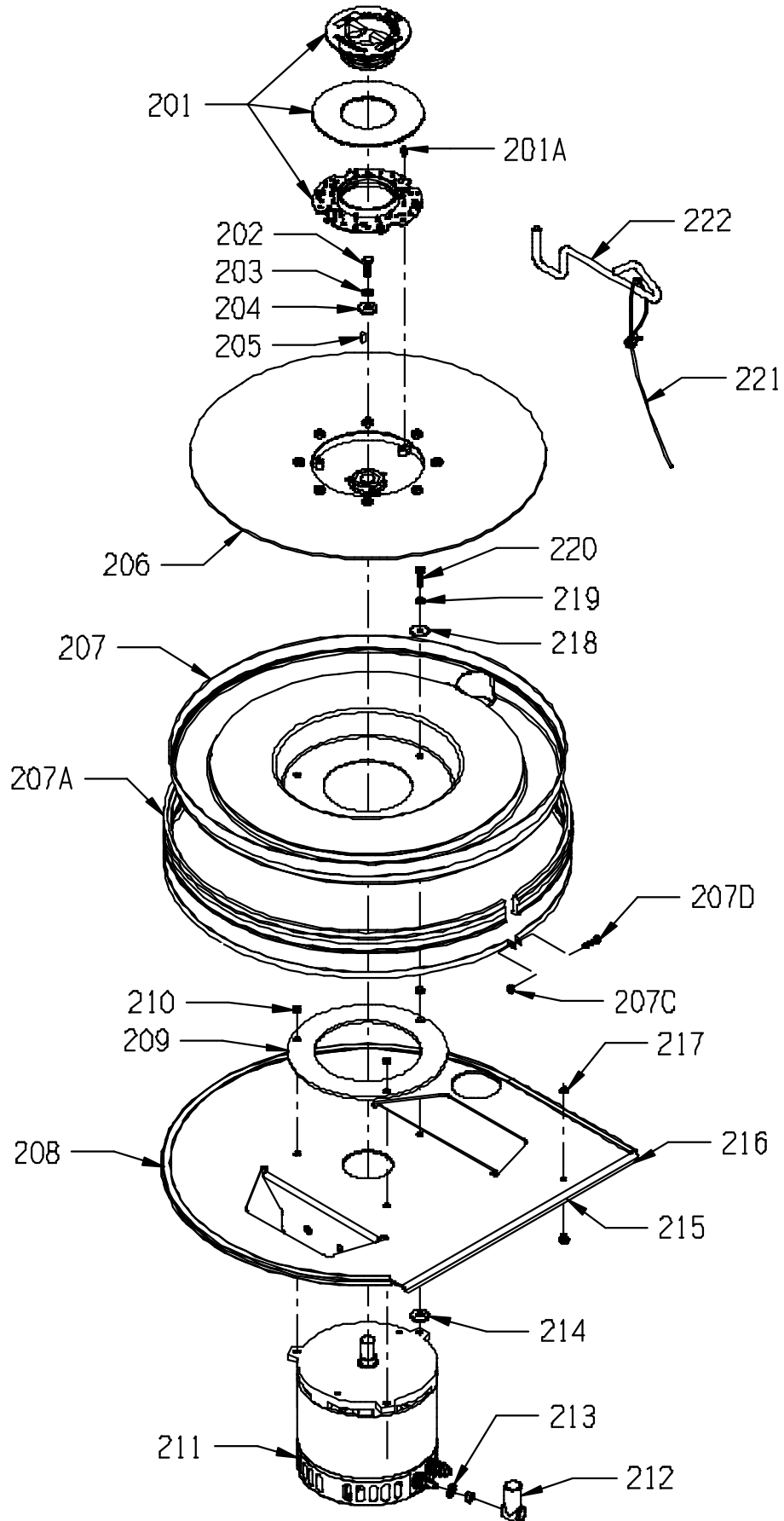
<u>ITEM</u>	<u>PART NO.</u>	<u>PART DESCRIPTION</u>	<u>QTY.</u>
101	6497261	AXLE / PIVOT MOUNT	2
102	6495891	PIVOT	1
103	2691181	PIVOT SPACER, STABILIZER BAR	2
104	9122180	13/32 X 13/16 X .051 THICK WASHER - PACK OF 10	2
105	9122100	3/8 SPLIT LOCK WASHER - PACK OF 10	2
106	9122260	3/8-16 X 1 HEX BOLT - PACK OF 5	2
107	9122260	3/8-16 X 1 HEX BOLT - PACK OF 2	2
108	9122100	3/8 SPLIT LOCK WASHER - PACK OF 10	2
109	9121980	7/16 X 1 X .075 THICK WASHER - PACK OF 2	2
110	6497211	CHASSIS / BODY	1
111	3392591	6" X 2" MAROON CASTER ASSEMBLY	1
112	9122180	13/32 X 13/16 X .051 THICK WASHER - PACK OF 10	4
113	9122100	3/8 SPLIT LOCK WASHER - PACK OF 10	4
114	9122260	3/8-16 X 1 HEX BOLT - PACK OF 5	4
115	9120380	10-24 X 3/8 ROUND HEAD PHILLIPS MACHINE SCREW - PACK OF 10	1
116	9120330	#10 EXTERNAL STAR LOCK WASHER - PACK OF 10	1
117	6491871	END COUPLING ROUND BEAD CHAIN	1
118	6491860	ROUND BEAD CHAIN - CUT TO 8"	.7
119	9121420	5/16-18 HEX NUT - PACK OF 10	1
120	6497201	GAS SPRING MOUNT	1
121	6497371	10" WHEEL	2
122	6497301	AXLE	1
123	9122260	3/8-16 X 1 HEX BOLT - PACK OF 2	2
124	9122100	3/8 SPLIT LOCK WASHER - PACK OF 10	2
125	9122180	13/32 X 13/16 X .051 THICK WASHER - PACK OF 10	2
126	9121410	5/16 EXTERNAL STAR LOCK WASHER - PACK OF 10	1
127	6496541	BALL STUD - GAS SPRING MOUNT	1
128	9122180	13/32 X 13/16 X .051 THICK WASHER - PACK OF 10	2
129	9122100	3/8 SPLIT LOCK WASHER - PACK OF 10	2
130	9122260	3/8-16 X 1 HEX BOLT - PACK OF 2	2
131	9123110	13/16 X 1/8 X 13 THICK 1 WAVE SPRING WASHER - PACK OF 1	1
132	9123105	3/4 I.D. X 1-1/4 O.D. X .071 THICK WASHER - PACK OF 5	3

CHASSIS ASSEMBLY



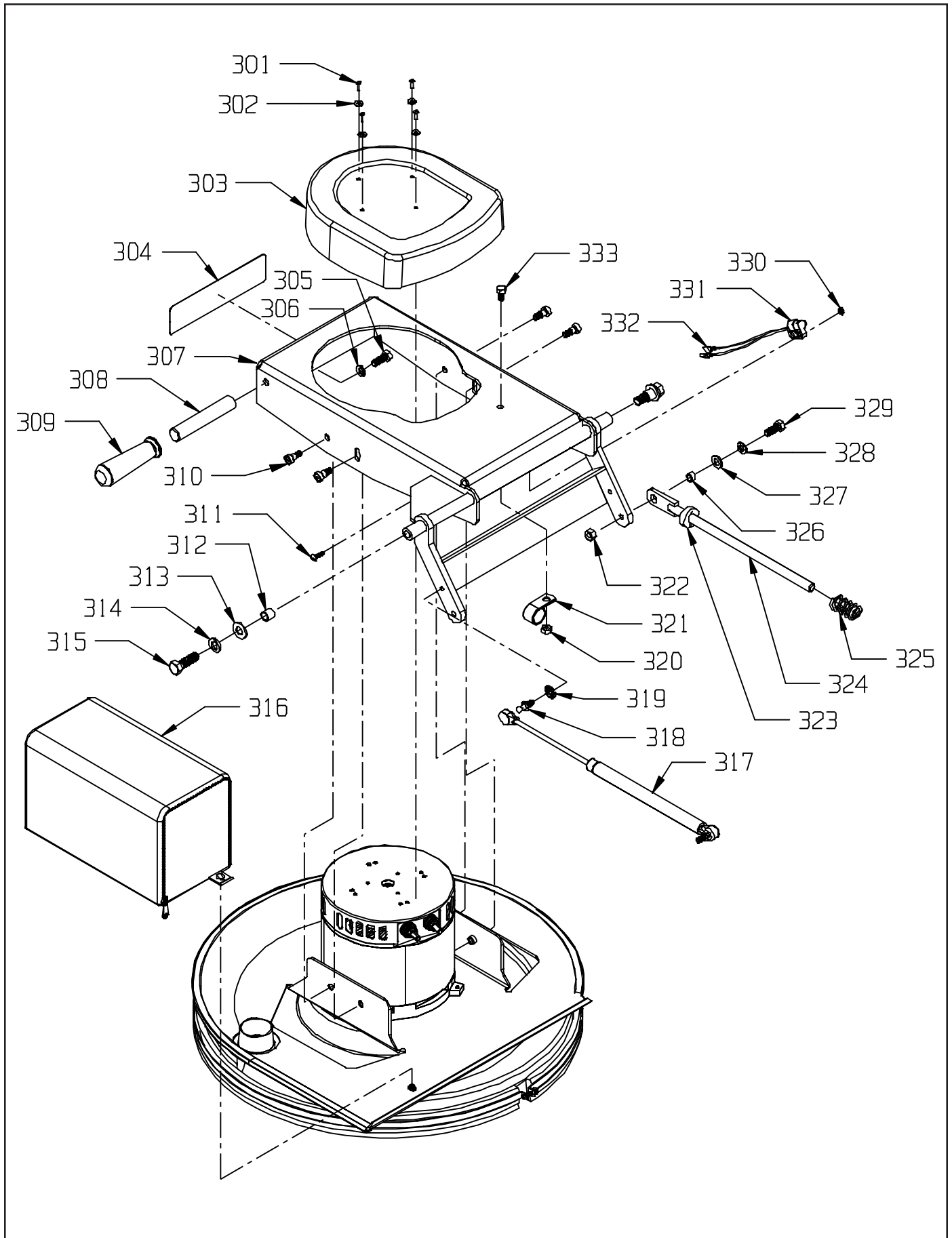
<u>ITEM</u>	<u>PART NO.</u>	<u>PART DESCRIPTION</u>	<u>QTY.</u>
201	5991801	PAD HOLDER WITH TOOTHED RING - INCLUDES:	1
201A	9120205	8 X 1/2 PAN HEAD PHILLIPS SHEET METAL SCREW - PACK OF 3	3
202	9121490	5/16-24 X 7/8 HEX BOLT - PACK OF 2	1
203	9121520	5/16 SPLIT LOCK WASHER - PACK OF 10	1
204	9121985	13/32 I.D. X 1 O.D. X .12 THICK FLAT WASHER 11 GAGE - PACK OF 1	1
205	9120827	3/16 SQUARE X 1" LONG KEY - STEEL - PACK OF 2	1
206	6492581	20" PAD DRIVER	1
207	6497489	FLEXIWALL SHIELD ASSEMBLY - INCLUDES:	1
207A	6490191	BUMPER / BRUSH	1
207B	6490732	BUMPER STRAP	1
207C	9120350	10-24 HEX NUT WITH NY-LOCK INSERT - PACK OF 10	1
207D	9120450	10-24 X 1 ROUND HEAD PHILLIPS MACHINE SCREW - PACK OF 10	1
208	9997590	METAL CORE QUICKEDGE TRIM - CUT TO 55"	4.6
209	6495941	MOTOR INSULATOR JD	1
210	3190201	BRUSH SPACER	3
211	6493521	MOTOR 2500 RPM, 36V	1
212	7692421	TERMINAL BOOT (RED)	1
213	9121410	5/16 EXTERNAL STAR LOCK WASHER - PACK OF 10	2
214	9120930	9/32 I.D. X 5/8 O.D. X .051/.080 THICK FLAT WASHER (1/4) - PACK OF 10	1
215	6496881	STUD WITH #10-32 X 3/8, FILTER BAG	1
216	6497241	SKIRT / MOTOR MOUNT 20"	1
217	9120660	10-32 X HEX NUT WITH NY-LOCK INSERT - PACK OF 10	1
218	9120950	1/4 X 1 1/4 FENDER WASHER - PACK OF 10	3
219	9120880	1/4 SPLIT LOCK WASHER - PACK OF 10	3
220	9121050	1/4-20 X 1-1/4 SOCKET HEAD CAP SCREW - PACK OF 5	3
221	4495510	WRENCH ROPE (8 FEET REQUIRED)	8'
222	4495491	WRENCH, CUP	1

HEAD ASSEMBLY



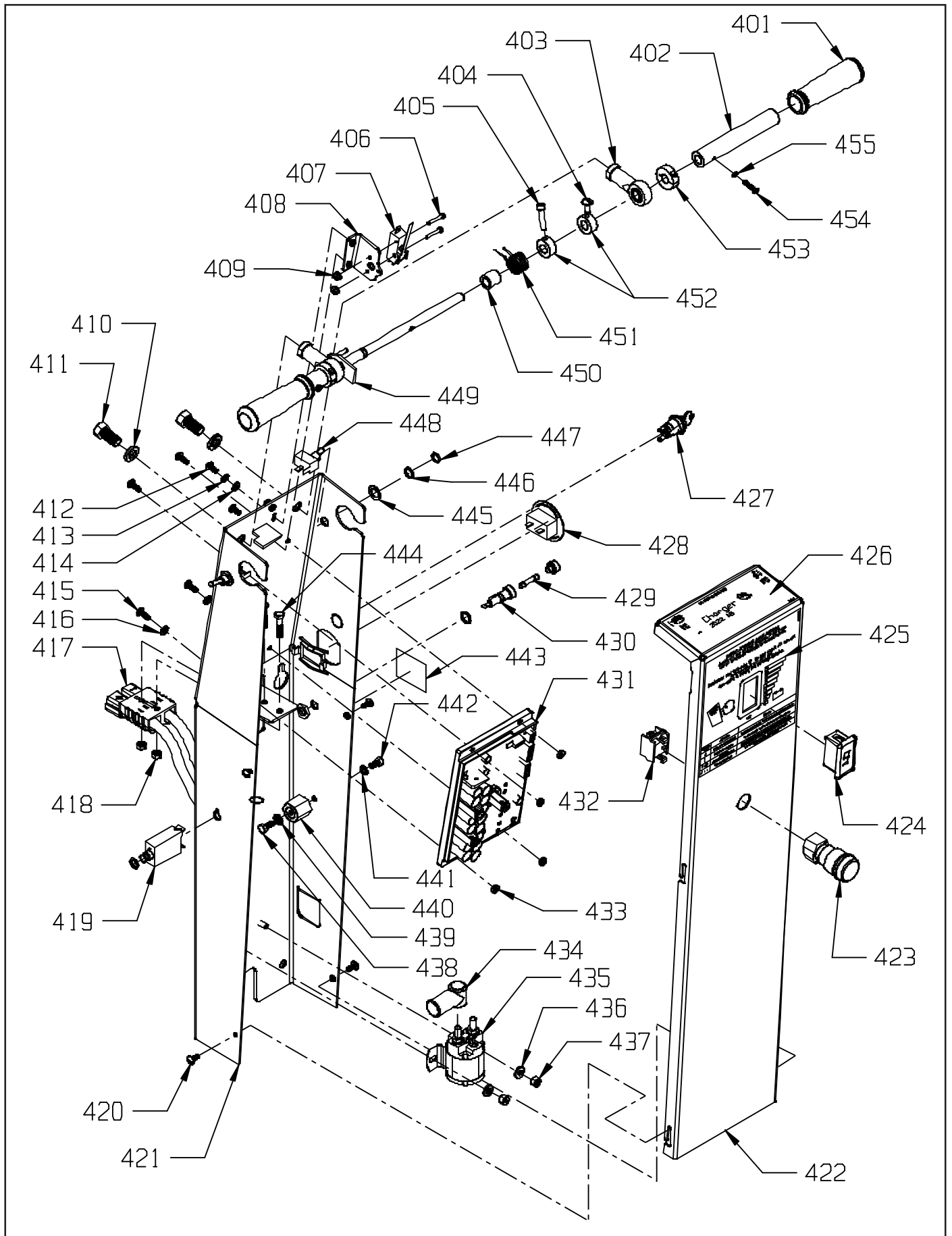
<u>ITEM</u>	<u>PART NO.</u>	<u>PART DESCRIPTION</u>	<u>QTY.</u>
301	9120600	10-24 X 1/2 PAN HEAD PHILLIPS THREAD CUTTING SCREW - PACK OF 10	4
302	9120370	7/32 I.D. X 1/2 O.D. X .032/.065 THICK FLAT WASHER (#10) - PACK OF 10	4
303	6497281	MOTOR COVER	1
304	4792321	NSS LOGO DECAL - 2 X 8	1
305	9122260	3/8-16 X 1 HEX BOLT - PACK OF 2	1
306	9122100	3/8 SPLIT LOCK WASHER - PACK OF 10	1
307	6497251	ARM, BRUSH ASSEMBLY	1
308	6496651	GRIP BASE	1
309	3392901	HANDLE GRIP	1
310	9122020	3/8 X 3/8 SOCKET HEAD SHOULDER BOLT - PACK OF 1	4
311	9120530	10-24 X 7/8 TRUSS HEAD PHILLIPS MACHINE SCREW - PACK OF 5	2
312	2790751	BUSHING SPACER	2
313	9122450	17/32 I.D. X 1 1/16 O.D. X .074/.121 THICK FLAT WASHER (1/2) - PACK OF 5	2
314	9122420	1/2 SPLIT LOCK WASHER - PACK OF 5	2
315	9122550	1/2-13 X 1 1/2 HEX BOLT - PACK OF 1	2
316	6497311	BAG, FILTER MEDIA	1
317	6496531	GAS SPRING (GGS 23-120 I) - INCLUDES:	1
	6496771	SPRING CLIP	2
318	6496541	BALL STUD - GAS SPRING MOUNT	1
319	9121410	5/16 EXTERNAL STAR LOCK WASHER - PACK OF 10	2
320	9121450	5/16-18 HEX NUT WITH NY-LOCK INSERT - PACK OF 5	1
321	2395761	CLAMP, TUBE	1
322	9122140	3/8-16 HEX NUT WITH NY=LOCK INSERT - PACK OF 5	1
323	3393891	COLLAR, SHAFT 1/2"	1
324	6496681	GUIDE, SPRING	1
325	6496671	COMPRESSION SPRING 1.75 X .935 O.D.	1
326	2691181	PIVOT SPACER, STABILIZER BAR	1
327	9122180	13/32 I.D. X 13/16 O.D. X .051/.080 THICK FLAT WASHER (3/8) - PACK OF 10	1
328	9122100	3/8 SPLIT LOCK WASHER - PACK OF 10	1
329	9122300	3/8-16 X 1 1/4 HEX BOLT - PACK OF 2	1
330	9120350	10-24 HEX NUT WITH NY-LOCK INSERT - PACK OF 10	2
331	6496781	TILT SWITCH	1
332	4991371	FULLY INSULATED MALE TERMINAL 22-18 GAGE	2
333	9121600	5/16-18 X 5/8 HEX NUT - PACK OF 5	1

HEAD ARM ASSEMBLY



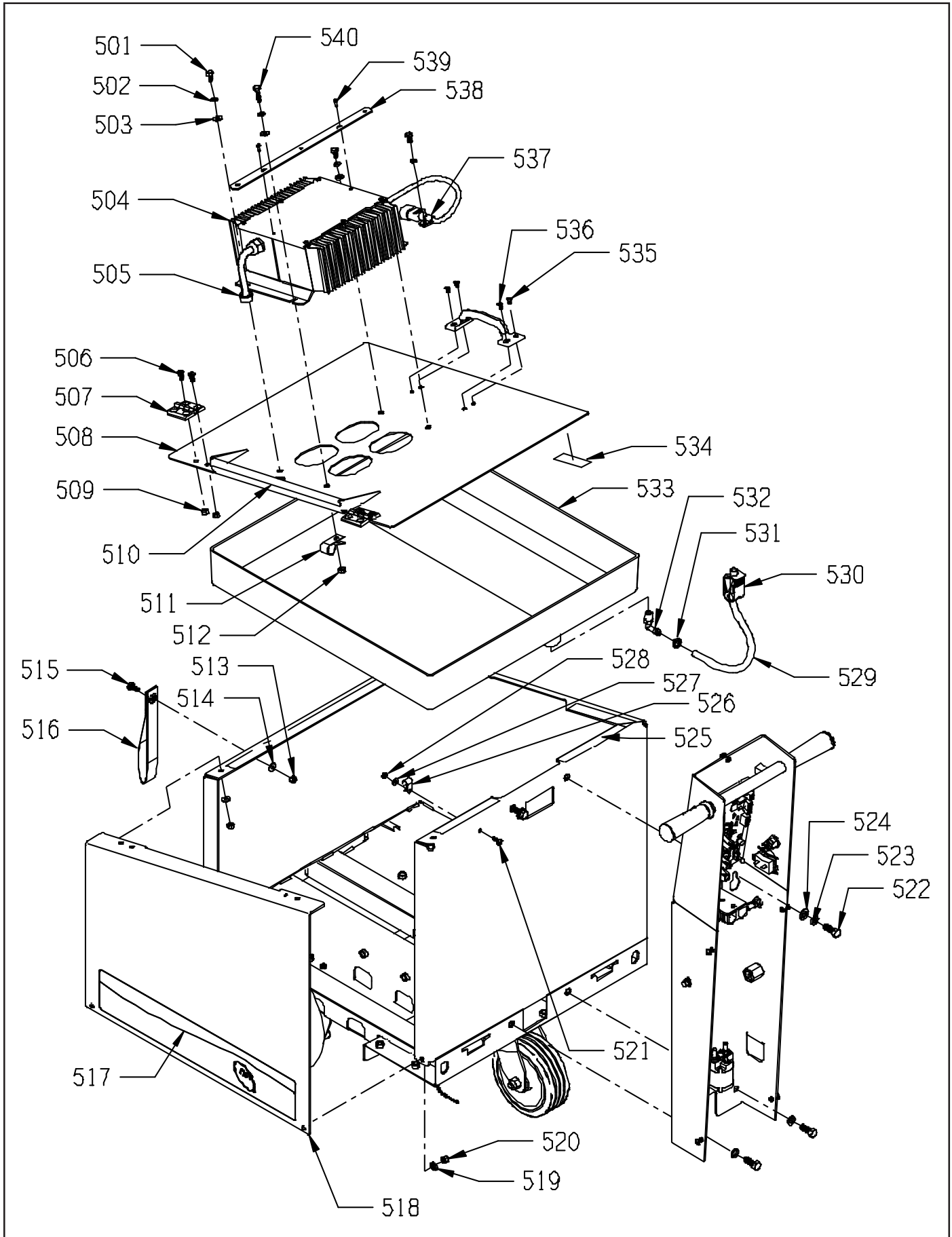
<u>ITEM</u>	<u>PART NO.</u>	<u>PART DESCRIPTION</u>	<u>QTY.</u>
401	3392901	HANDLE GRIP	2
402	2691871	HANDLE GRIP BASE	2
403	2391941	BALL JOINT	2
404	9120990	1/4-20 X 3/8 TRUSS HEAD PHILLIPS MACHINE SCREW - PACK OF 5	1
405	9121050	1/4-20 X 1-1/4 SOCKET HEAD CAP SCREW - PACK OF 5	1
406	9120100	6-32 X 1 ROUND HEAD PHILLIPS MACHINE SCREW - PACK OF 10	2
407	4491071	SNAP SWITCH	1
408	6496991	POTENTIOMETER BRACKET	1
409	9120020	6-32 HEX NUT WITH STAR LOCK WASHER - PACK OF 10	2
410	9122420	1/2 SPLIT LOCK WASHER - PACK OF 5	2
411	9122700	1/2-20 X 1 HEX BOLT - PACK OF 2	2
412	9120510	10-24 X 1/2 TRUSS HEAD PHILLIPS MACHINE SCREW - PACK OF 10	2
413	9120330	10 EXTERNAL STAR LOCK WASHER - PACK OF 10	2
414	9120370	7/32 I.D. X 1/2 O.D. X .032/.065 THICK FLAT WASHER (#10) - PACK OF 10	2
415	9120430	10-24 X 3/4 ROUND HEAD PHILLIPS MACHINE SCREW - PACK OF 10	4
416	9120370	7/32 I.D. X 1/2 O.D. X .032/.065 THICK FLAT WASHER (#10) - PACK OF 10	4
417	6496811	WIRE ASSEMBLY, ANDERSON - MACHINE - INCLUDES:	1
	6491841	175 AMP ANDERSON WITH CONTACTS GRAY 36 VOLT	1
418	9120900	1/4-20 HEX NUT WITH NY-LOCK INSERT - PACK OF 10	2
419	6491261	CIRCUIT BREAKER - 90 AMP	1
420	9120510	10-24 X 1/2 TRUSS HEAD PHILLIPS MACHINE SCREW - PACK OF 10	5
421	6496601	CONTROL FRAME	1
422	6498131	CONTROL FRAME COVER WITH E-SWITCH	1
423	3393521	ACTUATOR, EMERGENCY STOP	1
424	6496971	BATTERY METER WITH HARNESS - INCLUDES:	1
	6496981	BATTERY METER DISPLAY	1
	6496961	WIRE HARNESS, BATTERY METER - 10 PIN	1
425	6497361	BATTERY METER/CODES DECAL AB	1
426	6497421	NAMING LABEL, CHARGER 2022 AB	1
427	7692511	KEY SWITCH & KEY	1
	6497021	WIRE ASSEMBLY, KEY SWITCH (NOT SHOWN)	1
428	2397361	HOUR METER	1
429	6495741	3AG FAST-ACTING FUSE 4 AMP	1
430	4990321	FUSE HOLDER WITH NUT & WASHER	1
431	6497431	CONTROLER 2022 AB	1
	9120970	1/4 EXTERNAL STAR LOCK WASHER - PACK OF 10	5
	9120985	1/4-28 X 3/8 PAN HEAD PHILLIPS MACHINE SCREW	5
432	7691301	EMERGENCY STOP BLOCK	1
433	9120350	10-24 HEX NUT WITH NY-LOCK INSERT - PACK OF 10	4
434	7692421	TERMINAL BOOT (RED)	1
435	4491011	SOLENOID, 36 VOLT	1
436	9120930	9/32 I.D. X 5/8 O.D. X .051/.080 THICK FLAT WASHER (1/4) - PACK OF 10	2
437	9120900	1/4-20 HEX NUT WITH NY-LOCK INSERT - PACK OF 10	2
438	9121210	1/4-20 X 5/8 HEX BOLT - PACK OF 10	1
439	9120970	1/4 EXTERNAL STAR LOCK WASHER - PACK OF 10	1
440	4490561	INSULATED STANDOFF	1
441	9120880	1/4 SPLIT LOCK WASHER - PACK OF 10	1
442	9121170	1/4-20 X 1/2 HEX BOLT - PACK OF 10	1
443	3393481	FUSE DECAL	1
444	9121060	1/4-20 X 1 1/4 HEX BOLT - PACK OF 5	2
445	9122465	.516 I.D. X .813 O.D. X .027/.030 THICK FLAT WASHER - PACK OF 2	2
446	0691851	1/2 INTERNAL STAR LOCK WASHER	2
447	0798821	5/8" HEX NUT (LARGE NUT)	2
448	4491101	TOGGLE SWITCH, MOTOR	2
449	6496191	HANDLE BAR 2716	1
450	6496081	BEARING PLAIN SLEEVE .5 X .75 X .75 LONG	1
451	6496091	SPRING TORSION .81 I.D. .067 WIRE	1
452	6496171	COLLAR, SHAFT 1/2" SET SCREW	2
453	3393891	COLLAR, SHAFT 1/2"	2
454	9120270	8-32 X 7/8 ROUND HEAD PHILLIPS MACHINE SCREW - PACK OF 10	2
455	9120200	8 SPLIT LOCK WASHER - PACK OF 10	2

CONTROL PANEL ASSEMBLY



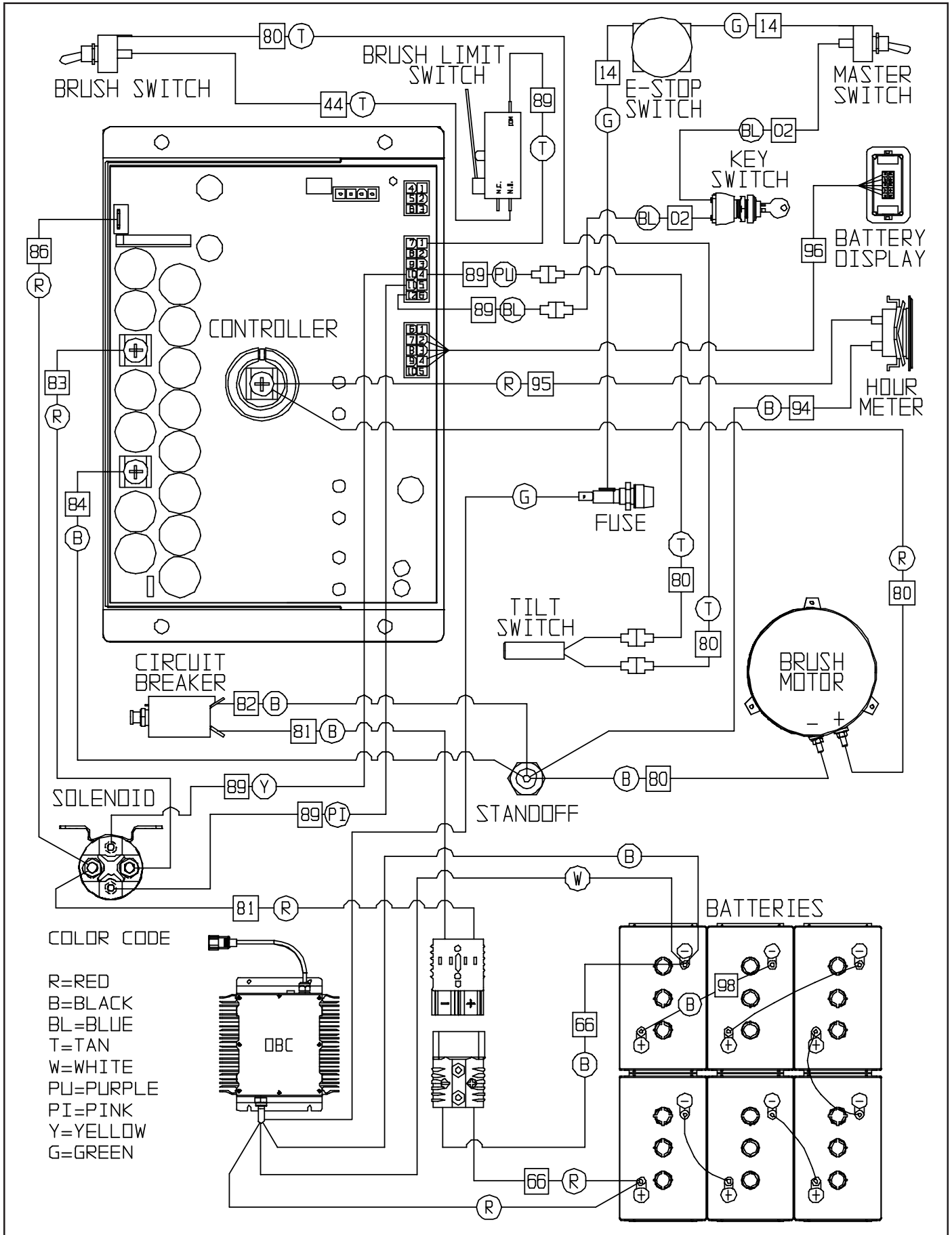
<u>ITEM</u>	<u>PART NO.</u>	<u>PART DESCRIPTION</u>	<u>QTY.</u>
501	9121210	1/4-20 X 5/8 HEX BOLT - PACK OF 10	3
502	9120880	1/4 SPLIT LOCK WASHER - PACK OF 10	4
503	9120930	9/32 I.D. X 5/8 O.D. X .051/.080 THICK FLAT WASHER (1/4) - PACK OF 10	3
504	-----	36 VOLT ON-BOARD CHARGER 120/240 VOLT 21 AMP	1
504	6495701	120 VOLT ON-BOARD CHARGER CORD (NOT SHOWN)	1
504	4496031	ADAPTOR PLUG (NOT SHOWN)	1
505	4890451	BUSHING, SNAPIN, #SB87511 HEYCO	1
506	9121037	1/4-20 X 5/8 FLAT HEAD PHILLIPS MACHINE SCREW - PACK OF 10	8
507	6497811	LID HINGE	2
508	6497221	LID, BODY	1
509	9120900	1/4-20 HEX NUT WITH NY-LOCK INSERT - PACK OF 10	8
510	9997590	METAL CORE QUICKEDGE TRIM - CUT TO 12"	1
511	4890851	CABLE CLAMP, #COV-090 KMC	1
512	9120900	1/4-20 HEX NUT WITH NY-LOCK INSERT - PACK OF 10	4
513	9120900	1/4-20 HEX NUT WITH NY-LOCK INSERT - PACK OF 10	1
514	9120930	9/32 I.D. X 5/8 O.D. X .051/.080 THICK FLAT WASHER (1/4) - PACK OF 10	1
515	9121010	1/4-20 X 3/4 TRUSS HEAD PHILLIPS MACHINE SCREW - PACK OF 5	1
516	6497051	BRUSH HEAD RETAINING STRAP	1
517	7691891	NSS LOGO DECAL KIT - 3.5 X 20	2
518	6497231	SIDE PANEL	1
519	9120930	9/32 I.D. X 5/8 O.D. X .051/.080 THICK FLAT WASHER (1/4) - PACK OF 10	4
520	9120900	1/4-20 HEX NUT WITH NY-LOCK INSERT - PACK OF 10	4
521	9120520	10-24 X 5/8 TRUSS HEAD PHILLIPS MACHINE SCREW - PACK OF 10	1
522	9122260	3/8-16 X 1 HEX BOLT - PACK OF 2	4
523	9122100	3/8 SPLIT LOCK WASHER - PACK OF 10	4
524	9122180	13/32 I.D. X 13/16 O.D. X .051/.080 THICK WROUGHT WASHER (3/8) - PACK OF 10	2
525	9997560	VELCRO LOOP, PRESSURE SENSITIVE	3.8
526	4894071	CLAMP, .437 DIAMETER CABLE, HEYCO	1
527	9120370	7/32 I.D. X 1/2 O.D. X .032/.065 THICK FLAT WASHER (#10) - PACK OF 10	1
528	9120350	10-24 HEX NUT WITH NY-LOCK INSERT - PACK OF 10	1
529	8791070	VINYL HOSE, 3/8" I.D. X 1/2" O.D.	1.3
530	3390661	TUBING CONTROL VALVE	1
531	2392481	HOSE CLAMP, 7/32" - 5/8" DIAMETER	1
532	2490601	FITTING, ELL 3/8 BARB X 1/4 NPT	1
533	6497271	BATTERY TRAY	1
534	9997550	VELCRO HOOK, PRESSURE SENSITIVE	.5
535	9120390	10-24 X 3/8 FLAT HEAD PHILLIPS MACHINE SCREW - PACK OF 10	4
536	7692271	LIFT HANDLE	1
537	3291111	CORD CLAMP	1
538	2695861	CORD WRAP - OBC	1
539	9120085	M3.5 X 19 PAN HEAD PHILLIPS MACHINE SCREW - PACK OF 1	2
540	9121270	1/4-20 X 1 HEX BOLT - PACK OF 10	1

LID AND SIDE ASSEMBLY

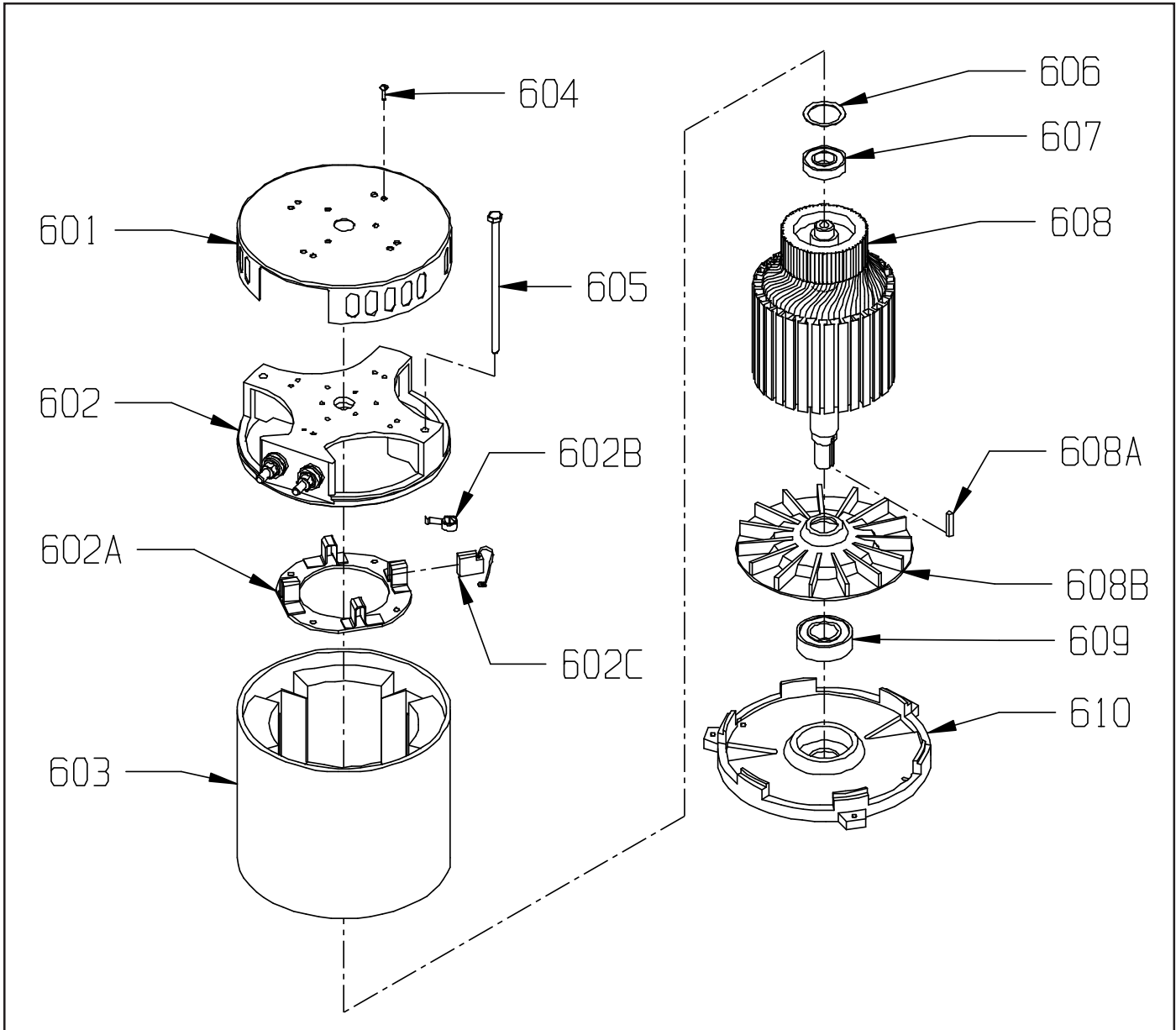


<u>ITEM</u>	<u>PART NO.</u>	<u>PART DESCRIPTION</u>	<u>QTY.</u>
44	6497441	WIRE LIMIT SWITCH TO BRUSH SWITCH	1
66	7691661	WIRING ASSEMBLY ANDERSON TO BATTERY	1
80	6496801	WIRE HARNESS, BRUSH MOTOR	1
81	6496811	WIRE ASSEMBLY, ANDERSON - MACHINE	1
82	6496821	WIRE, BREAKER TO STANDOFF	1
83	6496831	WIRE, SOLENOID TO CONTROLLER	1
84	6496841	WIRE, CONROLLER TO STANDOFF	1
86	6497521	WIRE, SOLENOID TO AB CONTROLLER	1
14	6498141	WIRE ASSEMBLY E-STOP	1
89	6497401	WIRE HARNESS, CONTROLLER - 12 PIN	1
94	6496941	WIRE, HOUR METER TO STANDOFF	1
95	6496951	WIRE, SPEED CONTROL - HOUR METER	1
98	2391981	BATTERY JUMPER 3/8" RING	5
-	2397361	HOUR METER WITH / CLAMP	1
-	4490561	INSULATED STANDOFF	1
-	4491011	SOLENOID, 36 VOLT	1
--	4491071	SNAP SWITCH	1
-	4491101	TOGGLE SWITCH, MOTOR	2
-	4990321	FUSE HOLDER WITH NUT & WASHER	1
-	4991371	FULLY INSULATED MALE TERMINAL 22-18	2
-	6491261	CIRCUIT BREAKER - 90 AMP	1
-	6495701	120 VOLT ON-BOARD CHARGER CORD	1
-	4496031	ADAPTOR PLUG	1
-	6495741	3AG FAST-ACTING FUSE 4 AMP	1
-	6493521	MOTOR 2500 RPM, 36V	1
-	6497431	CONTROLLER 2022 AB	1
-	6496781	TILT SWITCH	1
-	6496971	BATTERY METER WITH HARNESS	1
-	6496981	BATTERY METER DISPLAY	1
-	6496961	WIRE HARNESS, BATTERY METER - 10 PIN	1
-	7692511	KEY SWITCH & KEY	1
02	6497021	WIRE ASSEMBLY, KEY SWITCH	1
-	7692421	TERMINAL BOOT (RED)	2
-	3393521	ACTUATOR, EMERGENCY STOP	1
-	7691301	EMERGENCY STOP BLOCK	1

WIRE DIAGRAM



HEAD MOTOR



<u>ITEM</u>	<u>PART NO.</u>	<u>DESCRIPTION</u>	<u>QTY.</u>
	6493521	MOTOR 2500 RPM, 36 VOLT - INCLUDES:	1
601	5991731	COMMUTATOR BRACKET COVER	1
602	6493531	COMMUTATOR BRACKET ASSEMBLY - INCLUDES:	1
602	6493541	COMMUTATOR BRACKET	1
602A	6493601	BRUSH BOARD ASSEMBLY - INCLUDES:	1
602A1	6493591	SPRING	4
602A2	7692041	CARBON BRUSH	4
603	5991521	STATOR FRAME ASSEMBLY - WITH CLIPS AND MAGNETS	1
604	9120600	10-24 X 1/2 PAN HEAD PHILLIPS THREAD CUTTING SCREW - PK 10	4
605	5991701	THRU BOLT	2
606	5991741	HELICAL WASHER - LARGE	1
607	5991551	BEARING - TOP END	1
608	6493611	ARMATURE - 2500 RPM - INCLUDES:	1
608A	9120827	3/16 SQUARE X 1 LONG KEY - STEEL - PACK OF 2	1
608B	6493571	ALUMINUM FAN	1
609	5991541	BEARING - BOTTOM END	1
610	6493551	END BRACKET - BOTTOM END	1

NOTES

