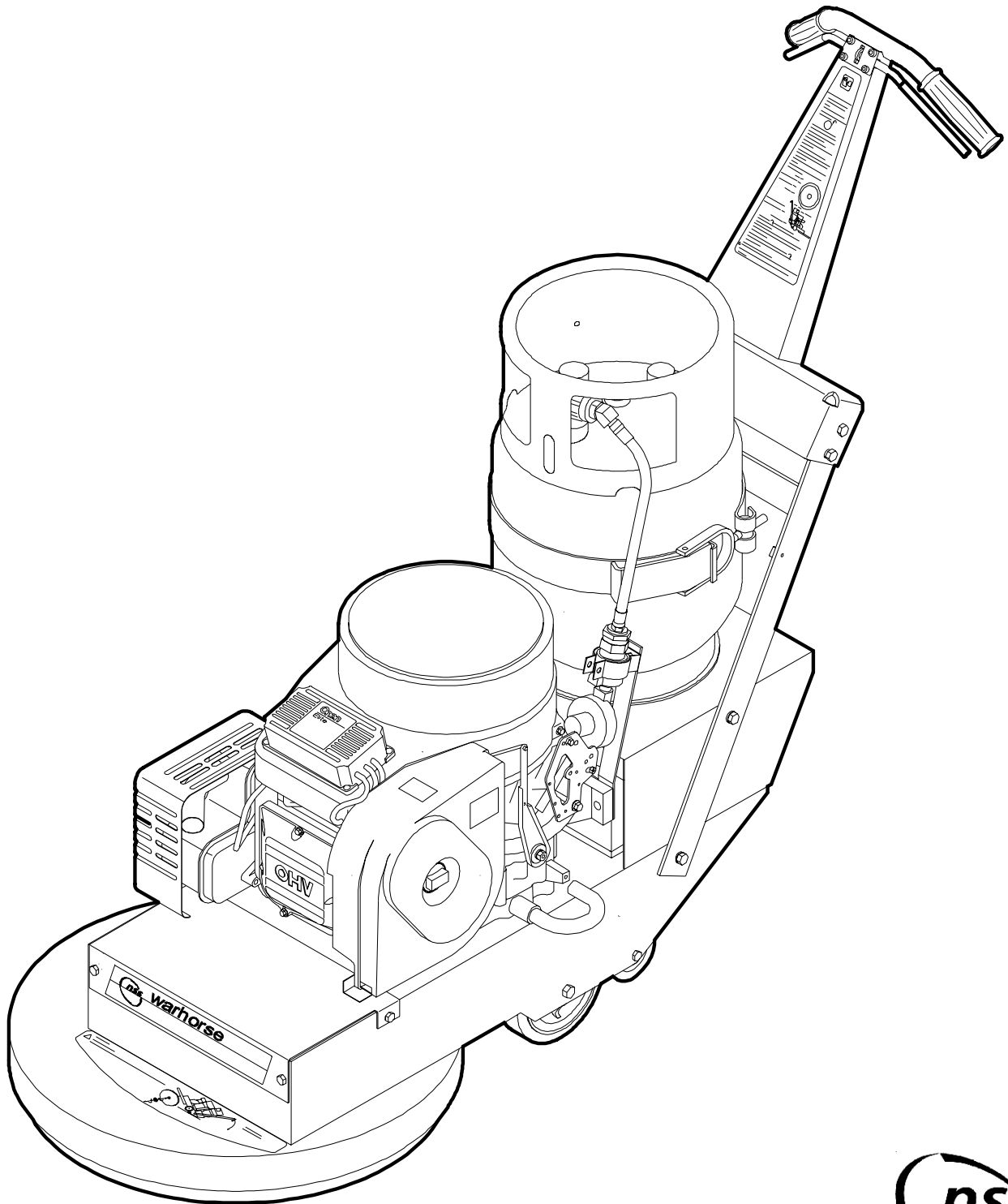
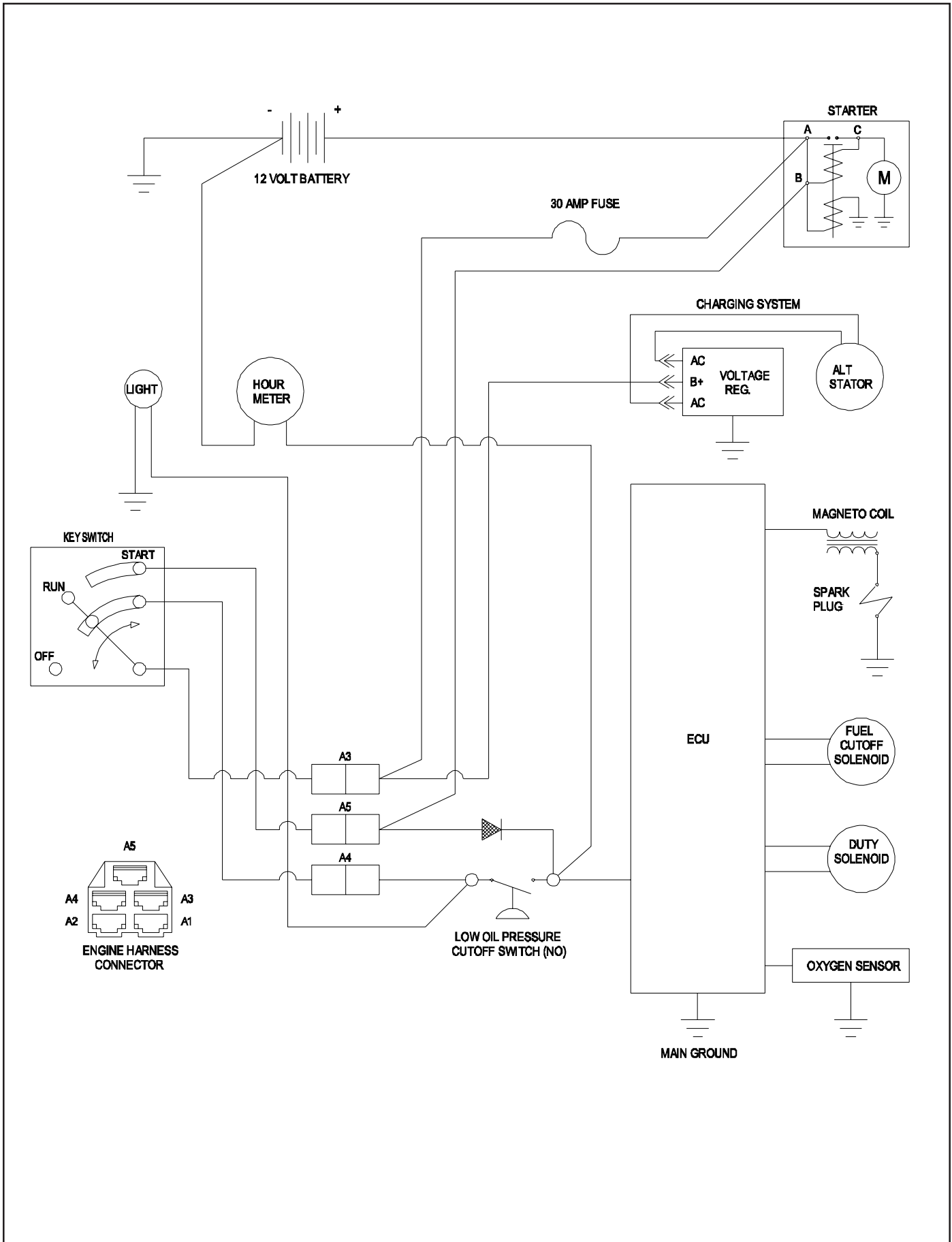


PARTS LIST
WARHORSE 21 & 20 VAC-TRAC



ELITE WIRING DIAGRAM



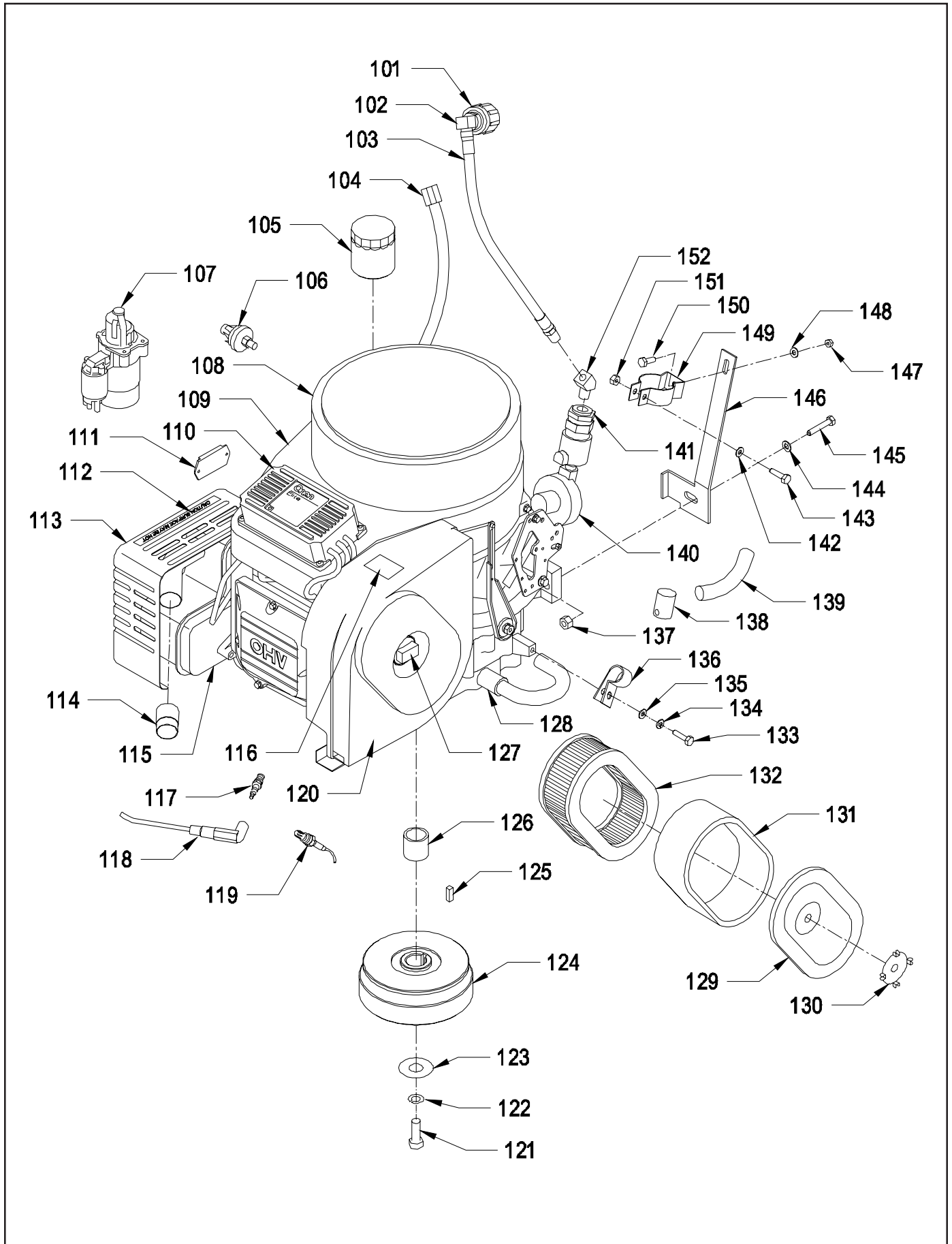
124 ELITE SERVICE PARTS

<u>NSS NO.</u>	<u>ONAN NO.</u>	<u>DESCRIPTION</u>
6590021	308-385	KEY SWITCH ONAN
6593191	515-0295	KEY
6591661	155-2378	GASKET
6591741	338-3646	HARNES - POWER SUPPLY
6591801	110-3591	GASKET - CYLINDER
6591811	102-1462	GASKET - CARBURETOR
6591821	123-1836	BREATHER
6591831	541-0563-11	OIL CAP KIT
6591841	123-2043	TUBE - BREATHER
6591851	150-2548	SPRING - GOVERNOR
6591861	110-3579	VALVE - EXHAUST
6591871	110-3578	VALVE - INTAKE
6591931	965-0764	MANUAL - ELITE SERVICE
6591941	965-0174	MANUAL - ELITE OPERATION
6591951	965-0200	MANUAL - ELITE PARTS
6592041	965-0174-GR	ONAN ELITE OPERATOR MANUAL - GERMAN
6592051	965-0174-FR	ONAN ELITE OPERATOR MANUAL - FRENCH
6592301	502-0269	SEAL - TUBE
6592311	123-1915-50	TUBE - OIL FILL
6592321	155-3080-02	BRACKET - MUFFLER GUARD
6592351	166-0832	MAGNETO
6593541	541-0563-06	OIL CAP KIT
6592371	357-0030	RECTIFIER - SILICON
6592381	321-0162	FUSE - 30 AMP
6592951	509-0289	SEAL - INTAKE VALVE
6593011	152-0330	LINK - THROTTLE
6593021	150-2338	LEVER - GOVERNOR
6593031	152-0343	CLIP - LINK
6593041	153-0650	LINK - CHOKE
6593051	153-0621	SPRING - CHOKE LINKAGE
6593061	821-2033	M6 X 14mm. BOLT
6593071	815-0474	HEX WASHER HEAD SCREW
6593081	503-1445-04	CLAMP - HOSE
6593091	122-0770	ADAPTOR - OIL FILTER
6593101	509-0142	"O" RING
6593111	509-0304	"O" RING
6593121	0226-4815	LEAD - RESISTOR
6593131	168-0220	COMPLETE ENGINE GASKET SET
6593141	509-0330	SEAL EXHAUST VALVE
6593151	503-2097	M.A.P. HOSE (MANIFOLD ABSOLUTE PRESSURE)
6593161	105-0693-02	CAM SHAFT ASSEMBLY
6593171	115-0423	TAPPET
6593181	541-0508	KIT - GOVERNOR

ONAN PROPANE ENGINE 124 ELITE

<u>ITEM</u>	<u>PART NO.</u>	<u>ONAN NO.</u>	<u>DESCRIPTION</u>	<u>QTY.</u>
101	6590181		FEMALE QUICK COUPLING	1
102	6591321		1/4 90 DEGREE STREET ELBOW - STEEL	1
103	6591091		PROPANE - FUEL HOSE	1
104	6591751	338-3651	HARNESS - ENGINE	1
105	6591521	122-0737	FILTER - OIL	1
	6591781	70725-15	OIL FILTER WRENCH	1
106	6591731	309-0646-06	SWITCH - OIL PRESSURE	1
107	6591711	191-1906	STARTER - 12 VOLT	1
108	6591571	140-2825-01	FILTER - PRECLEANER	1
109	6591011		ONAN PROPANE ENGINE 124	1
110	6591651	148-1077	CONTROL UNIT - LPG	1
111	6591721	191-2207	REGULATOR - VOLTAGE	1
112	6590791		LABEL - "CAUTION SURFACES MAY BE HOT"	1
113	6591681	155-3005-02	GUARD - MUFFLER	1
114	6591771	155-2429-01	SPARK ARRESTOR	1
115	6591671	155-3002	MUFFLER - CATALYTIC	1
116	6590671		LABEL SET - "CLEAN AIR FILTER"	1
117	6591701	167-0263-02	SPARK PLUG	1
118	6591691	167-1621	CAP - SPARK PLUG	1
119	6591641	148-1076	SENSOR - OXYGEN	1
120	6591551	140-2676	COVER - AIR CLEANER	1
121	9121290		10 mm. - 1.5 X 30 mm. FULL THREAD HEX HEAD BOLT - STEEL	1
122	9121300		10 mm. SPLIT LOCK WASHER	1
123	9122110		3/8 X 1 1/2 FENDER WASHER	1
124	6591031		CENTRIFUGAL CLUTCH - SINGLE GROOVE	1
125	9121315		1/4 SQUARE X 1 1/2 LONG KEY	1
126	6591101		COLLAR - ENGINE SHAFT	1
127	6590991	140-2761	KNOB - AIR CLEANER COVER 1/4-20	1
128	6591761	504-0186	VALVE - OIL DRAIN	1
129	6591531	140-2674-01	COVER - ELEMENT	1
130	6591541	140-2675	KNOB - INNER COVER	1
131	6591561	140-2748-01	WRAPPER - ELEMENT	1
132	6591581	140-3010	ELEMENT - AIR CLEANER	1
133	9121600		5/16-18 X 5/8 HEX BOLT	1
134	9121520		5/16 SPLIT LOCK WASHER	1
135	9121390		11/32 I.D. X 11/16 O.D. X .051/.080 THICK SAE FLAT WASHER (5/16)	1
136	2395761		CLAMP - TUBE	1
137	9122140		3/8-16 HEX NUT WITH NY-LOK INSERT	1
138	6591601	148-1072	SOLENOID - DUTY	1
139	6591631	148-1075	HOSE - FUEL	1
140	6591611	148-1073	REGULATOR - VAPOR	1
141	6591621	148-1074	FUEL SHUTDOWN SOLENOID WITH FILTER	1
	6591591	148-1071	SYSTEM ASSEMBLY - FUEL	1
142	9120930		9/32 I.D. X 5/8 O.D. X .051/.080 THICK SAE FLAT WASHER (1/4)	1
143	9121270		1/4-20 X 1 HEX BOLT	1
144	9122180		13/32 I.D. X 13/16 O.D. X .051/.080 THICK WROUGHT WASHER (3/8)	1
145	9122301		3/8-16 X 1 1/4 HEX BOLT	1
146	6591121		BRACKET - FUEL SYSTEM	1
147	9120910		1/4-20 HEX NUT WITH STAR LOCK WASHER	1
148	9120930		9/32 I.D. X 5/8 O.D. X .051/.080 THICK SAE FLAT WASHER	1
149	6591181		CLAMP - FUEL SYSTEM	1
150	9121170		1/4-20 X 1/2 HEX BOLT	1
151	9120910		1/4-20 HEX NUT WITH STAR LOCK WASHER	1
152	6590171		45 DEGREE STREET ELBOW 1/4	1

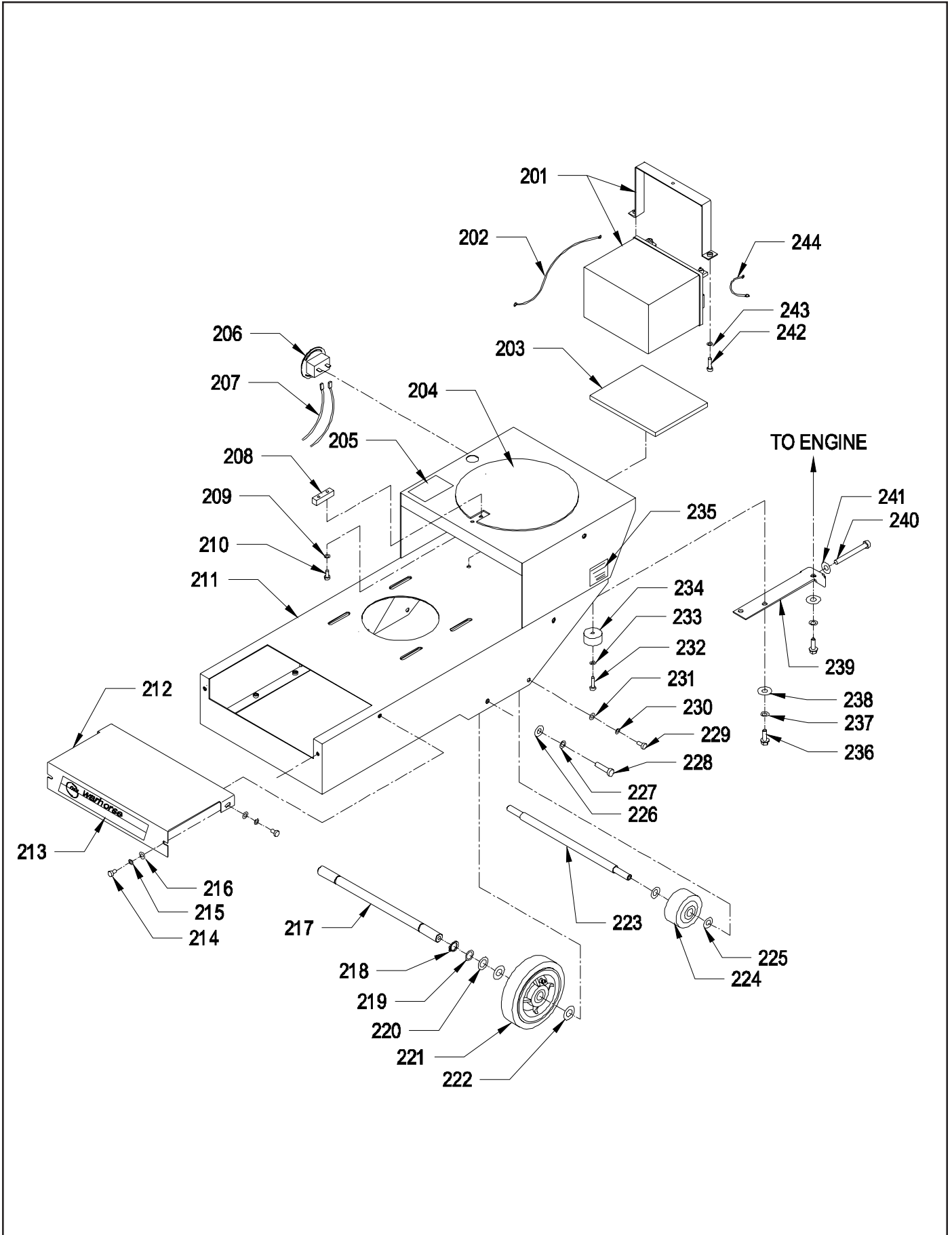
ONAN PROPANE ENGINE 124 ELITE



DECK ASSEMBLY

<u>ITEM</u>	<u>PART NO</u>	<u>DESCRIPTION</u>	<u>QTY.</u>
201	6592779	BATTERY - 12 VOLT - INCLUDES:	1
	6592771	BATTERY - 12 VOLT	1
	6592763	BATTERY CLAMP - SHORT	1
202	6590041	CABLE - POSITIVE BATTERY	1
203	6590071	GASKET - BATTERY	1
204	6590081	GASKET - PROPANE TANK	1
205	6590671	LABEL SET - "CHECK OIL LEVEL"	1
206	2397361	HOUR METER	1
207	6591141	POSITIVE LEAD - HOUR METER	1
	6590451	NEGATIVE LEAD - HOUR METER	1
208	6590391	TANK LOCATOR - WARHORSE 20 ONLY	1
209	9120880	1/4 SPLIT LOCK WASHER - WARHORSE 20 ONLY	2
210	9121210	1/4-20 X 5/8 HEX BOLT - WARHORSE 20 ONLY	2
211	6592573	DECK	1
212	6591163	FRONT COVER	1
213	6590671	LABEL SET - "MACHINE NAME AND LOGO"	1
214	9121170	1/4-20 X 1/2 HEX BOLT	4
215	9120880	1/4 SPLIT LOCK WASHER	4
216	9120930	9/32 I.D. X 5/8 O.D. X .051/.080 THICK SAE FLAT WASHER (1/4)	4
217	6591051	AXLE - 6" MAIN WHEEL	1
218	5293151	RETAINING RING	2
219	9123105	3/4 I.D. X 1 1/4 O.D. X .071 THICK WASHER	2
220	9123110	3/16 I.D. X 1 1/8 O.D. X .13 THICK 1 WAVE SPRING WASHER - WARHORSE 20	2
221	6591111	6" X 1 1/2" WHEEL	2
	6591211	DELTRIN BEARING FOR 6" WHEEL - TWO REQUIRED PER WHEEL	2
222	4991091	3/4 I.D. X 1 1/2 O.D. X .031 THICK FLAT WASHER - PLASTIC	4
223	6591066	AXLE - DOLLY WHEEL	1
224	2790281	3" BUMPER WHEEL	2
225	9122465	.615 I.D. X .813 O.D. X .027/.030 THICK FLAT WASHER	4
226	9121980	7/16 I.D. X 1 O.D. X .075/.080 THICK SAE FLAT WASHER (3/8)	2
227	9122100	3/8 SPLIT LOCK WASHER	2
228	9122260	3/8-16 X 1 HEX BOLT	2
229	9121560	5/16-18 X 1/2 HEX BOLT	2
230	9121520	5/16 SPLIT LOCK WASHER	2
231	9121390	11/32 I.D. X 11/16 O.D. X .051/.080 THICK SAE FLAT WASHER (5/16)	2
232	9121250	1/4-20 X 3/4 HEX BOLT	2
233	9120880	1/4 SPLIT LOCK WASHER	2
234	4894461	RUBBER STOP	2
235	6591241	LABEL - "UL LISTED"	1
236	9121680	5/16-18 X 1 HEX BOLT	4
237	9121520	5/16 SPLIT LOCK WASHER	4
238	9121390	11/32 I.D. X 11/16 O.D. X .051/.080 THICK SAE FLAT WASHER (5/16)	4
239	6590531	BELT ADJUSTMENT BRACKET	1
240	9122350	3/8-16 X 3 HEX BOLT	1
241	9121980	7/16 I.D. X 1 O.D. X .075/.080 THICK SAE FLAT WASHER (3/8)	1
242	9121210	1/4-20 X 5/8 HEX BOLT	2
243	9120880	1/4 SPLIT LOCK WASHER	2
244	6590051	CABLE - NEGATIVE BATTERY	1

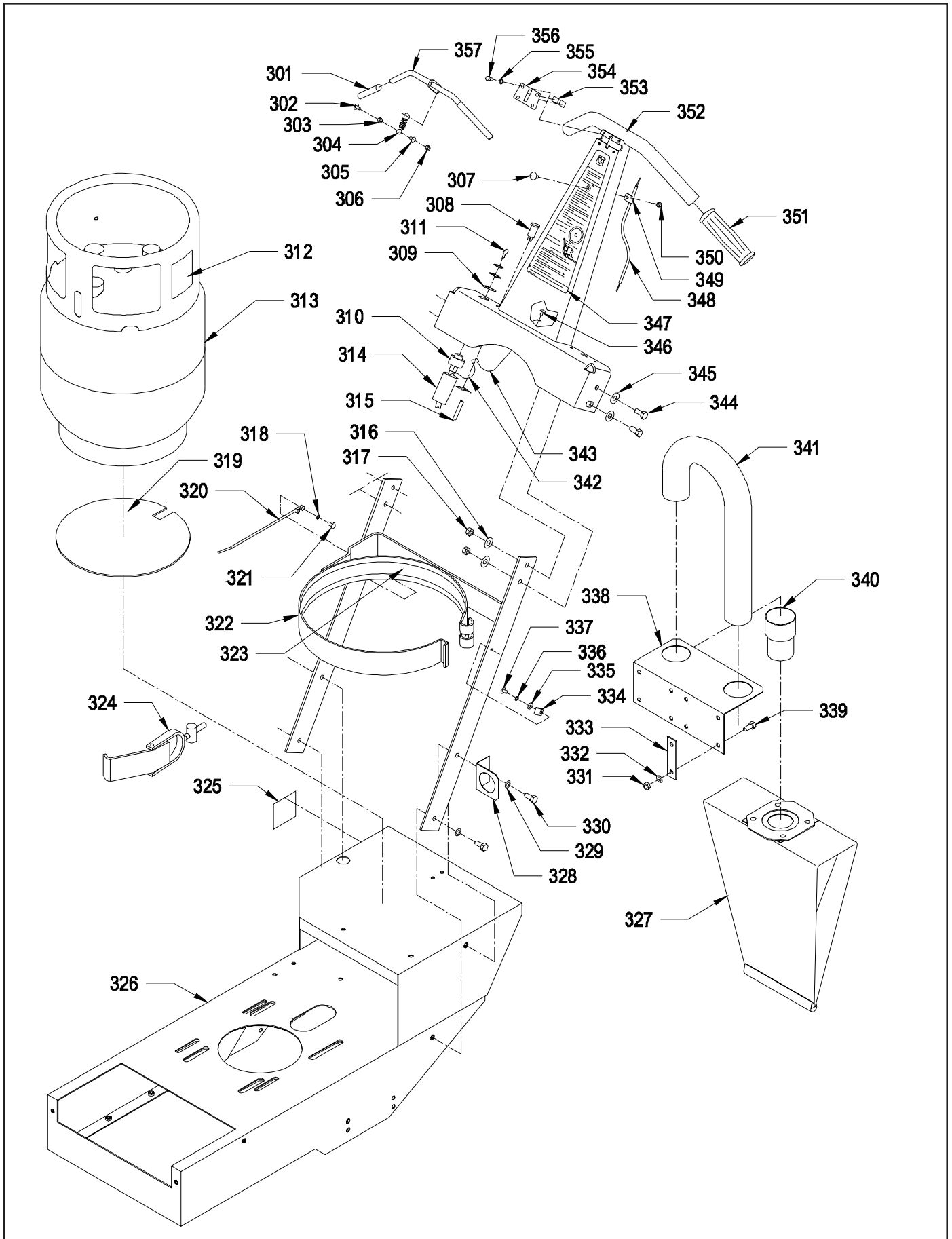
DECK ASSEMBLY



HANDLE ASSEMBLY

<u>ITEM</u>	<u>PART NO.</u>	<u>DESCRIPTION</u>	<u>QTY.</u>
301	6590351	THROTTLE LEVER GRIP	2
302	9120450	10-24 X 1 ROUND HEAD PHILLIPS MACHINE SCREW	1
303	9120360	10-24 HEX NUT WITH STAR LOCK WASHER	1
304	4490641	EXTENSION SPRING	1
305	9120783	10-38 NYLON SCREW INSULATOR	1
306	9120350	10-24 HEX NUT WITH NY-LOK INSERT	1
307	9120510	10-24 X 1/2 TRUSS HEAD PHILLIPS MACHINE SCREW	1
308	6590461	LIGHT	1
309	9122470	9/16 I.D. X 1 3/8 O.D. X .086/.132 THICK WROUGHT WASHER (1/2)	1
310	6590021	KEY SWITCH - INCLUDES:	1
311	6593191	KEY ONLY	1
312	6590671	LABEL KIT - "PROPANE TANK FILL AND STORAGE"	1
313	6590101	PROPANE FUEL TANK	1
314	9997050	1/2" SHRINK TUBE	6"
315	9997100	1 1/2" SHRINK TUBE	4"
316	9121400	3/8 I.D. X 7/8 O.D. X .064/.104 THICK WROUGHT WASHER (5/16)	1
317	9121450	5/16-18 HEX NUT WITH NY-LOK INSERT	4
318	9120320	10 SPLIT LOCK WASHER	1
319	6590081	GASKET - PROPANE TANK	1
320	9123015	3/16 X 7 1/2 LONG #10 MOUNTING HOLE WIRE TIE	1
321	9120410	10-24 X 1/2 ROUND HEAD PHILLIPS MACHINE SCREW	1
322	6590133	HANDLE BASE	1
323	6590497	VELCRO LOOP - 34"	1
324	6590111	CLAMP - TANK	1
325	6590671	LABEL KIT - "CALL FOR SERVICE"	1
326	6592563	DECK	1
327	6592801	VAC TRAC DUST COLLECTION BAG - WARHORSE 20 ONLY	1
328	6591343	SINGLE HOSE BRACKET - WARHORSE 20 ONLY	1
329	9121510	5/16 SPLIT LOCK WASHER	4
330	9121600	5/16-18 X 5/8 HEX BOLT	4
331	9120900	1/4-20 HEX NUT WITH NY-LOK INSERT - WARHORSE 20 ONLY	4
332	9120930	9/32 I.D. X 5/8 O.D. X .051/.080 THICK SAE FLAT WASHER (1/4) - WARHORSE 20 ONLY	4
333	6591881	CLAMP - DOUBLE HOSE BRACKET - WARHORSE 20 ONLY	2
334	4894071	CLAMP - .437 DIAMETER CABLE - HEYCO	1
335	9120370	7/32 I.D. X 1/2 O.D. X .032/.065 THICK SAE FLAT WASHER (#10)	1
336	9120320	10 SPLIT LOCK WASHER	1
337	9120500	10-24 X 3/8 TRUSS HEAD PHILLIPS MACHINE SCREW	1
338	6592883	DOUBLE HOSE BRACKET - WARHORSE 20 ONLY	1
339	9121250	1/4-20 X 3/4 HEX BOLT WITH NYLON PATCH - WARHORSE 20 ONLY	4
340	2590391	2" HOSE CUFF - WARHORSE 20 ONLY	1
341	6591971	2" DIAMETER HOSE - 54" LONG - WARHORSE 20 ONLY	1
342	6590541	POSITIVE LEAD - LIGHT	1
343	6590551	NEGATIVE LEAD - LIGHT	1
344	9121680	5/16-18 X 1 HEX BOLT	4
345	9121400	3/8 I.D. X 7/8 O.D. X .064/.104 THICK WROUGHT WASHER (5/16)	4
346	9120500	10-24 X 3/8 TRUSS HEAD PHILLIPS MACHINE SCREW	1
347	6590671	LABEL SET - "MACHINE OPERATION AND STARTING"	1
348	6590151	CABLE - THROTTLE	1
349	6590361	CABLE CLIP	1
350	9120350	10-24 HEX NUT WITH NY-LOK INSERT	1
351	6590411	HANDLE GRIP	2
352	6590123	HANDLE - UPPER	1
353	6591217	GASKET - THROTTLE LEVER PLATE	2
354	6590163	THROTTLE LEVER PLATE	1
355	9120320	10 SPLIT LOCK WASHER	4
356	9120615	10-24 X 3/8 SOCKET HEAD CAP SCREW	4
357	6590141	THROTTLE LEVER	1

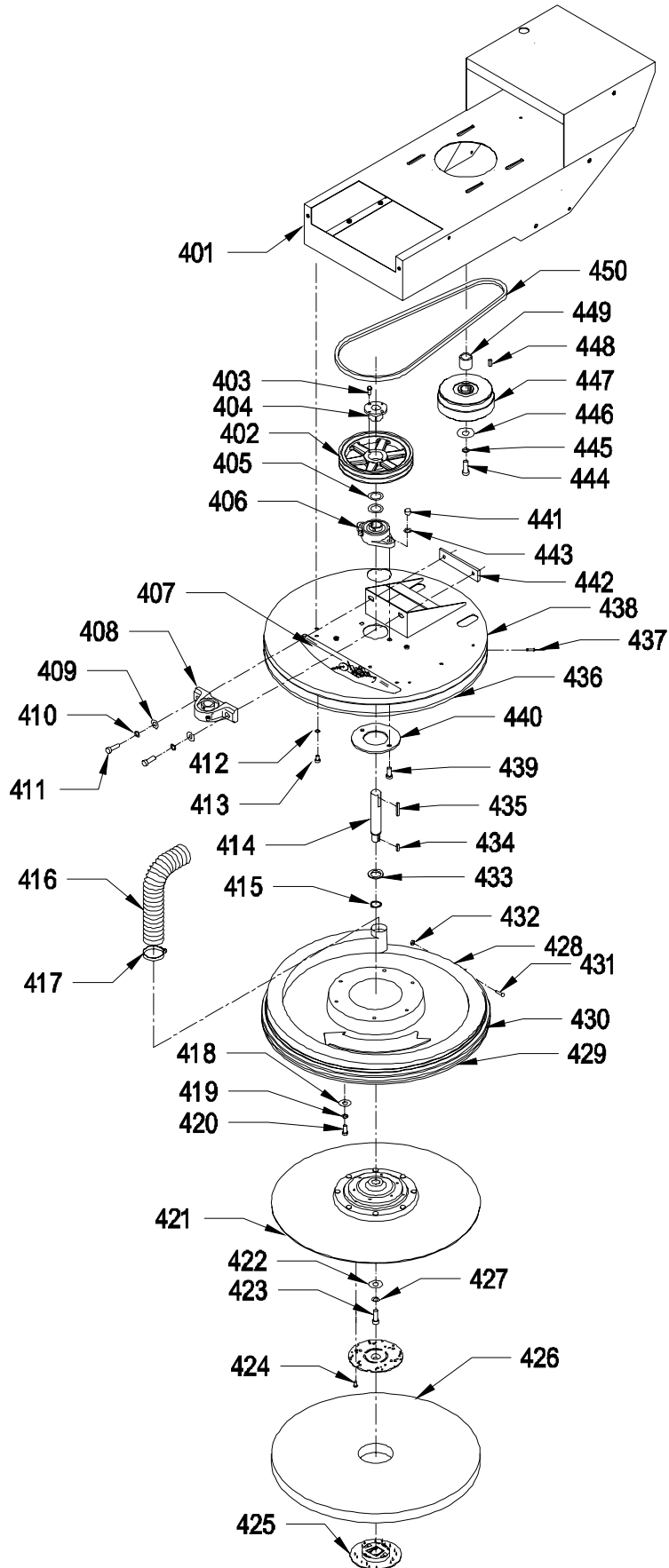
HANDLE ASSEMBLY



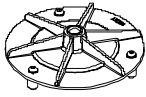
SKIRT ASSEMBLY

<u>ITEM</u>	<u>PART NO.</u>	<u>DESCRIPTION</u>	<u>QTY.</u>
401	6592573	DECK	1
402	6593009	SINGLE GROOVE SHEAVE KIT - INCLUDES:	1
	6592981	SINGLE GROOVE SHEAVE	1
403	9121251	1/4-20 X 3/4 HEX BOLT	2
404	6592961	SPLIT TAPER BUSHING	1
405	6590521	1 I.D. X 1.5 O.D. X .13 THICK FLAT WASHER - STEEL - 10 GAGE	2
406	6590271	BEARING - LOWER DRIVEN	1
407	6590671	LABEL SET - "PAD APPLICATION"	1
408	2691241	BEARING - PILLOW BLOCK	1
409	9122180	13/32 I.D. X 13/16 O.D. X .051/.080 THICK WROUGHT WASHER (3/8)	2
410	9122100	3/8 SPLIT LOCK WASHER	2
411	9122300	3/8-16 X 1 1/4 HEX BOLT	2
412	9120880	1/4 SPLIT LOCK WASHER	8
413	9121170	1/4-20 X 1/2 HEX BOLT	8
414	6592591	SHAFT - DRIVEN - WARHORSE 20 ONLY	1
	6590281	SHAFT - DRIVEN - WARHORSE 21 ONLY	1
415	6590321	1" EXTERNAL RETAINING RING	1
416	6591971	2" DIAMETER HOSE - 54" LONG - WARHORSE 20 ONLY	1
417	4495441	HOSE CLAMP - 1 9/16 TO 2 1/2 DIAMETER - WARHORSE 20 ONLY	1
418	9120950	1/4 X 1 1/4 FENDER WASHER - WARHORSE 20 ONLY	3
419	9120880	1/4 SPLIT LOCK WASHER - WARHORSE 20 ONLY	3
420	9121210	1/4-20 X 5/8 HEX BOLT - WARHORSE 20 ONLY	3
421	6592608	FLEXIBLE PAD DRIVER ASSEMBLY - WARHORSE 20 ONLY	1
	6591028	FLEXIBLE PAD DRIVER ASSEMBLY - WARHORSE 21 ONLY	1
422	9122400	1/2 I.D. X 1 3/32 O.D. X .074/.121 THICK SAE FLAT WASHER (7/16)	1
423	9122260	3/8-16 X 1 HEX BOLT	1
424	9120790	10 X 5/8 PAN HEAD PHILLIPS SHEET METAL SCREW	3
425	5990721	SPRING CLIP PAD HOLDER SET	1
426	-----	PAD - SEE ACCESSORIES PAGE FOR DIFFERENT TYPES	1
427	9122100	3/8 SPLIT LOCK WASHER	1
428	6490729	FLEXIWALL SHIELD ASSEMBLY - WARHORSE 20 ONLY	1
429	6490191	BUMPER BRUSH - WARHORSE 20 ONLY	1
430	6490732	BUMPER STRAP - WARHORSE 20 ONLY	1
431	9120450	10-24 X 1 ROUND HEAD PHILLIPS MACHINE SCREW - WARHORSE 20 ONLY	1
432	9120350	10-24 HEX NUT WITH NY-LOK INSERT - WARHORSE 20 ONLY	1
433	6590521	1 I.D. X 1.5 O.D. X .13 THICK FLAT WASHER - STEEL - 10 GAGE	1
434	9120825	3/16 SQUARE X 7/8 LONG KEY - STEEL	1
435	9121315	1/4 SQUARE X 1 1/2 LONG KEY - STEEL	1
436	6590407	BUMPER - 6" - WARHORSE 21 ONLY	1
437	9120309	1/8 X 1/2 DOME HEAD POP RIVET - WARHORSE 21 ONLY	6
438	6591969	SKIRT - WARHORSE 20 - INCLUDES:	1
	6591963	SKIRT - WARHORSE 20	1
439	9122075	3/8-16 X 1 1/2 HEX BOLT	2
440	6592911	REINFORCEMENT RING	1
441	9122140	3/8-16 HEX NUT WITH NY-LOK INSERT	2
438	6591009	SKIRT - WARHORSE 21 - INCLUDES:	1
	6591003	SKIRT - WARHORSE 21	1
439	9122075	3/8-16 X 1 1/2 HEX BOLT	2
440	6592911	REINFORCEMENT RING	1
441	9122140	3/8-16 HEX NUT WITH NY-LOK INSERT	2
442	6590251	TAPPING PLATE - UPPER BEARING	1
443	9122180	13/32 I.D. X 13/16 O.D. X .051/.080 THICK WROUGHT WASHER (3/8)	2
444	9121290	10 mm. - 1.5 X 30 mm. FULL THREAD HEX HEAD BOLT - STEEL	1
445	9121300	10 mm. SPLIT LOCK WASHER	1
446	9122110	3/8 X 1 1/2 FENDER WASHER	1
447	6591031	CENTRIFUGAL CLUTCH - SINGLE GROOVE	1
448	9121315	1/4 SQUARE X 1 1/2 LONG KEY - STEEL	1
449	6591101	COLLAR - MOTOR SHAFT	1
450	6591081	BELT - DRIVE	1

SKIRT ASSEMBLY



ACCESSORIES



- 6594019 SETTING FIXTURE - 20" VAC TRAC
- 6594219 SETTING FIXTURE - 21"



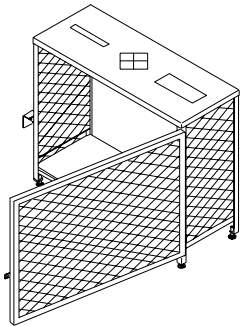
- 1093621 BAG SNAP - VAC TRAC ONLY
- 1099801 HANGER RING ONLY - WITHOUT SNAP - VAC TRAC ONLY



- 5990601 BIG MOUTH PAD HOLDER SET
- 5990611 BIG MOUTH - MALE THREAD PORTION



- 7992051 20" LITE BLUE SOFT FINISH PAD
- 7992061 20" LITE HAIR BURNISH PAD
- 7992081 20" ULTRA HAIR HARD FINISH PAD
- 7992091 20" ULTIMATE HAIR PAD



- 7992151 21" LITE BLUE SOFT FINISH PAD
- 7992161 21" LITE HAIR BURNISH PAD
- 7992181 21" ULTRA HAIR HARD FINISH PAD
- 7992191 21" ULTIMATE HAIR PAD

- 6590801 L.P. TANK STORAGE CAGE



NSS ® Enterprises, Inc.

3115 Frenchmens Road, Toledo, Ohio 43607
PHONE (419) 531-2121 FAX (419) 531-3761
NSS ® Enterprises, Inc. European Distribution Centre
Unit II, Pinfold Trading Estate * 55 Nottingham Road
STAPLEFORD, NOTTINGHAM NG9 8AD ENGLAND U.K.
PHONE: (44) 0115 939 1568 * FAX: (44) 0115 949 0615