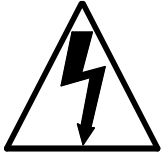


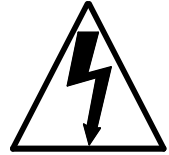
MOCCASIN - 2022



IMPORTANT SAFETY INSTRUCTIONS



**READ AND UNDERSTAND ALL INSTRUCTIONS
BEFORE OPERATING OR SERVICING MACHINE**



DANGER!

Failure to Observe These Instructions Can Cause Personal Injury to Machine Operator, By-standers or Possible Machine Damage.

- When using an electrical appliance, basic precautions should always be followed, including the following:
- **NEVER** attempt to service or perform maintenance functions while the machine is plugged into an electrical outlet.
- **NEVER** attempt to operate this machine unless you have been trained in its operation.
- **NEVER** allow an untrained person to operate this machine.
- Use this machine **ONLY** as described in this manual.
- **NEVER** operate this machine with a damaged, broken, cut, abraded or taped cord or plug.
- **ALWAYS** connect this machine to a properly grounded electrical outlet. See the following pages for grounding instructions and wiring diagram.
- **NEVER** leave this machine unattended when plugged in. Unplug the machine from the electrical outlet when not in use and before attempting repairs or maintenance.
- **ALWAYS** turn the machine **OFF** before unplugging from the electrical outlet.
- **NEVER** operate this machine in the presence of flammable or combustible liquids, such as gasoline, fumes or dusts.
- **NEVER** attempt to pick up flammable or combustible liquids, such as gasoline, fumes or dusts.
- **NEVER** handle the machine, cord or plug with wet hands.
- **NEVER** drop or insert any object into any machine opening.
- **ALWAYS** keep face, fingers, hair or any body part, or loose clothing away from any machine opening or moving part.
- **NEVER** pick up anything that is burning or smoking, such as cigarettes, matches or hot ashes.
- **ALWAYS** use extreme care when cleaning on stairs or when machine is placed on stairs.
- **NEVER** operate this machine if it is not working properly, if it has been dropped, damaged, exposed to weather or dropped into water. Return the machine to a service center for examination and repair.
- **NEVER** operate this machine with any air opening blocked. Keep all air openings free of dust, lint, hair and the like.
- **NEVER** operate this machine without a dust bag and / or filters in place.
- **DO NOT** pull or carry this machine by its electrical supply cord, use the cord as a handle, close a door on the cord, pull the cord around sharp edges or corners, expose to heated surfaces, or set heavy or sharp objects on the cord.
- **NEVER** disconnect the plug by pulling on the cord. To disconnect the cord from the outlet, grasp the plug, not the cord.
- **DO NOT** allow this machine to be used as a toy. Close attention is necessary when used by or near children.
- **DO NOT** expose to rain, snow or extremes in temperature.
- **DO NOT** use this machine to vacuum a floor or upholstery.

SAVE THESE INSTRUCTIONS

GROUNDING INSTRUCTIONS

This machine must be grounded. If it should malfunction or break down, grounding provides a path of least resistance for the electric current in order to reduce the risk of electric shock. This machine is equipped with a cord having an equipment-grounding conductor and grounding plug. The plug must be plugged into an appropriate outlet that is properly installed and grounded in accordance with all local codes and ordinances. **FAILURE TO DO SO MAY CAUSE ELECTROCUTION** due to improper connection of ground.

DANGER

Improper connection of the equipment grounding conductor can result in a risk of electric shock. Check with a qualified electrician or service person if you are in doubt as to whether the outlet is properly grounded. Do not modify the plug provided with the machine if it will not fit the outlet. Have a proper outlet installed by a qualified electrician.

This machine is for use on a nominal 120 volt circuit and has a grounding plug that looks like the plug illustrated in Figure A.

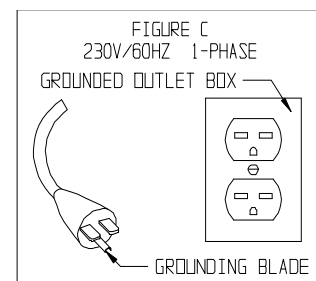
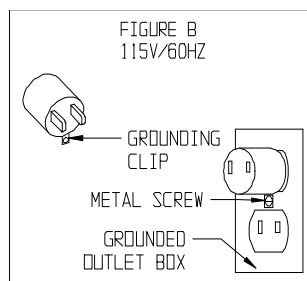
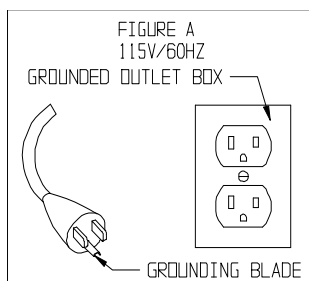
A temporary adapter that looks like the adapter illustrated in Figure B may be used to connect this plug to a 2-pole receptacle as shown below if a properly grounded outlet is not available.

The temporary adapter should be used only until a properly grounded outlet (Figure A) can be installed by a qualified electrician. The green colored rigid ear, lug, grounding clip or the like extending from the adapter must be connected to a permanent ground such as a properly grounded outlet box cover. Whenever the adapter is used, it must be held in place by a **METAL** screw.

Check the nameplate on the machine to be sure the voltage and cycle stated on the nameplate are the same as the voltage and cycle of the electrical outlet that you're using. **DO NOT** attempt to plug a 115 volt machine into a 230 volt outlet.

Figure C. A machine that uses 230 volts may or may not have the grounding (earthed) plug attached to the cord. For use within the U.S.A. - 230 volts, 60 HZ , the plug is already supplied the with cord. For use outside the U.S.A., it may be up to the purchaser to have a proper grounding (earthed) plug attached.

Always use a properly grounded 3-wire extension cord which has male and female plugs. Use only 12-3 SJTWA type extension cords to a maximum length of 50 feet.



NOTE: IN CANADA, THE USE OF A TEMPORARY ADPATOR IS NOT PERMITTED BY CANADIAN ELECTRICAL CODE

OPERATION, USE & ACCESSORIES

CAUTION:

It is always advisable to receive instructions from a person previously trained, before attempting to operate the Moccasin - 2022. However, if you are familiar with carpet cleaning, you should be able to operate this machine. Please read all of these illustrated operating instructions.

NOTE:

Always wear tennis shoes. Street shoes or rubber cushioned shoes, when wet, will release absorbed dirt or grease onto wet the carpeting and cause resoiling. Wet shoes can cause the operator to slip and fall when walking from wet carpet onto bare floors. Make sure the soles of your shoes are wiped dry before walking onto a bare floor. Care should be taken as carpet cleaning solutions may attack a bare floor.

CAUTION:

NEVER stick your hands, feet, or any other objects under the brush head when the motor is operating. Injury may result!

PREPARATION

You must read all of this manual before operating the Moccasin - 2022 carpet extractor. You must look at all of the photographs and read the copy to properly operate and maintain this machine. You must become familiar with the control panel (Figure 1) which has four switches, a speed control, and a separate circuit breaker for the brush motor and the drive motor.

The master switch, upper left, is turned on first (before any of the other switches can be activated).

There are switches for suction, spray and brush rotation. The speed control switch governs the speed of the forward movement of the machine. A deadman lever, located under the control panel, must be activated for movement of the machine, and activation of the brush and spray.

The solution tank drain hose, the recovery tank drain hose, and the vac shoe hose are shown in their normal operating position (Figure 2).



Figure 1



FIGURE 2

The recovery tank hose and the solution tank hose are shown in the drain position in Figure 3. Figure 4 illustrates the vac hose removed from the vac shoe for cleaning. The raising and lowering levers for the vac shoe and the brush head are shown in Figure 5.



FIGURE 3



FIGURE 4



FIGURE 5



FIGURE 6

RAISING AND LOWERING THE VAC SHOE AND BRUSH HEAD

The vac shoe and power cord are packed in a separate carton with the machine. The vac shoe lift cable is already attached to the lift mechanism for the vac shoe.

To attach the vac shoe, simply slide the tool onto the threaded rod and secure with a washer and nut, then slide the vac hose over the stock of the vac shoe. The vac shoe is now ready for operation.

To lower the vac shoe to the carpet, move the right lever to the right and release.

The vac shoe has an additional position to “lockdown” the vac shoe tighter to the carpet for better recovery. From the floating position push down on the right lever and lock it under the notch.

To lower the brush head, move the left lever to the left, and release, the brush head will move into position on the carpet.

Attach the twist lock end of the power cord to the stub cord of the machine, plug the other end into an appropriate electrical outlet. Move the speed control lever on the control panel to its slow speed. Turn **ON** the master switch. Check to see if the top clear dome is secure on the recovery tank then turn the vac switch **ON** to make sure the vac motor is operating.

To check on the brush and the pump for proper operation, turn both switches to **ON**. Squeeze the deadman lever under the control handle, the brush should run. With the solution tank empty, the solenoid that controls the pump should emit a short “bup-bup” sound.

FILLING THE SOLUTION TANK

Make sure that the mesh filter is in place (Figure 6). Premix the extraction chemical (as per the chemical manufacturer’s mixing instructions) with hot water (95°F/35°C max.) in a five gallon bucket and pour it into the tank. Both the solution tank and recovery tanks capacity are 20 gallons.

Avoid using high-foaming chemicals. High-foaming liquids waste the capacity of the recovery tank. Always use a low-foaming extraction chemical. Always use a defoamer to keep foam out of the vacuum motor fans.

To efficiently defoam the recovered solution that will be vacuumed into the recovery tank, simply remove the vac hose from the vac shoe. Turn **ON** the vacuum switch; vacuum two cups of defoamer into the recovery tank. Do not put defoamer into the solution tank.

Before attempting to operate the machine, it may be necessary to check the spray jets and see if they are clean. If the machine has been used previously, cleaning solution may have settled into the spray jets and dried there, clogging them. See Service & Maintenance for cleaning instructions. To make the most efficient use of the Moccasin - 2022, and to get the cleanest carpet, always vacuum the carpet, with a vacuum cleaner to remove excess dirt before scrubbing and extracting.

OPERATION

- Turn **ON** the master switch **before** turning **ON** the vacuum switch.
- Turn **ON** the brush switch.
- Turn **ON** the pump switch.
- Lower the brush head assembly to the carpet with the left lift lever.
- Lower the vacuum shoe to the carpet with the right lift lever.
Note: You may also “lockdown” the vacuum shoe to the carpet.
- You **must lift** the vacuum shoe when moving the Moccasin - 2022 in reverse.
- Squeeze the deadman lever under the control handle to propel forward. The brush and spray will stop when the deadman lever is released.
- At the cleaning site turn the speed control to propel the machine at the required speed.
- You can drive the machine to the cleaning site by squeezing the deadman lever with the pump and vacuum switches “**OFF**”, turning the speed control to get the desired speed.

Before attempting to clean the room or hallway, the operator should inspect the area to see if there are any heavy soil conditions (particularly heavy traffic areas) or spots. Propel this machine up to those areas and prespray.

To prespray, remove the spray wand from its holder (located at the right rear side of the machine). Prespray those traffic areas by squeezing the trigger on the spray wand. This will draw cleaning solution from the machine’s solution tank. Do not attempt to prespray areas that you will not overscrub with the machine within a ten minute time span. If there are spots, try to ascertain what type of stain it is. See the “common Stains and Cleaning Treatments” page for solutions us use on the stain. There is room for two bottles of spotting liquid on the shelf at the back of the machine. For treating stains refer to the page with the “Common Stains and Cleaning Treatments”. Let the spray sit on the stain for about five minutes, then blot up as much as possible.

EMPTYING THE SOLUTION AND RECOVERY TANKS

Any remaining solution should be drained into a toilet, slop sink, janitor’s closet, or bucket. Remove the recovery tank hose from the bracket. Lower or aim the hose in the direction that you want the solution to flow. Turn the stopper counterclockwise to drain.

If there is a small amount of solution left in the solution tank, it is possible to vacuum the solution into the recovery tank (provided there is sufficient room to handle the excess solution). It is necessary to turn the master switch and vacuum switch ON, so that the vacuum motor is running.

Remove the vac hose which is connected to the recovery shoe. Pull the clear solution tank hose down, and insert it into the vac hose. The vac hose will vacuum the solution into the recovery tank.

FILTERS

The mesh filter used to strain the solution poured into the solution tank should be removed after each use and rinsed in clear water before replacing.

Solution Tank

- Primary large mesh nylon.
- Metal screen cartridge at bottom right side of tank.

Recovery Tank

- Metal screen cartridge on top of the vacuum tube under the clear dome.
- Turn clear dome sideways to allow an opening in order to allow for the recovery tank to air dry.

AFTER USE AND BEFORE STORAGE

Both the solution and recovery tanks should be drained after each use. In addition, both tanks should be rinsed with clear water. This is particularly important for the solution tank. If it is possible, turn the machine ON and operate it with clear water in the solution tank to completely clean the spray jets (running for 30 seconds should be sufficient). If you have white vinegar handy, pour some into the tank with clean water.

CLEANING HALLWAYS AND LARGE OPEN AREAS

First vacuum the carpet, using a vacuum cleaner, before attempting any extraction.

- Plan your work based upon available electrical outlets.
- Start at the electrical outlet to which your machine is plugged into, and clean along the wall boards, away from your outlet, with the right-hand side of the machine closest to the wall.
- The area closest to the wall is usually the least soiled. Work along the wall, operating the machine as far as the cord will allow.
- Begin cleaning a room or hallway at the closest point to the electrical outlet into which you have plugged the cord of your machine. This helps to avoid running over the cord during operation. Move the machine as close to the wall as you can, and begin to operate the machine with the master switch, the pump motor, the vac motor, and the suction all **ON**.
- Usually, areas closest to the walls are the least soiled, so turn the speed control to its mid point. If you wish to move the machine faster, turn the speed control up to a higher speed. The right hand side of the machine has a bumper wheel, so always keep the right side of the machine closest to the wall.
- The brush shoe and brush head will swing out from the wall if they get too close to the wall. This avoids gouging the wall boards or the wall. It is possible to transverse 75 feet (the length of your cord) away from the wall outlet to which your machine is plugged in.
- Cross to the other side of the hall or room and work your way back along the opposite wall for as far as the length of the cord will allow, you have now cleaned both sides of the room.
- Next you must clean the middle, or remaining portions of the carpet.
It is best to allow for a two inch overlap on each pass to be sure you have covered all of the carpet.
- If time allows after you have completed the hallway, or the section of a large room, turn the switch to the spray **OFF**. With the brush switch and the vac switch both **ON** make high-speed passes over the carpet. The high-speed vacuuming of the extracted carpet will remove excess moisture, speed up the drying time, and set the pile, leaving a better appearance.

Note: If an extension cord is used with the Moccasin - 2022, limit it to 50 feet of 12-3 SJT.

ACCESSORY TOOLS

- 3" Upholstery Tool with attachments (Part no. BT)
- 2-Jet Stainless Steel Carpet Wand (Part no. CSW-12)
- 2-Jet Stainless Steel Stair Tool (Part no. SSW-12)
- Vac Hose and Pressure line - 15 foot (Part no. FP153)
for use with the Carpet Wand and Stair Tool
- Vac Hose and Pressure line - 10 foot (Part no. FP178)
for use with the 3" Upholstery Tool



TO ATTACH ACCESSORIES

Remove vac hose from vac shoe. Attach accessory vac hose cuff to machine vac hose. Remove spray wand water hose from machine body quick connect. Insert accessory water hose. Connect accessory vac hose and water hose to 2-jet wand, or upholstery tool, or stair tool. To operate, turn on the master switch, pump, and vac switches. Squeeze the trigger on the wand, upholstery tool or stair tool to activate the spray.

SPECIFICATIONS

General Machine Description

The Moccasin - 2022 is a self propelled carpet extraction machine. The Moccasin - 2022 is available in a 115 volt or 240 volt configuration to power the drive, vacuum, and brush motor, and the solution pump.

OPERATOR CONTROLS

All operator controls are positioned for ease of use, and include drawing icons for simplified user training.

ACCESSORY SPRAY WAND

This is a standard feature that may be used to prespray a wide area of carpet before extraction. It may also be used to apply additional cleaning solution to trouble spots while extracting.

SOLUTION TANK / RECOVERY TANK CAPACITIES

The Moccasin - 2022 has a capacity of 20 gallons of clean extraction solution. The recovery tank has a capacity of 20 gallons of dirty solution.

VACUUM MOTOR

The vacuum motor is a three stage, 1 3/4 HP bypass style, with peripheral discharge. It is enclosed in a housing to reduce noise and improve cooling airflow.

SOLUTION / PUMP FILTERS

The solution pump is a 100 PSI continuous type, three piston bypass valve style. Solution is filtered at the cloth filter when filling, and an in-line mesh filter screen at the solution tank outlet.

GEAR DRIVE MOTOR

The Moccasin - 2022 is propelled by a 1/2 HP gear reduction motor through a chain and sprocket system. Variable speed is adjusted at the operator control panel.

BRUSH MOTOR / BRUSH ASSEMBLY

The brush is driven by a 1/4 HP permanent magnet motor, via a cog belt and pulley system. The brush is a 22" wide nylon bristle, four-row chevron design. The brush housing assembly is a floating style.

SOLUTION SPRAY SYSTEM

Solution is applied to the carpet through a spray bar assembly of five evenly spaced spray tips. The spray bar is easily serviced with the quick connect solution hose and quarter-turn removable spray tips. Positive shutoff of solution flow is controlled by an in-line solenoid.

VACUUM SHOE

The vacuum shoe is a 27" wide, weighted aluminum casting that swings and swivels on a center arm, and is removable for cleaning or machine transportation by a quick disconnect mechanism.

BODY / CHASSIS

The Moccasin - 2022 has a one year warranted rotocast poly body, mounted on a steel frame, which rides on two 8" diameter wheels, with grooved non-marking rubber treads and two 4" diameter swivel casters.

SERVICE AND MAINTENANCE

OPERATOR CONTROL PANEL

All operator controls are serviced by removing the screws securing the switch control panel to the body. This switch control panel will also allow access to the brush and vacuum shoe handle linkage. If the switches, circuit breaker and variable speed control malfunction, they are not repairable, and must be replaced with new factory parts. The power cord, switches and circuit breaker are checked for proper

function by testing for continuity when in the **ON** position.

SOLUTION SPRAY JET BAR - ASSEMBLY TESTING & SERVICE

In order to clean the spray jets, you must revolve the spray jet bar from the brush housing. This is done by removing the spray jet bar to which the spray jet is attached. Disconnect the quick connect on the end of the solution hose from the quick connect on the spray jet bar. Simply pull out the spray jet bar from the brush head and reconnect the solution hose to the quick disconnect on the spray jet bar. Aim the spray jet bar at the carpet. Turn **ON** the master switch, then the spray pump. Turn the speed control to its slowest speed so the machine does not propel itself. Reach up and squeeze the deadman switch below the control handle of the machine. Solution will spray through the jets onto the carpet. This will tell you if all the spray jets are clean. If one of the jets is not spraying, push in on the spray tip and turn it counterclockwise and remove it from the spray jet bar. Reattach by reinserting the tip and turning it clockwise.

Dried solution is the usual cause of clogged jets. Rinse them with warm water. If you happen to have a clean bucket handy, you can also put some white vinegar in the bucket and soak the jets for a few minutes to clean them. If an insoluble material is plugging the jets, use a wooden toothpick to clean the clogged jet. Do not use a knife or other sharp object - sharp objects will distort the spray pattern.

BRUSH MOTOR / BRUSH ASSEMBLY / BELT

The brush motor, brush assembly and belt are serviced by removing both parts of the plastic two-piece brush housing cover.

The brush drive belt tension is adjusted by first loosening the brush motor mounting hex nuts. Slide the motor toward the brush to decrease the tension, and away from the brush to increase the tension. When the motor is in the proper position, the drive belt should have 1/4" to 3/8" deflection midway between the motor and brush pulley.

To replace the brush drive belt, you must remove the brush shaft mounting screw at the pulley end and loosen the screw at the opposite end. Install the new belt on the pulleys, replace and tighten the brush shaft mounting screws, and adjust the belt tension.

Bristles will wear to the point where there is not enough agitation of the carpet. The nylon roller wheel can be raised to angle the brush deeper into the carpet. Remove the roller axle that attaches the roller wheel from its holding bracket, and reinstall the axle into the upper holes in the bracket.

WARNING

Do not use the upper roller axle position with a new or nearly new brush. This will force the brush to an exaggerated down position, overload the circuit breaker, and damage the brush drive motor.

The brush motor is protected by a circuit breaker mounted on the control panel. The circuit breaker will fail (pop-up) when the brush motor is overloaded. When the circuit breaker "overloads" the stem will pop up to expose the white portion of the shaft. Unplug the machine. Prior to resetting the circuit breaker, you must inspect the brush assembly for obstructions such as foreign objects, strings around the brush shaft or "frozen" bearings. Reset the circuit breaker by pushing down on the stem until it "clicks" into the **ON** position.

Adjustment or replacement of the brush assembly requires removing both brush shaft mounting screws, allowing the brush assembly to be removed from the housing. When installing the brush assembly, do not over tighten the shaft screws. This will prevent binding of the brush assembly.

Replacement of the brush drive motor (no service parts avail.) requires the removal of the mounting hex nuts and wires to the rectifier and ground wire. Adjust the drive belt tension after replacing the motor.

WARNING

Refer to the wiring diagram for proper wiring of the replacement motor and recifier. Incorrect wiring can cause personal injury and machine damage.

SOLUTION FILTER

Clean solution must pass through an in-line mesh filter prior to entering the solution pump. This filter is mounted externally under the right / rear side of the solution tank (body). To remove the screen for cleaning you must first disconnect the hex nut of the solution hose, and then turn the lower half of the filter 1/8 of a turn counterclockwise. Remove the lower half of the filter, and mesh screen to clean.

CAUTION

If there is any clean solution in the tank it will drain out at this time. Reassemble and check for leaks.

VACUUM SHOE

The vacuum shoe is attached to the machine by a single point connect mount. The mounting swings freely on a bearing with a nylon bushing. The intake of the vacuum shoe must be kept clean to ensure proper airflow of extracted liquids. The rear cover plate may be removed to allow for a detailed interior cleaning.

ACCESSORY SOLUTION OUTLET

The quick connect accessory solution outlet, located at the rear of the machine and to the left (to which the accessory spray wand hose is connected), can be used when the spray wand solution hose is disconnected for stair, upholstery and 2-jet wand cleaning. To use any of the accessory kits, remove the quick connect from the spray wand and insert the solution hose which is part of any of the accessory kits. Solution from the solution tank is supplied to this outlet when the solution pump is **ON**, but will only dispense solution when the trigger of the upholstery, stair tool or t2-jet wand are squeezed in the **ON** position.

WHEELS / CASTERS/ INTERNAL COMPONENTS

The 8" wheels have a clutch-type bearing. This style of bearing allows the Moccasin 2022 to be pushed forward, without the use of the drive motor. When installed, the 8" wheel will rotate freely when turned toward the front of the machine (clockwise on the right - counterclockwise on the left).

The swivel casters provide maneuverability and stable control of the Moccasin - 2022. The swivel and wheel bearings must be lubricated on a regular basis to ensure trouble-free operation. You should use a non-water soluble grease for lubrication.

The drive motor, vacuum motor, solution pump and solenoid are located inside the body of the Moccasin - 2022. To gain access to these components, you must complete the following procedures:

- Disconnect the power cord from the wall.
- Empty all liquids from the solution tank and recovery tanks.
- Disconnect the solution hose from the in-line solution filter, at the right side of the body.
- Remove the vacuum hose from the vacuum shoe. Disconnect the vacuum shoe lift cable from the cable bracket.
- Locate the mounting bolts for the swivel casters. Remove only the rear / outer bolts. This will disconnect the rear of the main body from the chassis.
- Lift the rear of the machine body to tilt forward for access (the prop rod that holds up the machine is under the solution tank).

DRIVE MOTOR / DRIVE CHAIN ADJUSTMENT AT THE FRONT OF THE MACHINE

The propulsion drive motor is mounted at the front of the chassis, and secured by four hex bolts. Access to this motor, and to the drive chain for chain tension adjustment and lubrication is from underneath the machine (at the front of the machine).

The drive chain tension should be checked every 90 days and adjusted if necessary. To adjust the drive chain tension, you must first loosen the four hex bolts in the chassis slots under the propulsion motor. Slide the motor forward to decrease, or backward to increase the chain tension.

The drive chain should be lubricated every 90 days with a penetrating moisture resistant lubricant. **DO NOT** lubricate the chain when the machine is on a carpeted surface. Wipe off any excess lubricant before operating the machine.

The propulsion motor and gear box have no service parts, and must be replaced as a single unit

VACUUM MOTOR

The vacuum motor is enclosed in a plastic housing, to reduce motor noise and improve the exhaust and cooling airflow. To service or replace the vacuum motor, you must remove the cooling air intake and the upper vacuum housing.

SOLUTION PUMP / SOLENOID

The solution pump is mounted at the rear of the chassis, and secured to a mounting plate by four screws.

Eventually, the pump bypass valves may become weak or brittle during normal use (normal wear and tear), as a result of being attacked by chemicals used in the cleaning process. The result will be a drop in the pump output pressure. Pump pressure is restored by replacement of the bypass valve kit (part number 7351) or by replacement of the pump (part no. 7041).

The electric solenoid provides a positive cutoff of solution flow to the spray jet bar assembly. The solenoid is activated (**ON**) when the deadman lever is lifted during operation.

If the solution pump does not supply solution at the spray jet bar due to an air lock in the solution hose, you must clear the solution hose in the following manor:

- Plug the machine into an electrical outlet.
- The solution tank should have liquid in it and the in-line filter screen should be clean.
- Turn **ON** the master switch and the spray switch.
- Stand at the side of the machine and depress the pin in the center of the accessory quick disconnect. The pump will push solution and air out of the quick connect. To purge the solution lines, run the pump for 30 seconds, or until the solution flows smoothly.
- Recheck the spray output at the spray jet bar assembly.

COMMON STAINS AND CLEANING TREATMENTS

TREATMENT METHODS

First: Remove excess material by blotting to absorb liquids, or by scraping with a dull edged (butter knife) if the material is a solid.

Second: Clean the remaining stain as directed by the chart below. Always follow the direction on the container. Apply the cleaning material directly to the stain (avoid over wetting the carpet or upholstery), then remove the loosened stain material with a white absorbent cloth or tissue.

Third: When the carpet is dry, gently brush the carpet pile to restore its appearance.

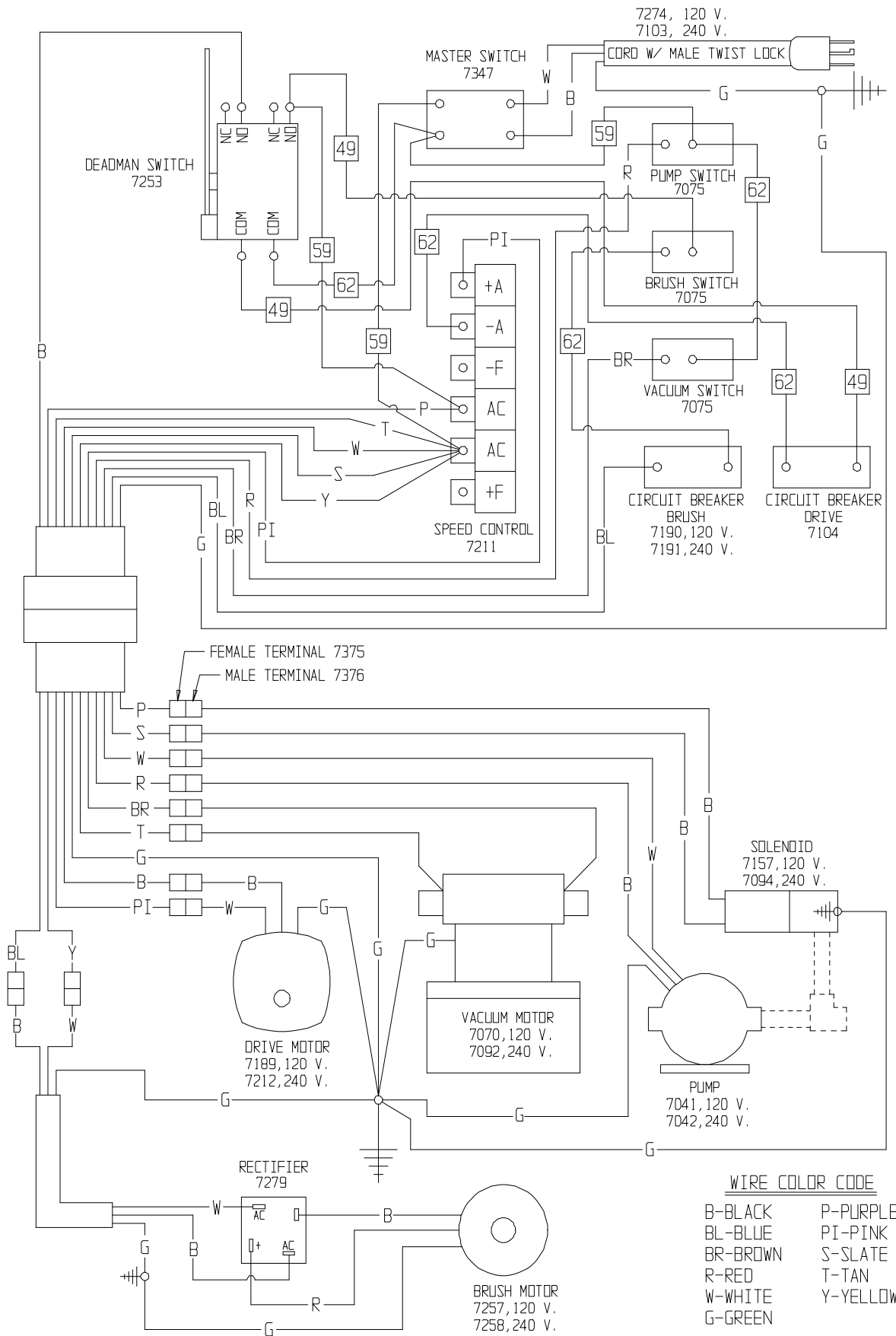
Note: Treat unknown stains with a volatile solvent first and follow with other agents as required. If you are uncertain of the effect of the cleaning agent on the carpet fiber or die test on an inconspicuous area first.

STAIN TYPE

TREATMENT MATERIAL

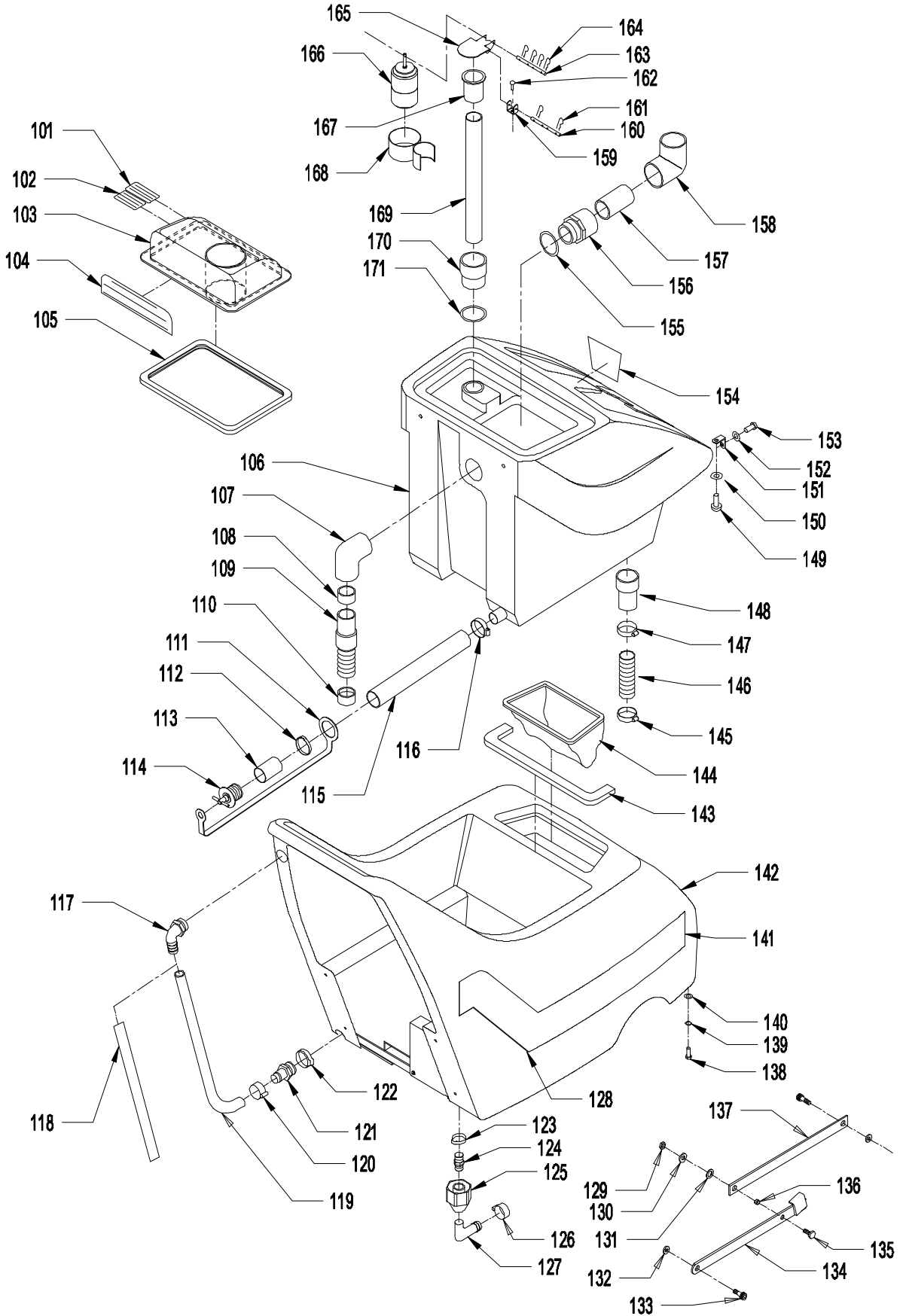
Asphalt	Volatile solvent/detergent
Beer	Liquid detergent, White vinegar
Berry stain	Liquid detergent, Ammonia 3-6%, Water
Bleach	Liquid detergent, Water
Blood (dried)	Warm detergent, Ammonia 3-6%, Water
Blood (wet)	Liquid detergent, Water
Butter	Volatile solvent
Catsup or Mustard	Liquid detergent
Chewing gum	Volatile solvent
Chocolate	Liquid detergent, Ammonia water
Coffee	Detergent, White vinegar, Volatile solvent
Cola drink	Liquid detergent
Creme de Menthe (green)	Liquid detergent
Egg (raw)	Liquid detergent
Food dye	Liquid detergent, Water
Furniture dye or polish	Paint/Oil/Grease remover, Detergent
Gravy	Liquid detergent
Lipstick	Paint/Oil/Grease remover
Mascara	Paint remover, Volatile solvent, Detergent, Water
Milk	Liquid detergent
Orange drink	Liquid detergent, Water
Shoe polish	Heated iron into clean towel, Volatile solvent
Tea	Liquid detergent
Tomato Juice	Liquid detergent
Urine	Liquid detergent, Water
Vomit	Warm detergent, Water, White vinegar
Wine	Liquid detergent, Ammonia 3-6%, Water, Vinegar

WIRING DIAGRAM



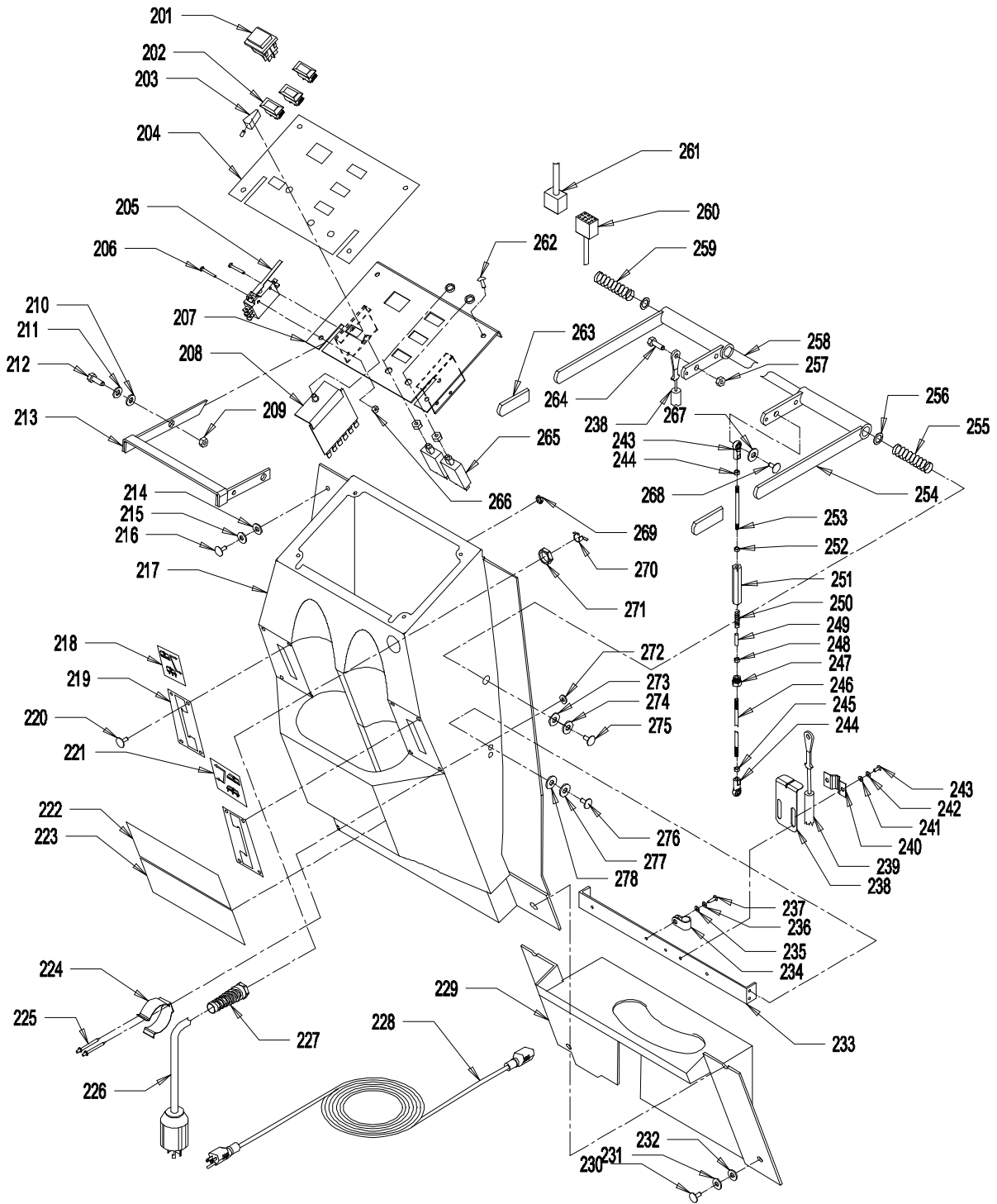
ITEM	USP NO	PART DESCRIPTION	QTY.
	7267	DOME ASSEMBLY INCLUDES ITEMS 101 TO 104	1
101	7272	DEFOAMER LABEL - LABEL SET	1
102	7272	YELLOW FLAP LABEL - LABEL SET	1
103	7182	CLEAR PLASTIC DOME	1
104	7272	DOME INSTRUCTIONS LABEL - LABEL SET	1
105	7232	DOME GASKET	1
106	7275	RECOVERY TANK - WHITE	1
107	7384	90 DEGREE ELBOW PVC - 1 1/2 FSL X 1 1/2 FPT - INCL. TUBE	1
108	7084	TUBE	1
109	7242	HOSE - VAC SHOE TO RECOVERY	1
110	7017	END CUFF	1
111	7027	PLUG STRAP	1
112	7383	TUBE HOSE CLAMP - CRIMP ON TYPE	1
113	7011	HOSE TUBE	1
114	7029	DRAIN PLUG	1
115	7065	DRAIN HOSE - RECOVERY TANK	1
116	7116	HOSE CLAMP - 1 1/16" TO 2"	1
117	7183	ELBOW - 3/4 MPT X 3/4 HOSE BARB	1
118	7377	SOLUTION GAUGE	1
119	7243	HOSE - SOLUTION TANK DRAIN	1
120	7015	HOSE CLAMP - 11/16" TO 1 1/4"	1
121	7239	DRAIN FITTING	1
122	7249	DRAIN HOSE CLAMP	1
123	7250	FILTER SOLUTION TANK CLAMP	1
124	7207	REDUCER - 1/2 MPT X 3/8 MPT NYLON	1
125	7205	SOLUTION FILTER - 1/2 FPT X 1/2 MPT	1
126	7115	HOSE CLAMP - 1/4" TO 13/16"	1
127	7206	ELBOW - 1/2 FPT SWIVEL X 3/8 BARB	1
128	7272	RIGHT SIDE LABEL - LABEL SET	1
129	7316	1/4-20 HEX NUT WITH NY-LOK INSERT	1
130	14	9/32 I.D. X 5/8 O.D. X .051/.080 THICK FLAT WASHER (1/4)	1
131	7378	3/8 SPRING WASHER	1
132	7379	11/32 I.D. X 11/16 O.D. X .051/.080 THICK FLAT WASHER (5/16)	2
133	7244	3/8 X 3/4 SHOULDER SCREW	2
134	7380	LOWER PROP ROD	1
135	7324	1/4-20 X 5/8 HEX BOLT	1
136	7381	SPACER	1
137	7382	UPPER PROP ROD	1
138	7332	5/16-18 X 5/8 HEX BOLT	1
139	7329	5/16 SPLIT LOCK WASHER	1
140	7327	3/8 I.D. X 7/8 O.D. X .064/.104 THICK FLAT WASHER (5/16)	1
141	7272	STRAIGHT SIDE LABEL - LABEL SET	1
142	7169	SOLUTION TANK	1
143	7284	1/2" X 1" GASKET	1
144	7061	SOLUTION TANK FILTER	1
145	7116	HOSE CLAMP - 1 1/16" TO 2"	1
146	7241	HOSE - RECOVERY TANK TO VAC MOTOR	1
147	7116	HOSE CLAMP - 1 1/16" TO 2"	1
148	7067	HOSE BARB	1
149	7322	1/4-20 X 5/8 ROUND HEAD PHILLIPS MACHINE SCREW	1
150	7319	1/4 EXTERNAL STAR LOCK WASHER	1
151	7099	HOLD DOWN BRACKET	1
152	7319	1/4 EXTERNAL STAR LOCK WASHER	1
153	7322	1/4-20 X 5/8 ROUND HEAD PHILLIPS MACHINE SCREW	1
154	7272	U.S. PRODUCTS LOGO LABEL - LABEL SET	1
155	7038	DRAIN VALVE GASKET	1
156	7066	ADAPTER - 1 1/2 FSL X 1 1/2 MPT	1
157	7238	RECOVERY TANK TUBE	1
158	7083	ELBOW - 1 1/2 FSL X 1 1/2 FTT	1
159	7231	FLOAT MOUNT BRACKET	1
160	7069	FLOAT PIN	1
161	7096	COTTER PIN	2
162	7299	10-24 X 3/4 ROUND HEAD PHILLIPS MACHINE SCREW	1
163	7096	COTTER PIN	4
164	7069	FLOAT PIN	1
165	7068	SHUT OFF PLATE	1
166	7059	FLOAT ASSEMBLY	1
167	7195	FLOAT GUIDE	1
168	7057	LINT SCREEN	1
169	7214	VACUUM STACK	1
170	7066	ADAPTER - 1 1/2 FSL X 1 1/2 MPT	1
171	7101	"O" RING - 1 7/8 I.D. X 2 1/8 O.D.	1

SOLUTION / RECOVERY TANKS



ITEM NO.	USP NO.	PART DESCRIPTION	QTY.
201	7347	MASTER POWER SWITCH, - 120 AND 240 VOLT	1
202	7075	ROCKER SWITCH - SPRAY VACUUM BRUSH	3
203	7282	KNOB WITH SET SCREW	1
204	7272	SWITCH CONTROL PANEL LABEL - LABEL SET	1
205	7253	LIMIT SWITCH, DEADMAN LEVER	1
206	7286	6-32 X 1 ROUND HEAD PHILLIPS MACHINE SCREW	2
207	7227	SWITCH CONTROL PANEL	1
208	7211	SPEED CONTROL WITH KNOB - 120 AND 240 VOLT	1
209	16	6-32 HEX NUT WITH STAR LOCK WASHER	2
210	7025	BUSHING SPACER	2
211	14	9/32 I.D. X 5/8 O.D. X .051/.080 THICK SAE FLAT WASHER (1/4)	2
212	7325	1/4-20 X 3/4 HEX BOLT	2
213	7200	DEADMAN LEVER	1
214	7318	5/16 I.D. X 3/4 O.D. X .051/.080 THICK FLAT WASHER (1/4) (WROUGHT)	2
215	7319	1/4 EXTERNAL STAR LOCK WASHER	4
216	7323	1/4-20 X 1/2 TRUSS HEAD PHILLIPS MACHINE SCREW	4
217	7176	CONTROL PANEL HOUSING	1
218	7272	RAISE / LOWER BRUSH LABEL - LABEL SET	1
219	7215	LIFT LEVER GUIDE PLATE	2
220	7297	10-24 X 1/2 ROUND HEAD PHILLIPS MACHINE SCREW	8
221	7272	RAISE / LOWER VAC SHOE LABEL - LABEL SET	1
222	7272	WARNING LABEL - LABEL SET	1
223	7272	GROUNDING LABEL - LABEL SET	1
224	7014	HOSE CLIP	1
225	7012	1/8 X 5/8 POP RIVET	2
226	7274	STUB CORD WITH MALE TWIST LOCK PLUG, 120 VOLT	1
	7103	STUB CORD WITH MALE TWIST LOCK PLUG, 240 VOLT	1
227	7001	CORD STRAIN RELIEF	1
228	7273	POWER CORD 75 FEET 120 VOLT - BLACK	1
	7263	POWER CORD 75 FEET 240 VOLT	1
229	7221	LOWER REAR PANEL	1
230	7323	1/4-20 X 1/2 TRUSS HEAD PHILLIPS MACHINE SCREW	2
231	7319	1/4 EXTERNAL STAR LOCK WASHER	2
232	7318	5/16 I.D. X 3/4 O.D. X .051/.080 THICK FLAT WASHER (1/4) (WROUGHT)	2
233	7251	CLAMP BRACKET	1
234	7280	NYLON CABLE CLAMP	1
235	7295	7/32 I.D. X 1/2 O.D. X .032/.065 THICK SAE FLAT WASHER (#10)	1
236	7291	#10 SPLIT LOCK WASHER	1
237	7297	10-24 X 1/2 ROUND HEAD PHILLIPS MACHINE SCREW	1
238	7199	BRUSH LIFT CABLE ADJUSTMENT BRACKET	1
239	7197	LIFT CABLE BRUSH HOUSING	1
240	7074	CABLE CLAMP	1
241	7295	7/32 I.D. X 1/2 O.D. X .032/.065 THICK SAE FLAT WASHER (#10)	2
242	7372	#10 EXTERNAL STAR LOCK WASHER	2
243	7373	10-24 X 5/8 ROUND HEAD SLOT MACHINE SCREW	2
244	7047	3/8 BALL JOINT	2
245	7336	3/8-24 HEX NUT	2
246	7018	LIFT ROD, MEDIUM	1
247	7021	RETAINER	1
248	7339	3/8-16 HEX NUT WITH NY-LOK INSERT	1
249	7348	PIVOT SPACER	1
250	7178	PRESSURE SPRING	1
251	7020	SPRING HOUSING	1
252	7335	3/8-16 HEX NUT	1
253	7019	LIFT ROD, SHORT	1
254	7177	VAC SHOE PRESSURE ROD ASSEMBLY	1
	7217	LIFT LEVER, VAC SHOE - BRUSH HOUSING	2
255	7037	LIFT LEVER SPRING - BRUSH	1
256	7006	.516 I.D. X .813 O.D. X .027/.030 THICK FLAT WASHER	2
257	7374	10-24 HEX NUT WITH NYLOK INSERT	1
258	7213	LIFT LEVER PILOT	1
259	7024	LIFT LEVER SPRING - VAC SHOE	1
260	7259	CORD, CONNECTOR TO BASE COMPONENTS	1
261	7260	CORD, SWITCH CONTROL PANEL TO CONNECTOR	1
262	7312	10-32 X 1/2 TRUSS HEAD PHILLIPS MACHINE SCREW	4
263	7008	LIFT LEVER GRIP	2
264	7342	3/8-16 X 1 HEX BOLT	1
265	7190	CIRCUIT BREAKER 3 AMP, 115 VOLT	1
	7104	CIRCUIT BREAKER 1 AMP, 115 AND 240 VOLT	1
	7191	CIRCUIT BREAKER 1.5 AMP, 240 VOLT	1

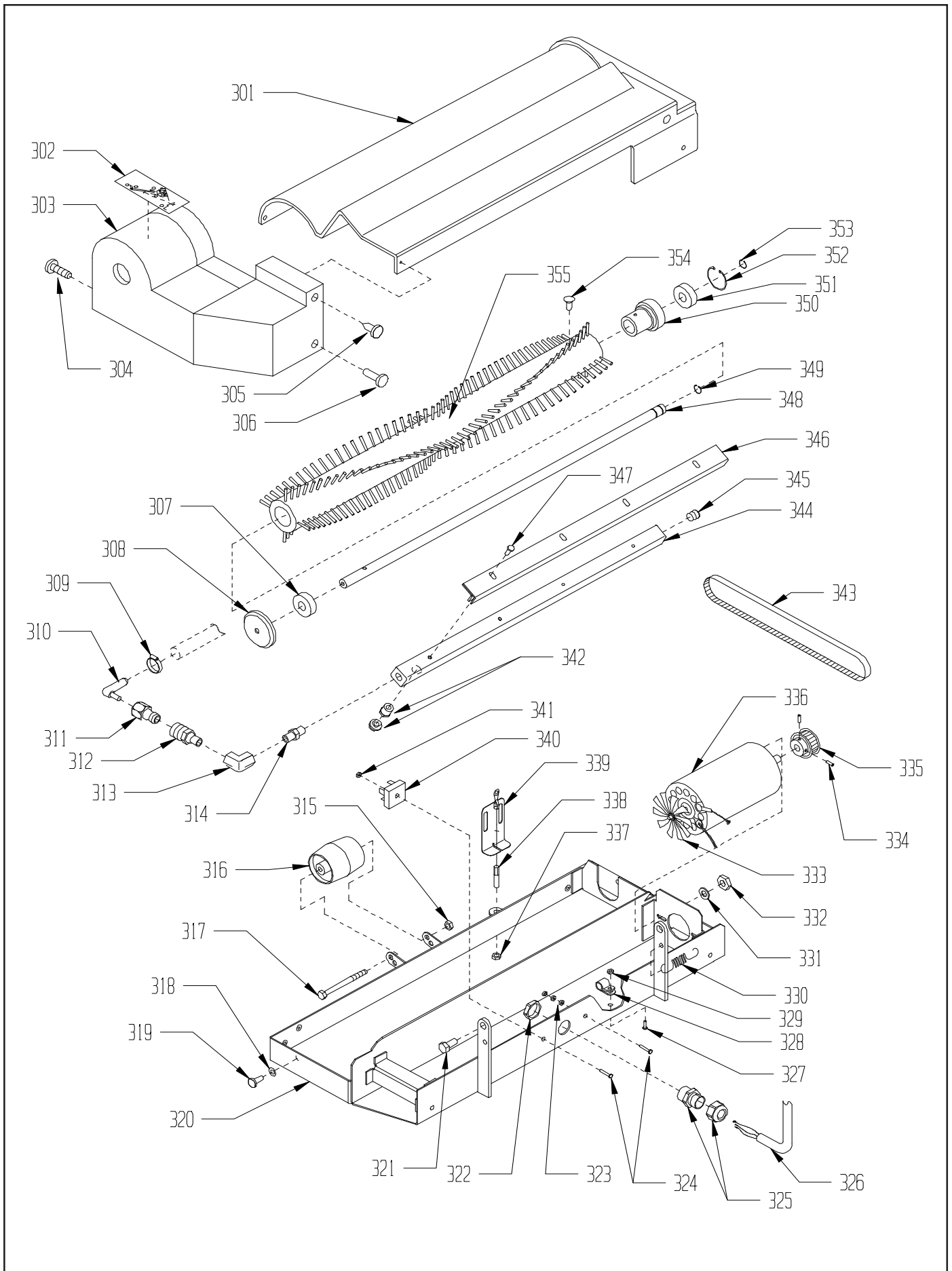
CONTROL PANEL



266	16	6-32 HEX NUT WITH STAR LOCK WASHER	2
267	7338	3/8 SPLIT LOCK WASHER	1
268	7342	3/8-16 X 1 HEX BOLT	1
269	7294	10-24 HEX NUT WITH STAR LOCK WASHER	8
270	7002	STRAIN RELIEF CORD CLAMP	1
271	7005	STRAIN RELIEF NUT, PLASTIC	1
272	7278	#6 FLAT WASHER	2
273	7318	5/16 I.D. X 3/4 O.D. X .051/.080 THICK FLAT WASHER (1/4) (WROUGHT)	1
274	7319	1/4 EXTERNAL STAR LOCK WASHER	1
275	7323	1/4-20 X 1/2 TRUSS HEAD PHILLIPS MACHINE SCREW	1
276	7297	10-24 X 1/2 ROUND HEAD PHILLIPS MACHINE SCREW	5
277	7291	#10 SPLIT LOCK WASHER	1
278	7295	7/32 I.D. X 1/2 O.D. X .032/.065 THICK SAE FLAT WASHER (#10)	4

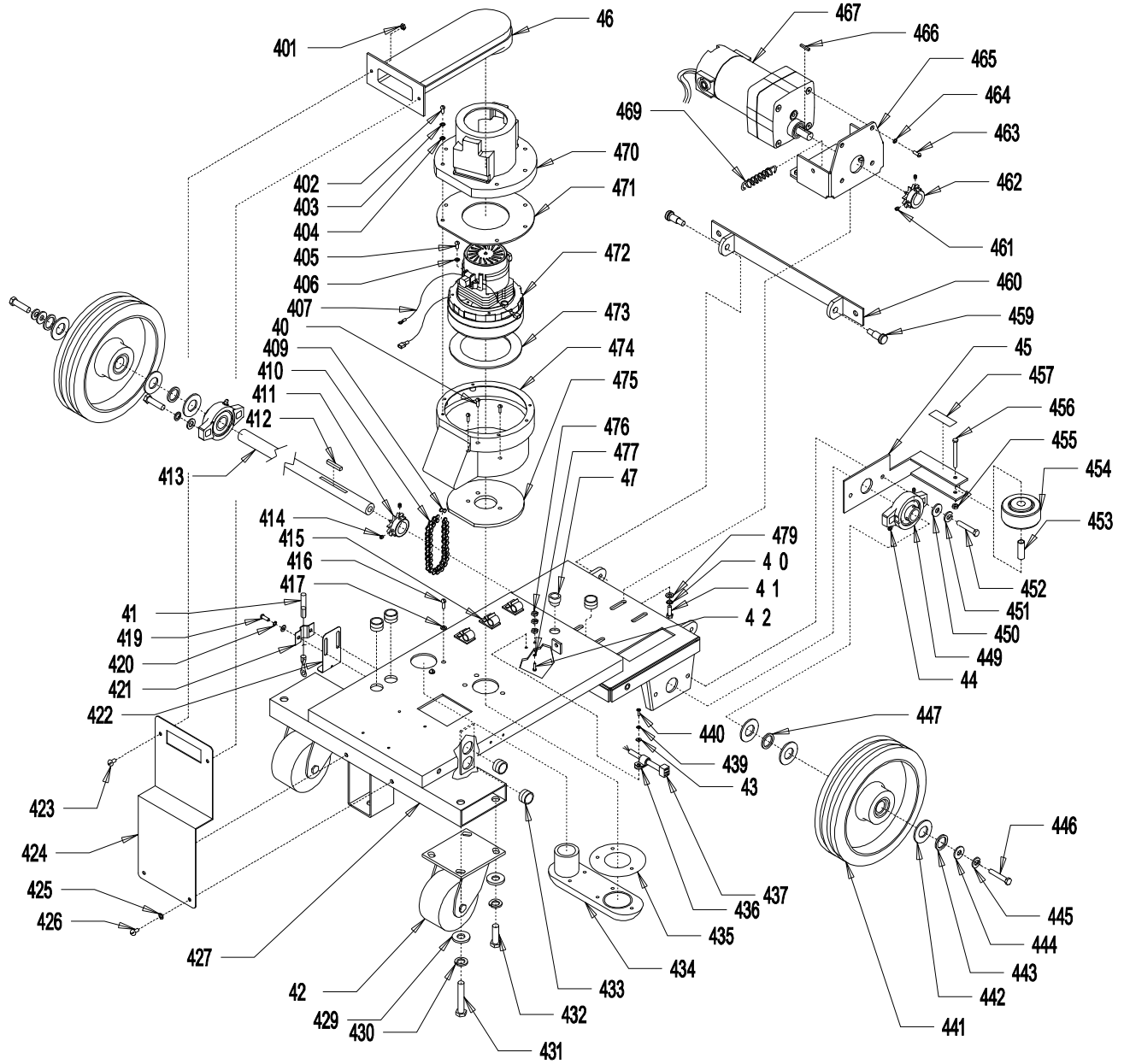
ITEM NO	USP NO.	PART DESCRIPTION	QTY.
301	7181	BRUSH COVER, LONG	1
302	7272	SPRAY BAR LABEL - LABEL SET	1
303	7245	BRUSH COVER, SHORT	1
304	7303	10-24 X 3/8 TRUSS HEAD PHILLIPS MACHINE SCREW	3
305	7314	10 X 1/2 PAN HEAD PHILLIPS SHEET METAL SCREW	1
306	7304	10-24 X 1/2 TRUSS HEAD PHILLIPS MACHINE SCREW	2
307	7007	BEARING	1
308	7174	THREAD GUARD	1
309	7115	HOSE CLAMP, 3/4"	1
310	7026	90° HOSE BARB 3/8 X 1/4 NPTM	1
311	7255	MALE QUICK CONNECT	1
312	7254	FEMALE QUICK CONNECT	1
313	7039	1/4 ELBOW 90°	1
314	7040	1/4 HEX NIPPLE, BRASS	1
315	7316	1/4-20 HEX NUT WITH NY-LOK INSERT	1
316	7271	ROLLER WHEEL	1
317	7225	1/4-20 X 3 HEX BOLT (ROLLER AXLE)	1
318	7319	1/4 EXTERNAL STAR LOCK WASHER	2
319	7320	1/4-20 X 5/8 TRUSS HEAD PHILLIPS MACHINE SCREW	2
320	7180	BRUSH HOUSING FRAME	1
321	7244	3/8 X 3/4 SHOULDER SCREW	2
322	7081	STRAIN RELIEF NUT	1
323	7294	10-24 HEX NUT WITH STAR LOCK WASHER	3
324	7299	10-24 X 3/4 ROUND HEAD PHILLIPS MACHINE SCREW	2
325	7081	STRAIN RELIEF, INCLUDES NUT	1
326	7216	BRUSH MOTOR POWER CORD	1
327	7304	10-24 X 1/2 TRUSS HEAD PHILLIPS MACHINE SCREW	1
328	7280	NYLON CABLE CLAMP	1
329	7294	10-24 HEX NUT WITH STAR LOCK WASHER	1
330	7184	ADJUSTING WHEEL SPRING	1
331	7295	7/32 I.D. X 1/2 O.D. X .032/.065 THICK SAE FLAT WASHER (#10)	2
332	17	10-32 HEX NUT WITH STAR LOCK WASHER	2
333	7264	BRUSH DRIVE MOTOR FAN INCLUDES SET SCREW	1
334	7308	10-32 X 3/4 SET SCREW - CUP POINT	2
335	7204	BRUSH DRIVE MOTOR PULLEY	1
336	7257	BRUSH DRIVE MOTOR, 120 VOLT	1
	7258	BRUSH DRIVE MOTOR, 240 VOLT	1
337	8	1/4-20 HEX NUT WITH NY-LOK INSERT	1
338	7197	BRUSH HOUSING LIFT CABLE	1
339	7199	BRUSH LIFT CABLE ADJUSTMENT BRACKET	1
340	7279	RECTIFIER	1
341	7294	10-24 HEX NUT WITH STAR LOCK WASHER	1
342	7224	SPRAY TIP WITH BODY	5
	7226	SPRAY TIP ONLY (8001)	5
	7109	SPRAY TIP SEAL GASKET, "0" RING	5
	7095	BODY ONLY	1
343	7203	BRUSH DRIVE BELT	1
344	7171	SPRAY BAR	1
345	7016	1/4 PIPE PLUG	1
346	7233	SPRAY BAR GUIDE	1
347	7304	10-24 X 1/2 TRUSS HEAD PHILLIPS SCREW	4
348	7173	BRUSH AXLE	1
349	7261	RETAINING RING	1
350	7172	BRUSH PULLEY	1
351	7007	BEARING	1
352	7033	RETAINING RING	1
353	7261	RETAINING RING	1
354	7310	10-32 X 5/8 FLAT HEAD PHILLIPS MACHINE SCREW	2
355	7170	BRUSH ONLY	1
	7268	BRUSH ASSEMBLY	1

BRUSH HOUSING



ITEM NO.	USP NO.	PART DESCRIPTION	QTY.
401	7294	10-24 HEX NUT WITH STAR LOCK WASHER	2
402	7311	10-32 X 1/2 PHILLIPS ROUND HEAD SCREW	6
403	7291	#10 SPLIT LOCK WASHER	6
404	7295	7/32 I.D. X 1/2 O.D. X .032/.065 THICK SAE FLAT WASHER (#10)	6
405	7306	10-24 X 3/8 PAN HEAD PHILLIPS THREAD CUTTING SCREW	1
406	7291	#10 SPLIT LOCK WASHER	1
407	7262	VAC MOTOR GROUND WIRE	1
408	7310	10-32 X 5/8 PHILLIPS FLAT HEAD SCREW	3
409	7220	MASTER LINK	1
410	7222	DRIVE CHAIN WITH MASTER LINK, 34 1/2 LINKS	1
411	7194	SPROCKET, DRIVE AXLE, 18 TEETH	1
412	7247	DRIVE AXLE KEY	1
413	7187	DRIVE AXLE	1
414	7315	1/4-20 X 3/8 SET SCREW	2
415	7022	WIRE, KWIK CLIP	3
416	7311	10-32 X 1/2 PHILLIPS ROUND HEAD SCREW	1
417	7291	#10 SPLIT LOCK WASHER	1
418	7197	BRUSH HOUSING LIFT CABLE	1
419	7297	10-24 X 1/2 ROUND HEAD PHILLIPS MACHINE SCREW	2
420	7291	#10 SPLIT LOCK WASHER	2
421	7074	CABLE CLAMP	1
422	7199	BRUSH LIFT CABLE ADJUSTMENT BRACKET	1
423	7296	10-24 X 3/8 ROUND HEAD PHILLIPS MACHINE SCREW	2
424	7240	AIR INTAKE SUPPORT	1
425	7291	#10 SPLIT LOCK WASHER	2
426	7296	10-24 X 3/8 ROUND HEAD PHILLIPS MACHINE SCREW	2
427	7186	MAIN FRAME, CHASSIS	1
428	7046	SWIVEL CASTER COMPLETE	2
429	7340	13/32 I.D. X 13/16 O.D. X .051/.080 THICK WASHER (WROUGHT) (3/8)	8
430	7338	3/8 SPLIT LOCK WASHER	8
431	7334	5/16-18 X 1 3/4 HEX BOLT	2
432	7342	3/8-16 X 1 HEX BOLT	6
433	7072	SNAP IN BUSHING	5
434	7055	VAC INTAKE TUBE	1
435	7073	GASKET, VAC INTAKE TO CHASSIS	1
436	7280	NYLON CORD CLAMP	1
437	7259	CORD, CONNECTOR TO BASE	1
438	7295	7/32 I.D. X 1/2 O.D. X .032/.065 THICK SAE FLAT WASHER (#10)	1
439	7291	#10 SPLIT LOCK WASHER	1
440	7297	10-24 X 1/2 ROUND HEAD PHILLIPS MACHINE SCREW	1
441	7366	DRIVE WHEEL ASSEMBLY	2
	7367	8" WHEEL WITH GROOVES	2
	7368	BEARING, WHEEL, CLUTCH	2
	7369	BUSHING, WHEEL, PLATED	4
442	7235	NYLON WASHER	6
443	7234	THRUST WASHER	2
444	7340	13/32 I.D. X 13/16 O.D. X .051/.080 THICK WASHER (WROUGHT) (3/8)	2
445	7338	3/8 SPLIT LOCK WASHER	2
446	7342	3/8-16 X 1 HEX BOLT	2
447	7237	CURVED SPRING WASHER	2
448	7326	1/4-28 X 1/4 SET SCREW	4
449	7172	BEARING, DRIVE AXLE	2
450	7327	3/8 I.D. X 7/8 O.D. X .064/.104 THICK FLAT WASHER (5/16)	2
451	7329	5/16 SPLIT LOCK WASHER	2
452	7333	5/16-18 X 1 1/4 HEX BOLT	2
453	7281	AXLE SPACER, BUMPER WHEEL	1
454	7023	BUMPER WHEEL	1
455	7339	3/8-16 HEX NUT WITH NY-LOK INSERT	1
456	7337	3/8-16 X 2 1/2 HEX BOLT	1
457	7272	BUMPER BRACKET LABEL - LABEL SET	1
458	7246	BUMPER WHEEL BRACKET	1
459	7244	3/8 X 3/4 SHOULDER SCREW	2
460	7248	HINGE BRACKET	1
461	7307	10-24 X 1/4 SET SCREW	2
462	7196	SPROCKET, GEAR DRIVE MOTOR, 12 TEETH	1
463	7311	10-32 X 1/2 PHILLIPS ROUND HEAD SCREW	4
464	7291	#10 SPLIT LOCK WASHER	4
465	7066	MOUNTING BRACKET, GEAR DRIVE MOTOR	1
466	7370	1/8 X 1/2 DRIVE MOTOR KEY	1

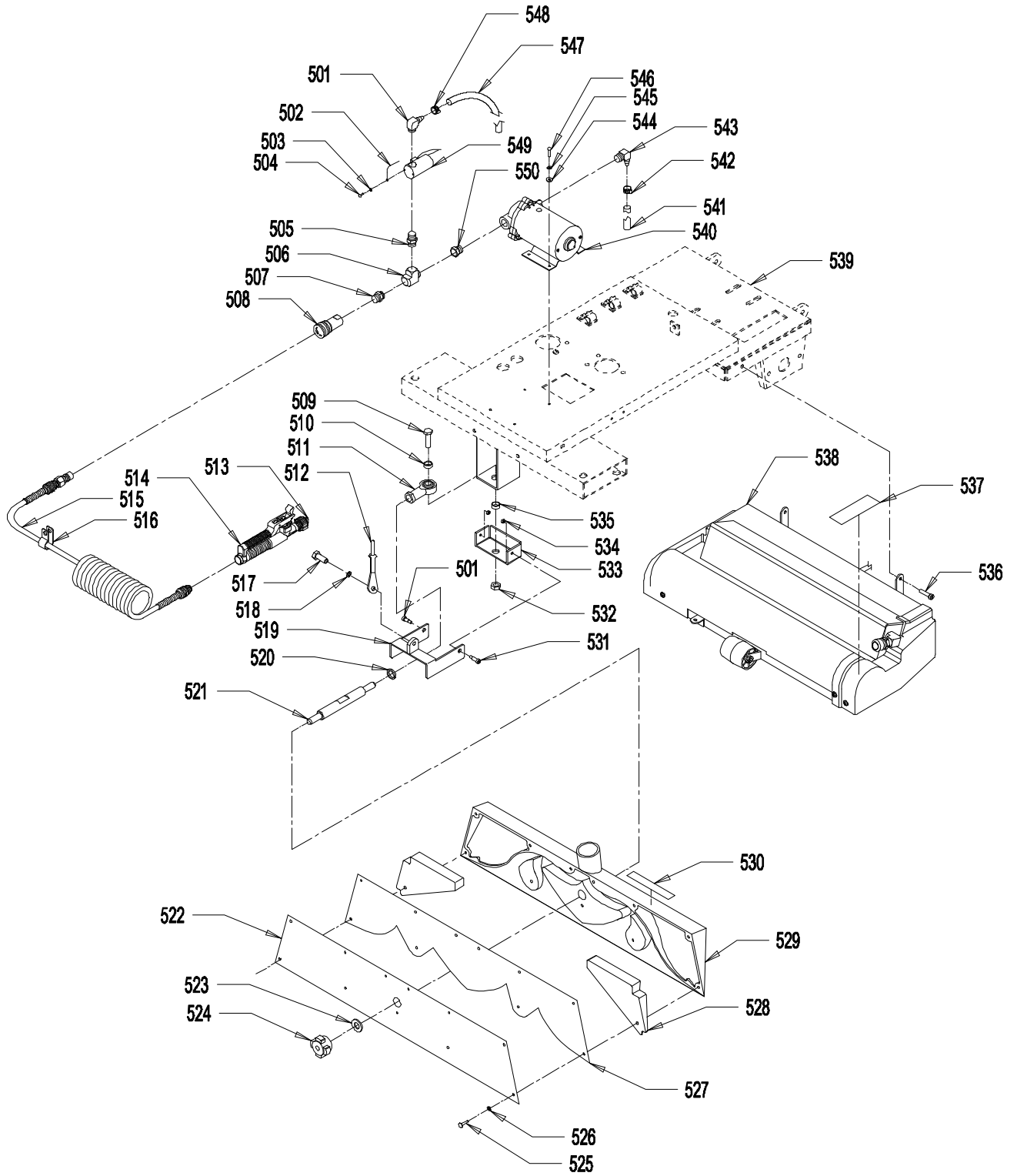
CHASSIS



467	7371	GEAR DRIVE MOTOR 120 VOLT	1
	7212	GEAR DRIVE MOTOR 240 VOLT	1
468	7053	COOLING DUCT, VAC MOTOR	1
469	7184	ADJUSTING WHEEL TENSION SPRING	1
470	7052	VAC MOTOR SPLASH COVER	1
471	7071	VAC MOTOR GASKET, UPPER	1
472	7070	VAC MOTOR ASSEMBLY, 120 VOLT	1
	7092	VAC MOTOR ASSEMBLY, 240 VOLT	1
473	7049	VAC MOTOR GASKET, LOWER	1
474	7054	VAC MOTOR EXHAUST CHAMBER	1
475	7100	GASKET, EXHAUST CHAMBER TO CHASSIS	1
476	7294	10-24 HEX NUT WITH STAR LOCK WASHER	3
477	7291	#10 SPLIT LOCK WASHER	1
478	7091	HEYCO STRAIN RELIEF	1
479	14	9/32 I.D. X 5/8 O.D. X .051/.080 THICK SAE FLAT WASHER (1/4)	1
480	137	1/4 SPLIT LOCK WASHER	1
481	7324	1/4-20 X 3/8 HEX BOLT	1
482	7299	10-24 X 3/4 ROUND HEAD PHILLIPS MACHINE SCREW	1

ITEM NO.	USP NO.	PART DESCRIPTION	QTY.
501	7026	90° HOSE BARB 3/8 X 1/4 NPTM	1
502	7262	GROUND WIRE, SOLENOID VALVE	1
503	7287	#8 INTERNAL STAR LOCK WASHER	1
504	7289	8-32 X 3/8 ROUND HEAD PHILLIPS MACHINE SCREW	1
505	7040	1/4 HEX NIPPLE, BRASS	1
506	7043	1/4 NPT STREET "T"	1
507	7040	1/4 HEX NIPPLE, BRASS	1
508	7035	FEMALE QUICK CONNECT, ACCESSORY SOLUTION	1
509	7345	1/2-13 X 2 1/14 HEX BOLT	1
510	7009	PIVOT SPACER	1
511	7013	BALL JOINT, VAC SHOE PIVOT	1
512	7197	LIFT CABLE, BRUSH HOUSING	1
513	7230	SPRAY TIP	1
514	7252	ACCESSORY SPRAY GUN ONLY	1
	7270	ACCESSORY SPRAY GUN WITH HOSE	1
515	7276	SOLUTION HOSE FOR SPRAY GUN	1
516	7082	CORD CLAMP	1
517	7342	3/8-16 X 1 HEX BOLT	1
518	7338	3/8 SPLIT LOCK WASHER	1
519	7201	VAC SHOE LIFT BRACKET	1
520	7343	1/2 SPLIT LOCK WASHER	1
521	7208	VAC SHOE PIVOT ARM	1
522	7219	COVER PLATE, VAC SHOE	1
523	7300	17/32 I.D. X 1 1/16 O.D. X .047/.121 THICK SAE FLAT WASHER (1/2)	1
524	7209	KNOB FOR VAC SHOE	1
525	7323	1/4-20 X 1/2 TRUSS HEAD PHILLIPS MACHINE SCREW	11
526	7319	1/4 EXTERNAL STAR LOCK WASHER	11
527	7218	VAC SHOE GASKET	1
528	7223	VAC SHOE WEIGHT	2
529	7275	VAC SHOE CASTING	1
	7266	VAC SHOE ASSEMBLY	1
530	7272	VAC SHOE DISCONNECT LABEL - LABEL SET	1
531	7330	5/16 X 1/2 (1/4-20) SOCKET HEAD SHOULDER BOLT	1
532	7344	1/2-13 THIN HEX NUT WITH NY-LOK INSERT	1
533	7202	LIFT BRACKET SUPPORT	1
534	7317	1/4-20 HEX NUT WITH STAR LOCK WASHER	1
535	7009	PIVOT SPACER	1
536	7244	3/8 X 3/4 (5/16-18) SOCKET HEAD SHOULDER BOLT	2
537	7272	BRUSH COVER LABEL - LABEL SET	1
538	7269	BRUSH HOUSING ASSEMBLY	1
539	7186	MAIN FRAME, CHASSIS	1
540	7041	SOLUTION PUMP 100 PSI, 120 VOLT	1
	7144	SOLUTION PUMP 100 PSI, 240 VOLT	1
541	7098	SOLUTION HOSE, SOLUTION TANK TO PUMP	1
542	7115	HOSE CLAMP 3/4"	1
543	7105	90° HOSE BARB 3/8 NPTM	1
544	7295	7/32 I.D. X 1/2 O.D. X .032/.065 THICK SAE FLAT WASHER (#10)	1
545	7291	#10 SPLIT LOCK WASHER	4
546	7300	10-24 X 1 ROUND HEAD PHILLIPS MACHINE SCREW	4
547	7256	SOLUTION HOSE, SOLENOID TO SPRAY MANIFOLD	1
548	7115	HOSE CLAMP 3/4"	1
549	7157	SOLENOID VALVE 120 VOLT	1
	7094	SOLENOID VALVE 240 VOLT	1
550	7062	BRASS BUSHING, 1/4 F X 3/8 NPTM	1

VAC SHOE



EXTRACTOR

One Year Limited Warranty

In the event of a claim under the limited warranty below, the exclusive remedy is for the manufacturer to repair or replace the product.

U. S. Products warrants to the original purchaser/ user that this product is free from defects in workmanship and materials under normal use and service for a period of one (1) year from date of purchase. In addition, U. S. Products may, at its option, reimburse shipping costs (based on normal ground transportation costs) on outbound shipments of replacement parts covered by warranty for the first year from date of sale. All inbound freight charges for warranty evaluations of parts or equipment are the responsibility of the owner. The original purchaser's EXCLUSIVE REMEDY is to have U. S. Products, at seller's option, repair or replace without charge, parts that fail under normal use and service, when operated and maintained in accordance with the applicable operation and instruction manuals. Any warranties extending beyond one (1) year, such as the pro-rated second year of the ULTIMATE PBIII and the polyethylene body parts, are for parts only and do not cover labor or shipping costs.

This LIMITED WARRANTY does NOT apply to normal wear, or to items whose life is dependent on their use and care, such as belts, cords, switches, hoses, rubber parts, electrical motor components or adjustments. This warranty does NOT apply to parts not manufactured by U. S. Products such as electric motors, pumps, gauges and electric circuit boards. These parts may be covered by and subject to the warranties and / or guarantees of their manufacturers.

All returned items, which are replaced, become the sole property of U. S. Products or its original manufacturer, whichever the case may be.

This LIMITED WARRANTY is applicable ONLY in the U. S. A. and Canada, and is extended ONLY to the original user/ purchaser of this product. Customers outside of the U. S. A. and Canada should contact their local distributor for export warranty policies.

This warranty does NOT apply to damage from transportation, inadequate voltage, blown fuses, alterations by unauthorized persons, freezing, misuse or abuse of the equipment, or use of non-compatible chemicals. Nor does it apply if the serial number is missing, altered or defaced.

THERE ARE NO WARRANTIES, WHICH EXTEND BEYOND THE LIMITED WARRANTY CONTAINED HEREIN.

THERE ARE NO IMPLIED WARRANTIES OF MERCHANTABILITY. THERE ARE NO IMPLIED WARRANTIES OF FITNESS FOR A PARTICULAR PURPOSE, NOR MAY ANY WARRANTY BE IMPLIED BY OR THROUGH COURSE OF DEALING, TRADE USAGE, OR COURSE OF PERFORMANCE. THERE ARE NO EXPRESS WARRANTIES EXCEPT THE LIMITED WARRANTY CONTAINED HEREIN. THE PARTIES ACKNOWLEDGE THAT THE GOODS ARE INTENDED FOR COMMERCIAL APPLICATION AND ARE NOT CONSUMER GOODS.

U. S. PRODUCTS ASSUMES NO RESPONSIBILITY FOR CONSEQUENTIAL, INCIDENTAL, OR SPECIAL DAMAGES; RESPONSIBILITY FOR WHICH DAMAGES ARE SPECIFICALLY AND ABSOLUTELY DISCLAIMED.



NORTH 10450 AIRPORT DRIVE,
HAYDEN LAKE, ID 83814
PHONE (800) 257-7982 • FAX (208) 772-0577
MOCCASIN 2022 ORIG. 06-00 9094900