

PARTS LIST

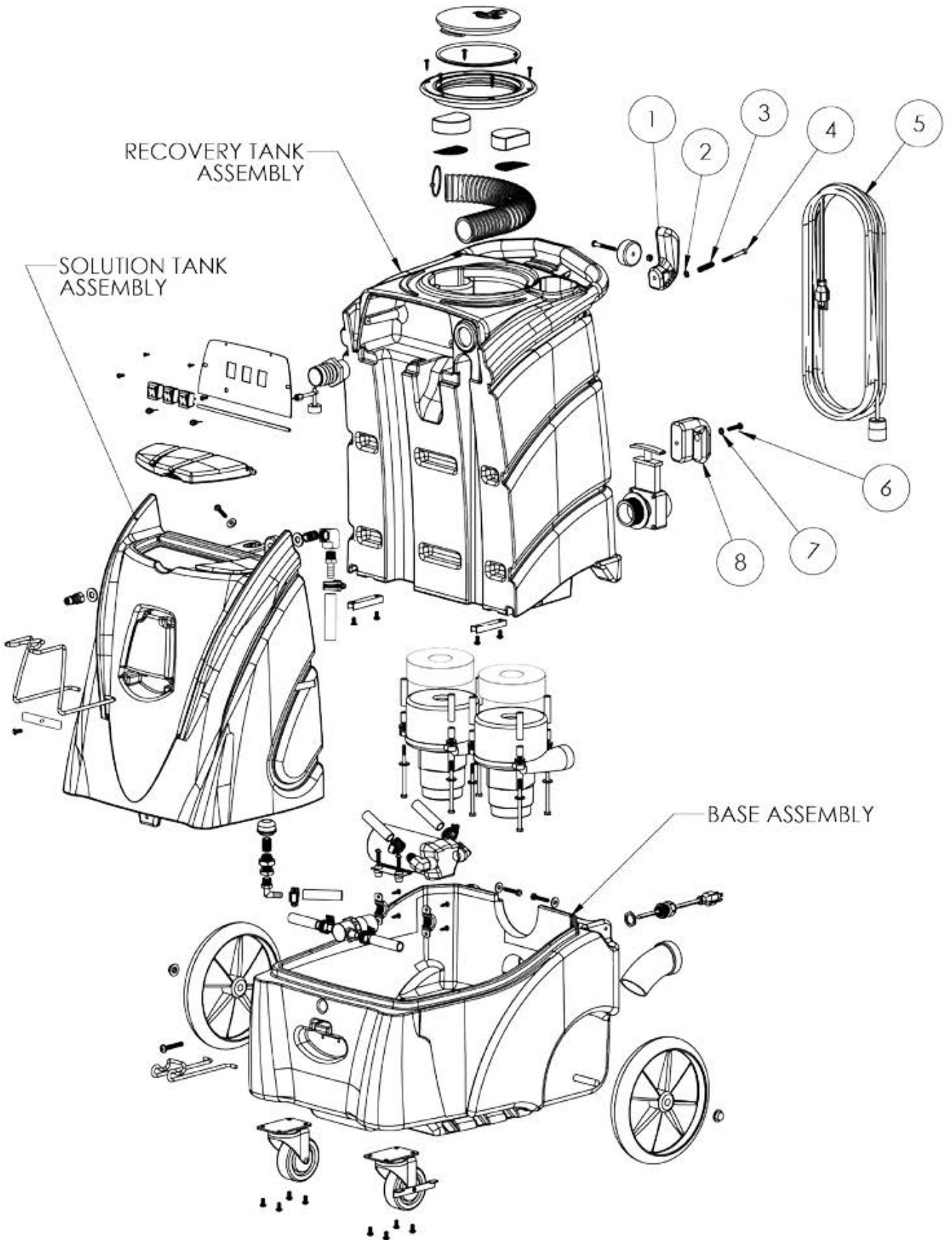
RALLY 220



SAVE THESE INSTRUCTIONS



OVERVIEW



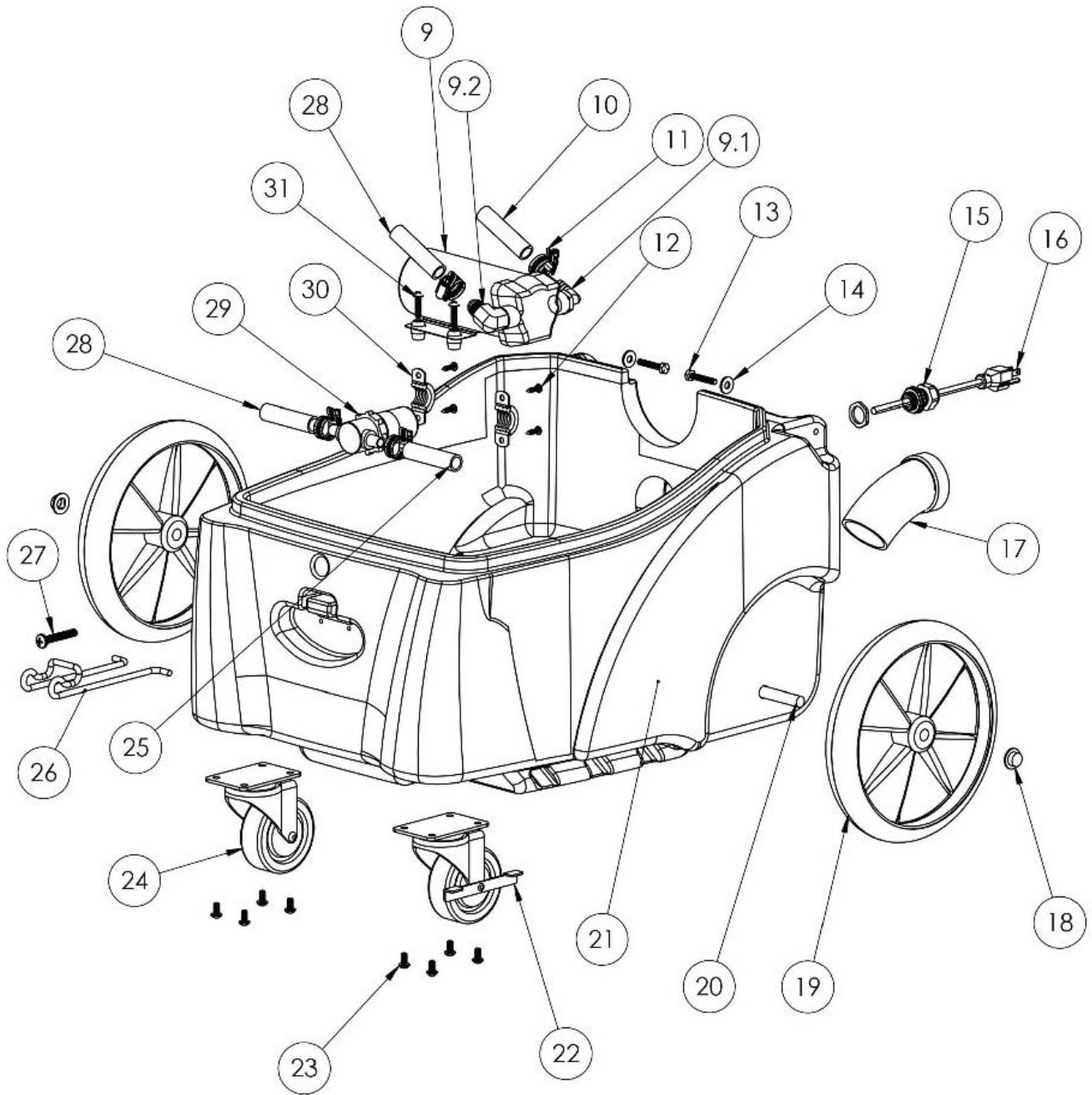
OVERVIEW

<u>ITEM</u>	<u>PART NO.</u>	<u>DESCRIPTION</u>	<u>QTY</u>
1	4099011	CORD WRAP, (SET FOR ONE CORD, FASTENERS NOT INCLUDED)	1
2	9120935	1/4 WASHER, .268 ID x .5 OD x .060 THK (PK-10)	1
3	4098551	SPRING, CORD WRAP, UPPER	1
4	9121150	1/4-20 x 2-1/4 ROUND HEAD PHILIPS MACHINE SCREW (PK-2)	1
5	4099341	CORD, EXTENTION, 12-3 SJTW, 25 FEET LONG, 120 VOLT	1
	4898721	CORD, SHUKO W/TWIST LOCK, 50 FEET LONG, 240 VOLT	1
6	9121141	1/4-20 X 1 ROUND HEAD PHILIPS MACHINE SCREW (PK-5)	1
7	9120935	1/4 WASHER, .268 ID x .5 OD x .060 THK (PK-10)	1
8	4099011	CORD WRAP, (SET FOR ONE CORD, FASTENERS NOT INCLUDED)	1
N/S	4093351	1.5" X 25' VACUUM HOSE	1
N/S	4093331	25' HIGH PRESSURE LINE COMP.	1



ALWAYS USE GENUINE NSS REPLACEMENT PARTS

BASE ASSEMBLY



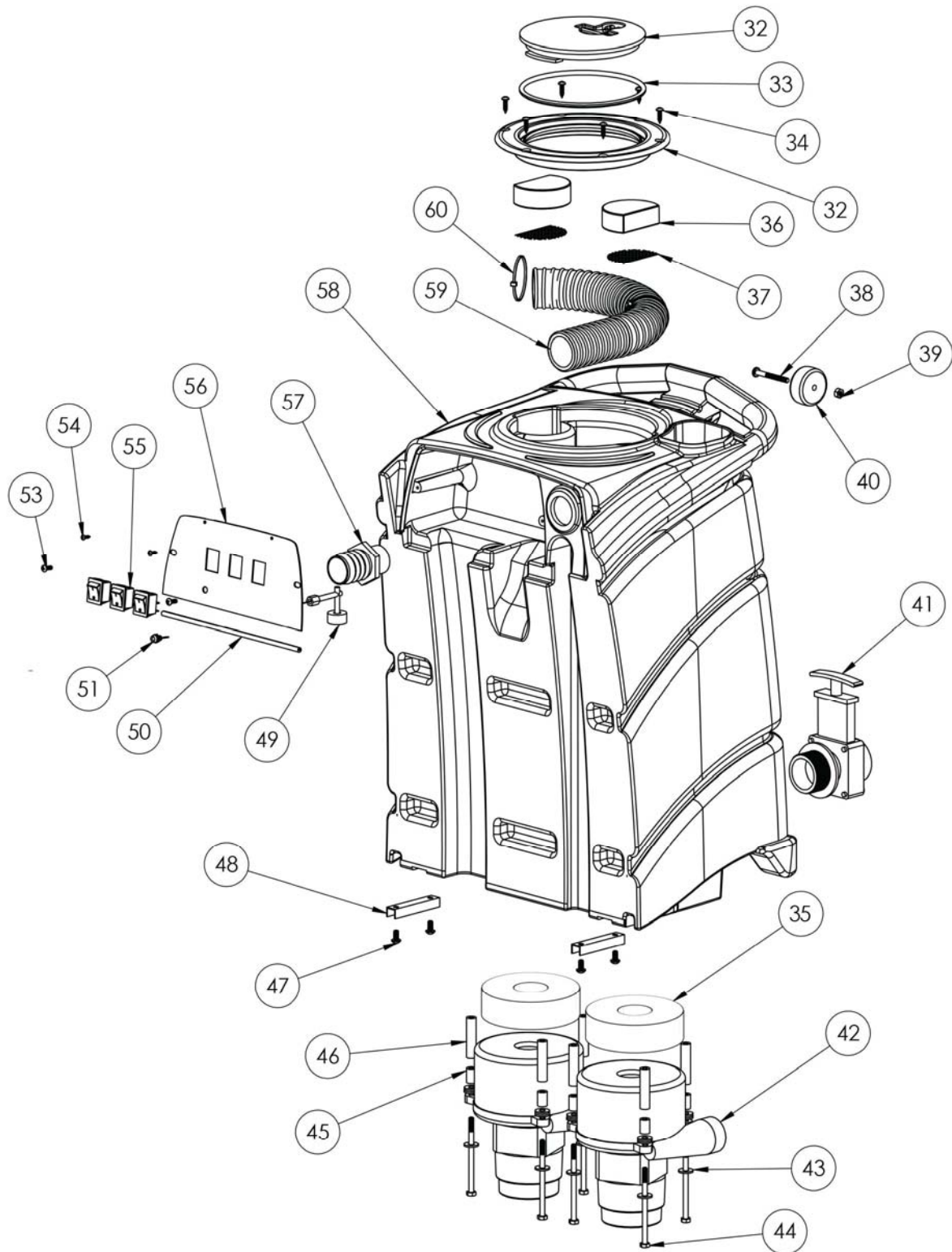
BASE ASSEMBLY

<u>ITEM</u>	<u>PART NO.</u>	<u>DESCRIPTION</u>	<u>QTY</u>
9	4099461	PUMP, 220 PSI, EXTRACTOR, 120 VOLT	1
	4098151	PUMP, 220 PSI, EXTRACTOR, 240 VOLT	1
9.1	4091101	FITTING, 90 DEGREE, 3/8 MNPT X 3/8 HOSE BARB, NYLON	1
9.2	2691901	FITTING, 3/8 MNPT X 1/2 HOSE BARB, 90 DEGREE, NYLON	1
10	4098881	HOSE, 3/8 RED, 300PSI, 57" LONG	1
11	2392141	HOSE CLAMP 11/16 to 1 1/4 DIA	4
12	9121212	#12 x 1/2 PHILIPS HEAD SHEET METAL SCREW (PK-6)	4
13	9121780	5/16 -18 x 1-1/2 HEX BOLT (PK-2)	2
14	9121390	11/32 ID X 11/16 OD FLAT WASHER (PK-10)	2
15	4099321	STRAIN RELIEF, HEYCO-PG16, W/NUT	1
16	4099331	CORD, PIG TAIL, 12-3 SJTW, 120 VOLT	1
	4892711	CORD, PIG TAIL, TWIST LOCK, 17" LONG, 240 VOLT	1
17	4093041	SPOUT, DRAIN GATE	1
18	4092151	NUT, PUSH-ON, HUB CAP, 1/2 AXLE	2
19	4099811	WHEEL, 10" DIA, EXTRACTOR	2
20	4099551	AXLE, 1/2" DIA X 20 LONG, 10' WHEEL, EXTRACTOR	1
21	4099021	BASE, EXTRACTOR, 12GAL, BLACK	1
22	4099831	CASTER, 3.5"DIA WHEEL, W/BRAKE, EXTRACTOR	1
23	9121045	1/4-20 x 1/2 ROUND HEAD PHILIPS MACHINE SCREW (PK 10)	8
24	4099821	CASTER, 3.5" DIA WHEEL, EXTRACTOR	1
25	4098811	HOSE, 1/2 CLEAR, REINFORCED, 50" LONG	1
26	4099611	HOOK, HOSE, LOWER	1
27	9121810	5/16-18 X 2 ROUND HEAD MACHINE SCREW (PK-2)	1
28	4098871	HOSE, 1/2CLEAR, REINFORCD, 13-3/8" LONG	1
29	4092511	FILTER, INLINE, 1/2 HOSE BARB - 1/2 HOSE BARB	1
	3393611	STRAINER ELEMENT	1
	3394559	KIT, INCLUDES BOWL AND GASKET	1
30	4098651	CLAMP, 3/8" CUSHIONED	2
31	9121146	1/4-20 X 1-1/4 ROUND HEAD PHILIPS MACHINE SCREW (PK-2)	1



ALWAYS USE GENUINE NSS REPLACEMENT PARTS

RECOVERY TANK ASSEMBLY



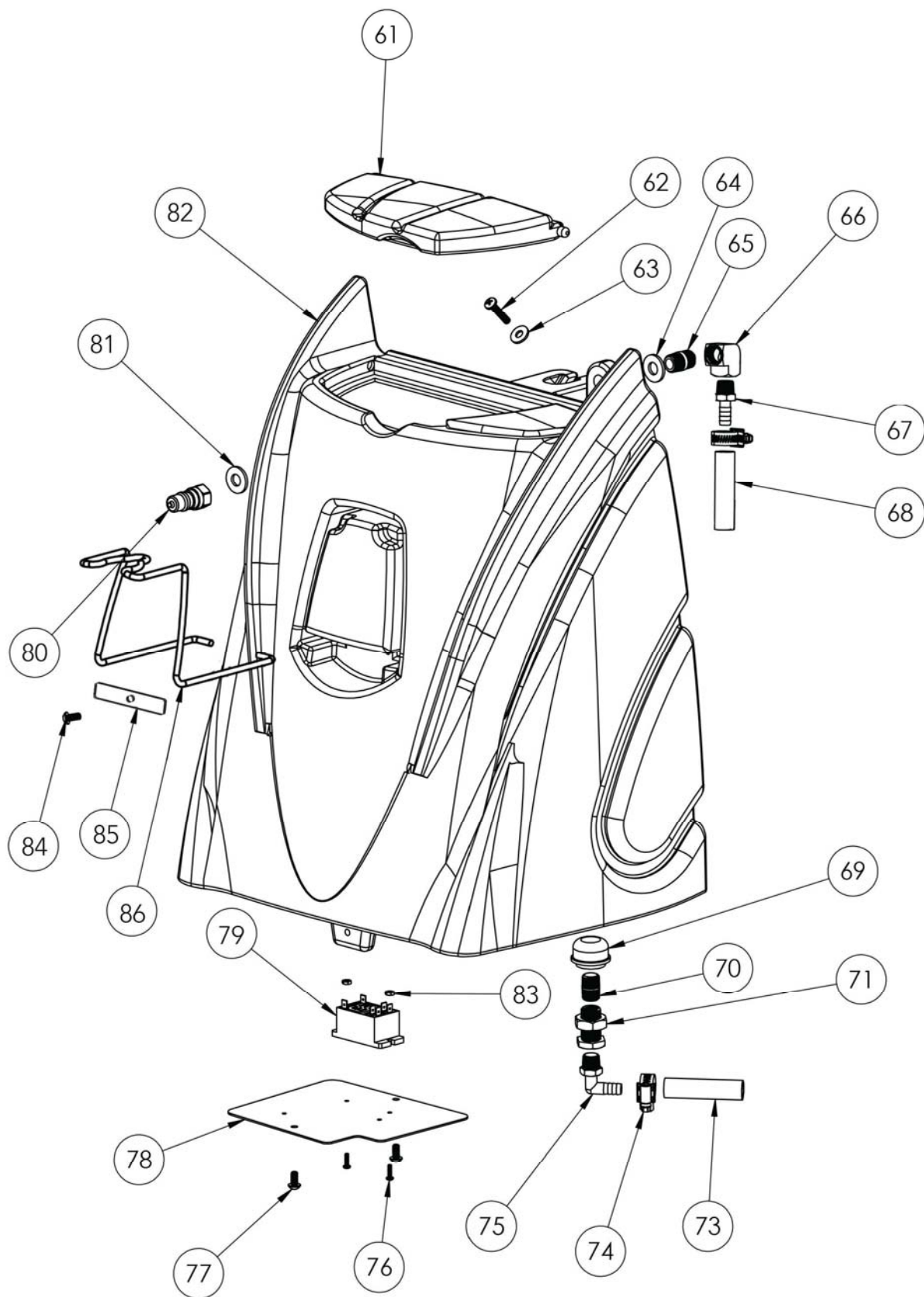
RECOVERY TANK ASSEMBLY

ITEM	PART NO.	DESCRIPTION	QTY
32	4099791	LID, RECOVERY, 6" DIA, TWIST LOCK HANDLE, BLACK	1
33	4099801	O-RING, LID,RECOVERY, 6" DIA, EXTRACTOR	1
34	9121212	#12 x 1/2 PHILIPS HEAD SHEET METAL SCREW (PK-6)	6
35	4099721	GASKET-SPACER, THICK, 2 STAGE VAC MOTOR	1
36	4099711	FILTER, VACUUM MOTOR INTAKE, EXTRACTOR	2
37	4099661	SCREEN, VACUUM MOTOR INTAKE, EXTRACTOR	2
38	9121150	1/4-20 x 2-1/4 ROUND HEAD PHILIPS MACHINE SCREW (PK-2)	1
39	9120920	1/4-20 HEX NUT, STAINLESS STEEL (PK-10)	1
40	4099841	WHEEL, 2" DIA, EXTRACTOR HANDLE	1
41	4091231	VALVE, GATE, DUMP, 1-1/2" DIA	1
42	4099401	VACUUM MOTOR, 2 STAGE, 120 VOLT, 116392-00	2
	4098181	VACUUM MOTOR, 2 STAGE, 240 VOLT	2
43	9120930	9/32 ID X 5/8 OD FLAT WASHER (1/4) (PK-10)	6
44	9121360	1/4-20 x 4 HEX HEAD BOLT (PK-2)	6
45	4098541	SPACER, 1/2 OD X 1/4 ID X 3/4 LONG, NYLON	6
46	4098561	SPACER, 1/2 OD X 1/4 ID X 2-1/8 LONG, NYLON	6
47	9121045	1/4-20 x 1/2 ROUND HEAD MACHINE SCREW (PK-10)	4
48	4099621	BRACKET, RECOVERY TO SOLUTION	2
49	4099311	FLOAT SWITCH, HORIZONTAL MOUNT	1
50	4099851	TRIM, CONTROL PANEL, EXTRACTOR	1
51	4099351	LIGHT, LED, RED, 120 V, RECOVERY TANK FULL	1
	4098221	LIGHT, LED, RED, 220 V, RECOVERY TANK FULL	1
53	9120715	10-32 x 1/2 PAN HEAD PHILIPS (PK-5)	2
54	9120140	#6 X 5/8 PAN HEAD SHEET METAL SCREW (PK-3)	2
55	4099291	ROCKER SWITCH, SPLASH PROOF	3
56	4099561	PANEL, 3 SWITCH, RALLY 220	1
57	4091241	HOSE BARB, 1.5", VACUUM	1
58	4099031	RECOVERY TANK, 12 GAL, BLACK	1
59	4098751	HOSE, DIFFUSING, RECOVERY TANK	1
60	9123000	11" LONG WIRE TIE (PK-5)	3
N/S	4093351	1.5" X 25' VACUUM HOSE	1
N/S	4093331	25' HIGH PRESSURE LINE COMP.	1



ALWAYS USE GENUINE NSS REPLACEMENT PARTS

SOLUTION TANK ASSEMBLY



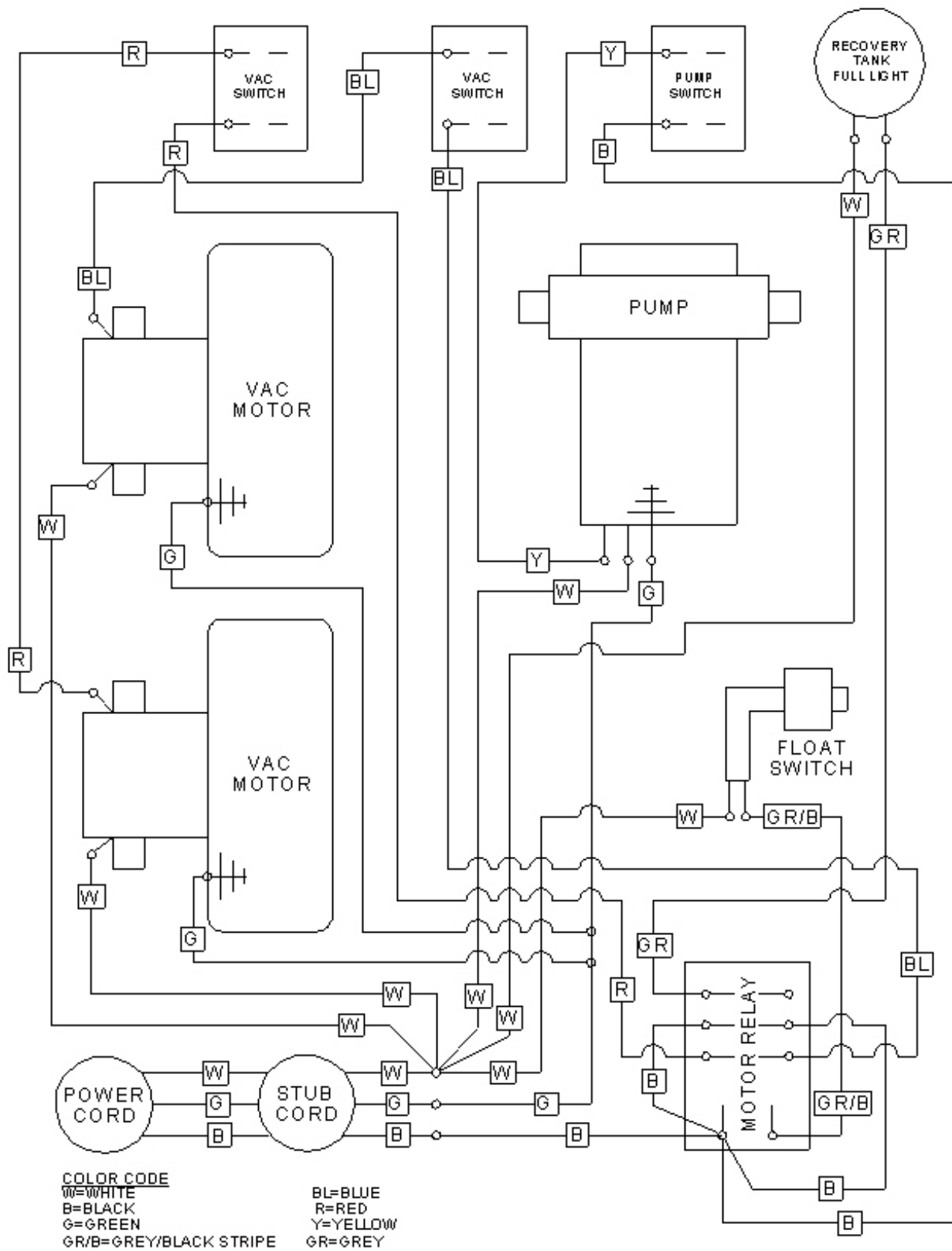
SOLUTION TANK ASSEMBLY

<u>ITEM</u>	<u>PART NO.</u>	<u>DESCRIPTION</u>	<u>QTY</u>
61	4099041	LID, SOLUTION TANK, 12GAL, BLACK	1
62	9121146	1/4-20 X 1-1/4 ROUND HEAD PHILIPS MACHINE SCREW (PK-2)	1
63	9121390	11/32 ID 11/16 OD FLAT WASHER (5/16) (PK-10)	1
64	9122450	1/2 SAE FLAT WASHER STAINLESS STEEL (PK-5)	1
65	4098991	FITTING, PIPE NIPPLE, 1/4 MNPT X 1-1/2 LONG	1
66	3891141	FITTING, BRASS ELBOW, 90 DEGREE X 1/4" FNPT	1
67	3890661	FITTING, 1/4 MPT X 3/8 HOSE BARB, STRAIGHT, BRASS	1
68	4098881	HOSE, 3/8 RED, 300PSI, 57" LONG	1
69	4099861	FILTER, 1/4" PIPE, ACORN, INSIDE SOLUTION TANK	1
70	4096041	FITTING, CLOSE NIPPLE, 1/4 MNPT	1
71	4098981	FITTING, BULKHEAD, 1/4 NPT	1
73	4098701	HOSE, 1/2 CLEAR, WIRE REINFORCED	1
74	2392141	HOSE CLAMP 11/16 to 1 1/4 DIA	1
75	4099001	FITTING, 1/4 MNPT X 1/2 HOSE BARB, 90 DEGREE, BRASS	1
76	9120075	6-32 x 5/8 ROUND HEAD PHILIPS MACHINE SCREW (PK-10)	2
77	9121045	1/4-20 x 1/2 ROUND HEAD PHILIPS MACHINE SCREW (PK-10)	2
78	4099651	COVER, ELECTRICAL COMPARTMENT	1
79	4099301	RELAY, VACUUM MOTOR, 12 GAL EXTRACTOR, 120 VOLT	1
	4098251	RELAY, VACUUM MOTOR, 12 GAL EXTRACTOR, 240 VOLT	1
80	3590751	FITTING, 1/4" FNPT X 1/4 MALE QUICK DISCONNECT	1
81	9122450	1/2 SAE FLAT WASHER STAINLESS STEEL (PK-5)	1
82	4099051	SOLUTION TANK, 12 GAL, GREEN	1
83	9120020	6-32 HEX NUT W/ STAR LOCK WASHER (PK-10)	2
84	9121045	1/4-20 X 1/2 ROUND HEAD PHILIPS MACHINE SCREW (PK-10)	1
85	4099641	PLATE, KEEPER, HOSE HOOK, UPPER	1
86	4099601	HOOK, HOSE, UPPER	1



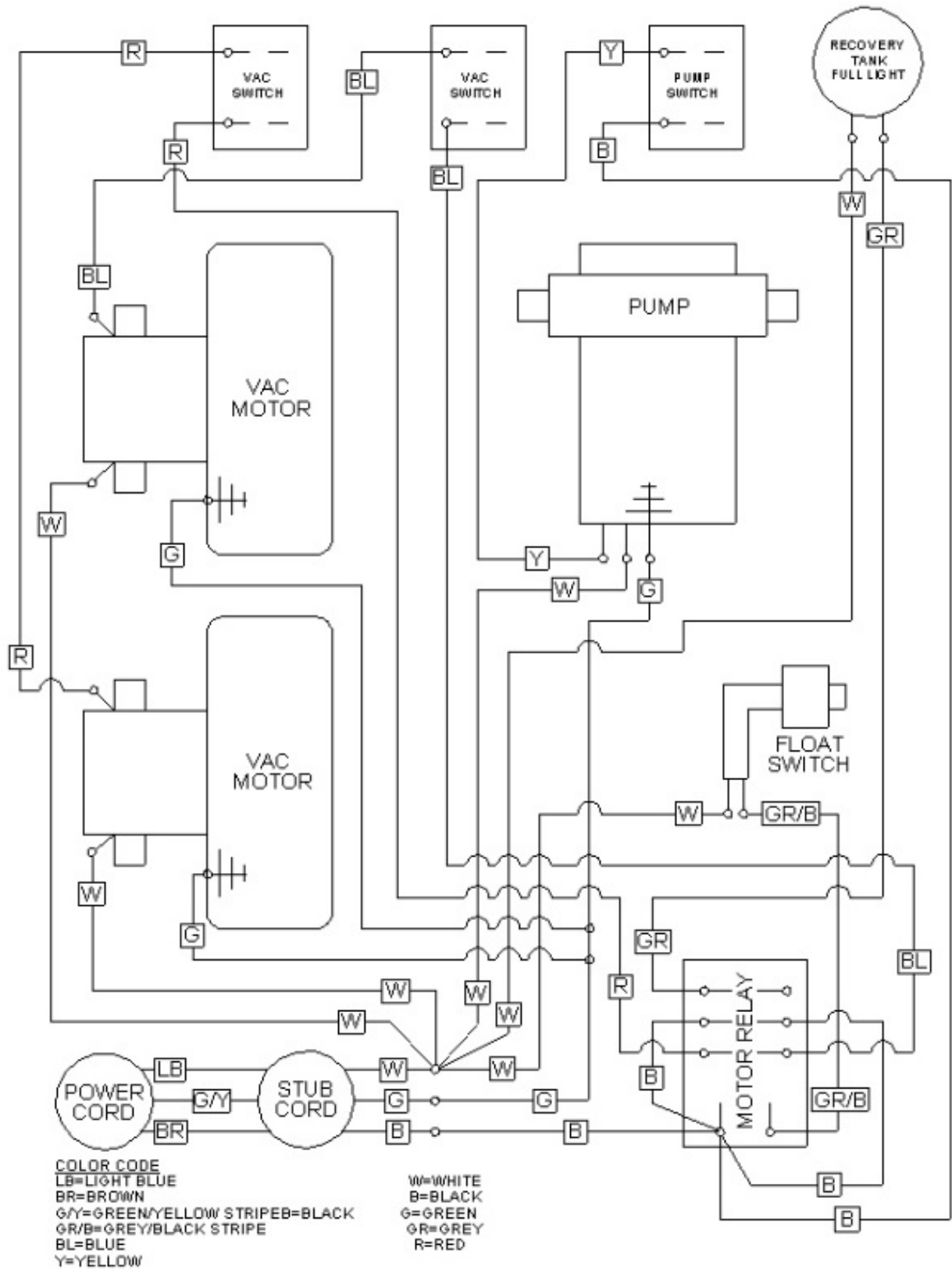
ALWAYS USE GENUINE NSS REPLACEMENT PARTS

120 VOLT WIRE DIAGRAM



ALWAYS USE GENUINE NSS REPLACEMENT PARTS

240 VOLT WIRING DIAGRAM



ALWAYS USE GENUINE NSS REPLACEMENT PARTS

ACCESSORIES

4090509	TOOLKIT, EXTRACTOR, UPHOLSTERY, STAIR, HYDROGLIDE
4096841	4" WIDE UPHOLSTERY TOOL 500PSI
4093241	WAND, 2JET, EXTRACTOR, HYDROGLIDE
4097301	30" X 9 3/4 STAIR TOOL
4098069	TOOLKIT, EXTRACTOR, UPHOLSTERY, STAIR, 2JET SS WAND
4093251	WAND, 2 JET, STAINLESS STEEL
4096841	4" WIDE UPHOLSTERY TOOL 500PSI
4097301	30" X 9 3/4 STAIR TOOL
4098079	TOOLKIT, EXTRACTOR, DETAL, STAIR, CREVIC
4096851	3.5" DETAIL TOOL 500 PSI
4096871	18" INTERNAL SPRAY CREVICE TOOL
4097301	30" X 9 3/4 STAIR TOOL
4093241	WAND, 2JET, EXTRACTOR, HYDROGLIDE
4093251	WAND, 2 JET, STAINLESS STEEL
4096841	4" WIDE UPHOLSTERY TOOL 500PSI
4097301	30" X 9 3/4 STAIR TOOL
4098491	TOOL, DETAIL, 4" CLEAR HEAD
4096851	3.5" DETAIL TOOL 500 PSI
4096871	18" INTERNAL SPRAY CREVICE TOOL
4090321	1.5" X 50' VACUUM HOSE
4090311	50' HIGH PRESSURE LINE COMP.



NSS® Enterprises, Inc.

3115 Frenchmens Road, Toledo, Ohio 43607
PHONE (419) 531-2121 FAX (419) 531-3761
mailus@nss.com www.nss.com