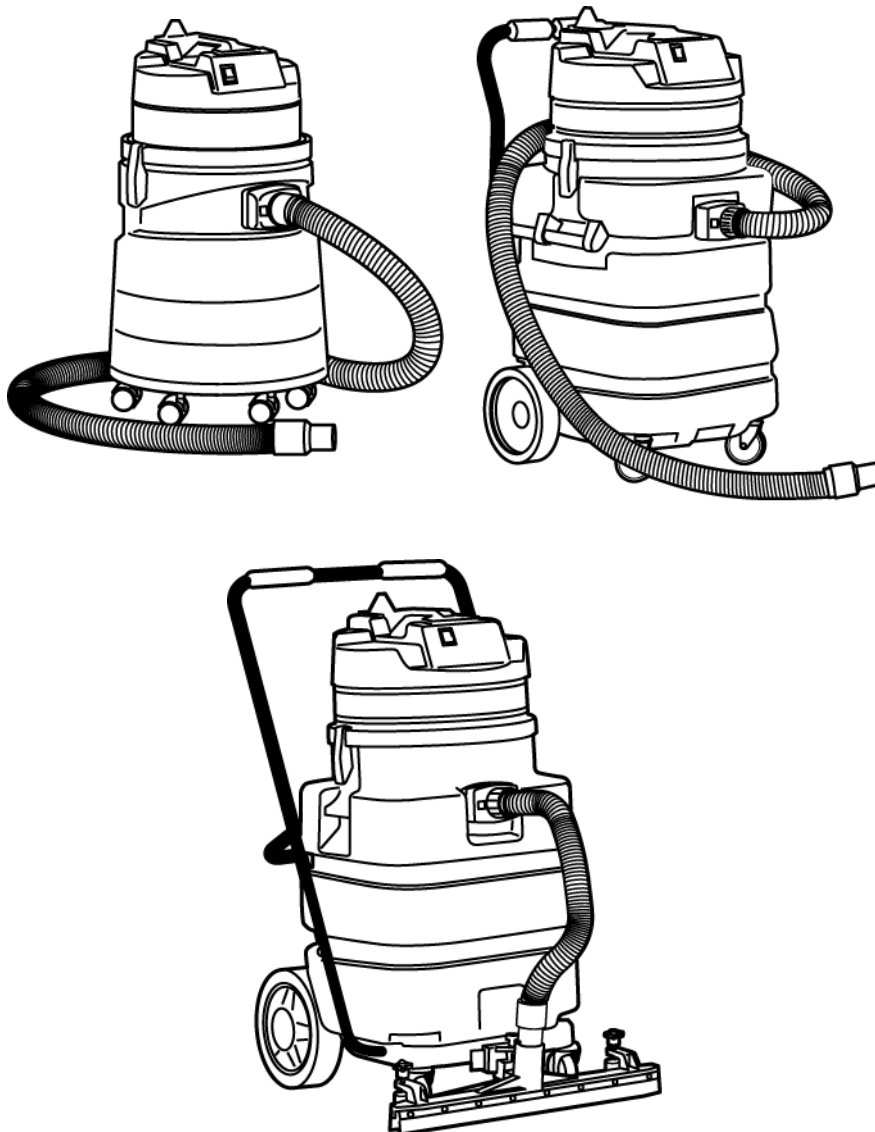




## Wet / Dry Vacuums

Operating instructions (ENG)



### MODELS:

T708  
10130060  
T708IE  
10130070  
T716  
10130080  
T716IE  
10130090  
T720TP  
10130100

Read these instructions before using the machine.

86369590-B  
12/11/12



**CLICK TO ORDER PARTS**



## **Machine Data Label**

---

Model: \_\_\_\_\_

Date of Purchase: \_\_\_\_\_

Serial Number: \_\_\_\_\_

Dealer: \_\_\_\_\_

Address: \_\_\_\_\_

Phone Number: \_\_\_\_\_

Sales Representative: \_\_\_\_\_

### **Overview**

This machine is a commercial vacuum designed for wet and dry pick-up.

## **Warranty Registration**

Thank you for purchasing a Windsor product. Warranty registration is quick and easy. Your registration will allow us to serve you better over the lifetime of the product.

To register your product go to :

[www.windsorind.com/WarrantyRegistration.aspx](http://www.windsorind.com/WarrantyRegistration.aspx)

For customer assistance:

1-800-444-7654



**Machine Data Label** . . . . .2  
  Overview . . . . .2  
**Table of Contents** . . . . .3  
**How To Use This Manual** . . . . .4

**Safety**

**IMPORTANT SAFETY INSTRUCTIONS** . . . . .5  
  Grounding Instructions: . . . . .7

**Operations**

  Vacuum And Accessories Components . . . . .8

**Maintenance**

  Periodic Maintenance . . . . .10  
  Servicing the Filter . . . . .10  
  Servicing the Vac Motor . . . . .10  
  Servicing The Vac Motor . . . . .11

**Parts**

  Vacuum Motor Assembly - T708 / T708IE . . . . . 14  
  Vacuum Motor Assembly - T716 / T720TP . . . . . 16  
  Filter Group T708 . . . . . 18  
  Filter T716 / T720TP . . . . . 20  
  Tank T708 . . . . . 22  
  Tank T716 . . . . . 24  
  Tank and Cart - T720TP . . . . . 26  
  Front Mounted Squeegee - TSQ16 . . . . . 28  
  Front Mounted Squeegee - TSQ20 . . . . . 30  
  Accessories . . . . . 32  
  Suggested Spare Parts . . . . . 33

## How To Use This Manual

This manual contains the following sections:

- How to Use This Manual
- Safety
- Operations
- Maintenance
- Parts List

The HOW TO USE THIS MANUAL section will tell you how to find important information for ordering correct repair parts.

Parts may be ordered from authorized dealers. When placing an order for parts, the machine model and machine serial number are important. Refer to the MACHINE DATA box which is filled out during the installation of your machine. The MACHINE DATA box is located on the inside of the front cover of this manual.

Model: _____
Date of Purchase: _____
Serial Number: _____
Dealer: _____
Address: _____
Phone Number: _____
Sales Representative: _____

The model and serial number of your machine is located on the back of the motor head under the power cord.

The SAFETY section contains important information regarding hazardous or unsafe practices of the machine. Levels of hazards are identified that could result in product damage, personal injury, or severe injury resulting in death.

The OPERATIONS section is to familiarize the operator with the operation and function of the machine.

The MAINTENANCE section contains preventive maintenance to keep the machine and its components in good working condition.

The PARTS LIST section contains assembled parts illustrations and corresponding parts list. The parts lists include a number of columns of information:

- **REF** – column refers to the reference number on the parts illustration.
- **PART NO.** – column lists the part number for the part.
- **ALT NO.** – reference number.
- **QTY** – column lists the quantity of the part used in that area of the machine.
- **DESCRIPTION** – column is a brief description of the part.
- **SERIAL NO. FROM** – If this column has an (\*) and a Reference number, see the SERIAL NUMBERS page in the back of your manual. If column has two asterisk (\*\*), call manufacturer for serial number. The serial number indicates the first machine the part number is applicable to. The main illustration shows the most current design of the machine. When a boxed illustration is shown, it displays the older design.
- **NOTES** – column for information not noted by the other columns.

*NOTE: If a service or option kit is installed on your machine, be sure to keep the KIT INSTRUCTIONS which came with the kit. It contains replacement parts numbers needed for ordering future parts.*

*NOTE: The manual part number is located on the lower left corner of the front cover.*

# IMPORTANT SAFETY INSTRUCTIONS

**When using this machine, basic precaution  
must always be followed, including the following:**

**READ ALL INSTRUCTIONS BEFORE USING THIS MACHINE.**

**⚠ WARNING:** To reduce the risk of fire, electric shock, or injury:

**⚠ DANGER:**

Failure to read and observe all DANGER statements could result in severe bodily injury or death. Read and observe all DANGER statements found in your Owner's Manual and on your machine.

**⚠ WARNING:**

Failure to read and observe all WARNING statements could result in injury to you or to other personnel; property damage could occur as well. Read and observe all WARNING statements found in your Owner's Manual and on your machine.

**⚠ CAUTION:**

Failure to read and observe all CAUTION statements could result in damage to the machine or to other property. Read and observe all CAUTION statements found in your Owner's Manual and on your machine.

Read the Owner's Manual prior to operating or attempting any service or maintenance procedure to your machine. You must have training in the operation of this machine before using it. If the operator(s) cannot read English, have this manual explained fully before attempting to operate this machine.

Do not operate this machine until it is completely assembled. Inspect the machine carefully before operation. Use only as described in this manual. Use only the manufacturer's recommended attachments.

Do not use this machine with or near fuels, grain dust, solvents, thinners, or other flammable materials.

**Do not** pick up flammable fluids, dust or vapors.

**Do not** vacuum anything that is burning or smoking, such as cigarettes, matches, or hot ashes.

This machine is not suitable for picking up health endangering dust.

Do not use the machine if the power cord is damaged. Do not use the electrical cord to move the machine. Keep cord away from heated surfaces. Do not unplug by pulling on the cord; grasp the plug, not the cord. Turn off all controls before unplugging. Do not close a door on cord or pull around sharp edges or corners.

Disconnect the power supply before attempting any maintenance or service.

Read all machine labels before attempting to operate the machine. Make sure all of the labels are attached or fastened to the machine. Get replacement labels and decals from the manufacturer's distributor.

Keep the electrical components of the machine dry. Always store the machine in a dry area.

Do not use this machine as a step or furniture. Do not allow to be used as a toy. Close attention is necessary when used by or near children.

Keep hands, feet, loose clothing, hair, fingers, and all parts of the body away from openings and moving parts.

## **Safety**

---

Do not handle plug or appliance with wet hands.

Always install float before any wet pick-up operation.

Before opening cover, switch off machine. Wait until the fan stops completely or dust and debris may be ejected.

If the machine is not working properly, has been dropped, damaged, left outdoors, or dropped into water, return it to an Authorized service center.

Do not put any object into openings. Do not use with any opening blocked; keep free of dust, lint, hair, and anything that may reduce air flow.

Do not use the machine without the dust bag and/or filters in place.

Use extra caution when cleaning on stairs.

Always use a 3-wire electrical system connected to the electrical ground. Whenever possible connect the machine to an outlet protected by a ground fault interrupter (GFCI). See "Grounding Instructions."

## **READ AND SAVE THESE INSTRUCTIONS**

**Grounding Instructions:**

This appliance must be grounded. If it should malfunction or break down, grounding provides a path of least resistance for electric current to reduce the risk of electric shock. This appliance is equipped with a cord having an equipment-grounding conductor and grounding plug. The plug must be inserted into an appropriate outlet that is properly installed and grounded in accordance with all local codes and ordinances.

Improper connection of the equipment-grounding conductor can result in a risk of electric shock. Check with a qualified electrician or service person if you are in doubt as to whether the outlet is properly grounded. Do not modify the plug provided with the appliance - if it will not fit the outlet, have a proper outlet installed by a qualified electrician.

**This Product Is For Commercial Use Only.****Electrical:**

The amp, hertz, and voltage are listed on the data label found on each machine. Using voltages above or below those indicated on the data label will cause serious damage to the motors.

**Extension Cords:**

If an extension cord is used, the wire size must be at least one size larger than the power cord on the machine, and must be limited to 50 feet (15.5m) in length.

## Operations

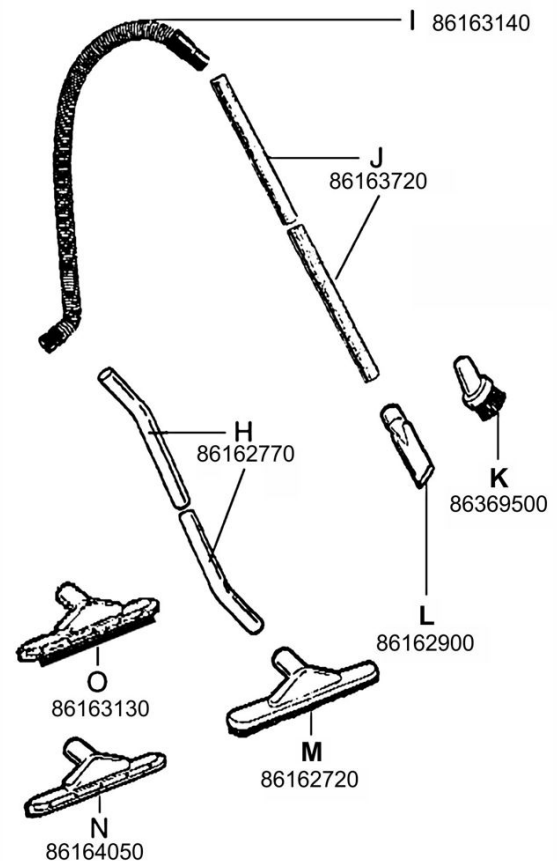
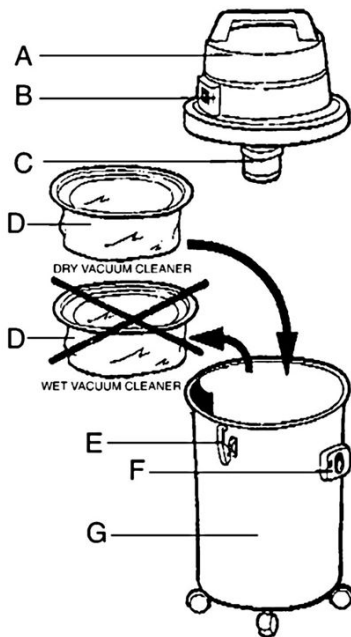
### Vacuum And Accessories Components

- A. Motor Block
- B. On/Off Switch
- C. Float: Keeps liquid out of Motor Block
- D. Polyester Filter: Remove for use with liquids
- E. Hooks: Secure Motor Block to Tank
- F. Suction Inlet
- G. Tank
- H. 2-pc. Chrome Wand
- I. 10-ft. x 1-1/2" Flexible Hose
- J. 2-pc PVC Wand
- K. 3" Round Brush
- L. Crevice Tool
- M. 16" Brush
- N. 16" Squeegee
- O. Fixed Carpet Tool

*NOTE: The Polyester Filter must be cleaned after each use to maintain efficient suction.*

### Important Instructions

- Before use, the equipment must be correctly assembled with all its components.
- Check that electrical outlet is correct for use with the plug on the machine.
- Before connecting, check that the specified motor voltage corresponds to the main voltage available.
- Never use the equipment near inflammable, explosive or toxic substances: sparks from the motor could cause dangerous reactions.
- Always unplug the machine from electrical outlet when leaving machine unattended or before attempting any repair.
- Service and repair should be done by qualified personnel only.
- Use only original manufacturer's replacement parts.



This machine is a commercial vacuum designed for wet and dry pick-up.

Dry soil can be vacuumed directly into the tank. To empty the tank of dry soil, remove the top and dump into trash receptacle.

For wet pick-up, remove polyester filter. The machine is equipped with a float shut-off. As the tank is filled to capacity, a float rises and seals the vac intake, causing loss of vacuum. Switch off the vacuum when this happens and bring the machine to a floor drain.

Use the convenient drain hose at the back of the vacuum to empty the tank.

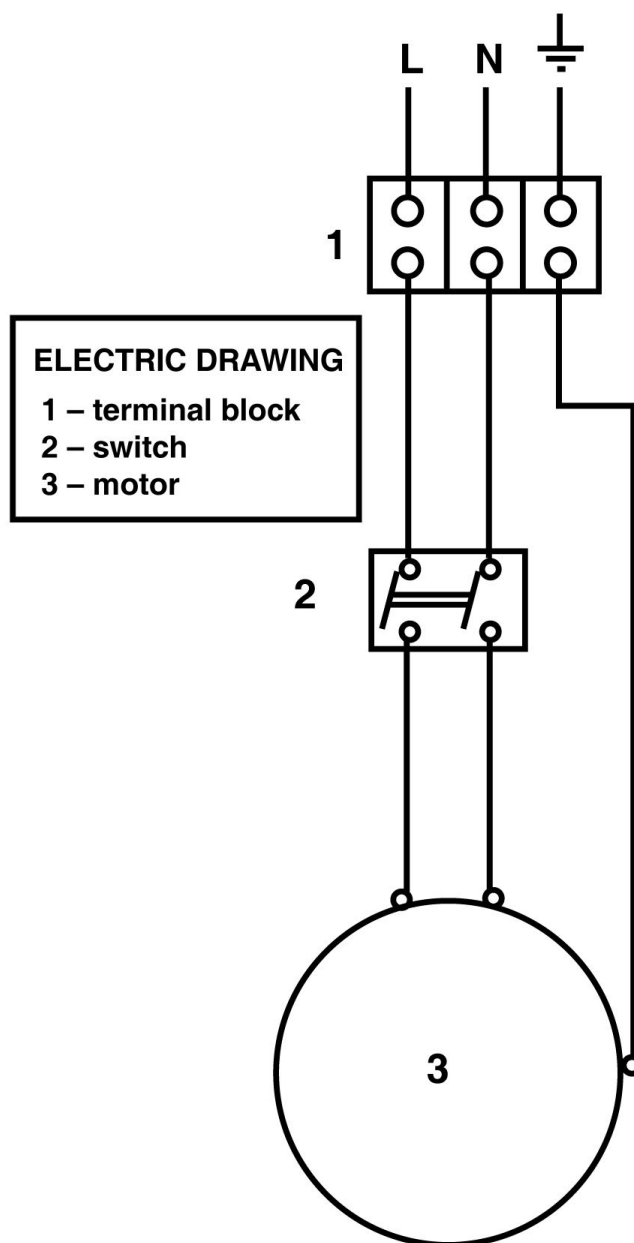
With both wet and dry applications be sure to frequently clean the filter. This is especially true when the vacuum is being used with strippers and wax.

**⚠ CAUTION:**

*Strippers and some detergents produce foam which will damage the vac motors. The vac shut-off may not be sensitive to all foams. Be sure to check that the tank is not filling with foam. Use a defoaming agent to avoid pulling foam through vac motor. Should vac motor become wet, remove source of overflow and immediately run vac motor open to dry.*

**At the end of each working day:**

1. After each use, rinse tank with fresh water. Periodically inspect the recovery tank and decontaminate if necessary, using a Hospital Grade Virucide or a 1:10 bleach to water solution. Waste water should be disposed of properly.
2. Remove head assembly and allow tank to dry.
3. Remove filters for cleaning or to allow to dry.
4. Inspect hoses for wear. Frayed or cracked hoses should be replaced to avoid vacuum loss.
5. Inspect power cord for wear. This cable will lay on wet surfaces. To prevent electrical shock replace cords with frayed or cracked insulation immediately.

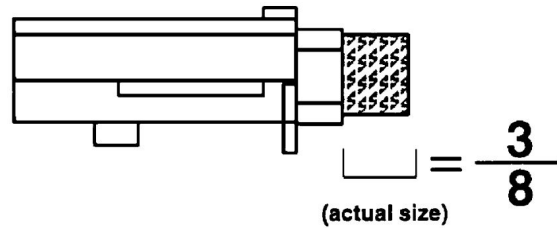


## Maintenance

### Periodic Maintenance

(Every six to twelve months):

1. Check filter for wear, replace dirt saturated filters that do not respond to normal cleaning.
2. Inspect gasket seals and replace those which have begun to leak.
3. Examine carbon motor brushes and commutator.



Replace both carbon brushes when either is less than 3/8" long.

(P/N 8.616-352.0) 120V, (P/N 8.616-353.0) 230V

### Servicing the Filter

The filter is accessed by lifting the head assembly off the tank.

Polyester filter is easily removed by simply lifting the filter basket out of the tank.

Cartridge filters – Remove the filter retainer by turning the black knob 90 degrees counter-clockwise.

Cartridge filter will then slide off of float assembly.

*NOTE: Be sure to frequently clean the filter. Allow filter to dry after being used for wet pick-up. Filters used for wet pick-up including stripper must be thoroughly cleaned before being allowed to dry. Worn filters can affect vacuum performance. Replace the filter when it becomes worn out and normal cleaning will not restore vac performance.*

### Servicing the Vac Motor

#### Motor Replacement

1. Disconnect power cord from power source.
2. To access the vac motor, remove the screws that attach the main cover to the head assembly and set the cover to one side.
3. Disconnect the motor's 2 red lead wires from the main switch.
4. Disconnect green/yellow wire by removing screw from motor core.
5. Remove the four motor mounting screws.
6. Remove motor plate and set aside.
7. Take out the motor and remove the upper and lower gaskets.
8. Inspect gaskets. If they show any wear or tear in the material, replace.
9. Install gaskets onto new motor. Make sure gaskets are properly seated.
10. Install the new motor. Make sure foam mufflers are positioned properly.
11. Attach motor plate to motor.
12. Connect green/yellow wire to motor core.
13. Connect motor's 2 red lead wires to main switch.
14. Re-assemble vac cover.
15. Test for proper operation.

## Servicing The Vac Motor

### Carbon Brush Replacement

1. Disconnect power cord from power source.
2. To access the vac motor, remove the screws that attach the main cover to the head assembly and set the cover to one side.
3. Remove the motor cover by removing two screws. See Figure 1
4. Remove the wire terminal from carbon brush housing. See Figure 2
5. Remove the carbon brush assembly by removing the 2 screws that attach it to the vac motor. See Figure 3
6. Inspect armature commutator. If it is extremely pitted, grooved or not concentric then the motor will need to be replaced or sent to a qualified service center.
7. Slide the yellow brush housing from plastic holder. See Figure 4
8. Reverse steps 7 through 4 to install new brush and housing (part number S8TOEG845 120 V - S8TOGB839 230 V)
9. Repeat steps 4 through 8 for the other carbon brush.
10. Reverse steps 3 and 2 for re-assembly.
11. Test for proper operation

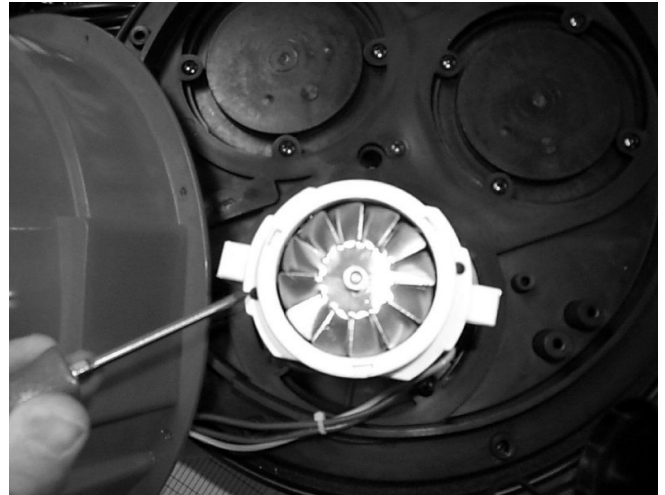


Figure 1



Figure 2

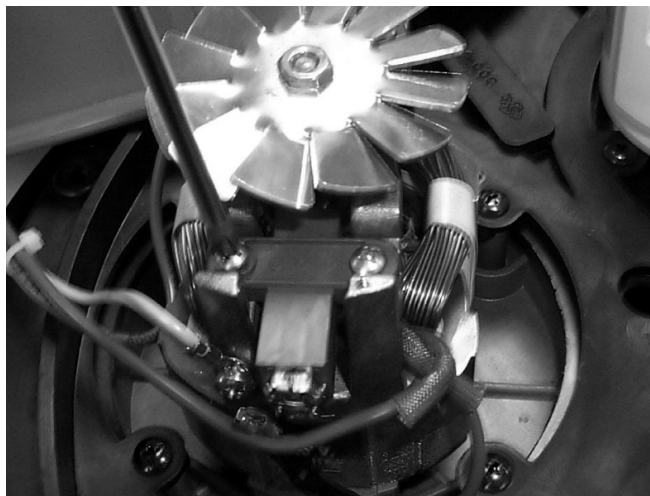


Figure 3

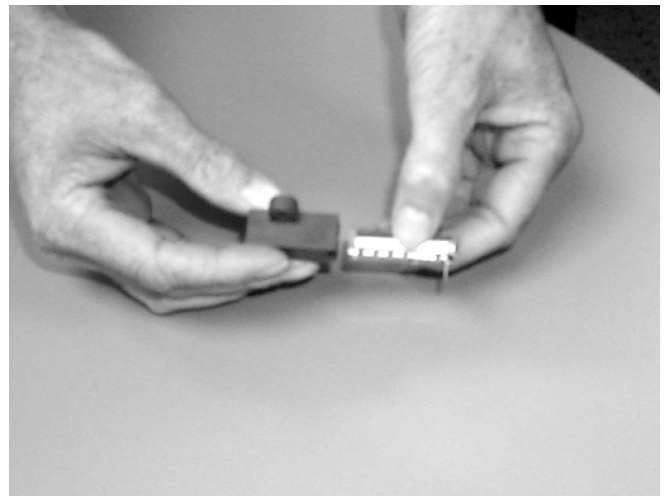


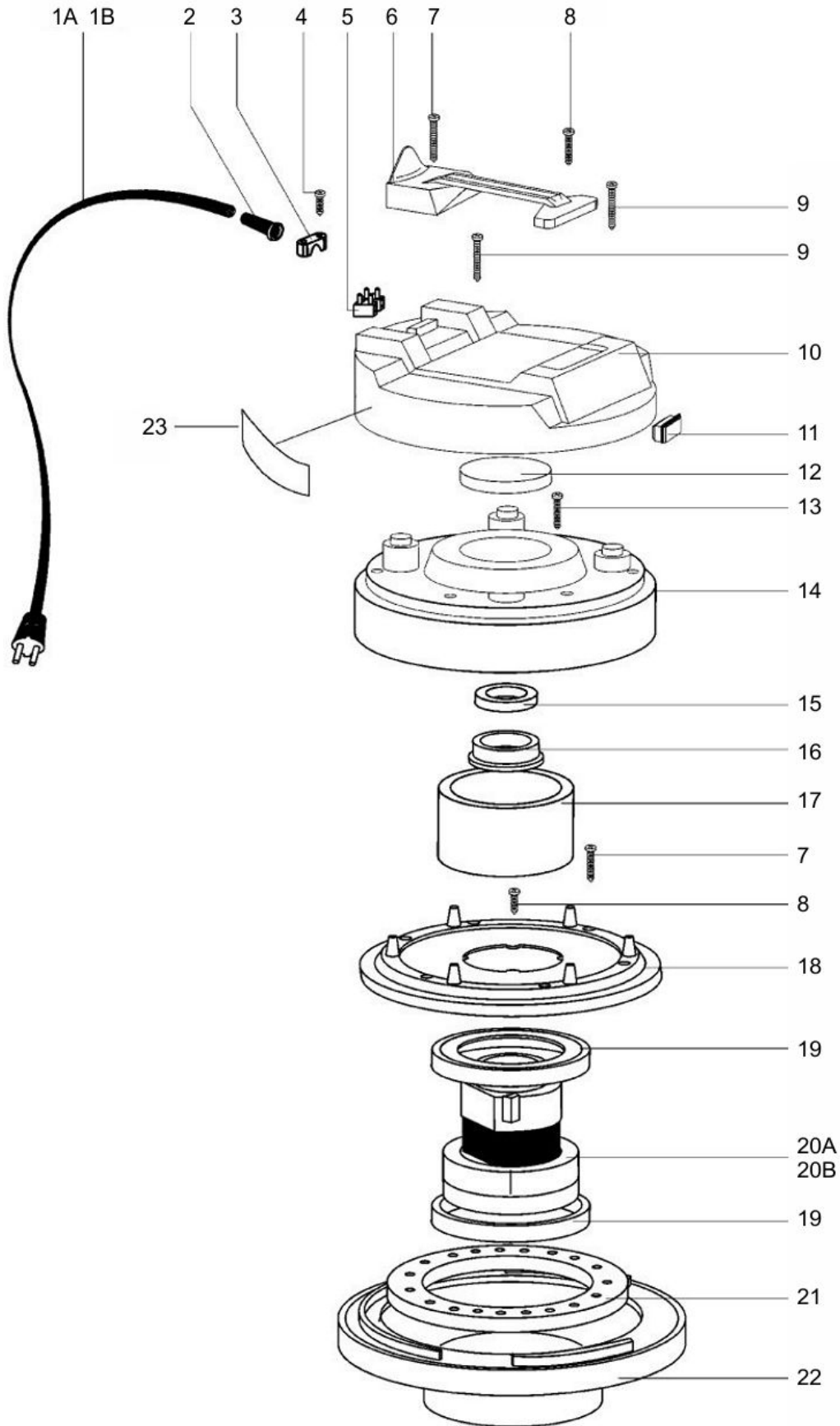
Figure 4

**Notes:**

---

# **PARTS**

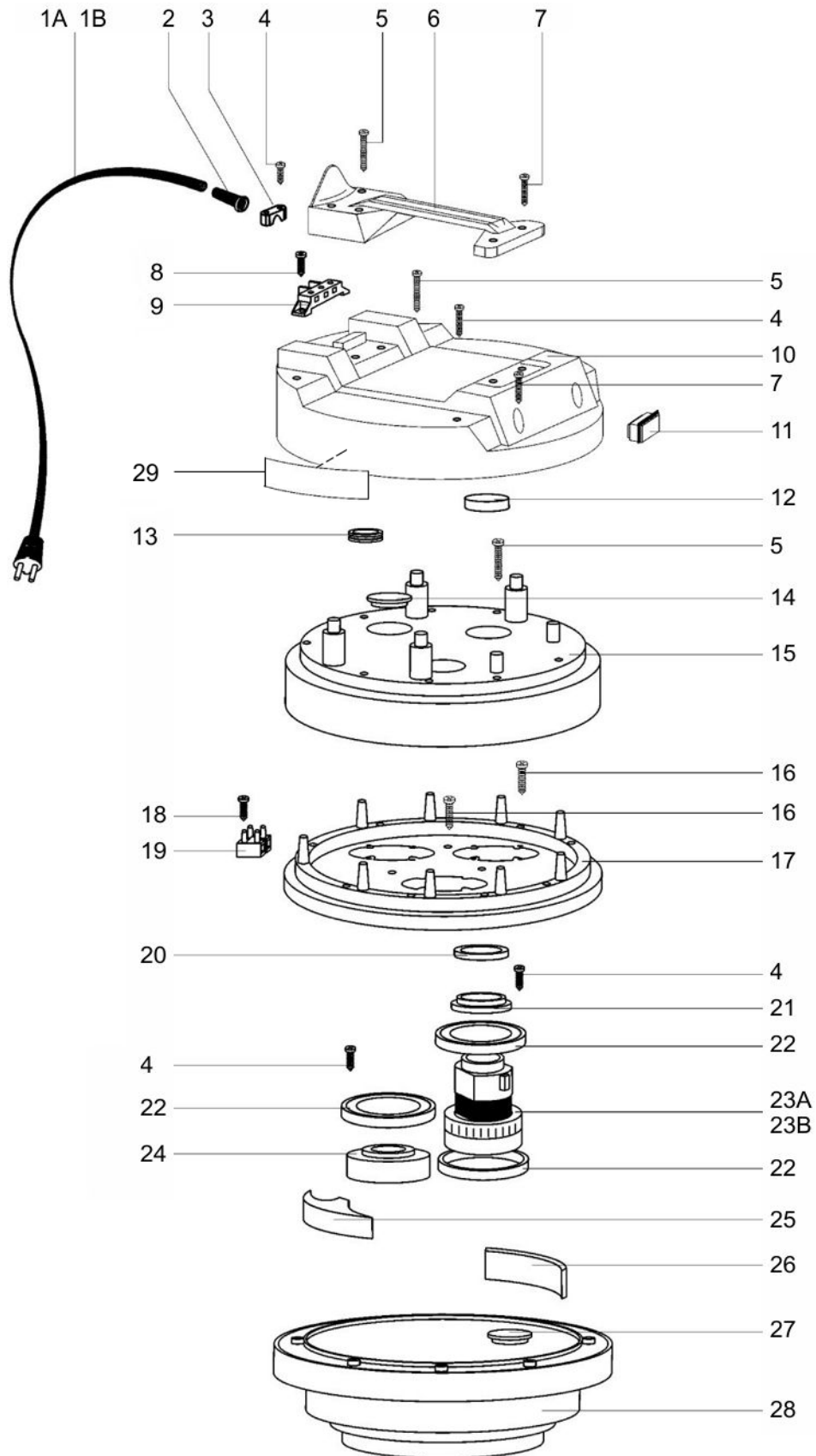
# Vacuum Motor Assembly - T708 / T708IE



## Vacuum Motor Assembly - T708 | T708IE

REF	PART NO.	PRV NO.	QTY	DESCRIPTION	SERIAL NO. FROM	NOTES
1A	8.616-284.0	S81122		CORD, 120 VOLT		
1B	8.616-283.0	S80117		CORD, 230 VOLT		
2	8.616-407.0	S80138	1	STRAIN RELIEF		
3	8.616-421.0	S80139	1	TERMINAL CLIP		
4	8.616-386.0	S81006	2	SCREW, 5 X 20		
5	8.616-422.0	S80450	1	TERMINAL BLOCK		
6	8.616-328.0	S83733AUG6	1	HANDLE, GRAY		
7	-	S82627	4	SCREW, 5 X 40		
8	8.616-386.0	S81006	2	SCREW, 5 X 20		
9	8.616-389.0	S81054	2	SCREW, 5 X 30		
10	8.616-287.0	S83734AUB.LAB	1	COVER		
11	8.616-415.0	S80326	1	SWITCH, ON/OFF		
12	8.616-312.0	S83937	1	FILTER, Ø95		
13	8.616-388.0	S81050	6	SCREW, 5 X 35		
14	8.616-285.0	S82738AUG6	1	COVER, MOTOR, GRAY		
15	8.616-321.0	S83969	1	GASKET		
16	8.616-378.0	S80310	1	RING		
17	8.616-311.0	S83900	1	FILTER		
18	8.616-348.0	S82591AUG6	1	MOTOR RING, GRAY		
19	8.616-320.0	S83901	2	GASKET		
20A	8.616-347.0	S81120S	1	MOTOR, 120 VOLT		
20B	8.616-351.0	S83891S	1	MOTOR, 230 VOLT		
21	8.616-294.0	S83866	1	DISK, NOISE REDUCTION		
22	8.616-261.0	S81189GG6	1	BASE, MOTOR, GRAY		
23	8.616-341.0	T9008	1	LABEL, WINDSOR LOGO		

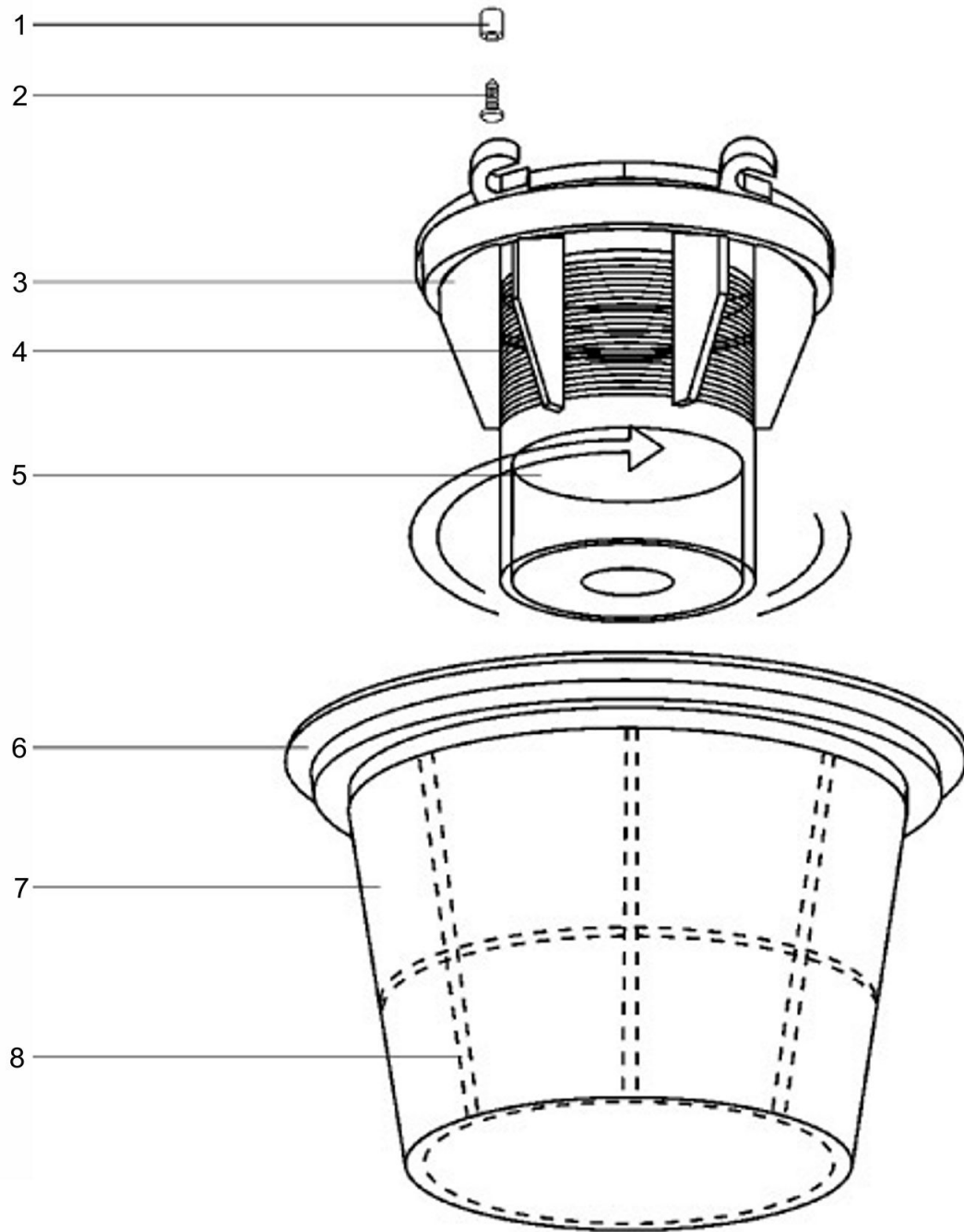
# Vacuum Motor Assembly -



## Vacuum Motor Assembly - T716 | T720TP

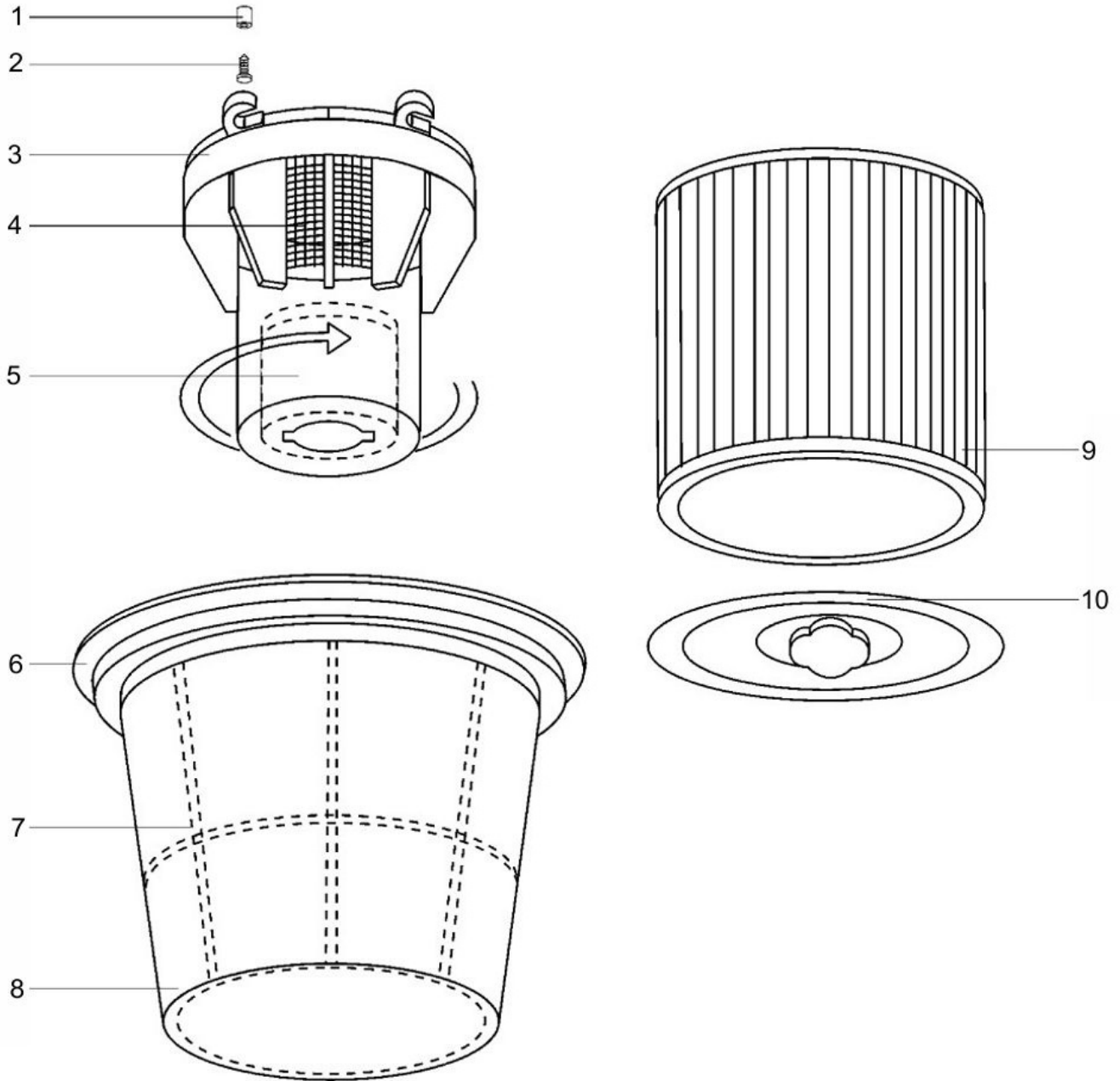
REF	PART NO.	ALT NO.	QTY	DESCRIPTION	SERIAL NO. FROM	NOTES
1A	8.616-284.0	S81122		CORD, 120 VOLT		
1B	8.616-283.0	S80117		CORD, 230 VOLT		
2	8.616-407.0	S80138	1	STRAIN RELIEF		
3	8.616-421.0	S80139	1	TERMINAL CLIP		
4	8.616-386.0	S81006	2	SCREW, 5 X 20		
5	8.616-389.0	S81054	4	SCREW, 5 X 50		
6	8.616-329.0	S86097AUG6	1	HANDLE, GRAY		
7	8.616-392.0	S81979	2	SCREW, 5 X 25		
8	8.616-385.0	S81005	2	SCREW, 5 X 14		
9	8.616-423.0	S80490	1	TERMINAL BLOCK		
10	8.616-288.0	S86070AUB.LAB	1	COVER, BLUE		
11	8.616-415.0	S80326	1	SWITCH, ON/OFF		
12	8.616-312.0	S83937	1	FILTER		
13	8.616-318.0	S81502	1	GASKET		
14	8.616-274.0	S83383	2	CAP		
15	8.616-286.0	S82957AUG6	1	COVER, GRAY		
16	-	S82627	9	SCREW, 5 X 40		
17	8.616-349.0	S82937AUG6	1	MOTOR BASE, GRAY		
18	-	S81004	1	SCREW, 3 X 19		
19	8.616-422.0	S80450	1	TERMINAL BLOCK		
20	8.616-321.0	S83969	1	GASKET		
21	8.616-378.0	S80310	1	RING		
22	8.616-320.0	S83901	3	L-GASKET		
23A	8.616-347.0	S81120S	1	MOTOR, 120 VOLT		
23B	8.616-351.0	S83891S	1	MOTOR, 230 VOLT		
24	8.616-350.0	S83451	2	MOTOR SEAL		
25	-	S82454	3	FILTER		
26	8.616-310.0	S83456	3	FILTER		
27	8.616-264.0	S83519	1	BASE PLUG		
28	8.616-263.0	S83108GG6	1	BASE		
29	8.616-341.0	T9008	1	LABEL, WINDSOR LOGO		

## Filter Group T708



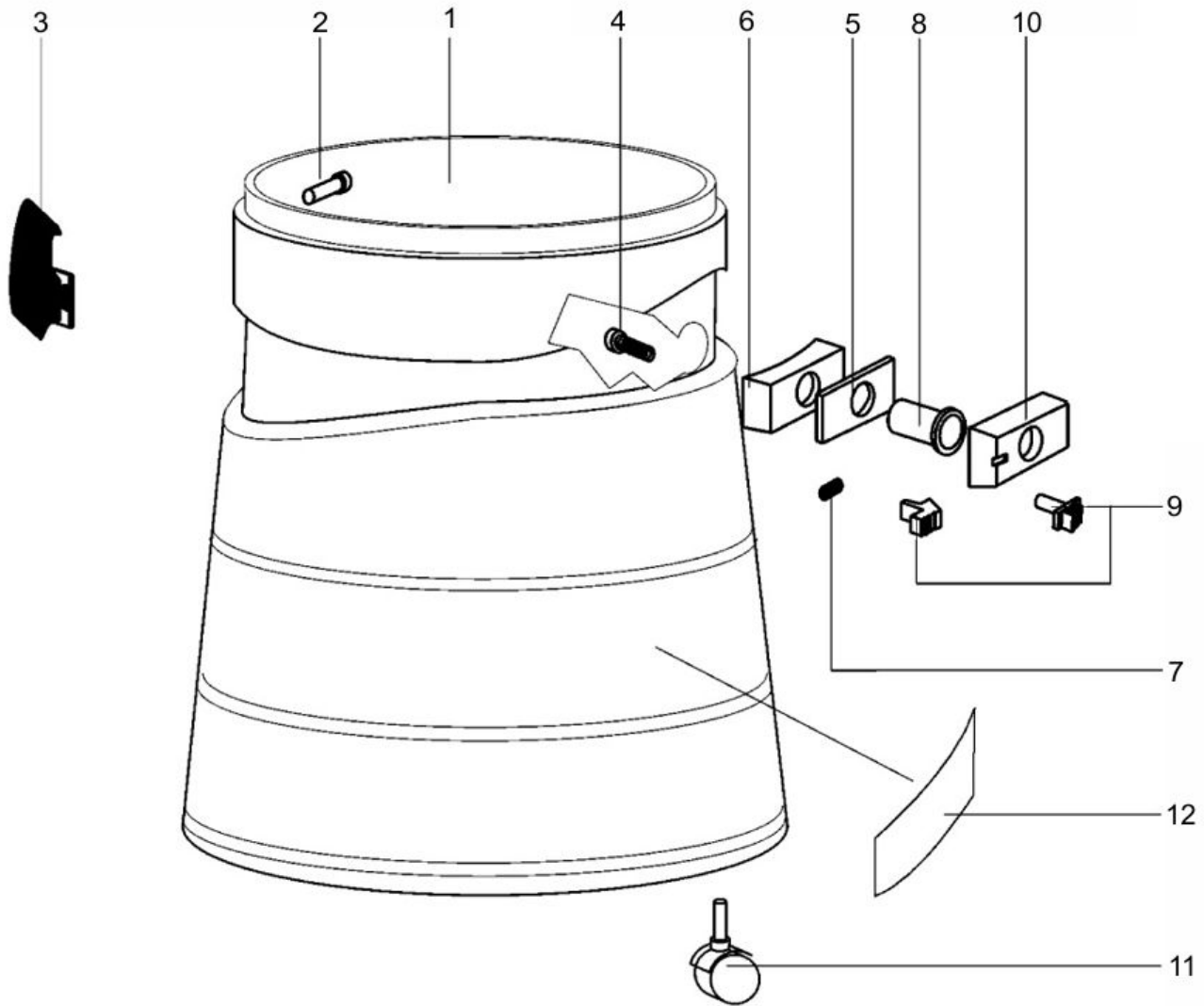
REF	PART NO.	ALT NO.	QTY	DESCRIPTION	SERIAL NO. FROM	NOTES
1	86162730	S83706	4	BUSHING		
2	86163950	S83724	4	SCREW, 5 X 25		
3	86162690	S82823	1	BODY, FILTER SUPPORT		
4	86163080	S83138	1	FILTER/STRAINER		
5	86163150	S82676	1	FLOAT		
6	-	S80123	1	RING, FILTER		
7	86163050	S82860	1	FILTER BAG		
8	86164130	S82859	1	SUPPORT, FILTER BAG		

**Filter T716 | T720TP**



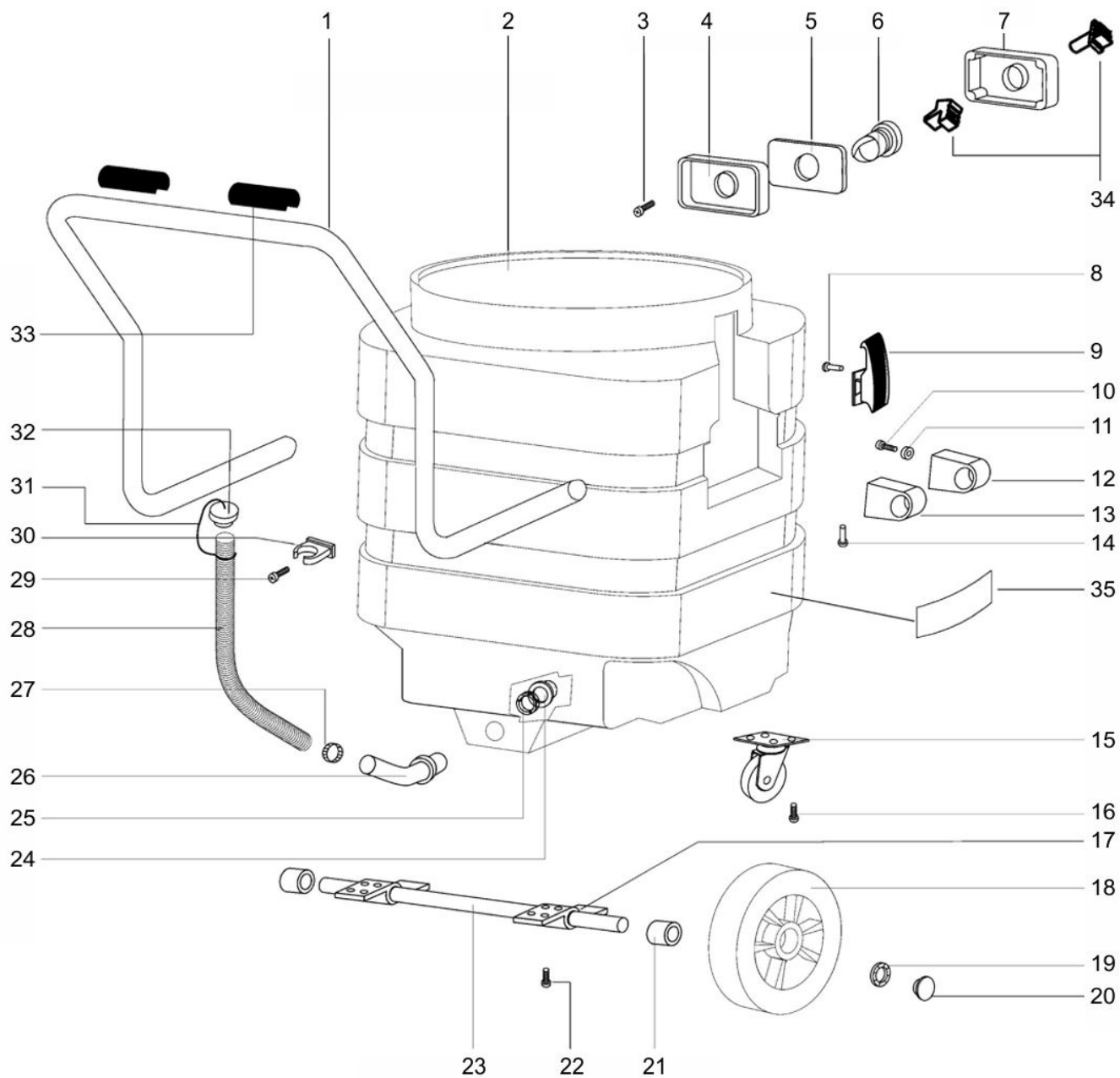
REF	PART NO.	ALT NO.	QTY	DESCRIPTION	SERIAL NO. FROM	NOTES
1	86162730	S83706	4	BUSHING		
2	86163950	S83724	4	SCREW, 5X25		
3	86162690	S82823	1	BODY, FILTER SUPPORT		
4	86164080	S83117	1	STRAINER		
5	86163150	S82676	1	FLOAT		
6	86163010	S80473	1	FILTER RING		
7	86163020	S82845	1	FILTER BAG		
8	86164120	S82833	1	SUPPORT, FILTER		
9	86163030	S82852	1	FILTER – OPTIONAL		
10	86163040	S82855	1	FILTER RETAINER – OPTIONAL		

# Tank T708



REF	PART NO.	ALT NO.	QTY	DESCRIPTION	SERIAL NO. FROM	NOTES
1	86164190	S82599	1	TANK		
2	86163800	S81300	4	RIVET, 5 X 24.5		
3	86164160	S81847G6	2	TANK CLAMP		
4	86163880	S81050	4	SCREW, M5 X 35		
5	86163190	S82846	1	GASKET		
6	86163770	S82585AG6BL	1	RETAINER, TANK ADAPTER		
7	86164010	S82608	1	SPRING, PUSH BUTTON		
8	86164180	S82593	1	TANK DEFLECTOR		
9	86163710	S82594BL	1	PUSH BUTTON, TWO-PIECE, BLUE		
10	86163360	S82583AG6BL	1	HOSE ADAPTER, BLUE		
11	86162760	S80558	6	CASTER		
12	86163400	T9007	1	LABEL, TITAN		

# Tank T716

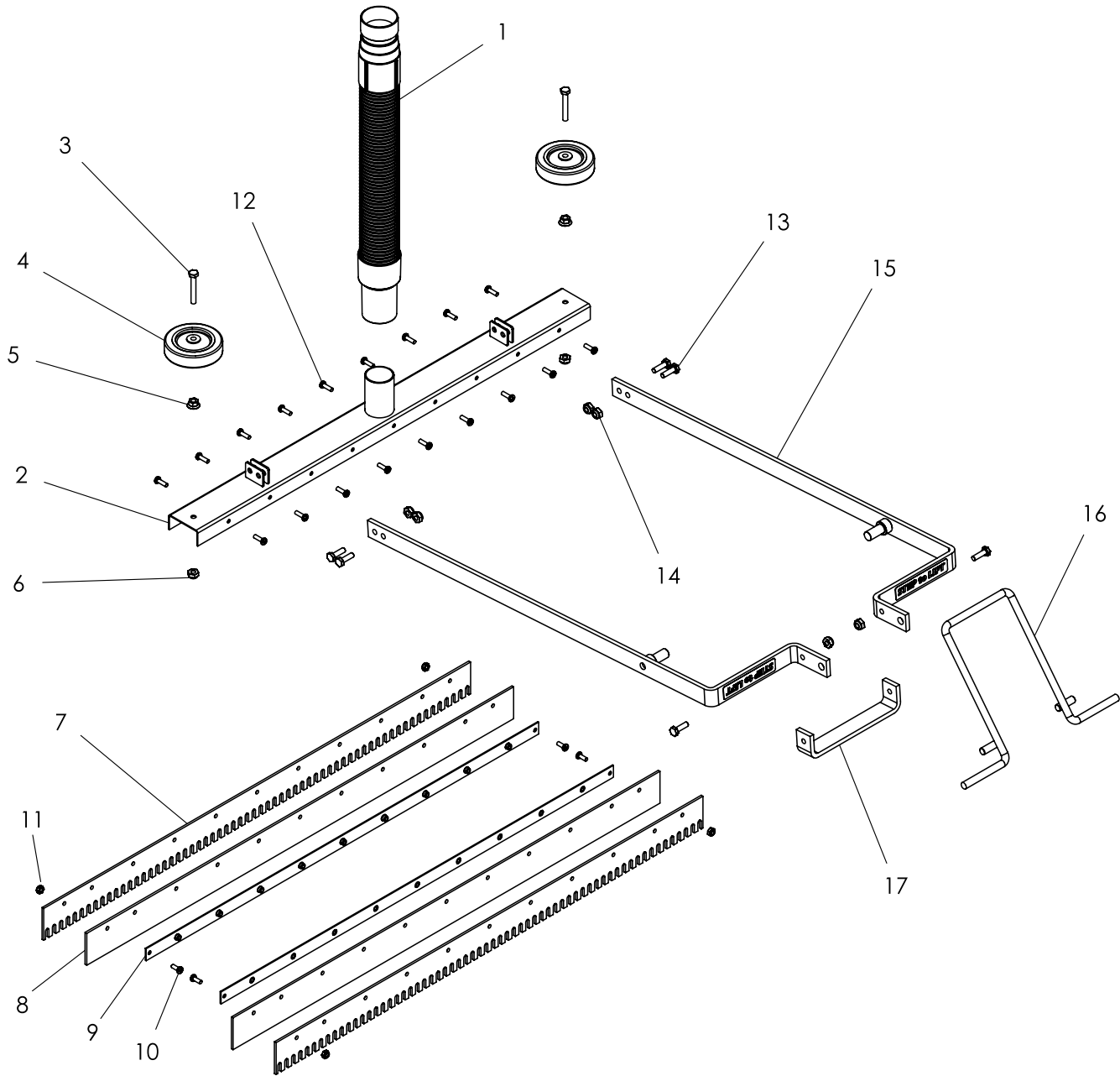


REF	PART NO.	ALT NO.	QTY	DESCRIPTION	SERIAL NO FROM	NOTES
1	86163270	S82558V	1	HANDLE		
2	86164200	S82637	1	TANK – 400		
3	86163870	S81026	4	SCREW, M5X		
4	86163760	S82584AG6	1	RETAINER, TANK		
5	86163190	S82846	1	GASKET		
6	86164180	S82593	1	DEFLECTOR, TANK		
7	86162560	S82652AG6	1	ADAPTER		
8	86163800	S81300	4	RIVET, 5 X 24.5		
9	86164160	S81847G6	2	CLAMP		
10	86163880	S81050	8	SCREW, M8 X 15		
11	86163670	S83883	8	PLASTIC WASHER		
12	86164090	S81072	2	SUPPORT, HANDLE		
13	86164100	S81860	2	SUPPORT		
14	86163810	S81302	2	RIVET, M5 X 19		
15	86164310	S82559	2	WHEEL CASTER		
16	86163930	S82680	8	SCREW, M8 X 15		
17	86164110	S82556	2	SUPPORT, AXLE		
18	86164300	S80904	2	WHEEL		
19	86162750	S82557	2	CAP, END		
20	86162600	S83835	2	AXLE CAP		
21	86164000	S82607	2	SPACER, WHEEL		
22	86163860	S81006	8	SCREW, M5 X 20		
23	86162580	S82555	1	AXLE		
24	86163570	S80834	1	NUT, FLANGE, 1-1/4		
25	86163170	S80256	1	GASKET		
26	86162980	S82763	1	ELBOW		
27	86162800	S83308	1	CLAMP		
28	86162950	S82765	1	DRAIN TUBE		
29	86163940	S83156	1	SCREW, M5 X 20		
30	86162810	S82788	1	CLIP TUBE		
31	-	S82812	1	TIE ROD, PLUG		
32	86163690	S82764	1	PLUG, STOPPER		
33	86163300	S86250	2	HANDGRIP		
34	86163710	S82594BL	1	PUSH BUTTON, TWO-PIECE, BLU		
35	86163400	T9007	1	LABEL, TITAN		



REF	PART NO.	ALT NO.	QTY	DESCRIPTION	SERIAL NO. FROM	NOTES
1	86164170	S82048	1	TANK – 400		
2	86163870	S81026	4	SCREW, M5 X 30		
3	86163670	S83883	4	PLASTIC WASHER		
4	86163310	S83028	1	HOOK, LATCH		
5	86163750	S82970	2	RELEASE SWIVEL		
6	86163740	S82969	2	RELEASE KNOB		
7	86164160	S81847G6	2	CLAMP		
8	86163800	S81300	4	RIVET		
9	86162560	S82652AG6	1	HOSE ADAPTER		
10	86164180	S82593	1	DEFLECTOR, TANK		
11	86163190	S82846	1	GASKET		
12	-	S82586AG6	1	RETAINER, TANK ADAPTER		
13	86163880	S81050	4	SCREW, M5 X 35		
14	86163710	S82594BL	1	PUSH BUTTON, TWO-PIECE, BLUE		
15	86163400	T9007	1	LABEL, TITAN		
16	86162620	S82185	1	BASE		
17	86163650	S80976	2	PLASTIC PAD		
18	86163560	S80478	2	NUT, M10		
19	86164260	S81012	2	WASHER, M10		
20	86164290	S80479	2	WHEEL, CASTER		
21	86164320	S82896	2	WHEEL		
22	86164280	S82922	2	WASHER		
23	86163660	S83607	2	PLASTIC RETAINER		
24	86162590	S82972	2	AXLE CAP		
25	86163300	S86250	2	HAND GRIP		

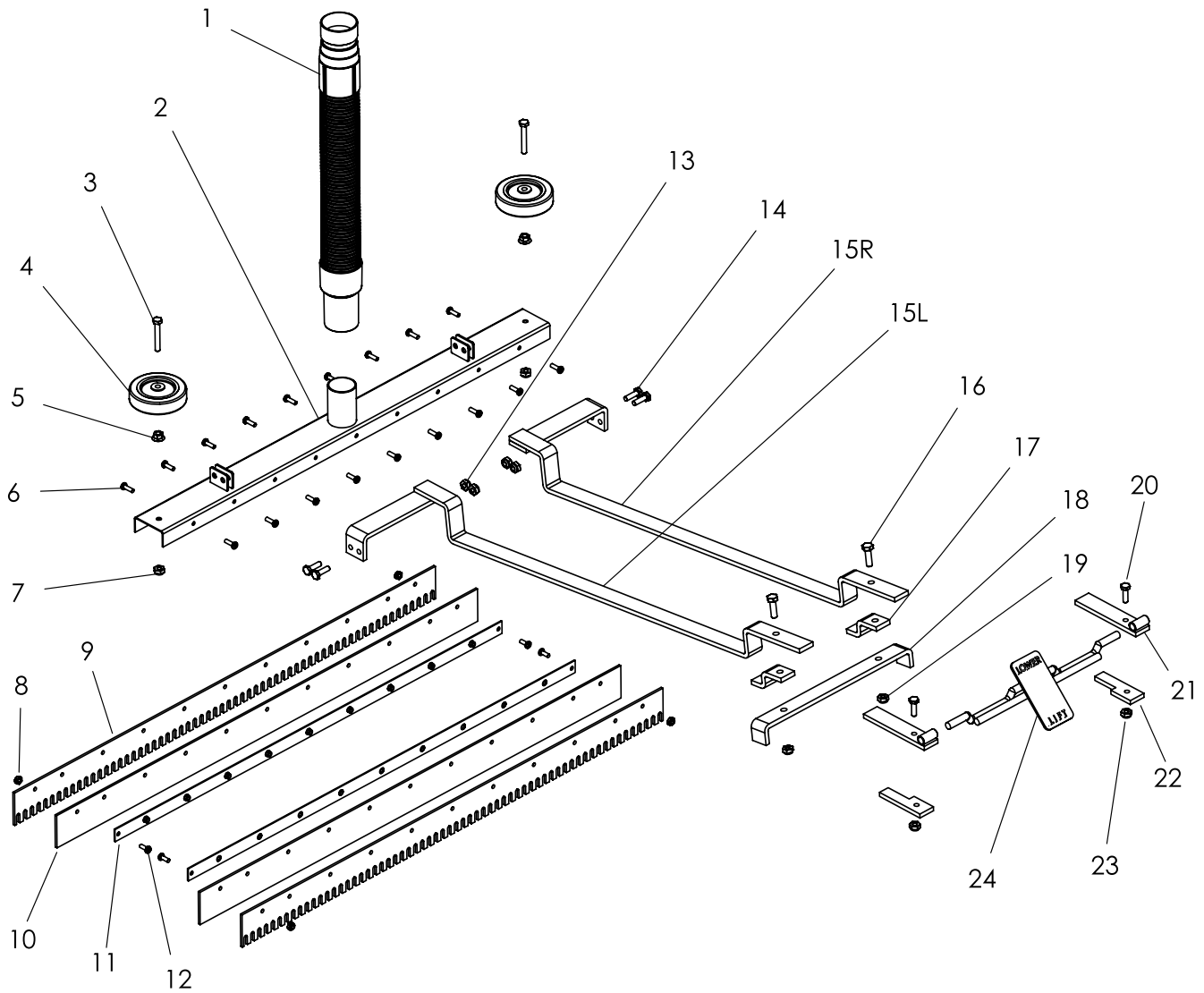
# Front Mounted Squeegee - TSQ16



**Front Mounted Squeegee - TSQ16**

REF	PART NO.	ALT NO.	QTY	DESCRIPTION	SERIAL NO. FROM	NOTES
1	86163330	BD705205	1	HOSE ASSEMBLY		
2	86163390	BD715508	1	HOUSING		
3	-	BD735608	2	BOLT, GUIDE WHEEL, 1/4-20 X 1.75"L.		
4	86163220	BD735607	2	GUIDE WHEEL		
5	-	BD735611	2	JAM NUT, 1/4-20 SERRATED FLANGED		
6	-	BD735609	2	NYLOCK NUT, 1/4-20		
7	86163960	BD735602	2	SLOTTED BLADE		
8	86163980	BD735601	2	SOLID BLADE		
9	86162650	BD715509	2	BLADE SUPPORT		
10	-	BD735604	4	BLADE END SCREW, 10-32 X 1/2"L, SS		
11	-	BD735605	4	BLADE END SCREW NUT, 10-32, NYLOCK		
12	-	BD735603	18	BLADE ATTACH'T SCREW, 10-32 X 5/8"L SS		
13	-	BD735612	6	MOUNTING BOLTS, 1/4-20 X 3/4"L		
14	-	BD735609	6	NYLOCK NUT, 1/4-20		
15	86163440	BD705201	2	LIFTING ARM		
16	86163420	BD705203	1	LATCH		
17	86162910	BD705202	1	CROSS MEMBER		
-	86162820	BD705200	1	COMPLETE SQUEEGEE ASSEMBLY		INCLUDES PARTS 2-12

# Front Mounted Squeegee - TSQ20



**Front Mounted Squeegee - TSQ20**

REF	PART NO.	ALT NO.	QTY	DESCRIPTION	SERIAL NO. FROM	NOTES
1	86163330	BD705205	1	HOSE ASSEMBLY		
2	86163390	BD715508	1	HOUSING		
3	-	BD735608	2	BOLT, GUIDE WHEEL, 1/4-20 X 175"L		
4	86163220	BD735607	2	GUIDE WHEEL		
5	-	BD735611	2	JAM NUT, 1/4-20 SERRATED FLANGED		
6	-	BD735603	18	BLADE ATTACH'T SCREW, 10-32 X 5/8"L SS		
7	-	BD735609	2	NYLOCK NUT, 1/4-20		
8	-	BD735605	4	BLADE END SCREW NUT, 10-32, NYLOCK		
9	86163960	BD735602	2	SLOTTED BLADE		
10	86163980	BD735601	2	SOLID BLADE		
11	86162650	BD715509	2	BLADE SUPPORT		
12	-	BD735603	4	BLADE ATTACH'T SCREW, 10-32 X 5/8"L SS		
13	-	BD735609	4	NYLOCK NUT, 1/4-20		
14	-	BD735612	4	MOUNTING BOLTS, 1/4-20 X 3/4"L		
15R	86163460	BD705225R	1	LIFTING ARM RIGHT SIDE		
15L	86163450	BD705225L	1	LIFTING ARM LEFT SIDE		
16	-	BD735613	2	BOLT, LIFTING ARM CLAMP, 5/16-18 X 1"L		
17	86162780	BD705209	2	CLAMP, LIFTING ARM		
18	86162920	BD705210	1	CROSS MEMBER		
19	-	BD735614	2	NYLOCK NUT, 5/16-18		
20	-	BD735612	2	BOLT, PEDAL MOUNT, 1/4-20 X 3/4"L		
21	86163630	BD705212	2	PEDAL MOUNT		
22	86162790	BD705213	2	CLAMP, PEDAL MOUNT		
23	-	BD735609	2	NYLOCK NUT, 1/4-20		
24	86163640	BD705229	1	PEDAL ASSEMBLY		

## Accessories

PART NO	ALT NO	DESCRIPTION	SERIAL NO FROM	NOTES
86164030	TSQ16	FRONT MOUNTED SQUEEGEE		
86164040	TSQ20	FRONT MOUNTED SQUEEGEE		
86163620	S72741	PAPER BAG		
86163050	S82860	FILTER BAG, STANDARD FOR 708 MODEL		
86163020	S82845	FILTER BAG, STANDARD FOR T716 AND T720TP		
86163030	S82852	FILTER CARTRIDGE, PAPER, OPTIONAL FOR T716 AND T720TP		*
86163000	S76061	FILTER CARTRIDGE, WASHABLE PAPER, OPTIONAL FOR T716 AND T720TP		*
86163070	S82995	FILTER CARTRIDGE, HEPA EQUIVALENT, OPTIONAL FOR T716 AND T720TP		*
86163060	S82881	FILTER CARTRIDGE, HEPA EQUIVALENT, OPTIONAL FOR T708		
86163040	S82855	CARTRIDGE FILTER RETAINER, FOR T716 AND T720TP		

\*Also order PN 86163040 (ALT S82855) Retainer with Filter.

## ***Suggested Spare Parts***

<b>PART NO</b>	<b>PRV NO</b>	<b>DESCRIPTION</b>	<b>SERIAL NO FROM</b>	<b>NOTES</b>
86163520	S8TOEG845	MOTOR BRUSH, 120 VOLT MOTOR		
86163530	S8TOGB839	MOTOR BRUSH, 230 VOLT MOTOR		
86164150	S80326	SWITCH, ON/OFF		
86163050	S82860	POLYESTER FILTER, T708		
86163020	S82845	POLYESTER FILTER, T716 AND T720TP		
86164080	S83117	STRAINER		