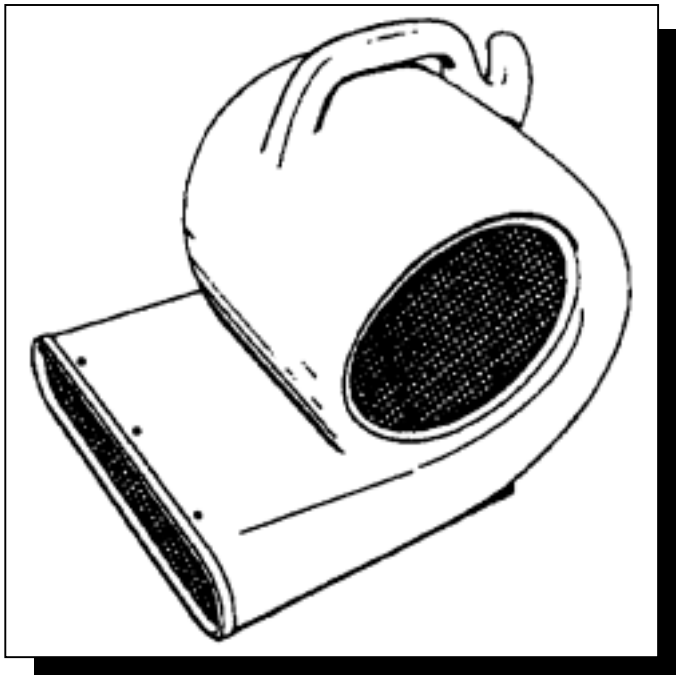


WINDBLOWER™



Operating Instructions (ENG)

MODEL: WB3

QUEST ...for Continuous Improvement

Windsor's Quality Management System is Certified ISO 9001.



Read instructions before operating the machine.

 **CLICK TO ORDER PARTS**

MACHINE DATA LOG/OVERVIEW

MODEL _____

DATE OF PURCHASE _____

SERIAL NUMBER _____

SALES REPRESENTATIVE # _____

DEALER NAME _____

OPERATIONS GUIDE NUMBER _____

PUBLISHED _____

Copyright 1995 Windsor Industries, Printed in USA

YOUR DEALER

Name: _____

Address: _____

Phone Number: _____

HOW TO USE THIS MANUAL

This manual contains the following sections:

- HOW TO USE THIS MANUAL
- SAFETY
- OPERATIONS
- MAINTENANCE
- PARTS LIST

The HOW TO USE THIS MANUAL section will tell you how to find important information for ordering correct repair parts.

Parts may be ordered from authorized Windsor dealers. When placing an order for parts, the machine model and machine serial number are important. Refer to the MACHINE DATA box which is filled out during the installation of your machine. The MACHINE DATA box is located on the inside of the front cover of this manual.

MODEL _____
DATE OF PURCHASE _____
SERIAL NUMBER _____
SALES REPRESENTATIVE # _____
DEALER NAME _____
OPERATIONS GUIDE NUMBER _____
PUBLISHED _____
<small>Copyright 1995 Windsor Industries, Printed in USA</small>

The model and serial number of your machine is on the bottom back-end of the machine.

The SAFETY section contains important information regarding hazard or unsafe practices of the machine. Levels of hazards is identified that could result in product or personal injury, or severe injury resulting in death.

The OPERATIONS section is to familiarize the operator with the operation and function of the machine.

The MAINTENANCE section contains preventive maintenance to keep the machine and its components in good working condition. They are listed in this general order:

- Power cord
- Dust in motor windings
- Motor sleeve bearings
- Fan Removal
- Power Cord/Capacitor
- Motor Removal
- Switch Replacement

The PARTS LIST section contains assembled parts illustrations and corresponding parts list. The parts lists include a number of columns of information:

- **REF** – column refers to the reference number on the parts illustration.
- **PART NO.** – column lists the part number for the part.
- **QTY** – column lists the quantity of the part used in that area of the machine.
- **DESCRIPTION** – column is a brief description of the part.
- **SERIAL NO. FROM** – column indicates the first machine the part number is applicable to. When the machine design has changed, this column will indicate serial number of applicable machine. The main illustration shows the most current design of the machine. The boxed illustrations show older designs.
- **NOTES** – column for information not noted by the other columns.

NOTE: If a service or option kit is installed on your machine, be sure to keep the KIT INSTRUCTIONS which came with the kit. It contains replacement parts numbers needed for ordering future parts.

TABLE OF CONTENTS

Machine Data Log/Overview 2

HOW TO USE THIS MANUAL

How to use this Manual 3
Table of Contents 4

SAFETY

Important Safety Instructions 5
Hazard Intensity Level 6
Grounding Instructions 7

OPERATION

On/Off Procedure 8

MAINTENANCE

Power Cord 8
Dust in Motor Windings 8
Lubricating Motor Sleeve Bearings 8
Fan Removal 8
Power Cord/Capacitor 8
Motor Removal 8
Switch Replacement 8
Wiring Diagram 9

GROUP PARTS LIST

Switch/Motor Assemblies 10
WB3 Assembly 12
Suggested Spare Parts/Notes 14
Warranty 15

IMPORTANT SAFETY INSTRUCTIONS

When using an electrical appliance, basic precaution must always be followed, including the following:

READ ALL INSTRUCTIONS BEFORE USING THIS MACHINE.



To reduce the risk of fire, electric shock, or injury:

Use only indoors. Do not use outdoors or expose to rain.

Use only as described in this manual. Use only manufacturer's recommended components and attachments.

If the machine is **not working properly**, has been dropped, damaged, left outdoors, or dropped into water, return it to an authorized service center.

Do not operate the machine with any openings blocked. Keep openings free of debris that may reduce airflow.

Machine can cause a fire when operating near flammable vapors or materials. Do not operate this machine near flammable fluids, dust or vapors.

This machine is suitable for commercial use, for example in hotels, schools, hospitals, factories, shops and offices for more than normal housekeeping purposes.

Maintenance and repairs **must be done** by qualified personnel.

During operation, attention shall be paid to other persons, especially children.

When leaving unattended, secure against unintentional movement.

The machine shall only be operated by instructed and authorized persons.

When leaving unattended, switch off or lock the main power switch to prevent unauthorized use.

Do not handle the plug or machine with wet hands.

Do not unplug machine by pulling on cord. To unplug, grasp the plug, not the cord.

Do not use with damaged cord or plug. Follow all instructions in this manual concerning grounding the machine.

Do not pull or carry by cord, use cord as a handle, close a door on cord, or pull cord around sharp edges or corners.

Do not pull/run machine over cord. **Keep** cord away from heated surfaces.

Connect to a **properly** grounded outlet. See Grounding Instructions.

Use only on GFCI protected receptacles.

Do not use this fan with any solid-state speed control device.

SAVE THESE INSTRUCTIONS

HAZARD INTENSITY LEVEL

The following symbols are used throughout this guide as indicated in their descriptions:

HAZARD INTENSITY LEVEL

There are three levels of hazard intensity identified by signal words -**WARNING** and **CAUTION** and **FOR SAFETY**. The level of hazard intensity is determined by the following definitions:

WARNING

WARNING - Hazards or unsafe practices which COULD result in severe personal injury or death.

CAUTION

CAUTION - Hazards or unsafe practices which could result in minor personal injury or product or property damage.

FOR SAFETY: To Identify actions which must be followed for safe operation of equipment.

Report machine damage or faulty operation immediately. Do not use the machine if it is not in proper operating condition. Following is information that signals some potentially dangerous conditions to the operator or the equipment. Read this information carefully. Know when these conditions can exist. Locate all safety devices on the machine. Please take the necessary steps to train the machine operating personnel.

FOR SAFETY:

DO NOT OPERATE MACHINE:

Unless Trained and Authorized.

Unless Operation Guide is Read and understood.

In Flammable or Explosive areas.

In areas with possible falling objects.

WHEN SERVICING MACHINE:

Avoid moving parts. Do not wear loose clothing; jackets, shirts, or sleeves when working on the machine. Use Windsor approved replacement parts.

GROUNDING INSTRUCTIONS

THIS PRODUCT IS FOR COMMERCIAL USE ONLY.

ELECTRICAL:

In the USA this machine operates on a standard 15 amp 115V, 60 hz, A.C. power circuit . The amp, hertz, and voltage are listed on the data label found on each machine. Using voltages above or below those indicated on the data label will cause serious damage to the motors.

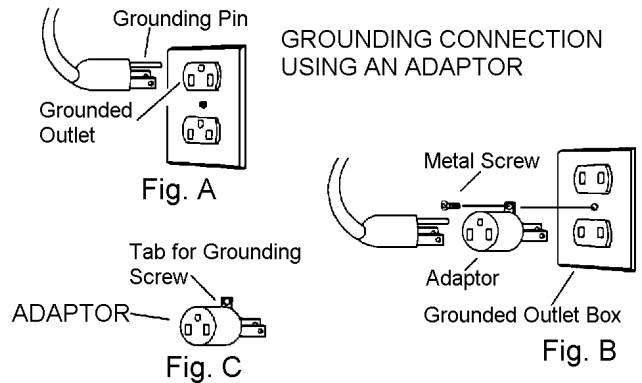
EXTENSION CORDS:

If an extension cord is used, the wire size must be at least one size larger than the power cord on the machine, and must be limited to 50 feet (15.5m) in length.

GROUNDING INSTRUCTIONS:

This appliance must be grounded. If it should malfunction or break down, grounding provides a path of least resistance for electric current to reduce the risk of electric shock. This appliance is equipped with a cord having an equipment-grounding conductor and grounding plug. The plug must be inserted into an appropriate outlet that is properly installed and grounded in accordance with all local codes and ordinances.

This appliance is for use on a nominal 120-volt circuit, and has a grounded plug that looks like the plug in "Fig. A". A temporary adaptor that looks like the adaptor in "Fig. C" may be used to connect this plug to a 2-pole receptacle as shown in "Fig. B", if a properly grounded outlet is not available. The temporary adaptor should be used only until a properly grounded outlet (Fig. A) can be installed by a qualified electrician. The green colored rigid ear, lug, or wire extending from the adaptor must be connected to a permanent ground such as a properly grounded outlet box cover. Whenever the adaptor is used, it must be held in place by a metal screw.



Note: Adaptors are not allowed in Canada.

⚠ WARNING

Improper connection of the equipment-grounding conductor can result in a risk of electric shock. Check with a qualified electrician or service person if you are in doubt as to whether the outlet is properly grounded. Do not modify the plug provided with the appliance - if it will not fit the outlet, have a proper outlet installed by a qualified electrician.

OPERATION & MAINTENANCE

OPERATION

1. Open the doors or windows if possible to aid in ventilation.
2. Ensure that the unit is turned off; plug the power cord into the outlet.
3. Turn the switch to the desired speed.
4. Turn the unit off before un-plugging the power cord from the outlet.

MAINTENANCE

1. Frequently inspect power cord for frayed or damaged insulation.
2. Periodically remove screen and check motor windings for dust build-up. Use a vacuum or compressed air to remove dust build-up.
3. Add a few drops of oil (SAE #20 non-detergent) to motor sleeve bearings after 3 years of normal or one year of heavy service.



Remove machine power cord from electrical source before making any repairs or adjustments to machine.

FAN REMOVAL

1. Remove screen (Ref. 42) from fan side of the housing.
2. Remove shaft support bushing assembly (Ref. 37)
3. Loosen setscrew on fan hub and remove fan from motor shaft.

NOTE: When reinstalling the fan, make sure the motor shaft is clean and apply a thin coat of silicon lubricant to shaft to help assembly.

POWER CORD/CAPACITOR

Power cord and capacitor can be serviced by removing the fan (P/N 34132) and the airflow plate (P/N 62139).

MOTOR REMOVAL

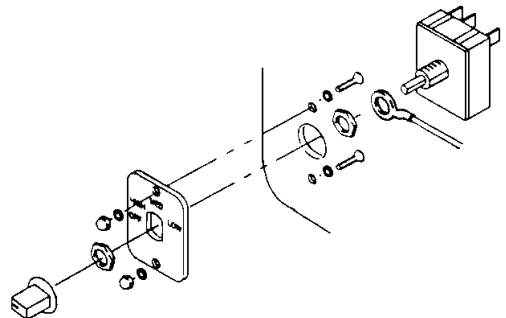
1. Remove the fan as noted above.
2. Remove airflow plate (P/N 62139) and disconnect wiring from switch (P/N 72120) and capacitor (P/N 27272). Disconnect power cord. (P/N 23575).
3. Remove screen (P/N 73216) from motor side of housing.
4. Remove screws, nuts and washers (P/N's 70360,57047,87013) from motor brackets and remove motor from housing.

CAUTION: When reinstalling motor and fan, make sure the wires are positioned and secured so they will not touch fan during rotation.

CAUTION: When reinstalling electrical parts, refer to wiring diagram for correct connections

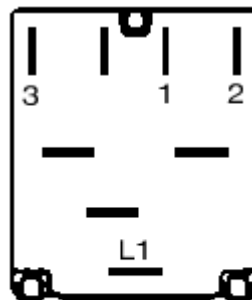
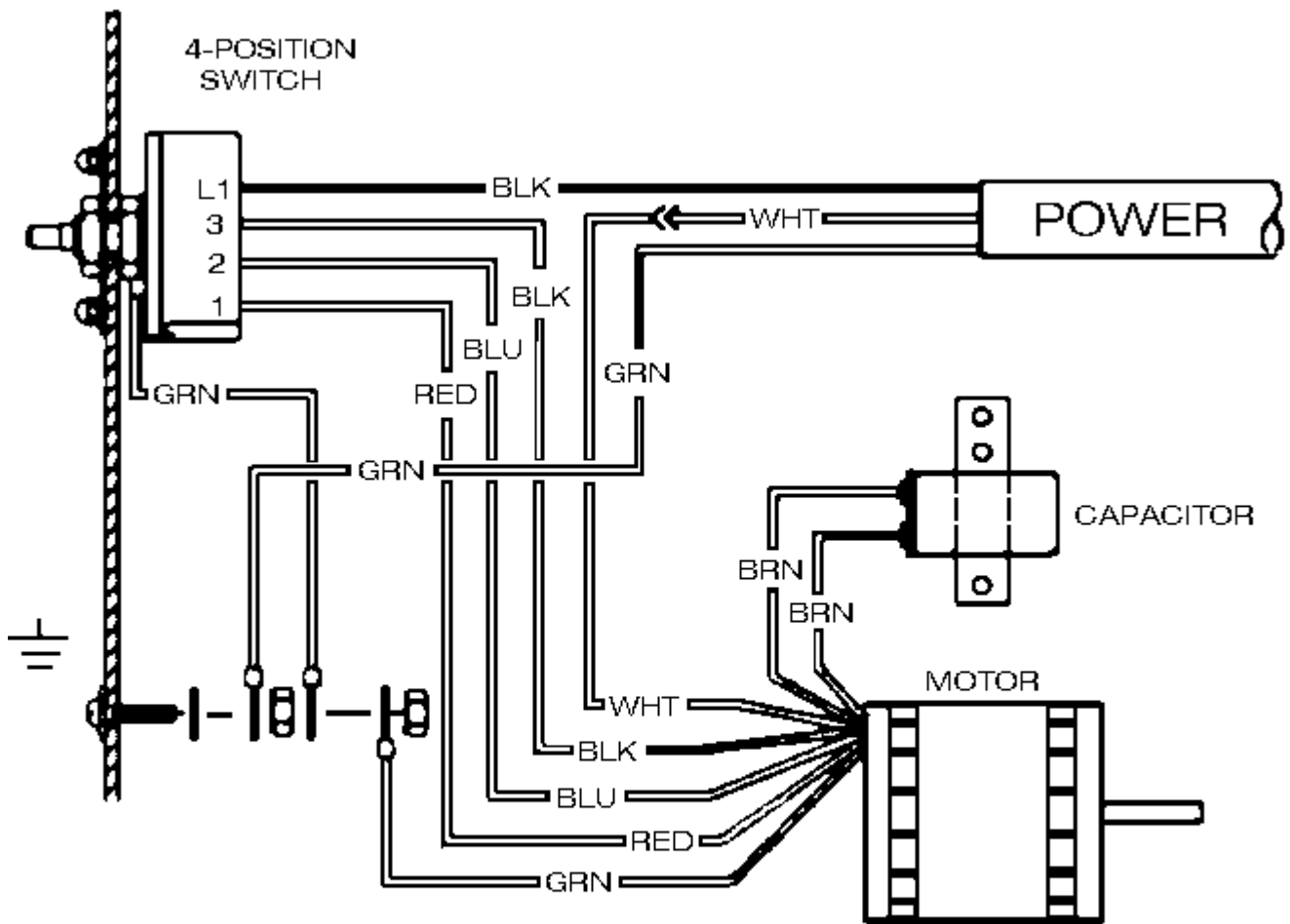
SWITCH REPLACEMENT

1. Remove knob, fasteners, and switch plate to access the switch.
2. Disconnect all wires to existing switch.
3. Connect wires to new switch. (See Wiring Diagram, pg. 9)
4. Re-assemble switch to knob as shown below. (See page 10 for part number references)



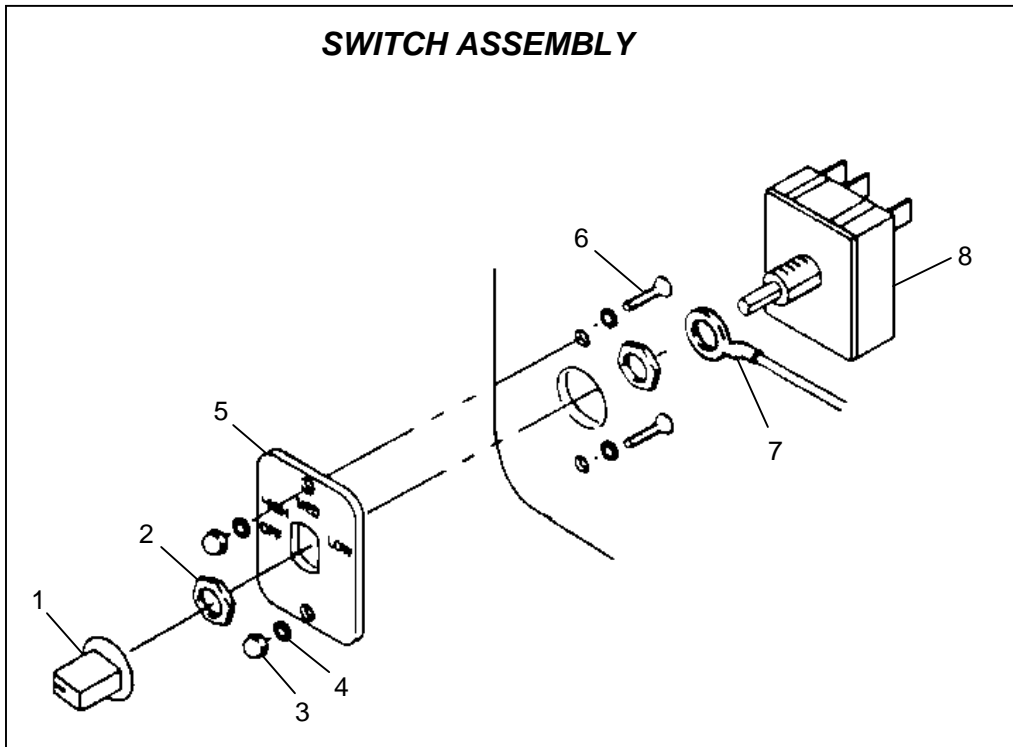
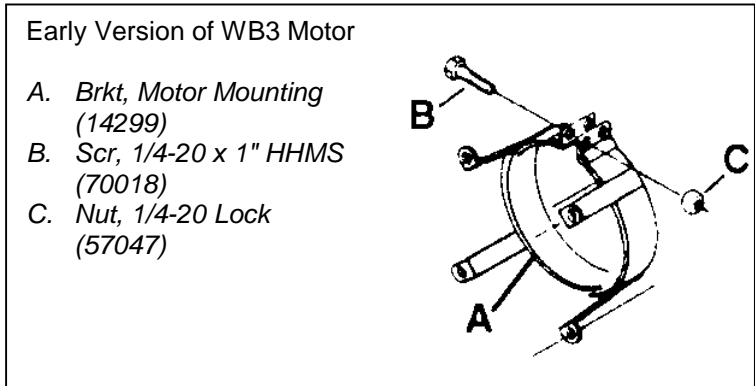
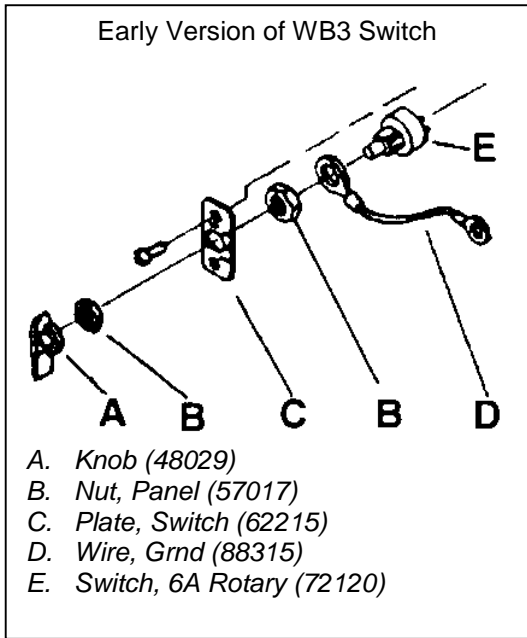
WIRING DIAGRAM

115V Wiring Diagram: NOTE: 240V uses blue & brown vs. white & black, respectively.



REAR VIEW OF SWITCH

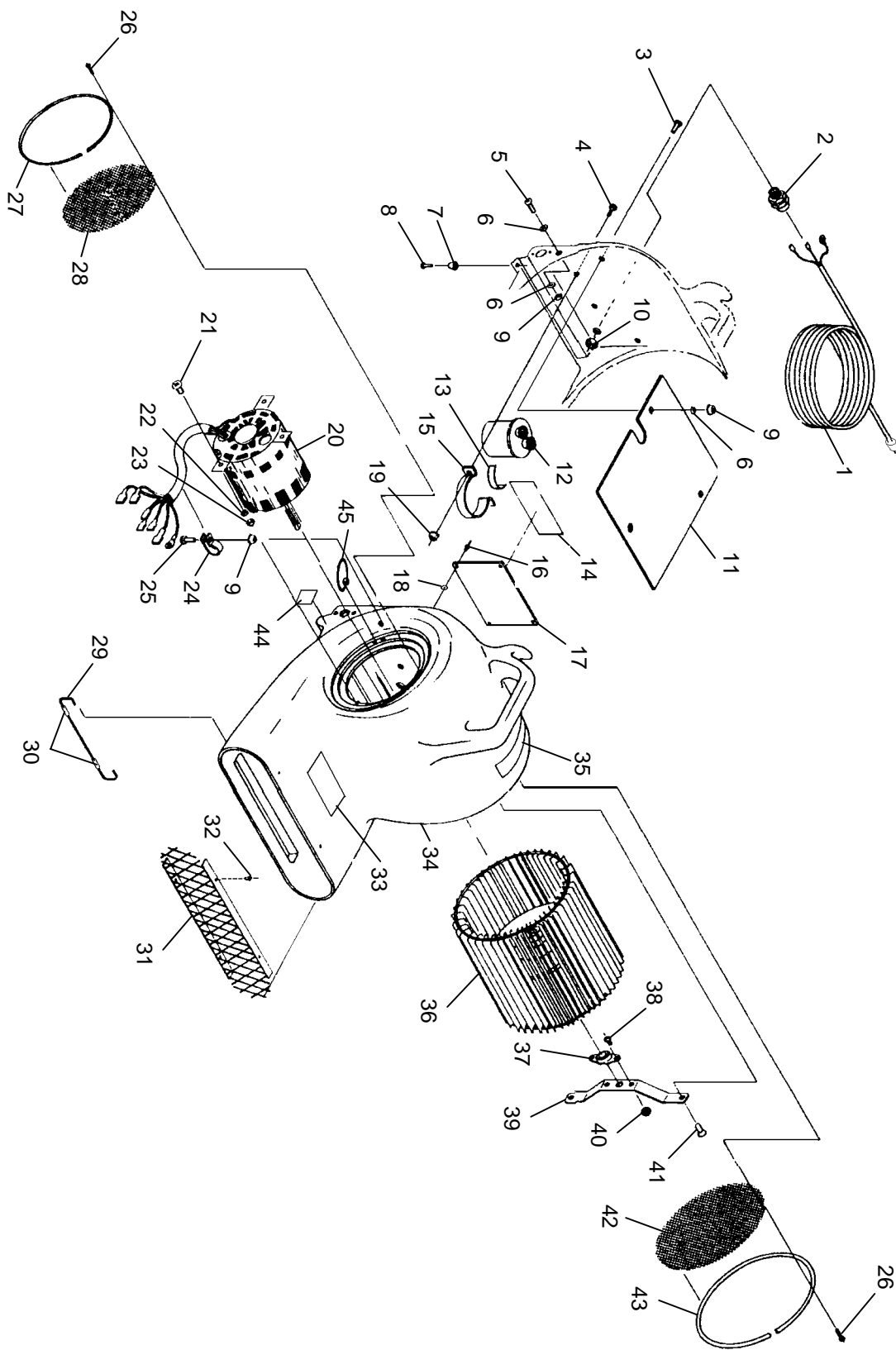
SWITCH/MOTOR ASSEMBLIES



SWITCH PARTS LIST

REF	PART NO.	DESCRIPTION	SERIAL NO. FROM	NOTES:
1	48029	KNOB, ROTARY SWITCH		
2	57017	NUT, 15/32-32 HEX PANEL ZINC		
3	57187	NUT, 6-32 ACORN ZINC		
4	87138	WASHER, #6 INT STAR ZINC		
5	62333	PLATE, (GE) SWITCH		
6	70448	SCR, 6-32 X 1/2 PFHMS PLTD		
7	88315	WIRE, 5" GRN/18 76008 X 76030		
8	72120	SWITCH, 3 SPEED ROTARY		

WB3 ASSEMBLY



WB3 PARTS LIST

REF	PART NO.	DESCRIPTION	SERIAL NO. FROM	NOTES:
1	23575	CORD ASM, 16/3 X 25 SJTW YLW WB3		
2	73195	STRAIN RELIEF, 1/2 NPT		
3	70066	SCR, 10-32 X 3/4 PPHMS		
4	70243	SCR, 8-32 X 1/2 SPHMS BLK		
5	70386	SCR, 10-32 X 1.0 PPHMS		
6	87018	WASHER, #10 X 9/16 OD		
7	66082	PAD, VIBRATION		
8	70024	SCR, #8 X 1/2 SHT METAL SS		
9	57104	NUT, 10-32 W/STAR WASHER		
10	57040	NUT, 1/2 NPT CONDUIT		
11	62139	PLATE, AIRFLOW		
12	27272	CAPACITOR, 15MFD 370V 50/60HZ		
13	99864	TAPE, 1/32T X .75 2SA (.5")		
14	50344	LABEL, WARNING		
15	14446	BRKT, CAPACITOR		
16	67023	RIVET, 1/8 OD X 3/8 GRIP		
17	62214	PLATE, WARNING LABEL		
18	87068	WASHER, 1/8 RIVET BACKUP		
19	57106	NUT, 8-32 W/STAR WASHER		
20	53149	MOTOR, 115V 3SPD 1650 RPM		
21	70360	SCR, 1/4-20 X .75 PPHMS PHIL		
22	87013	WASHER, 1/4 ID X 5/8 OD SS		
23	57047	NUT, 1/4-20 HEX NYLOCK		
24	20008	CLAMP, 5/8 NYLON UL/CSA		
25	70211	SCR, 10-32 X 3/4 PH BLK NYLON		
26	70219	SCR, #6 X 1/2 SHT MTL BLK		
27	78134	TRIM, RIGHT SCREEN X 30.5"		
28	73216	SCREEN, RIGHT SIDE		
29	51174	LEG, FOLDING		
30	99858	TUBE, 3/16 ID X 3/32W NEOPRENE		
31	36056	GUARD, FRONT		
32	67091	RIVET, 3/16 OD X 1/4 GRIP		
33	50184	LABEL, -W- BLK/SIL (3X4)		
34	41140	HOUSING, 115V WB3-UL BLU		
35	50278	LABEL, WB3 MAIN		
36	34132	FAN, SQUIRREL CAGE		
37	09023	BEARING ASM, SHAFT SUPPORT		
38	70116	SCR, 10-32 X 5/8 FHMS		
39	14298	BRKT, MOTOR SHAFT SUPPORT		
40	57030	NUT, 10-32 HEX NYLOCK		
41	70166	SCR, 1/4-20 X 1/2 FHCS PLTD		
42	73217	SCREEN, LEFT SIDE		
43	78135	TRIM, LEFT SIDE X 33"		
44	50776	LABEL, FOR SAFETY		
45	27050	CABLE TIE, 3.5" UL/CSA		

SUGGESTED SPARE PARTS LIST/NOTES

SUGGESTED SPARE PARTS LIST

PART NO.	DESCRIPTION	SERIAL NO. FROM	NOTES:
72120	SWITCH, 3 SPEED ROTARY		
27272	CAPACITOR, 15 MFD 370V 50/60HZ		
09023	BEARING ASM, SHAFT SUPPORT		

NOTES



LIMITED WARRANTY

Windsor Industries, Inc. warrants new machines against defects in material and workmanship under normal use and service to the original purchaser. The warranty period is subject to the conditions stated below.

3 YEARS FOR PARTS AND 1 YEAR FOR SERVICE LABOR

Exceptions: Rotationally molded polyethylene tanks carry a **6 year** parts and 1 year service labor warranty. VERSAMATIC® models carry a 3 year warranty on brush motors, vacuum motors, and belts, and a 1 year service labor warranty. SENSOR® models carry a 2 year warranty on vacuum motors and belts, and a 1 year service labor warranty. Extractor brush motors, pump motors, pc boards and electronics, vac motors (other than VERSAMATIC® and SENSOR®), pumps, and FLEXSOL™ diaphragms, all RADIUS™, all ACCESS™ and TITAN™1 carry a 1 year parts and service labor warranty. Propane equipment has a 1 year parts and service warranty. The Onan® engines have a 3 year manufacturers' warranty. The Honda® engines have a 2 year manufacturers' warranty. The engine warranty is administered through the engine manufacturer and must be repaired at an authorized service center.

Normal wear items including, but not limited to, belts, brushes, capacitors, carbon brushes, casters, clutches, cords, filters, finishes, gaskets, hoses, light bulbs, rectifiers, switches, squeegees, bearings, pulleys, relays, actuating cables, tires and wheels will be warranted for manufacturing defects for 90 days from the purchase date.

The warranty commences on the purchase date by the original end user from an authorized Windsor Agent, subject to proof of purchase. The Machine Registration Card must be completed and returned immediately at the time of purchase. If proof of purchase cannot be identified, the warranty start date is 90 days after date of sale to an authorized Windsor distributor. Parts replaced or repaired under warranty are guaranteed for the remainder of the original warranty period.

90 DAY WARRANTY EXTENSION AVAILABLE

Upon receipt of the Machine Registration Card, Windsor will extend the warranty period an additional 90 days from the purchase date. Does not include items warranted 90 days for manufacturing defects.

STATED WARRANTIES ARE IN LIEU OF ALL OTHER WARRANTIES, EXPRESSED OR IMPLIED.

Any statutory implied warranties, including any warranty of merchantability or fitness for a particular purpose, are expressly limited to the duration of this written warranty. Windsor will not be liable for any other damages, including but not limited to indirect or special consequential damages arising out of or in connection with the furnishing; performance, use or inability to use the machine. This remedy shall be the exclusive remedy of the buyer.

This warranty shall not apply to: 1.damage in transit; 2.misuse or abuse(including the use of incompatible or corrosive chemicals or overloading of capacity); 3. failure due to lack of proper maintenance and care (including cleaning); 4.any design alterations performed by an organization not authorized or specified by Windsor; 5.batteries and chargers. 6. high pressure washing. 7.electrical components exposed to moisture.

If difficulty develops during the warranty period, contact the authorized Windsor Agent from whom the product was purchased. Windsor, Inc. may elect to require the return of components to validate a claim. Any defective part to be returned must be shipped freight pre-paid to an authorized Windsor Distributor/Service Center or to the Windsor factory.

USE OF PARTS NOT APPROVED BY WINDSOR, INC. WILL VOID ALL WARRANTIES.

This warranty is valid only for all products sold after July 1, 1995. A product sold before that date shall be covered by the limited Warranty in effect at the date of sale to the original purchaser.



WINDSOR INDUSTRIES, INC., 1351 W. Stanford Ave., Englewood, CO 80110 USA
Phone: 303-762-1800 Fax: 303-762-0817 Internet: www.windsorind.com