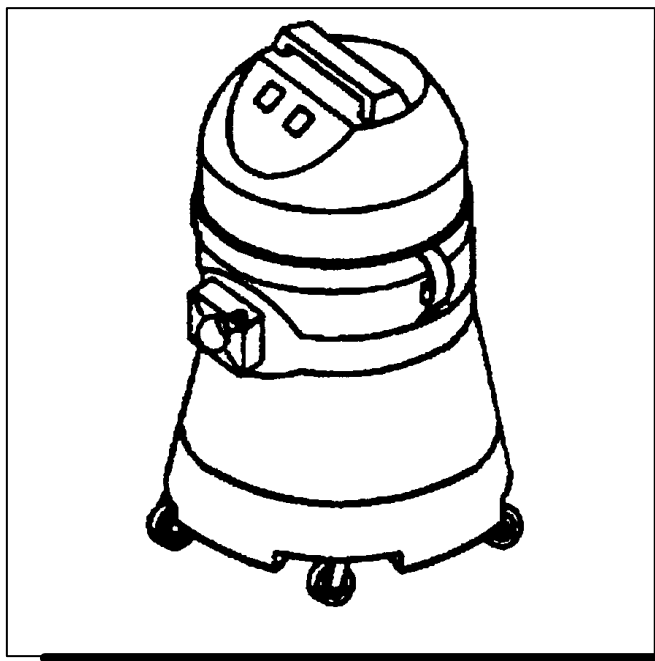


  
**TITAN**



**WET/DRY VACUUM**

Operating Instructions (ENG)



**MODEL: T1**

**QUEST.** for Continuous Improvement  
Windsor's Quality Management System is Certified ISO 9001.

---

*Read these instructions before operating the machine.*

 **CLICK TO ORDER PARTS**

# TABLE OF CONTENTS

MODEL	_____
DATE OF PURCHASE	_____
SERIAL NUMBER	_____
SALES REPRESENTATIVE #	_____
DEALER NAME	_____

---

<i>Data Log/Table of Contents</i> .....	1	<i>Wiring Diagram</i> .....	7
<i>Safety Instructions</i> .....	2	<i>Machine Assembly</i> .....	8
<i>Hazard Intensity Level</i> .....	3	<i>Parts Lists</i> .....	9
<i>Grounding Instructions</i> .....	4	<i>Warranty</i> .....	10
<i>Operations</i> .....	5		
<i>Troubleshooting</i> .....	6		

---

## **INSPECTION**

Carefully unpack and inspect your machine for shipping damage. Each unit is operated and thoroughly inspected before shipping, and any damage is the responsibility of the carrier, who should be notified immediately.

# IMPORTANT SAFETY INSTRUCTIONS

When using an electrical appliance, basic precaution must always be followed, including the following:

READ ALL INSTRUCTIONS BEFORE USING THIS MACHINE.



## WARNING:

To reduce the risk of fire, electric shock, or injury:

**Use only** indoors. Do not use outdoors or expose to rain.

**Use only** as described in this manual. Use only manufacturer's recommended components and attachments.

If the machine is **not working properly**, has been dropped, damaged, left outdoors, or dropped into water, return it to an authorized service center.

**Do not** operate the machine with any openings blocked. Keep openings free of debris that may reduce airflow.

This machine **is not** suitable for picking up hazardous dust.

**Machine can cause a fire** when operating near flammable vapors or materials. Do not operate this machine near flammable fluids, dust or vapors.

**This machine is suitable for commercial use, for example in hotels, schools, hospitals, factories, shops and offices for more than normal housekeeping purposes.**

Maintenance and repairs **must be done** by qualified personnel.

**During operation**, attention shall be paid to other persons, especially children.

**When leaving unattended**, secure against unintentional movement.

**The machine shall only** be operated by instructed and authorized persons.

**When leaving unattended**, switch off or lock the main power switch to prevent unauthorized use.

**Do not** handle the plug or machine with wet hands.

**Do not** unplug machine by pulling on cord. To unplug, grasp the plug, not the cord.

**Do not** use with damaged cord or plug. Follow all instructions in this manual concerning grounding the machine.

**Do not** pull or carry by cord, use cord as a handle, close a door on cord, or pull cord around sharp edges or corners.

**Do not** pull/run machine over cord. **Keep** cord away from heated surfaces.

Connect to a **properly** grounded outlet. See Grounding Instructions.

## SAVE THESE INSTRUCTIONS

## **HAZARD INTENSITY LEVEL**

The following symbols are used throughout this guide as indicated in their descriptions:

### **HAZARD INTENSITY LEVEL**

There are three levels of hazard intensity identified by signal words -**WARNING** and **CAUTION** and **FOR SAFETY**. The level of hazard intensity is determined by the following definitions:

#### **! WARNING**

**WARNING** - Hazards or unsafe practices which COULD result in severe personal injury or death.

#### **! CAUTION**

**CAUTION** - Hazards or unsafe practices which could result in minor personal injury or product or property damage.

#### ***FOR SAFETY: To identify actions which must be followed for safe operation of equipment.***

Report machine damage or faulty operation immediately. Do not use the machine if it is not in proper operating condition. Following is information that signals some potentially dangerous conditions to the operator or the equipment. Read this information carefully. Know when these conditions can exist. Locate all safety devices on the machine. Please take the necessary steps to train the machine operating personnel.

#### ***FOR SAFETY:***

**DO NOT OPERATE MACHINE:**

Unless Trained and Authorized.

Unless Operation Guide is Read and understood.

In Flammable or Explosive areas.

In areas with possible falling objects.

#### ***WHEN SERVICING MACHINE:***

**Avoid moving parts. Do not wear loose clothing; jackets, shirts, or sleeves when working on the machine. Use Windsor approved replacement parts.**

# GROUNDING INSTRUCTIONS

**THIS PRODUCT IS FOR COMMERCIAL USE ONLY.**

## ELECTRICAL:

In the USA this machine operates on a standard 15 amp 115V, 60 hz, A.C. power circuit . The amp, hertz, and voltage are listed on the data label found on each machine. Using voltages above or below those indicated on the data label will cause serious damage to the motors.

## EXTENSION CORDS:

If an extension cord is used, the wire size must be at least one size larger than the power cord on the machine, and must be limited to 50 feet (15.5m) in length.

## GROUNDING INSTRUCTIONS:

This appliance must be grounded. If it should malfunction or break down, grounding provides a path of least resistance for electric current to reduce the risk of electric shock. This appliance is equipped with a cord having an equipment-grounding conductor and grounding plug. The plug must be inserted into an appropriate outlet that is properly installed and grounded in accordance with all local codes and ordinances.

This appliance is for use on a nominal 120-volt circuit, and has a grounded plug that looks like the plug in "Fig. A". A temporary adaptor that looks like the adaptor in "Fig. C" may be used to connect this plug to a 2-pole receptacle as shown in "Fig. B", if a properly grounded outlet is not available. The temporary adaptor should be used only until a properly grounded outlet (Fig. A) can be installed by a qualified electrician. The green colored rigid ear, lug, or the like extending from the adaptor must be connected to a permanent ground such as a properly grounded outlet box cover. Whenever the adaptor is used, it must be held in place by a metal screw.

## **⚠ WARNING**

Improper connection of the equipment-grounding conductor can result in a risk of electric shock. Check with a qualified electrician or service person if you are in doubt as to whether the outlet is properly grounded. Do not modify the plug provided with the appliance - if it will not fit the outlet, have a proper outlet installed by a qualified electrician.

## PROPER GROUNDING



Fig. A

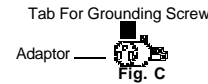


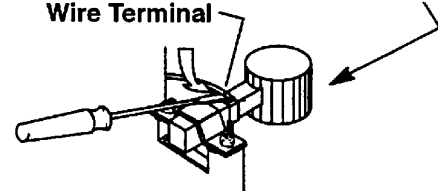
Fig. C

**NOTE: In Canada, the use of a temporary adaptor is not permitted by the Canadian Electrical Code**

## MAINTENANCE

If armature commutator is not concentric, extremely pitted, or grooved the motor will need to be replaced or sent to a qualified service center.

### Wire Terminal

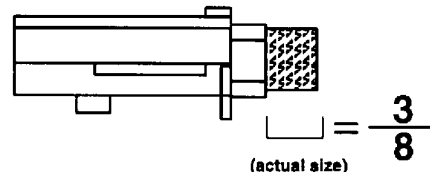
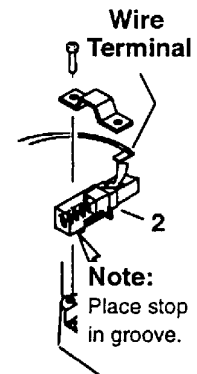


### Note:

When replacing carbon vac motor brushes loosen wire terminal **BEFORE** removing screws on bracket.

### Important:

These brushes wear quicker as the length shortens due to increased heat. **Spring inside brush housing will damage motor if brushes are allowed to wear away completely.**



Periodically check the length of the carbon brushes  
Replace both carbon brushes when either is less than 3/8" long.

# OPERATING INSTRUCTIONS AND ACCESSORIES

## Dry Pick Up

Dry Filter must be used during all dry pick up jobs to protect vacuum motor(s) against dirt and debris. Routine cleaning of filter will increase life of machine. Use of supplemental paper filters will greatly reduce time spent cleaning Dry Filter.

## Wet Pick Up

Remove Dry Filter. Thoroughly empty dirt and debris from tank. Securely fasten top on tank with latches. Machine is ready for wet pick up using hose, extension wand(s) and/or wet tools.

## Hose Connection

Insert large end of hose into inlet on side of tank. Hose will automatically lock in place. To release, press button on top of inlet and remove hose.

## Dry Pick Up Floor Tool

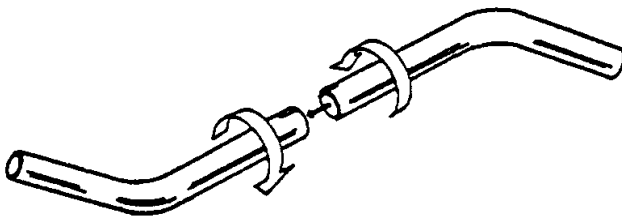
Use for dry pick up. Best when used on hard floors. Twist floor tool clockwise onto extension wand until snug.

## Wet Pick Up Floor Tool

For use on wet surfaces. Twist clockwise onto extension wand until snug.

## Extension Wands

The two extension wands can be used individually or fitted together for "stand-up" floor cleaning. Slip one wand inside other as far as it will go and twist together until indentations on sides of wands line up.



## Large Crevice Tool

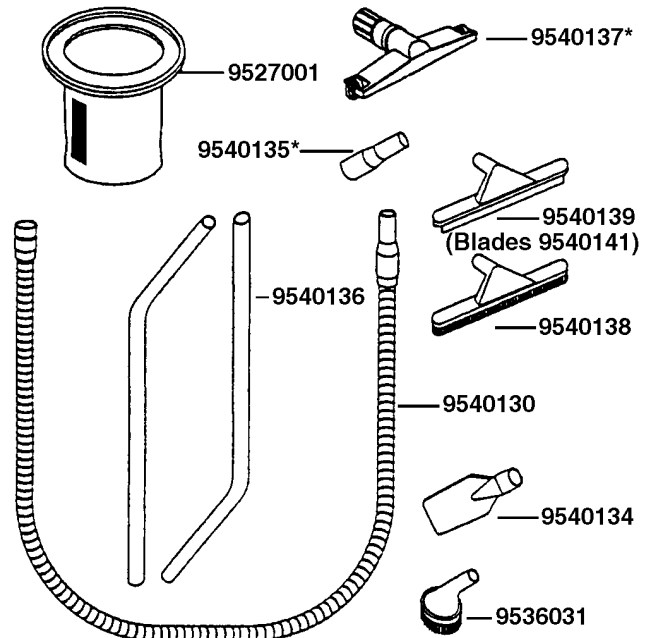
Use for wet or dry pick up. For best fit, twist snugly onto extension wand or hose.

## Hose Adapter

For wet or dry use. Your machine is equipped with a 1.5" diameter hose. Hose Adaptor enables machine to use 1.25" tools. Dusting tool included with machine must be used with Hose Adapter,

## Dusting Tool

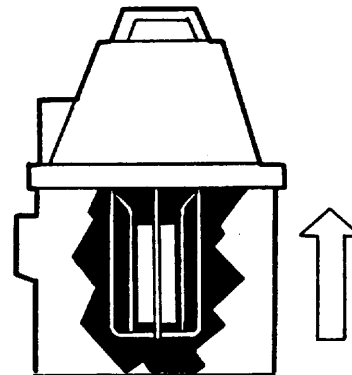
For dusting dry surfaces. Twist onto Hose Adaptor or Extension Wand(s).



**\*Not Included with Machine**

## AUTOMATIC SHUT OFF

Automatic shut off functions when tank has been filled with liquid. As tank fills, float rises until it covers lower motor filter. This shuts off vacuum suction when machine is full. To continue use, turn off power switch and unplug power cord. Remove top and empty tank.



# TROUBLESHOOTING

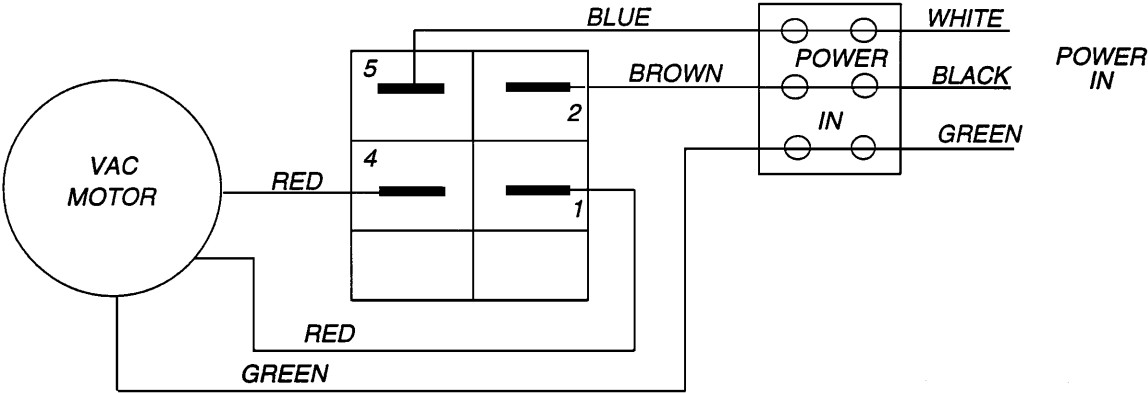
## TROUBLESHOOTING GUIDE

*NOTE: Remember to disconnect the power source.*

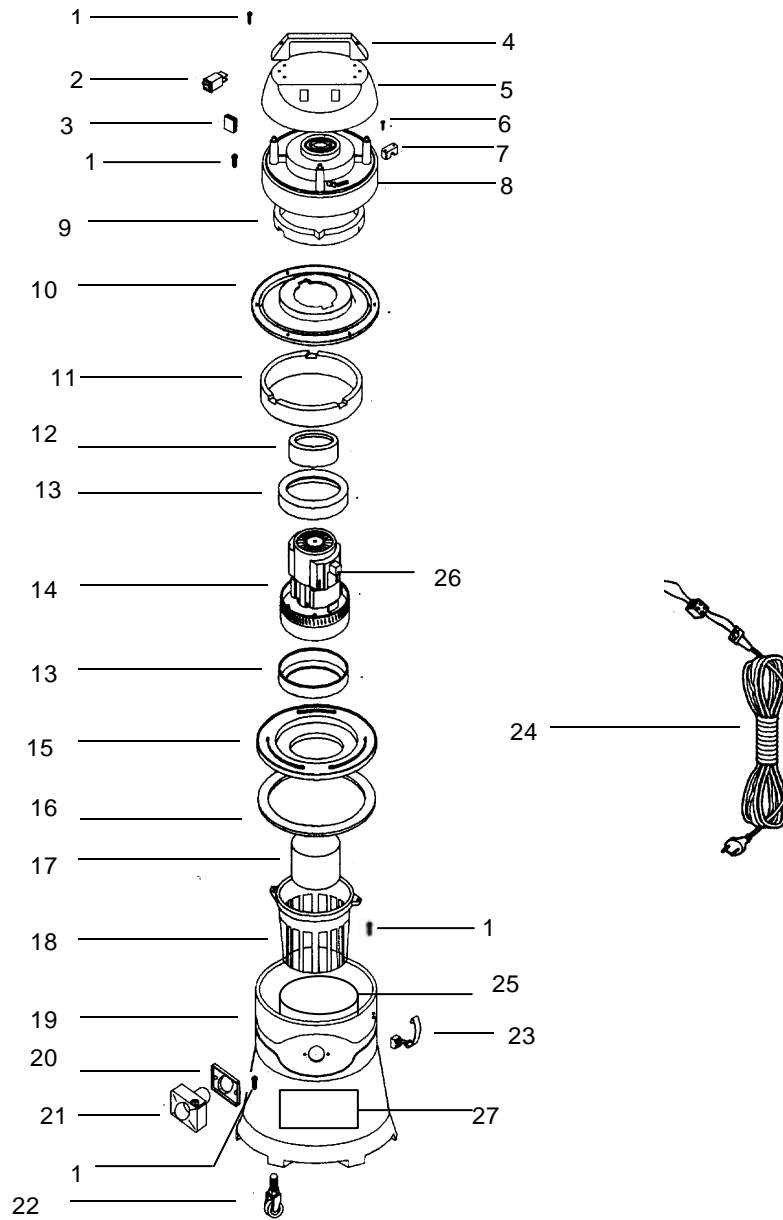
This guide can be used to find the reason for malfunctions that can occur.

<b>PROBLEM</b>	<b>REASON</b>
Motor Does Not Run	Not plugged in. Fuse or circuit breaker blown. Worn plug, connection loose inside plug. Wire break in electrical cord. Motor brushes worn. Defective switch or motor.
Weak Vacuum Power	Obstructions in tool, wand or hose, such as lint or paper clips caught sideways in hose: foam (wet pick up only). Dirty filter bag. Plugged deflector inside tank at air inlet. Cracks or air leaks in hose, loose cuffs at connections. Air leak between head and tank, clamps not tight, tank rim deformed or head seal defective.
No Vacuum Air Flow	Hose, wand or tool plugged. Float in raised position. Obstruction inside head or on motor.
Float Shuts Off Without Water in Tank	Filter bag pushed into float cage, holding too loose to motor. Parts damaged, missing or incorrectly assembled, holding float too close to motor.

# WIRING DIAGRAM



# MACHINE ASSEMBLY



## MACHINE ASSEMBLY PARTS LIST

REF	PART NO.	QTY	DESCRIPTION	SERIAL NO. FROM	NOTES:
1	9560002	22	Screw		
2	9510531	1	Switch, Power 115V		
3	9550021	1	Plug		
4	9560048	1	Handle, Motor Housing		
5	9560007	1	Cover, Upper Motor		
6	9560010	3	Screw, Power Cord Support		
7	9540506	1	Support, Power Cord		
8	9560049	1	Housing, Motor		
9	9560051	1	Insulation, Vacuum Motor Top		
10	9560022	1	Support, Vacuum Motor		
11	9595006	1	Insulation, Vacuum Motor Bottom		
12	9595007	1	Gasket, Upper Vacuum Motor		
13	9560037	1	Gasket, Lower Vacuum Motor		
14	9527003	1	Motor, Vacuum		
15	9560027	1	Cover, Tank		
16	9560028	1	Gasket, Tank Cover		
17	9527014	1	Float		
18	9558023	1	Cage, Float		
19	9527002	1	Tank		
20	9560017	1	Gasket, Hose Coupler		
21	9560043	1	Coupler, Hose		
22	9560021	4	Caster		
23	95PL061	2	Latch		
24	9560041	1	Power Cord, Complete		
25	9595018	1	Filter, Sponge		
26	95R003	1	Carbon Brushes for 9527003		Not shown
27	500015	1	Label, Main		



## **LIMITED WARRANTY**

Windsor Industries, Inc. warrants new machines against defects in material and workmanship under normal use and service to the original purchaser. The warranty period is subject to the conditions stated below.

### **3 YEARS FOR PARTS AND 1 YEAR FOR SERVICE LABOR**

Exceptions: Rotationally molded polyethylene tanks carry a **6 year** parts and 1 year service labor warranty. VERSAMATIC® models carry a 3 year warranty on brush motors, vacuum motors, and belts, and a 1 year service labor warranty. SENSOR® models carry a 2 year warranty on vacuum motors and belts, and a 1 year service labor warranty. Extractor brush motors, pump motors, pc boards and electronics, vac motors (other than VERSAMATIC® and SENSOR®), pumps, and FLEXSOL™ diaphragms, all RADIUS™ and TITAN™ Wet/Dry Vacs carry a 1 year parts and service labor warranty. Propane equipment has a 2 year manufactured parts warranty. The Onan® engines have a 3 year manufacturers' warranty. The Honda® /Kawasaki® engines have a 2 year manufacturers' warranty. **NOTE:** The engine warranty is administered through the engine manufacturer and must be repaired at an authorized service center.

Normal wear items including, but not limited to, belts, brushes, capacitors, carbon brushes, casters, clutches, cords, filters, finishes, gaskets, hoses, light bulbs, rectifiers, switches, squeegees, bearings, pulleys, relays, actuating cables, tires, Propane batteries and wheels will be warranted for manufacturing defects for 90 days from the purchase date.

The warranty commences on the purchase date by the original end user from an authorized Windsor Agent, subject to proof of purchase. The Machine Registration Card must be completed and returned immediately at the time of purchase. If proof of purchase cannot be identified, the warranty start date is 90 days after date of sale to an authorized Windsor distributor. Parts replaced or repaired under warranty are guaranteed for the remainder of the original warranty period.

### **90 DAY WARRANTY EXTENSION AVAILABLE**

Upon receipt of the Machine Registration Card, Windsor will extend the warranty period an additional 90 days from the purchase date. Does not include items warranted 90 days for manufacturing defects.

### **STATED WARRANTIES ARE IN LIEU OF ALL OTHER WARRANTIES, EXPRESSED OR IMPLIED.**

Any statutory implied warranties, including any warranty of merchantability or fitness for a particular purpose, are expressly limited to the duration of this written warranty. Windsor will not be liable for any other damages, including but not limited to indirect or special consequential damages arising out of or in connection with the furnishing; performance, use or inability to use the machine. This remedy shall be the exclusive remedy of the buyer.

This warranty shall not apply to: 1.damage in transit; 2.misuse or abuse(including the use of incompatible or corrosive chemicals or overloading of capacity); 3. failure due to lack of proper maintenance and care (including cleaning); 4.any design alterations performed by an organization not authorized or specified by Windsor; 5.batteries and chargers. 6. high pressure washing. 7.electrical components exposed to moisture.

If difficulty develops during the warranty period, contact the authorized Windsor Agent from whom the product was purchased. Windsor, Inc. may elect to require the return of components to validate a claim. Any defective part to be returned must be shipped freight pre-paid to an authorized Windsor Distributor/Service Center or to the Windsor factory.

### **USE OF PARTS NOT APPROVED BY WINDSOR, INC. WILL VOID ALL WARRANTIES.**

This warranty is valid only for all products sold after July 1, 1995. A product sold before that date shall be covered by the limited Warranty in effect at the date of sale to the original purchaser.



**WINDSOR INDUSTRIES, INC., 1351 W. Stanford Ave., Englewood, CO 80110 USA**  
Phone: 303-762-1800 Fax: 303-762-0817 Internet: [www.windsorind.com](http://www.windsorind.com)