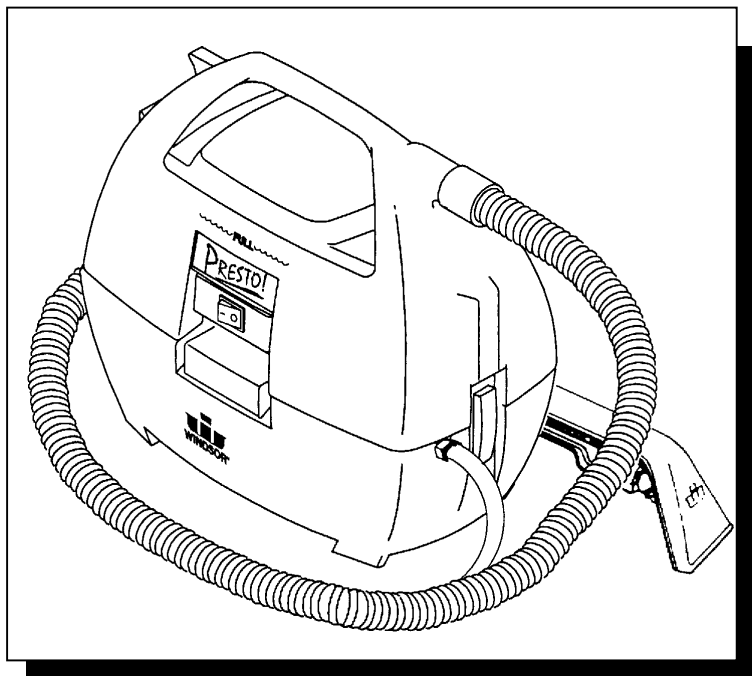


# PRESTO!

## MINI-EXTRACTOR



Operating Instructions (GB/USA)

**MODEL:** PRS  
PRSJ



UL LISTING COVERS 115V PRS MODEL ONLY

**QUEST**® ... for Continuous Improvement.  
Windsor's Quality Management System is Certified ISO 9001.

 **CLICK TO ORDER PARTS**

# IMPORTANT SAFETY INSTRUCTIONS

When using an electrical appliance, basic precaution must always be followed, including the following:

READ ALL INSTRUCTIONS BEFORE USING THIS MACHINE.



## **WARNING:**

To reduce the risk of fire, electric shock, or injury:

**Use only** indoors. Do not use outdoors or expose to rain.

**Use only** as described in this manual. Use only manufacturer's recommended components and attachments.

If the machine is **not working properly**, has been dropped, damaged, left outdoors, or dropped into water, return it to an authorized service center.

**Do not** operate the machine with any openings blocked. Keep openings free of debris that may reduce airflow.

This machine is **not** suitable for picking up hazardous dust.

**Machine can cause a fire** when operating near flammable vapors or materials. Do not operate this machine near flammable fluids, dust or vapors.

**This machine is suitable for commercial use, for example in hotels, schools, hospitals, factories, shops and offices for more than normal housekeeping purposes.**

Maintenance and repairs **must be done** by qualified personnel.

**During operation**, attention shall be paid to other persons, especially children.

**When leaving unattended**, secure against unintentional movement.

**The machine shall only** be operated by instructed and authorized persons.

**When leaving unattended**, switch off or lock the main power switch to prevent unauthorized use.

**Do not** handle the plug or machine with wet hands.

**Do not** unplug machine by pulling on cord. To unplug, grasp the plug, not the cord.

**Do not** use with damaged cord or plug. Follow all instructions in this manual concerning grounding the machine.

**Do not** pull or carry by cord, use cord as a handle, close a door on cord, or pull cord around sharp edges or corners.

**Do not** pull/run machine over cord. **Keep** cord away from heated surfaces.

Connect to a **properly** grounded outlet. See Grounding Instructions.

## SAVE THESE INSTRUCTIONS

## **HAZARD INTENSITY LEVEL**

The following symbols are used throughout this guide as indicated in their descriptions:

### **HAZARD INTENSITY LEVEL**

There are three levels of hazard intensity identified by signal words -**WARNING** and **CAUTION** and **FOR SAFETY**. The level of hazard intensity is determined by the following definitions:



**WARNING** - Hazards or unsafe practices which COULD result in severe personal injury or death.



**CAUTION** - Hazards or unsafe practices which could result in minor personal injury or product or property damage.

### ***FOR SAFETY: To identify actions which must be followed for safe operation of equipment.***

Report machine damage or faulty operation immediately. Do not use the machine if it is not in proper operating condition. Following is information that signals some potentially dangerous conditions to the operator or the equipment. Read this information carefully. Know when these conditions can exist. Locate all safety devices on the machine. Please take the necessary steps to train the machine operating personnel.

### ***FOR SAFETY:***

**DO NOT OPERATE MACHINE:**

Unless Trained and Authorized.

Unless Operation Guide is Read and understood.

In Flammable or Explosive areas.

In areas with possible falling objects.

### ***WHEN SERVICING MACHINE:***

**Avoid moving parts. Do not wear loose clothing; jackets, shirts, or sleeves when working on the machine. Use Windsor approved replacement parts.**

## GROUNDING & OPERATION

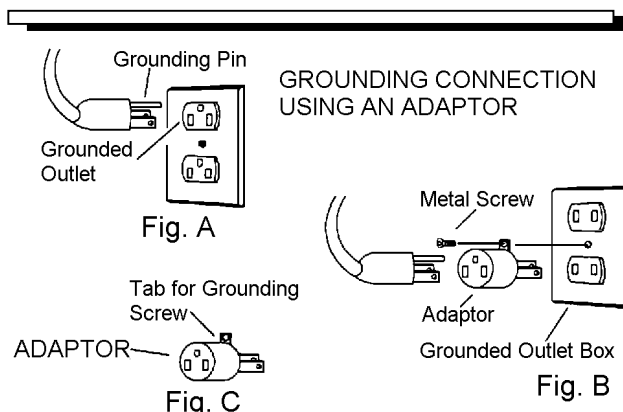
### INSPECTION

Carefully unpack and inspect your mini-extractor for shipping damage. Each unit is operated and thoroughly inspected before shipping and any damage is the responsibility of the carrier, who should be notified immediately.

### GROUNDING INSTRUCTIONS

This appliance must be grounded. If it should malfunction or breakdown, grounding provides a path of least resistance for electric current to reduce the risk of electric shock. This appliance is equipped with a cord having an equipment-grounding conductor and grounding plug. The plug must be inserted into an appropriate outlet that is properly installed and grounded in accordance with all local codes and ordinances.

This appliance is for use on a nominal 120-volt circuit, and has a grounded plug that looks like the plug in "Fig. A". A temporary adaptor that looks like the adaptor in "Fig. C" may be used to connect this plug to a 2-pole receptacle as shown in "Fig. B", if a properly grounded outlet is not available. The temporary adaptor should be used only until a properly grounded outlet (Fig. A) can be installed by a qualified electrician. The green colored rigid ear, lug, or the like extending from the adaptor must be connected to a permanent ground such as a properly grounded outlet box cover. Whenever the adaptor is used, it must be held in place by a metal screw.



Note: Adaptors are not allowed in Canada.

### EXTENSION CORDS

If an extension cord is used, the wire size must be at least one size larger than the power cord

on the machine. This mini-extractor is equipped with a 25 ft. 16/3 power cord.

**Do not exceed the 50-ft. cord limit.**

### A. SET UP AND OPERATION

1. Upon removing your new mini-extractor from the box, loosen the two latches at either end of the machine that secure the recovery tank to the solution tank. Remove the recovery tank from the solution tank.
2. Pour up to 2 U.S. gallons (7.6 liters) of clean, hot water into the blue solution tank. **To avoid possible tank distortion, water temperature must not exceed 140 F (60C).**
3. Add a non-foaming cleaning solution concentrate, for use in hot water extractors at the proportions noted on the container (See list below), into solution tank.
4. Place the recovery tank back onto the solution tank and refasten the two latches.
5. Plug the power cord into grounded outlet (See GROUNDING INSTRUCTIONS).
6. Connect the vac and cleaning tool hoses to the extractor. Insure that the female solution hose coupler is securely locked onto the male coupler on the extractor.

**WARNING! To prevent possible disease hazard, before attempting to clean bodily fluids spills, you must kill any viruses, germs or bacteria present in the bodily fluid.**

#### SUITABLE CHEMICALS

Alkalis  
Clorox II Bleach\*  
Defoaming Agents  
Detergents  
Hydroxides  
Oxygen Bleaches  
Soaps  
Hydrocarbons  
Sta-Puf Fabric Softener\*  
Vinegar

#### INCOMPATIBLE CHEMICALS

Aldehydes  
Aromatic Hydrocarbons  
Butyls  
Carbon Tetrachloride  
Clorox\*  
Chlorinated Bleaches  
Chlorinated  
  
D-Limonene  
Lysol\*  
Methyls (MEK)  
Perchlorethylene (perc)  
Phenols  
Trichlorethylene

\*Registered Trademark

## OPERATION (Continued) & TROUBLESHOOTING

- Turn on the power switch on the side of the extractor. Squeeze the solution lever on the cleaning tool to spray cleaning solution and place the vacuum head on the surface to be cleaned.

**IMPORTANT!** ALWAYS TEST UPHOLSTERY FOR COLOR FASTNESS IN AN INCONSPICUOUS PLACE. Also, to avoid prolonged drying times, do not spray too much solution in any one area.

- When cleaning, be sure to monitor the level of recovered solution in the recovery tank. When the solution reaches the FULL mark, shut off the extractor, loosen the latches and empty the recovery tank.

**WARNING!** DO NOT operate the extractor if the solution level is above the FULL mark on the recovery tank; water could be drawn directly into the vac motor and this will damage the motor.

**NOTE:** The solution pump is not intended to run dry. When using this extractor for vacuum pick-up only, insure that the pump switch is turned off.

### B. WHEN FINISHED OPERATING

**WARNING!!** Before making any adjustments or performing maintenance, disconnect the power cord from the electrical source.

- Empty recovery tank completely and rinse it several times to remove any dirt or debris that may be left behind.

- Tip the solution tank to the rear over a sink to drain any unused cleaning solution and rinse with clean water to remove any suds left by the cleaning chemicals.
- Check the spray jet on the cleaning tool for full spray pattern and inspect vac head for any obstructions.

### C. PERIODIC MAINTENANCE

- Twice a month, flush a white vinegar solution (One quart vinegar to two gallons water) or anti-browning solution (mixed as directed) through the extractor. This will prevent build-up of alkaline residue in the system.
- If spray jet becomes clogged, remove the spray tip, wash it thoroughly, and blow dry.

**IMPORTANT!** Do not use pins, wire, etc. to clean nozzle as this could destroy the spray pattern.

- Apply silicone lubricant to solution nipple.
- Periodically inspect all hoses, electrical cable and connections on your machine. Frayed or cracked hoses should be repaired or replaced to eliminate vacuum or solution pressure loss. If the cable insulation on the power cord is broken or frayed, repair or replace it immediately. Don't take chances with electrical fire or shock.

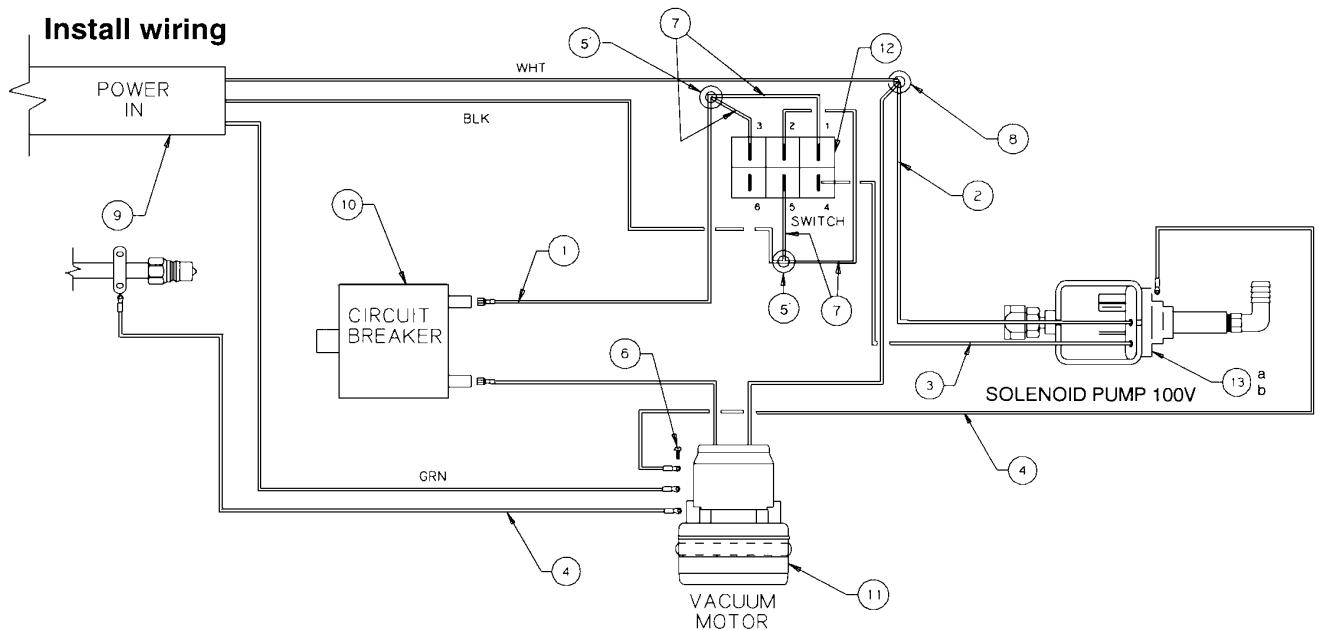
## TROUBLESHOOTING

PROBLEM.	CAUSE	SOLUTION
Little or no solution flow	Clogged spray jet on cleaning tool	Remove and clean jets
	Faulty pump	Check and replace pump. <b>(Call Windsor Tech. Services first)</b>
Loss of vacuum/ Solution recovery	Incorrectly attached solution hose	Ensure solution hose coupler is securely attached to the coupler on the solution tank.
	Incorrectly attached vac hose	Ensure vac hose is pushed completely onto the recovery tank inlet.
	Obstruction in cleaning tool	Inspect for and remove any debris.
	Recovery tank is not securely mounted on the solution tank.	Tighten latches on either end of the machine.

***THIS PAGE LEFT BLANK INTENTIONALLY***

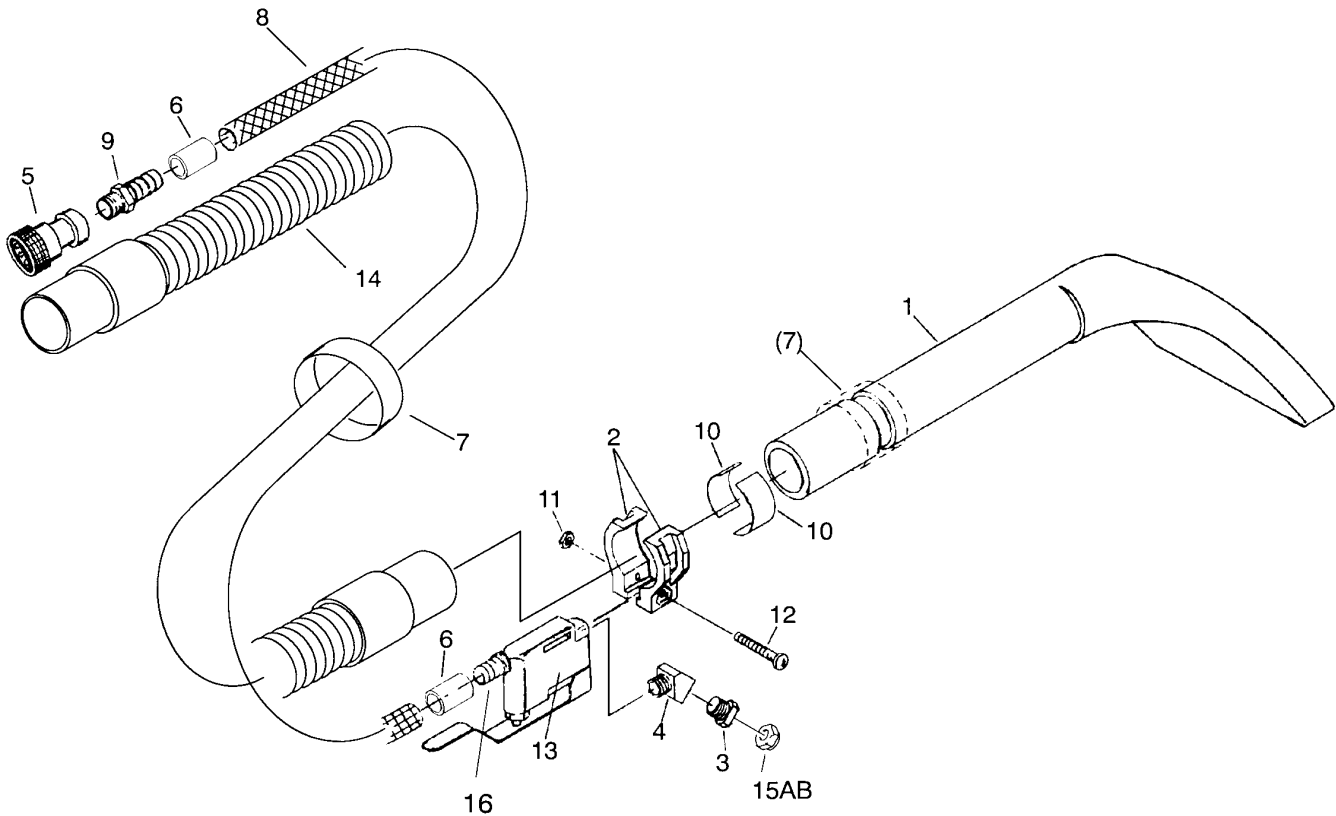
# WIRING DIAGRAM

REF	PART NO.	DESCRIPTION	SERIAL NO. FROM	NOTES:
1	88183	WIRE, 8" BLK/14 76029 X STRIP		
2	88982	WIRE, 12" WHT/18 76040 X STRIP		
3	88980	WIRE, 13" BLK/18 76040 X 76040		
4	88884	WIRE, 14: GRN/18 76008 X 76008		
5	76070	WIRE NUT, CRIMP TYPE		
6	70335	SCREW, 10-32 X 1/2 PHTR		
7	88396	WIRE, 3" BLK/14 76029 X STRIP		
8	76127	WIRE NUT, CRIMP 3/18G		
9	23181	CORD SET, 18/3 X 25' SJTW		
10	14832	BREAKER, 6A VDE CIRCUIT		
11	53230	VAC MOTOR ASM, 115V 4.8 2ST		
12	72150	SWITCH, DPDT ON-OFF-ON 10A		
13a	65159	PUMP, 100V SOLENOID		
13b	65158	PUMP, 120V SOLENOID		



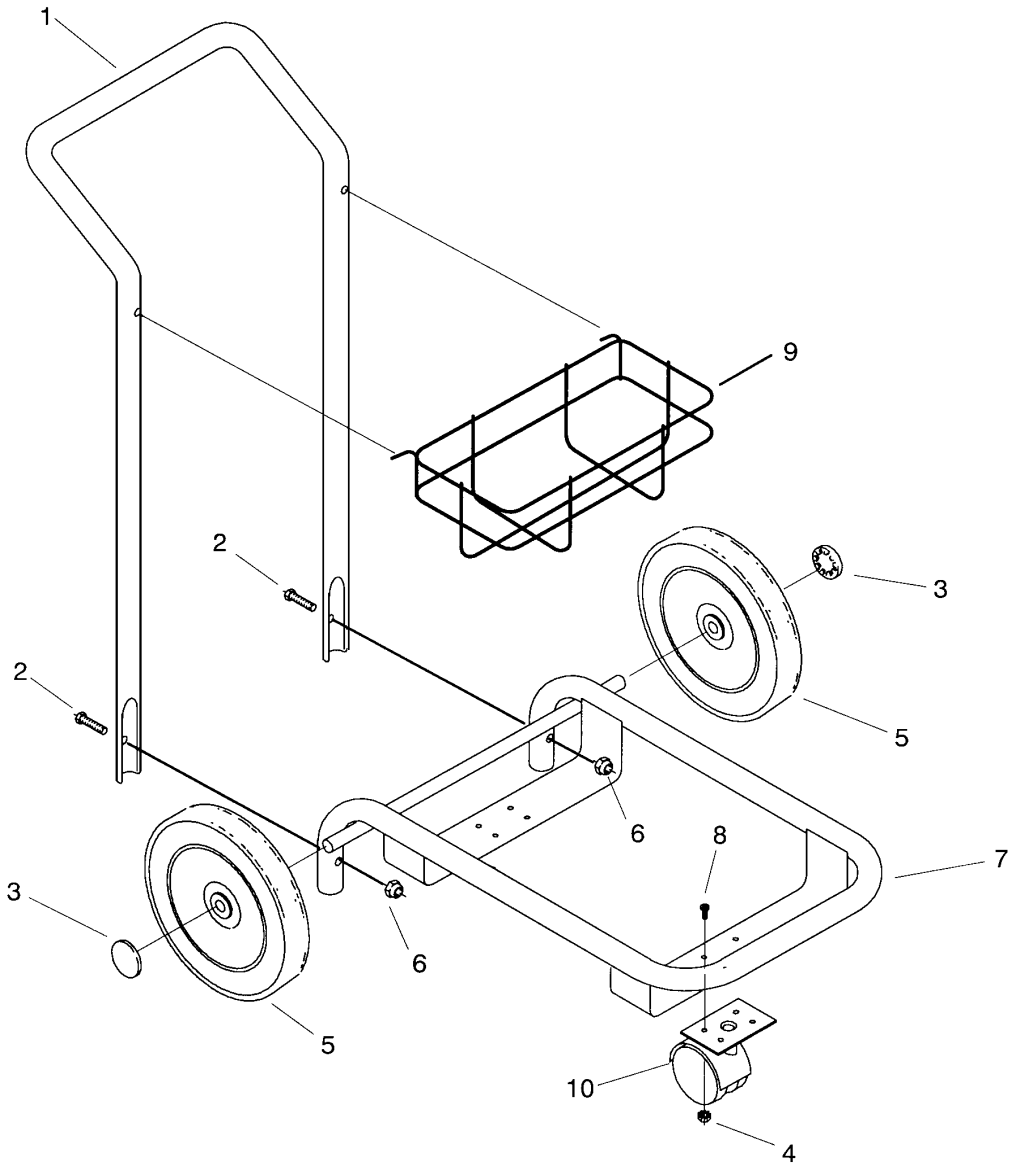
# PRESTO HAND TOOL & PARTS LIST

REF	PART NO.	DESCRIPTION	SERIAL NO. FROM	NOTES:
1	41105	HOUSING, DHT MAIN		
2	20053	VALVE, CLAMP		
3	44052	JETBODY, MINI-QUICK		
4	31028	ELBOW, 1/8M X 1/2F 45°		
5	22015	COUPLER, 1/4" QD		
6	34304	FERRULE, .50 ID X 1.0 BRASS		
7	73774	BAND, ELASTIC		
8	39419	HOSE, NYLOBRAID		
9	40009	HOSEBARB, 1/4M X 1/4HB		
10	99870	FOAM TAPE, 1/32T X 1/2 2SDA FT		
11	57014	NUT, 10-32 HEX		
12	70253	SCR, 10-32 X 1.25 PHMS		
13	84054	SOLUTION VALVE, DHT		
14	39417	HOSE, VAC		
15a	44061	JET, 11003 MINI-QUICK (115V)		
15b	44062	JET, 110015 MINI-QUICK (100V)		
16	40011	HOSEBARB, 1/8 MPT X 1/4		

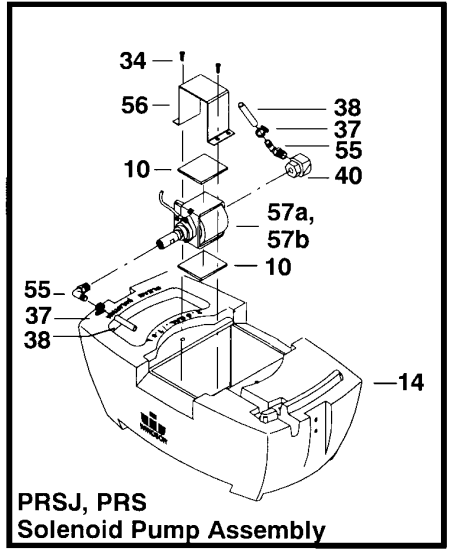
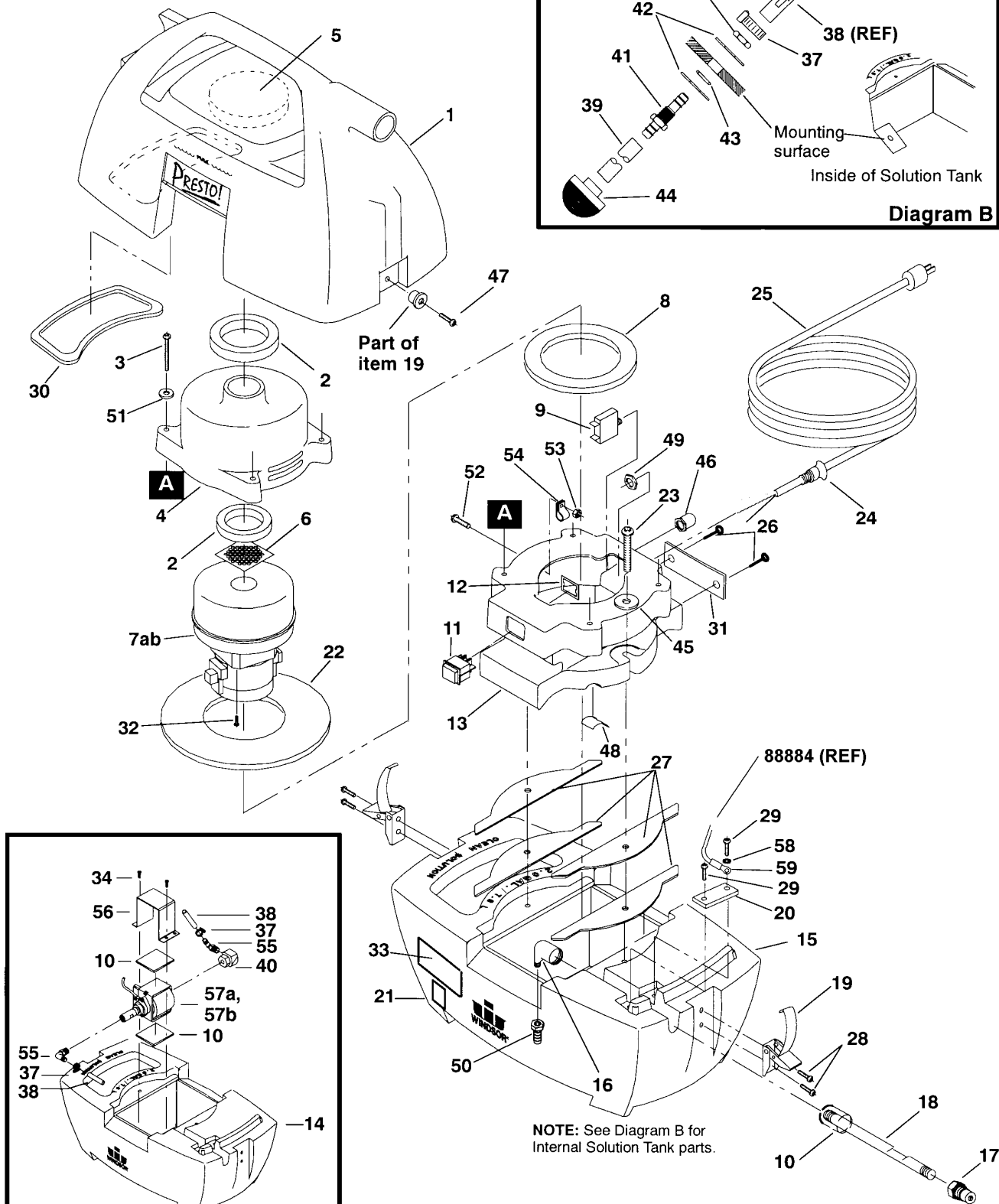
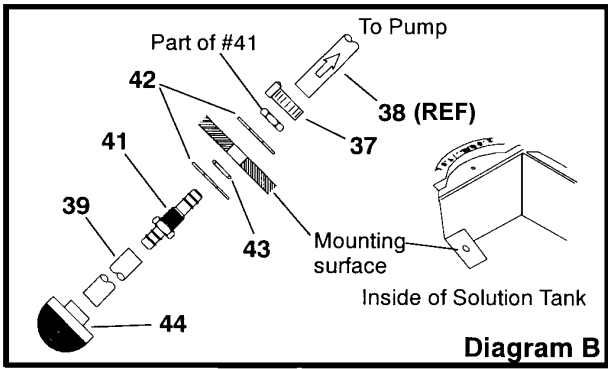


# PRESTO CART & PARTS LIST

REF	PART NO.	DESCRIPTION	SERIAL NO. FROM	NOTES:
1	78310	TUBE, CART HANDLE		
2	70010	SCREW, 1/4-20 X 1.5 TAP PLTD.		
3	57196	NUT, 1/2 STAR LOCK PUSH-ON		
4	57104	NUT, 10-32 HEX W/ STAR WASHER		
5	89048	WHEEL		
6	57047	NUT, 1/4-20 LOCK		
7	27637	BASE, CART PRESTO		
8	70088	SCREW, 10-32 X 1/2 PHMS		
9	140088	BASKET, 3 BOTTLE		
10	18010	CASTER, SWIVEL		



# PRESTO MINI EXTRACTOR-PARTS BREAKDOWN



## PRESTO MINI EXTRACTOR PARTS LIST

REF	PART NO.	DESCRIPTION	SERIAL NO. FROM	NOTES:
1	75211	TANK, RECOVERY		
2	35163	GASKET, 2.5"ID X 4"D X 3/8" T PORON		
3	70161	SCREW, 10-32 X 1 3/8 PHMS		
4	27634	COVER, VACUUM		
5	34293	FOAM, 4.00 OD X 1.0 THICK		
6	73461	SCREEN, INLET		
7A	53230	VAC MOTOR, 115V 4.8 2ST PD		
7B	53775	VAC MOTOR, 230V 4.8 2ST PD		
8	35161	GASKET, 4.0 X 5.5" X .25 T PORON		
9	14832	BREAKER, 6AMP 50VDC CIRCUIT		
10	35187	GASKET, TUBE SEAL		
11	72163	SWITCH, DPDT 10A ASM.		
12	27376	CLIP, SWITCH RETAINING		
13	41278	HOUSING, VAC		
14	75235	TANK, SOLUTION PRSJ		
15	75210	TANK, SOLUTION		
16	31020	FITTING, FEMALE 90° ELBOW		
17	56012	NIPPLE, 1/4 FPT QD		
18	56049	NIPPLE, 1/4 X 6.0 BRASS		
19	48062	LATCH W/ KEEPER		
20	140037	BRACKET, NIPPLE		
21	50776	LABEL, FOR SAFETY		
22	35186	GASKET, VAC HOUSING		
23	70556	SCREW, 1/4-20 X 1.5 PHMS PLTD.		
24	73710	STRAIN RELIEF, TRUMPET		
25	23181	CORD SET, 25' 18/3 SJTW		
26	67005	RIVET, 1/8 OD WHT AL		
27	35172	GASKET, VAC HOUSING		
28	70052	SCREW, 8-32 X 3/8 PPHMS SS		
29	70088	SCREW, 10-32 X 1/2 PPHMS SS DL		
30	35160	GASKET, 6.8 X 3.4 X .125 NEOPRENE		
31	62129	PLATE, DATA LABEL		
32	70335	SCREW, 10-32 X 1/2 GRN/GROUND		
33	50742	LABEL, WARNING EXPLOSION		
34	70528	SCREW, 10-32 X 3/8 PPH EX-SEMS		
35	-	OPEN		
36	-	OPEN		
37	20042	CLAMP, HOSE		
38	39326	HOSE, 3/8" WIREBOUND X 8"		
39	39403	HOSE, 3/8" RUBBER X 5"		
40	04081	ADAPTOR, 1/8FX 90° PUMP INLET		
41	140070	BULKHEAD, UNION		
42	87136	WASHER, .52 ID X .875 OD		
43	59034	O-RING, 0.36" X 0.56"		
44	73250	STRAINER, 80 MESH X 3/8 FPT		
45	87008	WASHER, 1/4 ID X 1.25 OD PLTD.		
46	14942	BOOT, 5/8 CIRCUIT BREAKER		
47	70517	SCREW, 8-32 X 1/2 FHMS SS		
48	35173	GASKET, NIPPLE SEAL		
49	57208	NUT PG11 METAL, 1.024 OD X 0.73 ID		
50	40059	HOSEBARB, 1/8 FPT X 3/8		

## **PRESTO MINI-EXTRACTOR PARTS LIST (CONTINUED)**

REF	PART NO.	DESCRIPTION	SERIAL NO. FROM	NOTES:
51	87139	WASHER, 3/16 FLAT SS		
52	70211	SCREW, 10-32 X 3/4 BLK NYLON		
53	57104	NUT, 10-32 W/ STAR WASHER		
54	20054	CLAMP, 3/8 NYLON		
55	40066	HOSEBARB, 1/8 MPT 3/8 90°		
56	140172	BRACKET, SOLENOID PUMP		
57A	65159	PUMP ASM, 100V SOLENOID		
57B	65158	PUMP ASM, 120V SOLENOID		
58	87016	WASHER, #10 EXT. TOOTH LOCK		
59	88884	WIRE, 14" GRN/18		

## **SUGGESTED SPARE PARTS**

PART NO.	DESCRIPTION	SERIAL NO. FROM	NOTES:
44052	JET BODY, MINI-QUICK		
44061	JET, 11003-QUICK CHANGE		
14832	BREAKER, 6A VDE CIRCUIT		
35160	GASKET, 6.8 X 3.4 X 0.125 NEOPRENE		
73250	STRAINER, 80 MESH X 3/8 FPT		
65158	PUMP ASM, 120V 60HZ SOLENOID		



## **LIMITED WARRANTY**

Windsor Industries, Inc. warrants new machines against defects in material and workmanship under normal use and service to the original purchaser. The warranty period is subject to the conditions stated below.

### **3 YEARS FOR PARTS AND 1 YEAR FOR SERVICE LABOR**

Exceptions: Rotationally molded polyethylene tanks carry a **6 year** parts and 1 year service labor warranty. VERSAMATIC® models carry a 3 year warranty on brush motors, vacuum motors, and belts, and a 1 year service labor warranty. SENSOR® models carry a 2 year warranty on vacuum motors and belts, and a 1 year service labor warranty. Extractor brush motors, pump motors, pc boards and electronics, vac motors (other than VERSAMATIC® and SENSOR®), pumps, and FLEXSOL™ diaphragms, all RADIUS™, all ACCESS™ and TITAN™1 carry a 1 year parts and service labor warranty. Propane equipment has a 1 year parts and service warranty. The Onan® engines have a 3 year manufacturers' warranty. The Honda® engines have a 2 year manufacturers' warranty. The engine warranty is administered through the engine manufacturer and must be repaired at an authorized service center.

Normal wear items including, but not limited to, belts, brushes, capacitors, carbon brushes, casters, clutches, cords, filters, finishes, gaskets, hoses, light bulbs, rectifiers, switches, squeegees, bearings, pulleys, relays, actuating cables, tires and wheels will be warranted for manufacturing defects for 90 days from the purchase date.

The warranty commences on the purchase date by the original end user from an authorized Windsor Agent, subject to proof of purchase. The Machine Registration Card must be completed and returned immediately at the time of purchase. If proof of purchase cannot be identified, the warranty start date is 90 days after date of sale to an authorized Windsor distributor. Parts replaced or repaired under warranty are guaranteed for the remainder of the original warranty period.

### **90 DAY WARRANTY EXTENSION AVAILABLE**

Upon receipt of the Machine Registration Card, Windsor will extend the warranty period an additional 90 days from the purchase date. Does not include items warranted 90 days for manufacturing defects.

### **STATED WARRANTIES ARE IN LIEU OF ALL OTHER WARRANTIES, EXPRESSED OR IMPLIED.**

Any statutory implied warranties, including any warranty of merchantability or fitness for a particular purpose, are expressly limited to the duration of this written warranty. Windsor will not be liable for any other damages, including but not limited to indirect or special consequential damages arising out of or in connection with the furnishing; performance, use or inability to use the machine. This remedy shall be the exclusive remedy of the buyer.

This warranty shall not apply to: 1.damage in transit; 2.misuse or abuse(including the use of incompatible or corrosive chemicals or overloading of capacity); 3. failure due to lack of proper maintenance and care (including cleaning); 4.any design alterations performed by an organization not authorized or specified by Windsor; 5.batteries and chargers. 6. high pressure washing. 7.electrical components exposed to moisture.

If difficulty develops during the warranty period, contact the authorized Windsor Agent from whom the product was purchased. Windsor, Inc. may elect to require the return of components to validate a claim. Any defective part to be returned must be shipped freight pre-paid to an authorized Windsor Distributor/Service Center or to the Windsor factory.

### **USE OF PARTS NOT APPROVED BY WINDSOR, INC. WILL VOID ALL WARRANTIES.**

This warranty is valid only for all products sold after July 1, 1995. A product sold before that date shall be covered by the limited Warranty in effect at the date of sale to the original purchaser.



**WINDSOR INDUSTRIES, INC., 1351 W. Stanford Ave., Englewood, CO 80110 USA**  
Phone: 303-762-1800 Fax: 303-762-0817 Internet: [www.windsorind.com](http://www.windsorind.com)