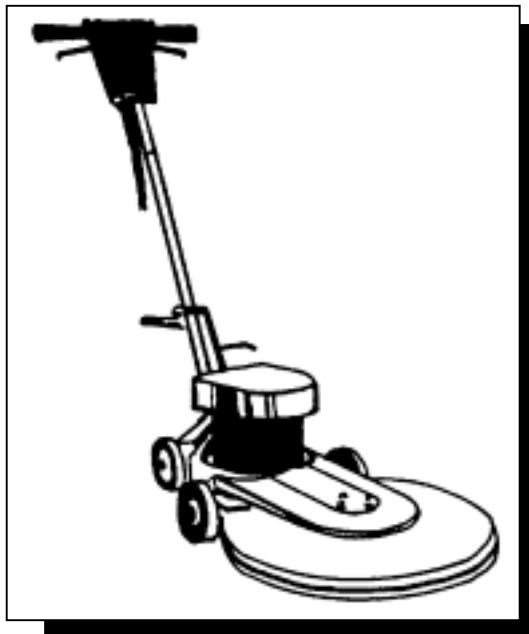


MERIT™1500

HIGH SPEED BURNISHERS



Operating Instructions (ENG)

MERIT 1500

QUEST® ... for Continuous Improvement.
Windsor's Quality Management System is Certified ISO 9001.

Read these instructions before operating the machine.

 **CLICK TO ORDER PARTS**

MACHINE DATA LOG/OVERVIEW

MODEL _____

DATE OF PURCHASE _____

SERIAL NUMBER _____

SALES REPRESENTATIVE # _____

DEALER NAME _____

OPERATIONS GUIDE NUMBER _____

PUBLISHED _____

Copyright 1995 Windsor Industries, Printed in USA

YOUR DEALER

Name: _____

Address: _____

Phone Number: _____

TABLE OF CONTENTS

Machine Data Log/Overview.2
Table of Contents.....3

HOW TO USE THIS MANUAL

How to use this Manual.4

SAFETY

Important Safety Instructions.....5
Hazard Intensity Level.....6
Grounding instructions.7

OPERATIONS

Machine Operation.....8

MAINTENANCE

Daily Maintenance.....8
Pad Installation.....8
Troubleshooting.9
Wiring Diagram.9

GROUP PARTS LIST

Main Assembly..... 10
Main Assembly Parts List. 11
Handle Assembly. 12
Handle Assembly Parts List..... 13
Notes..... 13
Warranty. 14

HOW TO USE THIS MANUAL

This manual contains the following sections:

- HOW TO USE THIS MANUAL
- SAFETY
- OPERATIONS
- MAINTENANCE
- PARTS LIST

The HOW TO USE THIS MANUAL section will tell you how to find important information for ordering correct repair parts.

Parts may be ordered from authorized Windsor dealers. When placing an order for parts, the machine model and machine serial number are important. Refer to the MACHINE DATA box which is filled out during the installation of your machine. The MACHINE DATA box is located on the inside of the front cover of this manual.

MODEL _____
DATE OF PURCHASE _____
SERIAL NUMBER _____
SALES REPRESENTATIVE # _____
DEALER NAME _____
OPERATIONS GUIDE NUMBER _____
PUBLISHED _____
<small>Copyright 1995 Windsor Industries, Printed in USA</small>

The model and serial number of your machine is on the bottom back-end of the machine.

The SAFETY section contains important information regarding hazard or unsafe practices of the machine. Levels of hazards is identified that could result in product or personal injury, or severe injury resulting in death.

The OPERATIONS section is to familiarize the operator with the operation and function of the machine.

The MAINTENANCE section contains preventive maintenance to keep the machine and its components in good working condition. They are listed in this general order:

- Daily Maintenance
- Pad Installation

The PARTS LIST section contains assembled parts illustrations and corresponding parts list. The parts lists include a number of columns of information:

- **REF** – column refers to the reference number on the parts illustration.
- **PART NO.** – column lists the part number for the part.
- **DESCRIPTION** – column is a brief description of the part.
- **SERIAL NO. FROM** – column indicates the first machine the part number is applicable to. When the machine design has changed, this column will indicate serial number of applicable machine. The main illustration shows the most current design of the machine. The boxed illustrations show older designs.
- **NOTES** – column for information not noted by the other columns.

NOTE: If a service or option kit is installed on your machine, be sure to keep the KIT INSTRUCTIONS which came with the kit. It contains replacement parts numbers needed for ordering future parts.

IMPORTANT SAFETY INSTRUCTIONS

When using an electrical appliance, basic precaution must always be followed, including the following:

READ ALL INSTRUCTIONS BEFORE USING THIS MACHINE.



To reduce the risk of fire, electric shock, or injury:

Use only indoors. Do not use outdoors or expose to rain.

Use only as described in this manual. Use only manufacturer's recommended components and attachments.

If the machine is **not working properly**, has been dropped, damaged, left outdoors, or dropped into water, return it to an authorized service center.

Do not operate the machine with any openings blocked. Keep openings free of debris that may reduce airflow.

This machine is **not** suitable for picking up hazardous dust.

Machine can cause a fire when operating near flammable vapors or materials. Do not operate this machine near flammable fluids, dust or vapors.

This machine is suitable for commercial use, for example in hotels, schools, hospitals, factories, shops and offices for more than normal housekeeping purposes.

Maintenance and repairs **must be done** by qualified personnel.

If foam or liquid comes out of machine, **switch off immediately**.

During operation, attention shall be paid to other persons, especially children.

When leaving unattended, secure against unintentional movement.

The machine shall only be operated by instructed and authorized persons.

When leaving unattended, switch off or lock the main power switch to prevent unauthorized use.

Only chemicals recommended by the manufacturer shall be used.

Do not handle the plug or machine with wet hands.

Do not unplug machine by pulling on cord. To unplug, grasp the plug, not the cord.

Do not use with damaged cord or plug. Follow all instructions in this manual concerning grounding the machine.

Do not pull or carry by cord, use cord as a handle, close a door on cord, or pull cord around sharp edges or corners.

Do not pull/run machine over cord. **Keep** cord away from heated surfaces.

Use accessory tools when cleaning on stairs.

Connect to a **properly** grounded outlet. See Grounding Instructions.

SAVE THESE INSTRUCTIONS

M1500 98334 06/29/99

HAZARD INTENSITY LEVEL

The following symbols are used throughout this guide as indicated in their descriptions:

HAZARD INTENSITY LEVEL

There are three levels of hazard intensity identified by signal words **-WARNING** and **CAUTION** and **FOR SAFETY**. The level of hazard intensity is determined by the following definitions:

WARNING

WARNING - Hazards or unsafe practices which COULD result in severe personal injury or death.

CAUTION

CAUTION - Hazards or unsafe practices which could result in minor personal injury or product or property damage.

FOR SAFETY: To identify actions which must be followed for safe operation of equipment.

Report machine damage or faulty operation immediately. Do not use the machine if it is not in proper operating condition. Following is information that signals some potentially dangerous conditions to the operator or the equipment. Read this information carefully. Know when these conditions can exist. Locate all safety devices on the machine. Please take the necessary steps to train the machine operating personnel.

FOR SAFETY:

DO NOT OPERATE MACHINE:

Unless Trained and Authorized.

Unless Operation Guide is Read and understood.

In Flammable or Explosive areas.

In areas with possible falling objects.

WHEN SERVICING MACHINE:

Avoid moving parts. Do not wear loose clothing; jackets, shirts, or sleeves when working on the machine. Use Windsor approved replacement parts.

GROUNDING INSTRUCTIONS

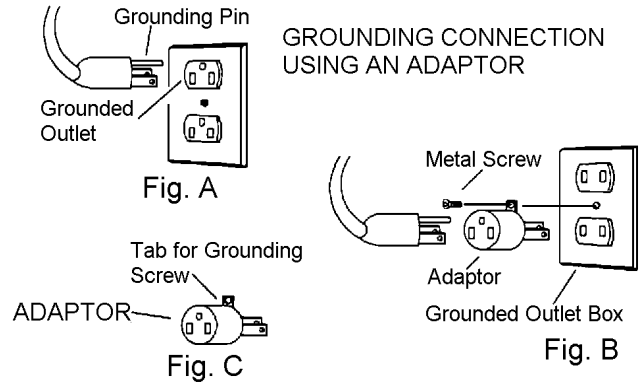
ELECTRICAL:

This high-speed burnisher is designed to operate on a standard 15 amp, 115 volt, 60 hz, AC household current. Check that the voltage shown on the serial number plate is suitable for the supply available. Voltages below 105 volts or above 125 volts could cause damage to the motor.

GROUNDING INSTRUCTIONS:

This appliance must be grounded. If it should malfunction or break down, grounding provides a path of least resistance for electric current to reduce the risk of electric shock. This appliance is equipped with a cord having an equipment-grounding conductor and grounding plug. The plug must be inserted into an appropriate outlet that is properly installed and grounded in accordance with all local codes and ordinances.

This appliance is for use on a nominal 120-volt circuit, and has a grounded plug that looks like the plug in "Fig. A". A temporary adaptor that looks like the adaptor in "Fig. C" may be used to connect this plug to a 2-pole receptacle as shown in "Fig. B", if a properly grounded outlet is not available. The temporary adaptor should be used only until a properly grounded outlet (Fig. A) can be installed by a qualified electrician. The green colored rigid ear, lug, or the like extending from the adaptor must be connected to a permanent ground such as a properly grounded outlet box cover. Whenever the adaptor is used, it must be held in place by a metal screw.



Note: Adaptors are not allowed in Canada.

⚠ WARNING

Improper connection of the equipment-grounding conductor can result in a risk of electric shock. Check with a qualified electrician or service person if you are in doubt as to whether the outlet is properly grounded. Do not modify the plug provided with the appliance - if it will not fit the outlet, have a proper outlet installed by a qualified electrician.

OPERATION & MAINTENANCE

OPERATION

CAUTION: For indoor use only.

When using the machine, always keep the machine moving when in contact with the floor.

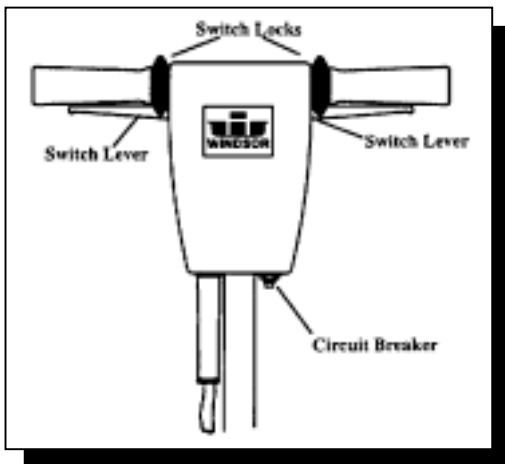
WARNING:

**HIGH STARTING TORQUE
HOLD MACHINE FIRMLY WITH BOTH HANDS.**

1. Ensure that the pad driver is installed correctly and in good shape. Install or change pad if necessary. (See pad installation this page).
2. Plug the machine into a wall outlet as described in the grounding instructions.
3. Lower the handle by unlocking the adjustment handle and moving the handle into position. Relock the handle when it is in a comfortable position.
4. Check to be sure that the pad is installed correctly.
5. With the switch lock(s) rotated forward, squeeze one of the switch levers, turning the machine on. (These levers can be operated independently of each other.)
6. To stop the machine, release the switch lever and switch lock.

NOTE: The machine is equipped with a circuit breaker to protect the motor in the event an overload condition occurs. The circuit breaker is located at the bottom of the switch housing. Push the reset button to restart the machine. If the breaker trips again, correct the cause of overloading before proceeding.

7. Do not let machine rest on pad. When finished with the machine for the day, return handle to the storage position. Be sure to leave the machine in a safe place where there is no risk of being tipped over.



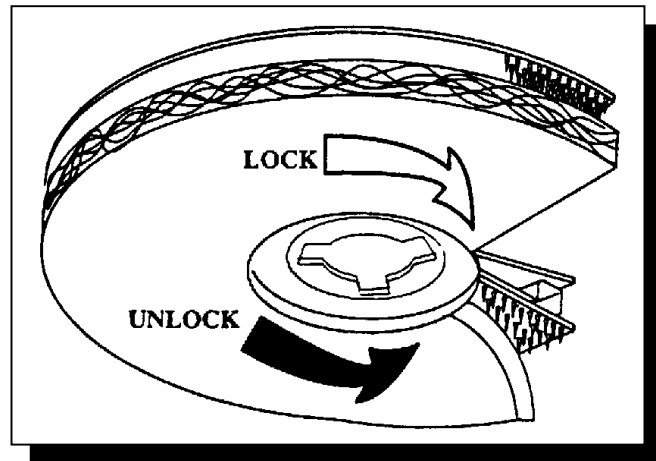
DAILY MAINTENANCE

(At the end of each working day.)

1. Inspect power cord for wear. To prevent electrical shock replace cords with frayed or cracked insulation immediately.
2. Place machine in the storage position.
3. Check pad condition. Change if soiled or torn.

PAD INSTALLATION

1. Unplug the power cord.
2. Lay machine back on the ground, exposing the underside.
3. Center the pad on the rigid pad driver. Rotate pad center lock clockwise until engaged. To remove, turn counter-clockwise.

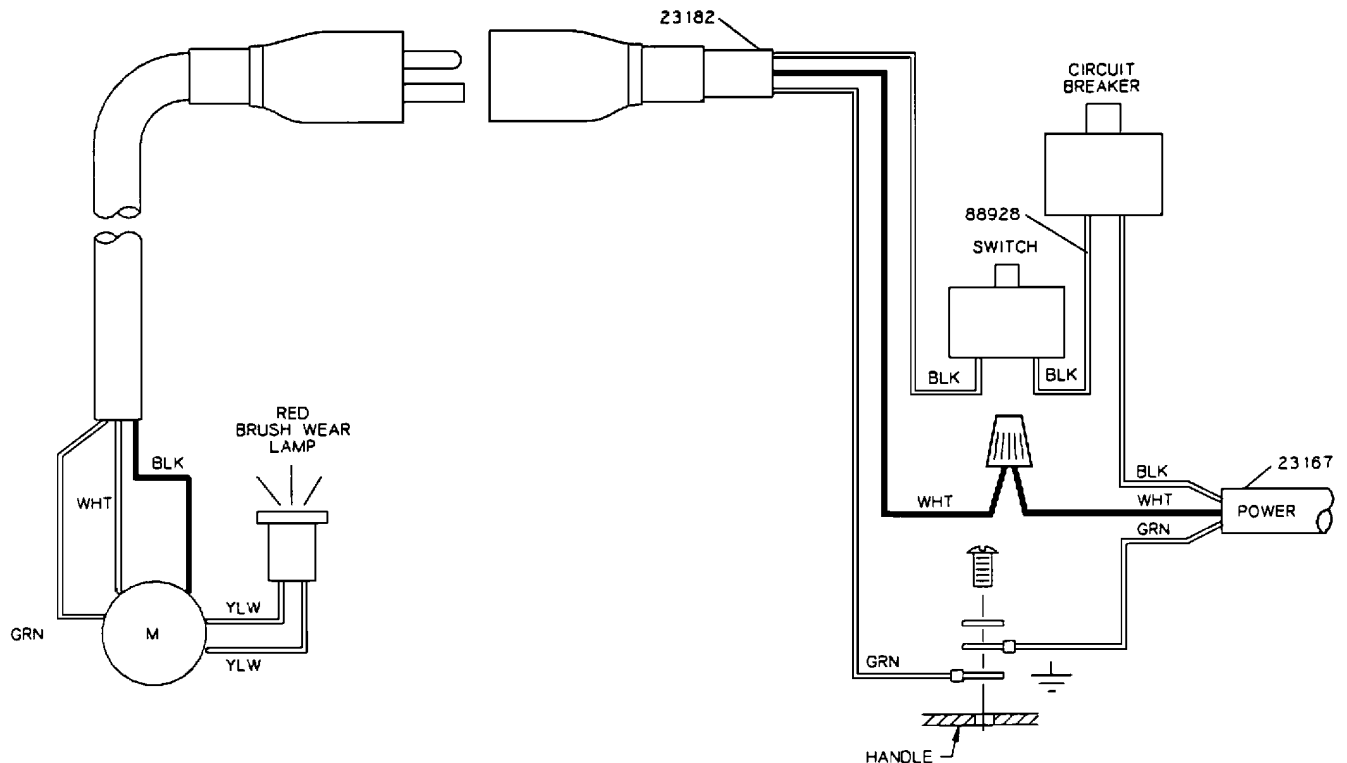


TROUBLESHOOTING & WIRING DIAGRAM

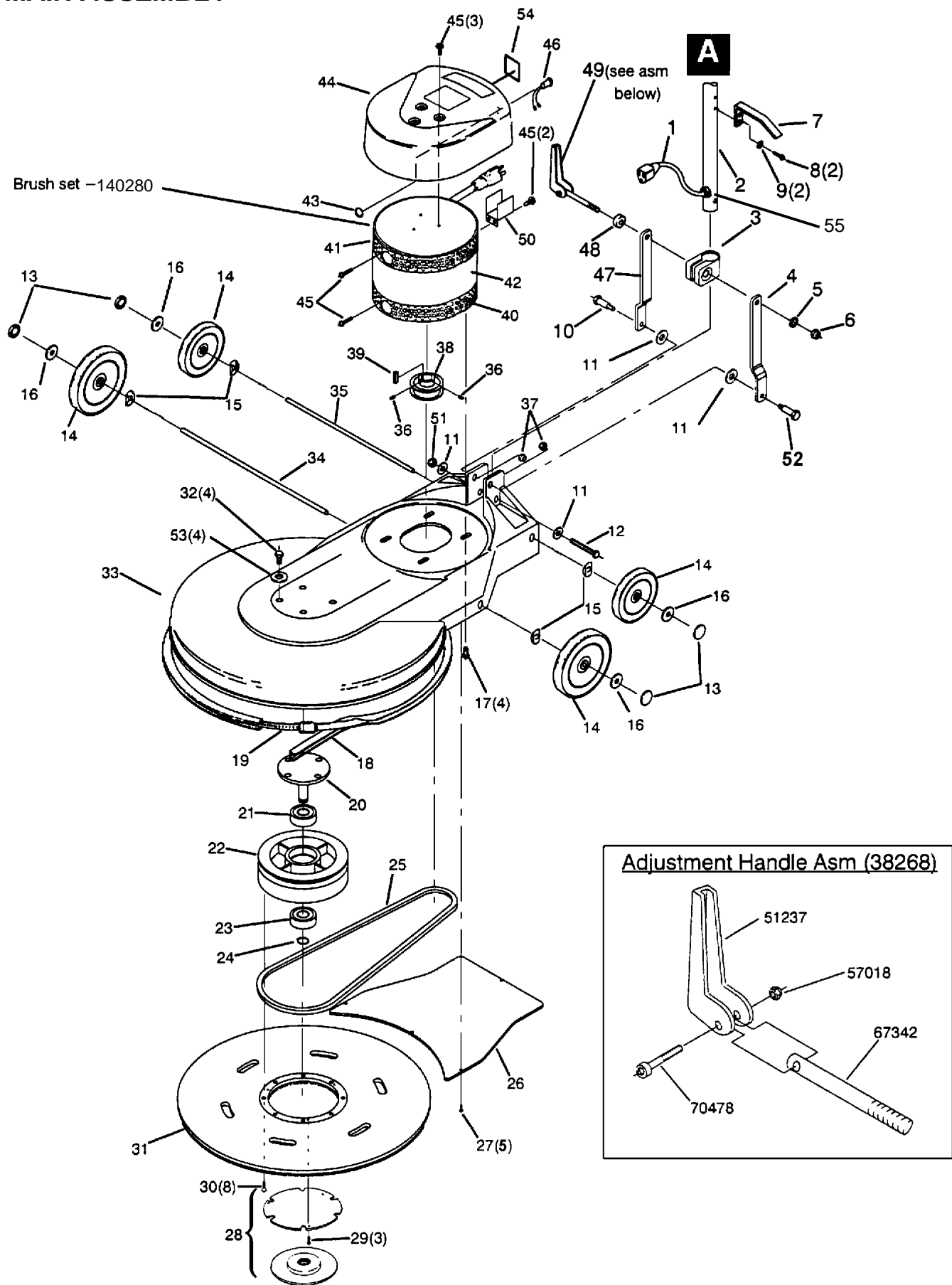
TROUBLESHOOTING

PROBLEM.	CAUSE	SOLUTION
No power to machine	Dead electrical circuit breaker or fuse box.	Check building circuit.
	Power switch failure.	Test switch for continuity and replace if necessary.
	Faulty circuit breaker.	Replace.
Electrical shock	Faulty power cord.	Replace.
	Equipment not grounding	Follow grounding instructions exactly.
	Receptacle not grounded.	Have an electrician inspect buildings wiring.
Circuit breaker tripping	Internal wiring problem.	Ensure that the machines wiring matches the appropriate wiring diagram. Replace any wires or components which are short circuiting.
	Faulty circuit breaker.	Test circuit breaker for continuity. Replace circuit breaker if necessary.
Loose handle	Mechanical problem.	Higher amp draws indicate a mechanical problem, find the parts which are not moving as freely as they should, and repair or replace.
	Pad problem.	Pad loaded up with dirt and/or finish. Change pad.
	Nut not properly tightened.	Tighten nut (p/n 57201, ref 6 on main asm) by turning 1/2 turn while holding handle with a wrench.

WIRING DIAGRAM



MAIN ASSEMBLY

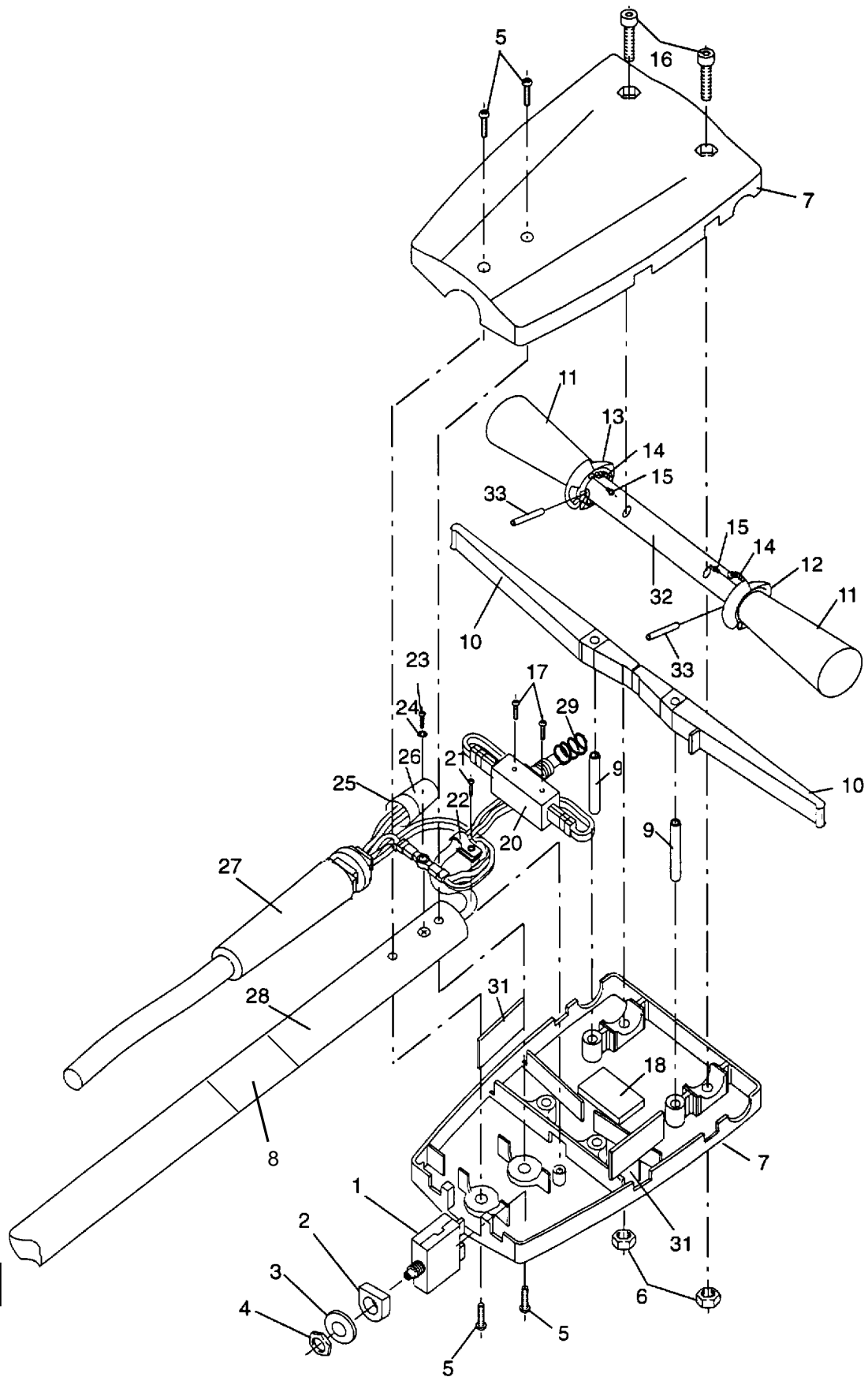


MAIN ASSEMBLY

REF	PART NO.	DESCRIPTION	SERIAL NO. FROM	NOTES:
1	23182	Cord Set, 14/3 SJTW x 41.5' Blk		
2	78333	Tube, Burnisher Handle		
3	27682	Clamp, MERIT Handle Lock		
4	71137	Support, M1500 Left		
5	87021	Washer, 1/2 Int. Star		
6	57201	Nut, 1/2-20 Nylock Pltd.		
7	41270	Hook, MERIT Cord		
8	70384	Screw, 1/4-20 x 1/2 PHTR Blk Pltd.		
9	87025	Washer, 1/4 Ext. Star Lock SS		
10	70294	Shoulder Bolt, 3/8OD x 5/8L		
11	87003	Washer, 3/8ID x 7/8OD SS		
12	70461	Screw, 3/8-16 x 3.5 HHCS Gr5		
13	57196	Nut, 1/2 Push-On Dome Cap		
14	89086	Wheel, 5" Dia. x 1" x .5ID Gray		
15	87140	Washer, 1/2ID x 3/4OD x .125 Wave		
16	87146	Washer, 1/2"ID x 1"OD x .06T Nylon		
17	70104	Screw, 3/8-16 x 3/4 BHMS		
18	14740	Bumper, Frame		
19	20070	Clamp, 21" x 1/2W		
20	03049	Axle, Pad Driver		
21	09033	Bearing, 1"ID x 2"OD		
22	64048	Pulley, Pad		
23	09030	Bearing, .75"ID x 2"OD		
24	67162	Ring, 3/4 Ext. Snap		
25	140072	Belt, M1500 Drive		
26	62532	Plate, M1500 Dust Cover		
27	70363	Screw, 10-32 x 3/8 PHTR Pltd.		
28	41161	Holder, Centerlock (2 Pieces)		
29	70233	Screw, #10 x 3/8 PH Hi-Lo Pltd.		
30	70328	Screw, 1/4-20 x 1" FHTR		
31	66122	Pad Driver		
32	70521	Screw, 5/16-18 x 1.25 HWTF Blk.		
33	34274	Frame, M1500 Transport		
34	03086	Axle, M1500 Transport		
35	03097	Axle, 1/2" Dia. x 13"L		
36	70352	Screw, 5/16-18 x 5/16 Set KCP		
37	57113	Nut, 5/16-18 Hex Nylock Pltd.		
38	64053	Pulley, Motor		
39	48010	Key, 3/16 x 1 1/8		
40	73697	Screen, MERIT Motor Lower		
41	73696	Screen, MERIT Motor Upper		
42	53602	Motor, M1500 115V		
43	22046	Clip, Neon Lamp		
44	27663	Cover, M1500 Motor		
45	70351	Screw, 10-32 x 3/8 HHTR w/ Star		
46	51116	Light Asm, 115V Brush Wear		
47	71138	Support, M1500 Right		
48	87148	Washer, .515ID x 1"OD T Case H		
49	38268	Handle Adjustment Asm,		See insert pg.10 for asm.
50	27664	Cover, M1500 Brush Wear Light		
51	57119	Nut, 3/8-16 Hex Nylock Pltd.		
52	70216	Shoulder Bolt, 3/8OD x 3/4L		
53	87003	Washer, 3/8ID x 7/8OD SS		
54	50776	Label, For Safety		
55	73195	Strain Relief		

HANDLE ASSEMBLY

A



HANDLE ASSEMBLY PARTS LIST

REF	PART NO.	DESCRIPTION	SERIAL NO. FROM	NOTES:
1	14944	Breaker, 16A 250VAC 50VDC		
2	27558	Collar, Circuit Breaker		
3	50649	Label, Circuit Breaker		
4	57024	Nut, 3/8-27 Panel		
5	70384	Screw, 1/4-20 x 1/2 PHTR Pltd.		
6	57006	Nut, 1/4-20 Hex Pltd.		
7	41234	Housing, POL Handle (logo)		
8	50399	Label, L1500 Warning		
9	66187	Pin, POL Handle		
10	51187	Lever, Switch Polisher Handle		
11	36139	Grip, Handle		
12	51192	Lock, Switch Lt. POL Handle		
13	51191	Lock, Switch Rt. POL Handle		
14	73571	Spring, Handle Lock		
15	70493	Screw, 4-40 x 1/4 PPHTC-F Pltd.		
16	70451	Screw, 1/4-20 x 1.62 SHCS Pltd.		
17	70455	Screw, #6-32 x 1.00 PPHTF Pltd.		
18	73400	Spacer, UL Switch		
19	OPEN			
20	72123	Switch, 25A SPST 125-250V Snap		
21	70452	Screw, 10-24 x 3/8 HHTR		
22	20054	Clamp, 3/8 Nylon UL/CSA		
23	70335	Screw, 10-32 x 1/2 PHTR Grn/ Grnd		
24	87016	Washer, #10 Lock Ext Star SS		
25	57003	Nut, Yellow Wire		
26	99627	Electric Tape, 3/4 w/ UL/CSA		
27	23167	Cord Set, 14/3 Std x 50' Yellow		
28	78333	Tube, Burnisher Handle		
29	73572	Spring, Switch Handle		
30	OPEN			
31	62344	Plate, Lever Plug		
32	78270	Tube, Handle Polisher		
33	66199	Pin, Polisher Handle		

NOTES:



LIMITED WARRANTY

Windsor Industries, Inc. warrants new machines against defects in material and workmanship under normal use and service to the original purchaser. The warranty period is subject to the conditions stated below.

3 YEARS FOR PARTS AND 1 YEAR FOR SERVICE LABOR

Exceptions: Rotationally molded polyethylene tanks carry a **6 year** parts and 1 year service labor warranty. VERSAMATIC® models carry a 3 year warranty on brush motors, vacuum motors, and belts, and a 1 year service labor warranty. SENSOR® models carry a 2 year warranty on vacuum motors and belts, and a 1 year service labor warranty. Extractor brush motors, pump motors, pc boards and electronics, vac motors (other than VERSAMATIC® and SENSOR®), pumps, and FLEXSOL™ diaphragms, all RADIUS™, all ACCESS™ and TITAN™1 carry a 1 year parts and service labor warranty. Propane equipment has a 1 year parts and service warranty. The Onan® engines have a 3 year manufacturers' warranty. The Honda® engines have a 2 year manufacturers' warranty. The engine warranty is administered through the engine manufacturer and must be repaired at an authorized service center.

Normal wear items including, but not limited to, belts, brushes, capacitors, carbon brushes, casters, clutches, cords, filters, finishes, gaskets, hoses, light bulbs, rectifiers, switches, squeegees, bearings, pulleys, relays, actuating cables, tires and wheels will be warranted for manufacturing defects for 90 days from the purchase date.

The warranty commences on the purchase date by the original end user from an authorized Windsor Agent, subject to proof of purchase. The Machine Registration Card must be completed and returned immediately at the time of purchase. If proof of purchase cannot be identified, the warranty start date is 90 days after date of sale to an authorized Windsor distributor. Parts replaced or repaired under warranty are guaranteed for the remainder of the original warranty period.

90 DAY WARRANTY EXTENSION AVAILABLE

Upon receipt of the Machine Registration Card, Windsor will extend the warranty period an additional 90 days from the purchase date. Does not include items warranted 90 days for manufacturing defects.

STATED WARRANTIES ARE IN LIEU OF ALL OTHER WARRANTIES, EXPRESSED OR IMPLIED.

Any statutory implied warranties, including any warranty of merchantability or fitness for a particular purpose, are expressly limited to the duration of this written warranty. Windsor will not be liable for any other damages, including but not limited to indirect or special consequential damages arising out of or in connection with the furnishing; performance, use or inability to use the machine. This remedy shall be the exclusive remedy of the buyer.

This warranty shall not apply to: 1.damage in transit; 2.misuse or abuse(including the use of incompatible or corrosive chemicals or overloading of capacity); 3. failure due to lack of proper maintenance and care (including cleaning); 4.any design alterations performed by an organization not authorized or specified by Windsor; 5.batteries and chargers. 6. high pressure washing. 7.electrical components exposed to moisture.

If difficulty develops during the warranty period, contact the authorized Windsor Agent from whom the product was purchased. Windsor, Inc. may elect to require the return of components to validate a claim. Any defective part to be returned must be shipped freight pre-paid to an authorized Windsor Distributor/Service Center or to the Windsor factory.

USE OF PARTS NOT APPROVED BY WINDSOR, INC. WILL VOID ALL WARRANTIES.

This warranty is valid only for all products sold after July 1, 1995. A product sold before that date shall be covered by the limited Warranty in effect at the date of sale to the original purchaser.



WINDSOR INDUSTRIES, INC., 1351 W. Stanford Ave., Englewood, CO 80110 USA
Phone: 303-762-1800 Fax: 303-762-0817 Internet: www.windsorind.com