

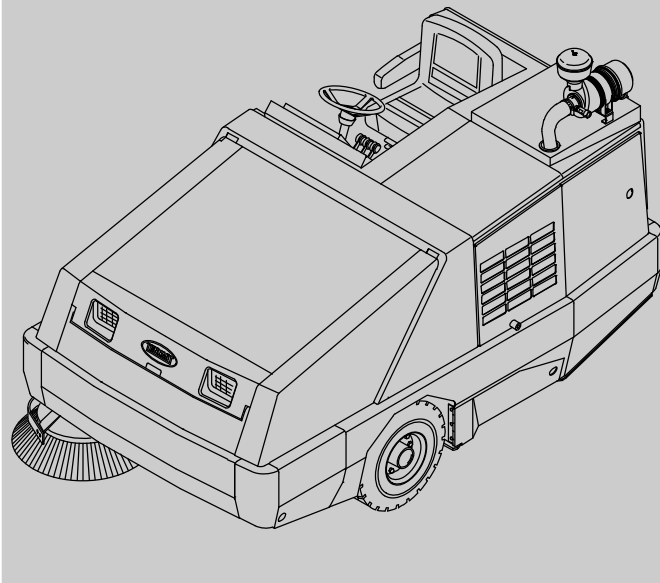
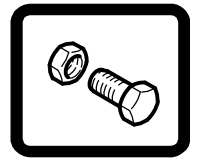


800

(Gas/LPG)

(SN/ 004000-)

Sweeper Parts Manual



North America / International



For latest Parts manual or other
language Operator manual, visit:

www.tennantco.com/manuals

330120
Rev. 22 (7-2015)



When ordering replacement parts, use the illustrated parts list section in this manual. Before ordering parts or supplies, be sure to have your machine model number and serial number available. Only use TENNANT Company supplied or equivalent parts. Parts and supplies may be ordered online, by phone, or mail from any authorized parts and service center, distributor or from any of the manufacturer's subsidiaries.

This machine will provide excellent service. However, the best results will be obtained at minimum costs if:

- The machine is operated with reasonable care.
- The machine is maintained regularly - per the machine maintenance instructions provided.
- The machine is maintained with manufacturer supplied or equivalent parts.

MACHINE DATA

Please fill out at time of installation for future reference.

Model No. – _____

Serial No. – _____

Machine Options – _____

Sales Rep. – _____

Sales Rep. phone no. – _____

Customer Number – _____

Installation Date – _____

Tennant Company

PO Box 1452

Minneapolis, MN 55440

Phone: (800) 553-8033 or (763) 513-2850

www.tennantco.com

II Speed and Thermo-Sentry are trademarks of Tennant Company.

Specifications and parts are subject to change without notice.

Original instructions, Copyright © 1998-2000, 2002-2005, 2007-2011, 2013, 2014, 2015 TENNANT Company, Printed in U.S.A.

HOW TO USE THIS MANUAL

This section on *HOW TO USE THIS MANUAL* will tell you how to:

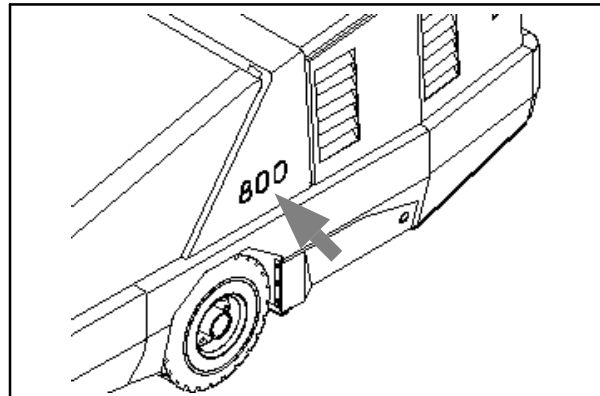
- Find important machine information for ordering correct repair parts.
- Find TENNANT part numbers.
- Order TENNANT parts and supplies.

IMPORTANT INFORMATION

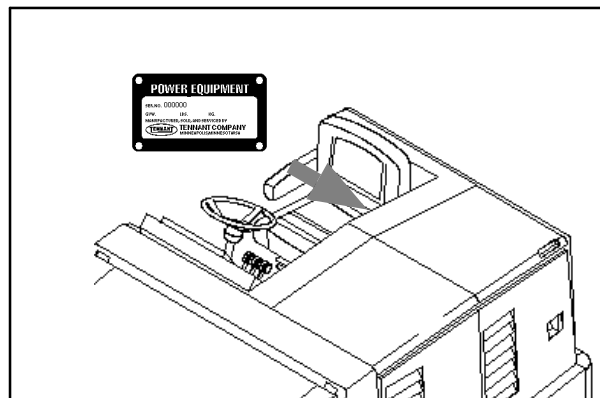
When placing an order for parts, the machine model and machine serial number are important. Refer to the *MACHINE DATA* box which is filled out during the installation of your machine. The *MACHINE DATA* box is located on the inside of the front cover of this manual.

MACHINE DATA	
<i>Please fill out at time of installation for future reference.</i>	
Machine Model Number -	800
Machine Serial Number -	_____
Machine Options -	_____
TENNANT Representative/phone no. -	_____
Customer ID Number -	_____
Date of Installation -	_____
Manual Number -	330120
Revision:	00
Published:	9-97

The model number of your machine is on the side of the machine.



The serial number of your machine is printed on the machine data plate located as shown.



HOW TO USE THIS MANUAL

FINDING A TENNANT PART NUMBER

This manual contains the following sections:

- HOW TO USE THIS MANUAL
- STANDARD PARTS
- OPTIONS
- BREAKDOWNS
- PERKINS ENGINE BREAKDOWN
- CAT ENGINE BREAKDOWN
- CROSS REFERENCE

The STANDARD PARTS section lists repair parts for standard machines. They are grouped in this general order:

- General wear parts.
- Machine frame and related parts.
- Machine propelling system.
- Sweeping components.
- Electrical parts.

The OPTION section lists repair parts of options.

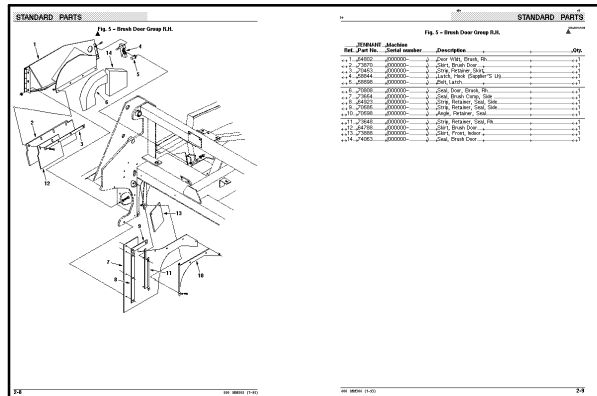
The BREAKDOWN section lists available repair parts of major components.

All sections in this manual consist of parts illustrations and corresponding parts lists.

The parts illustrations are numbered with **Ref** numbers which refer to corresponding parts lists.

The parts lists include a number of columns of information:

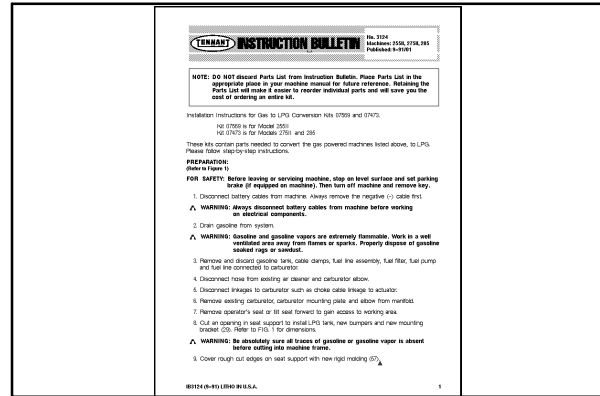
- **Ref** – column refers to the reference number on the parts illustration.
- ▽ – indicates the part is an assembly.
- ▲ – indicates the part is included in the assembly listed just before it.
- **TENNANT Part No.** – column lists the TENNANT part number for the part.
- **Serial Number** – column indicates the set of machines the part number is applicable to. Serial numbers change when the machine design has been modified. The most current design of the machine is shown in the main illustration, older designs are boxed in a corner of the illustration.
- **Description** – column is a brief description of the part.
- **Qty.** – column lists the quantity of that part used in that area of the machine.



Ref.	TENNANT Part No.	Machine Serial number	Description	Qty.
1	59970	000000	Replm Kit, Instr Panel	1
2	59976	000000	Replm Kit, Case	1
3	59977	000000	Replm Kit, Seal	1
4	59974	000000	Replm Kit, Cir Board	1
5	59978	000000	Replm Kit, Hourmeter	1
6	59979	000000	Replm Kit, Touch Panel	1
7	59971	000000	Replm Kit, Lamp, Backlighting (B)	2
8	56346	000000	Replm Kit, Lamp (B)	1
9	10632-5	000000	Grommet, Rbr, 0.25Id, For .09Matl.	4
10	61969	000000	Switch, Rocker, Dpdt	1
11	57807	000000	Cover, Rocker Switch Seal	1
12	87536	000000	Switch Ignition	1
13	87866	000000	Key Set, Switch Ku	1
14	72109	000000	Replm Kit, Sun Shield	1
15	65245	000000	Panel, Cover, Dash	1
16	70637	000000	Seal, Handle, Valve	1

NOTE: If a service kit is installed on your machine, be sure to keep the **INSTRUCTION BULLETIN** which came with the kit. It contains repair parts numbers needed for ordering future parts.

NOTE: Fasteners used in this machine may be metric or non-metric. Take care when replacing hardware to replace with same thread size.



PLACING AN ORDER

Orders may be placed by phone, fax, or by mail. Phone orders may need written confirmation. Follow the steps below to insure prompt delivery:

1. Identify the model number of your machine.
2. Identify the serial number of your machine.
3. Find the part number of the part you need. Do not order by page number or reference number. If you are not able to find the part number, call your TARRANT representative for help or send the old part as a sample.
4. Determine the quantity of the part you need.
5. Provide the following company information:
 - Company name
 - Customer ID Number
 - Shipping address
 - Billing address
 - First and last name of person ordering parts
 - Telephone number
 - Purchase order number
6. Provide definitive shipping instructions.

HOW TO USE THIS MANUAL

Any claim for loss or damage to a shipment in transit should be filed promptly with the transportation company making the delivery. Shipments will be complete unless the packing list or order acknowledgement indicates items back ordered.

If parts received are suspected to be incorrect or defective, please contact the TENNANT representative from whom you ordered the part. They will give authorization for return and/or handle replacement shipments when required.

SECTION 2

Contents	Page	Contents	Page
Fig. 1 – General Recommended Maintenance Items	2-4	Fig. 36 – Engine Electronic Fuel Ignition and Vaporizer Group, LPG (004937-005999)	2-74
Fig. 2 – Brushes, Replacement	2-5	Fig. 37 – Engine Electronic Fuel Ignition and Vaporizer Group, LPG (006000-006999)	2-78
Fig. 3 – Main Frame Skirt and Seals Group	2-6	Fig. 38 – Engine Electronic Fuel Ignition and Vaporizer Group, LPG (007000-007486)	2-82
Fig. 4 – Main Frame Left Brush Door Group ...	2-8	Fig. 39 – Engine EFI Group, LPG (007487-)	2-86
Fig. 5 – Main Frame Right Brush Door Group .	2-10	Fig. 40 – Engine Vaporizer Group, LPG (007487-)	2-88
Fig. 6 – Main Frame Operator Station Group .	2-12	Fig. 41 – Engine Air Cleaner Group (004000-004936)	2-90
Fig. 7 – Seat Group	2-14	Fig. 42 – Engine Air Cleaner Group (004937-005999)	2-92
Fig. 8 – Main Frame Top Engine Cover and Horn Group	2-16	Fig. 43 – Engine Air Cleaner Group, Gas (006000-006999)	2-94
Fig. 9 – Main Frame Rear Engine Door Group	2-18	Fig. 44 – Engine Air Cleaner Group, Gas (007000-)	2-96
Fig. 10 – Main Frame Engine Side Door Group (004000-006999)	2-20	Fig. 45 – Engine Air Cleaner Group, LPG (006000-006999)	2-98
Fig. 11 – Main Frame Engine Side Door Group (007000-)	2-22	Fig. 46 – Engine Air Cleaner Group, LPG (007000-)	2-100
Fig. 12 – Hopper Lift Arms Group	2-24	Fig. 47 – Engine Muffler Group (004000-004936)	2-102
Fig. 13 – Hopper Lift Cylinders Group	2-26	Fig. 48 – Engine Muffler Group, Catalytic (004937-005999)	2-104
Fig. 14 – Hopper Group	2-28	Fig. 49 – Engine Muffler Group, Catalytic (006000-006999)	2-106
Fig. 15 – Hopper Door Group	2-30	Fig. 50 – Engine Muffler Group, Catalytic (007000-)	2-108
Fig. 16 – Hopper Cover Group	2-32	Fig. 51 – Engine Fuel Tank Group, Gas (004000-004936)	2-110
Fig. 17 – Hopper Bumper Group	2-34	Fig. 52 – Engine Fuel Tank Group, Gas (004937-005999)	2-112
Fig. 18 – Hopper Filter Shaker Group	2-36	Fig. 53 – Engine Fuel Tank Group, Gas (006000-006999)	2-114
Fig. 19 – Hopper Pressure Switch Group	2-38	Fig. 54 – Engine Fuel Tank Group, Gas (007000-)	2-116
Fig. 20 – Engine and Alternator Group (004000-004936)	2-40	Fig. 55 – Engine Fuel Tank Group, LPG (004000-004936)	2-118
Fig. 21 – Engine Mount Group (004000-004936)	2-42	Fig. 56 – Engine Fuel Tank Group, LPG (004937-005999)	2-120
Fig. 22 – Engine Group (004937-005999)	2-44	Fig. 57 – Engine Fuel Tank Group, LPG (006000-006999)	2-122
Fig. 23 – Engine Group (006000-006999)	2-46	Fig. 58 – Engine Fuel Tank Group, LPG (007000-)	2-124
Fig. 24 – Engine Group (007000-) ...	2-48	Fig. 59 – Engine Radiator Hose Group (004000-004936)	2-126
Fig. 25 – Engine Alternator Group (004937-005999)	2-52	Fig. 60 – Engine Radiator Hose Group (004937-005999)	2-128
Fig. 26 – Engine Alternator Group (006000-006999)	2-54		
Fig. 27 – Engine Alternator Group (007000-)	2-56		
Fig. 28 – Engine Oil Filter and Drain Group (004937-)	2-58		
Fig. 29 – Engine Carburetor and Governor Group, Gasoline (004000-004936) .	2-60		
Fig. 30 – Engine Electronic Fuel Ignition Group, Gas (004937-005999)	2-62		
Fig. 31 – Engine Electronic Fuel Ignition Group, Gas (006000-006999)	2-64		
Fig. 32 – Engine Electronic Fuel Ignition Group, Gas (007000-)	2-66		
Fig. 33 – Engine Carburetor and Governor Group, LPG (004000-004936)	2-68		
Fig. 34 – Engine Vaporizer Group, LPG (004000-004818)	2-70		
Fig. 35 – Engine Vaporizer Group, LPG (004819-004936)	2-72		

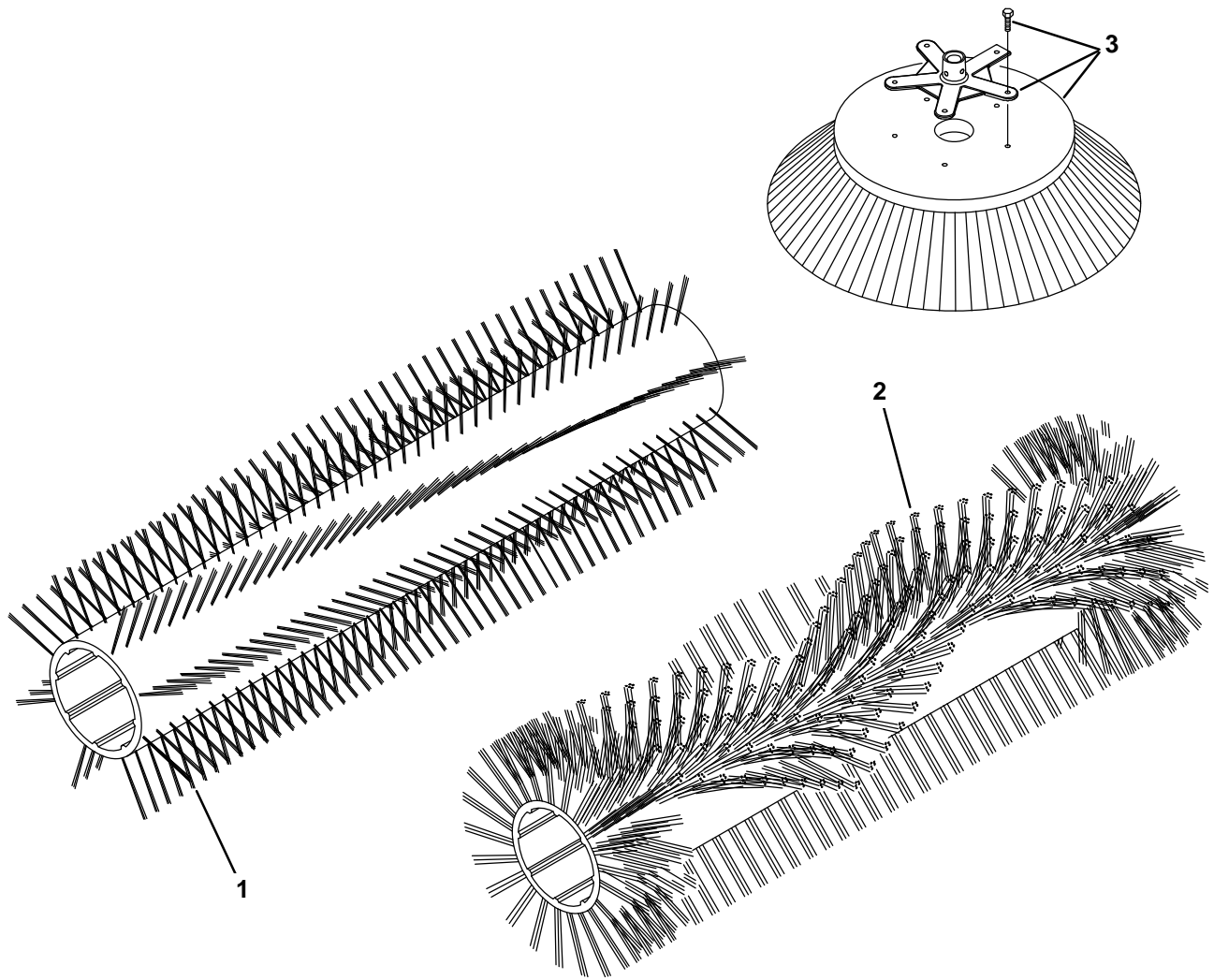
STANDARD PARTS

Contents	Page	Contents	Page
Fig. 61 – Engine Radiator Hose Group (006000–006999)	2–130	Fig. 100 – Wire Harnesses Group, Gas/LPG Engine (006000–006999)	2–223
Fig. 62 – Engine Radiator Hose Group (007000–)	2–132	Fig. 101 – Wire Harnesses Group, Gas/LPG Injectors (006000–006999)	2–226
Fig. 63 – Engine Radiator and Cooling Fan Group (004000–006308)	2–134	Fig. 102 – Wire Harnesses Group, Gas/LPG Engine (007000–007486)	2–227
Fig. 64 – Engine Radiator and Cooling Fan Group (006309–006999)	2–136	Fig. 103 – Wire Harnesses Group, Gas/LPG Engine (007487–)	2–228
Fig. 65 – Engine Radiator and Cooling Fan Group (007000–)	2–138	Fig. 104 – Wire Harnesses Schematic, Gas Engine (007000–)	2–229
Fig. 66 – Engine Battery Group (006000–006999)	2–140	Fig. 105 – Wire Harnesses Schematic, LPG Engine (007000–)	2–232
Fig. 67 – Engine Battery Group (007000–)	2–142	Fig. 106 – Wire Harnesses Group, Gas/LPG Adaptor (006000–006999)	2–236
Fig. 68 – Wheel Group, Rear Drive	2–144	Fig. 107 – Wire Harnesses Group, Gas/LPG Adaptor (007000–)	2–238
Fig. 69 – Wheels and Brakes Group, Front	2–146	Fig. 108 – Label Group	2–240
Fig. 70 – Wheel Assembly	2–148		
Fig. 71 – Brake Pedals Group	2–150		
Fig. 72 – Directional Pedal Group	2–152		
Fig. 73 – Hydraulic Pumps Group	2–154		
Fig. 74 – Hydraulic Schematic	2–156		
Fig. 75 – Hydraulic Hose Group (004000–004936)	2–158		
Fig. 76 – Hydraulic Hose Group (004937–)	2–160		
Fig. 77 – Hydraulic Reservoir Group	2–162		
Fig. 78 – Hydraulic Filter and Cooler Group	2–164		
Fig. 79 – Hydraulic Solenoid Valve Group	2–166		
Fig. 80 – Hydraulic Lift Valve Group	2–168		
Fig. 81 – Side Brush Motor Group	2–170		
Fig. 82 – Side Brush Pivot Group	2–172		
Fig. 83 – Side Brush Lift Group	2–174		
Fig. 84 – Main Brush Drive Group	2–178		
Fig. 85 – Main Brush Lift Group	2–180		
Fig. 86 – Main Brush Adjustment Group	2–182		
Fig. 87 – Vacuum Fan Impeller Group	2–184		
Fig. 88 – Vacuum Fan Motor Group	2–186		
Fig. 89 – Steering Group	2–188		
Fig. 90 – Electrical Instrument Panel Assembly	2–190		
Fig. 91 – Electrical Circuit Breaker and Relay Group	2–192		
Fig. 92 – Electrical Schematic (004000–004936)	2–193		
Fig. 93 – Electrical Schematic (004937–005999)	2–197		
Fig. 94 – Electrical Schematic (006000–)	2–202		
Fig. 95 – Wire Harnesses Group, Gas/LPG, Main (004000– 004274)	2–208		
Fig. 96 – Wire Harnesses Group, Gas/LPG, Hopper (004000–)	2–212		
Fig. 97 – Wire Harnesses Group, Gas/LPG, Tail Lights (004000–)	2–213		
Fig. 98 – Wire Harnesses Group, Gas/LPG, Main (004275–004936)	2–214		
Fig. 99 – Wire Harnesses Group, Gas/LPG, Main (004937–)	2–218		

Fig. 1 – General Recommended Maintenance Items

Ref.	Part No.	Serial Number	Description	Qty.
▽	77632	(004000–)	Maintenance Kit, Skirts	1
▲	73870	(004000–)	Skirt, Brush Door	2
▲	64788	(004000–)	Skirt, Brush Door	2
▲	70453	(004000–)	Strip, Retainer, Skirt	2
▲	62955	(004000–)	Skirt, Seal, Main Brush	1
▲	62957	(004000–)	Channel, Retainer, Seal, Rear	1
▲	62954	(004000–)	Blade, Deflector	1
▲	62956	(004000–)	Strap, Retainer, Seal	1
▲	43500	(004000–)	Chain, Link#2/0, 7Links	1
▽	79032	(004000–)	Maintenance Kit, Skirts 800	1
▲	64919	(004000–)	Seal, Pan, Top	1
▲	64920	(004000–)	Channel, Retainer	1
▲	73654	(004000–)	Seal, Brush Comp, Side	2
▲	73888	(004000–)	Skirt, Front, Indoor	2
▽	380709	(004000–004936)	Maintenance Kit, 400HR 800/810 gas	1
▲	39703–2	(004000–004936)	Filter Element, Oil, Cont. Gas–SE	4
▲	60846	(004000–004936)	Spark Plug–10 FD	4
▲	84883	(004000–004936)	Valve, PCV	1
▲	36050	(004000–004936)	Filter, Fuel	2
▲	60933	(004000–006999)	Element, Filter, Air	1
▲	60934	(004000–006999)	Element, Filter, Air	1
▽	380710	(004000–004936)	Maintenance Kit, 400HR 800/810 lpg	1
▲	39703–2	(004000–004936)	Filter Element, Oil, Cont. Gas–SE	4
▲	60846	(004000–004936)	Spark Plug–10 FD	4
▲	84883	(004000–004936)	Valve, PCV	1
▲	60933	(004000–006999)	Element, Filter, Air	1
▲	60934	(004000–006999)	Element, Filter, Air	1
▽	77634	(004000–)	Maintenance Kit, 800HR 800/810	1
▲	34306	(004000–)	Breather, Hyd 40Mic NO DS	1
▲	31613	(004000–)	Strainer–Hyd Suction 25–100–03	1
▲	10664	(004000–)	Filter Assy, Spin–on	1
▲	1057711	(004000–)	Oil, Hyd [EI, Iso 100, 05gal]	3
	1057710	(004000–)	Oil, Hyd [EI, Iso 100, 01gal]	1
	1057707	(004000–)	Oil, Hyd [EI, Iso 32, 01gal]	1
	1057708	(004000–)	Oil, Hyd [EI, Iso 32, 05gal]	1
	393934	(004937–006999)	Sparkplug [Gm 3.0]	4
	9006586	(007000–)	Sparkplug	4
	372652	(007000–)	Element, Fltr, Air [Dn]	1
	372651	(007000–)	Element, Fltr, Air	1
	16411	(004000–)	Paint, Airdry, Off–White, 12oz	1
	16412	(004000–)	Paint, Airdry, Teal, 12oz, Solid	1
	377540	(004000–)	Paint, Airdry, Blk, 12oz	1
	377538	(004000–)	Paint, Airdry, Gray, 12oz	1
	377537	(004000–)	Paint, Airdry, Iron Gray, 12oz	1

Fig. 2 – Brushes, Replacement



07628 – 800

Ref.	Part No.	Serial Number	Description	Qty.	
1	35326	(004000–)	Brush–Sweep –Polypropylene	1	
1	35324	(004000–)	Brush–Sweep –Polypropylene&Wire	1	
1	35327	(004000–)	Brush–Sweep –Wire	1	
1	35325	(004000–)	Brush–Outsd –Polypropylene	1	
1	35336	(004000–)	Brush–Patrl –Nylon	1	
1	35323	(004000–)	Brush–Sweep –Nylon (24SR)	1	
1	66020	(004000–)	Brush–Sweep –Nylon (8DR)	1	
2	370011	(004000–)	Brush, Swp, Wedge, Polypropylene	1	
▽	3	75011	(004000–)	Brush–Side Swp –Assy–Nylon	1
▲		51021N	(004000–)	Brush–Side Swp –Nylon	1
▲		1042969	(004000–)	Hub, Drive, Brush, Side, 1.00b 8.8bc	1
▲		39394	(004000–)	Screw, Hex, .31–09 X 1.25, Wood	5
▽	3	75010	(004000–)	Brush–Side Swp –Assy–Flat Wire	1
▲		51542	(004000–)	Brush–Side Swp –Flat Wire	1
▲		1042969	(004000–)	Hub, Drive, Brush, Side, 1.00b 8.8bc	1
▲		39394	(004000–)	Screw, Hex, .31–09 X 1.25, Wood	5
▽	3	70649	(004000–)	Brush–Side Swp –Assy–Polypropylene	1
▲		70538	(004000–)	Brush–Side Swp –Polypropylene	1
▲		1042969	(004000–)	Hub, Drive, Brush, Side, 1.00b 8.8bc	1
▲		39394	(004000–)	Screw, Hex, .31–09 X 1.25, Wood	5

Fig. 3 – Main Frame Skirt and Seals Group

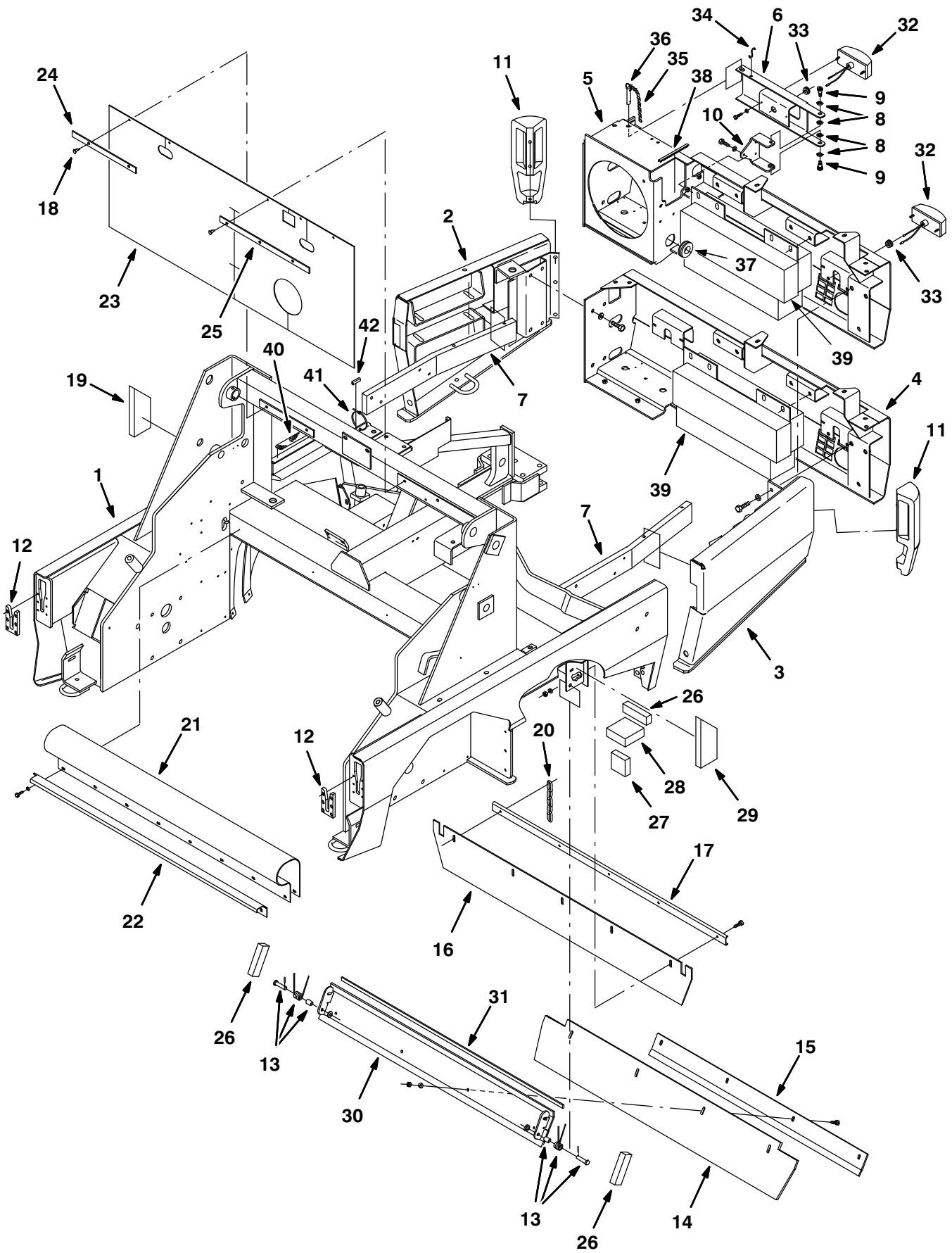


Fig. 3 – Main Frame Skirt and Seals Group

Ref.	Part No.	Serial Number	Description	Qty.	
1	77777	(004000–008088)	Frame Wldt, Main [800I]	1	
1	1073839	(008089–)	Frame Wldt, Main [800I Gray]	1	
2	77782	(004000–008088)	Panel Wldt, Rear, Rh	1	
2	1073840	(008089–)	Panel Wldt, Rear, Rh [800 Gray]	1	
3	77734	(004000–008088)	Panel Wldt, Rear, Lh	1	
3	1073838	(008089–)	Panel Wldt, Rear, Lh [800 Gray]	1	
4	79680	(004000–006999)	Bumper Wldt, Rear, Gas/Dsl	1	
4	1028300	(007000–008088)	Bumper Wldt, Rear, Gas/Dsl	1	
4	1073805	(008089–)	Bumper Wldt, Rear, Gas/Dsl [800 Gray]	1	
5	1032075	(007000–008088)	Bumper Wldt, Rear, Lpg	1	
5	1073807	(008089–)	Bumper Wldt, Rear, Lpg [800 Gray]	1	
6	77680	(004000–)	Door, Bmpr, Lpg	1	
6	1073836	(008089–)	Door, Bumper, Lpg [800 Gray]	1	
7	77593	(004000–)	Bracket, Frame, 1.0 X 3.50w	2	
8	86860	(004000–)	Washer, Thrust, 0.50b 0.87d 0.06w	4	
9	36758	(004000–)	Bolt, Shld, .50d X 0.50, .38–16	2	
10	70517	(004000–008088)	Bracket, Pivot, Hinge, Door, Lpg	1	
10	1073825	(008089–)	Bracket, Hinge, Door, Lpg [800 Gray]	1	
11	63544	(004000–008088)	Bumper, Corner, Mach	2	
11	1073814	(008089–)	Bumper, Corner, Mach [800 Gray]	2	
12	63663	(004000–)	Guide, Align, Bmpr, Pye	2	
13	69904	(004000–)	Spring Assy Kit	1	
14	62954	(004000–)	Skirt, Neo, .06, 08.00w 53.38l, 04/ SI	1	
15	62956	(004000–)	Retainer, Blade, Deflector	1	
16	62955	(004000–)	Skirt, Neo, .18, 07.75w 54.75l, 05/ SI	1	
17	62957	(004000–)	Channel, .12, 1.5w 0.5 49.5l, 5/0.4h	1	
18	21168	(004000–)	Plug, Hole, Rnd, 0.25h 0.8l, Brb, Nyl	5	
19	74066	(004000–)	Insulation, Acstc, 1.0, 03.5 X 09.0 Cham	1	
20	43500	(004000–)	Chain, Coil, Str, 2/0, 09.0l 07 Link	1	
21	64919	(004000–)	Seal	1	
22	64920	(004000–)	Retainer, Seal, Pan Top	1	
23	73724	(004000–)	Shield, Dust, Front Firewall, Full	1	
24	70843	(004000–)	Retainer, Shield, Dust, Rh	1	
25	70844	(004000–)	Retainer, Shield, Dust, Lh	1	
26	74064	(004000–)	Insulation, Acstc, 1.0, 01.5 X 04.0	4	
27	73863	(004000–)	Insulation, Acstc, 1.0, 03.0 X 03.0	2	
28	73862	(004000–)	Insulation, Acstc, 1.5, 04.0 X 04.0	2	
29	74067	(004000–)	Insulation, Acstc, 1.0, 03.5 X 09.0 Cham	1	
30	73645	(004000–)	Channel Wldt, Mtg	1	
31	79010	(004000–)	Seal, Ure, 0.25, 0.50w 47.0l	1	
▽	32	57941	(004000–)	Taillight, 12vdc, 6.0 X 2.5, Rwk 57940	2
▲		45780	(004000–)	Lamp, 12vdc, 0.5a, 04cp [#1157]	1
	33	87515	(004000–)	Grommet, Rbr, 0.50id, F/0.8h, .25 Matl	2
	34	43363	(004000–)	Hook, S, .13d 1.0l	1
	35	06121	(004000–)	Chain, Sash, 35, 06.0l 11 Link	1
	36	79608	(004000–)	Pin, Hitch, .500d X 1.00l, PI	1
	37	74920	(004000–)	Grommet, Flexible, .25 06.0l	1
	38	79670	(004000–)	Grommet, Flexible, .25 24.0l	1
	39	79671	(004000–)	Weight, Counter, Gas/Lpg	1
	40	86798	(004000–)	Tread, Non–Skid, 01.4w 12.0l	1
	41	49263	(004000–)	Tie, Cable, Nyl, 11.4l .19w 3.0 Max D	1
	42	361160	(004000–)	Molding, Trim, Pvc, .08–.11 01.0l	1

Fig. 4 - Main Frame Left Brush Door Group

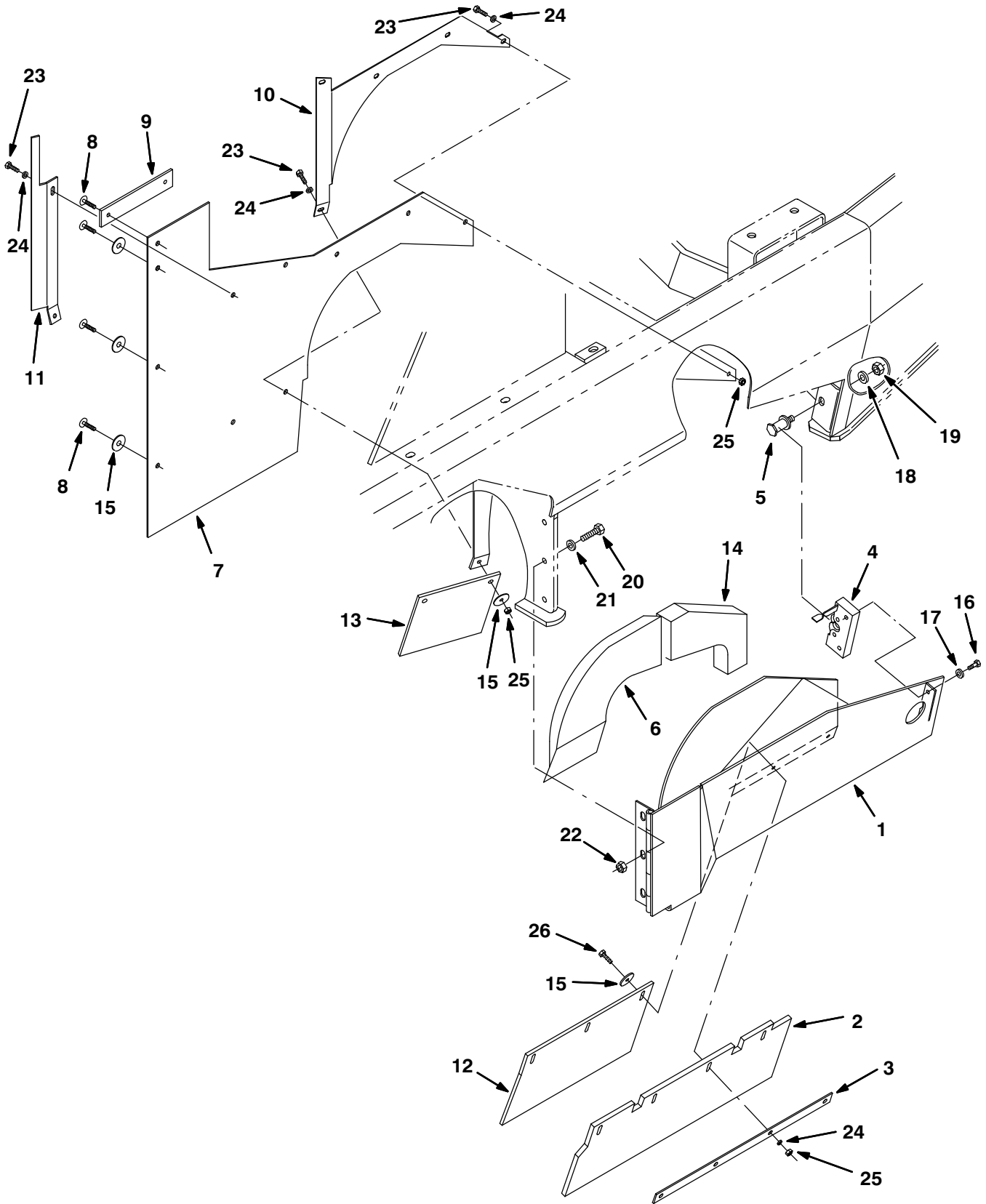


Fig. 4 – Main Frame Left Brush Door Group

Ref.	Part No.	Serial Number	Description	Qty.
1	64801	(004000–008088)	Door Wldt, Brush, Lh	1
1	1073817	(008089–)	Door Wldt, Brush, Lh [800 Gray]	1
2	73870	(004000–)	Skirt, Neo, .37, 07.50w 21.75l, 04/ SI	1
3	70453	(004000–)	Retainer, Skirt, .12, 1.0w X 18.5l, Blk	1
4	58489	(004000–)	Latch	1
5	58898	(004000–)	Bolt, Latch, F/58489/58844	1
6	70809	(004000–)	Seal, Rbr, Clsd, 1.62, Door, Brush, Lh	1
7	73654	(004000–)	Seal, Brush, Side, Complt [800l]	1
8	21168	(004000–)	Plug, Hole, Rnd, 0.25h 0.8l, Brb, Nyl	5
9	21282	(004000–)	Retainer, Skirt, .08, 1.5w X 07.5l	1
10	70597	(004000–)	Retainer, Skirt, .07	1
11	73648	(004000–)	Retainer, Skirt, .12, 1.2w X 15.7l	1
12	64788	(004000–)	Skirt, Rbr, .25, 07.84w 13.50l, 03/ SI	1
13	73888	(004000–)	Skirt, Rbr, .25, 07.45w 06.37l, 02/ Hole	1
14	74062	(004000–)	Insulation, Acstc, 1.5, 07.8 X 08.0 Ntch	1
15	41178	(004000–)	Washer, Flat, 0.25, Fendr	9
16	34323	(004000–)	Screw, Hex, .25–20 X 0.75, NI	2
17	41185	(004000–)	Washer, Flat, Belleville, .25	2
18	39346	(004000–)	Washer, Flat, 0.44, Std	1
19	43955	(004000–)	Nut, Hex, Std, .44–14, 5	1
20	39283	(004000–)	Screw, Hex, M10 X 1.50 X 25, 8.8	3
21	32492	(004000–)	Washer, Flat, 0.38, Std	3
22	07792	(004000–)	Nut, Hex, Flng, M10 X 1.50	3
23	06944	(004000–)	Screw, Hex, M6 X 1.00 X 25, 8.8	5
24	32483	(004000–)	Washer, Flat, 0.25, Sae	14
25	08708	(004000–)	Nut, Hex, Lock, M6 X 1.00, NI	11
26	06946	(004000–)	Screw, Hex, M6 X 1.00 X 35, 8.8	4

Fig. 5 - Main Frame Right Brush Door Group

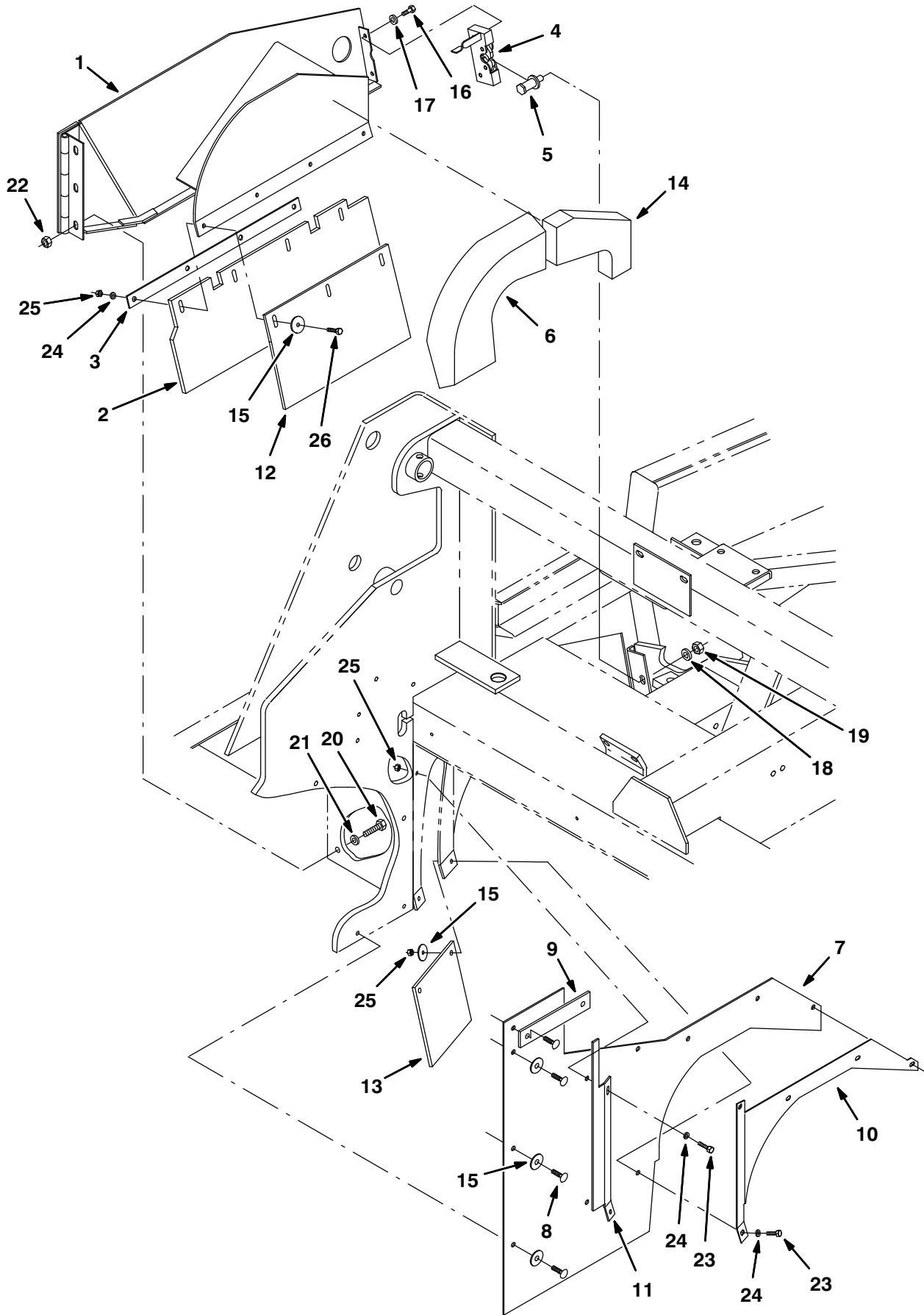


Fig. 5 – Main Frame Right Brush Door Group

Ref.	Part No.	Serial Number	Description	Qty.
1	64802	(004000–008088)	Door Wldt, Brush, Rh	1
1	1073818	(008089–)	Door Wldt, Brush, Rh [800 Gray]	1
2	73870	(004000–)	Skirt, Neo, .37, 07.50w 21.75l, 04/ SI	1
3	70453	(004000–)	Retainer, Skirt, .12, 1.0w X 18.5l, Blk	1
4	58844	(004000–)	Latch	1
5	58898	(004000–)	Bolt, Latch, F/58489/58844	1
6	70808	(004000–)	Seal, Rbr, Clsd, 1.62, Door, Brush, Rh	1
7	73654	(004000–)	Seal, Brush, Side, Complt [800l]	1
8	21168	(004000–)	Plug, Hole, Rnd, 0.25h 0.8l, Brb, Nyl	5
9	21282	(004000–)	Retainer, Skirt, .08, 1.5w X 07.5l	1
10	70598	(004000–)	Retainer, Skirt, .07	1
11	73649	(004000–)	Retainer, Skirt, .12, 1.2w X 15.7l	1
12	64788	(004000–)	Skirt, Rbr, .25, 07.84w 13.50l, 03/ SI	1
13	73888	(004000–)	Skirt, Rbr, .25, 07.45w 06.37l, 02/ Hole	1
14	74063	(004000–)	Insulation, Acstc, 1.5, 07.8 X 08.0 Cham	1
15	41178	(004000–)	Washer, Flat, 0.25, Fendr	9
16	34323	(004000–)	Screw, Hex, .25–20 X 0.75, NI	2
17	41185	(004000–)	Washer, Flat, Belleville, .25	2
18	39346	(004000–)	Washer, Flat, 0.44, Std	1
19	43955	(004000–)	Nut, Hex, Std, .44–14, 5	1
20	39283	(004000–)	Screw, Hex, M10 X 1.50 X 25, 8.8	3
21	32492	(004000–)	Washer, Flat, 0.38, Std	3
22	07792	(004000–)	Nut, Hex, Flng, M10 X 1.50	3
23	06944	(004000–)	Screw, Hex, M6 X 1.00 X 25, 8.8	5
24	32483	(004000–)	Washer, Flat, 0.25, Sae	14
25	08708	(004000–)	Nut, Hex, Lock, M6 X 1.00, NI	11
26	06946	(004000–)	Screw, Hex, M6 X 1.00 X 35, 8.8	4

Fig. 6 – Main Frame Operator Station Group

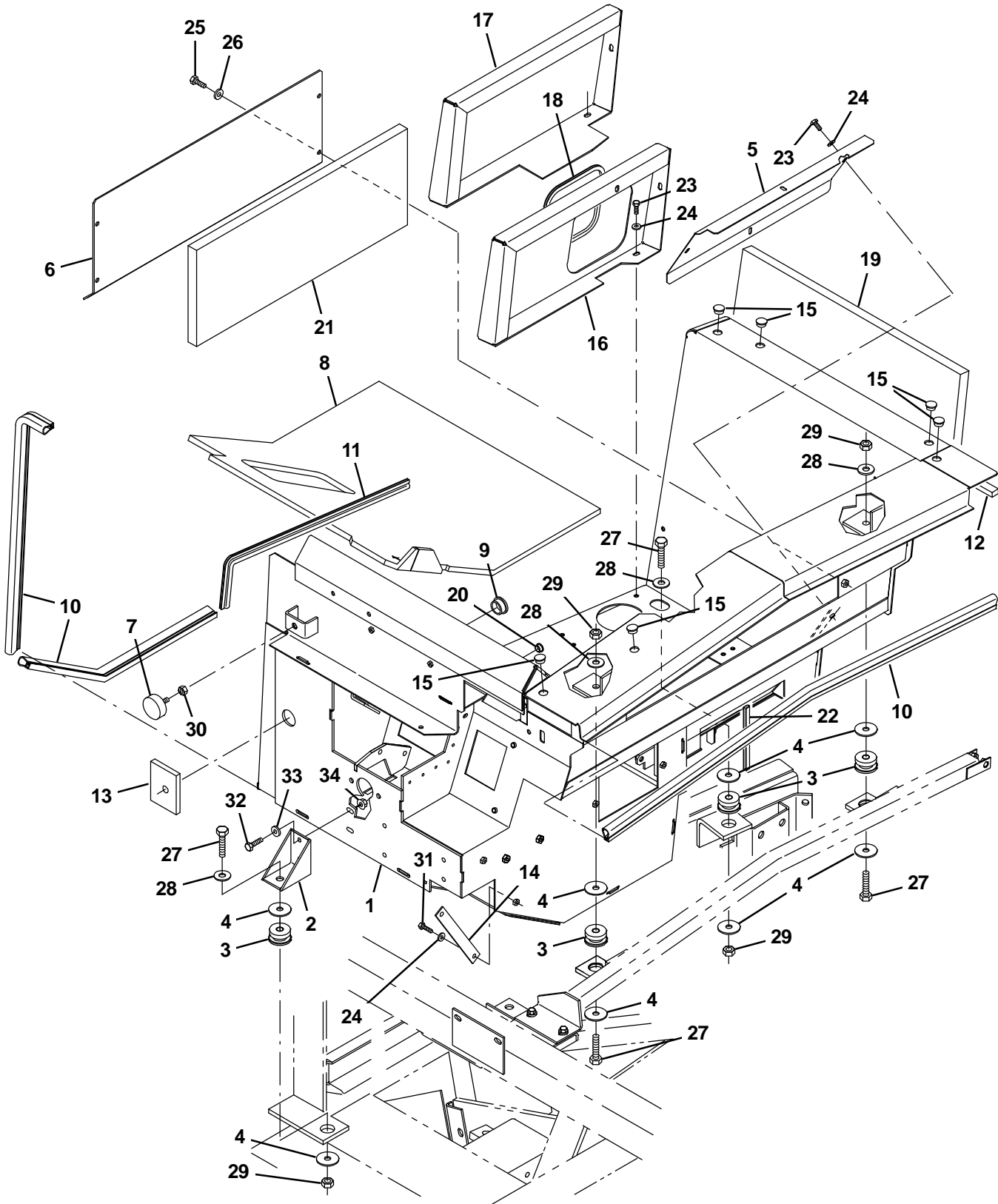


Fig. 6 – Main Frame Operator Station Group

Ref.	Part No.	Serial Number	Description	Qty.
1	380680	(004000–008088)	Panel, Oprtr Station, W/ Label,[800l]	1
1	9012871	(008089–)	Panel, Oprtr Station, W/ Label[800 Gray]	1
2	63751	(004000–)	Bracket Wldt, Oprtr Station	1
3	51176	(004000–)	Isolator, Vib, .50d	4
4	04414	(004000–)	Washer, Flat, 0.53b 1.88d .12, Stl, PI	8
5	64884	(004000–008088)	Cover, Access, Oprtr Station, Side	1
5	1073819	(008089–)	Cover, Access, Oprtr Station, Side[Gray]	1
6	70450	(004000–004439)	Cover, Access, Eng	1
6	375696	(004440–008088)	Panel, Access, Eng, 27.0l X 10.8w	1
6	1073844	(008089–)	Panel, Access, Eng, 27.0l X 10.8w [Gray]	1
7	70756	(004000–)	Bumper, Rbr, 2.0d 0.75th .38–16	1
8	76495	(004000–)	Pad, Rbr, Floormat, .44 27.0w 28.3l	1
9	76888	(004000–)	Plug, Hole, Rnd, 1.25h .03–.12, Blk Nyl	1
10	1050781	(004000–)	Seal, Afmkt, Bulb, 90, 1.33 08ft	1
11	1050775	(004000–)	Seal, Afmkt, Bulb, Str, 0.58d 03ft	1
12	74081	(004000–)	Seal, Rbr, Open, 0.50, 1.00w 60.0l	1
13	79028	(004000–)	Seal, Rbr, Clsd, 0.50, 3.0w 04.0l 1/H	1
14	76492	(004000–008088)	Strip, Stl, 0.12 01.00w 08.30l	1
14	1073831	(008089–)	Bar, Stl, 0.12, 01.00 X 08.32l[800 Gray]	1
15	75428	(004000–)	Plug, Hole, Rnd, 0.75h .03–.12, Blk Nyl	7
16	380728	(004000–008088)	Cover, Side, Fuel, Gas, W/ Label [800]	1
16	9012857	(008089–)	Cover, Side, Fuel, Gas, W/ Label[800b/G]	1
17	70704	(004000–008088)	Panel, Side, Lpg [800l]	1
17	1074280	(008089–)	Panel, Side, Fuel Filler, Lpg [Gray]	1
18	380692	(004000–)	Molding, Trim, Pvc, .08–.11 26.5l	1
19	23946	(004000–)	Insulation, Acstc, 1.0, 26.5 X 27.3 Ntch	1
20	33806	(004000–)	Plug, Hole, Rnd, 0.38h .03–.12, Nyl[Wht]	1
21	375698	(004000–)	Insulation, Acstc, 1.0, 25.0 X 09.9	1
22	62595–16	(007000–)	Molding, Trim, Pvc, .08–.11 08.5l	1
23	06943	(004000–)	Screw, Hex, M6 X 1.00 X 20, 8.8	9
24	19066	(004000–)	Washer, Flat, 0.25b 0.56d .05, PI, 10	9
25	16931	(004000–)	Screw, Hex, M8 X 1.25 X 20, 8.8	4
26	39349	(004000–)	Washer, Flat, 0.31, Sae	4
27	06972	(004000–)	Screw, Hex, M12 X 1.75 X 60, 8.8	4
28	32493	(004000–)	Washer, Flat, 0.50, Std	4
29	08711	(004000–)	Nut, Hex, Lock, M12 X 1.75, NI	4
30	32522	(004000–)	Nut, Hex, Jam, .38–16	1
31	06944	(004000–)	Screw, Hex, M6 X 1.00 X 25, 8.8	2
32	39277	(004000–)	Screw, Hex, M8 X 1.25 X 25, 8.8	2
33	41186	(004000–)	Washer, Flat, Belleville, .31	2
34	07791	(004000–)	Nut, Hex, Flng, M8 X 1.25	2

Fig. 7 – Seat Group

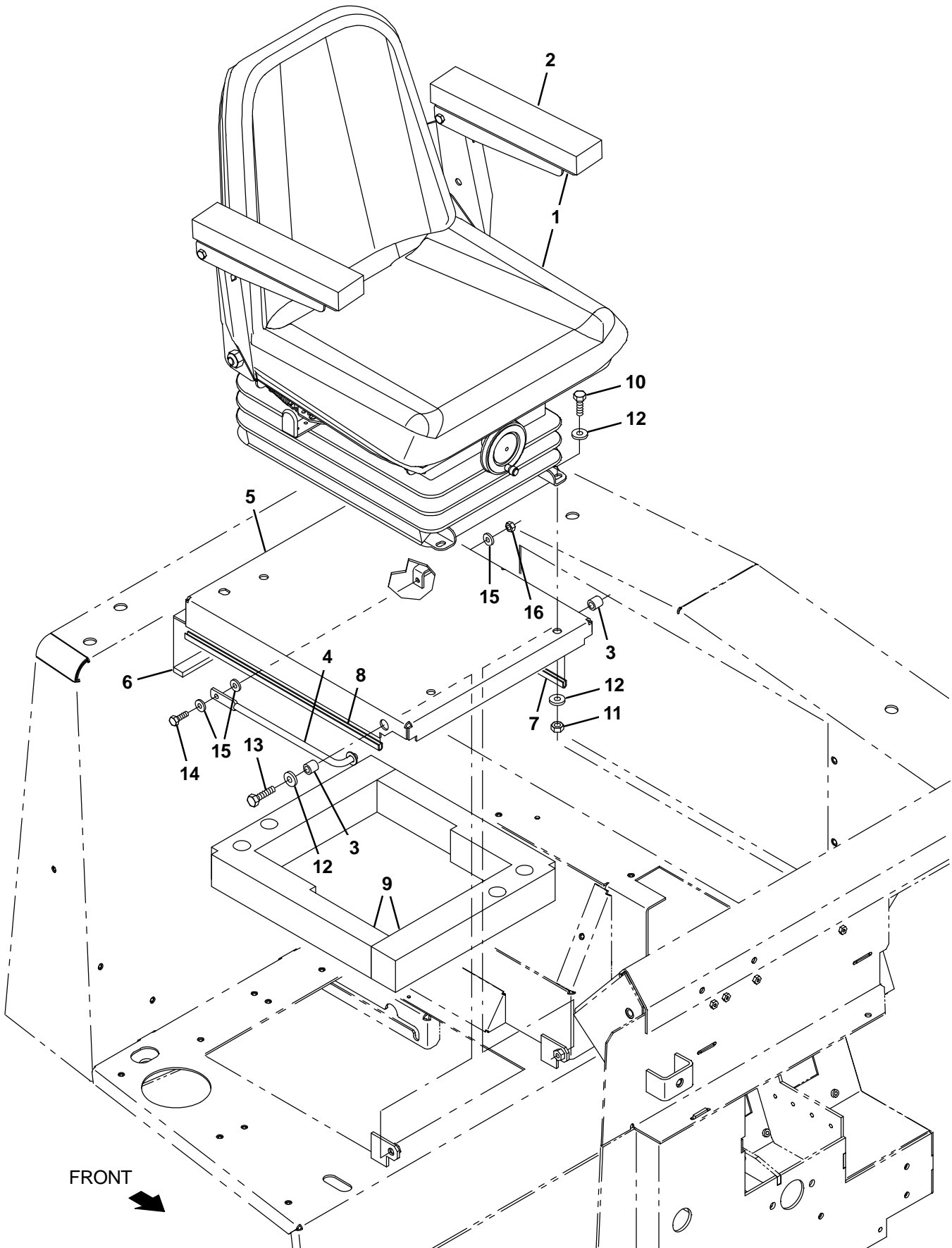


Fig. 7 – Seat Group

	Ref.	Part No.	Serial Number	Description	Qty.
▽	1	63294	(004000–)	Seat, Suspension [Seats Inc]	1
▲	2	311336	(004000–)	Cs, Armrest, Blk	1
	3	40716	(004000–)	Tube, 0.38id 0.62od 00.6l, Stl	2
	4	54615	(004000–)	Arm Wldt, Safety, Sppt, Seat, .38d 10.1l	1
	5	70478	(004000–008088)	Support Wldt, Seat	1
	5	1073824	(008089–)	Support Wldt, Seat [800 Gray]	1
	6	44777	(004000–)	Seal, Rbr, Open, 0.31, 0.75w 14.8l Adh	1
	7	62595–3	(004000–)	Molding, Trim, Pvc, .08–.11 05.8l	1
	8	62595–2	(004000–)	Molding, Trim, Pvc, .08–.11 15.8l	1
	9	76285	(004000–)	Insulation, Acstc, 2.3, 13.5 X 13.5 Ntch	2
	10	39277	(004000–)	Screw, Hex, M8 X 1.25 X 25, 8.8	4
	11	08709	(004000–)	Nut, Hex, Lock, M8 X 1.25, NI	4
	12	32491	(004000–)	Washer, Flat, 0.31, Std	10
	13	06955	(004000–)	Screw, Hex, M8 X 1.25 X 35, 8.8	2
	14	06943	(004000–)	Screw, Hex, M6 X 1.00 X 20, 8.8	1
	15	19066	(004000–)	Washer, Flat, 0.25b 0.56d .05, Pl, 10	3
	16	08708	(004000–)	Nut, Hex, Lock, M6 X 1.00, NI	1

Fig. 8 – Main Frame Top Engine Cover and Horn Group

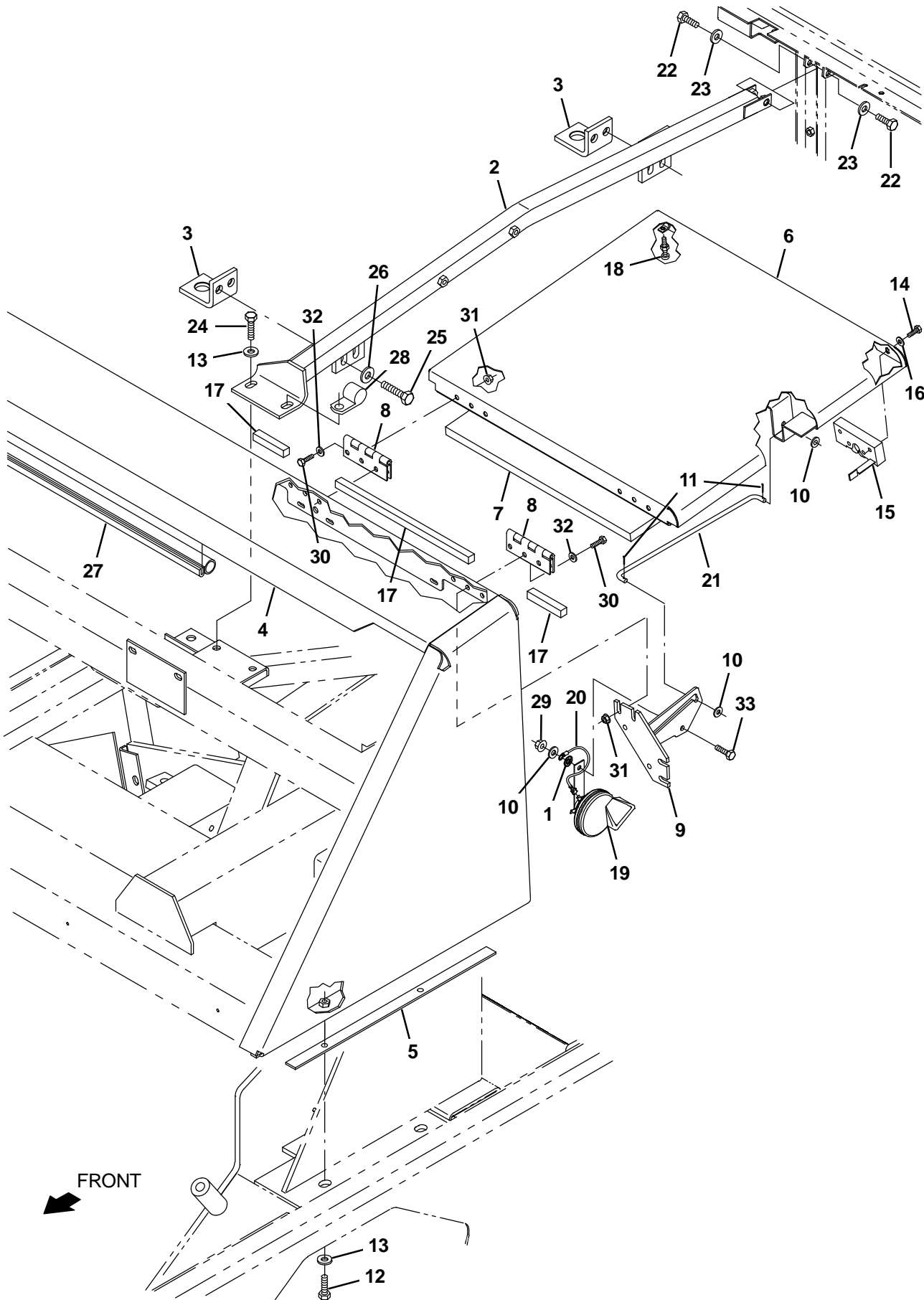


Fig. 8 – Main Frame Top Engine Cover and Horn Group

Ref.	Part No.	Serial Number	Description	Qty.
1	41141	(004000–)	Washer, Lock, Int–Ext, 0.31	1
2	380533	(004000–)	Tube Wldt, Brace, Cntr	1
3	380532	(004000–)	Bracket, Brace, Cntr	2
4	64278	(004000–008088)	Panel Wldt, Lntl	1
4	1073815	(008089–)	Panel Wldt, Lintel [800 Gray]	1
5	64279	(004000–)	Bar, Flat, Stl 0.18, 01.00 X 15.0l	2
6	75303	(004000–008088)	Door Wldt, Eng, Top [800]	1
6	1073827	(008089–)	Door Wldt, Eng, Top [800 B/Green]	1
7	76870	(004000–)	Insulation, Acstc, 0.8, 20.3 X 19.3	1
8	74040	(004000–)	Hinge	2
9	21131	(004000–)	Bracket Wldt, Gasspring	1
10	32491	(004000–)	Washer, Flat, 0.31, Std	3
11	39005	(004000–)	Pin, Cotter, .094 X 0.75	2
12	39284	(004000–)	Screw, Hex, M10 X 1.50 X 35, 8.8	4
13	32492	(004000–)	Washer, Flat, 0.38, Std	5
14	34323	(004000–)	Screw, Hex, .25–20 X 0.75, NI	2
15	58844	(004000–)	Latch	1
16	32490	(004000–)	Washer, Flat, 0.25, Std	2
17	53461–2	(004000–)	Seal, Rbr, Open, 0.63, 0.63w 24.5l	1
18	75128	(004000–)	Spindle, Adjustment	1
19	369704	(004000–)	Horn, 12vdc, DbA [Wolo]	1
20	70284	(004000–)	Wire, 16ga 06.0l Blk .25qf /.31ring	1
21	75883	(004000–)	Arm, Safety, Sppt, Cover, Eng, .31d 14.5	1
22	06961	(006009–)	Screw, Hex, M10 X 1.5	2
23	32485	(004000–)	Washer, Flat, 0.38, Sae	2
24	03192	(004000–)	Screw, Hex, M10 X 1.50 X 30, 8.8	1
25	06969	(004000–)	Screw, Hex, M12 X 1.75 X 40, 8.8	4
26	32486	(004000–)	Washer Flat, 0.50, Sae	4
27	1050787	(004000–)	Seal, Afmkt, Bulb, 90, 1.33 03ft	1
28	58366	(004000–)	Clamp, Cable, Stl, 1.25d X 1.00w, 1hole	1
29	07791	(004000–)	Nut, Hex, Flng, M8 X 1.25	1
30	06944	(004000–)	Screw, Hex, M6 X 1.00 X 25, 8.8	12
31	07790	(004000–)	Nut, Hex, Flng, M6 X 1.00	12
32	41185	(004000–)	Washer, Flat, Belleville, .25	12
33	16931	(004000–)	Screw, Hex, M8 X 1.25 X 20, 8.8	1

Fig. 9 – Main Frame Rear Engine Door Group

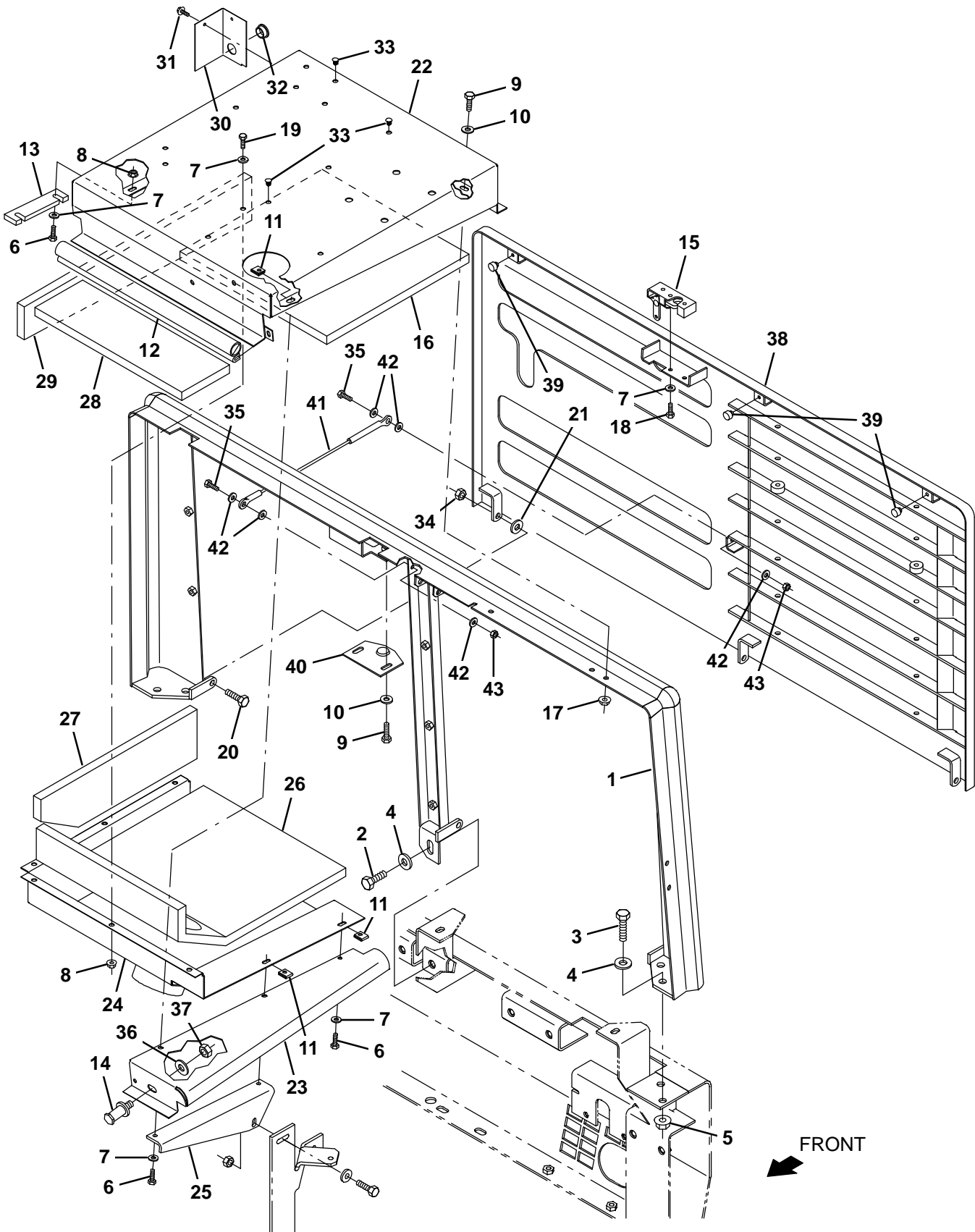


Fig. 9 – Main Frame Rear Engine Door Group

Ref.	Part No.	Serial Number	Description	Qty.
1	64312	(004000–008088)	Lintel Wldt, Rear	1
1	1073816	(008089–)	Lintel Wldt, Rear [800 B/Green]	1
2	41345	(004000–)	Screw, Hex, M12 X 1.75 X 25, 8.8	1
3	41346	(004000–)	Screw, Hex, M12 X 1.75 X 30, 8.8	4
4	32486	(004000–)	Washer Flat,0.50,Sae	5
5	07793	(004000–)	Nut, Hex, Flng, M12 X 1.75	4
6	06944	(004000–)	Screw, Hex, M6 X 1.00 X 25, 8.8	5
7	41185	(004000–)	Washer, Flat, Belleville, .25	13
8	07790	(004000–)	Nut, Hex, Flng, M6 X 1.00	8
9	16931	(004000–)	Screw, Hex, M8 X 1.25 X 20, 8.8	5
10	32491	(004000–)	Washer, Flat, 0.31, Std	5
11	12271	(004000–)	Nut, U, M6 X 1.00	3
12	1050786	(004000–)	Seal, Afmkt, Bulb, 90, 1.33 02ft	1
13	21230	(004000–)	Bar, Sppt, Eng Cover	1
14	59192	(004000–)	Latch, Bolt	1
15	59661	(004000–)	Latch	1
16	375537	(004000–)	Insulation, Acstc, 0.5, 17.0 X 15.0	1
17	07791	(004000–)	Nut, Hex, Flng, M8 X 1.25	3
18	25046	(004000–)	Screw, Hex, .25–20 X 1.00, G5	2
19	06942	(004000–)	Screw, Hex, M6 X 1.00 X 16, 8.8	6
20	03192	(004000–)	Screw, Hex, M10 X 1.50 X 30, 8.8	3
21	32485	(004000–)	Washer, Flat, 0.38, Sae	3
22	1014456	(004000–008088)	Panel Wldt, Cover, Eng, Top	1
22	1073804	(008089–)	Panel Wldt, Cover, Eng, Top[800 B/Green]	1
23	77711	(004000–008088)	Cover, Eng, Top	1
23	1073837	(008089–)	Cover, Eng, Top [800 B/Green]	1
24	47958	(004000–)	Panel, Duct, Vacuum	1
25	375513	(004000–)	Bracket, Angle, Sppt, Hood	1
26	380761	(004000–)	Insulation, Acstc, 0.8, 18.0 X 15.0 C–O	1
27	380762	(004000–)	Insulation, Acstc, 0.8, 16.5 X 04.5 Cham	1
28	380763	(004000–)	Insulation, Acstc, 0.8, 15.5 X 05.0	1
29	380764	(004000–)	Insulation, Acstc, 0.8, 23.0 X 04.0	1
30	380760	(004000–008088)	Panel, Corner, Cover, Eng	1
30	1073848	(008089–)	Panel, Corner, Cover, Eng [800 B/Green]	1
31	55845	(004000–)	Screw, Hex, M5 X 0.80 X 16, Fmg	1
32	82727	(004000–)	Plug, Hole, Rnd, 0.88h .03–.12, Blk Nyl	1
33	77399	(004000–)	Plug, Hole, Rnd, 0.24h 0.5l , Brb	11
34	41430	(004000–)	Nut, Hex, Lock, M10 X 1.5, NI	3
35	06943	(004000–)	Screw, Hex, M6 X 1.00 X 20, 8.8	2
36	32486	(004000–)	Washer Flat,0.50,Sae	1
37	39313	(004000–)	Nut, Hex, Std, M12 X 1.75	1
38	48006	(004000–008088)	Door Wldt, Access, Rear W/ Grill	1
38	1073811	(008089–)	Door Wldt, Access, Rear, W/ Grill [B/Gr]	1
39	51787	(004000–)	Bumper, Rbr, 0.6d 0.34th 0.3d Tip	3
40	65252	(004000–)	Plate, Strike	1
41	36192	(004000–)	Cable, Glv .13d 021.0l 330eye /330eye	1
42	19066	(004000–)	Washer, Flat, 0.25b 0.56d .05, PI, 10	6
43	08708	(004000–)	Nut, Hex, Lock, M6 X 1.00, NI	2

Fig. 10 – Main Frame Engine Side Door Group (004000–006999)

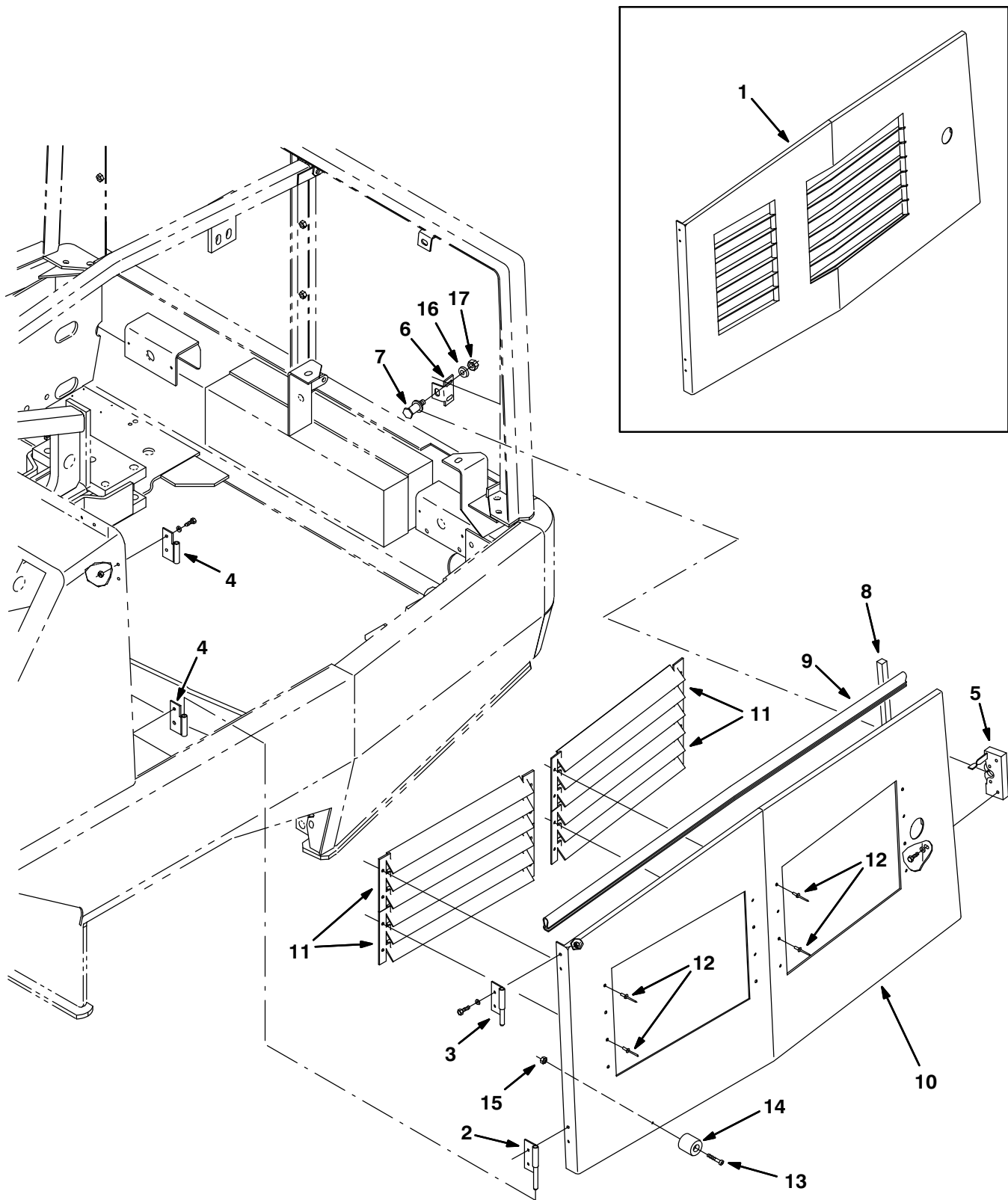


Fig. 10 – Main Frame Engine Side Door Group (004000–006999)

Ref.	Part No.	Serial Number	Description	Qty.
1	23950	(004000–004408)	Door Wldt, Eng, Side	1
2	64543	(004000–006999)	Hinge Wldt, Door, Side, W/ Pin	1
3	70628	(004000–006999)	Hinge Wldt, Side, W/ Pin	1
4	64545	(004000–006999)	Hinge Wldt, W/ Tube	2
5	58489	(004000–006999)	Latch	1
6	70407	(004000–006999)	Angle, Bolt, Latch	1
7	59192	(004000–006999)	Latch, Bolt	1
8	53461–2	(004000–006999)	Seal, Rbr, Open, 0.63, 0.63w 24.5l	1
9	57820	(004000–006999)	Seal, Bulb, 90, 1.33 .06–.09grip 048.0l	1
10	375695	(004409–006999)	Door Wldt	1
11	375693	(004409–006999)	Panel, Louver	4
12	06524	(004409–006999)	Rivet, Blind, .196d X 0.62 X .38d, Alm	16
13	09258	(004903–006999)	Screw, Pan, Phl, M6 X 1.00 X 40, 4.8	1
14	44851	(004903–006999)	Bumper, Rbr, 1.5d 1.50th 0.28h	1
15	08708	(004903–006999)	Nut, Hex, Lock, M6 X 1.00, NI	1
16	32493	(004000–006999)	Washer, Flat, 0.50, Std	1
17	39313	(004000–006999)	Nut, Hex, Std, M12 X 1.75	1

Fig. 11 – Main Frame Engine Side Door Group (007000-)

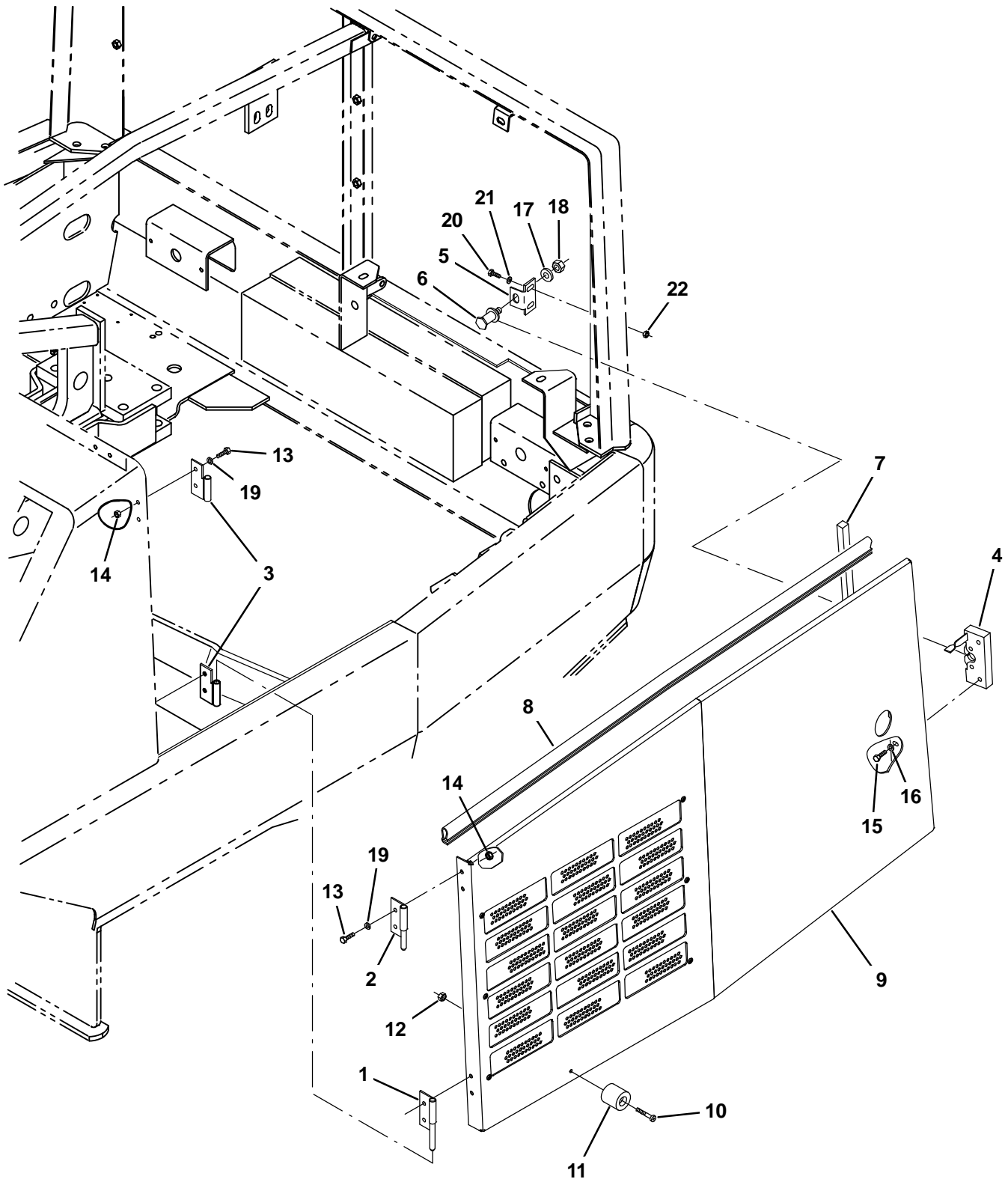


Fig. 11 – Main Frame Engine Side Door Group (007000–)

Ref.	Part No.	Serial Number	Description	Qty.	
1	64543	(007000–)	Hinge Wldt, Door, Side, W/ Pin	1	
2	70628	(007000–)	Hinge Wldt, Side, W/ Pin	1	
3	64545	(007000–)	Hinge Wldt, W/ Tube	2	
4	58489	(007000–)	Latch	1	
5	70407	(007000–008088)	Angle, Bolt, Latch	1	
5	1073822	(008089–)	Angle, Bolt, Latch [800 Gray]	1	
6	59192	(007000–)	Latch, Bolt	1	
7	53461–2	(007000–)	Seal, Rbr, Open, 0.63, 0.63w 24.5l	1	
8	57820	(007000–)	Seal, Bulb, 90, 1.33 .06–.09grip 048.0l	1	
▽	9	1046389	(007000–008088)	Door Assy [800/810 08]	1
▲		9004327	(007000–008088)	Screen Kit, Door, Side, Modif	1
▽	9	9012879	(008089–)	Door Assy [800 B/Green]	1
▲		9004327	(008089–)	Screen Kit, Door, Side, Modif	1
	10	09258	(007000–)	Screw, Pan, Phl, M6 X 1.00 X 40, 4.8	1
	11	44851	(007000–)	Bumper, Rbr, 1.5d 1.50th 0.28h	1
	12	08708	(007000–)	Nut, Hex, Lock, M6 X 1.00, NI	1
	13	06943	(007000–)	Screw, Hex, M6 X 1.00 X 20, 8.8	8
	14	07790	(007000–)	Nut, Hex, Flng, M6 X 1.00	8
	15	34323	(007000–)	Screw, Hex, .25–20 X 0.75, NI	2
	16	32490	(007000–)	Washer, Flat, 0.25, Std	2
	17	32493	(007000–)	Washer, Flat, 0.50, Std	1
	18	39313	(007000–)	Nut, Hex, Std, M12 X 1.75	1
	19	41185	(007000–)	Washer, Flat, Belleville, .25	8
	20	16931	(007000–)	Screw, Hex, M8 X 1.25 X 20, 8.8	2
	21	32491	(007000–)	Washer, Flat, 0.31, Std	2
	22	39311	(007000–)	Nut, Hex, Std, M8 X 1.25	2

Fig. 12 – Hopper Lift Arms Group

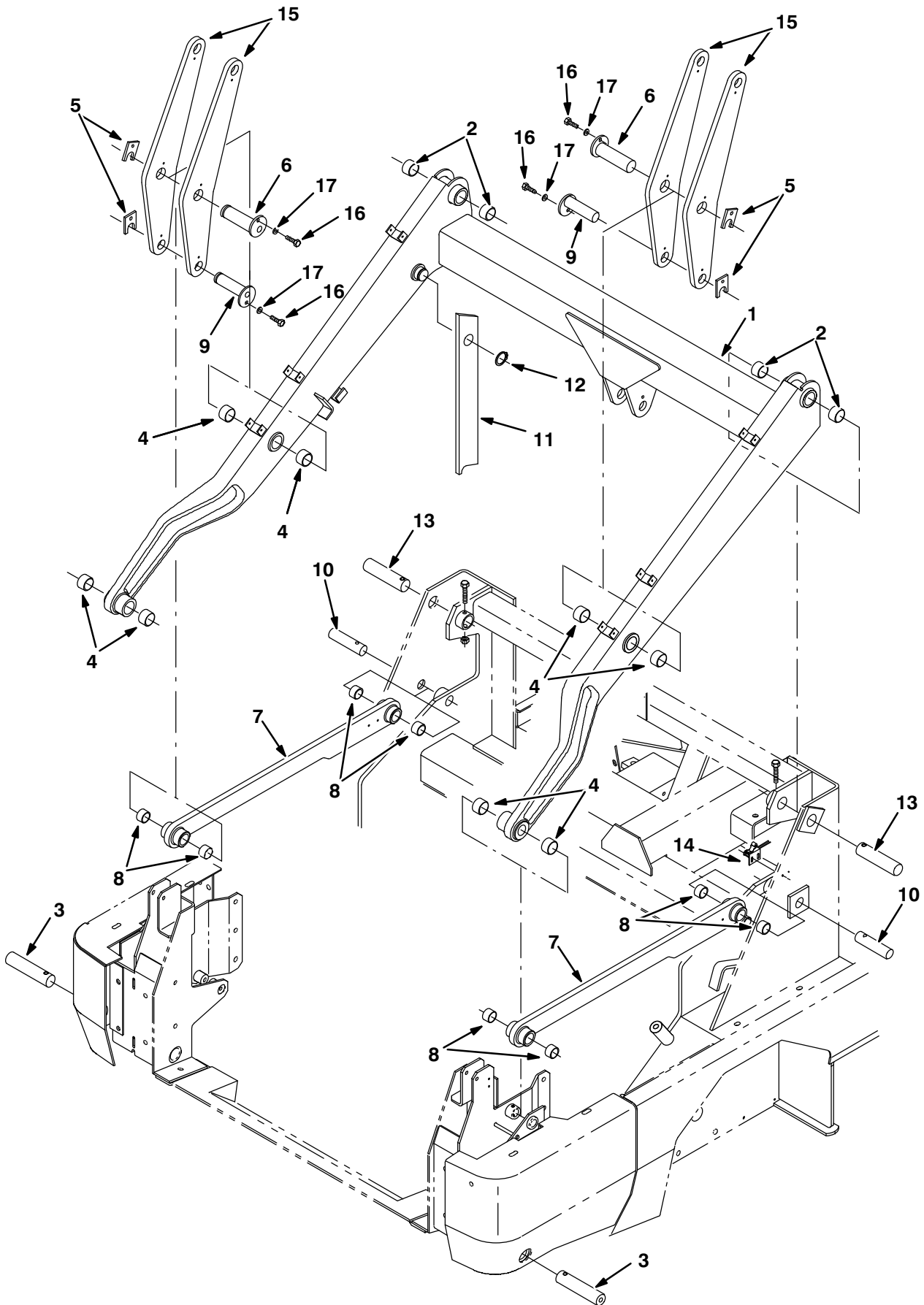


Fig. 12 – Hopper Lift Arms Group

Ref.	Part No.	Serial Number	Description	Qty.
1	75861	(004000–) Arm, Lift, Hppr, W/ Label [800I]	1
2	58293	(004000–) Bushing, Sleeve, 1.51b 1.66d 1.00I, Tef	4
3	77463	(004000–) Pin, 1.50d 07.4I, 1/.44h, Stl	2
4	58293	(004000–) Bushing, Sleeve, 1.51b 1.66d 1.00I, Tef	8
5	83554	(004000–) Plate, Retainer, Pin	4
6	83551	(004000–) Pin Wldt	2
7	1053518	(004000–) Arm, Lift, Hppr, Lower	2
8	57936	(004000–) Bushing, Sleeve, 1.25b 1.41d 1.00I, Tef	2
9	83553	(004000–) Pin Wldt	2
10	76470	(004000–) Pin, 1.25d 05.4I, 1/.44h, Stl	2
11	380681	(004000–) Arm, Safety, Hppr, W/ Label [800]	1
12	63926	(004000–) Ring, Retaining, Ext, 1.50d, Hd	1
13	76471	(004000–) Pin, 1.50d 06.9I, 1/.44h, Stl	2
14	59965	(004000–) Switch, Snap, 15a No, Rlr	1
15	83549	(004000–) Link, Head, Vacuum, Rh, .50 1.50w 23.0I	4
16	10959	(004000–) Screw, Hex, M10 X 1.50 X 20, NI, Ss	4
17	32492	(004000–) Washer, Flat, 0.38, Std	4

Fig. 13 – Hopper Lift Cylinders Group

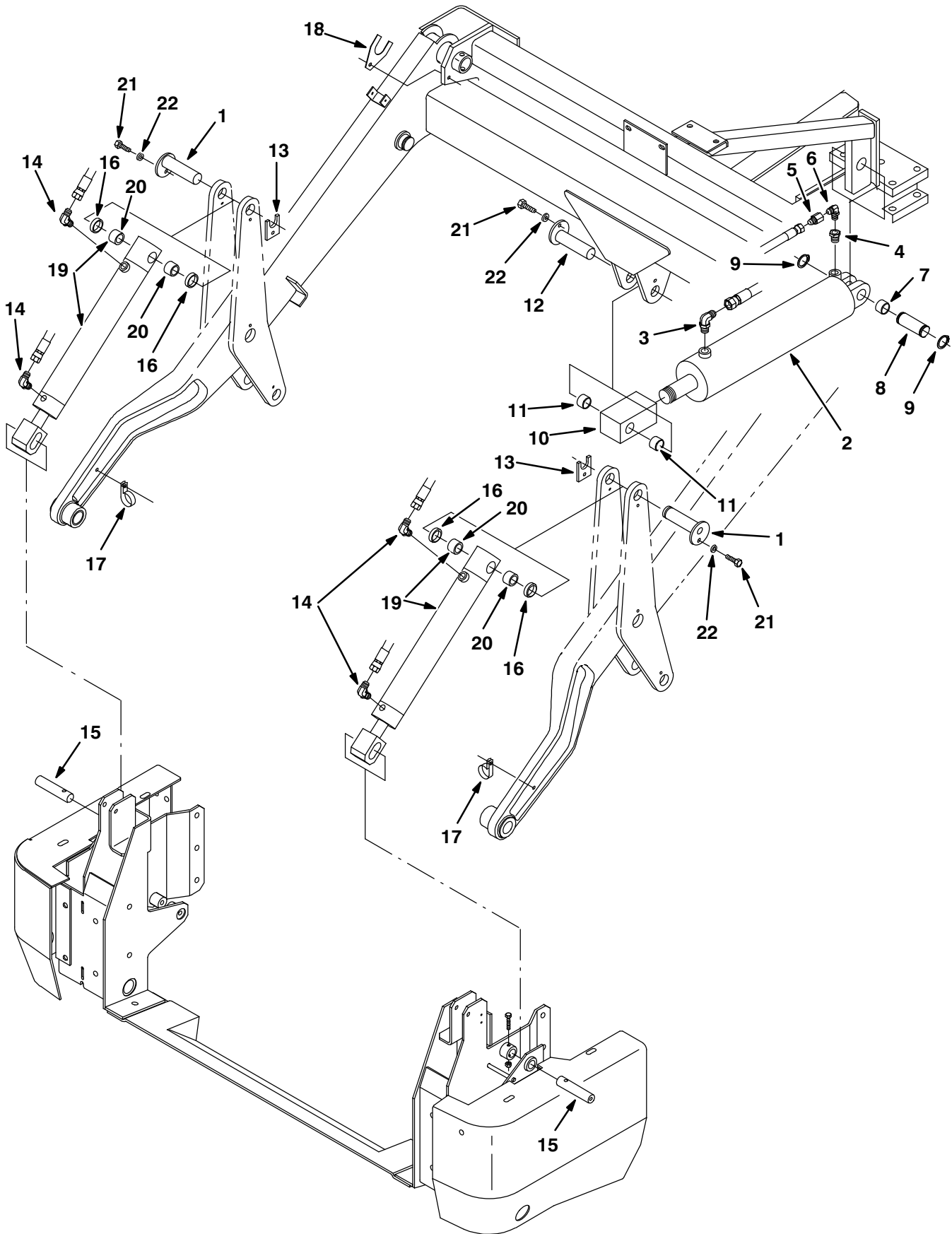


Fig. 13 – Hopper Lift Cylinders Group

Ref.	Part No.	Serial Number	Description	Qty.	
1	83553	(004000–)	Pin Wldt	2	
2	1026719	(004000–)	Cylinder, Hyd, 4.0b 29.1l 14.50strk 2500	1	
3	47512	(004000–)	Fitting, Hyd, E90, Jm06/Om08	1	
4	55686	(004000–)	Fitting, Hyd, Str, Jm04/Om08	1	
5	16456	(004000–)	Fitting, Hyd, Rst, Jf04/Jm04, .063	1	
6	39210	(004000–)	Fitting, Hyd, E90, Jf04/Jm04	1	
7	59866	(004000–)	Bushing, Sleeve, 1.25b 1.40d 1.00l, Fgl	1	
8	63583	(004000–)	Pin, Grvd, 1.25d 03.50l	1	
9	58359	(004000–)	Retainer, Ring	2	
10	64156	(004000–)	Rod–End, 1.31–16 Fem 1.4h	1	
11	57936	(004000–)	Bushing, Sleeve, 1.25b 1.41d 1.00l, Tef	2	
12	83553	(004000–)	Pin Wldt	1	
13	83554	(004000–)	Plate, Retainer, Pin	2	
14	47638	(004000–)	Fitting, Hyd, E90, Jm04/Om06	4	
15	63584	(004000–)	Pin, 1.00d 04.5l, 1/.38h, 1/M8x1.25, Stl	2	
16	83555	(004000–)	Tube, 1.28id 1.50od 00.4l, Stl	4	
17	67767	(004000–)	Clamp, Cable, Stl, 0.69d X 0.62w, 1hole	2	
18	75891	(004000–)	Plate, Spacer	2	
▽	19	1042110	(004000–)	Cylinder, Hyd, 2.0b 23.8l 14.90strk 2500	2
▲	20	57936	(004000–)	Bushing, Sleeve, 1.25b 1.41d 1.00l, Tef	2
21	10959	(004000–)	Screw, Hex, M10 X 1.50 X 20, NI, Ss	3	
22	32492	(004000–)	Washer, Flat, 0.38, Std	3	

Fig. 14 – Hopper Group

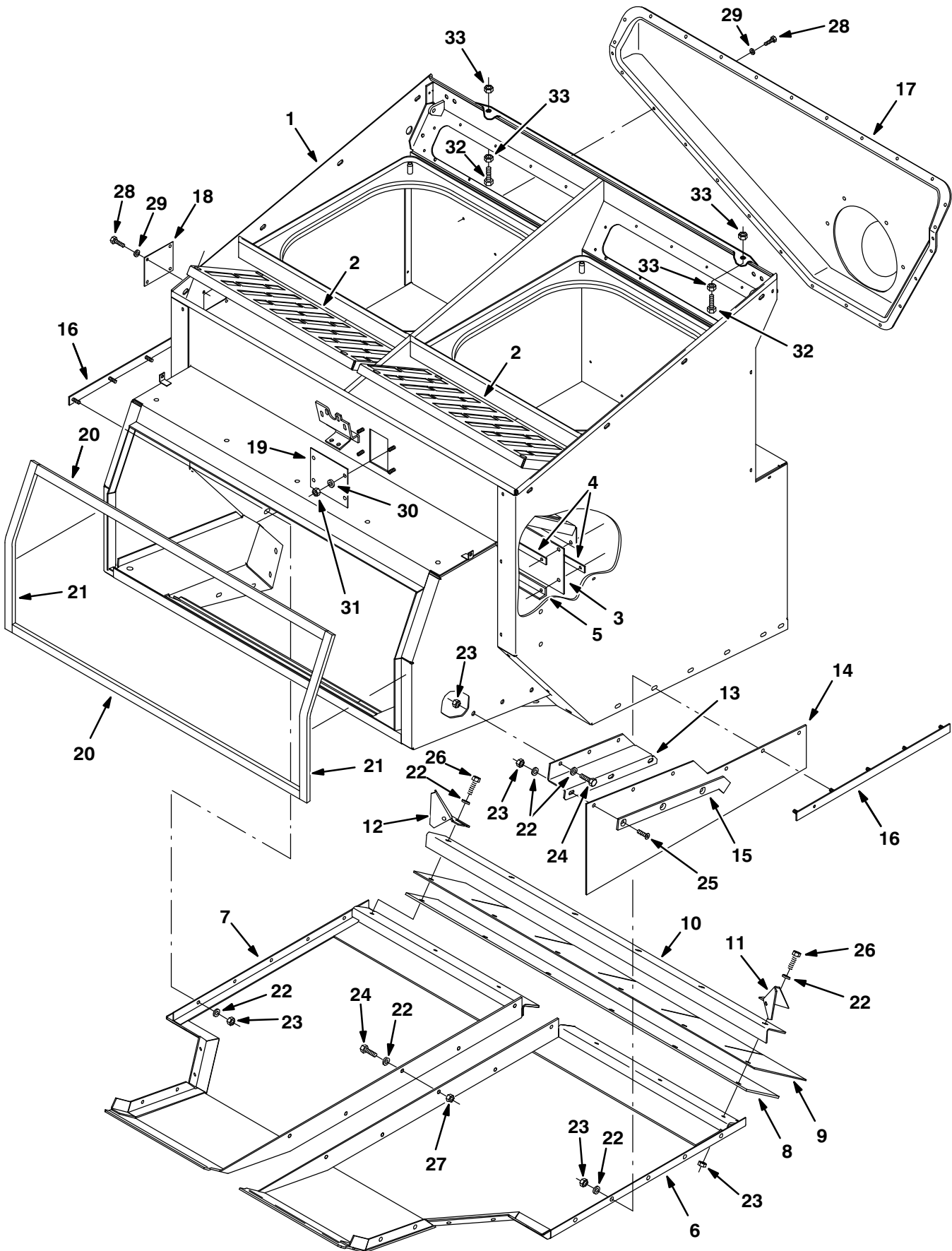


Fig. 14 – Hopper Group

Ref.	Part No.	Serial Number	Description	Qty.
1	1074688	(004000–)	Hopper, Afmkt [800]	1
2	63665	(004000–)	Panel, Perma–Filter, Upper	2
3	63667	(004000–)	Seal, Dust	1
4	63668	(004000–)	Retainer, Seal, Dust, .12 X 0.8w X 48.4l	2
5	63669	(004000–)	Angle, Mtg, .19 1.00 X 1.00 48.4l 6/.30h	1
6	76474	(004000–008088)	Panel, Hppr, Bottom, Lh	1
6	1073940	(008089–)	Panel, Hppr, Bottom, Lh [800 B/Green]	1
7	76384	(004000–008088)	Panel, Hppr, Bottom, Rh	1
7	1073939	(008089–)	Panel, Hppr, Bottom, Rh [800 B/Green]	1
8	73678	(004000–)	Skirt, Neo, .18, 05.62w 48.37l, 06/ Sl	1
9	73679	(004000–)	Skirt, Neo, .12, 08.25w 48.37l, 06/ Sl	1
10	63647	(004000–)	Retainer, Skirt, .12, 3.2w X 48.2l, Blk	1
11	74046	(004000–)	Panel, Deflector, Dirt, Rh	1
12	74045	(004000–)	Panel, Deflector, Dirt, Lh	1
13	73772	(004000–)	Bracket, Mtg, Skirt	1
14	73771	(004000–)	Skirt, Neo, .12, Angle, 31.23l, 06/ Hole	1
15	73749	(004000–)	Retainer, Blade, Deflector, Front	1
16	79139	(004000–)	Retainer, Skirt, .12, 1.0w X 21.7l, White	2
17	70388	(004000–)	Cover, Duct, Inlet, Vacfan	1
18	74069	(004000–)	Cover, Access, Side Hppr	1
19	73887	(004000–)	Cover, Access, Front Hppr	1
20	79597	(004000–)	Seal, Ure, 0.88, 1.00w 43.3l Adh	2
21	79600	(004000–)	Seal, Ure, 0.88, 1.00w 18.1l Adh	2
22	01685	(004000–)	Washer, Flat, 0.38b 0.88d .08, Ss	27
23	08713	(004000–)	Nut, Hex, Lock, M8 X 1.25, Ni, Ss	22
24	09740	(004000–)	Screw, Hex, M8 X 1.25 X 20, Ss	18
25	79506	(004000–)	Screw, Flt, Soc, M8 X 1.25 X 30, Ss	3
26	09011	(004000–)	Screw, Hex, M8 X 1.25 X 30, Ss	6
27	07791	(004000–)	Nut, Hex, Flng, M8 X 1.25	15
28	74455	(004000–)	Screw, Hex, M6 X 1.00 X 12, Fmg	33
29	19066	(004000–)	Washer, Flat, 0.25b 0.56d .05, Pl, 10	33
30	39349	(004000–)	Washer, Flat, 0.31, Sae	4
31	08709	(004000–)	Nut, Hex, Lock, M8 X 1.25, Ni	4
32	06972	(004000–)	Screw, Hex, M12 X 1.75 X 60, 8.8	2
33	39313	(004000–)	Nut, Hex, Std, M12 X 1.75	4

Fig. 15 – Hopper Door Group

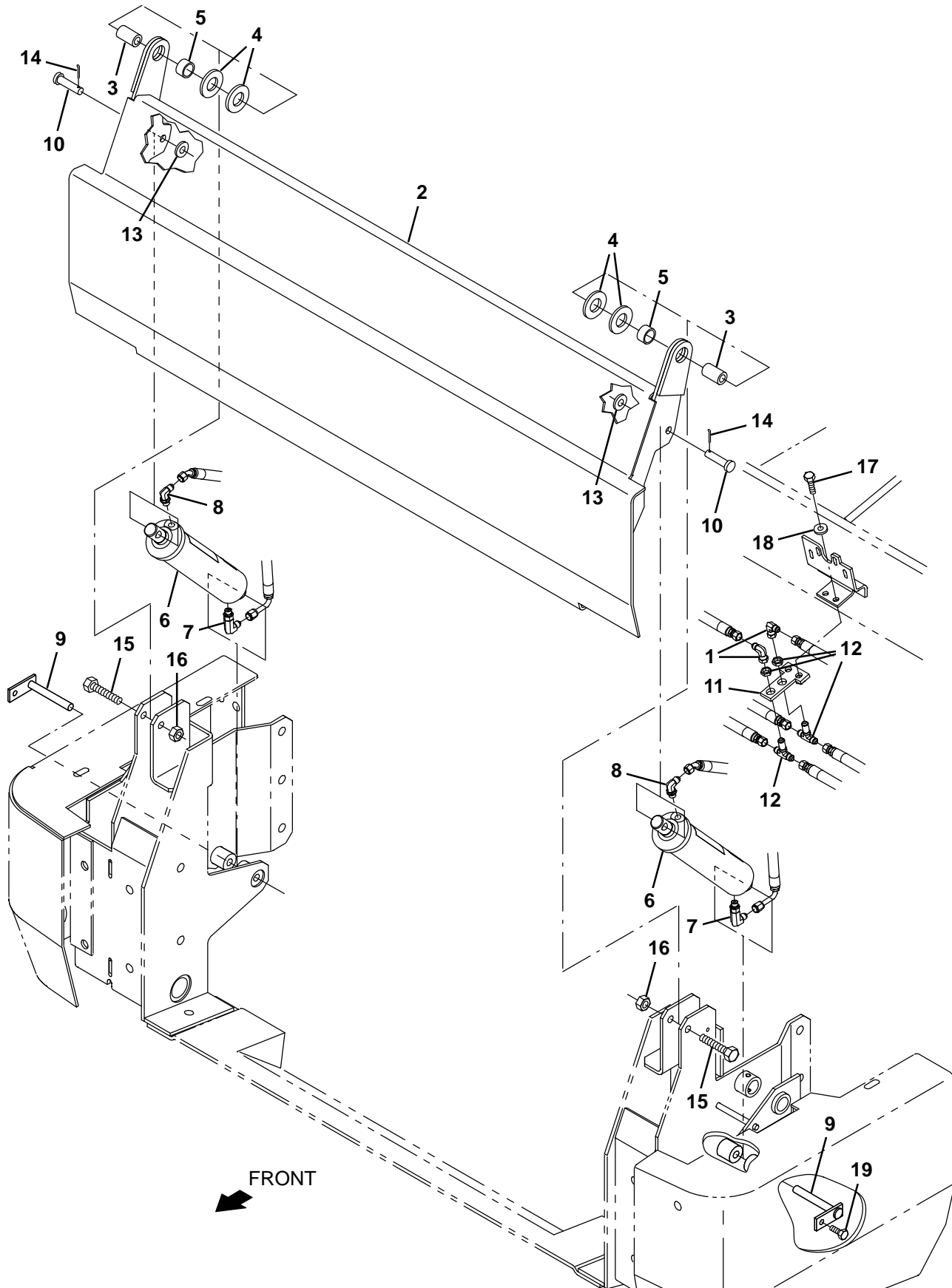


Fig. 15 – Hopper Door Group

Ref.	Part No.	Serial Number	Description	Qty.
1	39210	(004000–)	Fitting, Hyd, E90, Jf04/Jm04	2
2	83618	(004000–008088)	Door Wldt, Dump, Hppr, Front	1
2	1073841	(008089–)	Door Wldt, Dump, Hppr, Front [800 Gray]	1
3	79138	(004000–)	Tube, 0.53id 1.00od 01.4l, Stl [Q]	2
4	79596	(004000–)	Washer	4
5	35688	(004000–)	Bushing, Sleeve, 1.00b 1.25d 0.49l, Fgl	2
6	1041090	(004000–)	Cylinder, Hyd, 2.0b 12.0l 08.00strk 2500	2
7	82825	(004000–)	Fitting, Hyd, E90, Jm04/Om04, Long	2
8	77097	(004000–)	Fitting, Hyd, E90, Jm04/Om04	2
9	64893	(004000–)	Pin Wldt	2
10	21722	(004000–)	Pin, Clevis, 0.50d X 2.25l [1141 Stl]	2
11	75012	(004000–)	Bracket, Mtg, Ftg	1
12	34392	(004000–)	Fitting, Hyd, Tee, Jm04/Jm04/Jm04,Bh Br	2
13	32486	(004000–)	Washer Flat,0.50,Sae	4
14	08182	(004000–)	Pin, Cotter, .125 X 1.00	2
15	06973	(004000–)	Screw, Hex, M12 X 1.75 X 70, 8.8	2
16	08713	(004000–)	Nut, Hex, Lock, M8 X 1.25, NI, Ss	2
17	39277	(004000–)	Screw, Hex, M8 X 1.25 X 25, 8.8	2
18	32491	(004000–)	Washer, Flat, 0.31, Std	2
19	16931	(004000–)	Screw, Hex, M8 X 1.25 X 20, 8.8	2

Fig. 16 – Hopper Cover Group

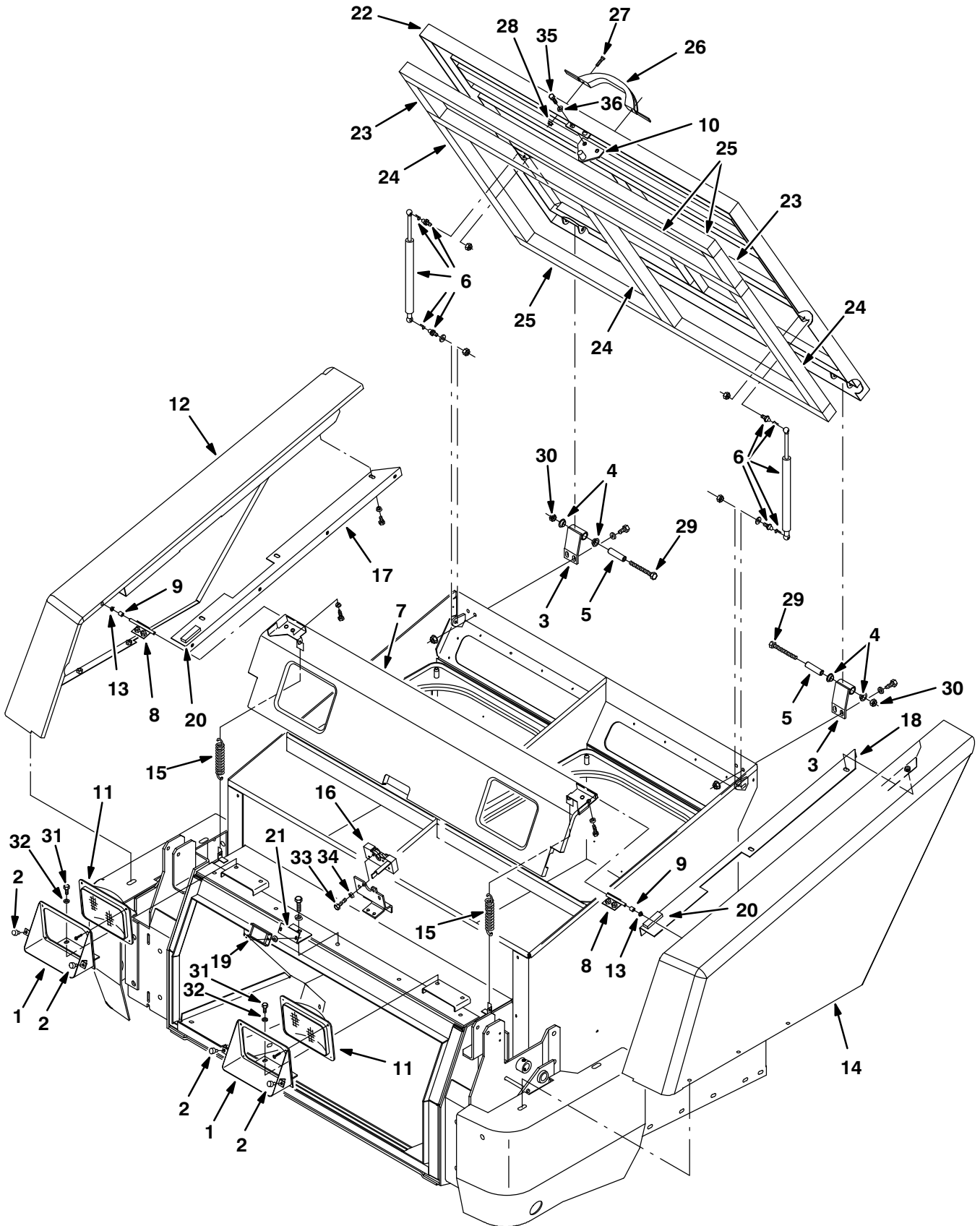


Fig. 16 – Hopper Cover Group

Ref.	Part No.	Serial Number	Description	Qty.	
1	77388	(004000–008088)	Bracket Wldt, Mtg, Headlight	2	
1	1073832	(008089–)	Bracket Wldt, Mtg, Headlight [800 B/Gr]	2	
2	51787	(004000–)	Bumper, Rbr, 0.6d 0.34th 0.3d Tip	4	
3	70762	(004000–008088)	Hinge Wldt	2	
3	1073872	(008089–)	Hinge Wldt [800 Blue/Green]	2	
4	04843	(004000–)	Bushing, FIng, 0.63b 0.72d 0.25l	4	
5	70761	(004000–)	Tube, 0.44id 0.62od 02.4l, Stl	2	
6	69906	(004000–)	Gasspring Assy, Eng Cover	2	
7	77394	(004000–008088)	Panel Wldt, Headlight	1	
7	1073895	(008089–)	Panel Wldt, Headlight [800 B/Green]	1	
8	70730	(004000–)	Hinge Wldt	2	
9	74015	(004000–)	Tube, 0.34id 0.44od 00.5l, Stl	2	
10	70742	(004000–)	Pin Wldt, Latch	1	
11	58524	(004000–)	Headlight, 12vdc, 50watt	2	
12	65278	(004000–008088)	Cover Wldt, Hppr, Rh	1	
12	1073820	(008089–)	Cover Wldt, Hppr, Rh [800 B/Green]	1	
13	11747	(004000–)	Bushing, Snap–In, 0.31b 0.41d 0.14th Nyl	2	
14	65281	(004000–008088)	Cover Wldt, Hppr, Side, Lh	1	
14	1073821	(008089–)	Cover Wldt, Hppr, Lh [800 B/Green]	1	
15	01274	(004000–)	Spring, Extn, 0.96od 0.09wir 04.4l	2	
16	79019	(004000–)	Latch	1	
17	75047	(004000–)	Bracket, Mtg, Side Panl Rh [800l]	1	
18	75046	(004000–)	Bracket, Mtg, Side Panl Lh [800l]	1	
19	63378	(004000–)	Magnet, Drive Brush	1	
20	79591	(004000–)	Bumper, Cover, Hppr	2	
21	77400	(004000–)	Angle, Mtg	1	
▽	22	21221	(004000–008088)	Cover Assy, Hppr	1
▲	23	375564	(004000–008088)	Seal, Rbr, Clsd, 1.50, 2.00w 07.0l	2
▲	24	375565	(004000–008088)	Seal, Rbr, Clsd, 1.50, 2.00w 26.4l	3
▲	25	375566	(004000–008088)	Seal, Rbr, Clsd, 1.50, 2.00w 50.1l	3
▲	26	381962	(004625–008088)	Handle, Container	1
▲	27	382726	(004625–008088)	Screw, Pan, Phl, M6 X 1.00 X 25, 4.8	2
▲	28	08708	(004625–008088)	Nut, Hex, Lock, M6 X 1.00, NI	2
▽	22	1073959	(008089–)	Cover Assy, Hppr [800 B/Green]	1
▲	23	375564	(008089–)	Seal, Rbr, Clsd, 1.50, 2.00w 07.0l	2
▲	24	375565	(008089–)	Seal, Rbr, Clsd, 1.50, 2.00w 26.4l	3
▲	25	375566	(008089–)	Seal, Rbr, Clsd, 1.50, 2.00w 50.1l	3
▲	26	381962	(008089–)	Handle, Container	1
▲	27	382726	(008089–)	Screw, Pan, Phl, M6 X 1.00 X 25, 4.8	2
▲	28	08708	(008089–)	Nut, Hex, Lock, M6 X 1.00, NI	2
29	03193	(004000–)	Screw, Hex, M10 X 1.50 X 90, 8.8	2	
30	41430	(004000–)	Nut, Hex, Lock, M10 X 1.5, NI	2	
31	16931	(004000–)	Screw, Hex, M8 X 1.25 X 20, 8.8	4	
32	32491	(004000–)	Washer, Flat, 0.31, Std	4	
33	12274	(004000–)	Screw, Hex, M6 X 1.00 X 20, 8.8, NI	4	
34	19066	(004000–)	Washer, Flat, 0.25b 0.56d .05, PI, 10	4	
35	16735	(004000–)	Screw, Hex, M8 X 1.25 X 16, 8.8	2	
36	41186	(004000–)	Washer, Flat, Belleville, .31	2	

Fig. 17 – Hopper Bumper Group

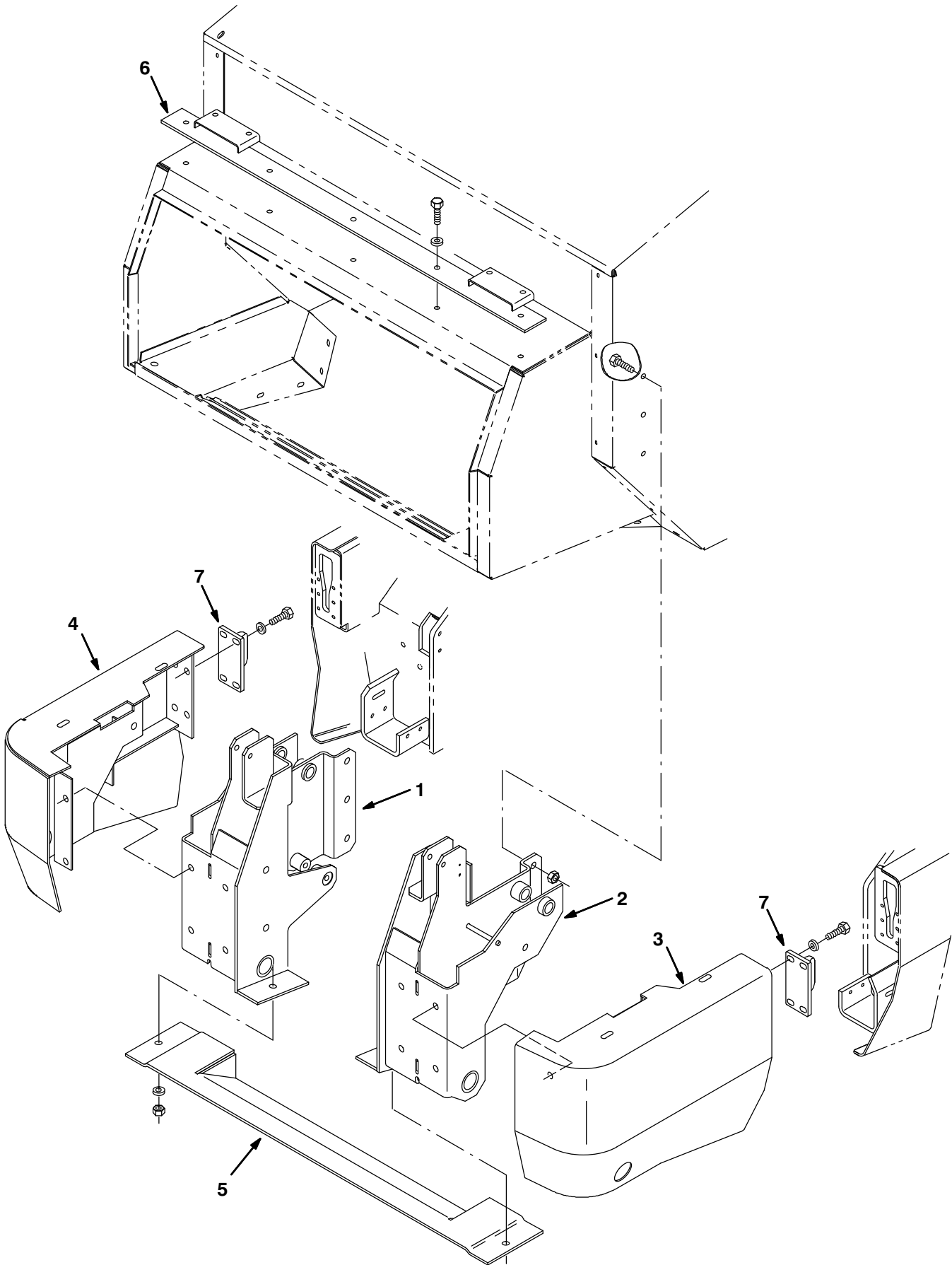


Fig. 17 – Hopper Bumper Group

Ref.	Part No.	Serial Number	Description	Qty.
1	83547	(004000–)	Bumper Wldt, Sppt, Hppr, Rh	1
2	83548	(004000–)	Bumper Wldt, Sppt, Hppr, Lh	1
3	83620	(004000–008088)	Bumper Wldt, Lh	1
3	1073842	(008089–)	Bumper Wldt, Lh [800 Gray]	1
4	83622	(004000–008088)	Bumper Wldt, Rh	1
4	1073843	(008089–)	Bumper Wldt, Rh [800 Gray]	1
5	77523	(004000–)	Guard Wldt, Hppr	1
6	77516	(004000–)	Bracket Wldt, Mtg, Headlight	1
7	63671	(004000–)	Latch, Bmpr	2

Fig. 18 – Hopper Filter Shaker Group

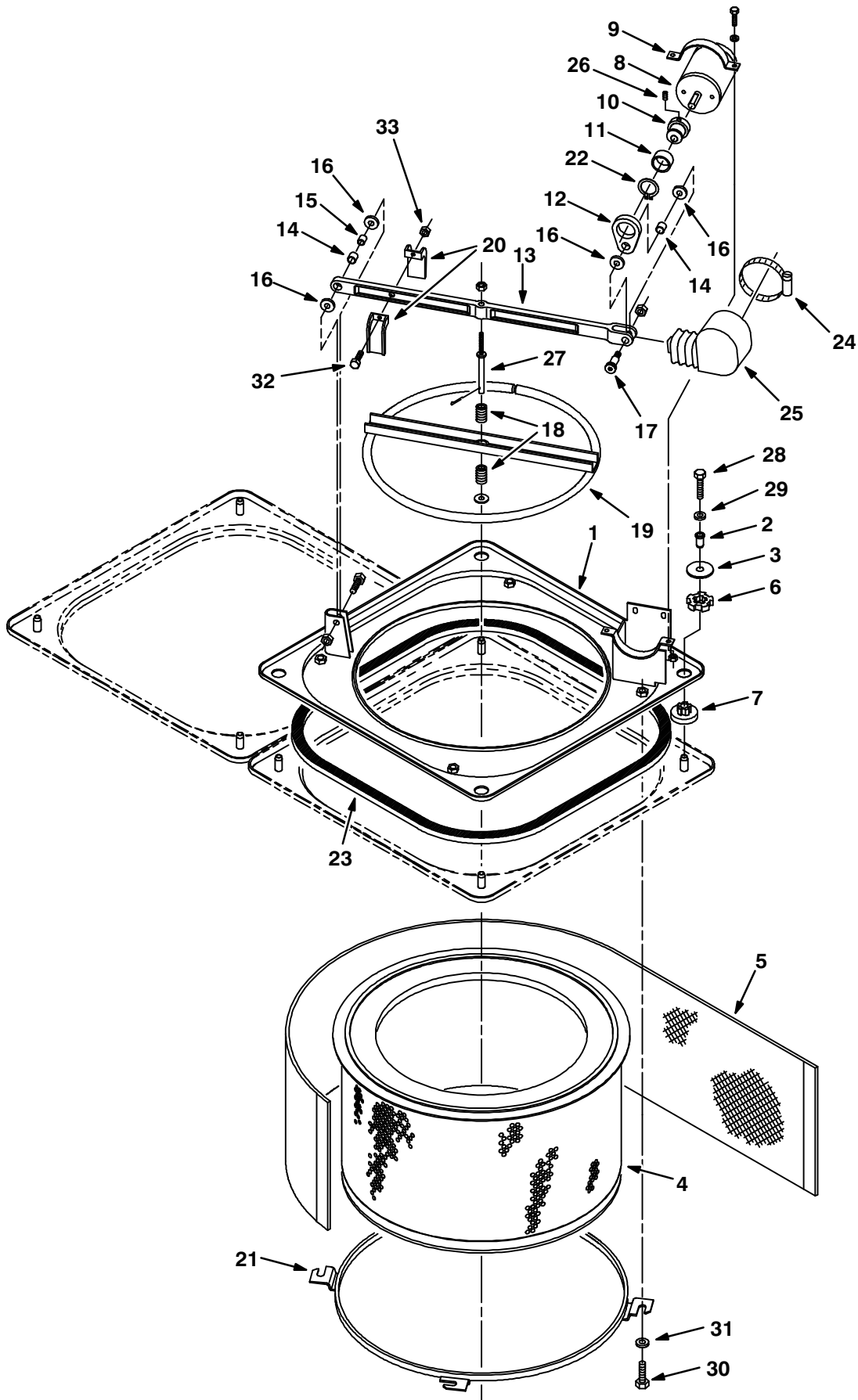


Fig. 18 – Hopper Filter Shaker Group

Ref.	Part No.	Serial Number	Description	Qty.
	1	64580	(004000–) Panel Wldt, Shagr	2
	2	64874	(004000–) Ferrule	8
	3	64873	(004000–) Disc, Stl, 0.06, 02.00d, 0.6h	8
	4	48069	(004000–) Element, Fltr, Air, 20.5d 10.8l	2
▽	4	63297	(004000–) Element, Fltr, Air	2
▲	5	63311	(004000–) Screen, Fltr, 10.0 X	1
	6	64618	(004000–) Isolator, Vib, Ring, 1.9d 0.5l 1.3b	8
	7	64621	(004000–) Isolator, Vib, Bshg, 1.9d 0.9l .6b 1.16h	8
	8	31999	(004000–) Motor, Ele, 14vdc 1600rpm 0.04hp	2
	9	64559	(004000–) Clamp, Cable, Stl, 3.32d X 0.75w, 2hole	2
	10	64567	(004000–) Shaft, Eccentric	2
	11	32006	(004000–) Bearing, Needle, 1.13b 1.38d 0.75w	2
	12	64394	(004000–) Link, Eccentric	2
▽	13	77471	(004000–) Bar Kit, Shagr, F/64374, Replmt	2
▲	14	63233	(004000–) Bushing, Sleeve, 0.50b 0.59d 0.50l, Bnz	2
▲	15	63234	(004000–) Tube, 0.38id 0.50od 00.6l, Ss	1
▲	16	59633	(004000–) Washer, Thrust, 0.53b 1.00d 0.03w[Fbrg]	4
▲	17	58357	(004000–) Bolt, Shld, .50d X 1.00, .38–16	2
	18	64392	(004000–) Spring, Dsl, 0.75od 0.38id 1.50l	4
	19	64501	(004000–) Ring Wldt, Shagr	2
	20	64410	(004000–) Guide, Fltr, Shagr, [800]	4
	21	64500	(004000–) Ring Wldt, Mtg, Fltr	2
	22	70651	(004000–) Ring, Retaining, Ext, 1.12d	2
	23	21303	(004000–) Seal Kit, Bulb, Shagr Panl [800]	2
	24	43555	(004000–) Clamp, Hose, Wormdrive, 2.62–3.50d	2
	25	73734	(004000–) Boot, Bar, Shagr, Fltr [800]	2
	26	70650	(004000–) Screw, Set, Soc, M8 X 1.25 X 12, Pl[45h]	2
	27	32009	(004000–) Bar, Shagr Stem	2
	28	39284	(004000–) Screw, Hex, M10 X 1.50 X 35, 8.8	8
	29	32492	(004000–) Washer, Flat, 0.38, Std	8
	30	09028	(004000–) Screw, Hex, M10 X 1.50 X 25, Ss	8
	31	01686	(004000–) Washer, Flat, 0.44b 1.00d .08, Ss	8
	32	09164	(004000–) Screw, Pan, Phl, M6 X 1.00 X 20, 4.8	2
	33	08708	(004000–) Nut, Hex, Lock, M6 X 1.00, NI	2

Fig. 19 – Hopper Pressure Switch Group

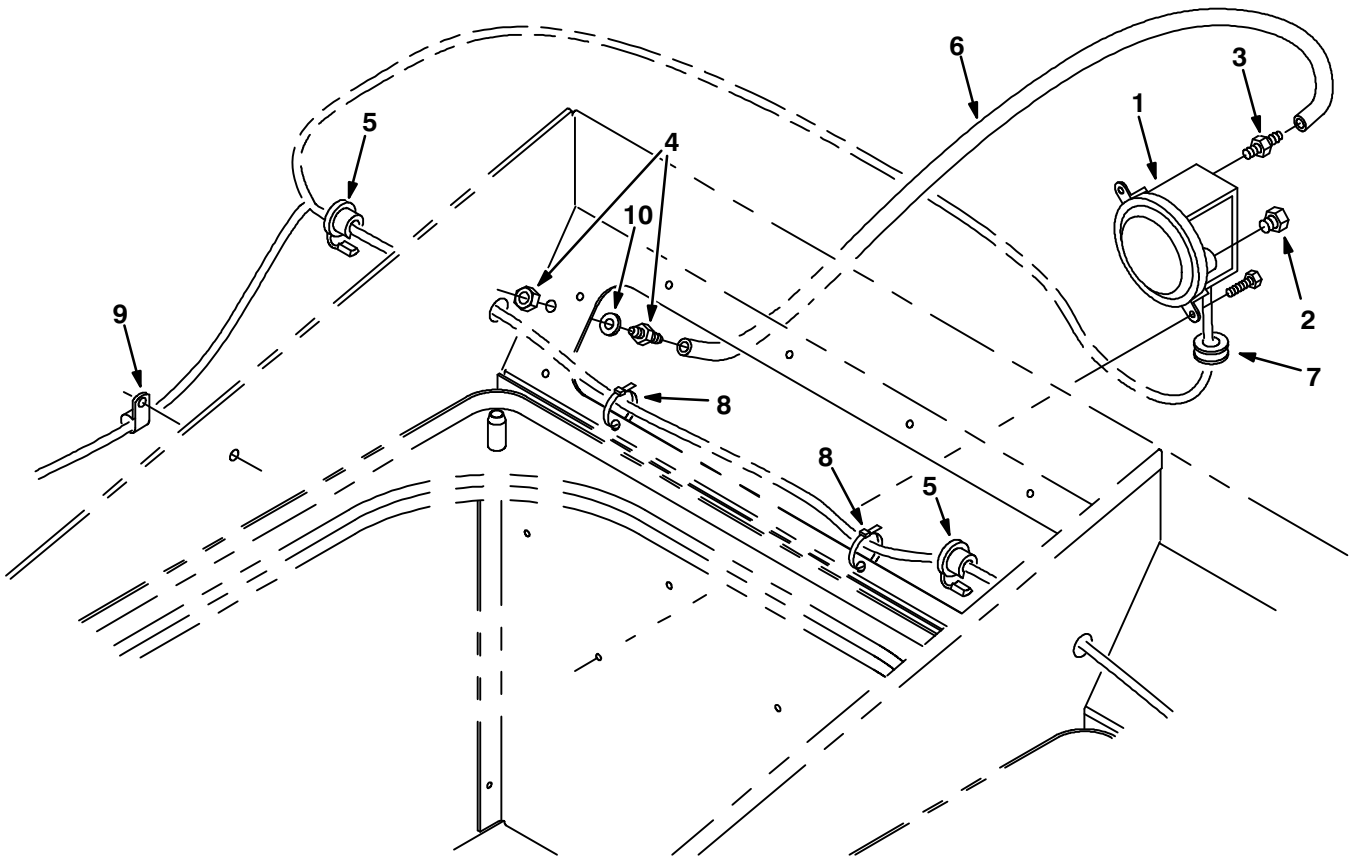


Fig. 19 – Hopper Pressure Switch Group

Ref.	Part No.	Serial Number	Description	Qty.
1	75465	(004000–) Switch, Press, 0020psi Spdt	1
2	82739	(004000–) Fitting, Brs, Breather [02mp]	1
3	40607	(004000–) Fitting, Brs, Str, Bm03/Pm02	1
4	39923	(004000–) Fitting, Brs, Str, Bm03/Bm03, Bh	1
5	34864	(004000–) Strainrelief	2
6	73727	(004000–) Hose, Vacuum, 0.16id X 009.5l	1
7	10632–4	(004000–) Grommet, Rbr, 0.62id, F/0.9h, .06 Matl	1
8	49266	(004000–) Tie, Cable, Nyl, 07.3l .19w 1.8 Max D	8
9	40678	(004000–) Clamp, Cable, Stl, 0.44d X 0.62w, 1hole	2
10	43454	(004000–) Washer, Flat, 0.34b 0.69d .06, Nyl	1

Fig. 20 – Engine and Alternator Group (004000–004936)

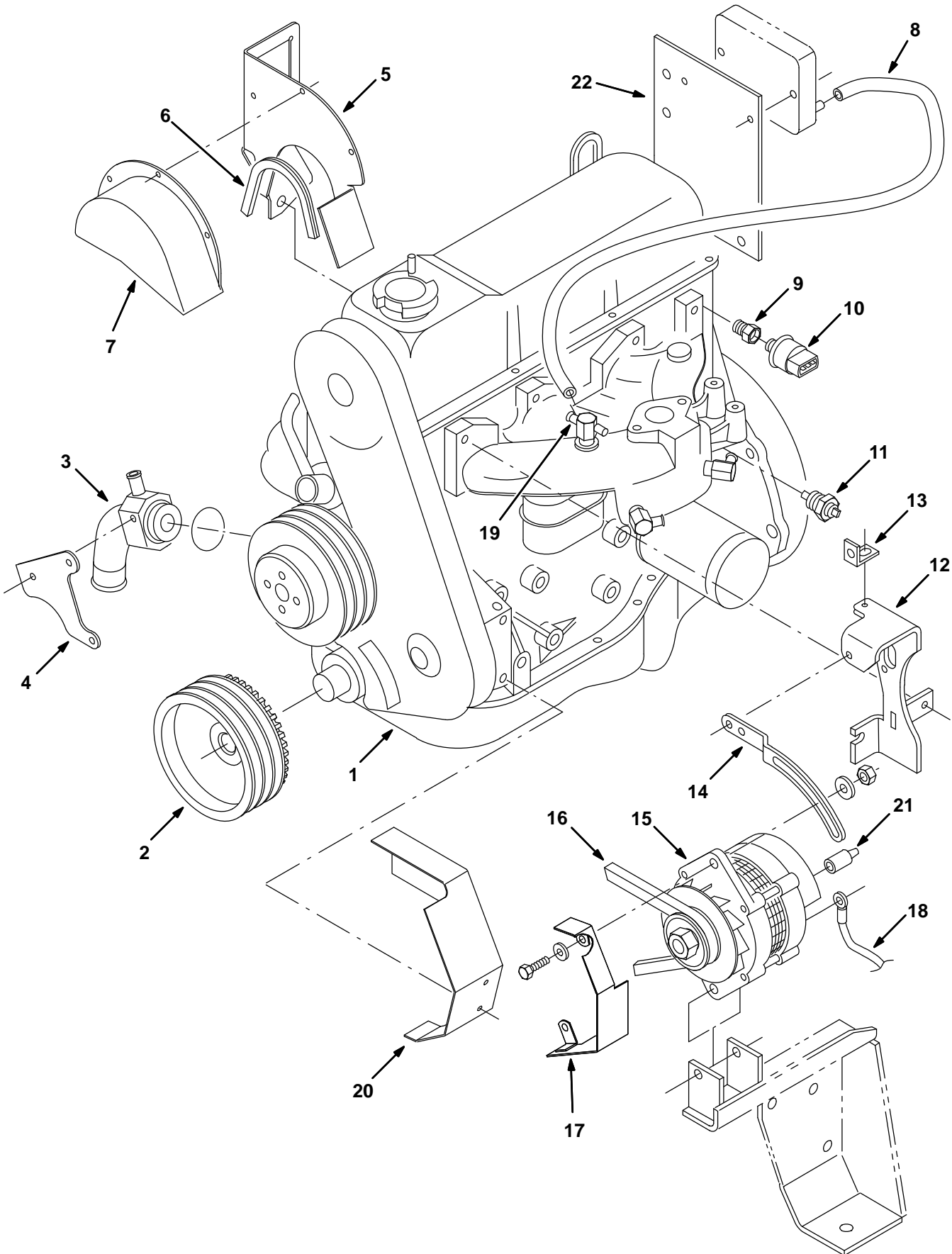


Fig. 20 – Engine and Alternator Group (004000–004936)

Ref.	Part No.	Serial Number	Description	Qty.	
1	83652	(004000–004215)	Engine Purch Kit, Lrg423 (See 2.3L Engine Brkdn)	1	
1	1044235	(004216–004936)	Engine [Ford, 2.5l Reman] (See 2.5L Engine Brkdn)	1	
2	83664	(004000–004936)	Sheave Assy, 02grv, 6.2pd [Hc38]	1	
3	83729	(004000–004936)	Adapter, Pump, Water, Mach	1	
4	83731	(004000–004936)	Panel, Mtg, Adapter, Water Pump [Ford]	1	
5	385417	(004000–004936)	Bracket Wldt, Mtg, Ignition Coil [Ford]	1	
6	59375	(004000–004936)	Molding, Trim, Extrusion, .062, 10.10l	1	
7	21294	(004000–004936)	Cover, Belt, Timing [Lsg423fd]	1	
8	19774	(004000–004936)	Hose, Vacuum, 0.16id X 015.6l	1	
9	17414	(004000–004936)	Fitting, Hyd, Str, Pf02/Pm04	1	
10	1055106	(004000–004936)	Switch, Press, 0006psi Dpdt	1	
11	36165	(004000–004936)	Send–Unit, Water, Temp, 06npt [Datcon]	1	
12	83750	(004000–004936)	Bracket Wldt, Mtg, Alternator	1	
13	31038	(004000–004936)	Angle, Mtg, Stl, .12 1.2 1.0 00.8l	1	
14	31526	(004000–004936)	Arm, Adj, Alternator, 5.0r [Curved]	1	
▽	15	60559	(004000–004936)	Alternator, 12vdc 050a Sealed Brush	1
▲		61931	(004000–004936)	Regulator, Alternator, 12vdc	1
▲		86041	(004000–004936)	Bearing, Ball, 0.67b 1.57d 0.47w	1
▲		61529	(004000–004936)	Kit, Brush, Alternator	1
▲		61531	(004000–004936)	Rectifier, Alternator	1
▲		70160	(004000–004936)	Pulley, Alternator	1
	16	83692	(004000–004936)	Belt, V, 46.4l, Cogged [Hc38]	1
	17	74076	(004000–004936)	Guard Wldt, Alternator, F/60559	1
	18	82731	(004000–004936)	Wire, 10ga 09.0l Blk .19ring /.41ring	1
	19	630094	(004000–004936)	Cap, Vinyl, 2.26 Id X 12.7lg, Blk	1
	20	83853	(004000–004936)	Cover Wldt, Pump, Oil [Lrg423]	1
	21	61363	(004000–004936)	Boot, Str, 0.12id 0.43id 0.25l, Blk	2
	22	83747	(004000–004936)	Bracket, Mtg, Ignition Module	1

Fig. 21 – Engine Mount Group (004000–004936)

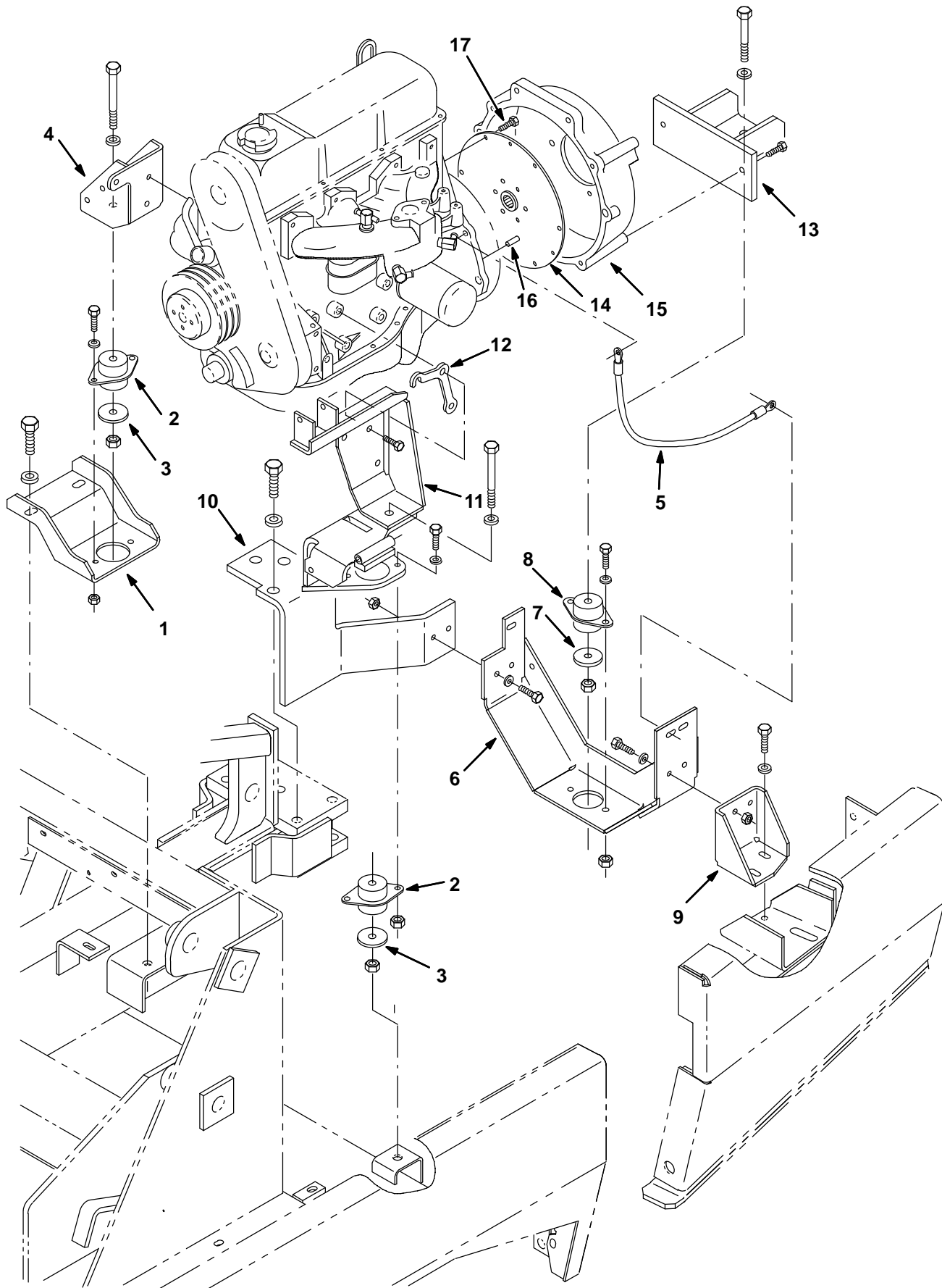


Fig. 21 – Engine Mount Group (004000–004936)

Ref.	Part No.	Serial Number	Description	Qty.
1	83674	(004000–004936)	Bracket Wldt, Mtg, Eng, Front, Rh	1
2	63695	(004000–004936)	Isolator, Vib, Fling, 1.3h .5b 2/.39h	2
3	04414	(004000–004936)	Washer, Flat, 0.53b 1.88d .12, Stl, Pl	2
4	385426	(004000–004936)	Bracket, Mtg, Eng, Front, Rh [Ford]	1
5	57773	(004000–004936)	Cable, 06ga 13.0l Blk	1
6	77430	(004000–004936)	Bracket Wldt, Mtg, Eng, Rear	1
7	57048	(004000–004936)	Washer, Flat, 0.53b 2.13d .11, Stl, Pl	1
8	63263	(004000–004936)	Isolator, Vib, Fling, 1.3h .5b 2/.39h	1
9	77434	(004000–004936)	Bracket, Mtg, Eng, Rear, Lh	1
10	77435	(004000–004936)	Bracket, Mtg, Eng, Rear, Rh, Dsl	1
11	380598	(004000–004936)	Bracket Wldt, Mtg, Eng	1
12	83673	(004000–004936)	Panel, Spacer, Eng Mtg, Fr Rep.Bynone	1
13	63535	(004000–004215)	Bracket Wldt, Mtg, Eng, Rear [2.3ford]	1
13	385412	(004216–004936)	Channel Wldt, Mtg, Eng, Rear	1
14	35980	(004000–004936)	Coupling, Drive, Flex, 10.3d /15tooth	1
15	83689	(004000–004215)	Housing, Flywheel, Mach [Lrg 2.3, Ford]	1
15	385433	(004216–004936)	Housing, Flywheel, Mach [Lrg 2.5, Ford]	1
16	14296	(004216–004936)	Pin, Roll, .312d X 0.75l, .312/.318	3
17	375193	(004000–004936)	Screw, Hex, M8 X 1.00 X 16, 10.9	6

Fig. 22 – Engine Group (004937–005999)

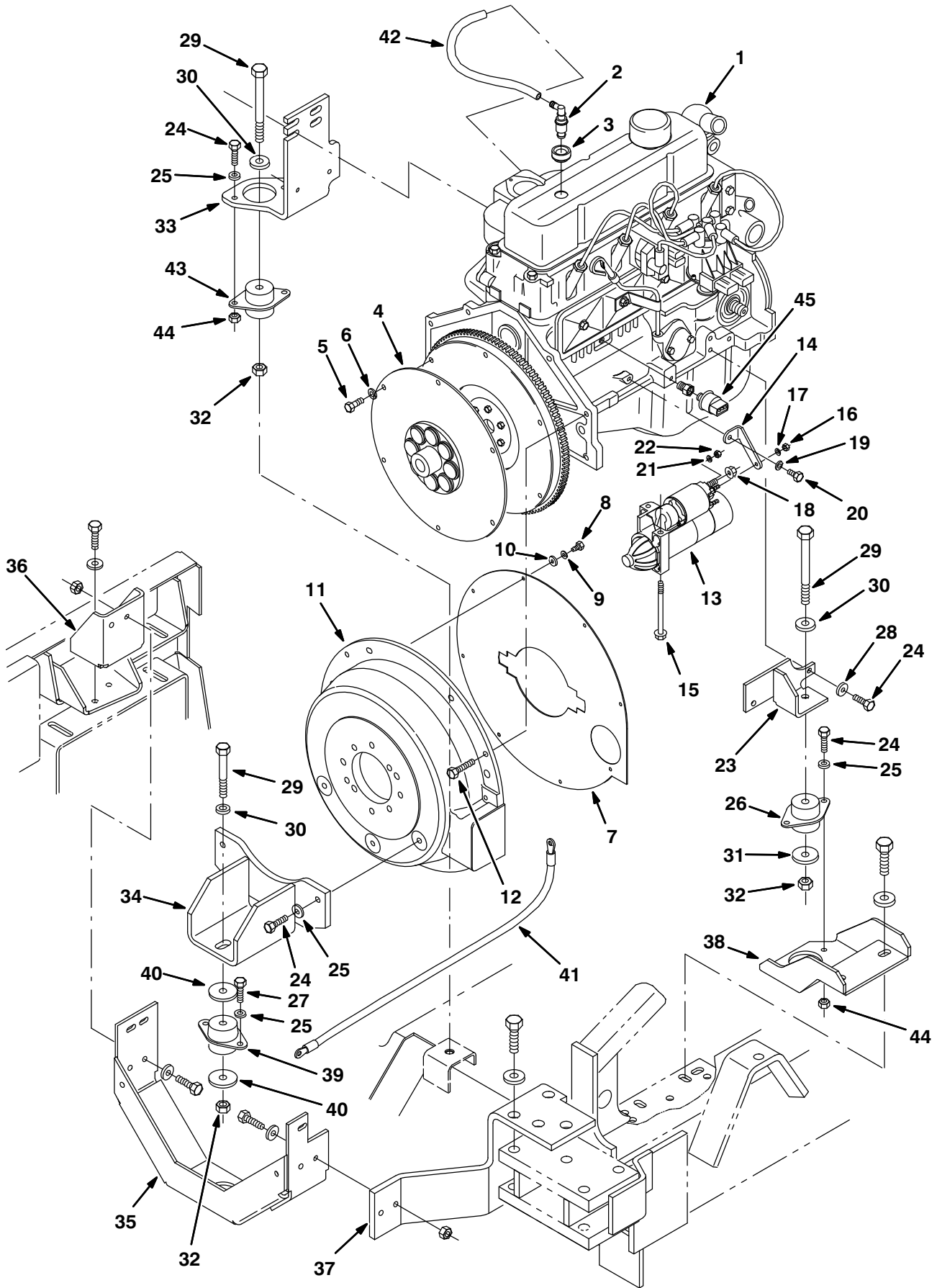


Fig. 22 – Engine Group (004937–005999)

Ref.	Part No.	Serial Number	Description	Qty.
1	392561	(004937–005999)	Engine, Gm, 3.0 Liter, Gas (See GM Engine Breakdown)	1
1	392563	(004937–005999)	Engine, Gm, 3.0 Liter, Lpg (See GM Engine Breakdown)	1
2	393975	(004937–005999)	Valve [Pcv]	1
3	393984	(004937–005999)	Grommet	1
4	371507	(004937–005999)	Plate, Drive	1
5	371508	(004937–005999)	Bolt, Clutch	6
6	371509	(004937–005999)	Washer, Lock, 0.38	11
7	371761	(004937–005999)	Shield, Dust	1
8	19315	(004937–005999)	Screw, Hex, .25–20 X 0.50, G5	8
9	371512	(004937–005999)	Washer, Lock, 0.25	8
10	32483	(004937–005999)	Washer, Flat, 0.25, Sae	8
11	371762	(004937–005999)	Housing	1
12	55347	(004937–005999)	Screw, Hex, .38–16 X 2.00, FI	5
13	371516	(004937–005999)	Starter, 12vdc [Gm]	1
14	371517	(004937–005999)	Bracket, Starter	1
15	371518	(004937–005999)	Bolt, Starter	1
16	50335	(004937–005999)	Nut, Hex, Std, M5 X 0.80, 8	2
17	371519	(004937–005999)	Washer, Lock, M5	1
18	07791	(004937–005999)	Nut, Hex, Flng, M8 X 1.25	1
19	393994	(004937–005999)	Washer, Lock, 0.31	1
20	54396	(004937–005999)	Screw, Hex, .31–18 X 0.75, G5	1
21	371520	(004937–005999)	Washer, Lock, #10	1
22	19311	(004937–005999)	Nut, Hex, Std, #10–24	1
23	392622	(004937–005999)	Bracket, Mtg, Eng, Rh	1
24	21197	(004937–005999)	Screw, Hex, .38–16 X 1.00, G5	8
25	32492	(004937–005999)	Washer, Flat, 0.38, Std	8
26	63695	(004937–005999)	Isolator, Vib, Flng, 1.3h .5b 2/.39h	1
27	21198	(004937–005999)	Screw, Hex, .38–16 X 1.25, G5	4
28	32425	(004937–005999)	Adapter, Air–Intk, Gas/Lpg	2
29	06972	(004937–005999)	Screw, Hex, M12 X 1.75 X 60, 8.8	4
30	32493	(004937–005999)	Washer, Flat, 0.50, Std	4
31	04414	(004937–005999)	Washer, Flat, 0.53b 1.88d .12, Stl, Pl	3
32	08711	(004937–005999)	Nut, Hex, Lock, M12 X 1.75, NI	4
33	392642	(004937–005999)	Bracket, Mtg, Eng, Lh	1
34	1014411	(004937–005999)	Channel Wldt, Mtg, Eng, Rear	1
35	77430	(004937–005999)	Bracket Wldt, Mtg, Eng, Rear	1
36	77434	(004937–005999)	Bracket, Mtg, Eng, Rear, Lh	1
37	77435	(004937–005999)	Bracket, Mtg, Eng, Rear, Rh, Dsl	1
38	83674	(004937–005999)	Bracket Wldt, Mtg, Eng, Front, Rh	1
39	63263	(004937–005999)	Isolator, Vib, Flng, 1.3h .5b 2/.39h	1
40	57048	(004937–005999)	Washer, Flat, 0.53b 2.13d .11, Stl, Pl	2
41	57773	(004937–005999)	Cable, 06ga 13.0l Blk	1
42	393973	(004937–005999)	Hose, Pvc, 18.0l	1
43	75768	(004937–005999)	Isolator, Vib, Flng, 2.0h .5b 2/.41h	1
44	50902	(004937–005999)	Nut, Hex, Lock, .38–16, NI	4
45	371572	(004937–005999)	Send–Unit, Press, Oil	1

Fig. 23 – Engine Group (006000–006999)

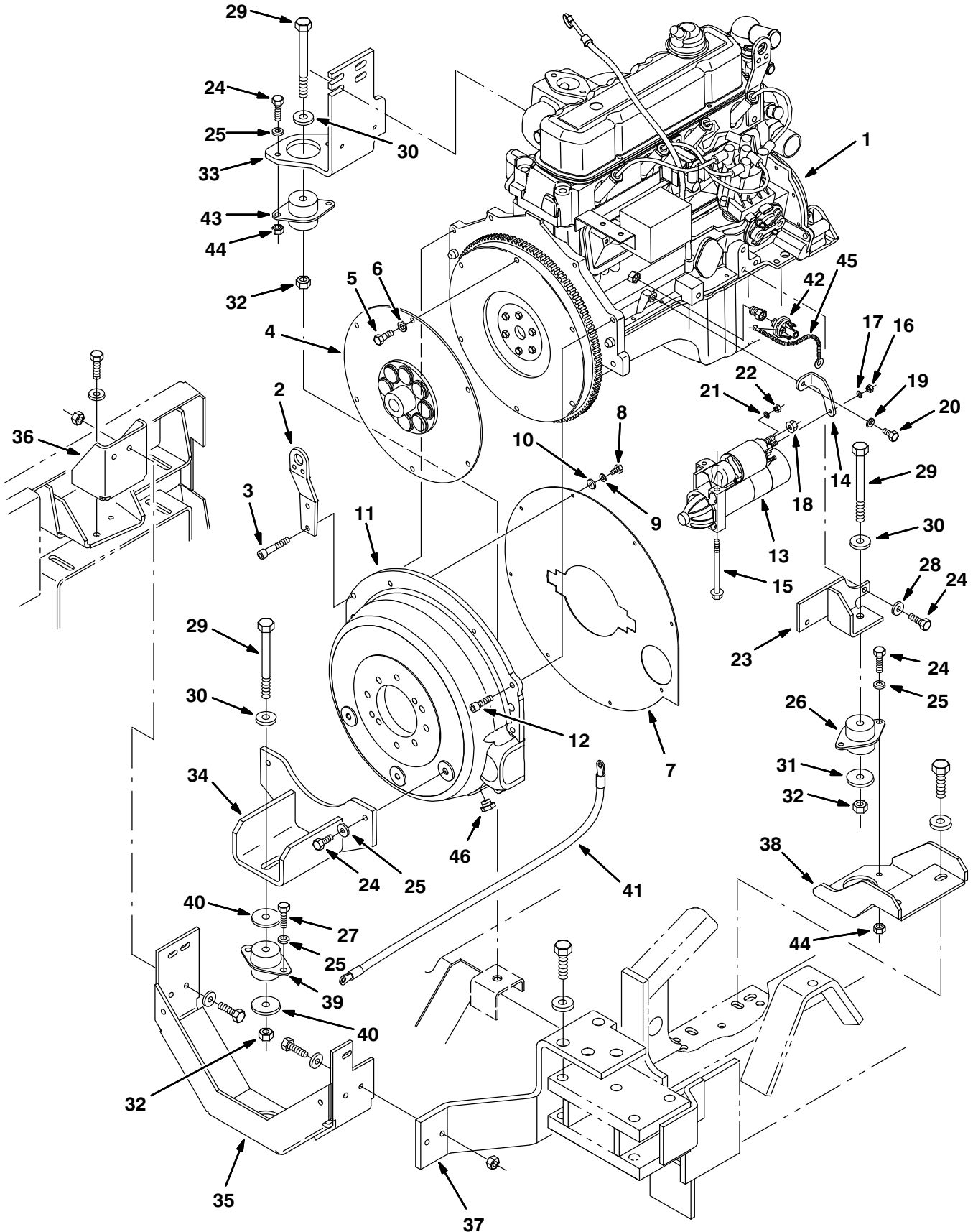


Fig. 23 – Engine Group (006000–006999)

Ref.	Part No.	Serial Number	Description	Qty.
1	385019	(006000–006999)	Engine, Block, Long [Gm3.0] (See GM Engine Break-down)	1
2	372457	(006000–006999)	Bolt, Eye, Lift	1
3	372479	(006000–006999)	Screw, Soc, .38–16 X 2.25, G5	1
4	372456	(006000–006999)	Plate, Drive	1
5	371508	(006000–006999)	Bolt, Clutch	6
6	371509	(006000–006999)	Washer, Lock, 0.38	11
7	371761	(006000–006999)	Shield, Dust	1
8	19315	(006000–006999)	Screw, Hex, .25–20 X 0.50, G5	8
9	371512	(006000–006999)	Washer, Lock, 0.25	8
10	32483	(006000–006999)	Washer, Flat, 0.25, Sae	8
11	372458	(006000–006999)	Housing, Flywheel [3.0]	1
12	10831	(006000–006999)	Screw, Soc, .38–16 X 1.25, Al	5
13	371516	(006000–006999)	Starter, 12vdc [Gm]	1
14	372473	(006000–006999)	Bracket, Starter	1
15	371518	(006000–006999)	Bolt, Starter	1
16	50335	(006000–006999)	Nut, Hex, Std, M5 X 0.80, 8	2
17	371519	(006000–006999)	Washer, Lock, M5	1
18	07791	(006000–006999)	Nut, Hex, Flng, M8 X 1.25	1
19	393994	(006000–006999)	Washer, Lock, 0.31	1
20	54396	(006000–006999)	Screw, Hex, .31–18 X 0.75, G5	1
21	371520	(006000–006999)	Washer, Lock, #10	1
22	19311	(006000–006999)	Nut, Hex, Std, #10–24	1
23	392622	(006000–006999)	Bracket, Mtg, Eng, Rh	1
24	21197	(006000–006999)	Screw, Hex, .38–16 X 1.00, G5	8
25	32492	(006000–006999)	Washer, Flat, 0.38, Std	8
26	63695	(006000–006999)	Isolator, Vib, Flng, 1.3h .5b 2/.39h	1
27	21198	(006000–006999)	Screw, Hex, .38–16 X 1.25, G5	4
28	32425	(006000–006999)	Adapter, Air–Intk, Gas/Lpg	2
29	06972	(006000–006999)	Screw, Hex, M12 X 1.75 X 60, 8.8	4
30	32493	(006000–006999)	Washer, Flat, 0.50, Std	4
31	04414	(006000–006999)	Washer, Flat, 0.53b 1.88d .12, Stl, Pl	3
32	08711	(006000–006999)	Nut, Hex, Lock, M12 X 1.75, NI	4
33	392642	(006000–006999)	Bracket, Mtg, Eng, Lh	1
34	1014411	(006000–006999)	Channel Wldt, Mtg, Eng, Rear	1
35	77430	(006000–006999)	Bracket Wldt, Mtg, Eng, Rear	1
36	77434	(006000–006999)	Bracket, Mtg, Eng, Rear, Lh	1
37	77435	(006000–006999)	Bracket, Mtg, Eng, Rear, Rh, Dsl	1
38	83674	(006000–006999)	Bracket Wldt, Mtg, Eng, Front, Rh	1
39	63263	(006000–006999)	Isolator, Vib, Flng, 1.3h .5b 2/.39h	1
40	57048	(006000–006999)	Washer, Flat, 0.53b 2.13d .11, Stl, Pl	2
41	57773	(006000–006999)	Cable, 06ga 13.0l Blk	1
42	372445	(006000–006999)	Switch, Press, 7psi, Spdt	1
43	75768	(006000–006999)	Isolator, Vib, Flng, 2.0h .5b 2/.41h	1
44	50902	(006000–006999)	Nut, Hex, Lock, .38–16, NI	4
45	372474	(006000–006999)	Harness, Switch, Oil Press, Ground Wire	1
46	1018573	(006000–006999)	Screw, Hex, .62–18 X 0.31	1

Fig. 24 – Engine Group (007000–)

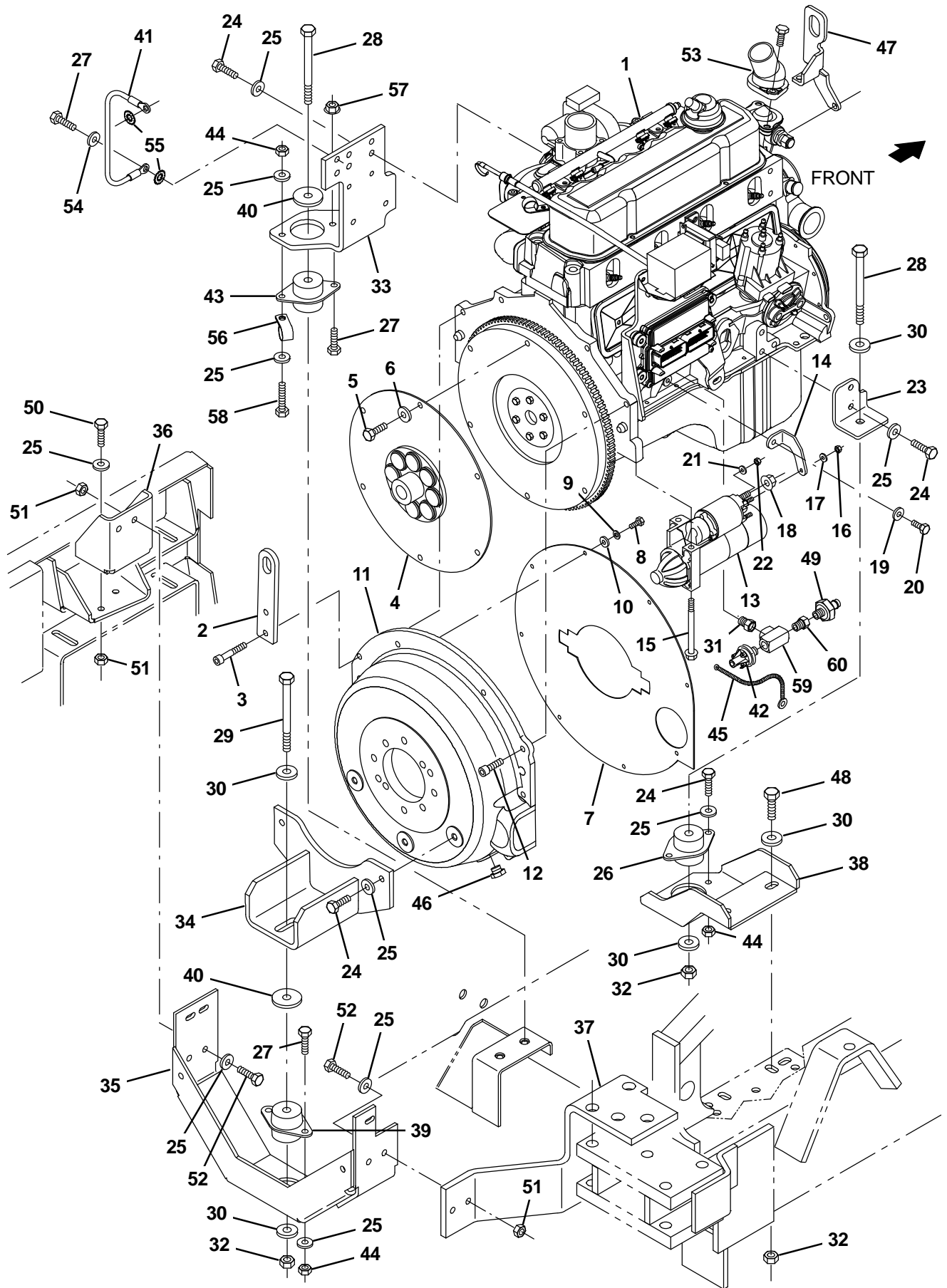


Fig. 24 – Engine Group (007000–)

Ref.	Part No.	Serial Number	Description	Qty.
1	385019	(007000–)	Engine, Block, Long [Gm3.0l] (See GM Engine Break-down)	1
2	1034105	(007000–)	Hook, Lift [Gm3.0l 2007]	1
3	372479	(007000–)	Screw, Soc, .38–16 X 2.25, G5	1
4	372456	(007000–)	Plate, Drive	1
5	371508	(007000–)	Bolt, Clutch	6
6	371509	(007000–)	Washer, Lock, 0.38	11
7	371761	(007000–)	Shield, Dust	1
8	19315	(007000–)	Screw, Hex, .25–20 X 0.50, G5	8
9	371512	(007000–)	Washer, Lock, 0.25	8
10	32483	(007000–)	Washer, Flat, 0.25, Sae	8
11	372458	(007000–)	Housing, Flywheel [3.0l]	1
12	10831	(007000–)	Screw, Soc, .38–16 X 1.25, Al	5
13	371516	(007000–)	Starter, 12vdc [Gm]	1
14	372473	(007000–)	Bracket, Starter	1
15	371518	(007000–)	Bolt, Starter	1
16	50335	(007000–)	Nut, Hex, Std, M5 X 0.80, 8	2
17	371519	(007000–)	Washer, Lock, M5	1
18	07791	(007000–)	Nut, Hex, Flng, M8 X 1.25	1
19	393994	(007000–)	Washer, Lock, 0.31	1
20	54396	(007000–)	Screw, Hex, .31–18 X 0.75, G5	1
21	371520	(007000–)	Washer, Lock, #10	1
22	19311	(007000–)	Nut, Hex, Std, #10–24	1
23	1029375	(007000–)	Bracket, Mtg, Eng, Rh	1
24	21197	(007000–)	Screw, Hex, .38–16 X 1.00, G5	8
25	32492	(007000–)	Washer, Flat, 0.38, Std	13
26	63695	(007000–)	Isolator, Vib, Flng, 1.3h .5b 2/.39h	1
27	21198	(007000–)	Screw, Hex, .38–16 X 1.25, G5	4
28	06973	(007000–)	Screw, Hex, M12 X 1.75 X 70, 8.8	2
29	06972	(007000–)	Screw, Hex, M12 X 1.75 X 60, 8.8	1
30	32493	(007000–)	Washer, Flat, 0.50, Std	6
31	9013903	(007000–)	Pipe, Nipple [Gm3.0l]	1
32	08711	(007000–)	Nut, Hex, Lock, M12 X 1.75, NI	6
33	1031961	(007000–)	Bracket, Mtg, Eng, Lh	1
34	1014411	(007000–)	Channel Wldt, Mtg, Eng, Rear	1
35	77430	(007000–)	Bracket Wldt, Mtg, Eng, Rear	1
36	77434	(007000–)	Bracket, Mtg, Eng, Rear, Lh	1
37	77435	(007000–)	Bracket, Mtg, Eng, Rear, Rh, Dsl	1
38	83674	(007000–)	Bracket Wldt, Mtg, Eng, Front, Rh	1
39	63263	(007000–)	Isolator, Vib, Flng, 1.3h .5b 2/.39h	1
40	57048	(007000–)	Washer, Flat, 0.53b 2.13d .11, Stl, PI	2
41	57773	(007000–)	Cable, 06ga 13.0l Blk	1
42	372445	(007000–)	Switch, Press, 7psi, Spdt	1
43	75768	(007000–)	Isolator, Vib, Flng, 2.0h .5b 2/.41h	1
44	50902	(007000–)	Nut, Hex, Lock, .38–16, NI	4

Fig. 24 – Engine Group (007000–)

Ref.	Part No.	Serial Number	Description	Qty.
45	372474	(007000–)	Harness,Switch,Oil Press,Ground Wire	1
46	1018573	(007000–)	Screw, Hex, .62–18 X 0.31	1
47	1029334	(007000–)	Hook, Lift [Gm3.0l 2007]	1
48	06968	(007000–)	Screw, Hex, M12 X 1.75 X 35, 8.8	2
49	9010259	(007000–)	Sender, Oil, Press [Mit]	1
50	03192	(007000–)	Screw, Hex, M10 X 1.50 X 30, 8.8	2
51	41430	(007000–)	Nut, Hex, Lock, M10 X 1.5, NI	6
52	39284	(007000–)	Screw, Hex, M10 X 1.50 X 35, 8.8	4
53	1030272	(007000–)	Housing, Thermostat [Gm3.0l 2007]	1
54	32485	(007000–)	Washer, Flat, 0.38, Sae	1
55	41142	(007000–)	Washer, Lock, Int–Ext, 0.38	2
56	69234	(007000–)	Clamp, Cable, Stl, 1.00d X 0.75w, 1hole	1
57	27980	(007000–)	Nut, Hex, Flng, .38–16	1
58	55347	(007000–)	Screw, Hex, .38–16 X 2.00, FI	1
59	9013904	(007000–)	Fitting [Gm3.0l]	1
60	9013902	(007000–)	Pipe, Adapter [Gm30.0l]	1

Fig. 25 – Engine Alternator Group (004937–005999)

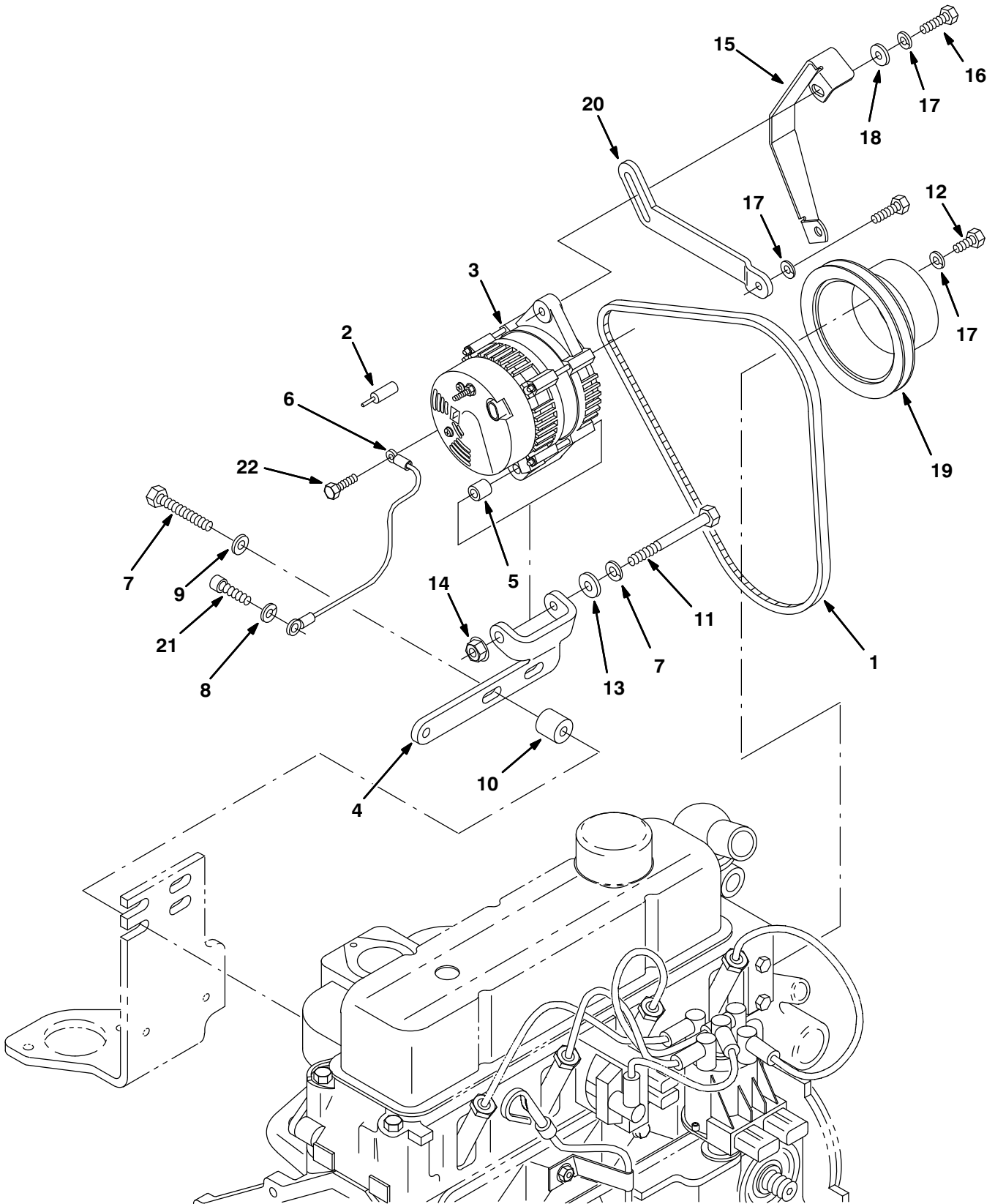


Fig. 25 – Engine Alternator Group (004937–005999)

Ref.	Part No.	Serial Number	Description	Qty.
1	64899	(004937–005999)	Belt, V, 40.0l [3v, 1	1
2	61363	(004937–005999)	Boot, Str, 0.12id 0.43id 0.25l, Blk	1
3	392611	(004937–005999)	Alternator, 12vdc, 075a [Valeo]	1
4	1008094	(004937–005999)	Bracket, Mtg, Alternator, Lower [Gm3.0l]	1
5	371526	(004937–005999)	Sleeve, Alternator	1
6	371527	(004937–005999)	Wire, Ground	1
7	371509	(004937–005999)	Washer, Lock, 0.38	2
8	27991	(004937–005999)	Screw, Hex, .38–16 X 2.25, G5	2
9	32492	(004937–005999)	Washer, Flat, 0.38, Std	2
10	35756	(004937–005999)	Tube, 0.50id 1.00od 01.0l, Stl, Pntd	2
11	371529	(004937–005999)	Screw, .38–24 X 4.00	1
12	07592	(004937–005999)	Screw, Hex, .31–24 X 0.75, G5	4
13	32485	(004937–005999)	Washer, Flat, 0.38, Sae	1
14	371528	(004937–005999)	Nut, Flng, .38–24	1
15	83581	(004937–005999)	Guard, Belt, Alternator	1
16	76956	(004937–005999)	Screw, Hex, .31–18 X 1.25, G5	1
17	393994	(004937–005999)	Washer, Lock, 0.31	6
18	32491	(004937–005999)	Washer, Flat, 0.31, Std	1
19	393998	(004937–005999)	Pulley, Fan	1
20	1007162	(004937–005999)	Arm, Adj, Alternator	1
21	371770	(004937–005999)	Screw	1
22	42011	(004937–005999)	Screw, Hex, 10–24 X 0.50, Ss	1

Fig. 26 – Engine Alternator Group (006000–006999)

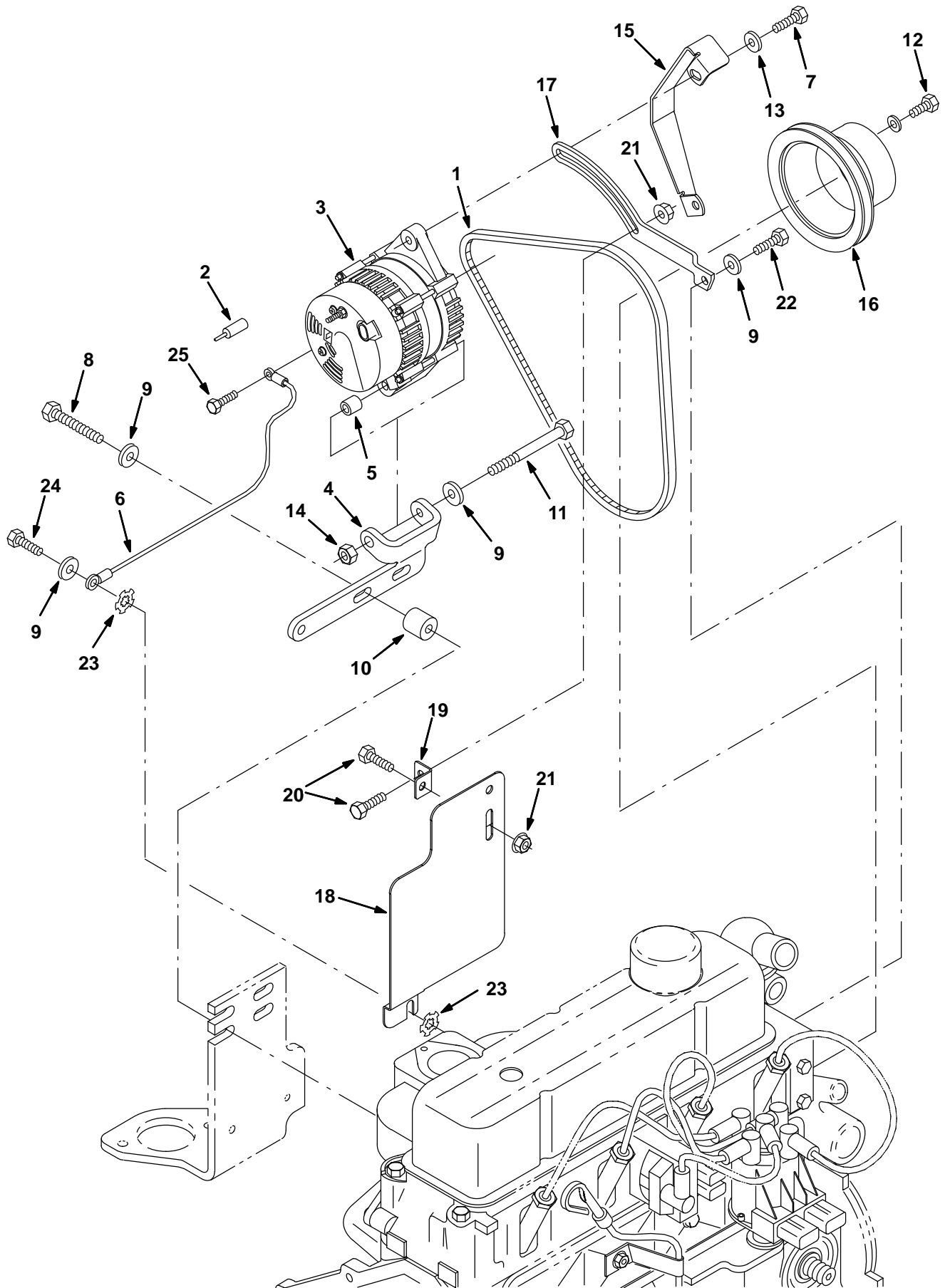


Fig. 26 – Engine Alternator Group (006000–006999)

Ref.	Part No.	Serial Number	Description	Qty.
1	393227	(006000–006999)	Belt, V, 39.6l [3v, Hc41]	1
2	61363	(006000–006999)	Boot, Str, 0.12id 0.43id 0.25l, Blk	1
3	392611	(006000–006999)	Alternator, 12vdc, 075a [Valeo]	1
4	1008094	(006000–006999)	Bracket, Mtg, Alternator, Lower [Gm3.0l]	1
5	371526	(006000–006999)	Sleeve, Alternator	1
6	371527	(006000–006999)	Wire, Ground	1
7	76955	(006000–006999)	Screw, Hex, .31–18 X 1.00, G5	1
8	27991	(006000–006999)	Screw, Hex, .38–16 X 2.25, G5	2
9	32485	(006000–006999)	Washer, Flat, 0.38, Sae	5
10	35756	(006000–006999)	Tube, 0.50id 1.00od 01.0l, Stl, Pntd	2
11	20177	(006000–006999)	Screw, Hex, .38–16 X 4.00, G5	1
12	07592	(006000–006999)	Screw, Hex, .31–24 X 0.75, G5	4
13	41186	(006000–006999)	Washer, Flat, Belleville, .31	1
14	50902	(006000–006999)	Nut, Hex, Lock, .38–16, NI	1
15	83581	(006000–006999)	Guard, Belt, Alternator	1
16	393998	(006000–006999)	Pulley, Fan	1
17	1007162	(006000–006999)	Arm, Adj, Alternator	1
18	1019513	(006000–006999)	Plate, Shield, Heat	1
19	1008513	(006000–006999)	Angle, Shield, Heat	1
20	16735	(006000–006999)	Screw, Hex, M8 X 1.25 X 16, 8.8	2
21	07791	(006000–006999)	Nut, Hex, Flng, M8 X 1.25	2
22	21195	(006000–006999)	Screw, Hex, .38–16 X 0.75, G5	1
23	41142	(006000–006999)	Washer, Lock, Int–Ext, 0.38	2
24	21197	(006000–006999)	Screw, Hex, .38–16 X 1.00, G5	1
25	42011	(006000–006999)	Screw, Hex, 10–24 X 0.50, Ss	1

Fig. 27 – Engine Alternator Group (007000-)

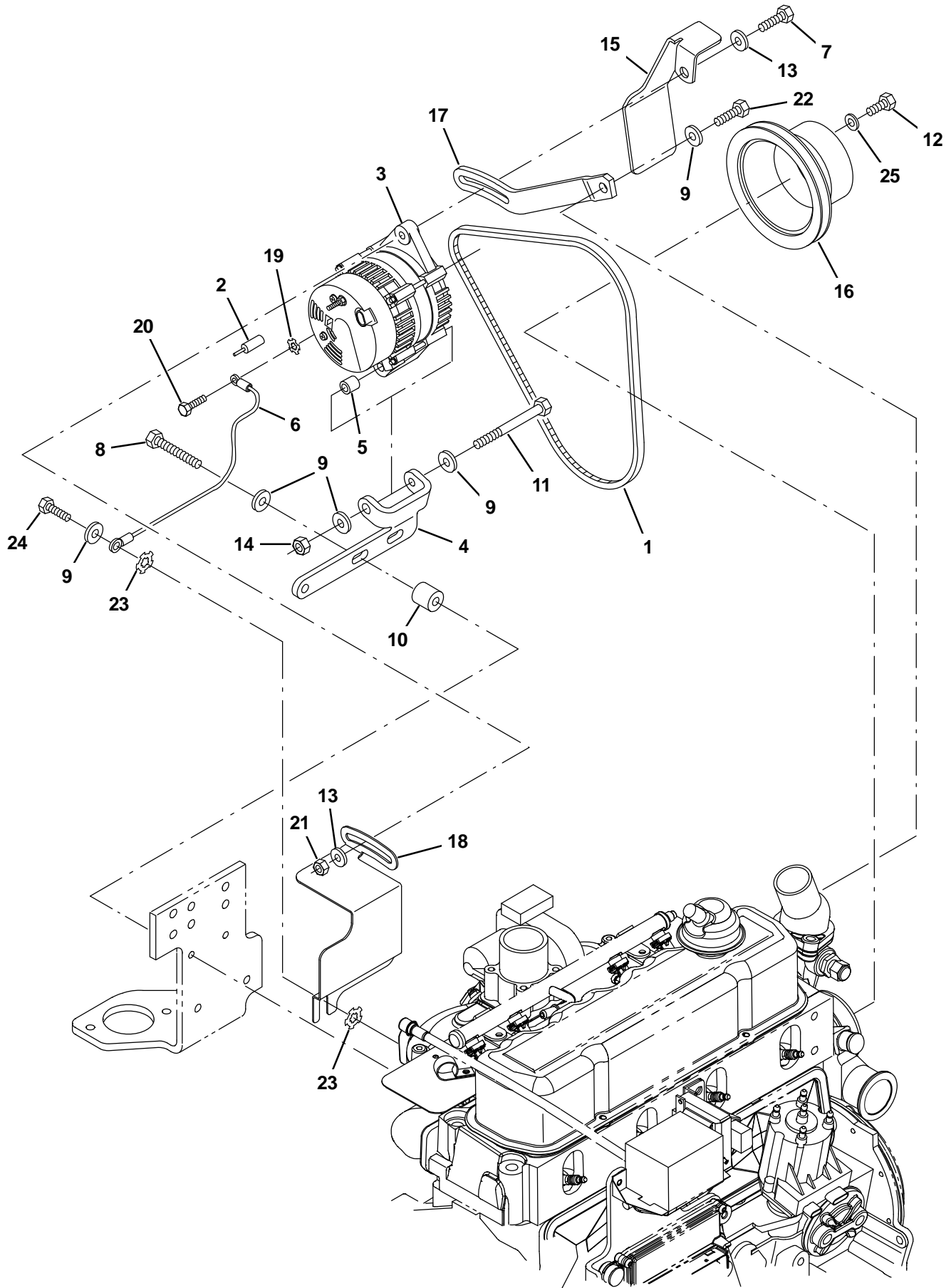


Fig. 27 – Engine Alternator Group (007000–)

Ref.	Part No.	Serial Number	Description	Qty.
1	393227	(007000–)	Belt, V, 39.6l [3v, Hc41]	1
2	61363	(007000–)	Boot, Str, 0.12id 0.43id 0.25l, Blk	1
3	392611	(007000–)	Alternator, 12vdc, 075a [Valeo]	1
4	1008094	(007000–)	Bracket, Mtg, Alternator, Lower [Gm3.0l]	1
5	371526	(007000–)	Sleeve, Alternator	1
6	371527	(007000–)	Wire, Ground	1
7	76955	(007000–)	Screw, Hex, .31–18 X 1.00, G5	1
8	27991	(007000–)	Screw, Hex, .38–16 X 2.25, G5	2
9	32485	(007000–)	Washer, Flat, 0.38, Sae	6
10	35756	(007000–)	Tube, 0.50id 1.00od 01.0l, Stl, Pntd	2
11	20177	(007000–)	Screw, Hex, .38–16 X 4.00, G5	1
12	07592	(007000–)	Screw, Hex, .31–24 X 0.75, G5	4
13	41186	(007000–)	Washer, Flat, Belleville, .31	2
14	50902	(007000–)	Nut, Hex, Lock, .38–16, NI	1
15	1008538	(007000–)	Bracket, Guard, Alternator, Hd [Gm3.0l]	1
16	393998	(007000–)	Pulley, Fan	1
17	1029649	(007000–)	Arm, Adjmt, Alternator	1
18	1030635	(007000–)	Shield, Heat, Alternator [2007]	1
19	32980	(007000–)	Washer, Lock, Int, 10	1
20	42011	(007000–)	Screw, Hex, 10–24 X 0.50, Ss	1
21	07791	(007000–)	Nut, Hex, Flng, M8 X 1.25	1
22	21195	(007000–)	Screw, Hex, .38–16 X 0.75, G5	1
23	41142	(007000–)	Washer, Lock, Int–Ext, 0.38	2
24	21197	(007000–)	Screw, Hex, .38–16 X 1.00, G5	1
25	371865	(007000–)	Washer, Flat, 0.31, Hardened	4

Fig. 28 – Engine Oil Filter and Drain Group (004937–)

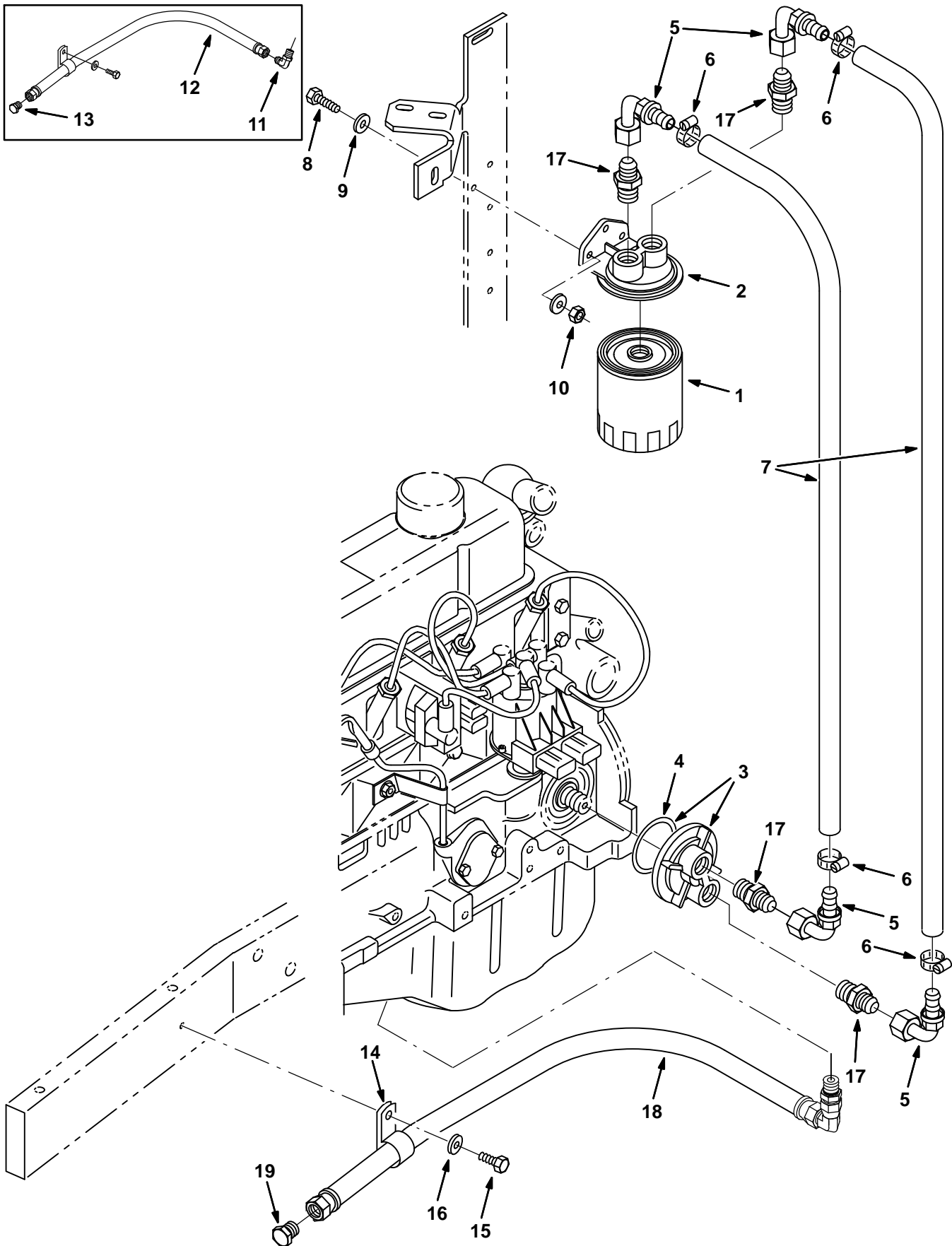


Fig. 28 – Engine Oil Filter and Drain Group (004937–)

Ref.	Part No.	Serial Number	Description	Qty.
	1	393982	(004937–) Element, Fltr, Oi	1
	2	371503	(004937–) Mount, Fltr, Remote	1
▽	3	371504	(004937–) Adapter, Fltr, Remote	1
▲	4	1032382	(004937–) Seal, Org, .139 X 03.109 Id	1
	5	371500	(004937–) Fitting, E90	4
	6	11399	(004937–) Clamp, Hose, Wormdrive, 0.81–1.50d, .50w	4
	7	371502	(004937–) Hose, 0.50d X 41.00l	2
	8	25046	(004937–) Screw, Hex, .25–20 X 1.00, G5	2
	9	19066	(004937–) Washer, Flat, 0.25b 0.56d .05, Pl, 10	2
	10	32981	(004937–) Nut, Hex, Lock, .25–20, NI	2
	11	49934	(004937–006999) Fitting, Hyd, E90, Jm06/Pm06	1
	12	76762	(004937–006999) Hose, Hyd, Low06, Jf06str/Jf06str, 026.0	1
	13	19747	(004937–006999) Fitting, Hyd, Plug, Jm06	1
	14	58366	(004937–) Clamp, Cable, Stl, 1.25d X 1.00w, 1hole	1
	15	12273	(004937–) Screw, Hex, M8 X 1.25 X 20, NI, Ss	1
	16	01685	(004937–) Washer, Flat, 0.38b 0.88d .08, Ss	1
	17	371505	(004937–) Fitting	4
	18	9006633	(007000–) Hose, Drain, Eng Oil	1
	19	9006635	(007000–) Fitting, Plug	1

Fig. 29 – Engine Carburetor and Governor Group, Gasoline (004000–004936)

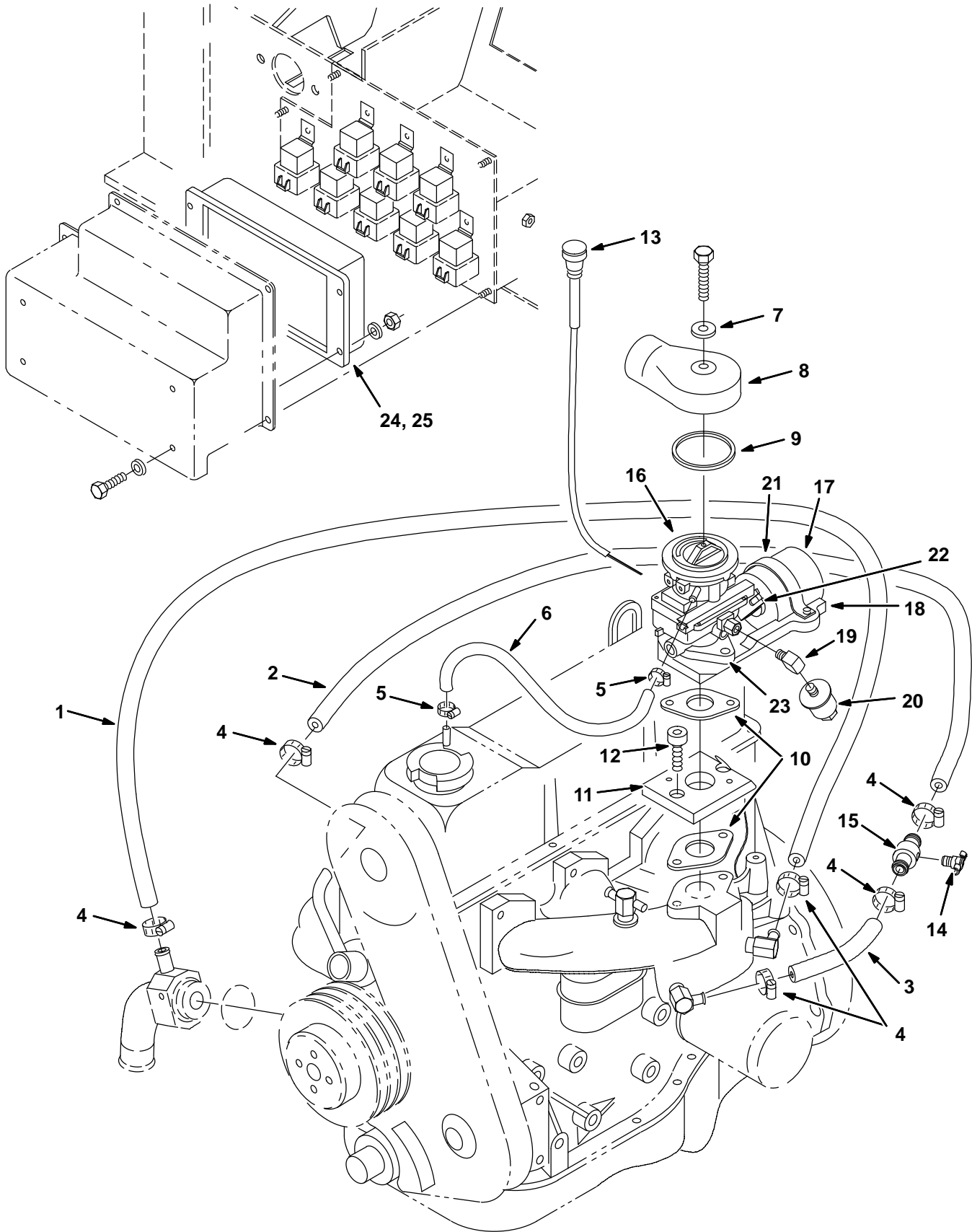


Fig. 29 – Engine Carburetor and Governor Group, Gasoline (004000–004936)

Ref.	Part No.	Serial Number	Description	Qty.
1	30389	(004000–004936)	Hose, Heater, 0.62id, 053.0l	1
2	13048	(004000–004936)	Hose, Heater, 0.62id, 038.0l	1
3	60762	(004000–004936)	Kit, Fi, Cab, [97]	1
4	63810	(004000–004936)	Clamp, Hose, Wormdrive, 0.56–1.06d, .56w	6
5	43844	(004000–004936)	Clamp, Hose, Wormdrive, 0.25–0.62d, .31w	2
6	70876	(004000–004309)	Hose, Rbr, 0.38id 0.62od 21.0l	1
6	375718	(004310–004936)	Hose, Rbr, Mold, 0.50id 0.38id [Epdm]	1
7	24924	(004000–004936)	Washer, Flat, 0.28b 0.62d .06, Nyl	1
8	57934	(004000–004936)	Adapter, Air–Intk, Carb, Gas	1
9	16738	(004000–004936)	Gasket, Carb, .06, 2.62id 3.00od, Rbr	1
10	74443	(004000–004936)	Gasket, Carb, .03, 1.18id, 2/2.5bc	2
11	83686	(004000–004936)	Adapter, Mtg, Carb [Ford 2.3]	1
12	33951	(004000–004936)	Screw, Soc, M6 X 1.00 X 20, 12.9	2
13	47313A	(004000–004936)	Cable, Cntrl, Choke, 67.1l, Knob	1
14	83580	(004000–004936)	Fitting, Brs, Drain Cock	1
15	83578	(004000–004936)	Tube, Bleed, Air, .62od 2.2l .12npt, Alm	1
▽	83678	(004000–004306)	Governor Assy [Ford, 2.3 Gas, 800l]	1
▲▽	83639	(004000–004306)	Governor, Gas	1
▲▲	16 78897	(004000–004306)	Carburetor, Gas [F/ Lrg–423, Vent, Ze]	1
▲▲	17 83683	(004000–004306)	Actuator, Govnr, Gas/Lpg	1
▲▲	18 83682	(004000–004306)	Bracket, Mtg, Govnr	1
▲▲	19 11984	(004000–004306)	Fitting, Pipe, E90, Pf02/Pm02	1
▲▲	20 36050	(004000–004306)	Filter, Fuel, In–Line [02pm/08if]	1
▲▲	21 83685	(004000–004306)	Strap, Mtg, Actuator, Govnr	1
▲▲	22 83684	(004000–004306)	Linkage Kit, Govnr	1
▲▲	23 74443	(004000–004306)	Gasket, Carb, .03, 1.18id, 2/2.5bc	1
▲▽	24 374127	(004000–004306)	Control Kit, Govnr, Replmt [All Purpose]	1
▲▲	374625	(004000–004306)	Plug Kit, Controlbox	2
▽	385415	(004307–004936)	Governor Assy, Ford 2.5 Gas	1
▲▽	83639	(004307–004936)	Governor, Gas	1
▲▲	16 385414	(004307–004936)	Carburetor, Gas [F/ Lrg–425, Vent, Ze]	1
▲▲	17 83683	(004307–004936)	Actuator, Govnr, Gas/Lpg	1
▲▲	18 83682	(004307–004936)	Bracket, Mtg, Govnr	1
▲▲	19 11984	(004307–004936)	Fitting, Pipe, E90, Pf02/Pm02	1
▲▲	20 36050	(004307–004936)	Filter, Fuel, In–Line [02pm/08if]	1
▲▲	21 83685	(004307–004936)	Strap, Mtg, Actuator, Govnr	1
▲▲	22 83684	(004307–004936)	Linkage Kit, Govnr	1
▲▲	23 74443	(004307–004936)	Gasket, Carb, .03, 1.18id, 2/2.5bc	1
▲▲	24 374127	(xxxxxx–004936)	Control Kit, Govnr, Replmt [All Purpose]	1
▽	25 1040835	(004307– xxxxxx)	Control, Govnr [All Purpose]	1
▲	374625	(004307– xxxxxx)	Plug Kit, Controlbox	2

STANDARD PARTS

Fig. 30 – Engine Electronic Fuel Ignition Group, Gas (004937–005999)

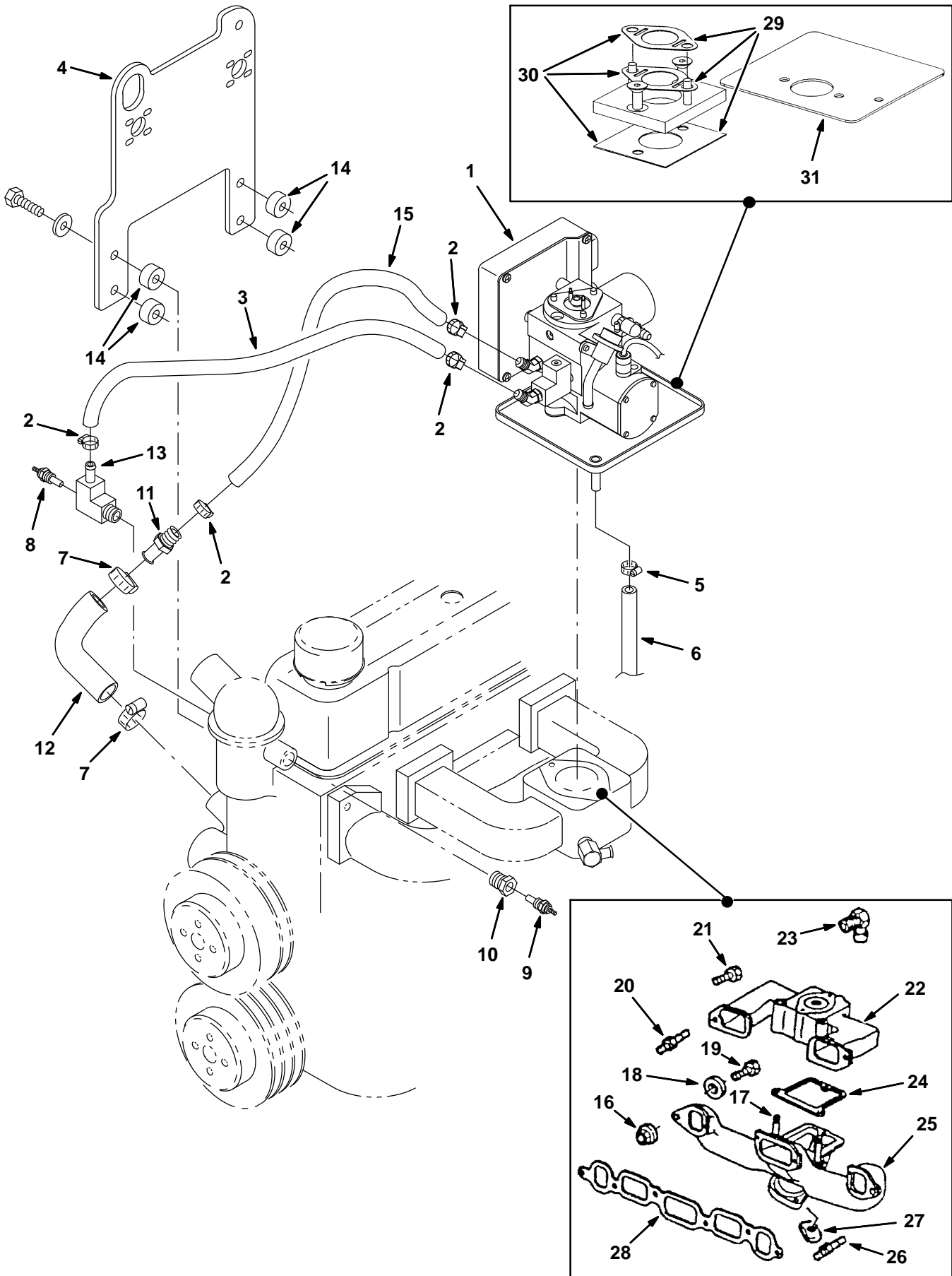


Fig. 30 – Engine Electronic Fuel Ignition Group, Gas (004937–005999)

Ref.	Part No.	Serial Number	Description	Qty.	
1	371896	(004937–005999)	Housing Assy, Throttle, Gas, [With Ecu] (See Breakdowns)	1	
1	371897	(004937–005999)	Housing Assy, Throttle, Gas, [Without Ecu] (See Breakdowns)	1	
2	371538	(004937–005999)	Clamp	5	
3	371532	(004937–005999)	Hose, Heater, 0.38id	1	
4	392570	(004937–005999)	Plate, Mtg, Reg	1	
5	86824	(004937–005999)	Clamp, Hose, Wormdrive, 0.50–1.06d, .50w	1	
6	16387	(004937–005999)	Hose, Fuel, 0.50id, 52.0l	1	
7	11399	(004937–005999)	Clamp, Hose, Wormdrive, 0.81–1.50d, .50w	2	
8	9006591	(004937–005999)	Sensor, Temp, Coolant	1	
9	36165	(004937–005999)	Send–Unit, Water, Temp, 06npt [Datcon]	1	
10	47167	(004937–005999)	Fitting, Brs, Str, Pf06/Pm08	1	
11	371763	(004937–005999)	Fitting, Hose	1	
12	371765	(004937–005999)	Hose	1	
13	371766	(004937–005999)	Fitting, Elbow	1	
14	371767	(004937–005999)	Spacer	4	
15	769808	(004937–005999)	Hose, Fuel, 0.38id, 18.0l	1	
16	393905	(004937–005999)	Nut, Manifold, Exhaust	8	
17	393906	(004937–005999)	Stud, Intake To Exhaust Manifold	2	
18	393907	(004937–005999)	Washer, Manifold, Exhaust	–	
19	393898	(004937–005999)	Bolt	3	
20	393908	(004937–005999)	Stud, Intake Manifold To Cyl Head	1	
21	393909	(004937–005999)	Bolt, Intake Manifold	–	
22	393910	(004937–005999)	Manifold, Intake	1	
23	393911	(004937–005999)	Fitting, Manifold, Intake	1	
24	393912	(004937–005999)	Gasket, Manifold, Exhaust	1	
25	393913	(004937–005999)	Manifold, Exhaust	1	
26	393914	(004937–005999)	Stud, Pipe, Exhaust	2	
27	393915	(004937–005999)	Clamp, Manifold	4	
28	393916	(004937–005999)	Gasket, Manifold, Intake	1	
▽	29	371646	(004937–005999)	Adapter Kit, Manifold	1
▲	30	371647	(004937–005999)	Gasket Kit, Manifold	1
	31	371658	(004937–005999)	Shield, Heat	1

STANDARD PARTS

Fig. 31 - Engine Electronic Fuel Ignition Group, Gas (006000-006999)

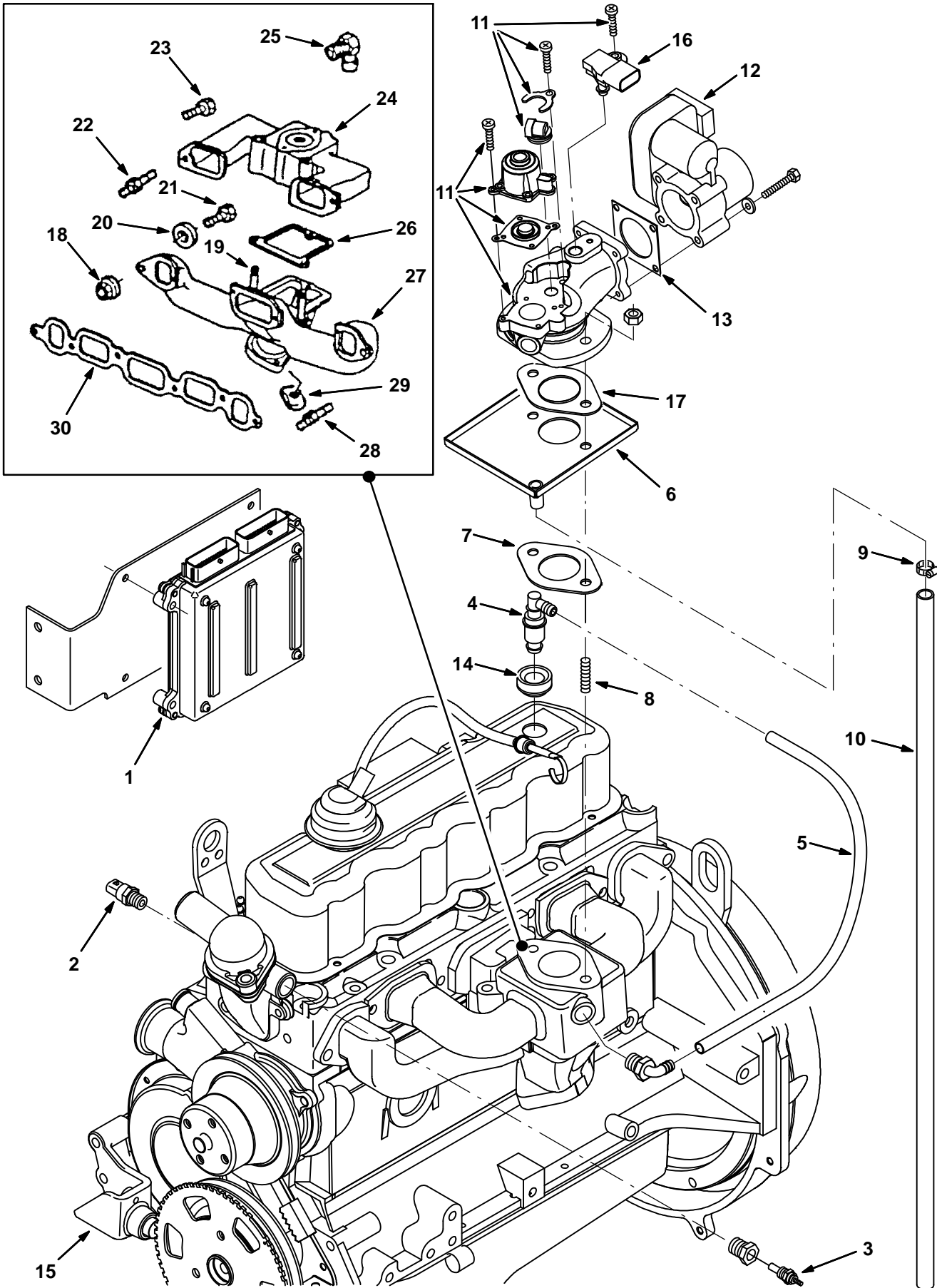


Fig. 31 – Engine Electronic Fuel Ignition Group, Gas (006000–006999)

Ref.	Part No.	Serial Number	Description	Qty.
1	372860	(006000–006999)	Module, Ecu, Gas [Gm 3.0]	1
2	372891	(006000–006999)	Sensor, Temp, Coolant	1
3	372472	(006000–006999)	Sensor, Temp	1
4	372483	(006000–006999)	Valve [Pcv]	1
5	372489	(006000–006999)	Hose, 9.5mm X 450mm [Pcv]	1
6	1013350	(006000–006999)	Tray Wldt, Drip, Gas [3.0]	1
7	372490	(006000–006999)	Gasket, Carb	1
8	372466	(006000–006999)	Stud, .38–16 X 1.2	2
9	63810	(006000–006999)	Clamp, Hose, Wormdrive, 0.56–1.06d, .56w	1
10	16387	(006000–006999)	Hose, Fuel, 0.50id, 52.0l	1
11	372488	(006000–006999)	Housing Assy, Throttle, Gas	1
12	384974	(006000–006999)	Housing, Throttle, 40mm [Bosch]	1
13	372545	(006000–006999)	Gasket, Body, Throttle [1.6]	1
14	393984	(006000–006999)	Grommet	1
15	372492	(006000–006999)	Sensor, Spd, Timing Wheel [3.0]	1
16	372493	(006000–006999)	Sensor [Tmap]	1
17	372490	(006000–006999)	Gasket, Carb	1
18	393905	(006000–006999)	Nut, Manifold, Exhaust	8
19	393906	(006000–006999)	Stud, Intake To Exhaust Manifold	2
20	393907	(006000–006999)	Washer, Manifold, Exhaust	–
21	393898	(006000–006999)	Bolt	3
22	393908	(006000–006999)	Stud, Intake Manifold To Cyl Head	1
23	393909	(006000–006999)	Bolt, Intake Manifold	–
24	393910	(006000–006999)	Manifold, Intake	1
25	393911	(006000–006999)	Fitting, Manifold, Intake	1
26	393912	(006000–006999)	Gasket, Manifold, Exhaust	1
27	393913	(006000–006999)	Manifold, Exhaust	1
28	393914	(006000–006999)	Stud, Pipe, Exhaust	2
29	393915	(006000–006999)	Clamp, Manifold	4
30	393916	(006000–006999)	Gasket, Manifold, Intake	1

STANDARD PARTS

Fig. 32 – Engine Electronic Fuel Ignition Group, Gas (007000–)

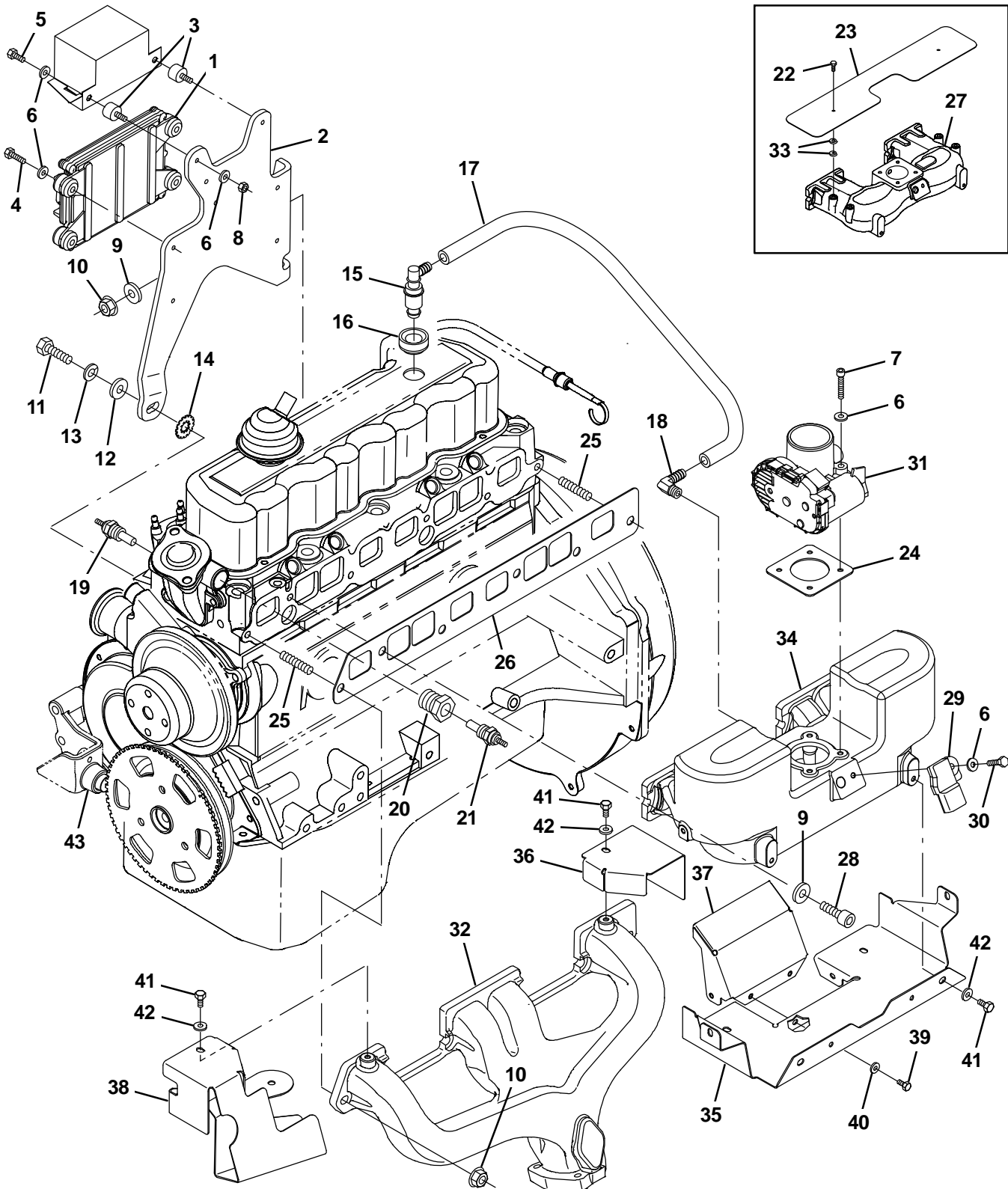


Fig. 32 – Engine Electronic Fuel Ignition Group, Gas (007000–)

Ref.	Part No.	Serial Number	Description	Qty.
1	1032804	(007000–007486)	Module, Ecu, Gas [Gm3.0l 2007]	1
1	1062362	(007487–)	Module, Ecu, Gas [Gm3.0L 2010]	1
2	385008	(007000–)	Bracket, Box, Relay	1
3	372470	(007000–)	Isolator, Box, Relay	2
4	25047	(007000–)	Screw, Hex, .25–20 X 1.25, G5	4
5	19315	(007000–)	Screw, Hex, .25–20 X 0.50, G5	2
6	32490	(007000–)	Washer, Flat, 0.25, Std	9
7	06948	(007000–)	Screw, Hex, M6 X 1.00 X 45, 8.8	4
8	19312	(007000–)	Nut, Hex, Std, .25–20	2
9	371877	(007000–)	Washer, Flat, 0.38, Hardened	5
10	27980	(007000–)	Nut, Hex, Flng, .38–16	3
11	371553	(007000–)	Screw, .38–16 X 1.00	1
12	371877	(007000–)	Washer, Flat, 0.38, Hardened	1
13	371509	(007000–)	Washer, Lock, 0.38	1
14	371875	(007000–)	Washer, Lock, Int / Ext, 0.38	1
15	9006589	(007000–)	Valve [Pc]	1
16	393984	(007000–)	Grommet	1
17	385001	(007000–)	Hose, Fuel, .38d, Rbr[16”L]	1
18	385002	(007000–)	Fitting, E90	1
19	9006591	(007000–)	Sensor, Temp, Coolant	1
20	385000	(007000–)	Fitting, Bshg	1
21	372472	(007000–)	Sensor, Temp	1
22	385007	(007000–007486)	Screw, M6 X 10mm	2
23	385006	(007000–007486)	Shield, Heat, Manifold	1
24	372545	(007000–)	Gasket, Body, Throttle [1.6l]	1
25	372466	(007000–)	Stud, .38–16 X 1.2l	2
26	385003	(007000–)	Gasket, Manifold, Intake	1
27	385004	(007000–007486)	Manifold, Intake [2007]	1
28	10830	(007000–)	Screw, Soc, .38–16 X 1.00, Al	4
29	384985	(007000–)	Sensor [T Map]	1
30	19317	(007000–)	Screw, Hex, .25–20 X 0.75, G5	1
31	384974	(007000–)	Housing, Throttle, 40mm [Bosch]	1
32	1060653	(007000–)	Manifold, Exhaust [Gm3.0l]	1
33	32490	(007000–007486)	Washer, Flat, 0.25, Std	4
34	9008194	(007487–)	Manifold, Intake [Gm3.0l 2010]	1
35	9008799	(007487–)	Shield, Heat [Gm3.0l 2010]	1
36	9008800	(007487–)	Shield, Heat [Gm3.0l 2010]	1
37	9008801	(007487–)	Shield, Heat [Gm3.0l 2010]	1
38	9008802	(007487–)	Shield, Heat, Alternator [Gm3.0l 10]	1
39	763025	(007487–)	Screw, Hex, M5 X 0.80 X 10, Fl	4
40	19065	(007487–)	Washer, Flat, 0.19b 0.44d .05, Pl, 08	4
41	87308	(007487–)	Screw, Hex, M6 X 1.00 X 12, 8.8	8
42	32483	(007487–)	Washer, Flat, 0.25, Sae	8
43	372492	(007000–)	Sensor, Spd, Timing Wheel [3.0l]	1

Fig. 33 – Engine Carburetor and Governor Group, LPG (004000–004936)

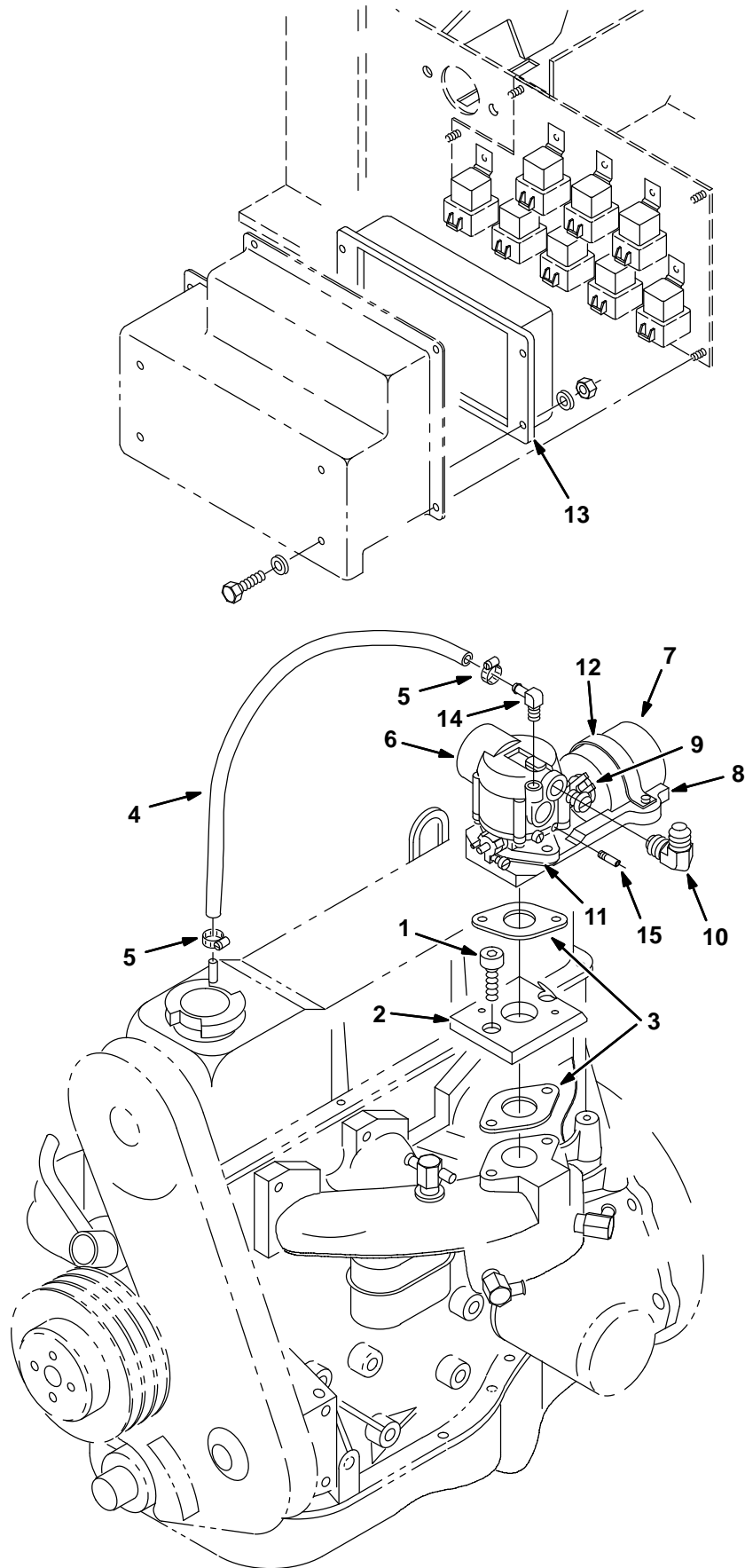


Fig. 33 – Engine Carburetor and Governor Group, LPG (004000–004936)

Ref.	Part No.	Serial Number	Description	Qty.
1	33951	(004000–004936)	Screw, Soc, M6 X 1.00 X 20, 12.9	2
2	83686	(004000–004936)	Adapter, Mtg, Carb [Ford 2.3]	1
3	74443	(004000–004936)	Gasket, Carb, .03, 1.18id, 2/2.5bc	2
4	70876	(004000–004309)	Hose, Rbr, 0.38id 0.62od 21.0l	1
4	375718	(004310–004936)	Hose, Rbr, Mold, 0.50id 0.38id [Epdm]	1
5	43844	(004000–004936)	Clamp, Hose, Wormdrive, 0.25–0.62d, .31w	2
▽	83679	(004000–004936)	Governor Assy [Ford, 2.3/2.5] Rep.Bynone	1
▲▽	83640	(004000–004936)	Governor, Lpg	1
▲▲	6 73017	(004000–004936)	Carburetor, Lpg [F/ Lrg–423, W/ Gasket]	1
▲▲	78881	(004000–004936)	Carb Kit, Repair	1
▲▲	7 83683	(004000–004936)	Actuator, Govnr, Gas/Lpg	1
▲▲	8 83682	(004000–004936)	Bracket, Mtg, Govnr	1
▲▲	9 83684	(004000–004936)	Linkage Kit, Govnr	1
▲▲	10 69097	(004000–004936)	Fitting, Hyd, E90, Jm10/Pm06	1
▲▲	11 74443	(004000–004936)	Gasket, Carb, .03, 1.18id, 2/2.5bc	1
▲▲	12 83685	(004000–004936)	Strap, Mtg, Actuator, Govnr	1
▲▲	13 374127	(004000–004936)	Control Kit, Govnr, Replmt [All Purpose]	1
▲▲	14 53029	(004000–004936)	Fitting, Brs, E90, Em05/Pm02	1
▲	15 74402	(004000–004936)	Fitting, Brs, Str, .25–28/Spcl [Carb]	1

Fig. 34 – Engine Vaporizer Group, LPG (004000–004818)

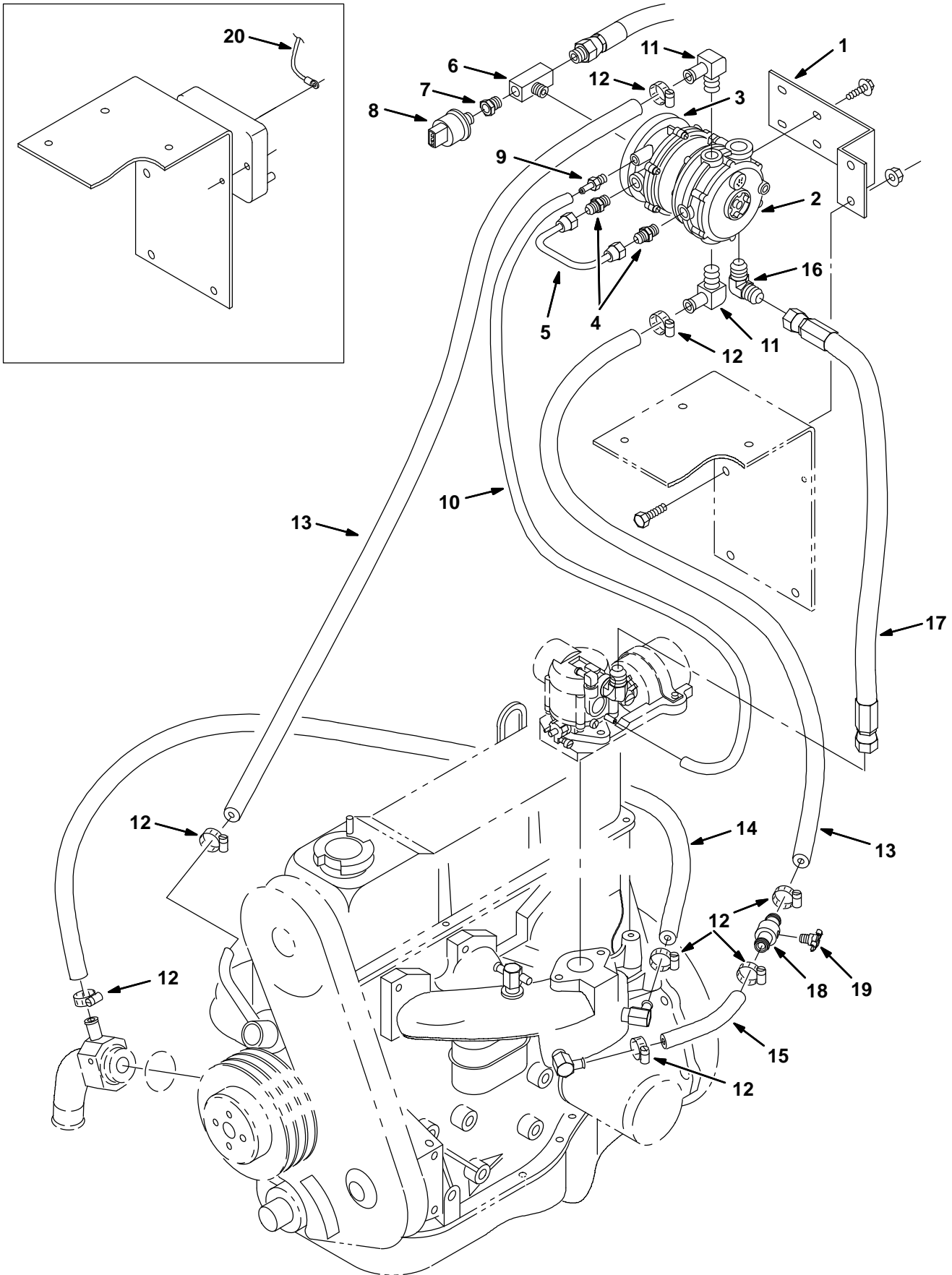


Fig. 34 – Engine Vaporizer Group, LPG (004000–004818)

Ref.	Part No.	Serial Number	Description	Qty.
	1	70849	(004000–004818) Bracket, Mtg, Vaporizer	1
▽	2	374648	(004000–004818) Vaporizer / Reg, Lpg [Impco]	1
▲		374649	(004000–004818) Vaporizer Kit, Replmt	1
▽	3	73020	(004000–004818) Filter, Fuelock	1
▲		65527	(004000–004818) Fuelock Kit, Replmt	1
	4	15724	(004000–004818) Fitting, Hyd, Str, Jm06/Pm04	2
	5	59808	(004000–004818) Fuelline, .38d 06sf/06sf, Stl	1
	6	53268	(004000–004818) Fitting, Brs, Tee, Pf04/Pf04/Pm04, Br	1
	7	17414	(004000–004818) Fitting, Hyd, Str, Pf02/Pm04	1
	8	23156	(004000–004818) Switch, Press, 0070psi Spst Nc 12vdc 08a	1
	9	40607	(004000–004818) Fitting, Brs, Str, Bm03/Pm02	1
	10	34072	(004000–004818) Hose, Vacuum, 0.16id X 021.0l	1
	11	51839	(004000–004818) Fitting, Brs, E90, Em10/Pm06	2
	12	63810	(004000–004818) Clamp, Hose, Wormdrive, 0.56–1.06d, .56w	8
	13	72979	(004000–004818) Hose, Heater, 0.62id, 020.0l	2
	14	30389	(004000–004818) Hose, Heater, 0.62id, 053.0l	1
	15	60726	(004000–004818) Hose, Heater, 0.62id, 015.0l Rep.Bynone	1
	16	46611	(004000–004818) Fitting, Hyd, E90, Jm10/Pm08	1
	17	60725	(004000–004818) Hose, Lpg, Med10, Jf14str/Jf14str, 028.0	1
	18	83578	(004000–004818) Tube, Bleed, Air, .62od 2.2l .12npt, Alm	1
	19	83580	(004000–004818) Fitting, Brs, Drain Cock	1
	20	374615	(004000–004215) Wire Kit, Ground, Repair [2.3l Ford Lpg]	1

Fig. 35 – Engine Vaporizer Group, LPG (004819–004936)

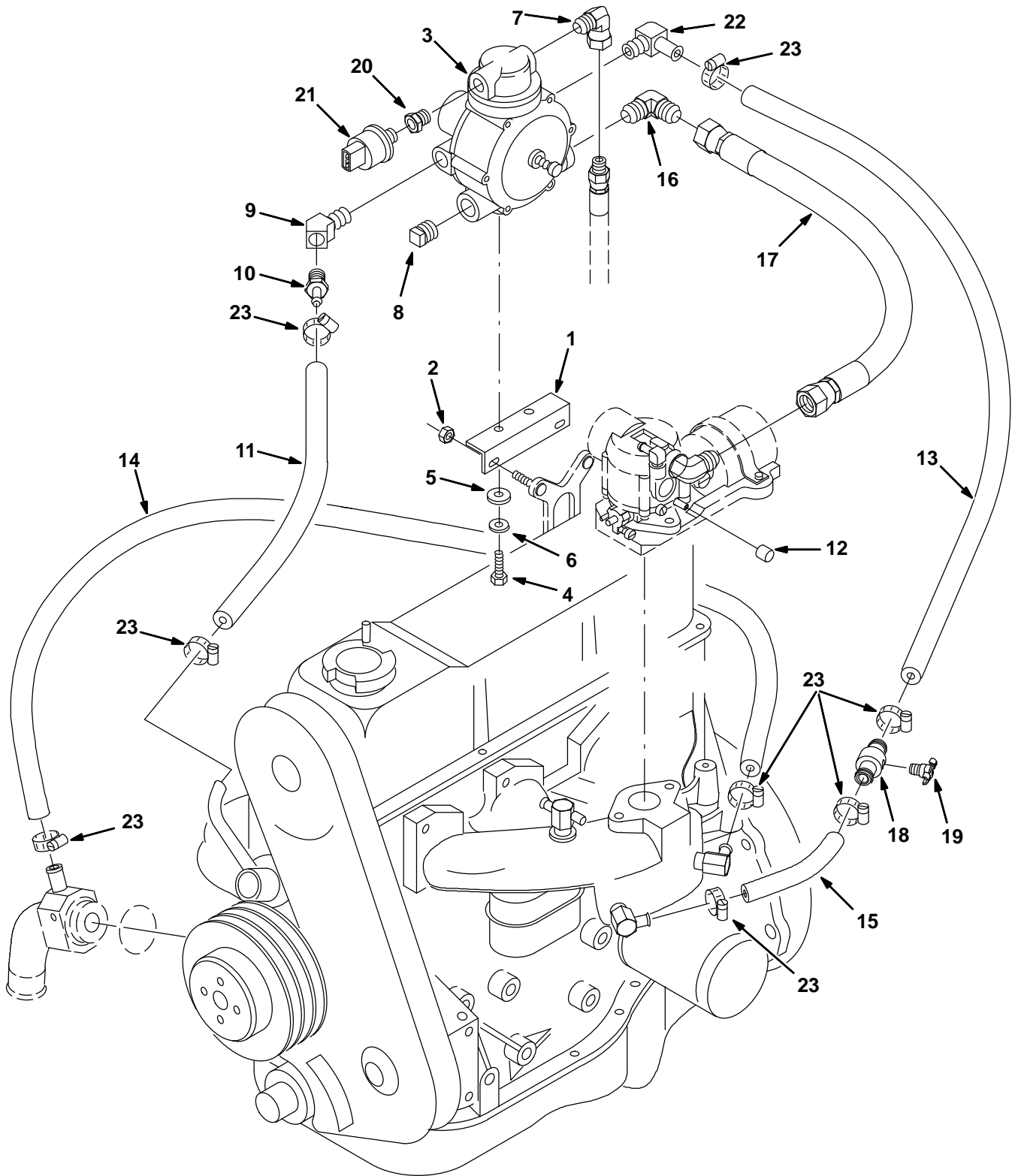


Fig. 35 – Engine Vaporizer Group, LPG (004819–004936)

Ref.	Part No.	Serial Number	Description	Qty.	
1	374154	(004819–004936)	Angle, Mtg, .12 X 1 X 1 X 4.5l	1	
2	07789	(004819–004936)	Nut, Hex, Flng, M5 X 0.80	2	
▽	3	383170	(004819–004936)	Controller Kit, Lpg, 12vdc	1
▲	383014	(004819–004936)	Vaporizer Kit, Repair, F/383170	1	
4	06942	(004819–004936)	Screw, Hex, M6 X 1.00 X 16, 8.8	2	
5	32483	(004819–004936)	Washer, Flat, 0.25, Sae	2	
6	32982	(004819–004936)	Washer, Lock, Int, 0.25	2	
7	27048	(004819–004936)	Fitting, Brs, E90, Pf04/Pm04	1	
8	17521	(004819–004936)	Fitting, Pipe, Plug, Pm08, Sq Head	1	
9	1043095	(004819–004936)	Fitting, Brs, E45, Pf06/Pm06	1	
10	27767	(004819–004936)	Fitting, Brs, Str, Em10/Pm06	1	
11	60726	(004819–004936)	Hose, Heater, 0.62id, 015.0l Rep.Bynone	1	
12	63810	(004819–004936)	Clamp, Hose, Wormdrive, 0.56–1.06d, .56w	8	
13	72979	(004819–004936)	Hose, Heater, 0.62id, 020.0l	2	
14	30389	(004819–004936)	Hose, Heater, 0.62id, 053.0l	1	
15	60726	(004819–004936)	Hose, Heater, 0.62id, 015.0l Rep.Bynone	1	
16	46611	(004819–004936)	Fitting, Hyd, E90, Jm10/Pm08	1	
17	60725	(004819–004936)	Hose, Lpg, Med10, Jf14str/Jf14str, 028.0	1	
18	83578	(004819–004936)	Tube, Bleed, Air, .62od 2.2l .12npt, Alm	1	
19	83580	(004819–004936)	Fitting, Brs, Drain Cock	1	
20	17414	(004819–004936)	Fitting, Hyd, Str, Pf02/Pm04	1	
21	23156	(004819–004936)	Switch, Press, 0070psi Spst Nc 12vdc 08a	1	
22	51839	(004819–004936)	Fitting, Brs, E90, Em10/Pm06	1	
23	63810	(004819–004936)	Clamp, Hose, Wormdrive, 0.56–1.06d, .56w	8	

STANDARD PARTS

Fig. 36 – Engine Electronic Fuel Ignition and Vaporizer Group, LPG (004937–005999)

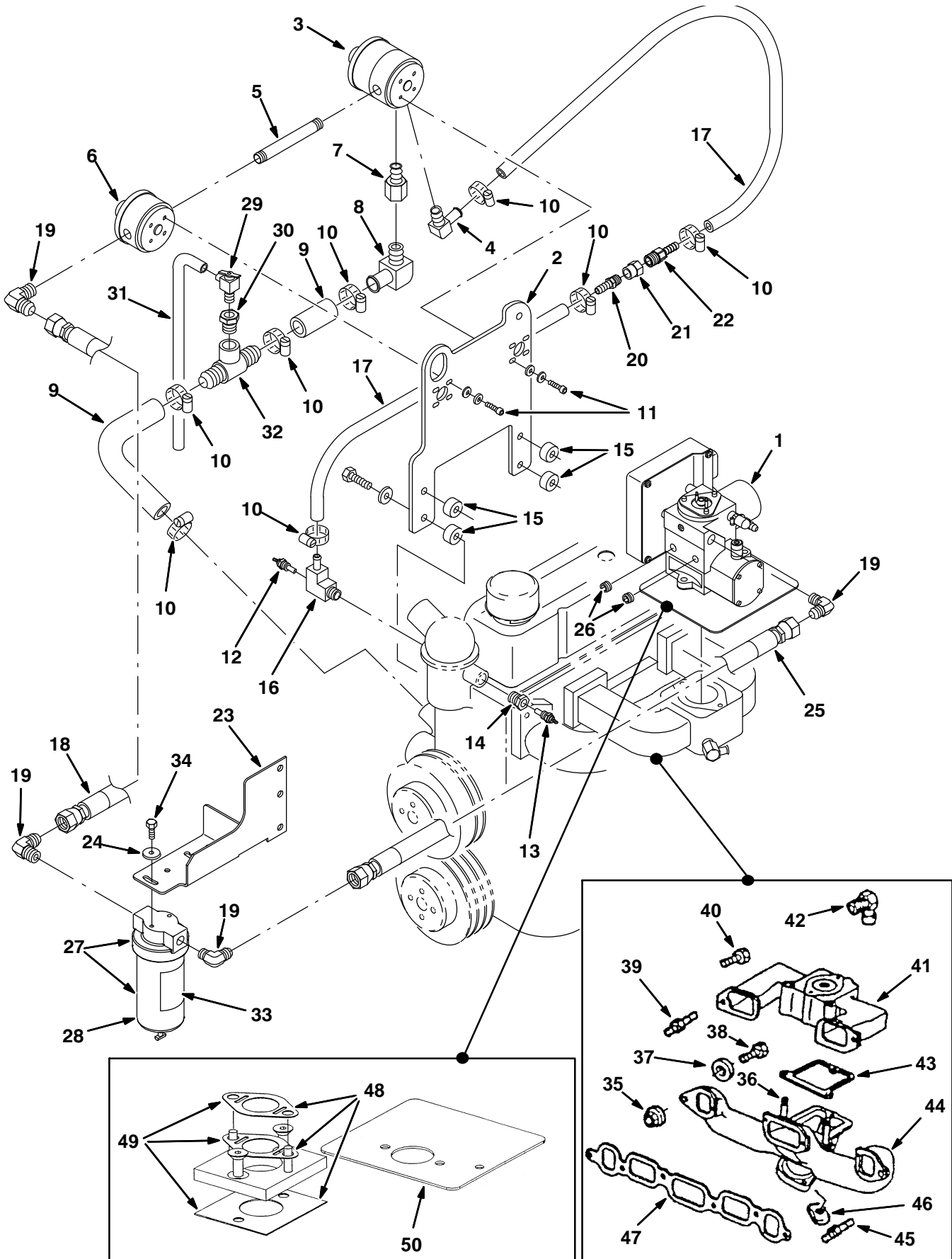


Fig. 36 – Engine Electronic Fuel Ignition and Vaporizer Group, LPG (004937–005999)

Ref.	Part No.	Serial Number	Description	Qty.	
1	371894	(004937–005999)	Housing Assy, Throttle, Lpg, [With Ecu] (See Breakdowns)	1	
1	371895	(004937–005999)	Housing Assy, Throttle, Lpg, [Without Ecu] (See Breakdowns)	1	
2	392570	(004937–005999)	Plate, Mtg, Reg	1	
3	371749	(004937–005999)	Vaporizer, Lpg	1	
4	371754	(004937–005999)	Fitting	1	
5	371755	(004937–005999)	Pipe	1	
6	371750	(004937–005999)	Regulator	1	
7	371768	(004937–005999)	Fitting	1	
8	371757	(004937–005999)	Fitting	1	
9	393972	(004937–005999)	Hose, Conv	1	
10	11399	(004937–005999)	Clamp, Hose, Wormdrive, 0.81–1.50d, .50w	8	
11	371759	(004937–005999)	Screw	8	
12	371764	(004937–005999)	Sensor, Temp, Water	1	
13	36165	(004937–005999)	Send–Unit, Water, Temp, 06npt [Datcon]	1	
14	47167	(004937–005999)	Fitting, Brs, Str, Pf06/Pm08	1	
15	371767	(004937–005999)	Spacer	4	
16	371766	(004937–005999)	Fitting, Elbow	1	
17	769806	(004937–005999)	Hose, Fuel, 0.38id, 21.0l	1	
18	1017477	(004937–005999)	Hose, Lpg, Med08, Jf08str/Jf08str, 037.5	1	
19	1017272	(004937–005999)	Fitting, Hyd, E90, Jm08/Pm04	4	
20	150516	(004937–005999)	Fitting, Brs, Str, Bm06/Pm04	1	
21	1017239	(004937–005999)	Fitting, Brs, Rst, Pf04/.69–16f, .063	1	
22	1017598	(004937–005999)	Fitting, Plstc, Str, Bm06/M.69–16	1	
23	1017080	(004937–005999)	Bracket, Fltr, Lpg [6600]	1	
24	29570	(004937–005999)	Washer, Flat, 0.28b 1.00d .06, Stl	2	
25	1017476	(004937–005999)	Hose, Lpg, Med08, Jf08str/Jf08str, 035.0	1	
26	02247	(004937–005999)	Fitting, Pipe, Plug, Pm04, Hex Soc	2	
▽	27	1017500	(004937–005999)	Filter, Fuel, Lpg [Coalescent]	1
▲	28	372937	(004937–005999)	Element, Fltr, Fuel, Lpg[Coalescent]	1
29	51305	(004937–005999)	Fitting, Draincock, E90, .25npt	1	
30	311828	(004937–005999)	Cs, Fitting, Brs, Str, Pm08/Pf04	1	
31	392258	(004937–005999)	Hose, Pvc, Clr, 0.38id 0.56od 013.0l	1	
32	64740	(004937–005999)	Fitting, Plstc, Tee, Bm12/Bm12/Pf08, Br	1	
33	1017662	(004937–005999)	Label, Instr, Fltr Drain	1	
34	19317	(004937–005999)	Screw, Hex, .25–20 X 0.75, G5	2	
	130041	(004937–005999)	Tie, Cable, Nyl, 11.5l .19w	6	
35	393905	(004937–005999)	Nut, Manifold, Exhaust	8	
36	393906	(004937–005999)	Stud, Intake To Exhaust Manifold	2	
37	393907	(004937–005999)	Washer, Manifold, Exhaust	–	
38	393898	(004937–005999)	Bolt	3	
39	393908	(004937–005999)	Stud, Intake Manifold To Cyl Head	1	
40	393909	(004937–005999)	Bolt, Intake Manifold	–	
41	393910	(004937–005999)	Manifold, Intake	1	
42	393911	(004937–005999)	Fitting, Manifold, Intake	1	
43	393912	(004937–005999)	Gasket, Manifold, Exhaust	1	
44	393913	(004937–005999)	Manifold, Exhaust	1	
45	393914	(004937–005999)	Stud, Pipe, Exhaust	2	
46	393915	(004937–005999)	Clamp, Manifold	4	
47	393916	(004937–005999)	Gasket, Manifold, Intake	1	

STANDARD PARTS

354329 – 800, LP

Fig. 36 – Engine Electronic Fuel Ignition and Vaporizer Group, LPG (004937–005999)

	Ref.	Part No.	Serial Number	Description	Qty.
▽	48	371646	(000000–)	Kit, Adaptor, Manifold	1
▲	49	371647	(000000–)	Kit, Gasket, Manifold	1
	50	371658	(000000–)	Shield, Heat	1

STANDARD PARTS

Fig. 37 – Engine Electronic Fuel Ignition and Vaporizer Group, LPG (006000–006999)

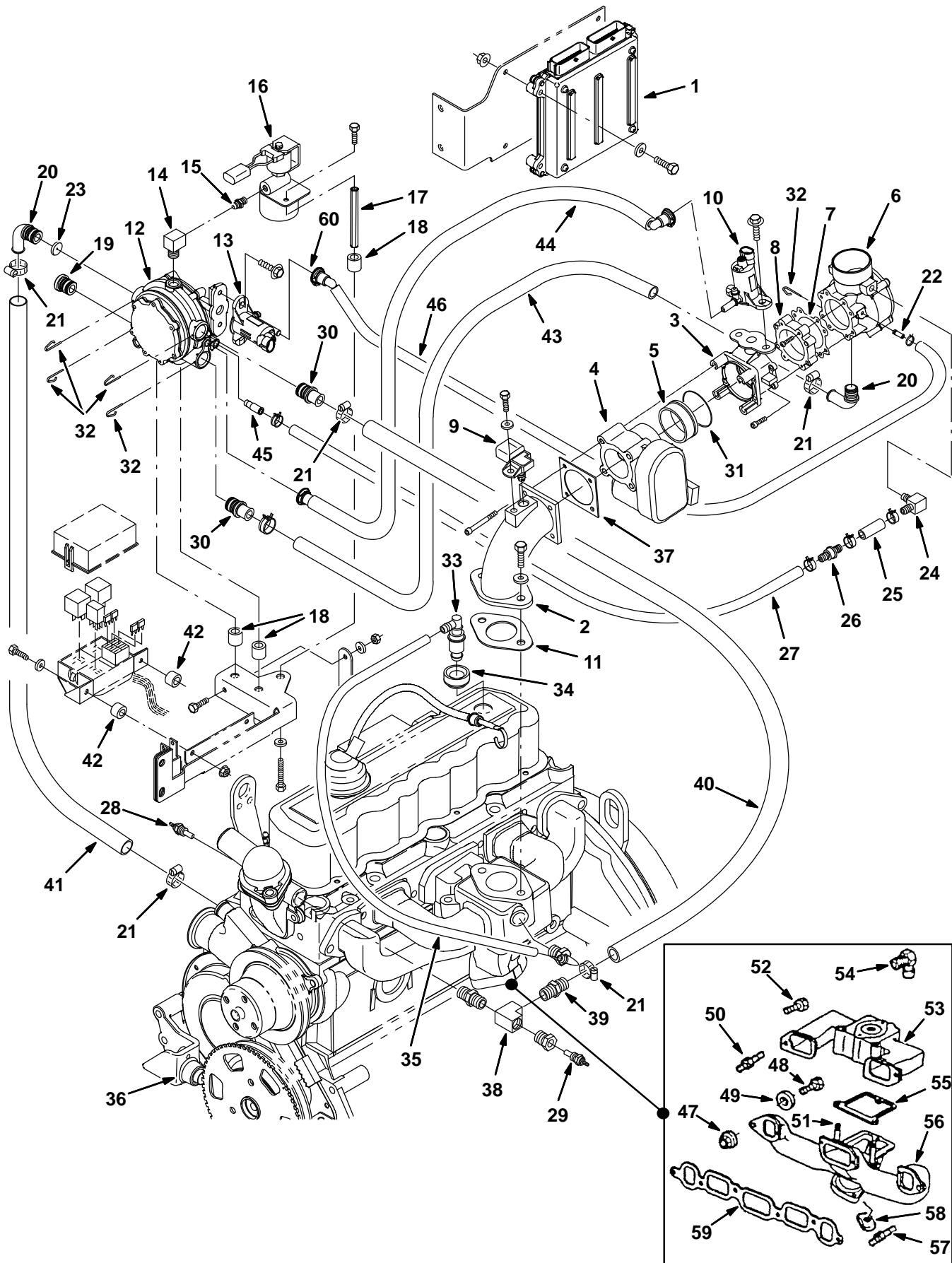


Fig. 37 – Engine Electronic Fuel Ignition and Vaporizer Group, LPG (006000–006999)

Ref.	Part No.	Serial Number	Description	Qty.	
1	372859	(006000–006999)	Module, Ecu, Lpg [Gm 3.0I]	1	
2	372495	(006000–006999)	Adapter, Intake, Lpg [3.0I]	1	
3	372496	(006000–006999)	Adapter, Valve, Fuel Trim	1	
4	384974	(006000–006999)	Housing, Throttle, 40mm [Bosch]	1	
5	372498	(006000–006999)	Sleeve, Throttle, Plstc [Bosch]	1	
6	372899	(006000–006999)	Housing Assy, Thr	1	
7	372608	(006000–006999)	Gasket	1	
8	372612	(006000–006999)	Adapter, Throttle Body	1	
9	372493	(006000–006999)	Sensor [Tmap]	1	
10	372497	(006000–006999)	Valve, Trim, Fuel, Lpg	1	
11	372490	(006000–006999)	Gasket, Carb	1	
12	372500	(006000–006999)	Regulator, Lpg	1	
13	372501	(006000–006999)	Valve, Trim, Press, Lpg	1	
14	372611	(006000–006999)	Fitting, Str, E90, .25npt	1	
15	372610	(006000–006999)	Fitting, Nipple, .25npt, Brs	1	
▽	16	372503	(006000–006999)	Valve, Fuelock, Lpg, Wire Connector	1
▲	17	372615	(006000–006999)	Filter Kit, Fuelock, Lpg	1
	17	372577	(006000–006999)	Spacer, Sppt, Fltr Lock Off	1
	18	372518	(006000–006999)	Isolator, Mtg, Vaporizer, Rbr	3
	19	372515	(006000–006999)	Fitting, Cap	1
	20	372512	(006000–006999)	Fitting, E70	2
	21	63810	(006000–006999)	Clamp, Hose, Wormdrive, 0.56–1.06d, .56w	5
	22	372511	(006000–006999)	Fitting, Hose, Vacuum, .25	1
	23	372517	(006000–006999)	Restrictor, Jet, Coolant	1
	24	372510	(006000–006999)	Fitting, E90	1
	25	372507	(006000–006999)	Hose, Balancing, Press, 045mm	1
	26	372569	(006000–006999)	Valve, Check	1
	27	372506	(006000–006999)	Hose, Balancing, Press, 680mm	1
	28	372891	(006000–006999)	Sensor, Temp, Coolant	1
	29	372472	(006000–006999)	Sensor, Temp	1
	30	372514	(006000–006999)	Fitting, Str	2
	31	372484	(006000–006999)	Seal, Org	1
	32	372523	(006000–006999)	Pin, Retainer	5
	33	372483	(006000–006999)	Valve [Pcv]	1
	34	393984	(006000–006999)	Grommet	1
	35	372489	(006000–006999)	Hose, 9.5mm X 450mm [Pcv]	1
	36	372492	(006000–006999)	Sensor, Spd, Timing Wheel [3.0I]	1
	37	372545	(006000–006999)	Gasket, Body, Throttle [1.6I]	1
	38	372527	(006000–006999)	Fitting, Pipe, Tee, Pf06/Pf06/Pm06	1
	39	372526	(006000–006999)	Fitting, Hose, 10hose/Pm06	1
	40	372531	(006000–006999)	Hose, Mold, .62 X 37.0	1
	41	372528	(006000–006999)	Hose, Mold, .62 To .75	1
	42	372470	(006000–006999)	Isolator, Box, Relay	2
	43	372508	(006000–006999)	Hose, Fuel, 165mm	1
	44	372504	(006000–006999)	Hose, Valve, Fuel Trim, 325mm	1
	45	372516	(006000–006999)	Fitting, Brs, Adapter	1
	46	372505	(006000–006999)	Hose, Valve, Press Trim, 405mm	1
	47	393905	(006000–006999)	Nut, Manifold, Exhaust	8
	48	393906	(006000–006999)	Stud, Intake To Exhaust Manifold	2
	49	393907	(006000–006999)	Washer, Manifold, Exhaust	–
	50	393898	(006000–006999)	Bolt	3

Fig. 37 – Engine Electronic Fuel Ignition and Vaporizer Group, LPG (006000–006999)

Ref.	Part No.	Serial Number	Description	Qty.
51	393908	(006000–006999)	Stud, Intake Manifold To Cyl Head	1
52	393909	(006000–006999)	Bolt, Intake Manifold	–
53	393910	(006000–006999)	Manifold, Intake	1
54	393911	(006000–006999)	Fitting, Manifold, Intake	1
55	393912	(006000–006999)	Gasket, Manifold, Exhaust	1
56	393913	(006000–006999)	Manifold, Exhaust	1
57	393914	(006000–006999)	Stud, Pipe, Exhaust	2
58	393915	(006000–006999)	Clamp, Manifold	4
59	393916	(006000–006999)	Gasket, Manifold, Intake	1
60	9004539	(006000–006999)	Clamp, Valve, Trim [Impco]	1

STANDARD PARTS

Fig. 38 – Engine Electronic Fuel Ignition and Vaporizer Group, LPG (007000–007486)

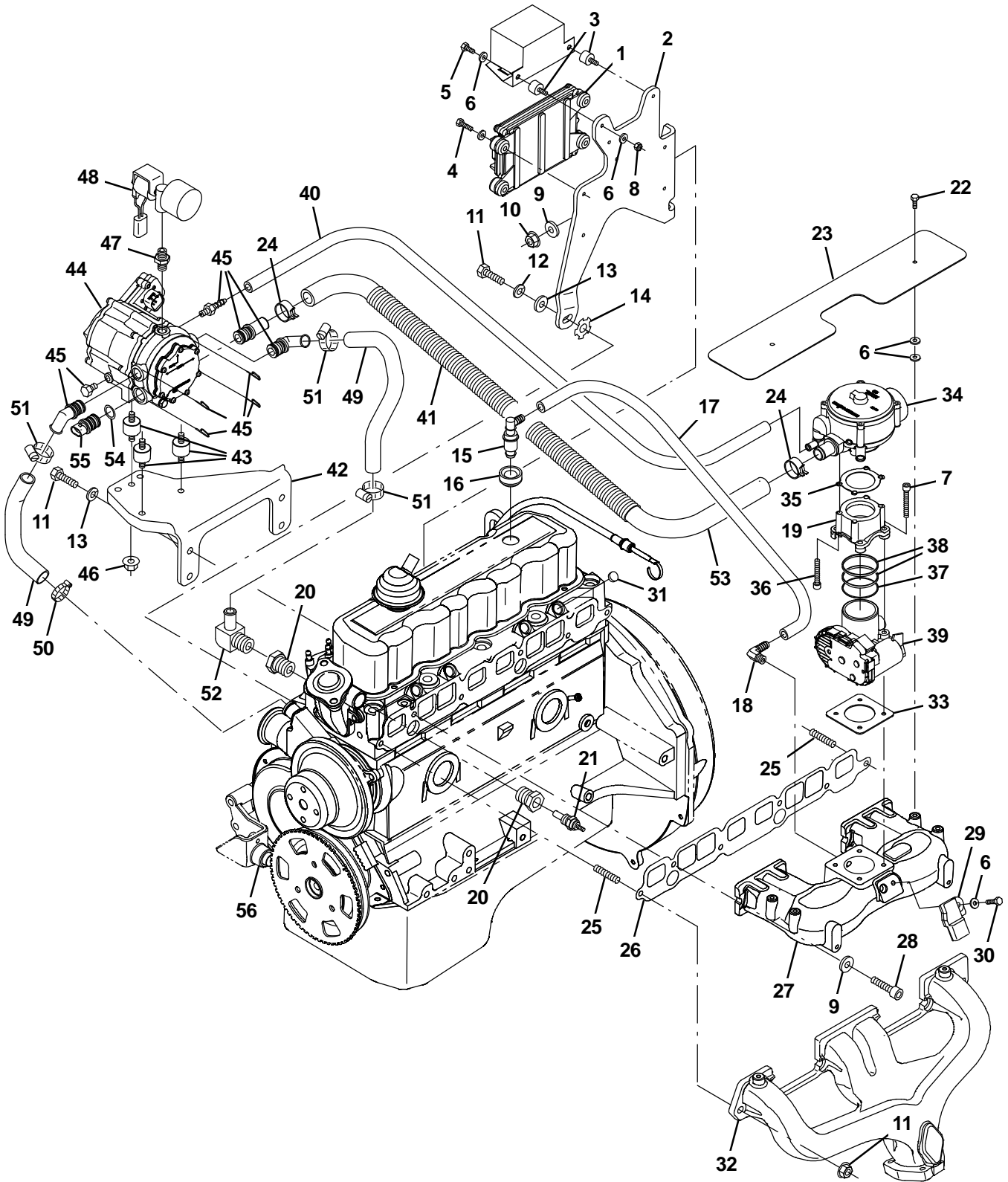


Fig. 38 – Engine Electronic Fuel Ignition and Vaporizer Group, LPG (007000–007486)

Ref.	Part No.	Serial Number	Description	Qty.
1	1032805	(007000–007486)	Module, Ecu, Lpg [Gm3.0l 2007]	1
2	385008	(007000–007486)	Bracket, Box, Relay	1
3	372470	(007000–007486)	Isolator, Box, Relay	2
4	25047	(007000–007486)	Screw, Hex, .25–20 X 1.25, G5	4
5	19315	(007000–007486)	Screw, Hex, .25–20 X 0.50, G5	2
6	32490	(007000–007486)	Washer, Flat, 0.25, Std	13
7	385016	(007000–007486)	Screw, Soc, M6 X 1.00 X 70	4
8	19312	(007000–007486)	Nut, Hex, Std, .25–20	2
9	371877	(007000–007486)	Washer, Flat, 0.38, Hardened	5
10	27980	(007000–007486)	Nut, Hex, Flng, .38–16	3
11	21197	(007000–007486)	Screw, Hex, .38–16 X 1.00, G5	5
12	371877	(007000–007486)	Washer, Flat, 0.38, Hardened	1
13	371509	(007000–007486)	Washer, Lock, 0.38	5
14	371875	(007000–007486)	Washer, Lock, Int / Ext, 0.38	1
15	9006589	(007000–007486)	Valve [Pc]	1
16	393984	(007000–007486)	Grommet	1
17	385001	(007000–007486)	Hose, Fuel, .38d, Rbr[16”L]	1
18	385002	(007000–007486)	Fitting, E90	1
19	384996	(007000–007486)	Adapter, Valve, 400mm [Bosch]	1
20	385000	(007000–007486)	Fitting, Bshg	2
21	372472	(007000–007486)	Sensor, Temp	1
22	385007	(007000–007486)	Screw, M6 X 10mm	2
23	385006	(007000–007486)	Shield, Heat, Manifold	1
24	384979	(007000–007486)	Clamp, Hose, Spring, 0.62d	2
25	372466	(007000–007486)	Stud, .38–16 X 1.2l	2
26	385003	(007000–007486)	Gasket, Manifold, Intake	1
27	385004	(007000–007486)	Manifold, Intake [2007]	1
28	10830	(007000–007486)	Screw, Soc, .38–16 X 1.00, Al	4
29	384985	(007000–007486)	Sensor [T Map]	1
30	19317	(007000–007486)	Screw, Hex, .25–20 X 0.75, G5	1
31	372579	(007000–007486)	Plug, Hole, Injector	4
32	1060653	(007000–007486)	Manifold, Exhaust [Gm3.0l]	1
33	372545	(007000–007486)	Gasket, Body, Throttle [1.6l]	1
34	385012	(007000–007486)	Valve, Lpg [Mixer]	1
35	1037313	(007000–007486)	Gasket, Lpg, Adapter [Gm 2007]	1
36	385017	(007000–007486)	Screw, Soc, #12–24 X 1.50	4
37	1037311	(007000–007486)	Seal, Org, Mixer, Lpg	1
38	1037312	(007000–007486)	Gasket, Lpg, Mixer [Gm 2007]	2
39	384974	(007000–007486)	Housing, Throttle, 40mm [Bosch]	1
40	384973	(007000–007486)	Hose, Supply, Gas, .25id	1
41	384971	(007000–007486)	Cover, Hose	1
42	385014	(007000–007486)	Bracket [Epr]	2
43	384986	(007000–007486)	Isolator [Epr]	3
44	384977	(007000–007486)	Regulator [Ep]	1
45	384978	(007000–007486)	Fitting Kit [Epr]	1
46	385015	(007000–007486)	Nut, Flng, M8	3
47	372529	(007000–007486)	Fitting, Nipple, .25mal	1
48	384975	(007000–007486)	Valve, Lock Off	1
49	372528	(007000–007486)	Hose, Mold, .62 To .75	2
50	63810	(007000–007486)	Clamp, Hose, Wormdrive, 0.56–1.06d, .56w	1

Fig. 38 – Engine Electronic Fuel Ignition and Vaporizer Group, LPG (007000–007486)

Ref.	Part No.	Serial Number	Description	Qty.
51	372539	(007000–007486)	Clamp, Hose, 1.0	3
52	385011	(007000–007486)	Fitting, E90	1
53	385013	(007000–007486)	Hose, Mold [Epr To Mixer]	1
54	1041151	(007000–007486)	Seal, Org, Sensor, Temp [Epr]	1
55	1041152	(007000–007486)	Sensor, Temp [Epr]	1
56	372492	(007000–007486)	Sensor, Spd, Timing Wheel [3.0I]	1

Fig. 39 – Engine EFI Group, LPG (007487–)

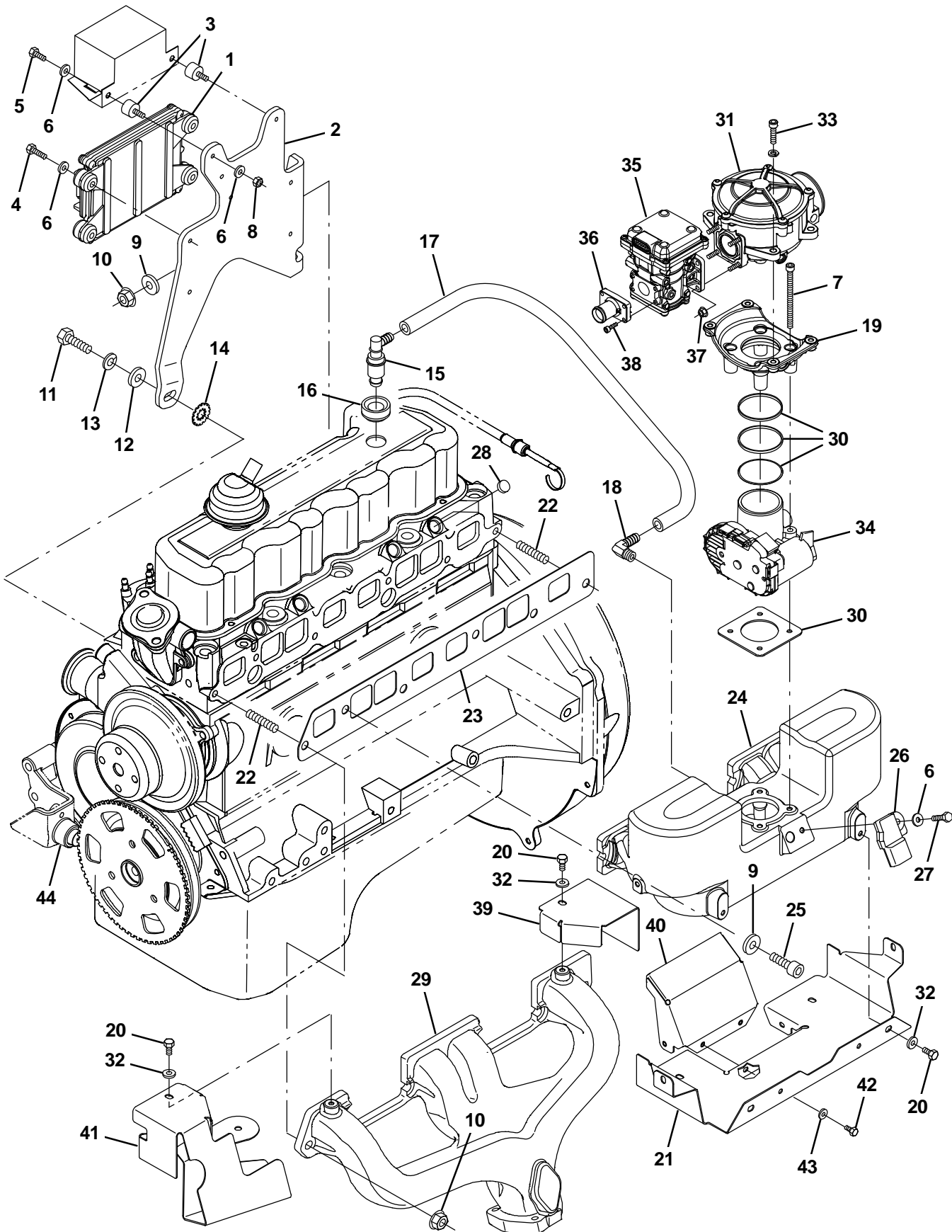


Fig. 39 – Engine EFI Group, LPG (007487–)

Ref.	Part No.	Serial Number	Description	Qty.	
1	1062363	(007487–)	Module, Ecu, Lpg [Gm3.0L 2010]	1	
2	385008	(007487–)	Bracket, Box, Relay	1	
3	372470	(007487–)	Isolator, Box, Relay	2	
4	25047	(007487–)	Screw, Hex, .25–20 X 1.25, G5	4	
5	19315	(007487–)	Screw, Hex, .25–20 X 0.50, G5	2	
6	32490	(007487–)	Washer, Flat, 0.25, Std	9	
7	385016	(007487–)	Screw, Soc, M6 X 1.00 X 70	4	
8	19312	(007487–)	Nut, Hex, Std, .25–20	2	
9	371877	(007487–)	Washer, Flat, 0.38, Hardened	5	
10	27980	(007487–)	Nut, Hex, Flng, .38–16	3	
11	21197	(007487–)	Screw, Hex, .38–16 X 1.00, G5	5	
12	371877	(007487–)	Washer, Flat, 0.38, Hardened	1	
13	371509	(007487–)	Washer, Lock, 0.38	5	
14	371875	(007487–)	Washer, Lock, Int / Ext, 0.38	1	
15	9006589	(007487–)	Valve [Pc]	1	
16	393984	(007487–)	Grommet	1	
17	385001	(007487–)	Hose, Fuel, .38d, Rbr[16”L]	1	
18	385002	(007487–)	Fitting, E90	1	
19	9008803	(007487–)	Adapter, Valve, 400mm [Bosch]	1	
20	87308	(007487–)	Screw, Hex, M6 X 1.00 X 12, 8.8	8	
21	9008799	(007487–)	Shield, Heat [Gm3.0l 2010]	1	
22	372466	(007487–)	Stud, .38–16 X 1.2l	2	
23	385003	(007487–)	Gasket, Manifold, Intake	1	
24	9008194	(007487–)	Manifold, Intake [Gm3.0l 2010]	1	
25	10830	(007487–)	Screw, Soc, .38–16 X 1.00, Al	4	
26	384985	(007487–)	Sensor [T Map]	1	
27	19317	(007487–)	Screw, Hex, .25–20 X 0.75, G5	1	
28	372579	(007487–)	Plug, Hole, Injector	4	
29	1060653	(007487–)	Manifold, Exhaust [Gm3.0l]	1	
30	9003391	(007487–)	Gasket Kit, Repair, Lpg [Gm1.6l 2007]	1	
▽	31	9006618	(007487–)	Mixer , Lpg	1
▲		9010634	(007487–)	Repair Kit, Mixer	1
	32	32483	(007487–)	Washer, Flat, 0.25, Sae	8
	33	385017	(007487–)	Screw, Soc, #12–24 X 1.50	4
	34	384974	(007487–)	Housing, Throttle, 40mm [Bosch]	1
	35	9008806	(007487–)	Regulator, Press, Electronic [Epr]	1
	36	9008807	(007487–)	Fitting, Barb, 3/4” [Epr]	1
	37	9007423	(007487–)	Nut, Flng, M05–0.8	4
	38	9008808	(007487–)	Screw, Soc, M4 X 0.70 X 16	4
	39	9008800	(007487–)	Shield, Heat [Gm3.0l 2010]	1
	40	9008801	(007487–)	Shield, Heat [Gm3.0l 2010]	1
	41	9008802	(007487–)	Shield, Heat, Alternator [Gm3.0l 10]	1
	42	763025	(007487–)	Screw, Hex, M5 X 0.80 X 10, FI	4
	43	19065	(007487–)	Washer, Flat, 0.19b 0.44d .05, PI, 08	4
	44	372492	(007487–)	Sensor, Spd, Timing Wheel [3.0l]	1

Fig. 40 – Engine Vaporizer Group, LPG (007487–)

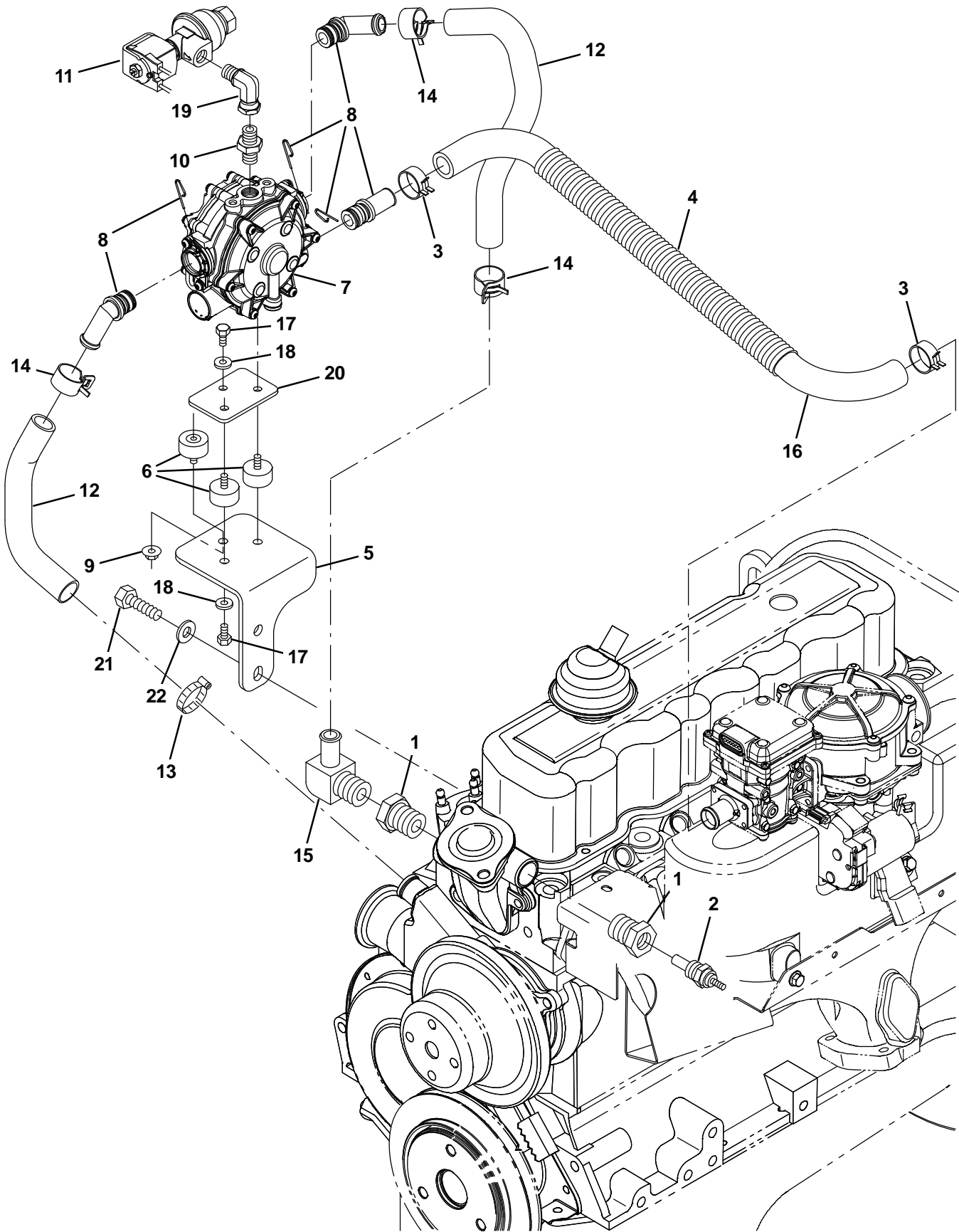


Fig. 40 – Engine Vaporizer Group, LPG (007487–)

Ref.	Part No.	Serial Number	Description	Qty.	
1	385000	(007487–)	Fitting, Bshg	2	
2	372472	(007487–)	Sensor, Temp	1	
3	384979	(007487–)	Clamp, Hose, Spring, 0.62d	2	
4	384971	(007487–)	Cover, Hose	1	
5	9008809	(007487–)	Bracket, Mtg, Isolator [Gm3.0l 2010]	1	
6	9008805	(007487–)	Isolator	3	
7	9008193	(007487–)	Regulator	1	
8	384978	(007487–)	Fitting Kit [Epr]	1	
9	385015	(007487–)	Nut, Fing, M8	1	
10	372529	(007487–)	Fitting, Nipple, .25mal	1	
▽	11	9006620	(007487–)	Valve, Lock Off	1
▲		9007380	(007487–)	Filter Kit, Fuelock,Lpg	1
	12	372528	(007487–)	Hose, Mold, .62 To .75	2
	13	63810	(007487–)	Clamp, Hose, Wormdrive, 0.56–1.06d, .56w	1
	14	372539	(007487–)	Clamp, Hose, 1.0	3
	15	385011	(007487–)	Fitting, E90	1
	16	385013	(007487–)	Hose, Mold [Epr To Mixer]	1
	17	87308	(007487–)	Screw, Hex, M6 X 1.00 X 12, 8.8	3
	18	32483	(007487–)	Washer, Flat, 0.25, Sae	3
	19	11442–1	(007487–)	Fitting, Hyd, E90, Spcl	1
	20	9008804	(007487–)	Plate, Mtg [Epr]	1
	21	21195	(007487–)	Screw, Hex, .38–16 X 0.75, G5	2
	22	32485	(007487–)	Washer, Flat, 0.38, Sae	2

Fig. 41 – Engine Air Cleaner Group (004000–004936)

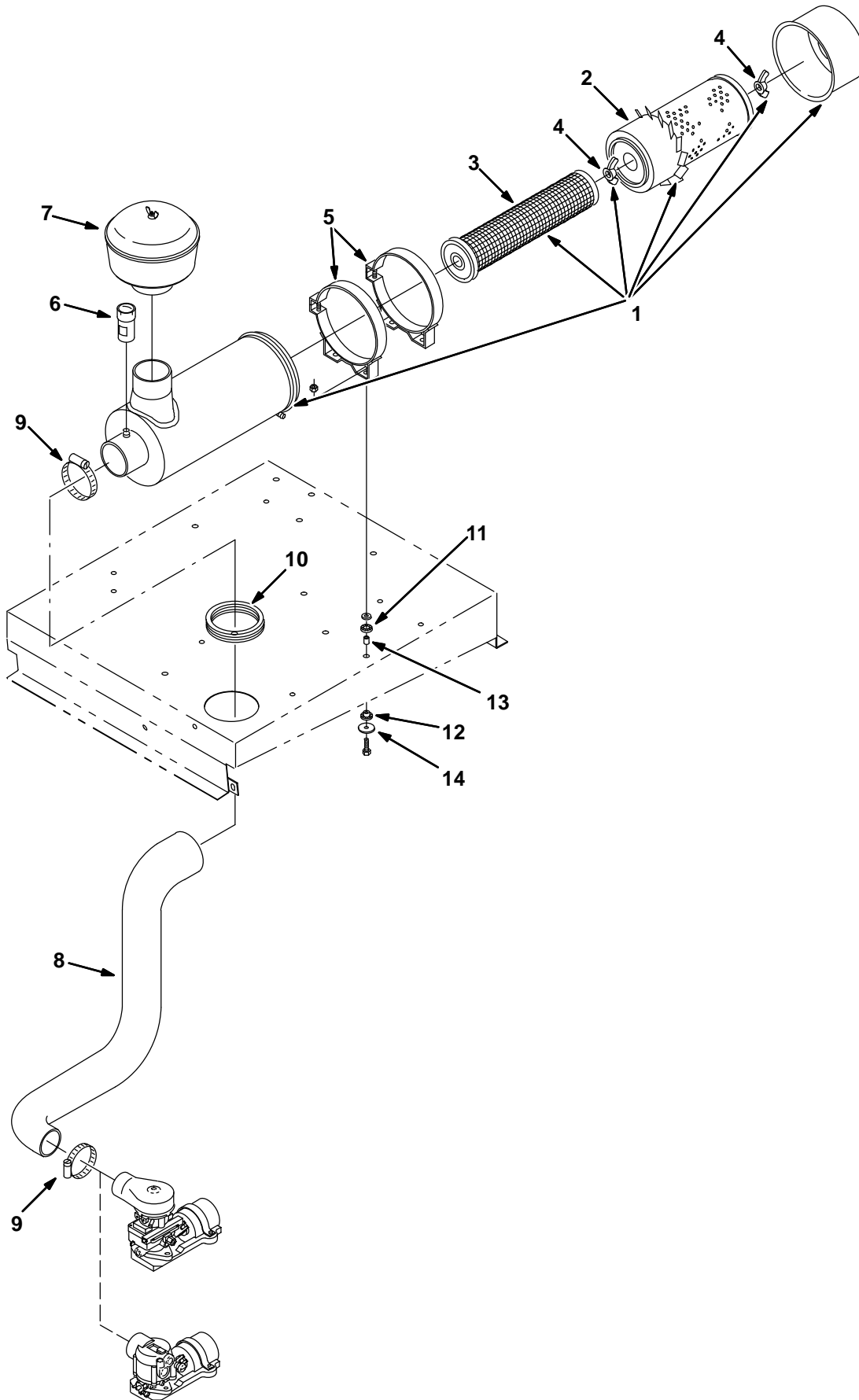


Fig. 41 – Engine Air Cleaner Group (004000–004936)

Ref.	Part No.	Serial Number	Description	Qty.
▽	1	48014	(004000–004936) Cleaner, Air Al Se	1
▲	2	60934	(004000–004936) Element, Air Cleaner	1
▲	3	60933	(004000–004936) Element, Filter Safety	1
▲	4	07562	(004000–004936) Nut,Wing .44–20 Special	2
	5	76321	(004000–004936) Band,Mtg.	2
	6	03026	(004000–004936) Indicator Service Air Filter	1
	7	75666	(004000–004936) Filter, Pre–Cleaner, A/C	1
	8	380592	(004000–004936) Hose, Molded	1
	9	43555	(004000–004936) Clamp–Wormdrive, 1.62– 3.50D	2
	10	380591	(004000–004936) Grommet, Rbr, 3.75ld F/ 4.0H .	1
	11	54527	(004000–004936) Ring, Rubber	4
	12	54528	(004000–004936) Bushing, Rubber	4
	13	45177	(004000–004936) Sleeve	4
	14	41178	(004000–004936) Washer, Fender	4

Fig. 42 – Engine Air Cleaner Group (004937–005999)

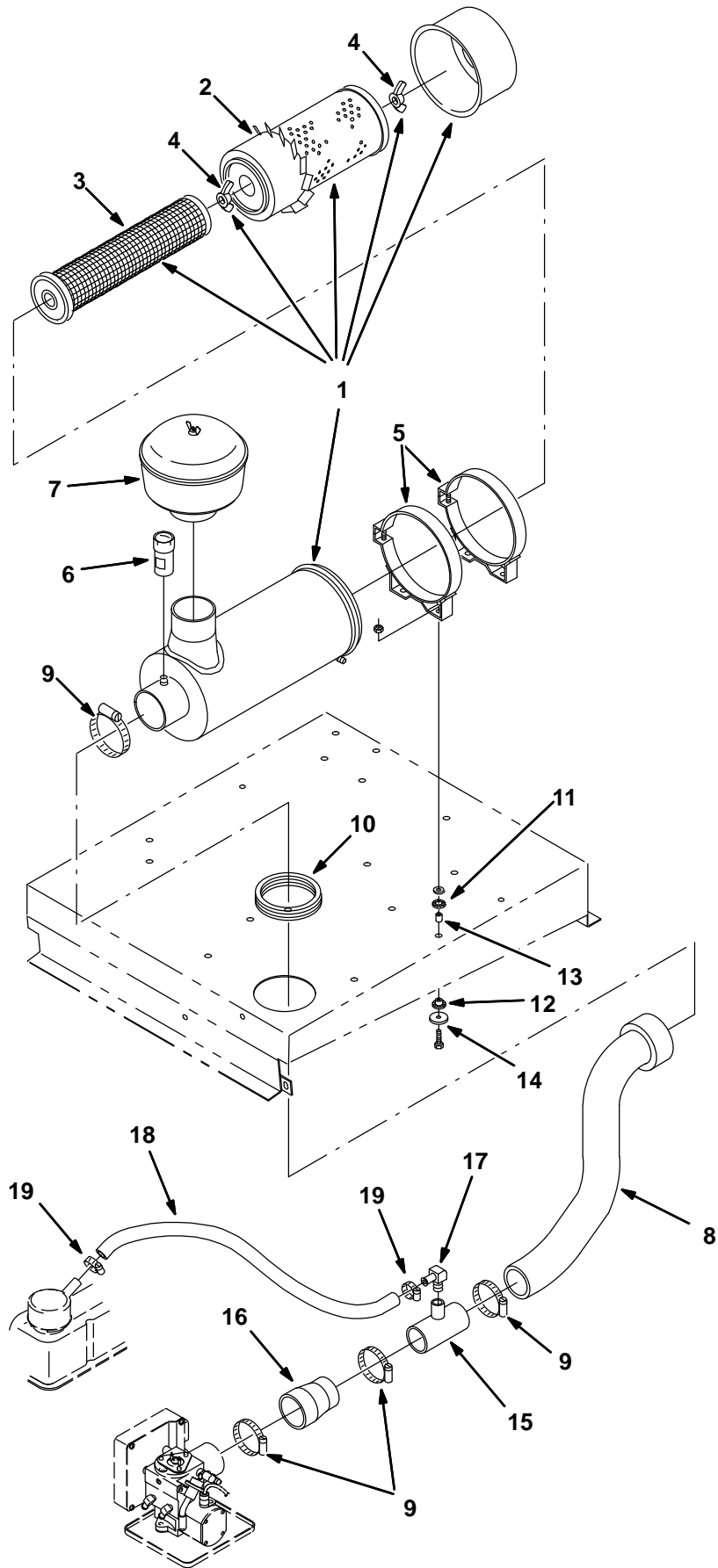


Fig. 42 – Engine Air Cleaner Group (004937–005999)

	Ref.	Part No.	Serial Number	Description	Qty.
▽	1	48014	(004937–005999)	Cleaner, Air Al Se	1
▲	2	60934	(004937–005999)	Element, Air Cleaner	1
▲	3	60933	(004937–005999)	Element, Filter Safety	1
▲	4	07562	(004937–005999)	Nut,Wing .44–20 Special	2
	5	76321	(004937–005999)	Band,Mtg.	2
	6	03026	(004937–005999)	Indicator Service Air Filter	1
	7	75666	(004937–005999)	Filter, Pre–Cleaner, A/C	1
	8	393208	(004937–005999)	Hose, Molded	1
	9	43555	(004937–005999)	Clamp–Wormdrive, 1.62– 3.50D	4
	10	380591	(004937–005999)	Grommet, Rbr, 3.75ld F/ 4.0H .	1
	11	54527	(004937–005999)	Ring, Rubber	4
	12	54528	(004937–005999)	Bushing, Rubber	4
	13	45177	(004937–005999)	Sleeve	4
	14	41178	(004937–005999)	Washer, Fender	4
	15	393207	(004937–005999)	Tube Wldt, Intake, 2.0d .38npt	1
	16	393205	(004937–005999)	Tube, Intake, 2.0d 04.0l	1
	17	51839	(004937–005999)	Fitting, Brs, E90, Em10/Pm06	1
	18	72978	(004937–005999)	Hose, Heater, 0.62id 13.0l	1
	19	63810	(004937–005999)	Clamp, Hose, Wormdrive, 0.56–1.06d	2

Fig. 43 – Engine Air Cleaner Group, Gas (006000–006999)

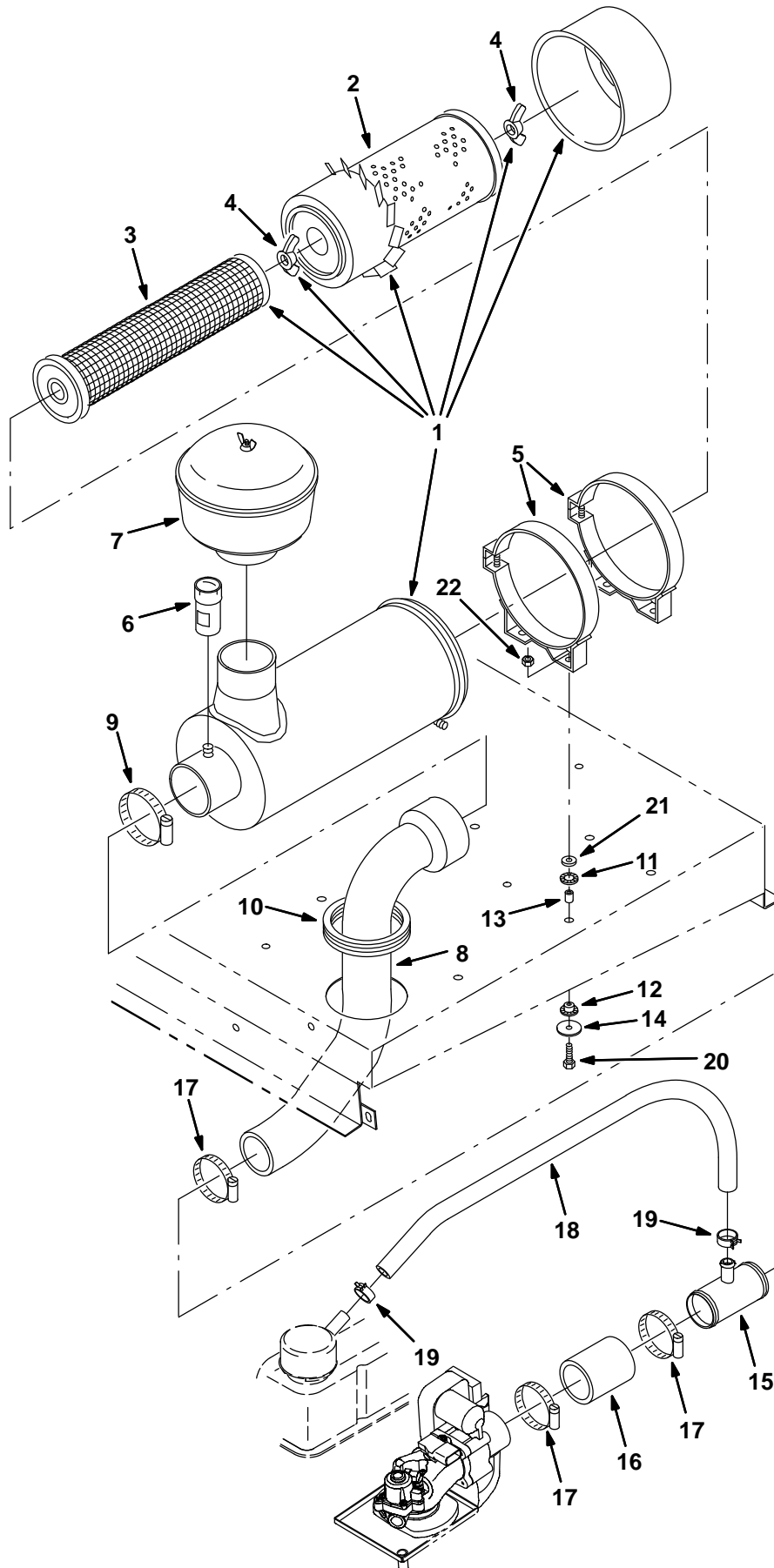


Fig. 43 – Engine Air Cleaner Group, Gas (006000–006999)

Ref.	Part No.	Serial Number	Description	Qty.
▽	1	48014	(006000–006999) Cleaner, Air Al Se	1
▲	2	60934	(006000–006999) Element, Air Cleaner	1
▲	3	60933	(006000–006999) Element, Filter Safety	1
▲	4	07562	(006000–006999) Nut,Wing .44–20 Special	2
	5	76321	(006000–006999) Band,Mtg.	2
	6	03026	(006000–006999) Indicator Service Air Filter	1
	7	75666	(006000–006999) Filter, Pre–Cleaner, A/C	1
	8	393208	(006000–006999) Hose, Molded	1
	9	43555	(006000–006999) Clamp–Wormdrive, 1.62– 3.50D	1
	10	380591	(006000–006999) Grommet, Rbr, 3.75ld F/ 4.0H .	1
	11	54527	(006000–006999) Ring, Rubber	4
	12	54528	(006000–006999) Bushing, Rubber	4
	13	45177	(006000–006999) Sleeve	4
	14	41178	(006000–006999) Washer, Fender	4
	15	1011780	(006000–006999) Tube Wldt, Tee	1
	16	15543	(006000–006999) Hose, Rbr, 2.00id 2.50od 03.0l	1
	17	83584	(006000–006999) Clamp, Hose, Wormdrive, 1.31–3.25d	1
	18	13124	(006000–006999) Hose, Heater, 0.62id 18.0l	1
	19	1011899	(006000–006999) Clamp, Hose, Spring Stl, 0.86d X 0.38w	2
	20	06944	(006000–006999) Screw, Hex, M6 X 1.0 X 25, 8.8	1
	21	32490	(006000–006999) Washer, Flat, 0.25 Std	1
	22	08708	(006000–006999) Nut, Hex, Lock, M6 X 1.0, NI	1

Fig. 44 – Engine Air Cleaner Group, Gas (007000–)

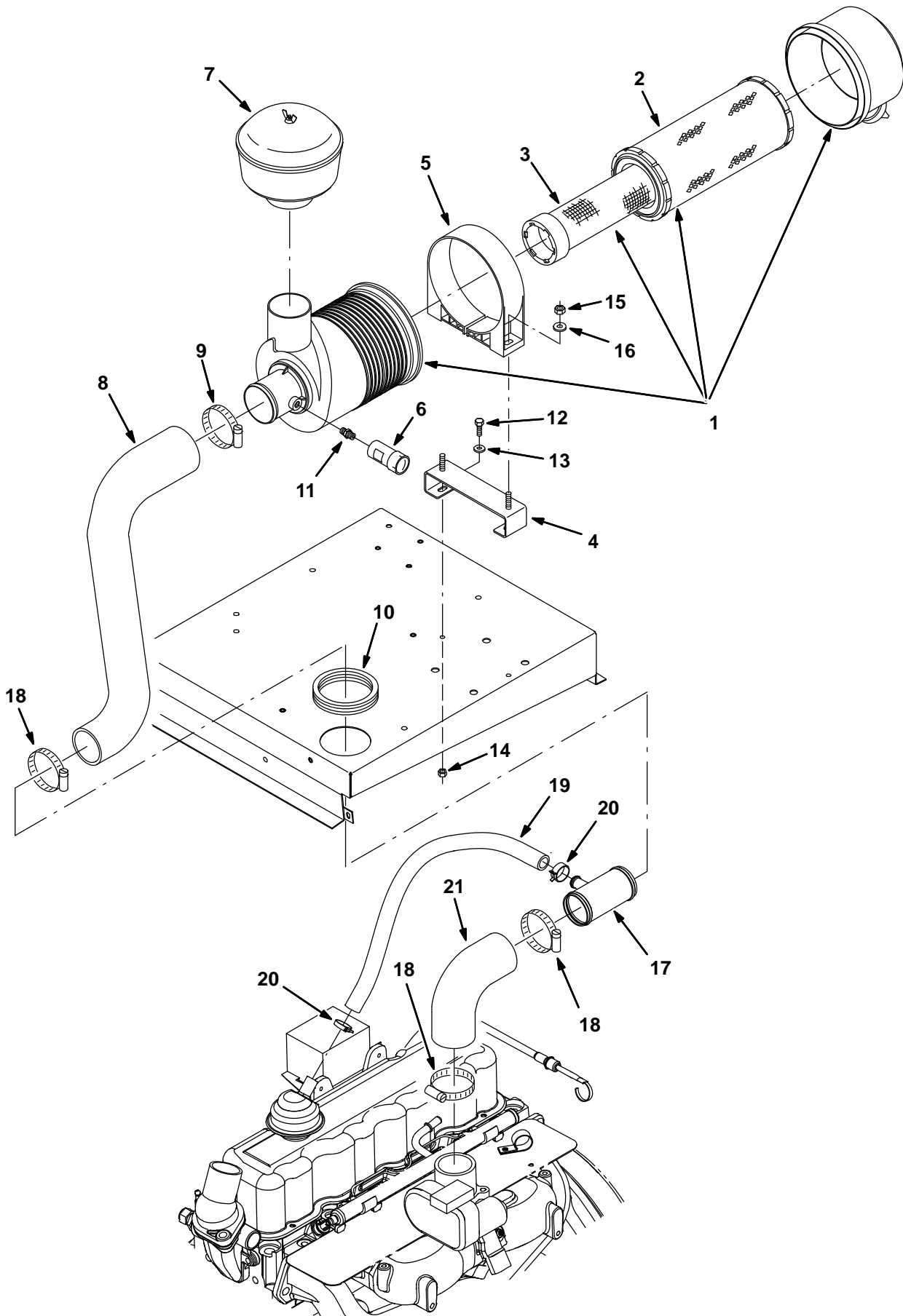


Fig. 44 - Engine Air Cleaner Group, Gas (007000-)

Ref.	Part No.	Serial Number	Description	Qty.
▽	1	1013344	(007000-) Filter Assy, Air, 3.0 Inlet	1
▲	2	372652	(007000-) Element, Fltr, Air [Dn]	1
▲	3	372651	(007000-) Element, Fltr, Air	1
	4	1012754	(007000-008088) Bracket, Stand-Off, Fltr, Air	2
	4	1073802	(008089-) Bracket, Stand-Off, Fltr, Air [800 B/Gr]	2
	5	1013366	(007000-) Strap, Mtg, Fltr, Air, 7.17id	2
	6	03026	(007000-) Indicator, Service, Fltr, Air [20h20 Dn]	1
	7	75666	(007000-) Filter, Air, Pre-Cln, A/C	1
	8	393208	(007000-) Hose, Intake, Mold, Rwk 380592	1
	9	1067656	(007000-) Clamp, Hose, Wormdrive, 3.25-4.00d, .50w	1
	10	380591	(007000-) Grommet, Rbr, 3.25id, F/3.5h, .06 Matl	1
	11	51560-5	(007000-) Fitting, Brs, Str, Pm02, Service	1
	12	06949	(007000-) Screw, Hex, M6 X 1.0 X 50, 8.8	2
	13	19066	(007000-) Washer, Flat, #10	2
	14	07791	(007000-) Nut, Hex, Flng, M8 X 1.25	2
	15	08709	(007000-) Nut, Hex, Lock, M8 X 1.25, NI	2
	16	32491	(007000-) Washer, Flat, 0.31, Std	2
	17	1011780	(007000-) Tube Wldt, Tee	1
	18	83584	(007000-) Clamp, Hose, Wormdrive, 2.25-3.25d, .50w	3
	19	393373	(007000-) Hose, Heater, 0.62id, 024.0l	1
	20	1011899	(007000-) Clamp, Hose, Spring Stl, 0.86d X 0.38w	2
	21	76825	(007000-) Hose, Rbr, E90, 2.00id 2.00id 03.5 03.5	1

Fig. 45 – Engine Air Cleaner Group, LPG (006000–006999)

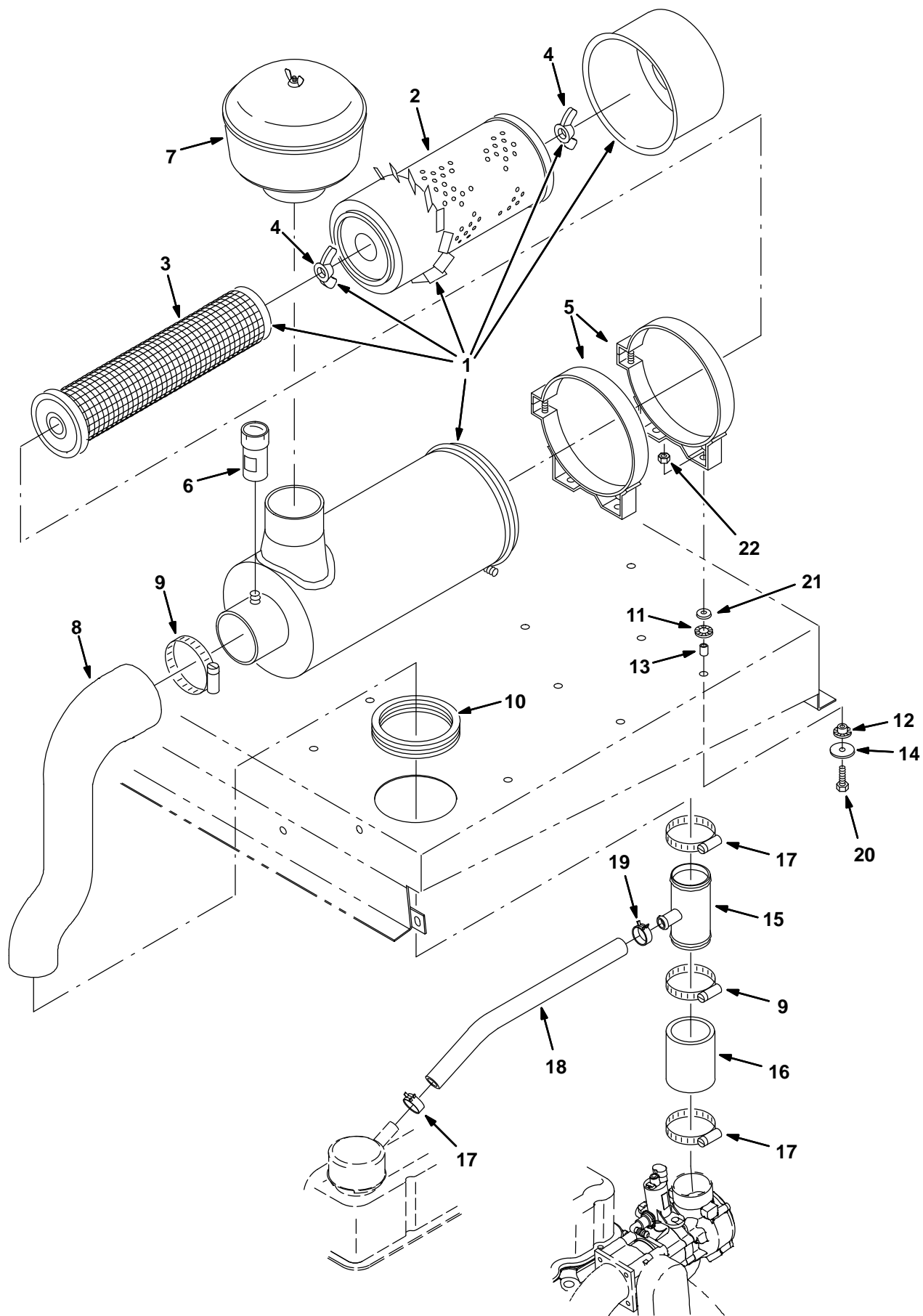


Fig. 45 - Engine Air Cleaner Group, LPG (006000-006999)

Ref.	Part No.	Serial Number	Description	Qty.
▽	1	48014	(006000-006999) Cleaner, Air Al Se	1
▲	2	60934	(006000-006999) Element, Air Cleaner	1
▲	3	60933	(006000-006999) Element, Filter Safety	1
▲	4	07562	(006000-006999) Nut,Wing .44-20 Special	2
	5	76321	(006000-006999) Band,Mtg.	2
	6	03026	(006000-006999) Indicator Service Air Filter	1
	7	75666	(006000-006999) Filter, Pre-Cleaner, A/C	1
	8	1011702	(006000-006999) Hose, Molded	1
	9	43555	(006000-006999) Clamp-Wormdrive, 1.62- 3.50D	1
	10	380591	(006000-006999) Grommet, Rbr, 3.75ld F/ 4.0H .	1
	11	54527	(006000-006999) Ring, Rubber	4
	12	54528	(006000-006999) Bushing, Rubber	4
	13	45177	(006000-006999) Sleeve	4
	14	41178	(006000-006999) Washer, Fender	4
	15	1011780	(006000-006999) Tube Wldt, Tee	1
	16	15543	(006000-006999) Hose, Rbr, 2.00id 2.50od 03.0l	1
	17	83584	(006000-006999) Clamp, Hose, Wormdrive, 1.31-3.25d, .50w	3
	18	393373	(006000-006999) Hose, Heater, 0.62id 24.0l	1
	19	1011899	(006000-006999) Clamp, Hose, Spring Stl, 0.86d X 0.38w	2
	20	06944	(006000-006999) Screw, Hex, M6 X 1.0 X 25, 8.8	1
	21	32490	(006000-006999) Washer, Flat, 0.25 Std	1
	22	08708	(006000-006999) Nut, Hex, Lock, M6 X 1.0, NI	1

Fig. 46 – Engine Air Cleaner Group, LPG (007000–)

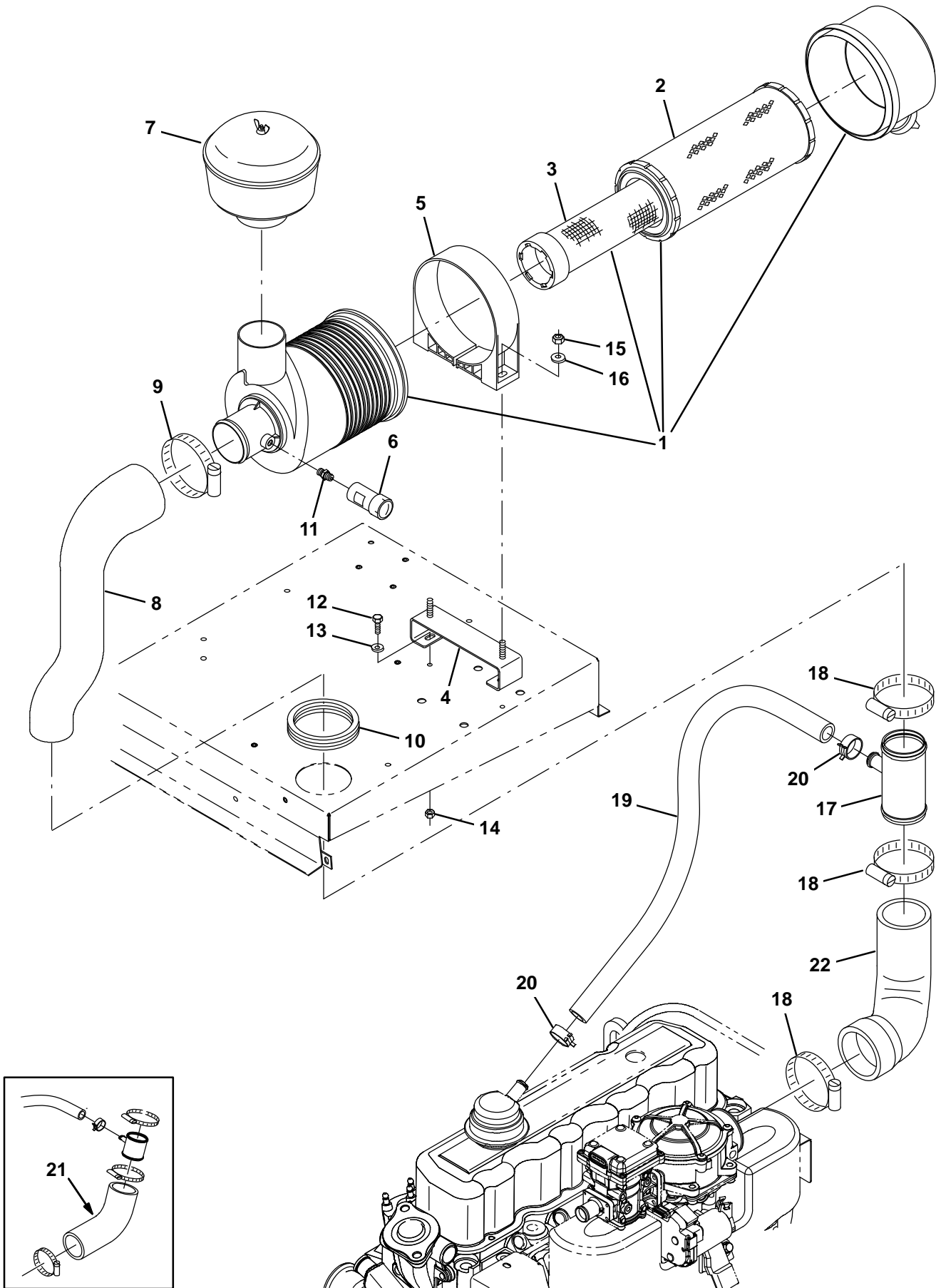


Fig. 46 – Engine Air Cleaner Group, LPG (007000–)

Ref.	Part No.	Serial Number	Description	Qty.
▽	1	1013344	(007000–) Filter Assy, Air, 3.0 Inlet	1
▲	2	372652	(007000–) Element, Fltr, Air [Dn]	1
▲	3	372651	(007000–) Element, Fltr, Air	1
	4	1012754	(007000–008088) Bracket, Stand–Off, Fltr, Air	2
	4	1073802	(008089–) Bracket, Stand–Off, Fltr, Air [800 B/Gr]	2
	5	1013366	(007000–) Strap, Mtg, Fltr, Air, 7.17id	2
	6	03026	(007000–) Indicator, Service, Fltr, Air [20h20 Dn]	1
	7	75666	(007000–) Filter, Air, Pre–Cln, A/C	1
	8	1011702	(007000–) Hose, Intake, Mold, 3.00id 2.00id [Epdm]	1
	9	1067656	(007000–) Clamp, Hose, Wormdrive, 3.25–4.00d, .50w	1
	10	380591	(007000–) Grommet, Rbr, 3.25id, F/3.5h, .06 Matl	1
	11	51560–5	(007000–) Fitting, Brs, Str, Pm02, Service	1
	12	06949	(007000–) Screw, Hex, M6 X 1.0 X 50, 8.8	2
	13	19066	(007000–) Washer, Flat, #10	2
	14	07791	(007000–) Nut, Hex, Flng, M8 X 1.25	2
	15	08709	(007000–) Nut, Hex, Lock, M8 X 1.25, NI	2
	16	32491	(007000–) Washer, Flat, 0.31, Std	2
	17	1011780	(007000–) Tube Wldt, Tee	1
	18	83584	(007000–) Clamp, Hose, Wormdrive, 2.25–3.25d, .50w	3
	19	393373	(007000–) Hose, Heater, 0.62id, 024.0l	1
	20	1011899	(007000–) Clamp, Hose, Spring Stl, 0.86d X 0.38w	2
	21	1032032	(007000–007486) Hose, Intake, Mold, 2.00id [Epdm]	1
	22	1062545	(007487–) Hose, Intake, Mold, 2.0id X 2.26id[Epdm]	1

Fig. 47 – Engine Muffler Group (004000–004936)

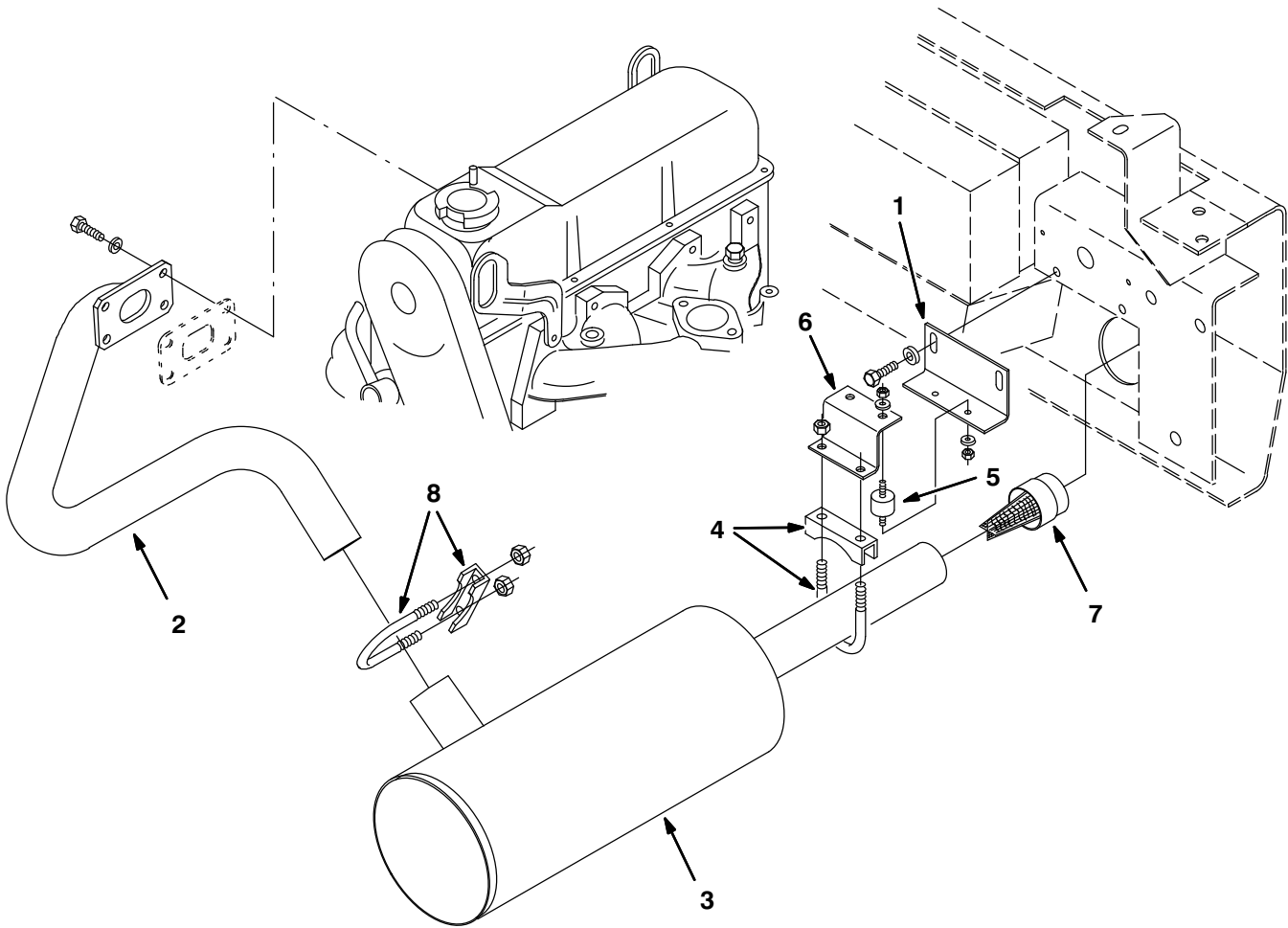


Fig. 47 – Engine Muffler Group (004000–004936)

Ref.	Part No.	Serial Number	Description	Qty.
1	21138	(004000–004936)	Bracket, Tail Pipe	1
2	70631	(004000–004936)	Pipe Wldt, Exhaust, Gas/Lpg	1
3	76383	(004000–004936)	Muffler, Exhaust	1
4	05881	(004000–004936)	Clamp–Muffler,For 2.00 Od Tube	1
5	82661	(004000–004936)	Isolator–Vibration .25–20	2
6	21136	(004000–004936)	Bracket, Tail Pipe	1
7	70832	(004000–004936)	Screen, Muffler	1
8	05880	(004000–004936)	Clamp–Muffler,For 1.87 Od Tube	1

Fig. 48 – Engine Muffler Group, Catalytic (004937–005999)

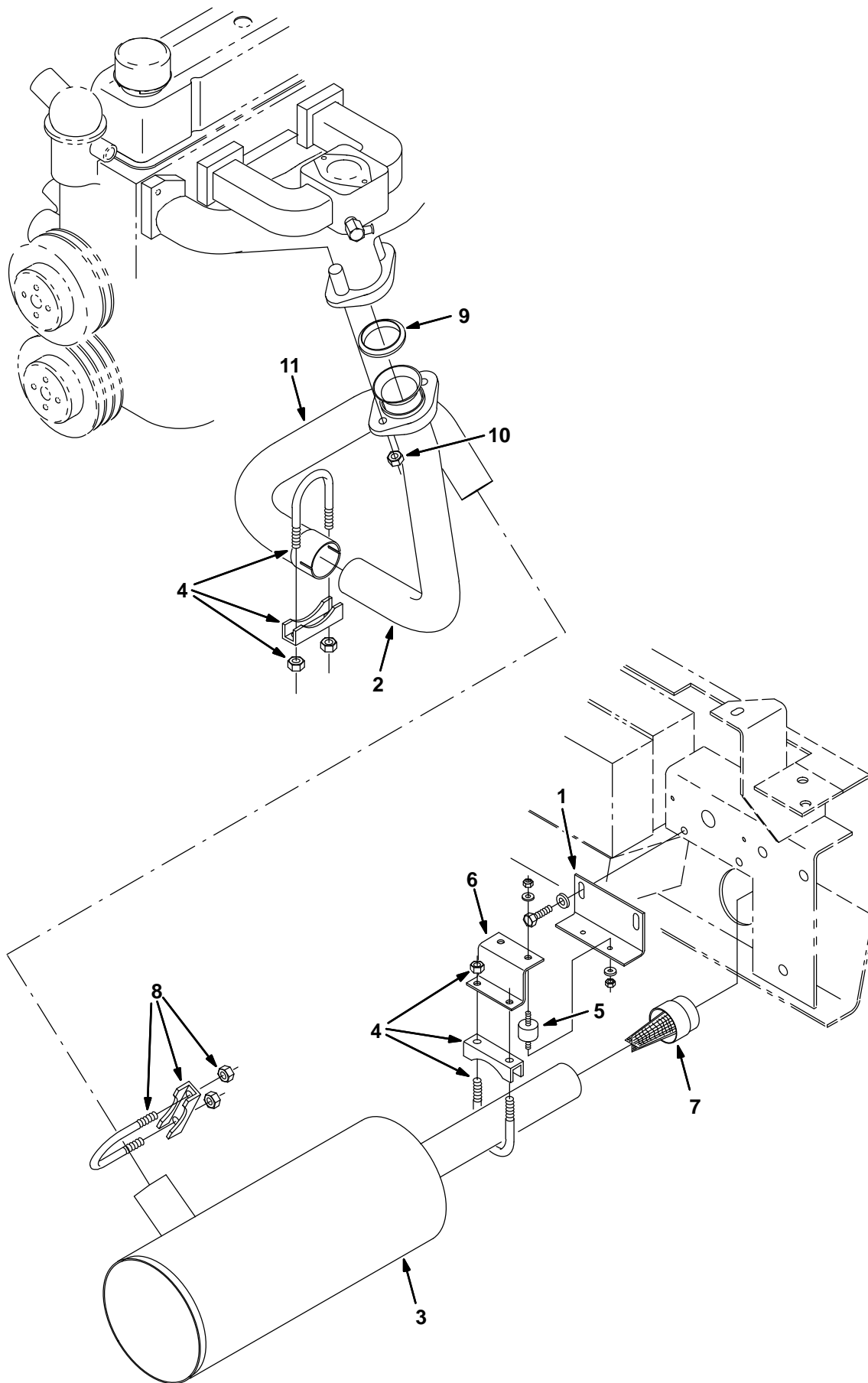


Fig. 48 – Engine Muffler Group, Catalytic (004937–005999)

Ref.	Part No.	Serial Number	Description	Qty.
1	21138	(004937–005999)	Bracket, Tail Pipe	1
2	393253	(004937–005999)	Tube, Exhaust, 2.0d [Gm3.0] [800/810]	1
3	76383	(004937–005999)	Muffler, Exhaust	1
4	05881	(004937–005999)	Clamp–Muffler,For 2.00 Od Tube	2
5	82661	(004937–005999)	Isolator–Vibration .25–20	2
6	21136	(004937–005999)	Bracket, Tail Pipe	1
7	70832	(004937–005999)	Screen, Muffler	1
8	05880	(004937–005999)	Clamp–Muffler,For 1.87 Od Tube	1
9	371573	(004937–005999)	Gasket	1
10	25014	(004937–005999)	Nut, Hex, Std, .38–16	2
11	393252	(004937–005999)	Tube, Exhaust, 2.0d [Gm3.0] [800/810]	1

Fig. 49 – Engine Muffler Group, Catalytic (006000–006999)

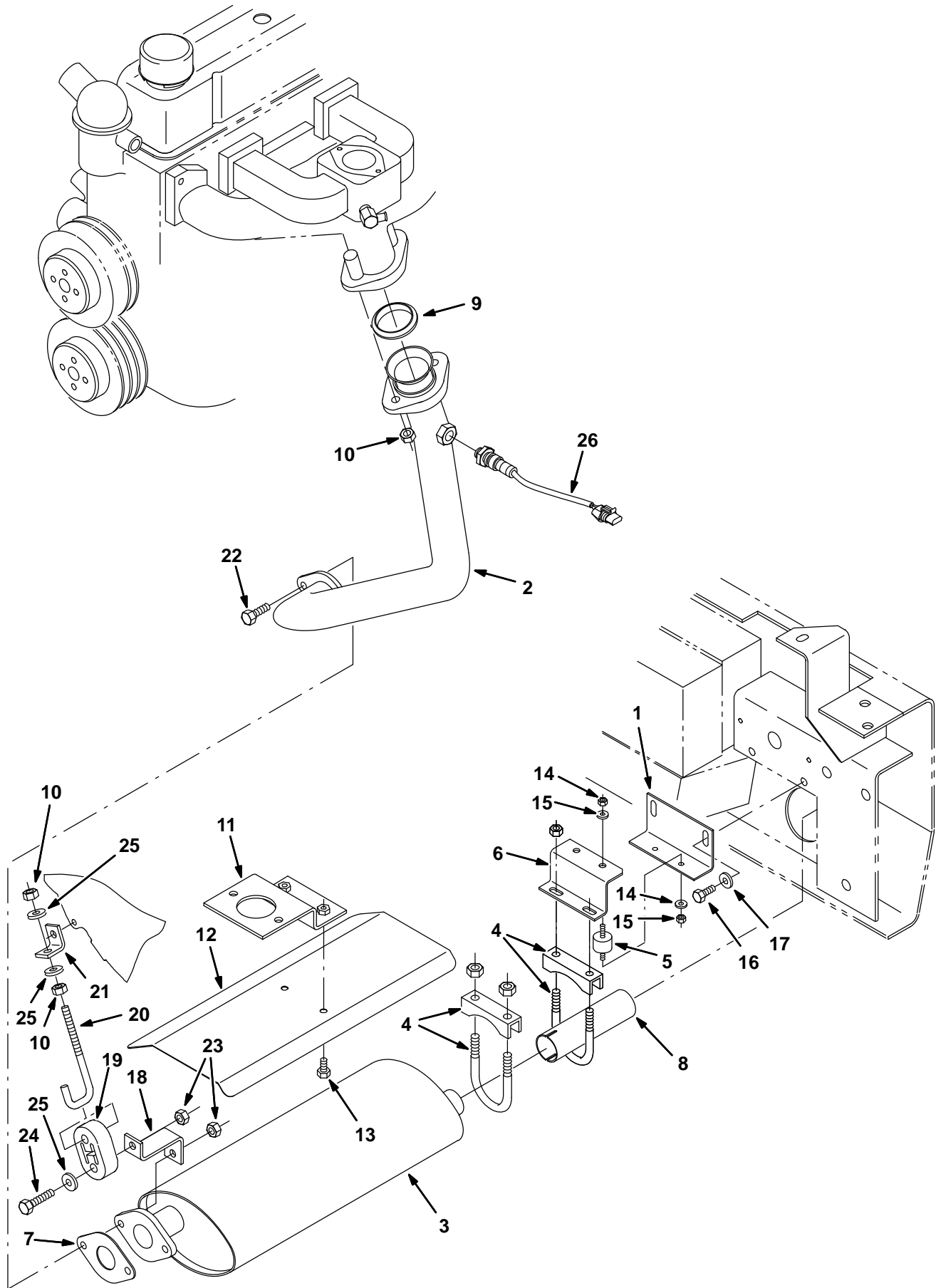


Fig. 49 – Engine Muffler Group, Catalytic (006000–006999)

Ref.	Part No.	Serial Number	Description	Qty.
1	21138	(006000–006999)	Bracket, Tail Pipe	1
2	1011944	(006000–006999)	Tube, Exhaust, 2.0d [Gm3.0] [800/810]	1
3	1011259	(006000–006999)	Muffler, Catalytic [Gm 1.6/3.0]	1
4	24012	(006000–006999)	Clamp, Muffler, 1.62d	2
5	1013588	(006000–006999)	Isolator, Vib, Ring, 1.0d .25–20/.25–20	2
6	1012012	(006000–006999)	Bracket, Tailpipe	1
7	1011216	(006000–006999)	Gasket, Exhaust, 2 Hole, 3.4bc	1
8	1011959	(006000–006999)	Tube, Exhaust, Rear	1
9	371573	(006000–006999)	Gasket	1
10	25014	(006000–006999)	Nut, Hex, Std, .38–16	4
11	1012990	(006000–006999)	Bracket, Mtg, Heat Shield	1
12	1012999	(006000–006999)	Shield, Heat	1
13	16735	(006000–006999)	Screw, Hex, M8 X 1.25 X 16, 8.8	2
14	19312	(006000–006999)	Nut, Hex, Std, .25–20	4
15	32982	(006000–006999)	Washer, Lock, Int, 0.25	4
16	16931	(006000–006999)	Screw, Hex, M8 X 1.25 X 20, 8.8	2
17	32491	(006000–006999)	Washer, Flat, 0.31 Std	2
18	1013116	(006000–006999)	Bracket, Isolator	1
19	1013031	(006000–006999)	Isolator, Rubber	1
20	1013117	(006000–006999)	Rod, Hanger, Isolator	1
21	1013113	(006000–006999)	Bracket, Mtg, Isolator	1
22	03192	(006000–006999)	Screw, Hex, M10 X 1.5 X 30, 8.8	2
23	08166	(006000–006999)	Nut, Hex, Stover, M10 X 1.5	3
24	06962	(006000–006999)	Screw, Hex, M10 X 1.5 X 45, 8.8	1
25	32492	(006000–006999)	Washer, Flat, 0.38 Std	3
26	372491	(006000–006999)	Sensor, Oxygen	1

Fig. 50 – Engine Muffler Group, Catalytic (007000–)

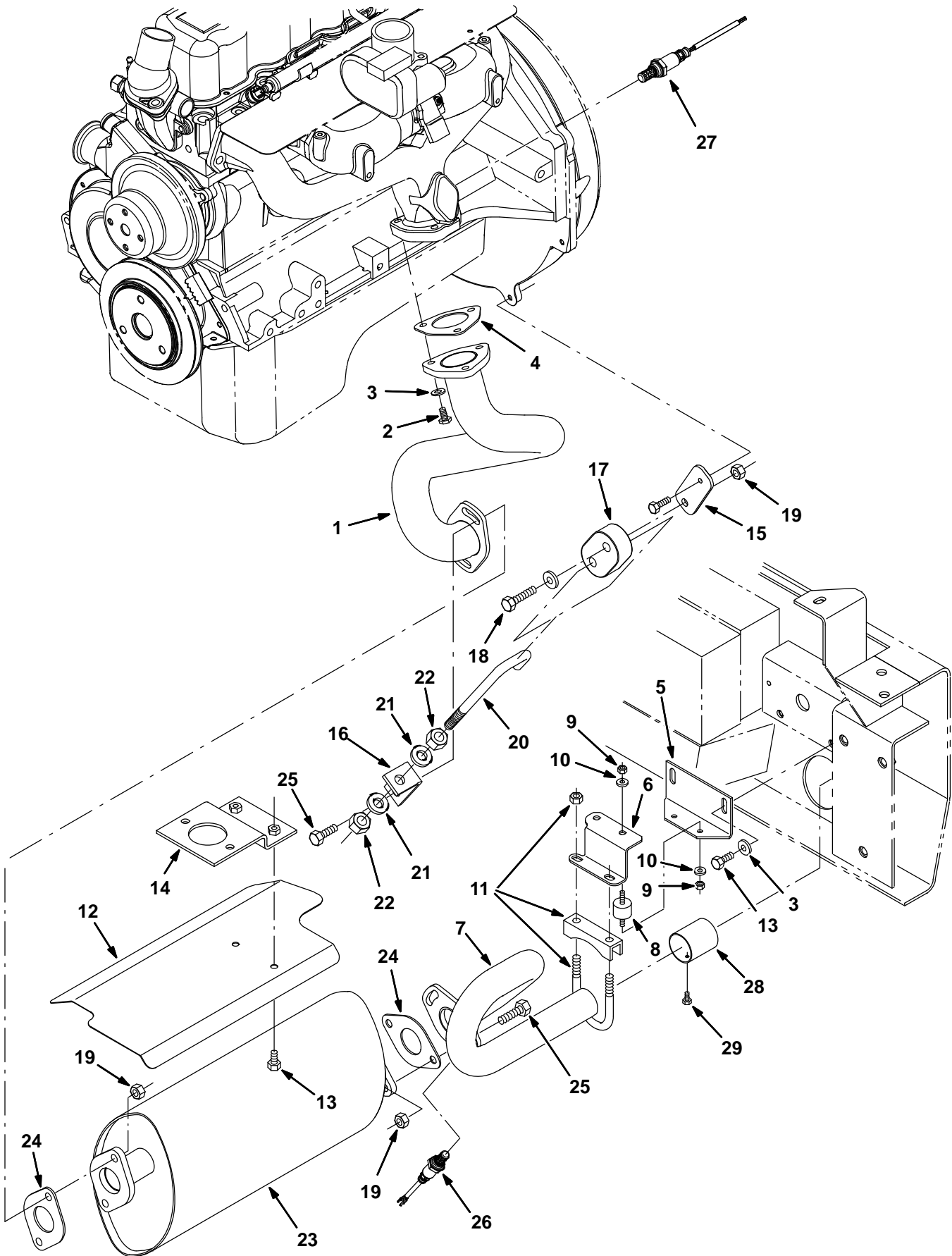


Fig. 50 – Engine Muffler Group, Catalytic (007000–)

Ref.	Part No.	Serial Number	Description	Qty.
1	1032083	(007000–)	Tube, Exhaust, Lower, [800/810, 2007]	1
2	76570	(007000–)	Screw, Hex, M8 X 1.25 X 30, 8.8	3
3	32491	(007000–)	Washer, Flat, 0.31, Std	5
4	1060286	(007000–)	Gasket, Flng, Exhaust [Gm3.0l]	1
5	1030502	(007000–)	Bracket, Tailpipe [800/810 2007]	1
6	1030501	(007000–)	Bracket, Tailpipe [800/810 2007]	1
7	1029996	(007000–)	Tube, Exhaust, Rear [Gm3.0l 800/810 07]	1
8	82661	(007000–)	Isolator, Vib, Ring, 1.0d .25–20/.25–20	2
9	19312	(007000–)	Nut, Hex, Std, .25–20	4
10	32982	(007000–)	Washer, Lock, Int, 0.25	4
11	24012	(007000–)	Clamp, Muffler, 1.62d	1
12	1028836	(007000–)	Shield, Heat	1
13	16931	(007000–)	Screw, Hex, M8 X 1.25 X 20, 8.8	4
14	1028835	(007000–)	Bracket, Mtg, Heat Shield	1
15	1030122	(007000–)	Link, 0.18, 1.5w 03.6l, 1/0.4h 1/0.3h	1
16	1030134	(007000–)	Bracket, Mtg, Isolator [800/810 07]	1
17	1013031	(007000–)	Isolator, Rbr	1
18	06962	(007000–)	Screw, Hex, M10 X 1.5 X 45, 8.8	1
19	08166	(007000–)	Nut, Hex, M10 X 1.50 [Stover]	5
20	1032142	(007000–)	Rod, Hanger, Isolator	1
21	32492	(007000–)	Washer, Flat, 0.38, Std	2
22	25014	(007000–)	Nut, Hex, Std, .38–16	2
23	1030533	(007000–007486)	Muffler, Catalytic [Gm 3.0l 2007]	1
23	1062668	(007487–)	Muffler, Catalytic [Gm 3.0l 2010]	1
24	1011216	(007000–)	Gasket, Exhaust, 2hole, 3.4bc	2
25	39284	(007000–)	Screw, Hex, M10 X 1.5 X 35, 8.8	4
26	1028558	(007000–)	Sensor, Exhaust, Tailpipe	1
27	1028559	(007000–007486)	Sensor, Oxygen [Gm 1.6l/3.0l 2007]	1
27	1028558	(007487–)	Sensor, Oxygen [Gm 1.6l/3.0l 2007]	1
28	1038293	(007000–)	Tube, Tailpipe	1
29	01706	(007000–)	Screw, Hex, #08–32 X 0.38, Tcut	1

Fig. 51 – Engine Fuel Tank Group, Gas (004000–004936)

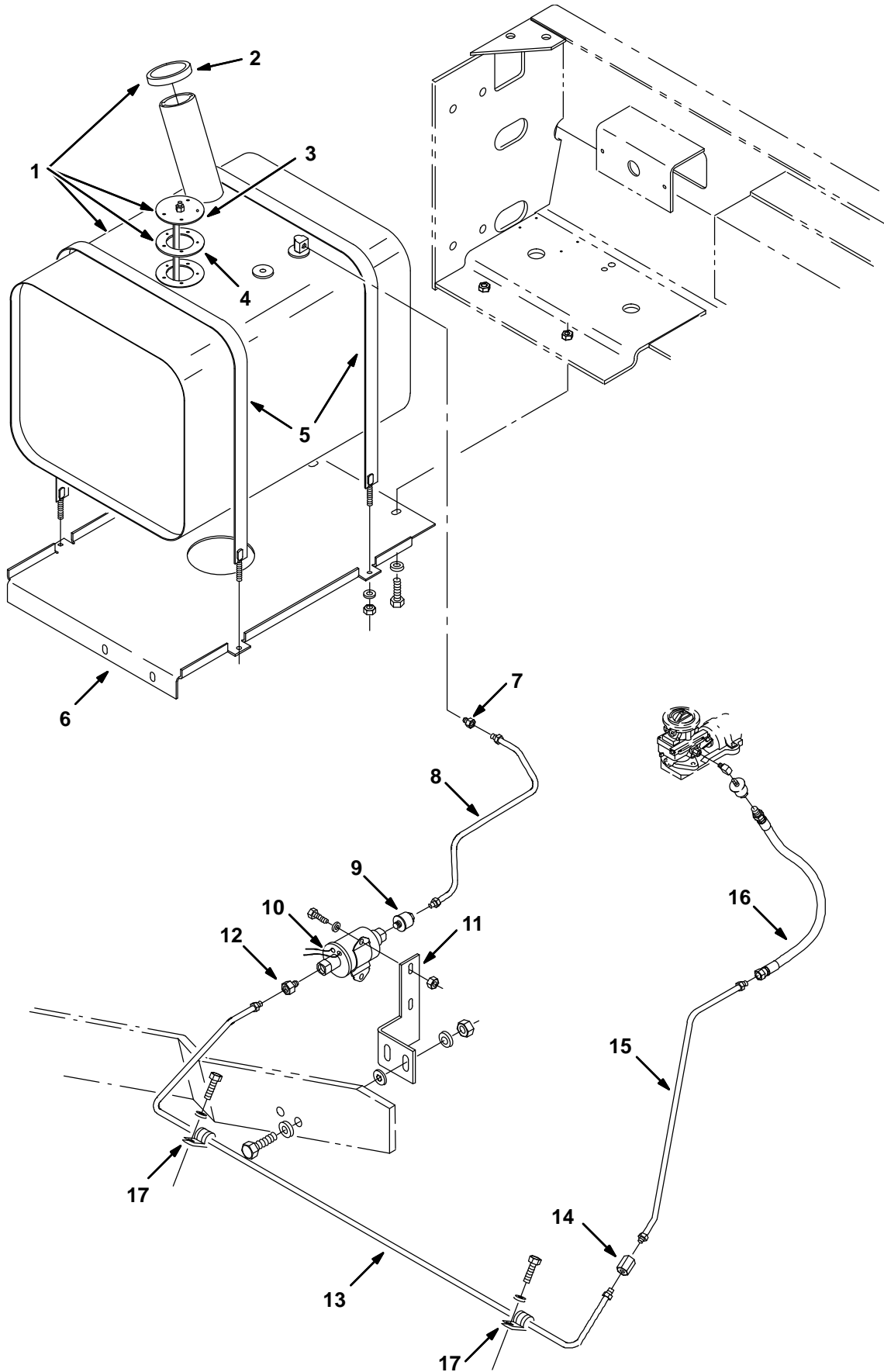


Fig. 51 - Engine Fuel Tank Group, Gas (004000-004936)

	Ref.	Part No.	Serial Number	Description	Qty.
▽	1	76907	(004000-004936)	Tank, Fuel	1
▲	2	48267	(004000-004936)	Cap, Fuel	1
▲	3	21731	(004000-004936)	Send Unit	1
▲	4	21732	(004000-004936)	Gasket, 2.7D 1.5B.12T 5/ 2.1Bc	1
	5	87396	(004000-004936)	Strap Weldmt, Gas Tank	2
	6	70477	(004000-004936)	Plate, Mounting, Tank, Gas	1
	7	78043	(004000-004936)	Fitting-Brs Str	1
	8	77558	(004000-004936)	Fuelline, .312 Od	1
	9	36050	(004000-004936)	Filter, Fuel	1
	10	59015	(004000-004936)	Pump, Fuel	1
	11	75854	(004000-004936)	Bracket, Pump, Fuel	1
	12	40585	(004000-004936)	Ftg-Brs Str lf05/Pm02	1
	13	83644	(004000-004936)	Fuelline, .312 Od	1
	14	25610	(004000-004936)	Ftg-Brs lf05/lf05	1
	15	83643	(004000-004936)	Tube Assy, Fuel .31Od	1
	16	70173	(004000-004936)	Hose, Fuelline, 10.0L	1
	17	76736	(004000-004936)	Clamp-Cable, 0.38Dia 0.62Wth	2

Fig. 52 – Engine Fuel Tank Group, Gas (004937–005999)

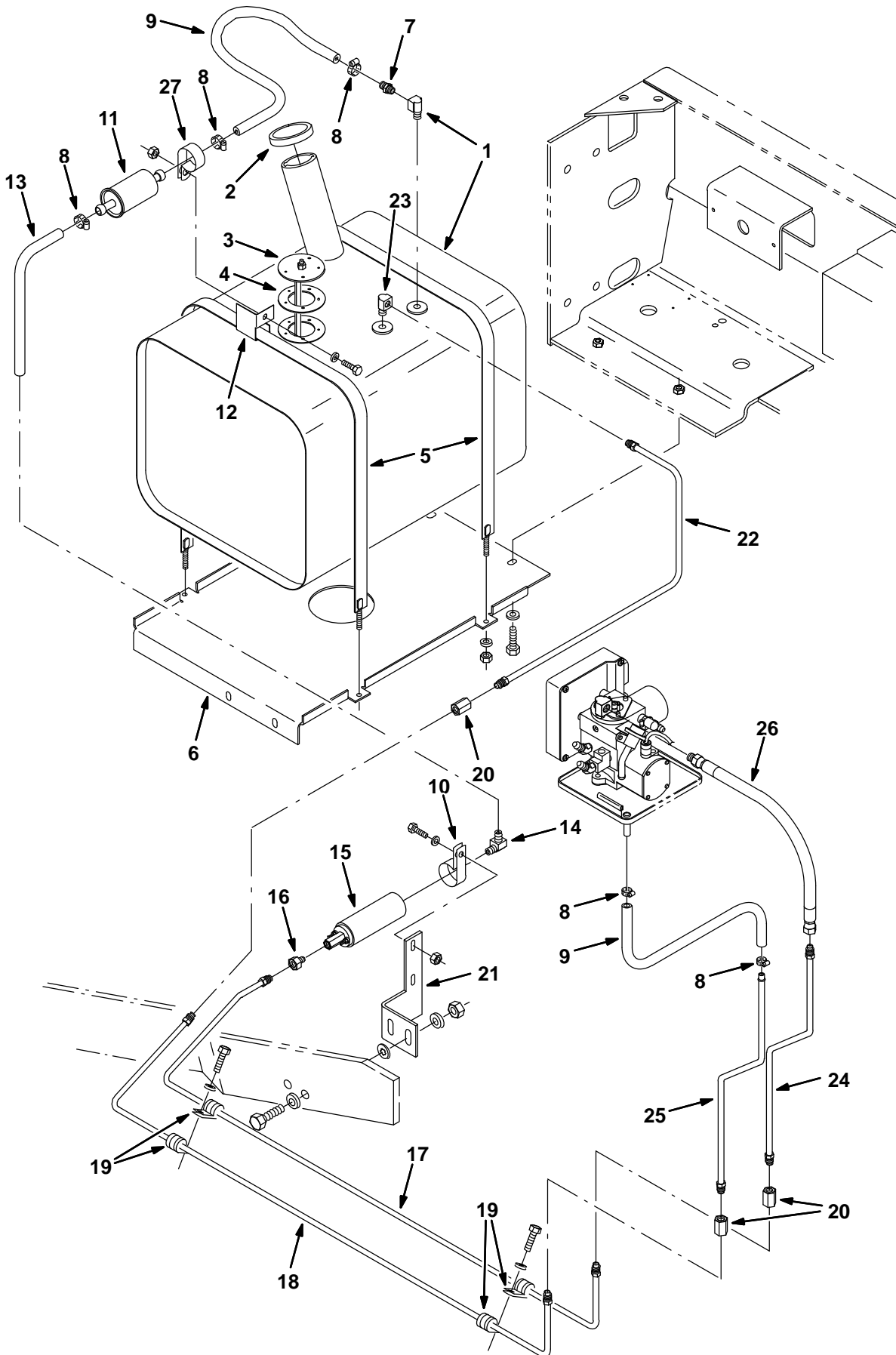


Fig. 52 – Engine Fuel Tank Group, Gas (004937–005999)

Ref.	Part No.	Serial Number	Description	Qty.
▽	1	76907	(004937–005999) Tank, Fuel, 14 Gas 14.7 13.0 19.0l	1
▲	2	48267	(004937–005999) Cap, Tank, Fuel, 2.3neck 2.6d	1
▲	3	21731	(004937–005999) Send–Unit	1
▲	4	21732	(004937–005999) Gasket, Send–Unit	1
	5	87396	(004937–005999) Strap Wldt, Tank, .06th X 1.0w, 37.7l	2
	6	70477	(004937–005999) Plate, Mtg, Tank, Gas	1
	7	392629	(004937–005999) Fitting, Brs, Str, Bm05/Pm04	1
	8	43844	(004937–005999) Clamp, Hose, Wormdrive, 0.25–0.62d	5
	9	82509	(004937–005999) Hose, Fuel, 0.31id 11.0l	2
	10	86328	(004937–005999) Clamp, Cable, Stl, 1.50d X 0.75w, 1h	1
	11	371662	(004937–005999) Filter, Fuel	1
	12	70767	(004937–005999) Bracket, Mtg, Fuelline	1
	13	82510	(004937–005999) Hose, Fuel, 0.31id 14.0l	1
	14	53029	(004937–005999) Fitting, Brs, E90, Em05/Pm02	1
	15	371661	(004937–005999) Pump, Fuel, Gas	1
	16	40585	(004937–005999) Fitting, Brs, Str, lf05/Pm02	1
	17	392594	(004937–005999) Fuelline, .31d 05if/05if	1
	18	392593	(004937–005999) Fuelline, .31d 05if/05f	1
	19	76736	(004937–005999) Clamp, Cable, Stl, 0.38d X 0.62w, 1h	4
	20	25610	(004937–005999) Fitting, Brs, Str, lf05/lf05	3
	21	75854	(004937–005999) Bracket, Pump, Fuel	1
	22	392597	(004937–005999) Fuelline, .31d 05if/05if	1
	23	15555–1	(004937–005999) Fitting, Brs, E90, lf05/Pm02	1
	24	393200	(004937–005999) Fuelline, .31d 05if/05if	1
	25	392649	(004937–005999) Fuelline, .31d 05if/Bea	1
	26	70173	(004937–005999) Hose, 0050, 04, lm05str /lf05str , 10.0	1
	27	41016	(004937–005999) Clamp, Cable, Stl, 2.25d X 1.0w, 1h	1

STANDARD PARTS

Fig. 53 – Engine Fuel Tank Group, Gas (006000–006999)

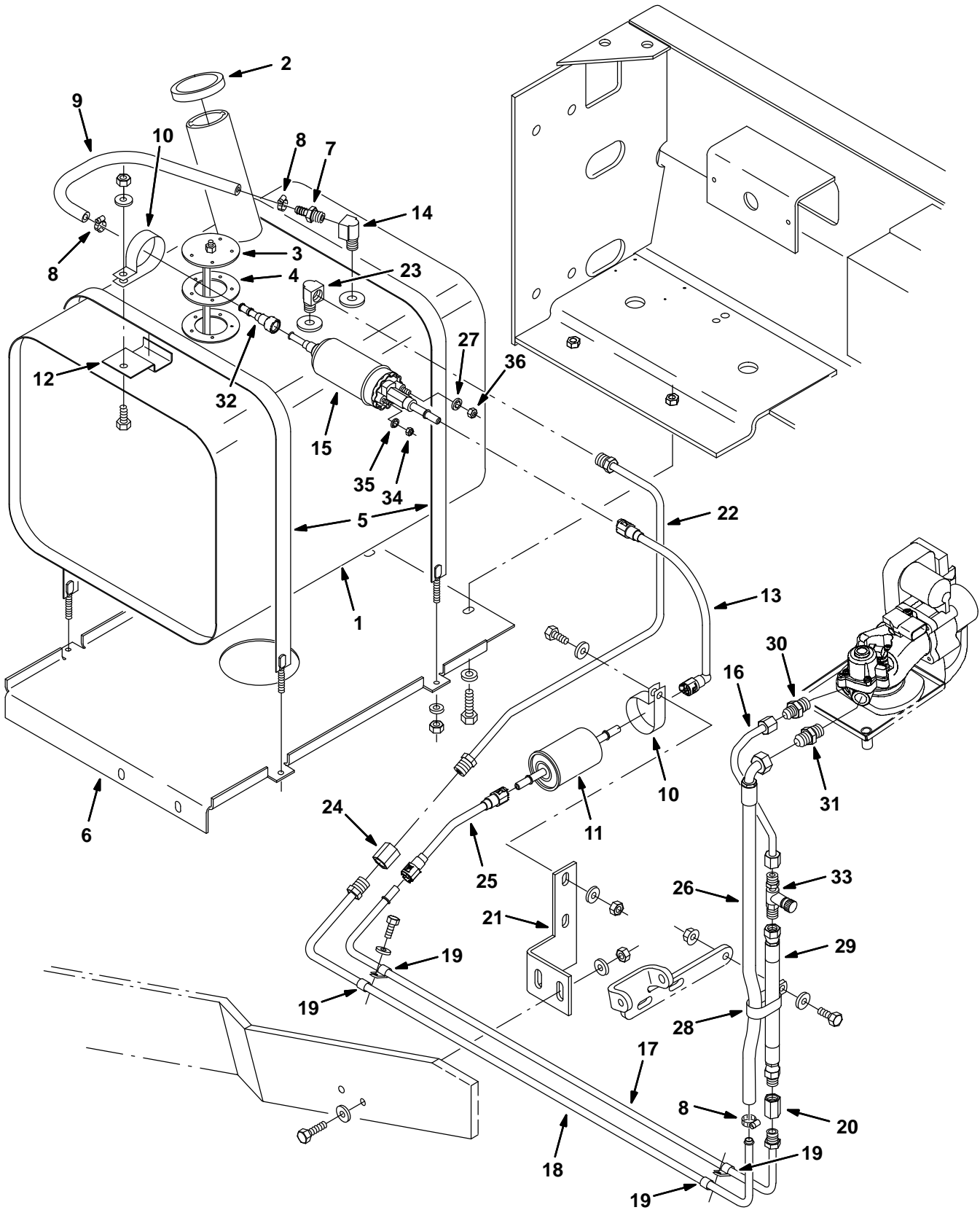


Fig. 53 – Engine Fuel Tank Group, Gas (006000–006999)

Ref.	Part No.	Serial Number	Description	Qty.
▽	1	1012110	(006000–006999) Tank, Fuel, 14 Gas 14.7 13.0 19.0	1
▲	2	48267	(006000–006999) Cap, Tank, Fuel, 2.3neck 2.6d	1
▲	3	21731	(006000–006999) Send-Unit, Fuel, Ohm	1
▲	4	21732	(006000–006999) Gasket, Sender, Fuel	1
	5	87396	(006000–006999) Strap Wldt, Tank, .06th X 1.0w, 37.7l	2
	6	70477	(006000–006999) Plate, Mtg, Tank, Gas	1
	7	392629	(006000–006999) Fitting, Brs, Str, Pm04/Bm05	1
	8	43844	(006000–006999) Clamp, Hose, Wormdrive, 0.25–0.62d	3
	9	83591	(006000–006999) Hose, Fuel, 0.31id 16.0l	1
	10	1011895	(006000–006999) Clamp, Cable, Stl, 2.00d X 0.75w, 1h	2
	11	372440	(006000–006999) Fuel, Fltr [Gm 1.6l/3.0l]	1
	12	1008988	(006000–006999) Bracket, Fltr, Fuel	1
	13	1012250	(006000–006999) Fuelline, .31d Str/E90, Plstc	1
	14	27048	(006000–006999) Fitting, Brs, E90, Pm04/Pf04	1
	15	9006592	(006000–006999) Pump, Fuel	1
	16	1012469	(006000–006999) Fuelline, .31d 05if/05jf Stl	1
	17	1011943	(006000–006999) Fuelline, .31d 05if/Qm Stl	1
	18	1011942	(006000–006999) Fuelline, .38d 06if/Bea Stl	1
	19	76736	(006000–006999) Clamp, Cable, Stl, 0.38d X 0.62w, 1h	4
	20	25610	(006000–006999) Fitting, Brs, Str, lf05/lf05	1
	21	1012018	(006000–006999) Bracket, Pump, Fuel	1
	22	1011941	(006000–006999) Fuelline, .38d 06if/06if Stl	1
	23	54140	(006000–006999) Fitting, Brs, E90, lf06/Pm04	1
	24	392598	(006000–006999) Fitting, Brs, Str, lf06/lf06	1
	25	1012248	(006000–006999) Fuelline, .31d Str/Str, Plstc	1
	26	1013030	(006000–006999) Hose, Fuel, Jf06e90, 20.3l	1
	27	32980	(006000–006999) Washer, Lock, Int, #10	1
	28	09570	(006000–006999) Clamp, Cable, Stl, 0.9x1.8x0.62w, 1h	1
	29	70173	(006000–006999) Hose, 0050, 04, lm05str /lf05str , 10.0	1
	30	1012677	(006000–006999) Fitting, Hyd, Str, Jm05/Om06	1
	31	56690	(006000–006999) Fitting, Hyd, Str, Jm06/Om06	1
	32	1013086	(006000–006999) Connector, Fuel, Qf	1
	33	1014595	(006000–006999) Adaptor, Fuelline	1
	34	42368	(006000–006999) Nut, Hex, Std, M4 X 0.7, 8	1
	35	32978	(006000–006999) Washer, Lock, Int, #08	1
	36	50335	(006000–006999) Nut, Hex, Std, M5 X 0.8, 8	1

STANDARD PARTS

Fig. 54 – Engine Fuel Tank Group, Gas (007000–)

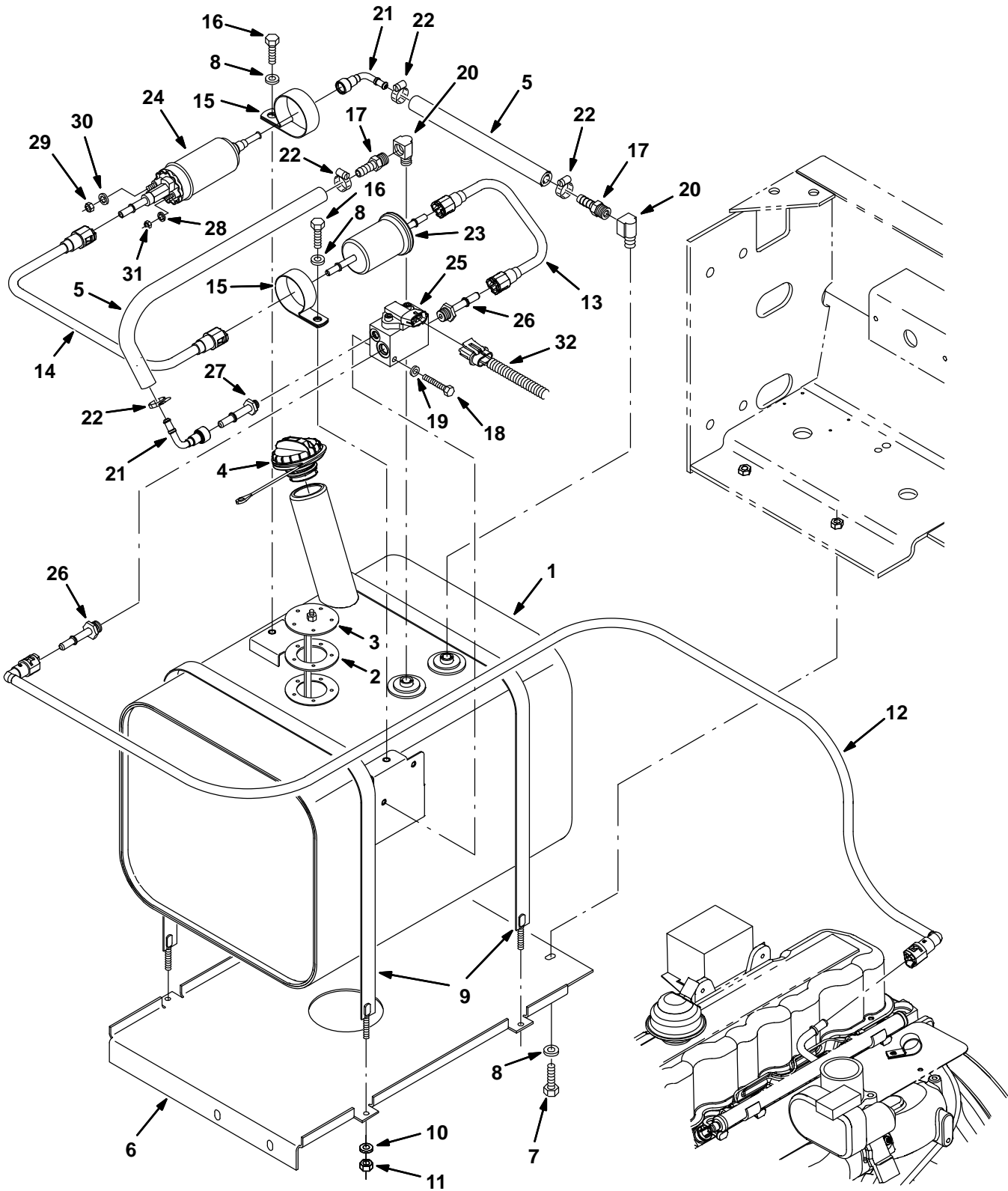


Fig. 54 – Engine Fuel Tank Group, Gas (007000–)

Ref.	Part No.	Serial Number	Description	Qty.
▽	1	1029502	(007000–) Tank, Fuel, 14.0gal, 14.66w 13.0hi 19.0l	1
▲	2	1033897	(007000–) Gasket, Sender, Fuel	1
▲	3	1033899	(007000–) Send–Unit, Fuel [800/810 2007]	1
▲	4	1032812	(007000–) Cap, Fuel, Tank	1
	5	1033746	(007000–) Hose, Fuel, 0.31id [Evap Emission 07]	2
	6	70477	(007000–) Plate, Mtg, Tank, Gas	1
	7	16931	(007000–) Screw, Hex, M8 X 1.25 X 20, 8.8	4
	8	32491	(007000–) Washer, Flat, 0.31, Std	6
	9	87396	(007000–) Strap Wldt, Tank, 0.06 1.0w 37.7l	2
	10	32483	(007000–) Washer, Flat, 0.25, Sae	4
	11	32981	(007000–) Nut, Hex, Lock, .25–20, NI	4
	12	1030485	(007000–) Fuelline, .31d E90, 05/06, Plstc	1
	13	1013509	(007000–) Fuelline, .31d Str/Str, Plstc [8200]	1
	14	1034676	(007000–) Fuelline, .31d Str/Str,Plstc[M20/T20 07]	1
	15	1011895	(007000–) Clamp, Cable, Stl, 2.00d X 0.75w, 1hole	1
	16	16931	(007000–) Screw, Hex, M8 X 1.25 X 20, 8.8	1
	17	392629	(007000–) Fitting, Brs, Str, Bm05/Pm04	2
	18	06949	(007000–) Screw, Hex, M6 X 1.0 X 50, 8.8	2
	19	32490	(007000–) Washer, Flat, 0.25, Std	2
	20	9000355	(007000–) Fitting, Brs, E90, Em05/Pm04	2
	21	1019939	(007000–) Connector, Fuel, E90, Qf	1
	22	43844	(007000–) Clamp, Hose, Wormdrive, 0.25–0.62d, .31w	4
	23	372440	(007000–) Filter, Fuel [Gm 1.6l/3.0l]	1
	24	9006592	(007000–) Pump, Fuel	1
	25	1028924	(007000–) Manifold, Gas, Relief, Valve	1
	26	1029293	(007000–) Fitting, Fuel, Str, 0.56–18 [07 Eng]	2
	27	1029295	(007000–) Fitting, Fuel, Str, 0.38–24 [07 Eng]	1
	28	32980	(007000–) Washer, Lock, Int, #10	1
	29	42368	(007000–) Nut, Hex, Std, M4 X 0.70, 8	1
	30	32978	(007000–) Washer, Lock, Int, #08	1
	31	50335	(007000–) Nut, Hex, Std, M5 X 0.80, 8	1
	32	385009	(007000–) Harness, Eng	1

STANDARD PARTS

Fig. 55 – Engine Fuel Tank Group, LPG (004000–004936)

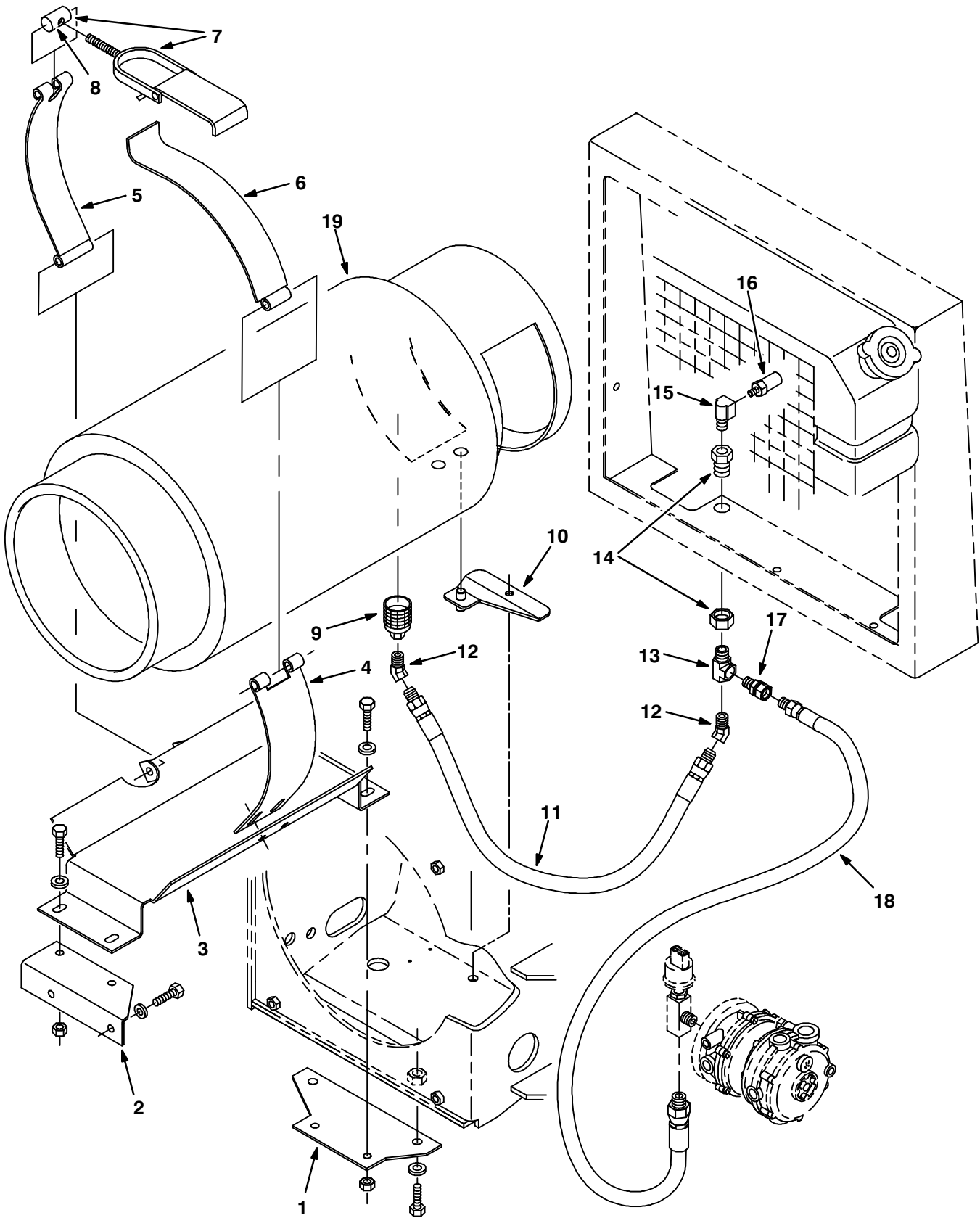


Fig. 55 – Engine Fuel Tank Group, LPG (004000–004936)

Ref.	Part No.	Serial Number	Description	Qty.	
1	70718	(004000–004936)	Plate, Mtg	1	
2	70719	(004000–004936)	Angle, Mtg	1	
3	70435	(004000–004936)	Bracket Wldt, Tank, Lpg	1	
4	58589	(004000–004936)	Strap, Mtg.– Lp Tank	1	
5	58590	(004000–004936)	Strap, Tank Retainer – Lp	1	
6	57297	(004000–004936)	Strap, Hinge – Lp Tank Mtg	1	
▽	7	53400–1	(004000–004936)	Latch Assy, Lpg Tank Mtg,W/Nut	1
▲	8	53400–4	(004000–004936)	Nut, Adjustable, Lpg Tank Mtg	1
9	26496	(004000–004936)	Coupling,Quickdisc, Lpg, Shwd	1	
10	74089	(004000–004936)	Plate Wldt.	1	
11	22308–3	(004000–004936)	Hose, Lpg, 4Lpg X 35.0Lg	1	
12	47720	(004000–004936)	Ftg–Hyd E45 Pm04/Pf04	2	
13	56976A	(004000–004936)	Ftg–Tee Npt 04Pm– 04Pf– 04Pf	1	
14	78122	(004000–004936)	Ftg,Bulkhead .25Npt Wh W21204	1	
15	27048	(004000–004936)	Ftg–EI90 Npt/Npt 04Pf/04Pm	1	
16	24047	(004000–004936)	Valve, Press Relief, Lpg Rego	1	
17	11442–23	(004000–004936)	Ftg–Str Npt/Npt S04Pf–04Pm	1	
18	374158	(004000–004936)	Hose, Lpg, 4Lpg X 40.0Lg	1	
19	24928–1	(004000–004936)	Tank–Lp, 33#,Liq,Both,Fill Ga	1	

STANDARD PARTS

Fig. 56 – Engine Fuel Tank Group, LPG (004937–005999)

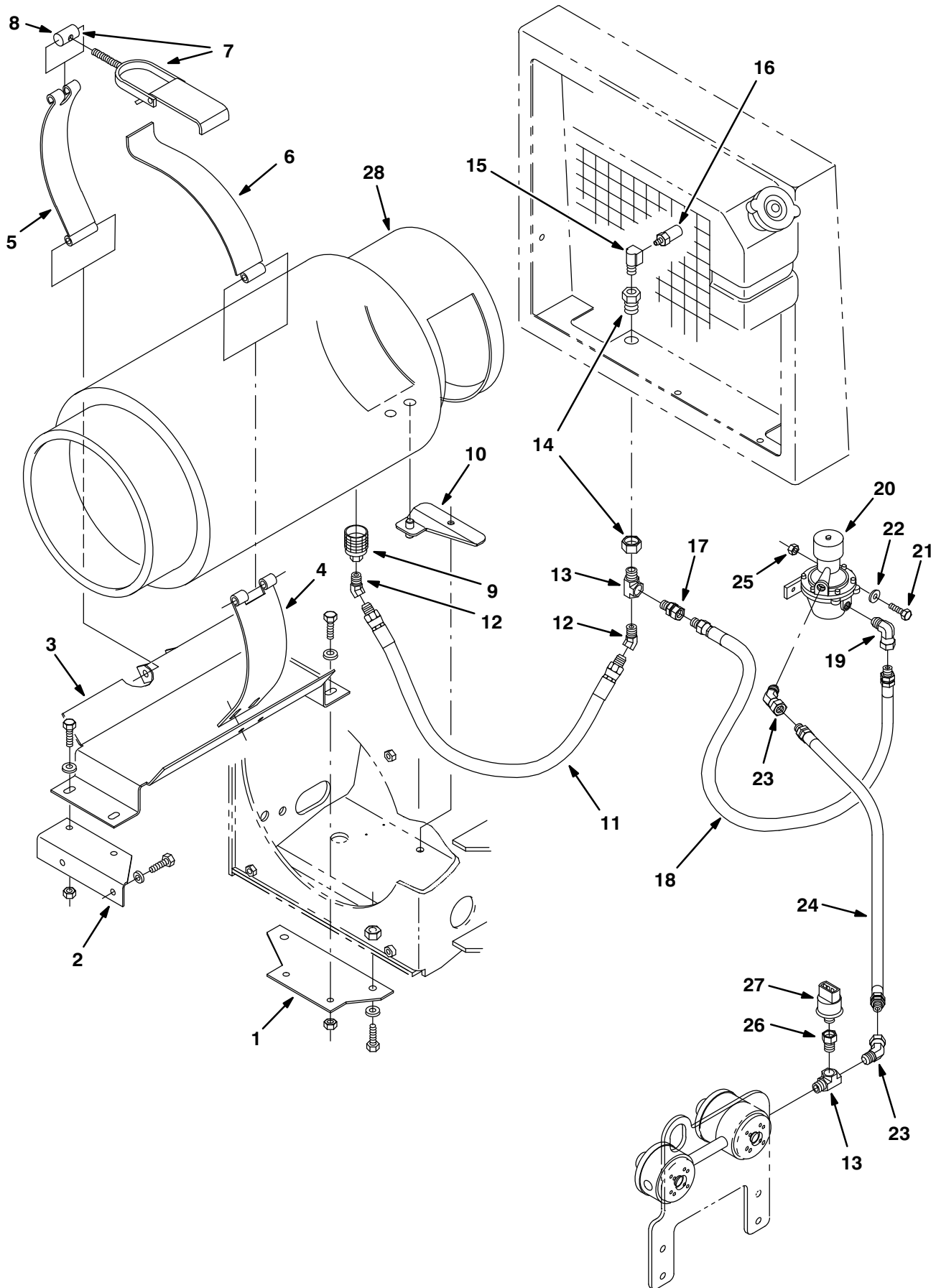


Fig. 56 – Engine Fuel Tank Group, LPG (004937–005999)

Ref.	Part No.	Serial Number	Description	Qty.	
1	70718	(004937–005999)	Plate, Mtg	1	
2	70719	(004937–005999)	Angle, Mtg	1	
3	70435	(004937–005999)	Bracket Wldt, Tank, Lpg	1	
4	58589	(004937–005999)	Strap, Mtg.– Lp Tank	1	
5	58590	(004937–005999)	Strap, Tank Retainer – Lp	1	
6	57297	(004937–005999)	Strap, Hinge – Lp Tank Mtg	1	
▽	7	53400–1	(004937–005999)	Latch Assy, Lpg Tank Mtg,W/Nut	1
▲	8	53400–4	(004937–005999)	Nut, Adjustable, Lpg Tank Mtg	1
9	26496	(004937–005999)	Coupling,Quickdisc, Lpg, Shwd	1	
10	74089	(004937–005999)	Plate Wldt.	1	
11	22308–3	(004937–005999)	Hose, Lpg, 4Lpg X 35.0Lg	1	
12	47720	(004937–005999)	Ftg–Hyd E45 Pm04/Pf04	2	
13	56976A	(004937–005999)	Ftg–Tee Npt 04Pm– 04Pf– 04Pf	2	
14	78122	(004937–005999)	Ftg,Bulkhead .25Npt Wh W21204	1	
15	27048	(004937–005999)	Ftg–EI90 Npt/Npt 04Pf/04Pm	1	
16	24047	(004937–005999)	Valve, Press Relief, Lpg Rego	1	
17	11442–23	(004937–005999)	Ftg–Str Npt/Npt S04Pf–04Pm	1	
18	22324	(004937–005999)	Hose, Lpg, Med05, Pm04str/Sm04str, 31.0l	1	
19	11442–1	(004937–005999)	Fitting, Hyd, E90, Swivel Pf04/Pm04	1	
▽	20	53395–2	(004937–005999)	Filter, Fuelock, [Ballwin#4–2384b]	1
▲	48282	(004937–005999)	Kit, Repair, Fuelock, Mv 310–6	1	
21	12316	(004937–005999)	Screw, Hex, M05 X 0.8 X 25, Ss	2	
22	386063	(004937–005999)	Washer, 0.25b 1.12d .12, Ss	2	
23	47720	(004937–005999)	Fitting, Hyd, E45, Pm04/Pf04	2	
24	62865	(004937–005999)	Hose, Lpg, Med05, Pm04str/Sm04str, 67.0l	1	
25	50335	(004937–005999)	Nut, Hex, Std, M05 X 0.8	2	
26	17414	(004937–005999)	Fitting, Pipe, Str, Pm04/Pf02	1	
27	23156	(004937–005999)	Switch, Press, 12vdc 08a Spst Nc 0070psi	1	
28	24928–1	(004937–005999)	Tank–Lp, 33#,Liq,Both,Fill Ga	1	

STANDARD PARTS

Fig. 57 – Engine Fuel Tank Group, LPG (006000–006999)

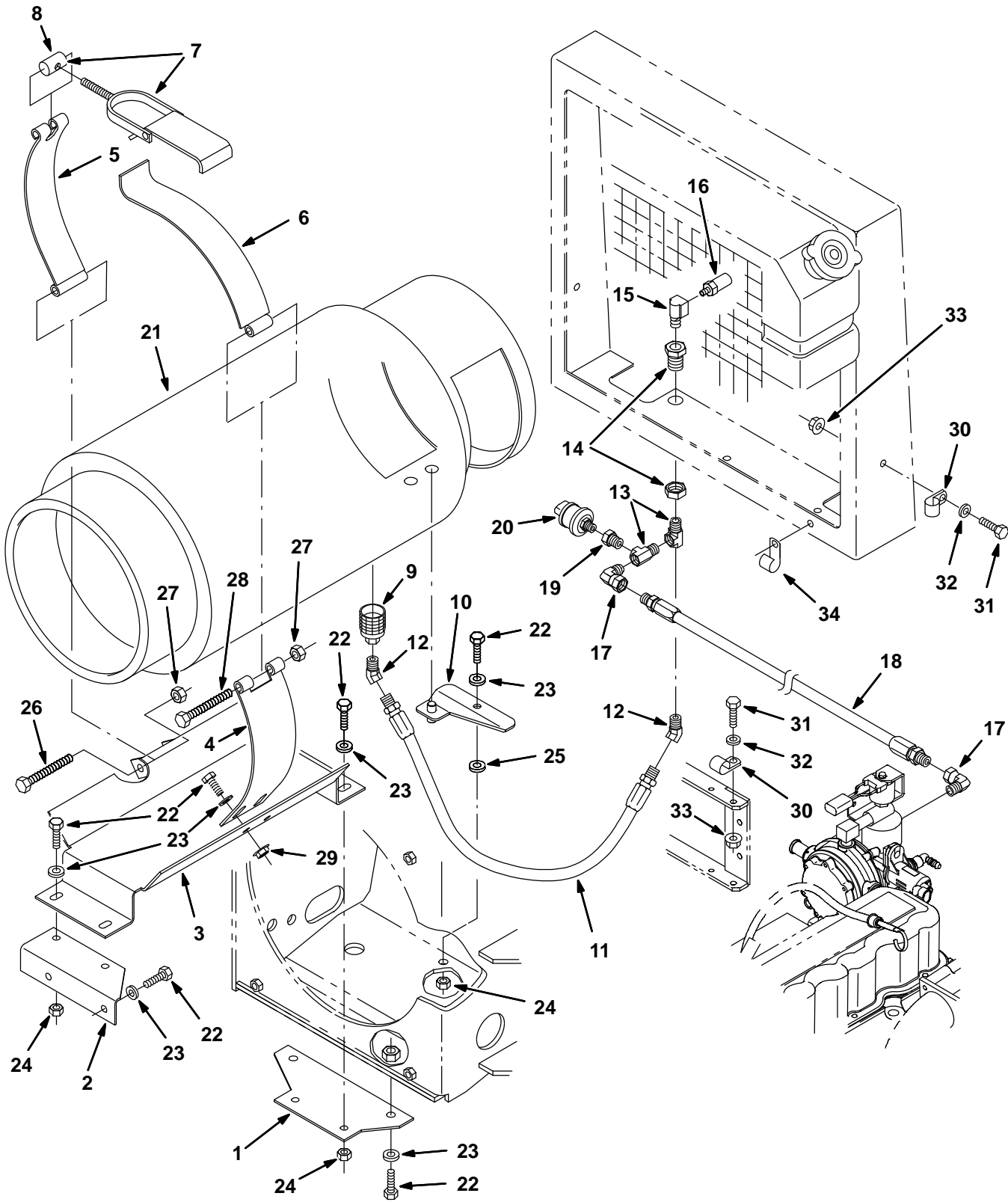


Fig. 57 – Engine Fuel Tank Group, LPG (006000–006999)

Ref.	Part No.	Serial Number	Description	Qty.	
1	70718	(006000–006999)	Plate, Mtg	1	
2	70719	(006000–006999)	Angle, Mtg	1	
3	70435	(006000–006999)	Bracket Wldt, Tank, Lpg	1	
4	58589	(006000–006999)	Strap, Mtg.– Lp Tank	1	
5	58590	(006000–006999)	Strap, Tank Retainer – Lp	1	
6	57297	(006000–006999)	Strap, Hinge – Lp Tank Mtg	1	
▽	7	53400–1	(006000–006999)	Latch Assy, Lpg Tank Mtg,W/Nut	1
▲	8	53400–4	(006000–006999)	Nut, Adjustable, Lpg Tank Mtg	1
9	26496	(006000–006999)	Coupling,Quickdisc, Lpg, Shwd	1	
10	74089	(006000–006999)	Plate Wldt.	1	
11	374158	(006000–006999)	Hose, Lpg, Med05, Pm04str/Sm04str, 46.0l	1	
12	47720	(006000–006999)	Ftg–Hyd E45 Pm04/Pf04	2	
13	56976A	(006000–006999)	Ftg–Tee Npt 04Pm– 04Pf– 04Pf	2	
14	78122	(006000–006999)	Ftg,Bulkhead .25Npt Wh W21204	1	
15	27048	(006000–006999)	Ftg–EI90 Npt/Npt 04Pf/04Pm	1	
16	24047	(006000–006999)	Valve, Press Relief, Lpg Rego	1	
17	11442–1	(006000–006999)	Fitting, Hyd, E90, Swivel Pf04/Pm04	2	
18	22308–3	(006000–006527)	Hose, Lpg, 4Lpg X 35.0Lg	1	
18	19760	(006528–006999)	Hose, Lpg, Med05, Pm04str/Sm04str, 055.0	1	
19	17414	(006000–006999)	Fitting, Pipe, Str, Pm04/Pf02	1	
20	23156	(006000–006999)	Switch, Press, 12vdc 08a Spst Nc 0070psi	1	
21	24928–1	(006000–006999)	Tank–Lp, 33#,Liq,Both,Fill Ga	1	
22	16931	(006000–006999)	Screw, Hex, M8 X 1.25 X 20, 8.8	11	
23	32491	(006000–006999)	Washer, Flat, 0.31, Std	11	
24	08709	(006000–006999)	Nut, Hex, Lock, M8 X 1.25, NI	7	
25	43611	(006000–006999)	Washer, Flat, 0.39b 0.75d .06, Nyl	1	
26	35707	(006000–006999)	Screw, Hex, .38–16 X 3.00, G5	1	
27	50902	(006000–006999)	Nut, Hex, Lock, .38–16, NI	2	
28	20177	(006000–006999)	Screw, Hex, .38–16 X 4.00, G5	1	
29	07791	(006000–006999)	Nut, Hex, Flng, M8 X 1.25	2	
30	67767	(006528–006999)	Clamp, Cable, Stl, 0.69d X 0.62w, 1hole	2	
31	06942	(006528–006999)	Screw, Hex, M6 X 1.0 X 16, 8.8	2	
32	19066	(006528–006999)	Washer, Flat, #10	2	
33	07790	(006528–006999)	Nut, Hex, Flng, M6 X 1.00	2	
34	30407	(006528–006999)	Clip, Keeper, Open	1	

STANDARD PARTS

Fig. 58 – Engine Fuel Tank Group, LPG (007000-)

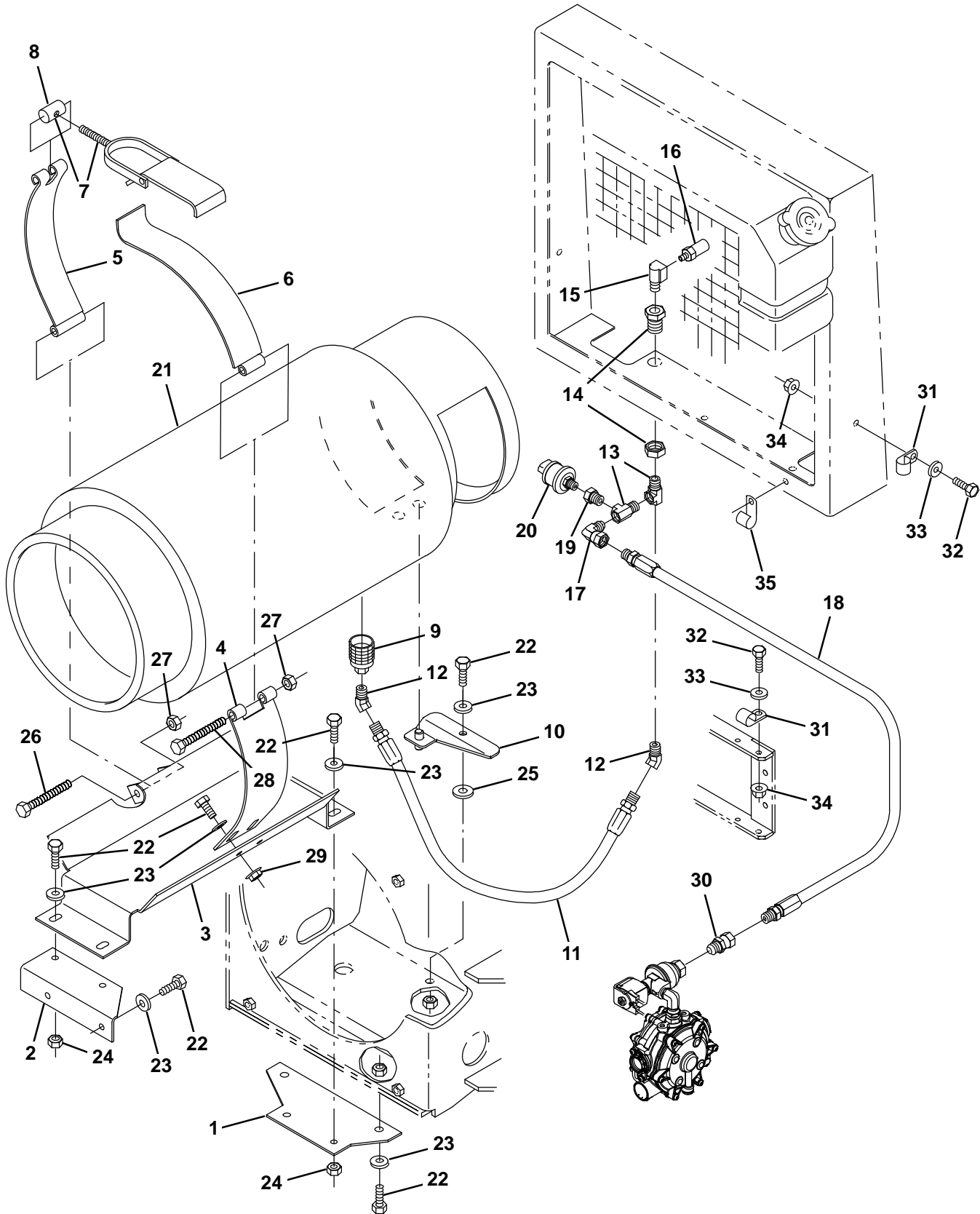


Fig. 58 – Engine Fuel Tank Group, LPG (007000–)

Ref.	Part No.	Serial Number	Description	Qty.	
1	70718	(007000–)	Plate, Mtg	1	
2	70719	(007000–)	Angle, Mtg	1	
3	70435	(007000–)	Bracket Wldt, Tank, Lpg	1	
4	58589	(007000–)	Strap, Mtg.– Lp Tank	1	
5	58590	(007000–)	Strap, Tank Retainer – Lp	1	
6	57297	(007000–)	Strap, Hinge – Lp Tank Mtg	1	
▽	7	53400–1	(007000–)	Latch Assy, Lpg Tank Mtg,W/Nut	1
▲	8	53400–4	(007000–)	Nut, Adjustable, Lpg Tank Mtg	1
9	26496	(007000–)	Coupling,Quickdisc, Lpg, Shwd	1	
10	74089	(007000–)	Plate Wldt.	1	
11	374158	(007000–)	Hose, Lpg, Med05, Pm04str/Sm04str, 46.0l	1	
12	47720	(007000–)	Ftg–Hyd E45 Pm04/Pf04	2	
13	56976A	(007000–)	Ftg–Tee Npt 04Pm– 04Pf– 04Pf	2	
14	78122	(007000–)	Ftg,Bulkhead .25Npt Wh W21204	1	
15	27048	(007000–)	Ftg–EI90 Npt/Npt 04Pf/04Pm	1	
16	24047	(007000–)	Valve, Press Relief, Lpg Rego	1	
17	11442–1	(007000–)	Fitting, Hyd, E90, Swivel Pf04/Pm04	2	
18	62865	(007000–)	Hose, Lpg, Med05, Pm04str/Sm04str, 067.0	1	
19	17414	(007000–)	Fitting, Pipe, Str, Pm04/Pf02	1	
20	23156	(007000–)	Switch, Press, 12vdc 08a Spst Nc 0070psi	1	
21	24928–1	(007000–)	Tank–Lp, 33#,Liq,Both,Fill Ga	1	
22	16931	(007000–)	Screw, Hex, M8 X 1.25 X 20, 8.8	9	
23	32491	(007000–)	Washer, Flat, 0.31, Std	9	
24	08709	(007000–)	Nut, Hex, Lock, M8 X 1.25, NI	7	
25	43611	(007000–)	Washer, Flat, 0.39b 0.75d .06, Nyl	1	
26	35707	(007000–)	Screw, Hex, .38–16 X 3.00, G5	1	
27	50902	(007000–)	Nut, Hex, Lock, .38–16, NI	2	
28	20177	(007000–)	Screw, Hex, .38–16 X 4.00, G5	1	
29	07791	(007000–)	Nut, Hex, Flng, M8 X 1.25	2	
30	11442–23	(007000–)	Fitting, Pipe, Str, Pm04/Sf04	1	
31	67767	(007000–)	Clamp, Cable, Stl, 0.69d X 0.62w, 1hole	2	
32	06942	(007000–)	Screw, Hex, M6 X 1.0 X 16, 8.8	2	
33	19066	(007000–)	Washer, Flat, #10	2	
34	07790	(007000–)	Nut, Hex, Flng, M6 X 1.00	2	
35	30407	(007000–)	Clip, Keeper, Open	1	

Fig. 59 – Engine Radiator Hose Group (004000–004936)

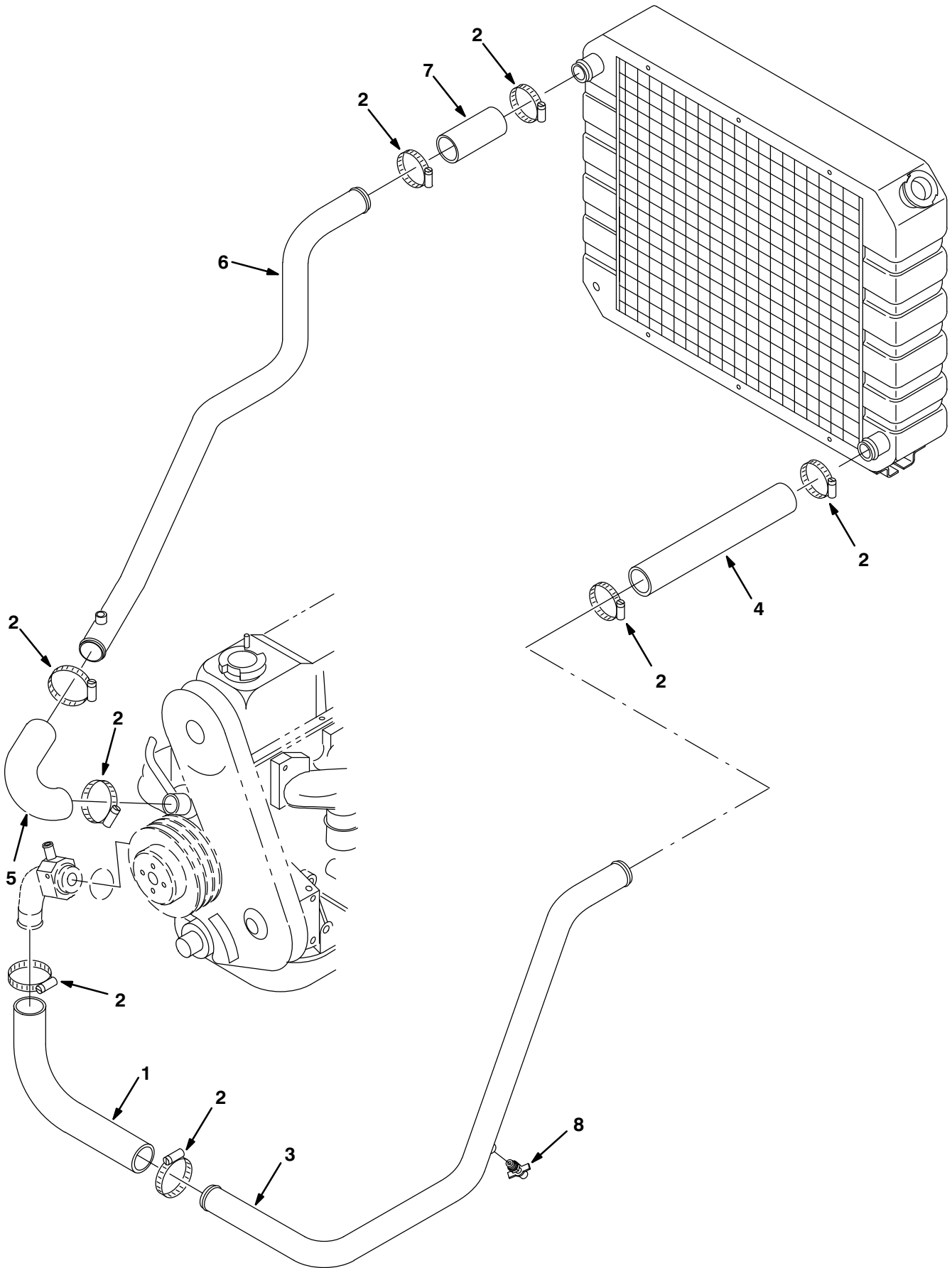


Fig. 59 – Engine Radiator Hose Group (004000–004936)

Ref.	Part No.	Serial Number	Description	Qty.
1	83690	(004000–004936)	Hose, Radiator, Lower	1
2	11531	(004000–004936)	Clamp–Wormdrive, 1.06– 2.00D	8
3	70754	(004000–004936)	Tube, Coolant, 1.5od Lower	1
4	70635	(004000–004936)	Hose, Rbr 1.50id 1.88od 12.0 L	1
5	70636	(004000–004936)	Hose, Radiator, Upper	1
6	83691	(004000–004936)	Tube, Radiator, Upper, Gas/Lpg	1
7	78750	(004000–004936)	Hose, Rbr, 1.50id 1.88od 6.0 L	1
8	54911–32	(004000–004936)	Drain Cock, .25npt	1

Fig. 60 – Engine Radiator Hose Group (004937–005999)

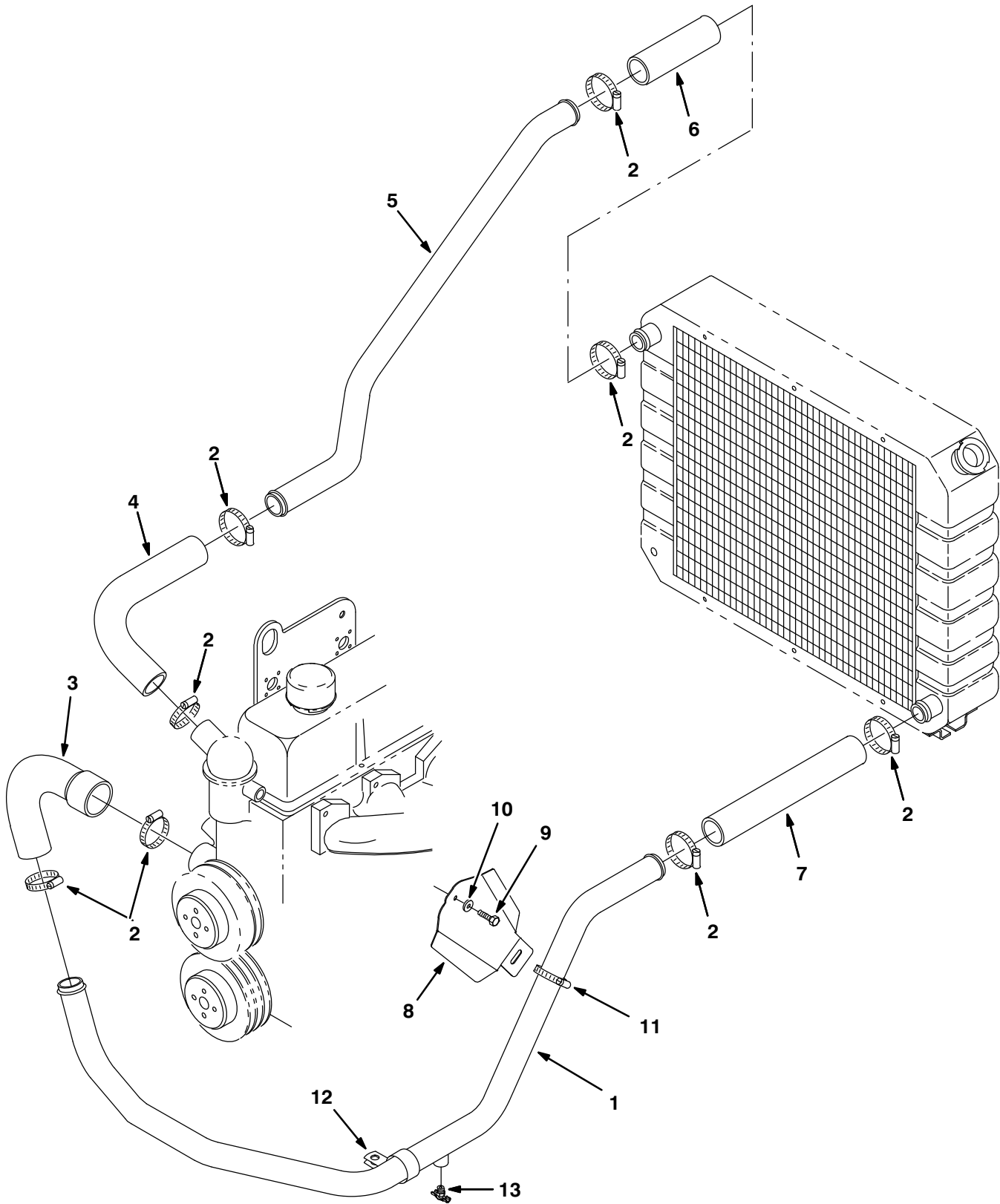


Fig. 60 – Engine Radiator Hose Group (004937–005999)

Ref.	Part No.	Serial Number	Description	Qty.
1	392590	(004937–005999)	Tube, Coolant, 1.5d W/.25npt Low, G/Lpg	1
2	11531	(004937–005999)	Clamp, Hose, Wormdrive, 1.06–2.00d	8
3	393229	(004937–005999)	Hose, Rbr, E120 1.50id 1.20id 06.4 2.7	1
4	83690	(004937–005999)	Hose, Rbr, E90 1.50id 1.50id 09.4 6.3	1
5	392591	(004937–005999)	Tube, Coolant, 1.5d Upper, Gas/Lpg	1
6	78750	(004937–005999)	Hose, Rbr, 1.50id 1.88od 12.0l	1
7	74944	(004937–005999)	Hose, Rbr, 1.50id 1.88od 06.0l	1
8	393216	(004937–005999)	Plate, Shield, Heat, W/Label	1
9	54396	(004937–005999)	Screw, Hex, .31–18 X 0.75, 5	1
10	32491	(004937–005999)	Washer, Flat, .31 Std	1
11	79381	(004937–005999)	Clamp, Hose, Wormdrive, 1.25–2.00d	1
12	53468	(004937–005999)	Clamp, Cable, Stl, 1.75d X 1.00w, 1h	1
13	54911–32	(004937–005999)	Fitting, Draincock, .25npt	1

Fig. 61 – Engine Radiator Hose Group (006000–006999)

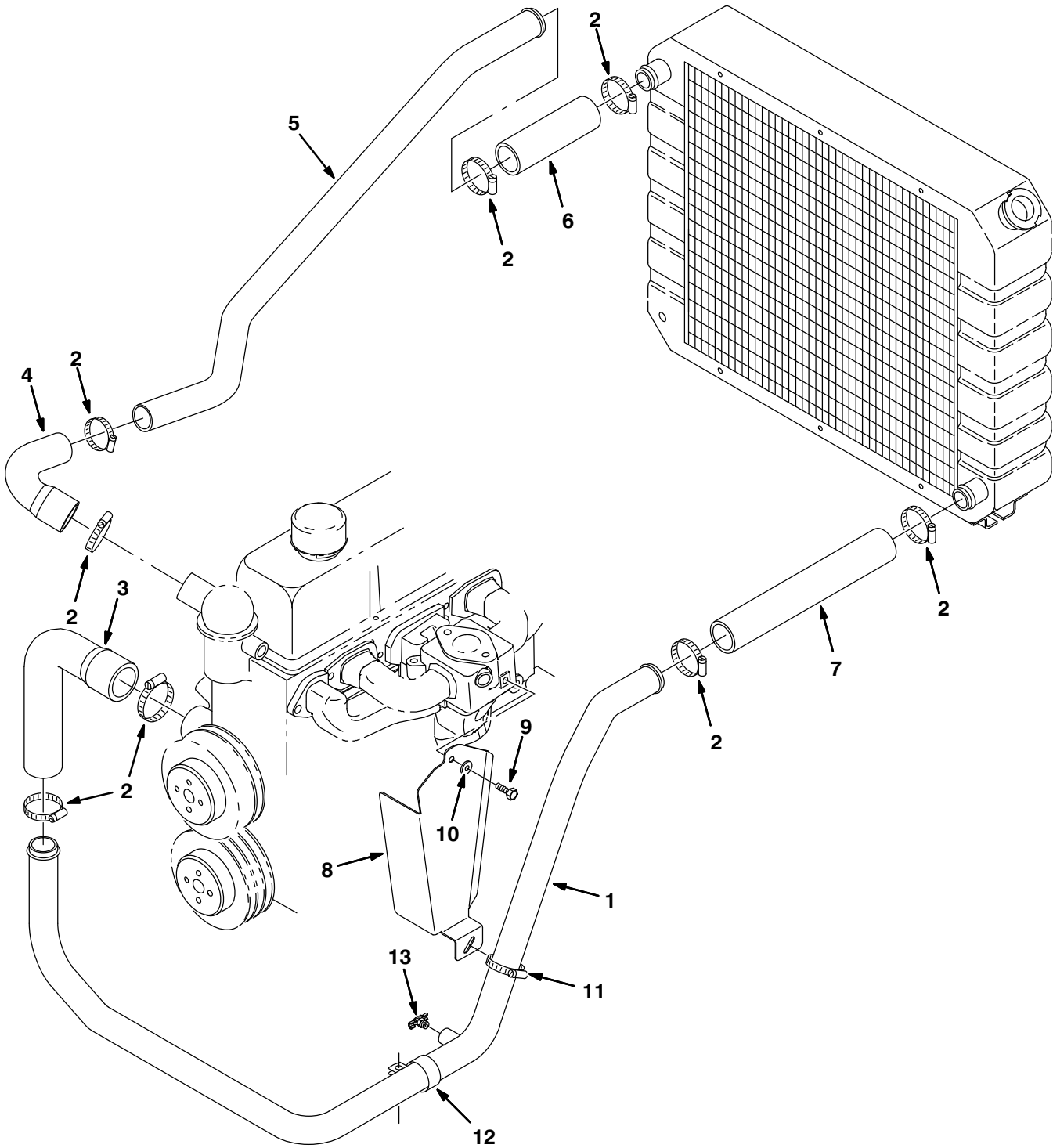


Fig. 61 – Engine Radiator Hose Group (006000–006999)

Ref.	Part No.	Serial Number	Description	Qty.
1	392590	(006000–006999)	Tube, Coolant, 1.5d W/.25npt Low, G/Lpg	1
2	11531	(006000–006999)	Clamp, Hose, Wormdrive, 1.06–2.00d	8
3	392647	(006000–006999)	Hose, Coolant, 1.50id To 1.75id, Mold	1
4	393229	(006000–006171)	Hose, Rbr, E120 1.50id 1.20id 05.0 05.2	1
4	1012737	(006172–006999)	Hose, Rbr, E90 1.50id 1.62id 0.40 04.0	1
5	392591	(006000–006999)	Tube, Coolant, 1.5d Upper, Gas/Lpg	1
6	78750	(006000–006999)	Hose, Rbr, 1.50id 1.88od 06.0l	1
7	70635	(006000–006999)	Hose, Rbr, 1.50id 1.88od 12.0l	1
8	9000360	(006000–006999)	Plate, Shield, Heat, W/Label	1
9	54396	(006000–006999)	Screw, Hex, .31–18 X 0.75, 5	1
10	32491	(006000–006999)	Washer, Flat, .31 Std	1
11	79381	(006000–006999)	Clamp, Hose, Wormdrive, 1.25–2.00d	1
12	53468	(006000–006999)	Clamp, Cable, Stl, 1.75d X 1.00w, 1h	1
13	54911–32	(006000–006999)	Fitting, Draincock, .25npt	1

Fig. 62 – Engine Radiator Hose Group (007000–)

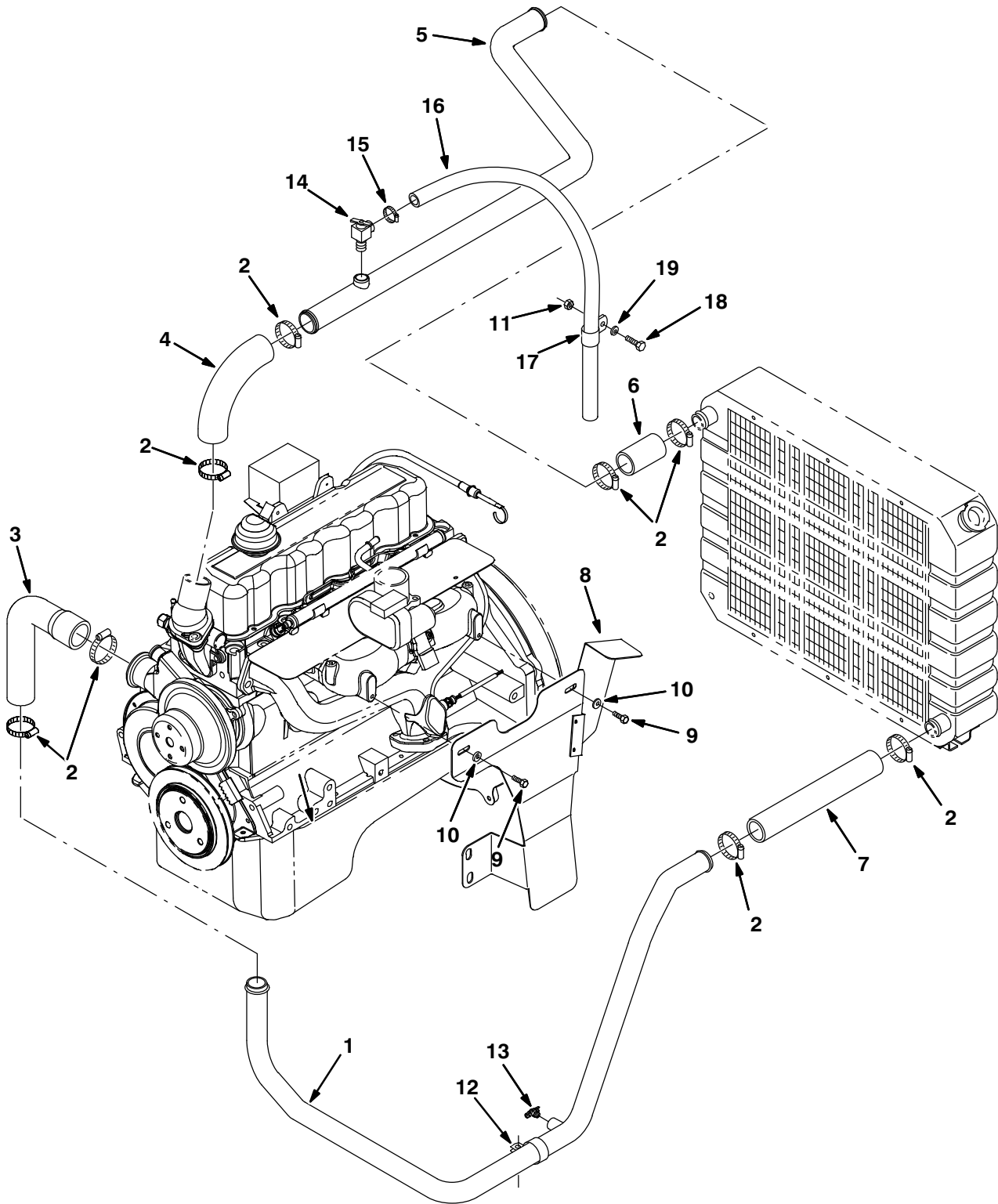


Fig. 62 – Engine Radiator Hose Group (007000–)

Ref.	Part No.	Serial Number	Description	Qty.
1	392590	(007000–)	Tube, Coolant, 1.5d W/.25npt Low, G/Lpg	1
2	11531	(007000–)	Clamp, Hose, Wormdrive, 1.06–2.00d	8
3	392647	(007000–)	Hose, Coolant, 1.50id To 1.75id, Mold	1
4	380748	(007000–)	Hose, Rbr, E90, 1.50id 1.50id 06.3 04.5	1
5	1030189	(007000–)	Tube, Radiator, Upper [800gas/Lpg]	1
6	74944	(007000–)	Hose, Rbr, 1.50id 1.88od 04.0l	1
7	70635	(007000–)	Hose, Rbr, 1.50id 1.88od 12.0l	1
8	1029737	(007000–)	Shield Wldt, Heat, Manifold	1
9	06941	(007000–)	Screw, Hex, M6 X 1.0 X 10, 8.8	2
10	32483	(007000–)	Washer, Flat, 0.25, Sae	2
11	08708	(007000–)	Nut, Hex, Lock, M6 X 1.00, NI	1
12	53468	(007000–)	Clamp, Cable, Stl, 1.75d X 1.00w, 1hole	1
13	54911–32	(007000–)	Fitting, Draincock, .25npt	1
14	51305	(007000–)	Fitting, Draincock, E90, .25npt	1
15	43844	(007000–)	Clamp, Hose, Wormdrive, 0.25–0.62d, .31w	1
16	41295	(007000–)	Hose, Pvc, Clr, 0.38id 0.56od 048.0l	1
17	62234	(007000–)	Handle, Valve, Cntrl	1
18	06944	(007000–)	Screw, Hex, M6 X 1.0 X 25, 8.8	1
19	32483	(007000–)	Washer, Flat, 0.25, Sae	1

STANDARD PARTS

Fig. 63 – Engine Radiator and Cooling Fan Group (004000–006308)

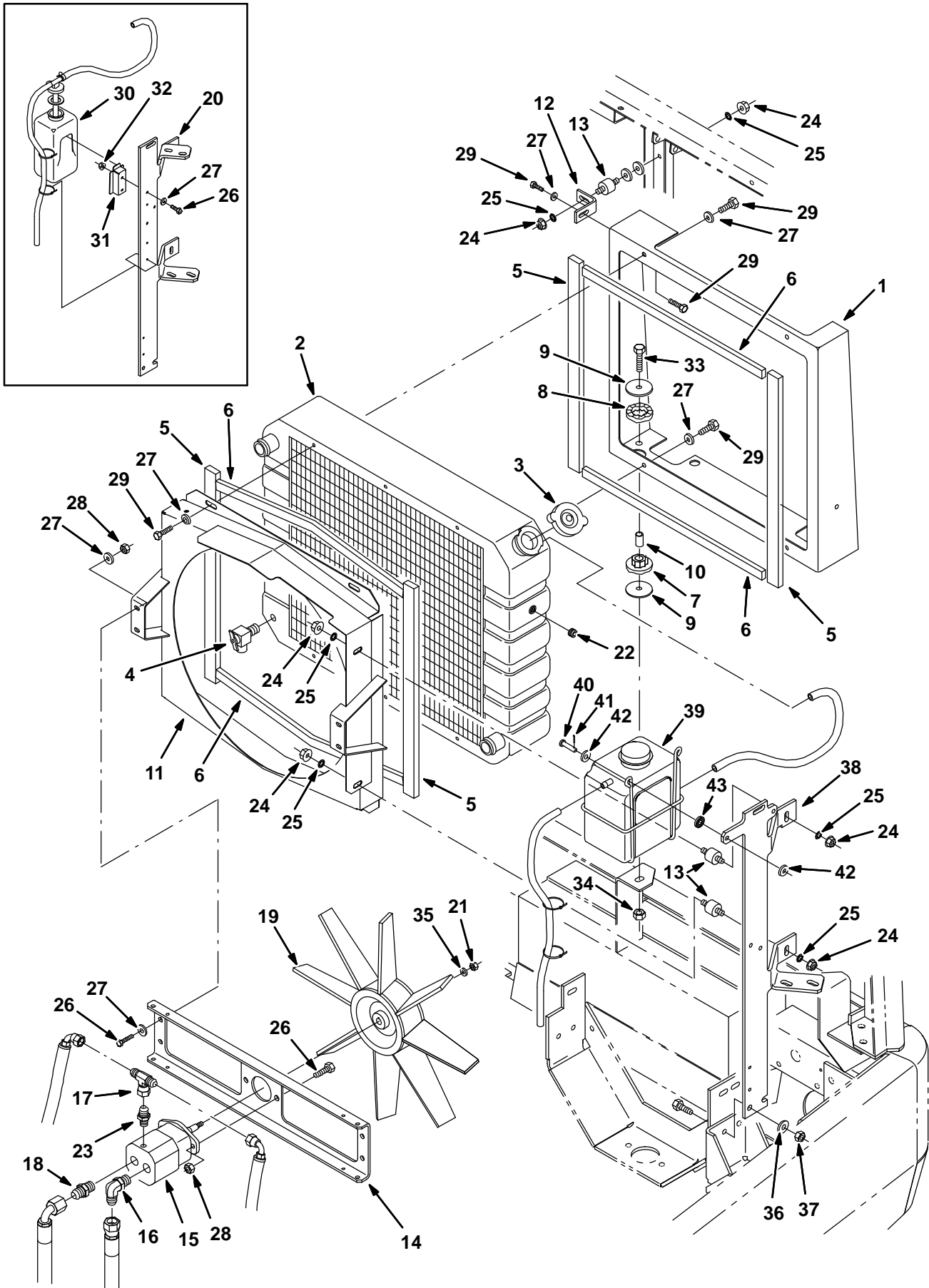


Fig. 63 – Engine Radiator and Cooling Fan Group (004000–006308)

Ref.	Part No.	Serial Number	Description	Qty.	
1	48056	(004000–006308)	Duct, Rear	1	
2	1041739AM	(004000–006308)	Radiator	1	
3	1045764	(004000–006308)	Cap, Radiator, 14psi [Stant]	1	
4	51305	(004000–006308)	Drain Cock, .25Npt Wh#120 Angl	1	
5	63818	(004000–006308)	Seal, Duct	4	
6	374230	(004000–006308)	Seal, Ure, 0.38 0.75w 19.5l Adh	4	
7	64621	(004000–006308)	Bushing, Isolator	2	
8	64618	(004000–006308)	Ring, Isolator, Outer Rbr	2	
9	58228	(004000–006308)	Washer, Flat, 0.44b 2.00d .12, Stl, PI	4	
10	77452	(004000–006308)	Spacer	2	
11	9001070	(004000–006308)	Shroud, Fan, Radiator, W/ Label [800I]	1	
12	375511	(004000–006308)	Bracket, L, 2.20,2.00, .18T,1.	1	
13	51322	(004000–006308)	Isolator–Vibration .31–18	3	
14	1019188	(004000–006308)	Channel, Mtg, Fan Motor	1	
▽	15	63542	(004000–006308)	Motor–Hyd, Gear In 10.0 (See Breakdowns)	1
▲		00960	(004000–006308)	Key, Sq, 0.12 X 0.12, 0.50I	1
	16	47512	(004000–006308)	Ftg–Hyd E90 Jm06/Om08	1
	17	35586	(004000–004936)	Fitting, Hyd, Tee, Jf06/Jm06/Jm06, Br	1
	18	52402	(004000–006308)	Ftg–Hyd Str Jm06/Om08	1
	19	375586	(004000–006308)	Fan, Radiator	1
	20	380754	(004000–006183)	Bracket, Mtg, Fltr, Oil, W/ Label [800I]	1
	21	74082	(004000–006308)	Nut–Hxlocnyln .31–24 Reg Pltd	1
	22	02247	(004495–006308)	Fitting, Plug	1
	23	50960	(004937–006308)	Fitting, Hyd, Str, Jm06/Om04	1
	24	19313	(004000–006308)	Nut, Hex, Std, .31–18	6
	25	32984	(004000–006308)	Washer, Lock, Int, 0.31	6
	26	39277	(004000–006308)	Screw, Hex, M8 X 1.25 X 25, 8.8	8
	27	32491	(004000–006308)	Washer, Flat, 0.31 Std	14
	28	08709	(004000–006308)	Nut, Hex, Lock, M8 X 1.25, NI	7
	29	16931	(004000–006308)	Screw, Hex, M8 X 1.25 X 20, 8.8	9
	30	87972	(004000–006183)	Tank, Coolant, 03.5 03.0 06.5deep 1.0 Qt	1
	31	382507	(004000–006183)	Bracket, Mtg, Tank, Coolant F/87972	1
	32	07790	(004000–006308)	Nut, Hex, Flng, M6 X 1.0	2
	33	27990	(004000–006308)	Screw, Hex, .38–16 X 2.00, 5	2
	34	50902	(004000–006308)	Nut, Hex, Lock, .38–16, NI	2
	35	41186	(004000–006308)	Washer, Belleville, .31	1
	36	32492	(004000–006308)	Washer, Flat, 0.38 Std	2
	37	41430	(004000–006308)	Nut, Hex, Lock, M10 X 1.5, NI	2
	38	9001183	(004000–006308)	Bracket, Mtg, Fltr, Oil, W/Label [800I]	1
	39	768897	(004000–006308)	Tank, Coolant, 06.0 04.5 06.9deep 2.5 Qt	1
	40	46800	(004000–006308)	Pin, Clevis, 0.31 D X 0.75I	2
	41	44906	(004000–006308)	Pin, Hair Cotter, 0.69 D .092 Wir	2
	42	32490	(004000–006308)	Washer, Flat, 0.25 Std	4
	43	63416	(004000–006308)	Washer, Rbr, .12 0.31b 0.88d	2

STANDARD PARTS

Fig. 64 – Engine Radiator and Cooling Fan Group (006309–006999)

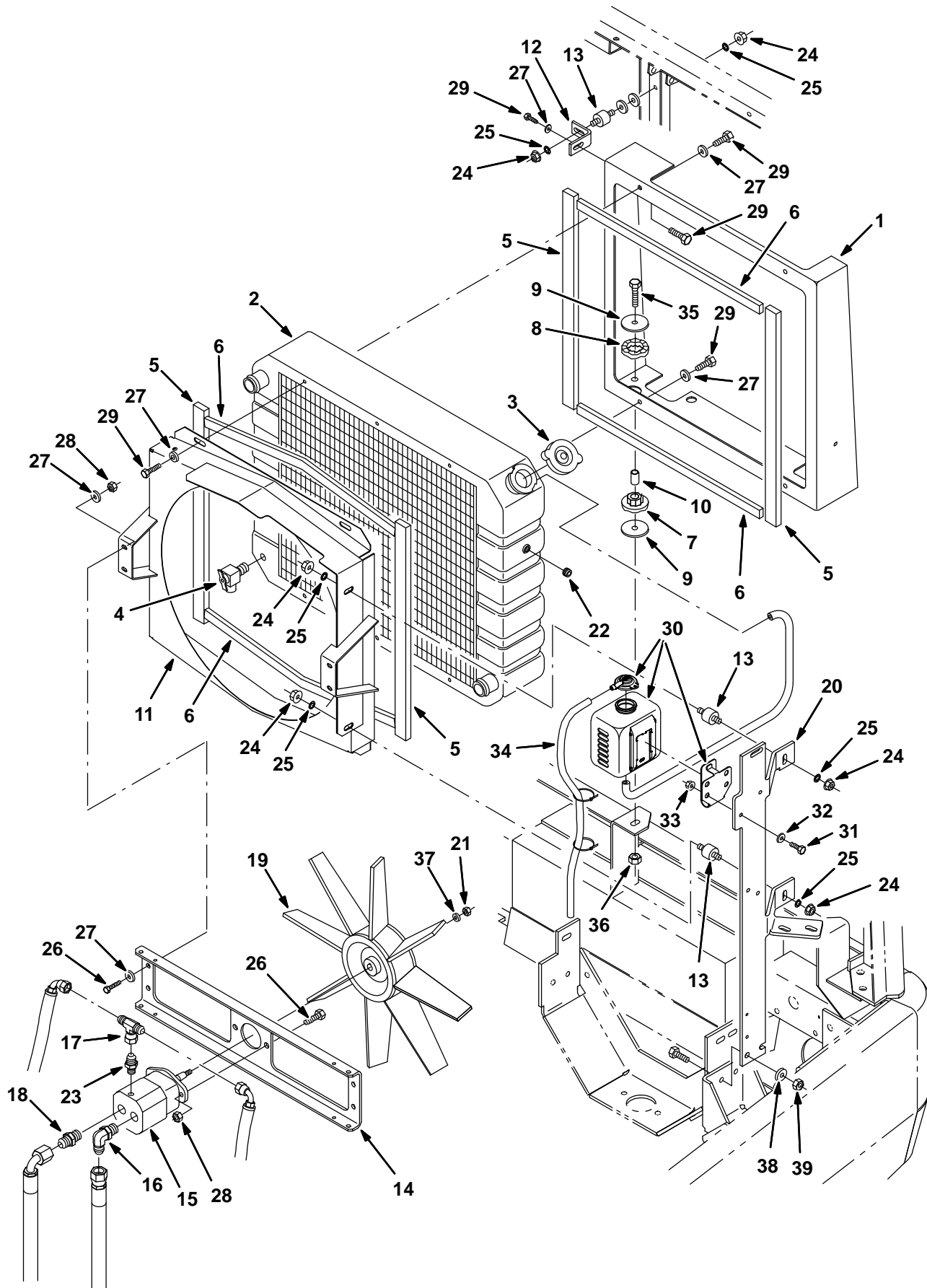


Fig. 64 – Engine Radiator and Cooling Fan Group (006309–006999)

Ref.	Part No.	Serial Number	Description	Qty.	
1	48056	(006309–006999)	Duct, Rear	1	
2	1041739AM	(006309–006999)	Radiator	1	
3	1045764	(006309–006999)	Cap, Radiator, 14psi [Stant]	1	
4	51305	(006309–006999)	Drain Cock, .25Npt Wh#120 Angl	1	
5	63818	(006309–006999)	Seal, Duct	4	
6	374230	(006309–006999)	Seal, Ure, 0.38 0.75w 19.5l Adh	4	
7	64621	(006309–006999)	Bushing, Isolator	2	
8	64618	(006309–006999)	Ring, Isolator, Outer Rbr	2	
9	58228	(006309–006999)	Washer, Flat, 0.44b 2.00d .12, Stl, Pl	4	
10	77452	(006309–006999)	Spacer	2	
11	9001070	(006309–006999)	Shroud, Fan, Radiator, W/ Label [800l]	1	
12	375511	(006309–006999)	Bracket, L, 2.20,2.00, .18T,1.	1	
13	51322	(006309–006999)	Isolator–Vibration .31–18	3	
14	1019188	(006309–006999)	Channel, Mtg, Fan Motor	1	
▽	15	63542	(006309–006999)	Motor–Hyd, Gear In 10.0 (See Breakdowns)	1
▲		00960	(006309–006999)	Key, Sq, 0.12 X 0.12, 0.50l	1
16	47512	(006309–006999)	Ftg–Hyd E90 Jm06/Om08	1	
17	35586	(006309–006999)	Fitting, Hyd, Tee, Jf06/Jm06/Jm06, Br	1	
18	52402	(006309–006999)	Ftg–Hyd Str Jm06/Om08	1	
19	375586	(006309–006999)	Fan, Radiator	1	
20	9001554	(006309–006999)	Bracket, Mtg, Fltr, Oil, W/Label [800l]	1	
21	74082	(006309–006999)	Nut–Hxlocnyln .31–24 Reg Pltd	1	
22	02247	(006309–006999)	Fitting, Plug	1	
23	50960	(006309–006999)	Fitting, Hyd, Str, Jm06/Om04	1	
24	19313	(006309–006999)	Nut, Hex, Std, .31–18	6	
25	32984	(006309–006999)	Washer, Lock, Int, 0.31	6	
26	39277	(006309–006999)	Screw, Hex, M8 X 1.25 X 25, 8.8	8	
27	32491	(006309–006999)	Washer, Flat, 0.31 Std	14	
28	08709	(006309–006999)	Nut, Hex, Lock, M8 X 1.25, NI	7	
29	16931	(006309–006999)	Screw, Hex, M8 X 1.25 X 20, 8.8	9	
30	1023853	(006309–006999)	Tank, Coolant, 04.7 03.3 4.7deep, 1liter	1	
31	06943	(006309–006999)	Screw, Hex, M6 X 1.0 X 20, 8.8	2	
32	19066	(006309–006999)	Washer, Flat, #10	2	
33	07790	(006309–006999)	Nut, Hex, Flng, M6 X 1.0	2	
34	381391	(006309–006999)	Hose, Drain, Overflow, Radiator	1	
35	27990	(006309–006999)	Screw, Hex, .38–16 X 2.00, 5	2	
36	50902	(006309–006999)	Nut, Hex, Lock, .38–16, NI	2	
37	41186	(006309–006999)	Washer, Belleville, .31	1	
38	32492	(006309–006999)	Washer, Flat, 0.38 Std	2	
39	41430	(006309–006999)	Nut, Hex, Lock, M10 X 1.5, NI	2	

STANDARD PARTS

Fig. 65 – Engine Radiator and Cooling Fan Group (007000–)

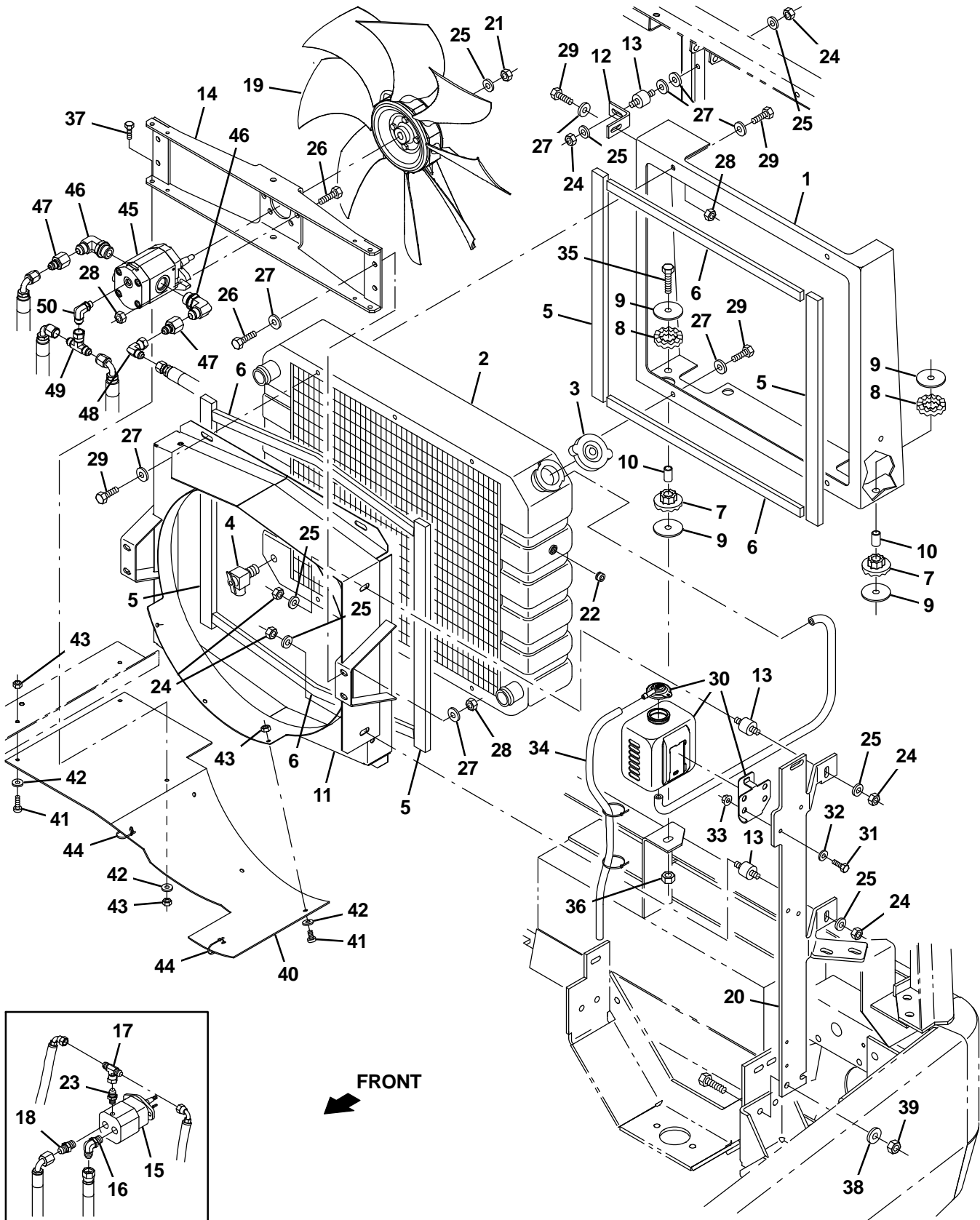


Fig. 65 – Engine Radiator and Cooling Fan Group (007000–)

Ref.	Part No.	Serial Number	Description	Qty.	
1	48056	(007000–)	Duct, Rear	1	
2	1041739AM	(007000–)	Radiator	1	
3	1045764	(007000–)	Cap, Radiator, 14psi [Stant]	1	
4	51305	(007000–)	Drain Cock, .25Npt Wh#120 Angl	1	
5	63818	(007000–)	Seal, Duct	4	
6	374230	(007000–)	Seal, Ure, 0.38 0.75w 19.5l Adh	4	
7	64621	(007000–)	Bushing, Isolator	2	
8	64618	(007000–)	Ring, Isolator, Outer Rbr	2	
9	58228	(007000–)	Washer, Flat, 0.44b 2.00d .12, Stl, Pl	4	
10	77452	(007000–)	Spacer	2	
11	9006741	(007000–007400)	Shroud Kit, Fan, Radiator [800/810]	1	
11	1056213	(007401–)	Shroud Wldt, Fan, Radiator [800/810]	1	
12	375511	(007000–)	Bracket, L, 2.20,2.00, .18T,1.	1	
13	51322	(007000–)	Isolator–Vibration .31–18	3	
14	1033344	(007000–007400)	Bracket Wldt, Mtg, Motor [2007]	1	
14	1051599	(007401–)	Bracket Wldt, Mtg, Motor	1	
▽	15	63542	(007000–008108)	Motor–Hyd, Gear In 10.0 (See Breakdowns)	1
▲		00960	(007000–008108)	Key, Sq, 0.12 X 0.12, 0.50l	1
	16	47512	(007000–008108)	Ftg–Hyd E90 Jm06/Om08	1
	17	35586	(007000–008108)	Fitting, Hyd, Tee, Jf06/Jm06/Jm06, Br	1
	18	52402	(007000–008108)	Ftg–Hyd Str Jm06/Om08	1
	19	1033497	(007000–)	Fan, Cooling, 18.0d, 8 Blade, 0.5b Taper	1
	20	9001554	(007000–)	Bracket, Mtg, Fltr, Oil, W/Label [800l]	1
	21	74082	(007000–008108)	Nut–Hxlocnyln .31–24 Reg Pltd	1
	21	08165	(008109–)	Nut, Hex, Stover, M8	1
	22	02247	(007000–)	Fitting, Plug	1
	23	50960	(007000–008108)	Fitting, Hyd, Str, Jm06/Om04	1
	24	19313	(007000–)	Nut, Hex, Std, .31–18	6
	25	41186	(007000–)	Washer, Belleville, .31	7
	26	39277	(007000–)	Screw, Hex, M8 X 1.25 X 25, 8.8	8
	27	32491	(007000–)	Washer, Flat, 0.31 Std	14
	28	08709	(007000–)	Nut, Hex, Lock, M8 X 1.25, NI	7
	29	16931	(007000–)	Screw, Hex, M8 X 1.25 X 20, 8.8	9
	30	1023853	(007000–)	Tank, Coolant, 04.7 03.3 4.7deep, 1liter	1
	31	06943	(007000–)	Screw, Hex, M6 X 1.0 X 20, 8.8	2
	32	19066	(007000–)	Washer, Flat, #10	2
	33	07790	(007000–)	Nut, Hex, Flng, M6 X 1.0	2
	34	381391	(007000–)	Hose, Drain, Overflow, Radiator	1
	35	27990	(007000–)	Screw, Hex, .38–16 X 2.00, 5	2
	36	50902	(007000–)	Nut, Hex, Lock, .38–16, NI	2
	37	06943	(007401–)	Screw, Hex, M6 X 1.00 X 20, 8.8	1
	38	32492	(007000–)	Washer, Flat, 0.38 Std	2
	39	41430	(007000–)	Nut, Hex, Lock, M10 X 1.5, NI	2
	40	1055893	(007401–)	Skirt, Cooling Fan [800/810]	1
	41	09145	(007401–)	Screw, Pan, Phl, M6 X 1.00 X 16, 4.8	5
	42	32490	(007401–)	Washer, Flat, 0.25, Std	6
	43	08708	(007401–)	Nut, Hex, Lock, M6 X 1.00, NI	6
	44	763114	(007401–)	Tie, Cable, 11.3l, 2.75d Max	2
	45	1071254	(008109–)	Motor, Hyd, Gear, Int 07.6 Bi–Dir 3000	1
	46	56821	(008109–)	Fitting, Hyd, E90, Jm08/Om10	2
	47	47753	(008109–)	Fitting, Hyd, Str, Jf08/Jm06	2
	48	47504	(008109–)	Fitting, Hyd, E90, Jf06/Jm06	1
	49	35586	(008109–)	Fitting, Hyd, Tee, Jf06/Jm06/Jm06, Br	1
	50	77098	(008109–)	Fitting, Hyd, E90, Jm06/Om04	1

Fig. 66 – Engine Battery Group (006000–006999)

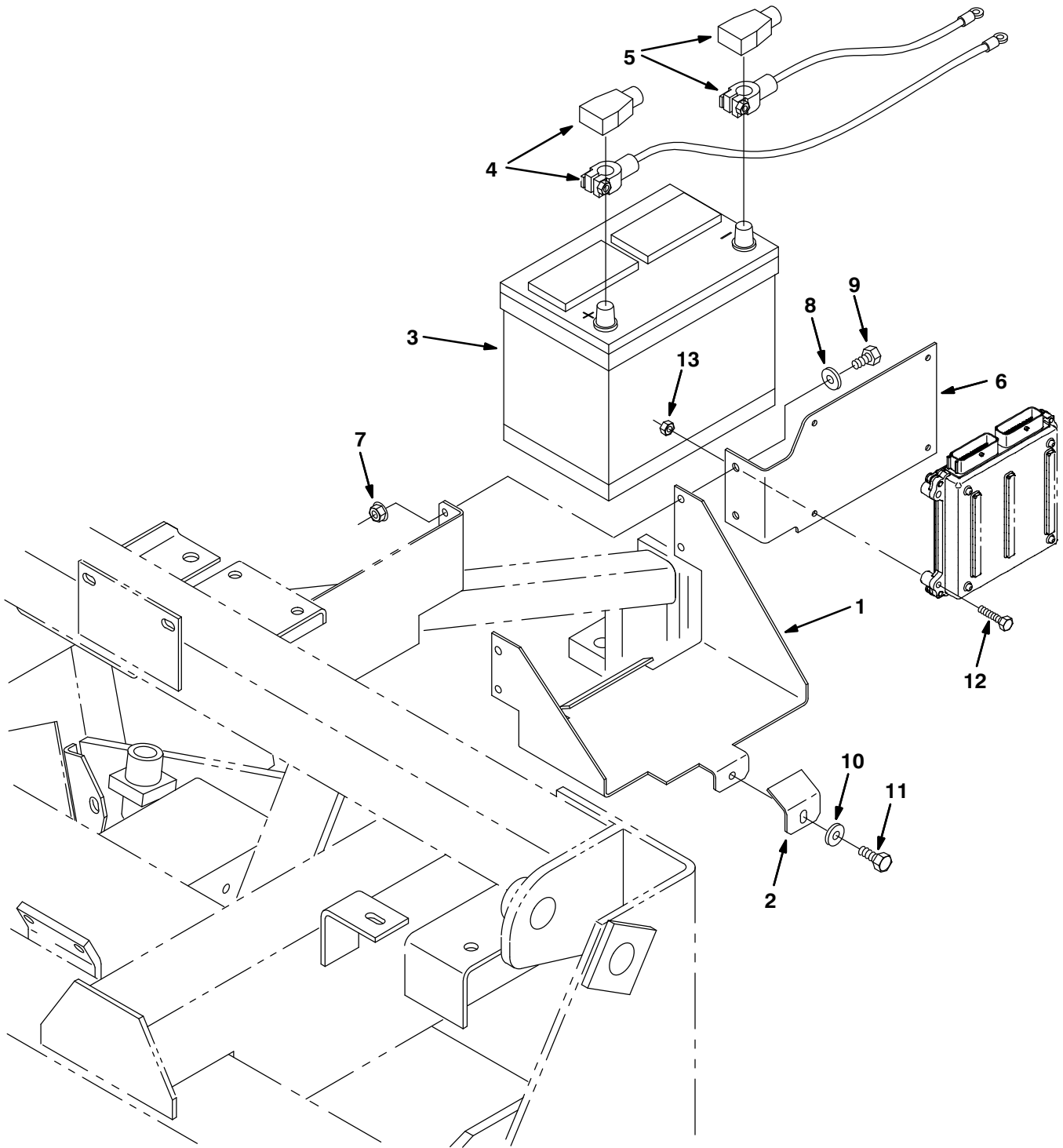


Fig. 66 – Engine Battery Group (004000–006999)

Ref.	Part No.	Serial Number	Description	Qty.
1	77490	(004000–006999)	Bracket, Mtg, Battery	1
2	77579	(004000–006999)	Bracket, Battery	1
3	77602	(004000–006999)	Battery, 12V, Wet	1
4	68869	(004000–006999)	Cable Assy–Batt,Pos, 48.0, 2Ga	1
5	60293	(004000–006999)	Wire, 42.0 Lg, 2Ga, Neg	1
6	1011655	(006000–006999)	Bracket, Eng	1
7	07791	(006000–006999)	Nut, Hex, Flng, M8 X 1.25	2
8	32491	(006000–006999)	Washer, Flat, 0.31 Std	2
9	16931	(006000–006999)	Screw, Hex, M8 X 1.25 X 20, 8.8	2
10	41186	(006000–006999)	Washer, Belleville, .31	1
11	39277	(006000–006999)	Screw, Hex, M8 X 1.25 X 25, 8.8	1
12	06946	(006000–006999)	Screw, Hex, M6 X 1.0 X 35, 8.8	4
13	08708	(006000–006999)	Nut, Hex, Lock, M 6 X 1.0, NI	4

Fig. 67 – Engine Battery Group (007000-)

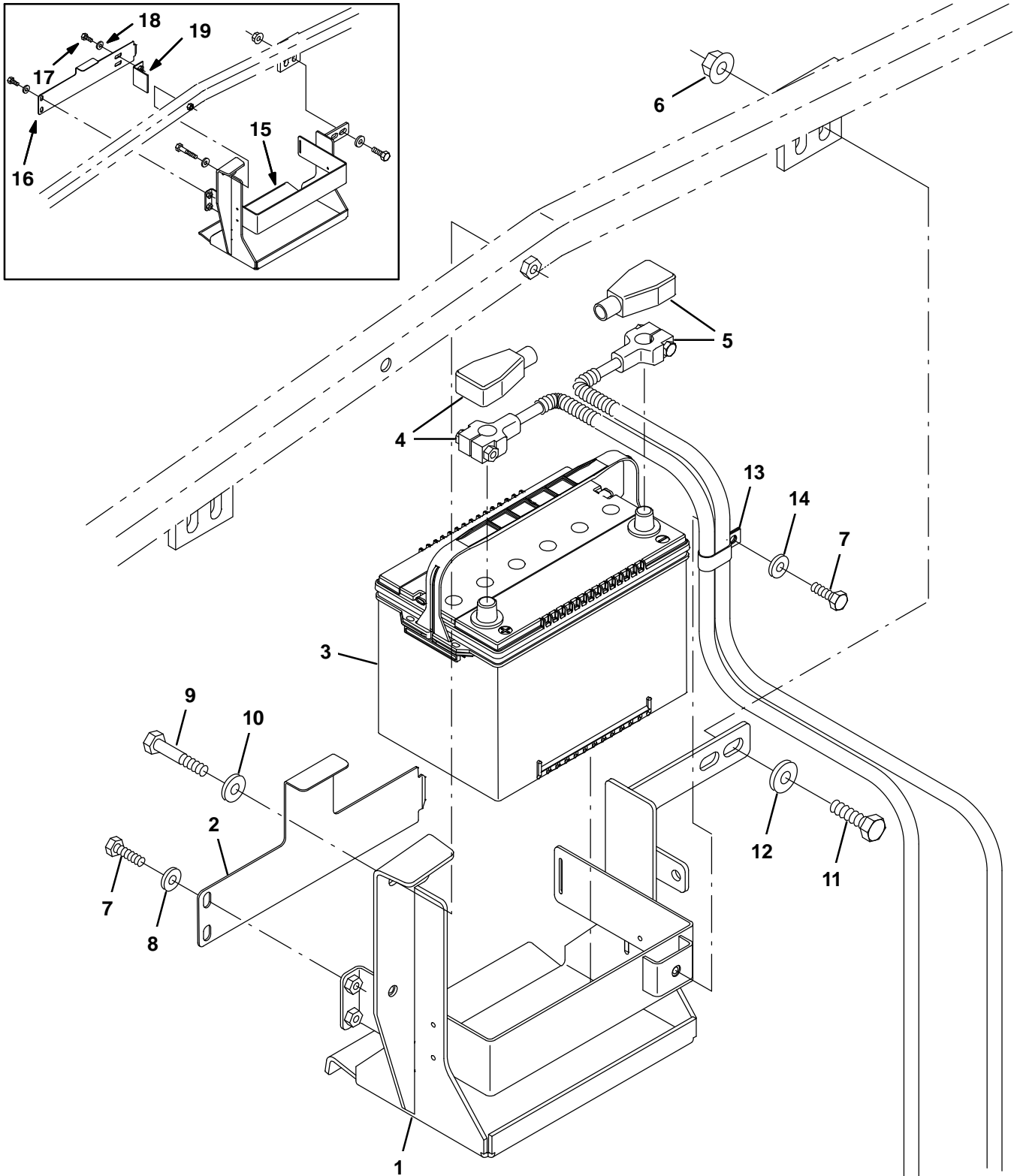


Fig. 67 – Engine Battery Group (007000–)

Ref.	Part No.	Serial Number	Description	Qty.
1	1073034	(008015–)	Bracket Wldt, Mtg, Battery [800 G/Lp/D]	1
2	1073030	(008015–)	Bracket, Retainer, Battery [800 G/Lp/D]	1
3	1073553	(007000–)	Battery, Wet, 12vdc 1000cca	1
4	68869	(007000–)	Cable, Battery, 02ga 48.0l Red .41ring	1
5	34821	(007000–)	Cable, Battery, 02ga 36.0l Blk .38ring	1
6	07793	(007000–)	Nut, Hex, Flng, M12 X 1.75	2
7	16931	(007000–)	Screw, Hex, M8 X 1.25 X 20, 8.8	3
8	41186	(007000–)	Washer, Flat, Belleville, .31	2
9	06963	(007000–)	Screw, Hex, M10 X 1.5 X 60, 8.8	2
10	32492	(007000–)	Washer, Flat, 0.38, Std	2
11	06969	(007000–)	Screw, Hex, M12 X 1.75 X 40, 8.8	2
12	32486	(007000–)	Washer, Flat, 0.50, Sae	2
13	67366	(008015–)	Clamp, Cable, Stl, 1.0x2.0x0.62w, 1hole	1
14	32491	(008015–)	Washer, Flat, 0.31, Std	1
15	1012785	(007000–008014)	Bracket Wldt, Mtg, Battery	1
16	1011788	(007000–008014)	Bracket, Retainer, Battery	1
17	16931	(007000–008014)	Screw, Hex, M8 X 1.25 X 20, 8.8	2
18	41186	(007000–008014)	Washer, Flat, Belleville, .31	2
19	1011795	(007000–008014)	Bracket, Retainer, Battery	1

Fig. 68 – Wheel Group, Rear Drive

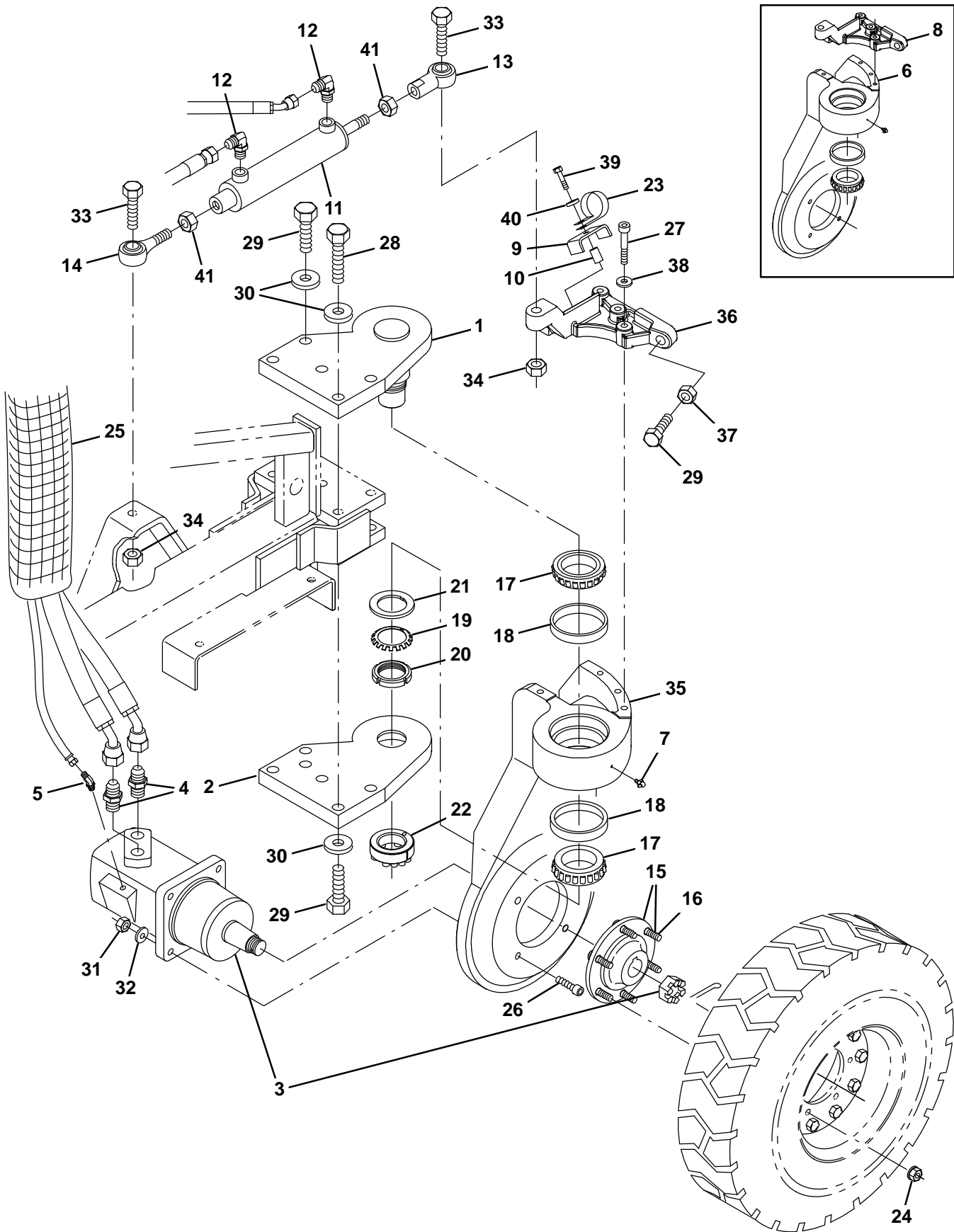


Fig. 68 – Wheel Group, Rear Drive

Ref.	Part No.	Serial Number	Description	Qty.	
1	63491	(004000–)	Pivot Wldt, Wheel	1	
2	63471	(004000–)	Plate, Pivot, Wheel	1	
3	63426	(004000–004206)	Motor–Hyd Gear In (See Breakdowns)	1	
3	22626	(004207–004936)	Motor–Hyd Gear (See Breakdowns)	1	
3	373464	(004937–007697)	Motor–Hyd Gear (See Breakdowns) (Replaced by 1068905)	1	
▽	3	1068905	(007698–)	Motor, Hyd, Gear, Int 29.9 Bi–Dir 3000	1
▲		9013665	(007698–)	Seal Kit, Front, Shaft	1
4	9008645	(004000–007467)	Hose Kit, Rear Drive, Replmt	1	
4	79872	(007468–)	Fitting, Hyd, Str, Fm12/Om16	2	
5	34359	(004000–004936)	Ftg–Hyd E45 Jm04/Om04	1	
5	47522	(004937–)	Fitting, Hyd, E45, Jm06/Om06	1	
6	63540	(004000–004033)	Housing, Sppt, Wheel (Repl. by 375534)	1	
6	21740	(004034–007529)	House, Wheel	1	
7	09718	(004000–)	Ftg, Grease.25–28Th 90 .75L	1	
8	63543	(004000–004033)	Bracket, Steering, Machining (Replaced by 375534)	1	
8	375575	(004034–007529)	Bracket, Steering, Machining	1	
9	73733	(004000–)	Channel, Retainer	1	
10	73731	(004000–)	Sleeve, .375B .62D1.06 Stl	1	
11	53601	(004000–006460)	Cylinder, Hyd, 2.0b,15.0l, (Replaced by1028492) (See Breakdowns)	1	
11	1028492	(006461–)	Cylinder, Hyd, 2.0b 15.0l 08.00strk 1500	1	
12	56820	(004000–)	Ftg–Hyd E90 Jm06/Om06	2	
13	64887	(004000–)	Balljoint, Rod End	1	
14	64886	(004000–)	Balljoint, Rod End	1	
▽	15	79140	(004000–)	Hub and Stud Assy.	1
▲	16	79152	(004000–)	Stud, Wheel .56–18x2.13	6
17	51341	(004000–)	Bearing–Cone, 2.63Bore 0.87Wth	2	
18	51340	(004000–)	Bearing–Cup , 4.33Dia 0.74Wth	2	
19	369701	(004000–)	Washer,Lock Special	1	
20	41073	(004000–)	Nut,Lock–Special 2.16–18Uns	1	
21	375762	(004000–)	Washer	1	
22	63496	(004000–)	Ring, Retainer, Lock	1	
23	67767	(004000–)	Clamp, Cable	1	
24	79153	(004000–)	Nut, Wheel Lug	6	
25	82832	(004000–)	Sleeve, Nyl, 37, 25.0l	1	
26	39305	(004000–)	Scr–soc .50–13x2.75 Alloypltd	4	
27	375576	(004000–)	Scr–soc M12x1.75 60	4	
28	06995	(004000–)	Screw, Hex, M20 X 2.5 X 70, 8.8	3	
29	06993	(004000–)	Screw, Hex, M20 X 2.5 X 60, 8.8	7	
30	39350	(004000–)	Washer, Flat, 0.75, Sae	10	
31	32985	(004000–)	Nut, Hex, Lock, .50–13, NI	4	
32	32486	(004000–)	Washer, Flat, 0.50, Sae	4	
33	54833	(004000–)	Screw, Hex, .75–10 X 2.50, G5	2	
34	32987	(004000–)	Nut, Hex, Lock, .75–10, NI	2	
35	1071056	(007530–)	Housing, Sppt, Wheel, Rear	1	
36	1053585	(007530–)	Bracket, Arm, Steering	1	
37	07783	(004000–)	Nut, Hex, Std, M20 X 2.50, 8	1	
38	39346	(004000–)	Washer, Flat, 0.44, Std	4	
39	39278	(004000–)	Screw, Hex, M8 X 1.25 X 50, 8.8	1	
40	32491	(004000–)	Washer, Flat, 0.31, Std	1	
41	43958	(004000–)	Nut, Hex, Std, .75–16	2	

Fig. 69 – Wheels and Brakes Group, Front

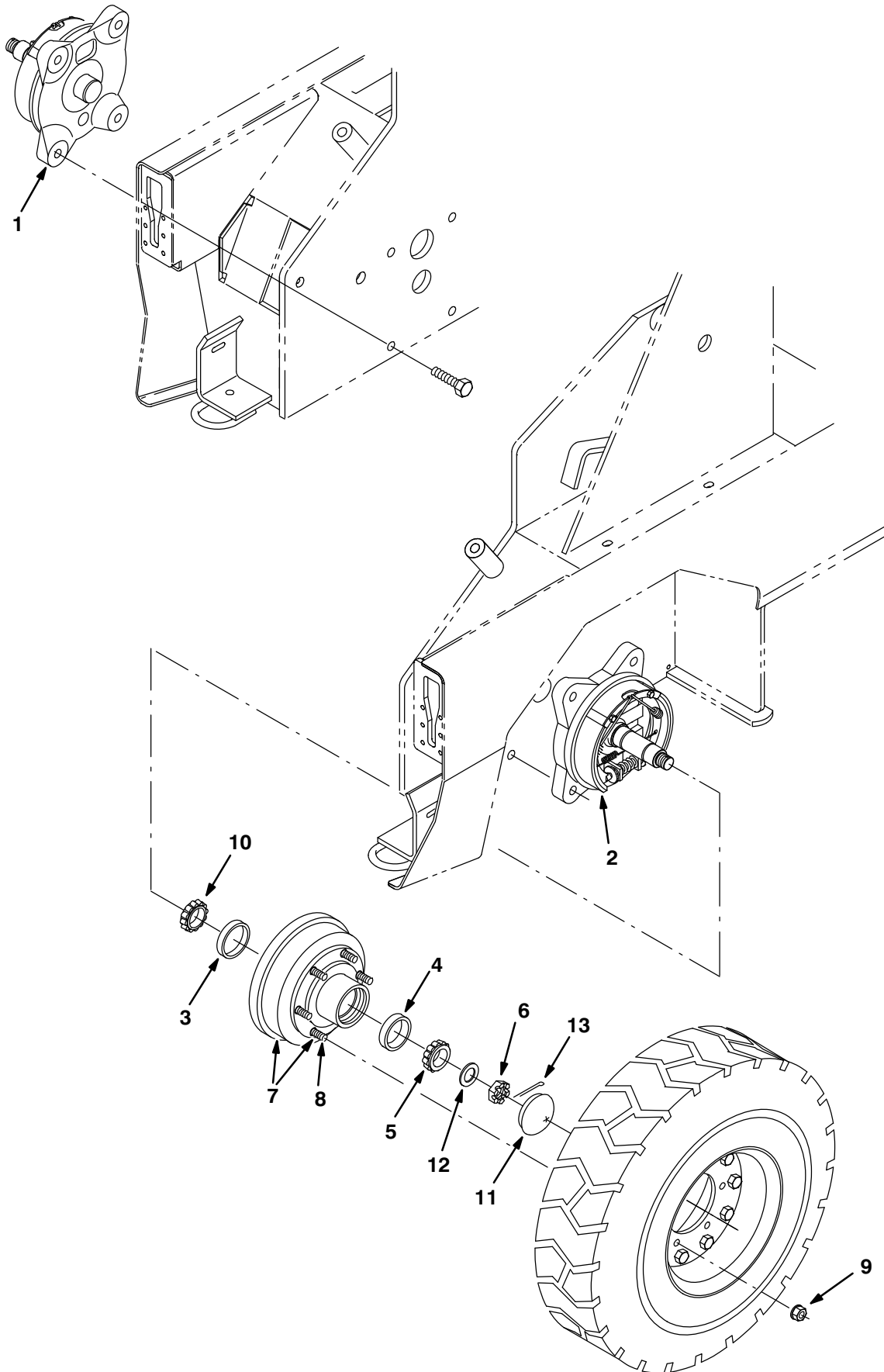


Fig. 69 – Wheels and Brakes Group, Front

Ref.	Part No.	Serial Number	Description	Qty.
1	77790	(004000–) Brake Assy, Rh (See Breakdowns)	1
2	77770	(004000–) Brake Assy, Lh (See Breakdowns)	1
3	17808	(004000–) Bearing–Cup, 2.72Dia 0.59Wth	2
4	51338	(004000–) Bearing–Cup, 2.56Dia 0.55Wth	2
5	51193	(004000–) Bearing–Cone, 1.38Bore 0.72Wth	2
6	14242	(004000–) Nut–Hxslot 1.00–20 Pltd	2
▽	7	79151	(004000–) Drum Assy, Brake 9/16	2
▲	8	79152	(004000–) Stud, Wheel .56–18x2.13	6
	9	79153	(004000–) Nut, Wheel Lug, 9/16–18	12
10	17809	(004000–) Bearing–Cone, 1.50Bore 0.75Wth	2
11	51373	(004000–) Cap, Grease Black Paint	2
12	32598	(004000–) Washer, Flat, 1.02b 1.75d .12, Stl	2
13	08180	(004000–) Pin, Cotter, .125 X 2.00	2

Fig. 70 – Wheel Assembly

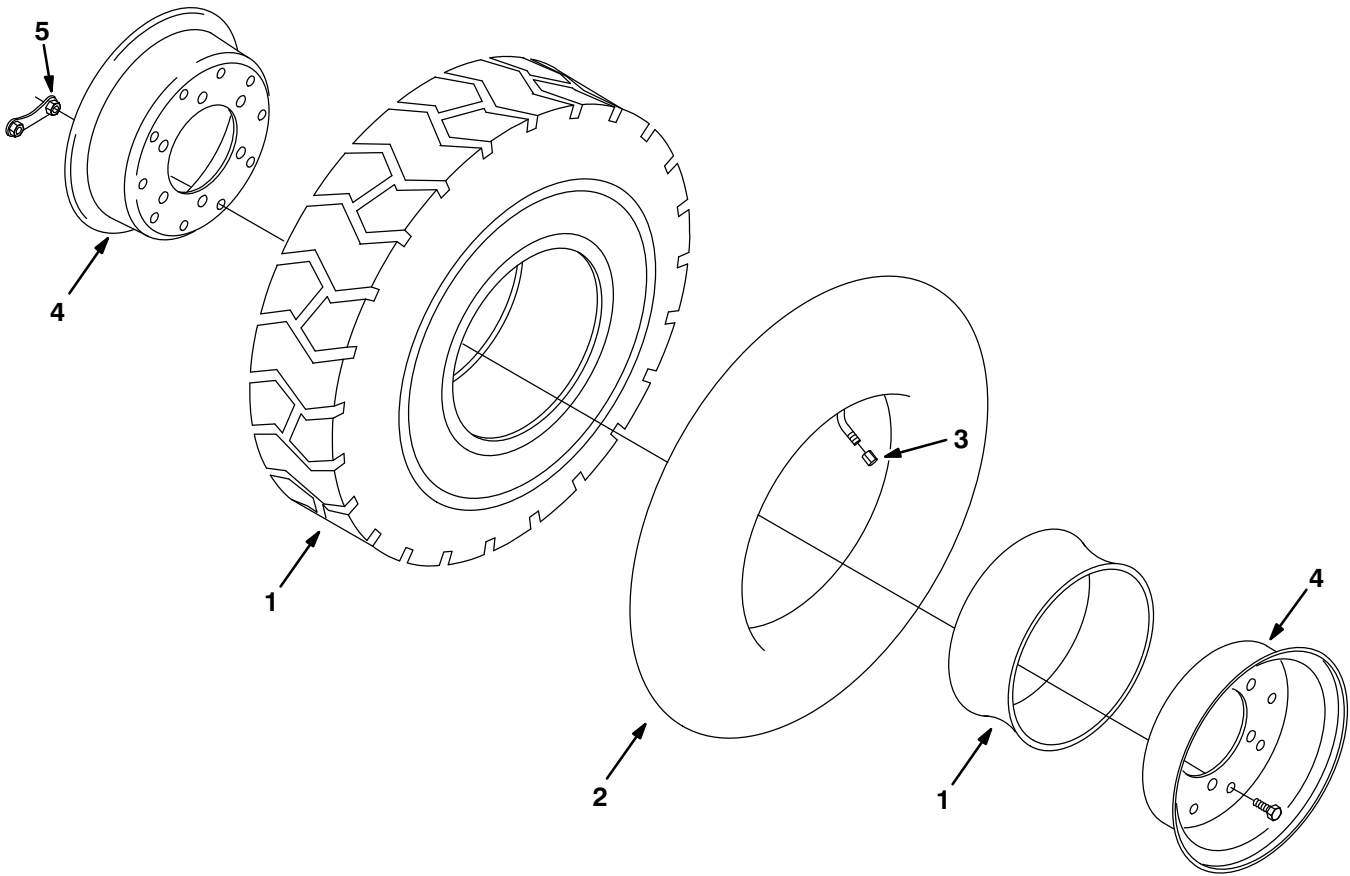


Fig. 70 - Wheel Assembly

	Ref.	Part No.	Serial Number	Description	Qty.
▽		1064126	(004000-) Tire & Rim Assy, Pneu 6.50-10	3
▲	1	1064125	(004000-) Tire & Flap Assy	1
▲	2	64058	(004000-) Tube, Inner	1
▲	3	45786	(004000-) Cap, Valve Stem	1
▲	4	21672	(004000-) Hub Assy	1
	5	21259	(004000-) Plate Wldt, Wheel Lock (CE Only)	6

Fig. 71 – Brake Pedals Group

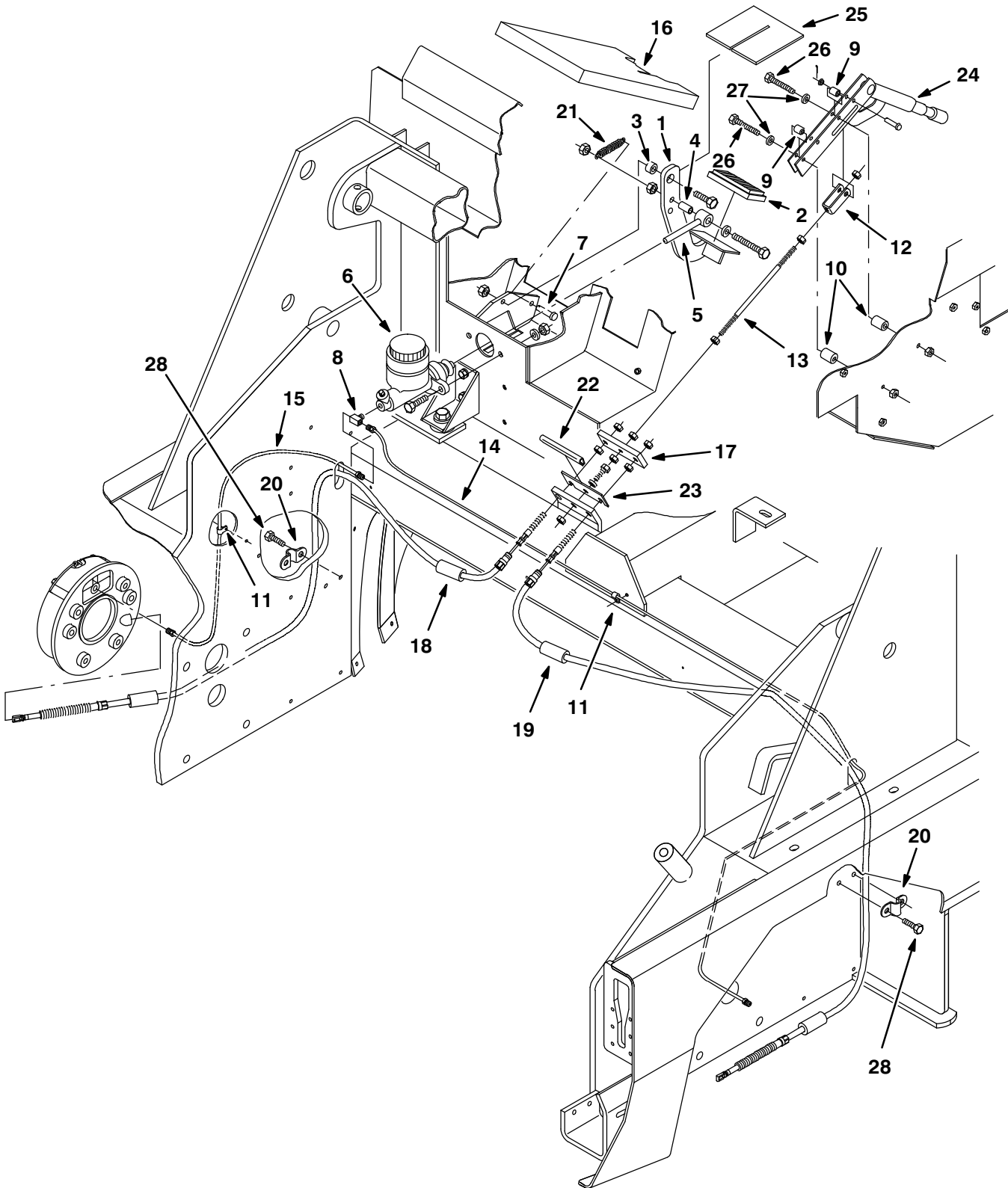


Fig. 71 – Brake Pedals Group

Ref.	Part No.	Serial Number	Description	Qty.	
1	63295	(004000–008088)	Pedal Wldt	1	
1	1073812	(008089–)	Pedal Wldt, Brake [800 Gray]	1	
2	51109	(004000–)	Pad	1	
3	64635	(004000–)	Spacer	1	
4	57311	(004000–)	Spacer–.50 Od X .055W X 1.0	1	
5	70550	(004000–)	Rod Wldt, Push, Brake	1	
▽	6	64950	(004000–)	Cylinder, Master Brake	1
▲	374240	(004000–)	Cap, Cyl Assy, Master Brake	1	
7	76653	(004000–)	Pin, Clevis .375D X 1.000 Lg	1	
8	51483	(004000–)	Ftg,Brass,Tee 06lf– 02Pm– 06lf	1	
9	51562	(004000–)	Sleeve, .344B .50D .81 Cr.Anc	2	
10	86034	(004000–)	Spacer, Brake	2	
11	46236	(004000–)	Clamp–Cable, 0.25Dia 0.56Wth	4	
12	76491	(004000–)	Bracket, Adjuster, Brake	1	
13	76490	(004000–)	Rod–Thread, 2End M08X1.25X10Lg	1	
14	79593	(004000–)	Tube Assy, Brake	1	
15	79594	(004000–)	Tube Assy, Brake	1	
16	375526	(004000–)	Insulation, S/Foam 1.0 Seal Brake Pedal	1	
17	70506	(004000–)	Bar, Equalizer	1	
18	64556	(004000–)	Cable, Brake, Park	1	
19	64558	(004000–)	Cable, Brake, Park	1	
20	65129	(004000–)	Clamp, Cable– Brake	2	
21	75575	(004000–)	Spring, Tens,0.5Dx.06Wire 2.5L	1	
22	31775	(004000–)	Molding, Trim 11–14Ga 4.0	1	
23	74022	(004000–)	Strip, Retainer, Brake Cable	1	
24	51545	(004000–)	Lever, Brake	1	
25	380717	(004000–)	Insulation, Sound Foam	1	
26	39279	(004000–)	Screw, Hex, M8 X 1.25 X 70, 8.8	2	
27	32491	(004000–)	Washer, Flat, 0.31 Std	2	
28	16735	(004000–)	Screw, Hex, M8 X 1.25 X 16, 8.8	4	

Fig. 72 – Directional Pedal Group

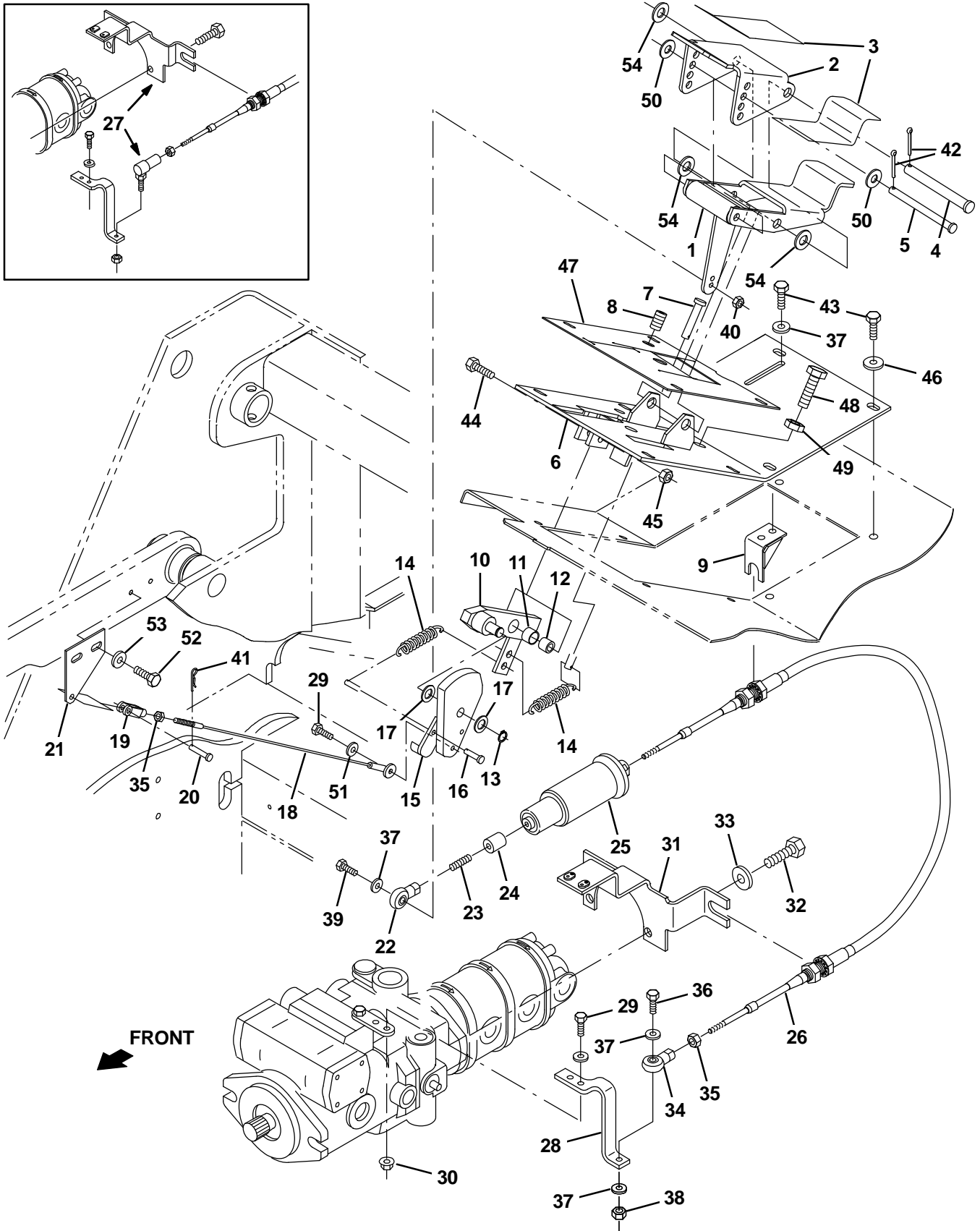


Fig. 72 – Directional Pedal Group

Ref.	Part No.	Serial Number	Description	Qty.
1	380683	(004000–008088)	Pedal, Propel, Lower, W/ Tread	1
1	9012874	(008089–)	Pedal, Propel, Lower, W/Tread [800 Gray]	1
2	84103	(004000–008088)	Pedal, Propel, Upper, W/ Tread	1
2	9012859	(008089–)	Pedal, Propel, Upper, W/ Tread	1
3	82839	(004000–)	Tread, Non–Skid, 02.2w 11.5l	1
4	59668	(004000–)	Pin, Clevis, 0.50d X 4.50l	1
5	59672	(004000–)	Pin, Clevis, 0.37d X 4.50l	1
6	380566	(004000–008088)	Panel Wldt, Access, Floor	1
6	1073847	(008089–)	Panel Wldt, Access, Floor [800 Gray]	1
7	76647	(004000–)	Pin, Clevis, 0.37d X 1.31l	1
8	76523	(004000–)	Screw, Set, Soc, M10 X 1.50 X 20	1
9	380567	(004000–)	Bracket Wldt, Mtg, Propel Cable	1
10	70747	(004000–)	Bellcrank Wldt, Pivot, Dir Cntrl	1
11	07449	(004000–)	Bushing, Sleeve, 0.62b 0.72d 0.50l, Fgl	1
12	74051	(004000–)	Tube, 0.41id 0.62od 00.5l, Stl [H/T]	1
13	86953	(004000–)	Ring, Retaining, Ext, 0.50d, Ss	1
14	54222	(004000–)	Spring, Extn, 1.00od 0.09wir 02.8l	2
15	70783	(004000–)	Cam Wldt, Limiter, Spd	1
16	82168	(004000–)	Pin, Clevis, 0.25d X 1.00l	1
17	41722	(004000–)	Washer, Flat, 0.52b 0.90d .07, Stl, Pl	2
18	70749	(004000–)	Cable, Pull, .09d 18.3l .25eye / .25–28	1
19	14595–1	(004000–)	Clevis, Adj, 0.25pin, 0.25–28 Rh, Pl	1
20	14605	(004000–)	Pin, Clevis, 0.25d X 0.75l	1
21	70725	(004000–)	Plate, Limiter, Spd	1
22	68866	(004000–)	Rod–End, 0.25–28rh Fem 0.25b [Ptfе]	1
23	1212666	(004000–)	Screw, Set, .25–28 X 1.00, Ss	1
24	380568	(004000–)	Bar, Hex, Stl 0.63, 00.88 .25–28	1
25	63292	(004000–)	Spring Assy, Centering, Lbs . Travel	1
26	63276	(004000–)	Cable, Push / Pull, 096.0l .25–28/.25–28	1
27	9001293	(004000–004034)	Bracket Kit, Mtg, Cable, Replmt[800/810]	1
28	380514	(004000–)	Arm, Cntrl, Pintle	1
29	06943	(004000–)	Screw, Hex, M6 X 1.00 X 20, 8.8	3
30	07790	(004000–)	Nut, Hex, Flng, M6 X 1.00	2
31	1020982	(004035–)	Bracket, Mtg, Propel Cable	1
32	21198	(004000–)	Screw, Hex, .38–16 X 1.25, G5	2
33	32485	(004000–)	Washer, Flat, 0.38, Sae	2
34	68866	(004035–)	Rod–End, 0.25–28rh Fem 0.25b [Ptfе]	1
35	32899	(004000–)	Nut, Hex, Jam, .25–28	2
36	25046	(004035–)	Screw, Hex, .25–20 X 1.00, G5	1
37	32490	(004035–)	Washer, Flat, 0.25, Std	7
38	41169	(004035–)	Nut, Hex, Lock, .25–20, NI, Ss	1
39	07805	(004000–)	Screw, Hex, M6 X 1.00 X 35, Ss	1
40	08712	(004000–)	Nut, Hex, Lock, M6 X 1.00, NI, Ss	1
41	08085	(004000–)	Pin, Cotter, Hair, 0.31d .058 Wir	1
42	08346	(004000–)	Pin, Cotter, .125 X 0.75	2
43	12273	(004000–)	Screw, Hex, M8 X 1.25 X 20, NI, Ss	9
44	39285	(004000–)	Screw, Hex, M10 X 1.50 X 40, 8.8	1
45	41430	(004000–)	Nut, Hex, Lock, M10 X 1.5, NI	1
46	1017218	(004000–)	Washer, Flat, 0.32b 1.00d .12, Ss	7
47	79116	(004000–)	Seal, Dust	1
48	06969	(004000–)	Screw, Hex, M12 X 1.75 X 40, 8.8	2
49	39313	(004000–)	Nut, Hex, Std, M12 X 1.75	2
50	32492	(004000–)	Washer, Flat, 0.38, Std	2
51	19066	(004000–)	Washer, Flat, 0.25b 0.56d .05, Pl, 10	1
52	16931	(004000–)	Screw, Hex, M8 X 1.25 X 20, 8.8	2
53	32491	(004000–)	Washer, Flat, 0.31, Std	2
54	32486	(004000–)	Washer Flat, 0.50, Sae	3

Fig. 73 – Hydraulic Pumps Group

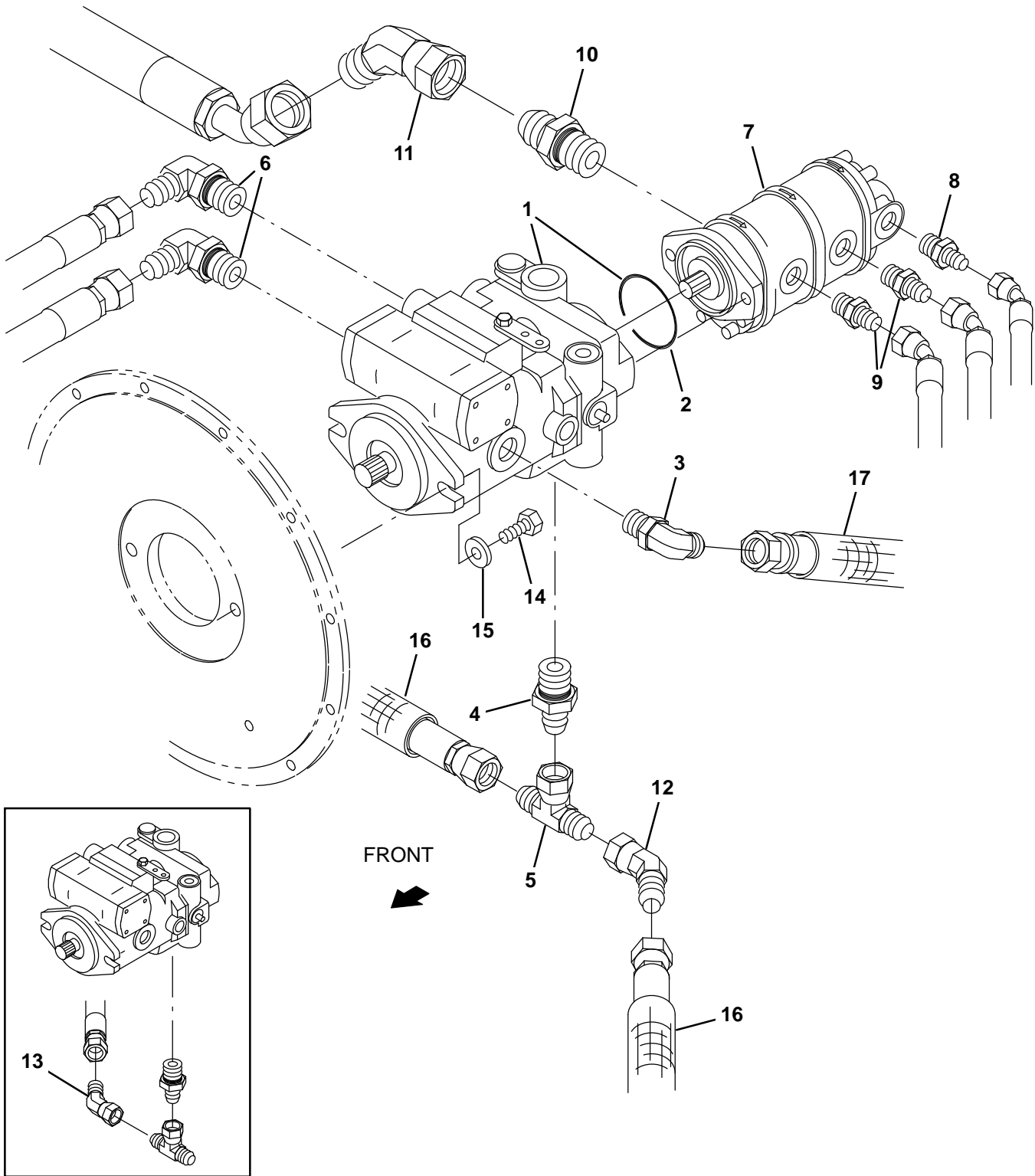
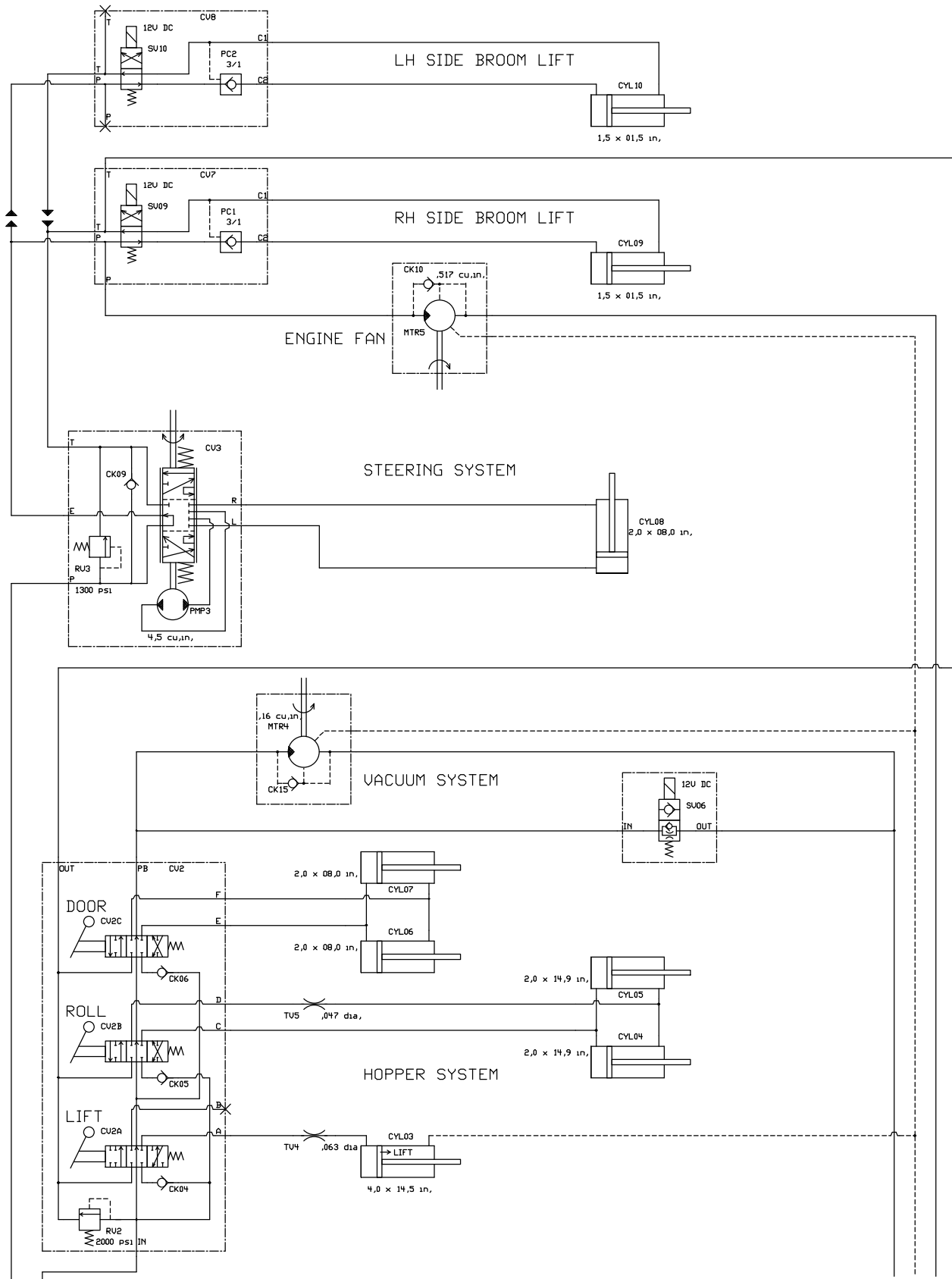


Fig. 73 – Hydraulic Pumps Group

Ref.	Part No.	Serial Number	Description	Qty.
	1	74163	(004000–004586) Pump–Hyd Piston V (See Breakdowns)	1
▽	1	373404	(004587–) Pump–Hyd Piston V (See Breakdowns)	1
▲	2	65145–1	(004000–) O–Ring Gland	1
	3	46481	(004000–) Ftg–Hyd E90 Jm12/Om12	1
	4	67310	(004000–) Ftg–Hyd Str Jm12/Om16	1
	5	62389	(004000–) Ftg–Hyd Tee Jm12/Jfjm	1
	6	9008645	(004000–007467) Hose Kit, Rear Drive, Replmt	1
	6	767407	(007468–) Fitting, Hyd, E90, Fm12/Om16	2
	7	62561	(004000–004936) Pump–Hyd Gear Ex (See Breakdowns)	1
	7	373254	(004937–) Pump–Hyd Gear Ex (See Breakdowns)	1
	8	47508	(004000–) Ftg–Hyd Str Jm06/Om10	1
	9	56692	(004000–) Ftg–Hyd Str Jm08/Om10	2
	10	58858	(004000–) Ftg–Hyd Str Jm20/Om20	1
	11	19544	(004000–) Ftg–Hyd E45 Jm20/Jf20	1
	12	07934	(004000–) Ftg–Hyd E45 Jm12/Jf12	1
	13	07934	(004000–008014) Fitting, Hyd, E45, Jf12/Jm12	1
	14	39810	(004000–) Screw, Hex, .50–13 X 1.25, G5	2
	15	32436	(004000–) Fitting, Plug, .50–20 Hex [Perk]	2
	16	50121	(008015–) Sleeve, Nyl, 1.63id 08.0l	2
	17	82830	(008015–) Sleeve, Nyl, 1.63id 16.0l	1

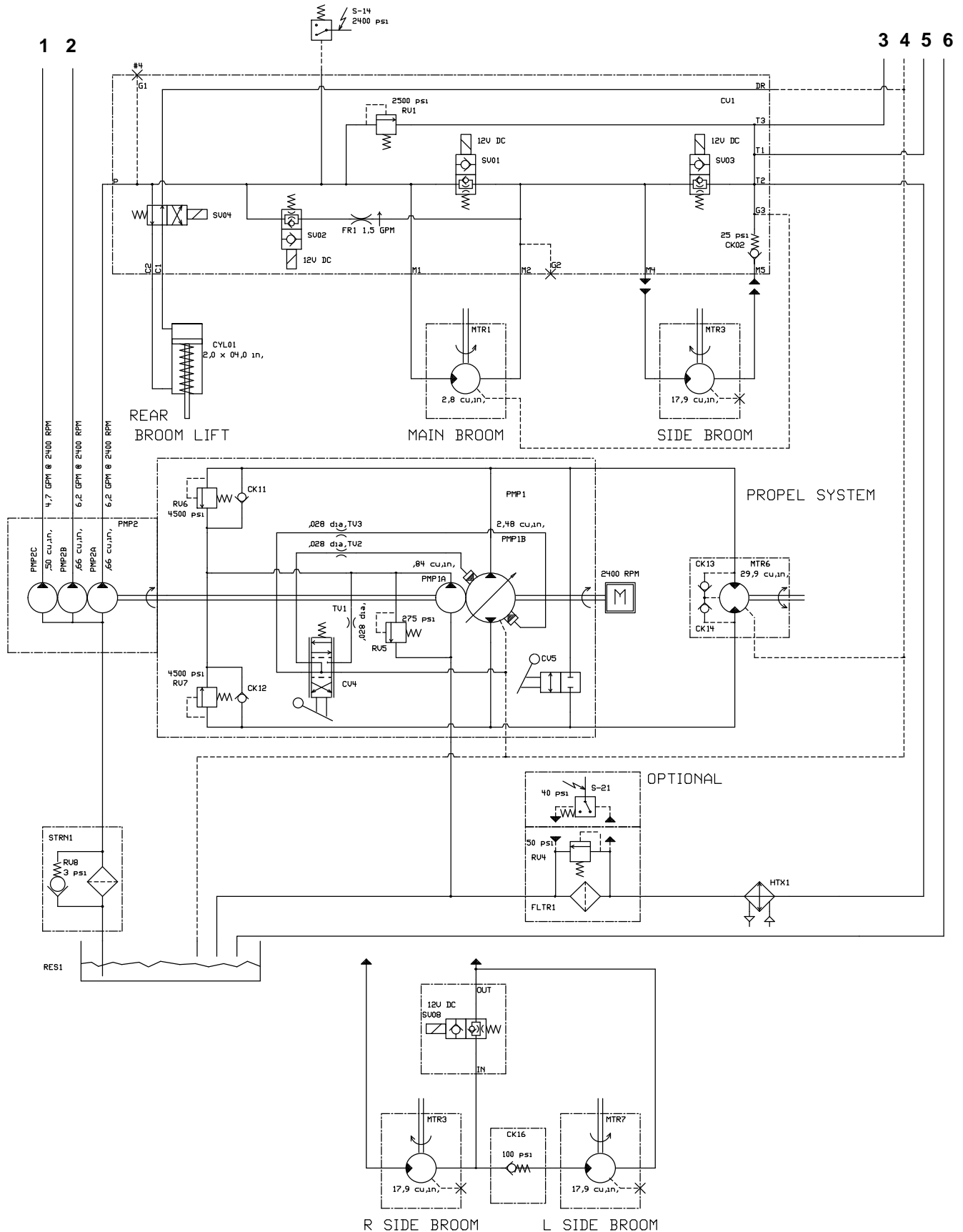
Fig. 74 – Hydraulic Schematic



1 2

3 4 5 6

Fig. 74 – Hydraulic Schematic



09912 – 800

Fig. 75 – Hydraulic Hose Group (004000-004936)

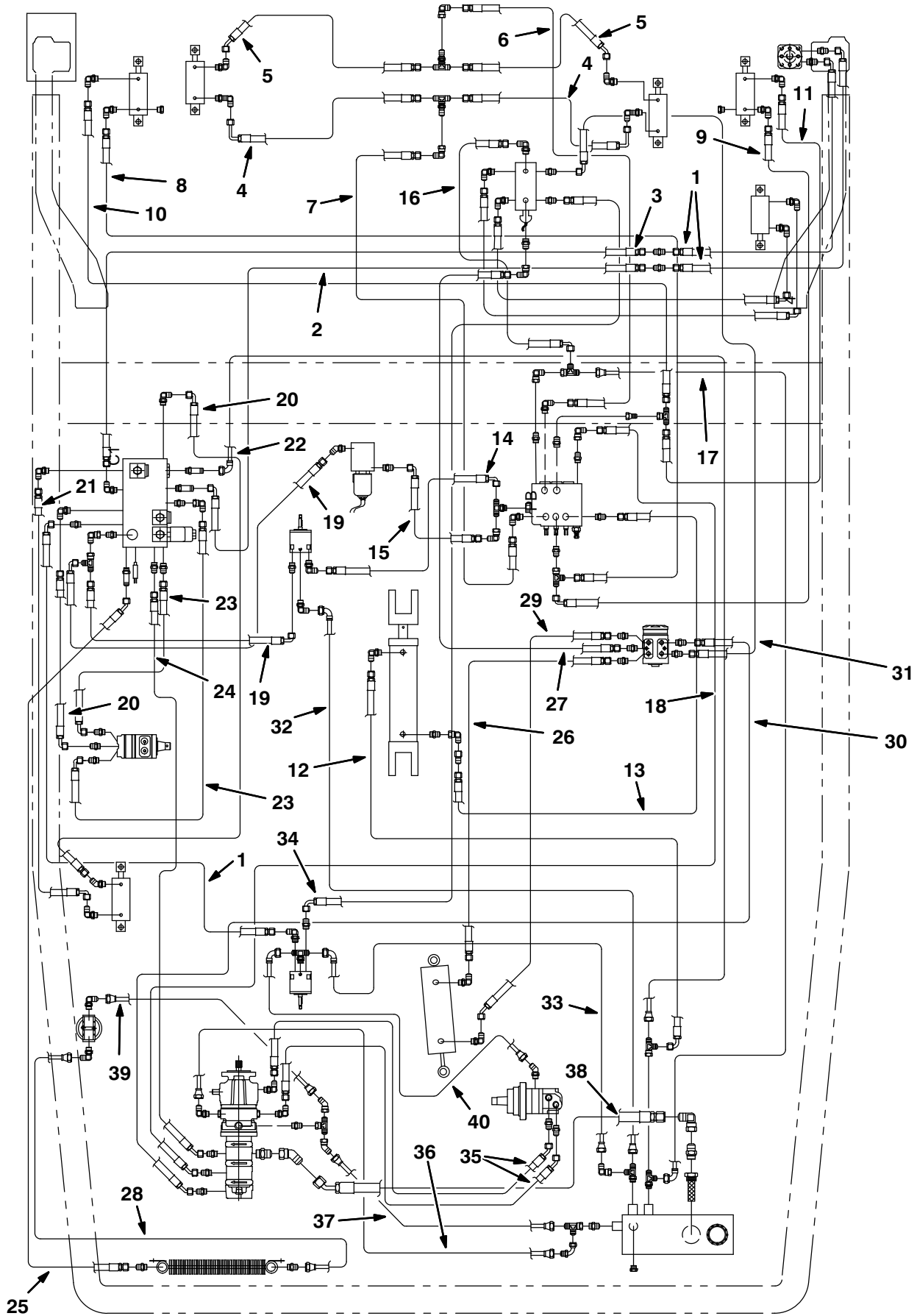


Fig. 75 – Hydraulic Hose Group (004000–004936)

Ref.	Part No.	Serial Number	Description	Qty.
1	65194	(004000–004936)	Hose, Hyd, Med06, Jf06e90/Jf06str, 072.0	3
2	65197	(004000–004936)	Hose, Hyd, Med08, Jf08e90/Jf08str, 062.0	1
3	65224	(004000–004936)	Hose, Hyd, Med08, Jf08str/Jf08str, 066.0	1
4	65188	(004000–004936)	Hose, Hyd, Med04, Jf04e90/Jf04str, 038.0	2
5	57173	(004000–004936)	Hose, Hyd, Med04, Jf04e45/Jf04str, 034.0	2
6	76498	(004000–004936)	Hose, Hyd, Tc04, Jf04str/Jf04str, 138.0	1
7	79642	(004000–004936)	Hose, Hyd, Tc04, Jf04str/Jf04str, 142.0	1
8	21117	(004000–004936)	Hose, Hyd, Tc04, Jf04str/Jf04str, 098.0	1
9	21119	(004000–004936)	Hose, Hyd, Tc04, Jf04e90/Jf04str, 092.0	1
10	77641	(004000–004936)	Hose, Hyd, Tc04, Jf04str/Jf04str, 114.0	1
11	77640	(004000–004936)	Hose, Hyd, Tc04, Jf04str/Jf04str, 106.0	1
12	71552	(004000–004936)	Hose, Hyd, Med06, Jf06e90/Jf06str, 046.0	1
13	55700	(004000–004936)	Hose, Hyd, Med04, Jf04str/Jf04str, 026.0	1
14	82843	(004000–004936)	Hose, Hyd, Med08, Jf08e90/Jf08str, 028.0	1
15	82820	(004000–004936)	Hose, Hyd, Med08, Jf08e90/Jf08str, 034.0	1
16	65195	(004000–004936)	Hose, Hyd, Med06, Jf06e90/Jf06str, 023.0	1
17	65212	(004000–004936)	Hose, Hyd, Low06, Jf06e90/Jf06str, 060.0	1
18	65204	(004000–004936)	Hose, Hyd, Med08, Jf08e45/Jf08str, 106.0	1
19	34355	(004000–004936)	Hose, Hyd, Med08, Jf08e90/Jf08str, 040.0	2
20	57963	(004000–004936)	Hose, Hyd, Med04, Jf04e90/Jf04str, 056.0	4
21	34379	(004000–004936)	Hose, Hyd, Med04, Jf04e90/Jf04str, 072.0	1
22	65213	(004000–004936)	Hose, Hyd, Low06, Jf06e90/Jf06str, 086.0	1
23	34360	(004000–004936)	Hose, Hyd, Med08, Jf08e90/Jf08str, 058.0	2
24	33799	(004000–004936)	Hose, Hyd, Med08, Jf08e45/Jf08str, 060.0	1
25	65199	(004000–004936)	Hose, Hyd, Med12, Jf12e45/Jf12str, 074.0	1
26	01987	(004000–004936)	Hose, Hyd, Med06, Jf06str/Jf06str, 027.0	1
27	16431	(004000–004936)	Hose, Hyd, Med06, Jf06str/Jf06str, 022.0	1
28	82835	(004000–004936)	Hose, Hyd, Low12, Jf12str/Jf12str, 038.0	1
29	76497	(004000–004936)	Hose, Hyd, Med06, Jf06e45/Jf06str, 035.0	1
30	65191	(004000–004936)	Hose, Hyd, Med06, Jf06e45/Jf06str, 112.0	1
31	57944	(004000–004936)	Hose, Hyd, Med06, Jf06e90/Jf06str, 024.0	1
32	21729	(004000–004936)	Hose, Hyd, Low04, Jf04e90/Jf04str, 066.0	2
33	65196	(004000–004936)	Hose, Hyd, Low04, Jf04e90/Jf04str, 048.0	1
34	31563	(004000–004936)	Hose, Hyd, Med06, Jf06e90/Jf06str, 060.0	1
35	9008645	(004000–004936)	Hose Kit, Rear Drive, Replmt	1
36	65205	(004000–004936)	Hose, Hyd, Low12, Jf12str/Jf12str, 027.0	1
37	65202	(004000–004936)	Hose, Hyd, Low12, Jf12str/Jf12str, 016.0	1
38	77473	(004000–004936)	Hose, Hyd, Suc20, Jf20e45/Jf20str, 022.5	1
39	380675	(004000–004936)	Hose, Hyd, Low12, Jf12str/Jf12str, 020.0	1
40	02549	(004000–004936)	Hose, Hyd, Low04, Jf04e90/Jf04str, 060.0	1

Fig. 76 - Hydraulic Hose Group (004937-)

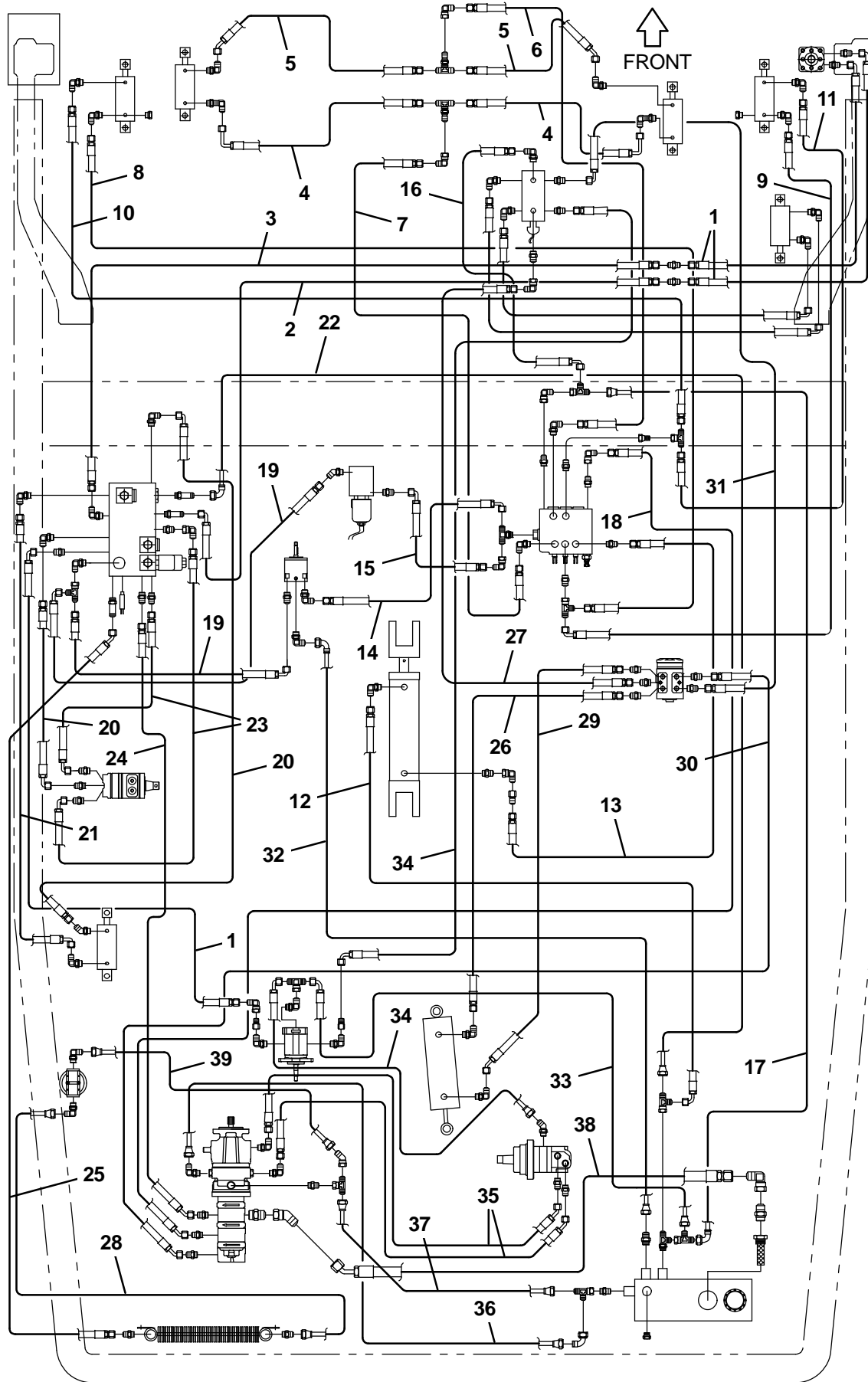


Fig. 76 – Hydraulic Hose Group (004937–)

Ref.	Part No.	Serial Number	Description	Qty.
1	65194	(004937–)	Hose, Hyd, Med06, Jf06e90/Jf06str, 072.0	3
2	65197	(004937–)	Hose, Hyd, Med08, Jf08e90/Jf08str, 062.0	1
3	65224	(004937–)	Hose, Hyd, Med08, Jf08str/Jf08str, 066.0	1
4	65188	(004937–)	Hose, Hyd, Med04, Jf04e90/Jf04str, 038.0	2
5	57173	(004937–)	Hose, Hyd, Med04, Jf04e45/Jf04str, 034.0	2
6	76498	(004937–)	Hose, Hyd, Tc04, Jf04str/Jf04str, 138.0	1
7	79642	(004937–)	Hose, Hyd, Tc04, Jf04str/Jf04str, 142.0	1
8	21117	(004937–)	Hose, Hyd, Tc04, Jf04str/Jf04str, 098.0	1
9	21119	(004937–)	Hose, Hyd, Tc04, Jf04e90/Jf04str, 092.0	1
10	77641	(004937–)	Hose, Hyd, Tc04, Jf04str/Jf04str, 114.0	1
11	77640	(004937–)	Hose, Hyd, Tc04, Jf04str/Jf04str, 106.0	1
12	71552	(004937–)	Hose, Hyd, Med06, Jf06e90/Jf06str, 046.0	1
13	55700	(004937–)	Hose, Hyd, Med04, Jf04str/Jf04str, 026.0	1
14	82843	(004937–)	Hose, Hyd, Med08, Jf08e90/Jf08str, 028.0	1
15	82820	(004937–)	Hose, Hyd, Med08, Jf08e90/Jf08str, 034.0	1
16	65195	(004937–)	Hose, Hyd, Med06, Jf06e90/Jf06str, 023.0	1
17	65212	(004937–)	Hose, Hyd, Low06, Jf06e90/Jf06str, 060.0	1
18	65204	(004937–008014)	Hose, Hyd, Med08, Jf08e45/Jf08str, 106.0	1
18	1073602	(008015–)	Hose, Hyd, Med08, Jf08e45/Jf08str, 112.0	1
19	34355	(004937–)	Hose, Hyd, Med08, Jf08e90/Jf08str, 040.0	2
20	57963	(004937–)	Hose, Hyd, Med04, Jf04e90/Jf04str, 056.0	4
21	34379	(004937–)	Hose, Hyd, Med04, Jf04e90/Jf04str, 072.0	1
22	65213	(004937–)	Hose, Hyd, Low06, Jf06e90/Jf06str, 086.0	1
23	34360	(004937–)	Hose, Hyd, Med08, Jf08e90/Jf08str, 058.0	2
24	33799	(004937–)	Hose, Hyd, Med08, Jf08e45/Jf08str, 060.0	1
25	65199	(004937–)	Hose, Hyd, Med12, Jf12e45/Jf12str, 074.0	1
26	01987	(004937–)	Hose, Hyd, Med06, Jf06str/Jf06str, 027.0	1
27	16431	(004937–)	Hose, Hyd, Med06, Jf06str/Jf06str, 022.0	1
28	82835	(004937–008014)	Hose, Hyd, Low12, Jf12str/Jf12str, 038.0	1
28	1073603	(008015–)	Hose, Hyd, Med12, Jf12str/Jf12str, 031.0	1
29	76497	(004937–)	Hose, Hyd, Med06, Jf06e45/Jf06str, 035.0	1
30	65191	(004937–008014)	Hose, Hyd, Med06, Jf06e45/Jf06str, 112.0	1
30	1073601	(008015–)	Hose, Hyd, Med06, Jf06e45/Jf06str, 118.0	1
31	57944	(004937–)	Hose, Hyd, Med06, Jf06e90/Jf06str, 024.0	1
32	21729	(004937–)	Hose, Hyd, Low04, Jf04e90/Jf04str, 066.0	2
33	31603	(004937–)	Hose, Hyd, Low06, Jf06e90/Jf06str, 052.0	1
34	31563	(004937–)	Hose, Hyd, Med06, Jf06e90/Jf06str, 060.0	2
35	9008645	(004937–007467)	Hose Kit, Rear Drive, Replmt	1
35	1064170	(007468–)	Hose, Hyd, Tc12, Ff12e45/Ff12str, 045.0	2
36	65205	(004937–008014)	Hose, Hyd, Low12, Jf12str/Jf12str, 027.0	1
36	1073858	(008015–)	Hose, Hyd, Low12, Jf12str/Jf12str, 030.0	1
37	65202	(004937–008014)	Hose, Hyd, Low12, Jf12str/Jf12str, 016.0	1
37	1073858	(008015–)	Hose, Hyd, Low12, Jf12str/Jf12str, 030.0	1
38	77473	(004937–)	Hose, Hyd, Suc20, Jf20e45/Jf20str, 022.5	1
39	57568	(004937–)	Hose, Hyd, Low12, Jf12str/Jf12str, 018.0	1

Fig. 77 – Hydraulic Reservoir Group

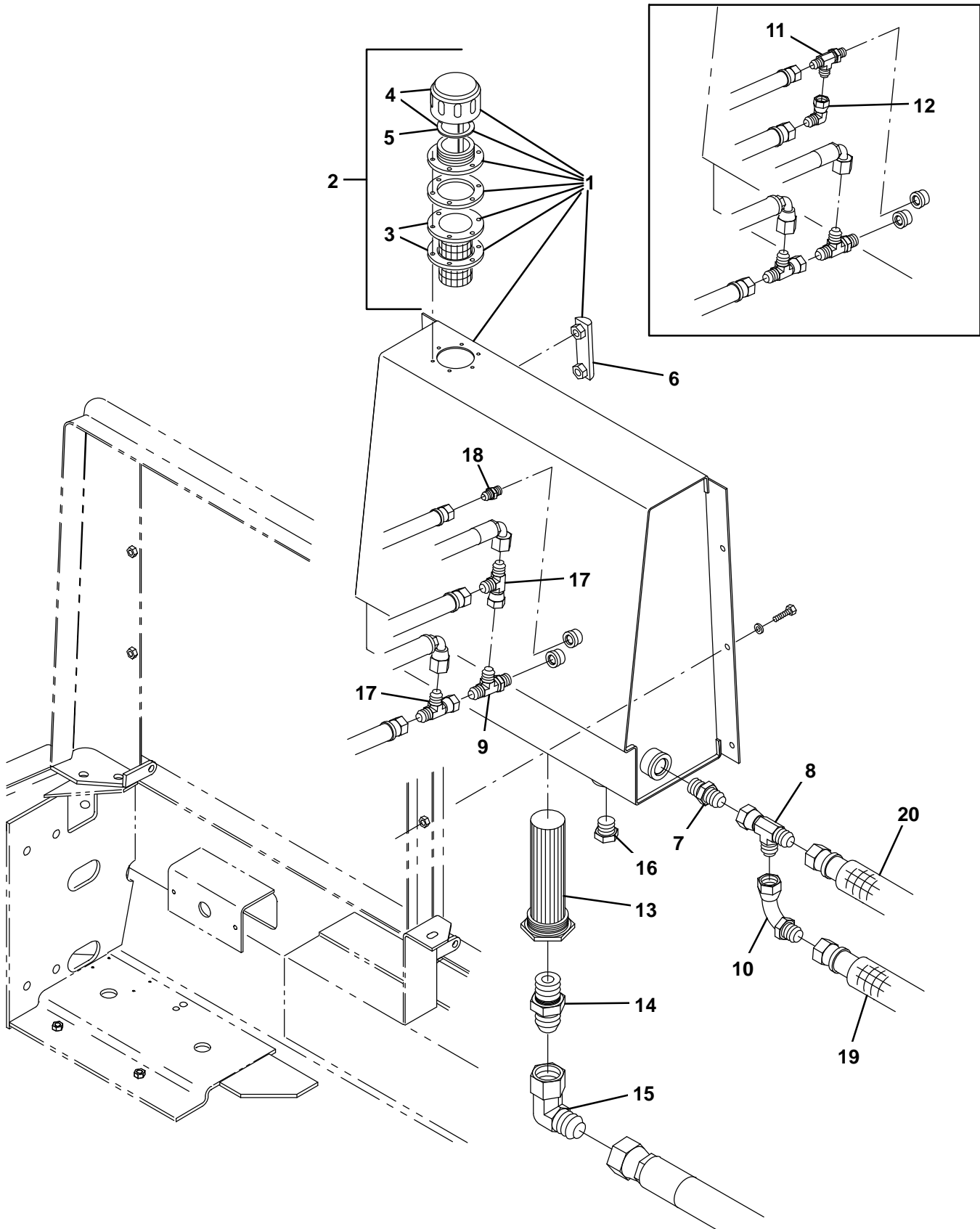


Fig. 77 – Hydraulic Reservoir Group

	Ref.	Part No.	Serial Number	Description	Qty.
▽	1	380736	(004000–)	Tank Wldt, Hydraulic w/label	1
▲▽	2	34306	(004000–)	Breather, Hyd	1
▲▲	3	61288	(004000–)	Gasket, Hyd Tank Breather	2
▲▲	4	70072	(004000–)	Breather Cap and Gasket	1
▲▲	5	70006	(004000–)	Gasket, Hyd Cap	1
▲	6	65215	(004000–)	Gauge, Sight Lh	1
	7	42260	(004000–)	Ftg–Hyd Str Jm12/Om12	1
	8	40514	(004000–)	Ftg–Hyd Tee Jm12Jmjf	1
	9	76316	(004000–)	Ftg–Hyd Tee Jm06Jmom	1
	10	57994	(004000–)	Ftg–Hyd E90 Special Jm12/Jf12	1
	11	34390	(004000–004936)	Ftg–Hyd Tee Jm04Jmom	1
	12	39210	(004000–004936)	Ftg–Hyd E90 Jm04/Jf04	1
	13	31613	(004000–)	Strainer–Hyd Suction 25–100–03	1
	14	58858	(004000–)	Ftg–Hyd Str Jm20/Om20	1
	15	19459	(004000–)	Ftg–Hyd E90	1
	16	33817	(004000–)	Ftg–Hyd Plg Om12	1
	17	42215	(004937–)	Ftg–Hyd Tee Jm06Jmjf	2
	18	55586	(004937–)	Fitting, Hyd, Str, Jm04/Om04	1
	19	50121	(008015–)	Sleeve, Nyl, 1.63id 08.0l	1
	20	82830	(008015–)	Sleeve, Nyl, 1.63id 16.0l	1

Fig. 78 – Hydraulic Filter and Cooler Group

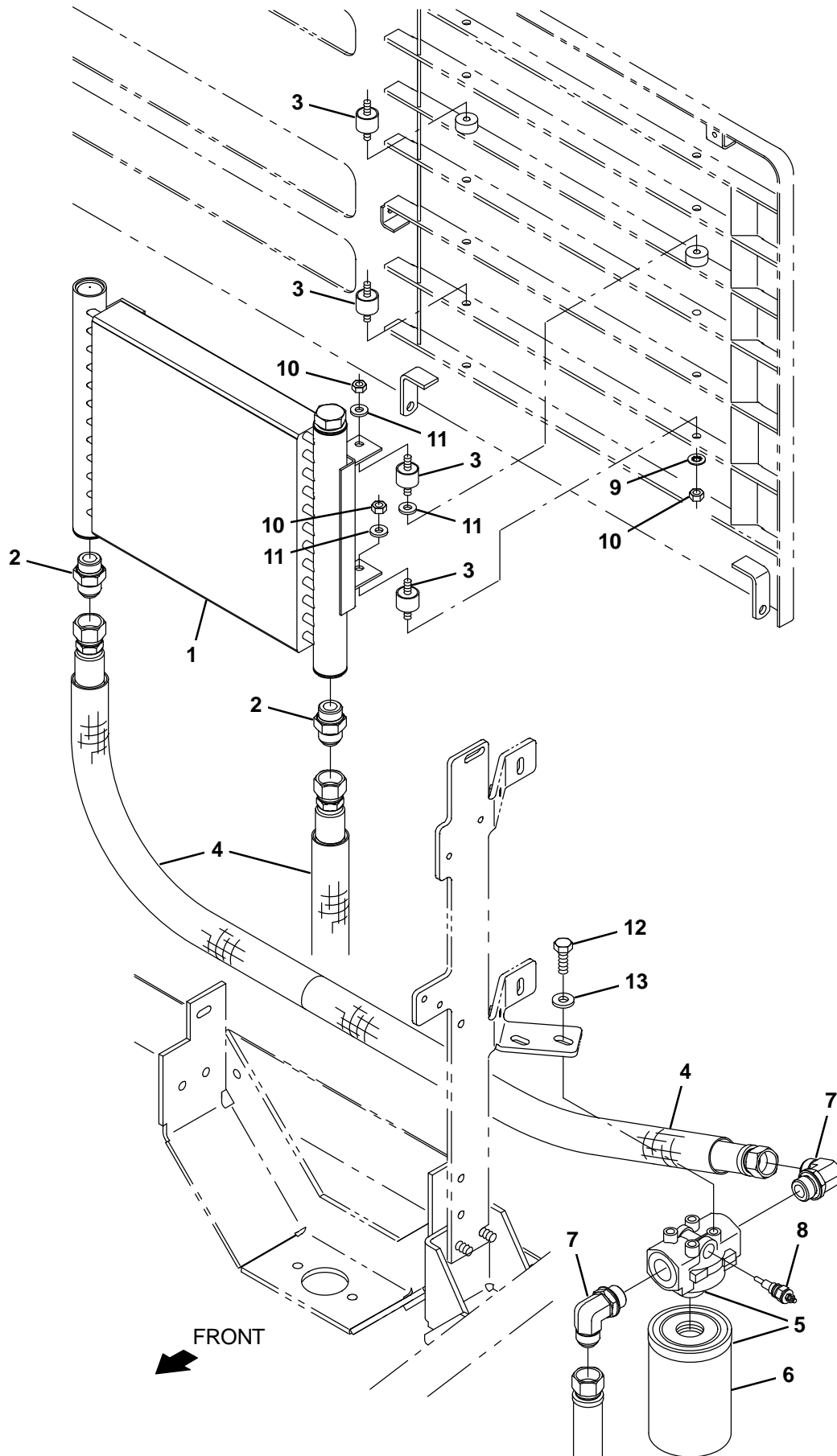


Fig. 78 – Hydraulic Filter and Cooler Group

Ref.	Part No.	Serial Number	Description	Qty.
1	64419	(004000–) Cooler, Hyd, 24gpm 400btu Of08 13x12x2	1
2	42260	(004000–) Fitting, Hyd, Str, Jm12/Om12	2
3	51322	(004000–) Isolator, Vib, Ring, 1.0d .31–18/.31–18	4
4	82830	(004000–) Sleeve, Nyl, 1.63id 16.0l	3
▽	5	10664	(004000–) Filter Assy, Hyd, 10mic 035gpm, Spin–On	1
▲	6	65221	(004000–) Element, Fltr, Oi	1
	7	46481	(004000–) Fitting, Hyd, E90, Jm12/Om12	2
	8	65222	(004000–) Send–Unit, Fltr, Hyd	1
	9	32984	(004000–) Washer, Lock, Int, 0.31	2
	10	19313	(004000–) Nut, Hex, Std, .31–18	6
	11	32491	(004000–) Washer, Flat, 0.31, Std	6
	12	21195	(004000–) Screw, Hex, .38–16 X 0.75, G5	2
	13	41187	(004000–) Washer, Flat, Belleville, .38	2

Fig. 79 – Hydraulic Solenoid Valve Group

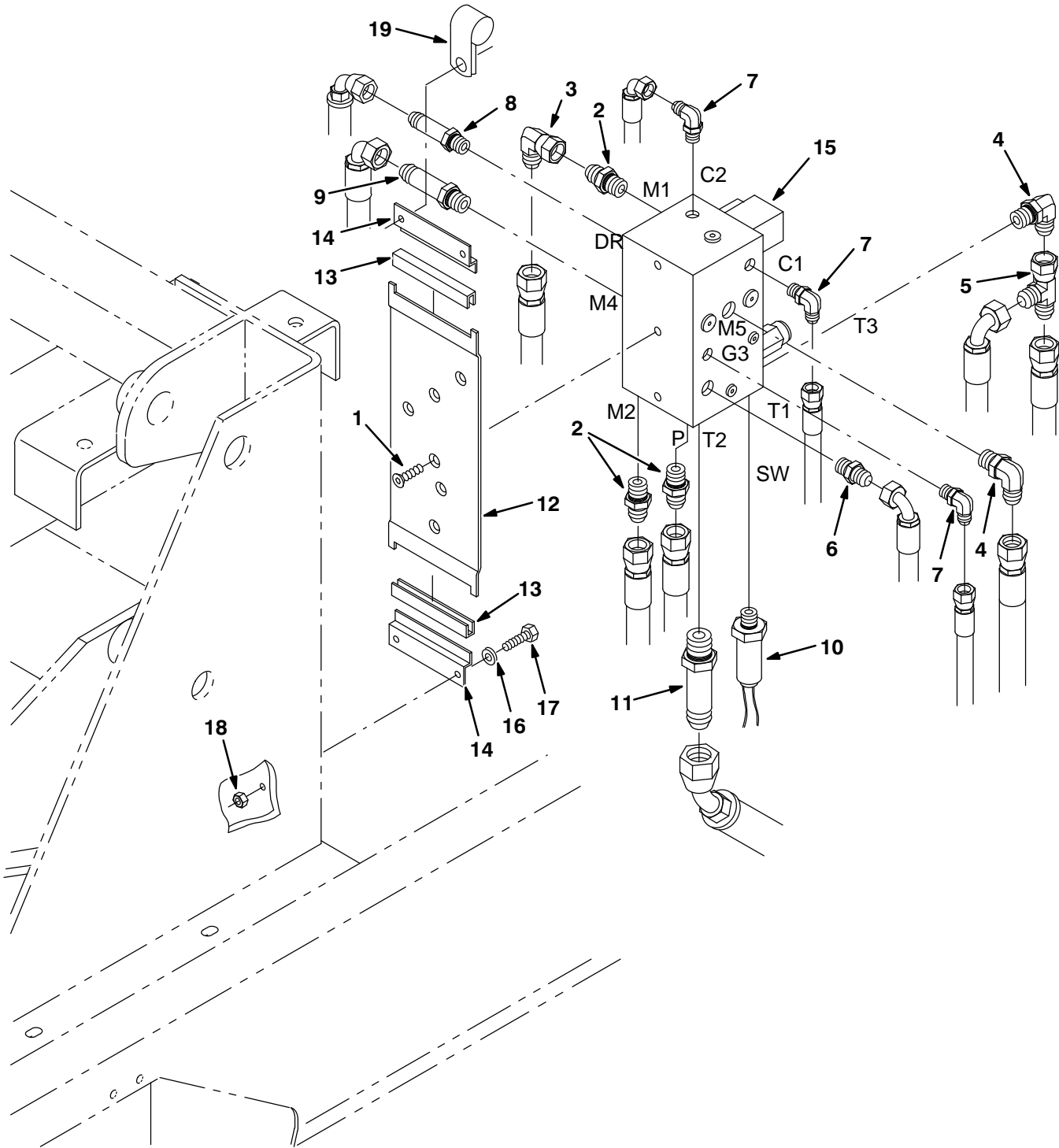


Fig. 79 – Hydraulic Solenoid Valve Group

Ref.	Part No.	Serial Number	Description	Qty.
1	32129	(004000–) Scr Flt M8x1.25 20	3
2	44869	(004000–) Ftg–Hyd Str Jm08/Om08	3
3	17980	(004000–) Ftg–Hyd E90 Jm08/Jf08	1
4	44868	(004000–) Ftg–Hyd E90 Jm08/Om08	2
5	45482	(004000–) Ftg–Hyd Tee Jm08Jmjf	1
6	56690	(004000–) Ftg–Hyd Str Jm06/Om06	1
7	77097	(004000–) Ftg–Hyd E90 Jm04/Om04	3
8	59577	(004000–) Ftg–Hyd Str Jm06Om06L	1
9	31605	(004000–) Ftg–Hyd Str Jm08Om08L	1
10	77575	(004000–) Switch Assy, Pressure, Hyd	1
11	57993	(004000–) Ftg–Hyd Str Jm12Om12L	1
12	64228	(004000–) Plate, Mtg, Valve, Solenoid	1
13	10911	(004000–) Isolator, Vac Fan	2
14	06146	(004000–) Bracket, Mounting	2
15	84014	(004000–007338) Valve–Hyd, Solenoid (See Breakdowns)	1
15	1049209	(007339–) Valve, Cntrl, Hyd, Solenoid, 12vdc 08gpm (See Breakdowns)	1
16	19066	(004000–) Washer, Flat, #10	4
17	06943	(004000–) Screw, Hex, M6 X 1.0 X 20, 8.8	4
18	07790	(004000–) Nut, Hex, Flng, M6 X 1.0	4
19	69234	(004000–) Clamp, Cable, Stl, 1.00d X 0.75w, 1h	1

Fig. 80 – Hydraulic Lift Valve Group

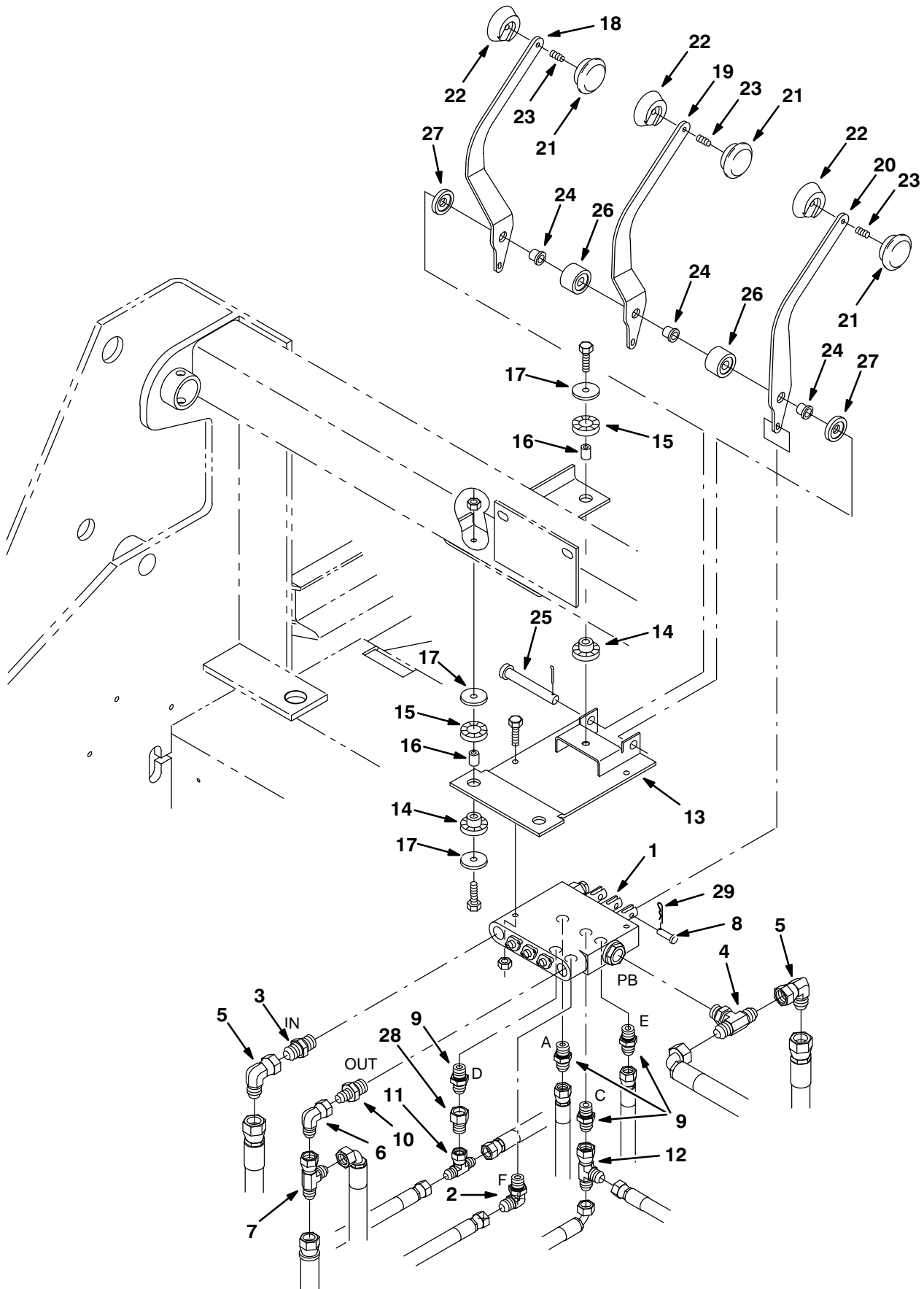


Fig. 80 – Hydraulic Lift Valve Group

Ref.	Part No.	Serial Number	Description	Qty.
1	375563	(004000–)	Valve, Hyd Control Man (See Breakdowns)	1
2	47638	(004000–)	Fitting, Hyd, E90, Jm04/Om06	1
3	44869	(004000–)	Fitting, Hyd, Str, Jm08/Om08	1
4	49933	(004000–)	Fitting, Hyd, Tee, Jm08/Jm08/Om08, Br	1
5	17980	(004000–)	Fitting, Hyd, E90, Jf08/Jm08	2
6	47504	(004000–)	Fitting, Hyd, E90, Jf06/Jm06	1
7	42215	(004000–)	Fitting, Hyd, Tee, Jf06/Jm06/Jm06, Run	2
8	77488	(004000–)	Pin, Clevis, 0.19d X 0.63l	3
9	55685	(004000–)	Fitting, Hyd, Str, Jm04/Om06	3
10	52402	(004000–)	Fitting, Hyd, Str, Jm06/Om08	1
11	57411	(004000–)	Fitting, Hyd, Tee, Jf04/Jm04/Jm04, Br	1
12	57988	(004000–)	Fitting, Hyd, Tee, Jf04/Jm04/Jm04, Run	1
13	77485	(004000–)	Bracket Wldt, Mtg, Valve	1
14	62173	(004000–)	Isolator, Vib, Bshg, 1.4d 0.3l .4b 0.65h	3
15	62172	(004000–)	Isolator, Vib, Ring, 1.4d 0.3l 0.8b	3
16	64905	(004000–)	Tube, 0.26id 0.38od 00.6l, Stl, Pl	3
17	1014491	(004000–)	Washer, Flat, 0.28b 1.38d .12, Hrs Pl	5
18	77491	(004000–008088)	Handle, Valve, Hyd, Rh	1
18	1073833	(008089–)	Handle, Valve, Hyd, Rh [800 Gray]	1
19	77492	(004000–008088)	Handle, Valve, Hyd, Ctr	1
19	1073834	(008089–)	Handle, Valve, Hyd, Ctr [800 Gray]	1
20	77493	(004000–008088)	Handle, Valve, Hyd, Lh	1
20	1073835	(008089–)	Handle, Valve, Hyd, Lh [800 Gray]	1
21	64434	(004000–)	Knob, Rnd, 2.00d 0.65l M6, Plstc	3
22	70827	(004000–)	Knob, Rnd, 2.00d 0.84l M6, Plstc	3
23	70847	(004000–)	Screw, Set, Soc, M6 X 1.00 X 20, Pl[45h]	3
24	36556	(004000–)	Bushing, Flng, 0.50b 0.56d 0.22l, Nyl	3
25	06474A	(004000–)	Pin, Clevis, 0.50d X 3.50l	1
26	77498	(004000–)	Spacer	2
27	77499	(004000–)	Spacer	2
28	16455	(004000–)	Fitting, Hyd, Rst, Jf04/Jm04, .047	1
29	08085	(004000–)	Pin, Cotter, Hair, 0.31d .058 Wir	3

Fig. 81 – Side Brush Motor Group

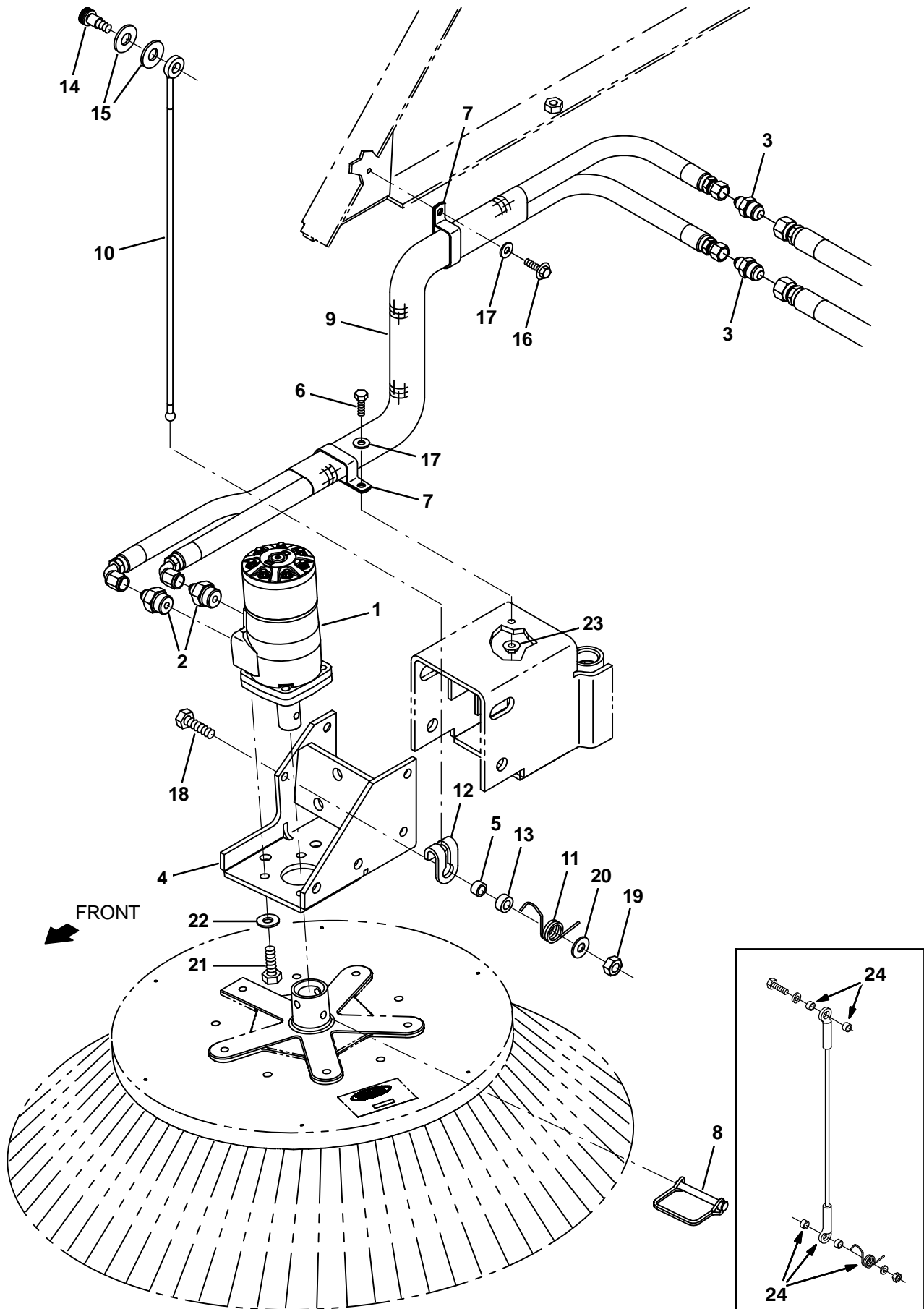


Fig. 81 – Side Brush Motor Group

Ref.	Part No.	Serial Number	Description	Qty.
1	79781	(004000-007797)	Motor, Hyd, (See Breakdowns) (Replaced by 9009502)	1
1	1057338	(007798-)	Motor, Hyd, Gear, Int 17.9 Bi-Dir 2500	1
2	47508	(004000-)	Fitting, Hyd, Str, Jm06/Om10	2
3	42207	(004000-)	Fitting, Hyd, Str, Jm06/Jm08	2
4	65168	(004000-008088)	Bracket Wldt, Mtg, Motor	1
4	1074288	(008089-)	Bracket Wldt, Mtg, Motor[800 Gray]	1
5	65174	(004000-)	Tube, 0.44id 0.62od 00.4l, Stl	5
6	06944	(004000-)	Screw, Hex, M6 X 1.00 X 25, 8.8	1
7	67366	(004000-)	Clamp, Cable, Stl, 1.0x2.0x0.62w, 1hole	1
8	84581	(004000-)	Pin Assy, Side Brush W/ Clip	1
9	75028	(004000-)	Sleeve, Nyl, 1.63id 65.0l	1
10	375401	(xxxxxx-)	Cable, Glv .19d 020.3l .44ball /.50eye	1
11	375402	(xxxxxx-)	Spring, Tors, 0.81id .09wir 0.3coil, Rh	1
12	1017898	(xxxxxx-)	Hook, Cable, .44d Ball	1
13	375404	(xxxxxx-)	Tube, 0.44id 0.75od 00.3l, Stl, Pl	1
14	36758	(xxxxxx-)	Bolt, Shld, .50d X 0.50, .38-16	1
15	32486	(xxxxxx-)	Washer Flat,0.50,Sae	2
16	12459	(004000-)	Screw, Hex, M6 X 1.00 X 20, Fmg	1
17	41185	(004000-)	Washer, Flat, Belleville, .25	2
18	39284	(004000-)	Screw, Hex, M10 X 1.50 X 35, 8.8	1
19	41430	(004000-)	Nut, Hex, Lock, M10 X 1.5, NI	4
20	32492	(004000-)	Washer, Flat, 0.38, Std	1
21	34195	(004000-)	Screw, Hex, .38-16 X	4
22	32485	(004000-)	Washer, Flat, 0.38, Sae	4
23	07790	(004000-)	Nut, Hex, Flng, M6 X 1.00	1
24	375400	(004000- xxxxxx)	Cable Kit, Brush, Side, Rh, Ci [800l]	1

Fig. 82 – Side Brush Pivot Group

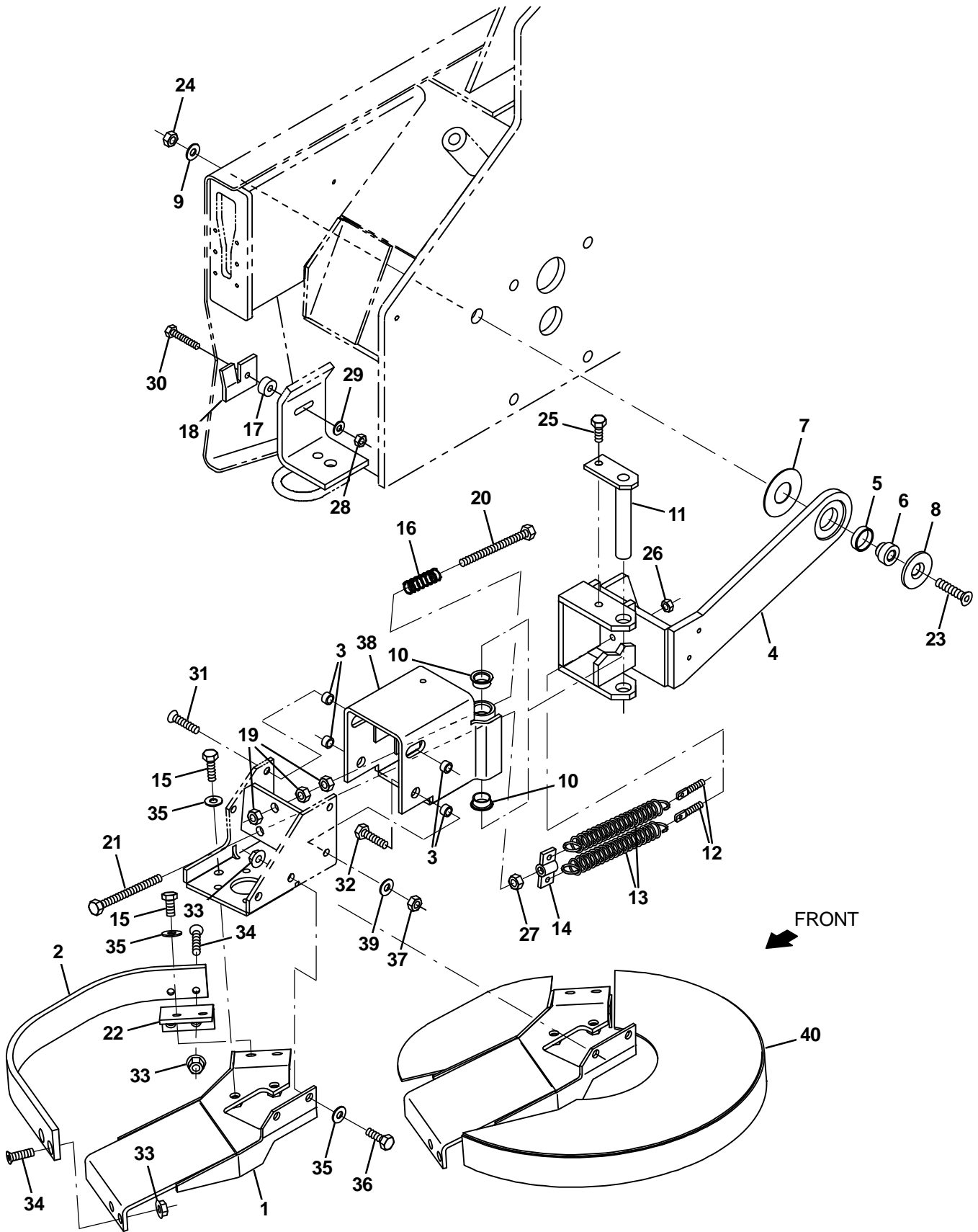


Fig. 82 – Side Brush Pivot Group

Ref.	Part No.	Serial Number	Description	Qty.
1	391841	(004000–008088)	Bracket Wldt, Mtg, Guard, Side Brush	1
1	1074293	(008089–)	Bracket Wldt, Mtg, Guard, Side Brush	1
2	21238	(004000–008088)	Guard, Brush, Side .38th 2.0w [800]	1
2	1074286	(008089–)	Guard, Brush, Side .38th 2.0w [800]	1
3	65174	(004000–)	Tube, 0.44id 0.62od 00.4l, Stl	4
4	70521	(004000–008088)	Arm Wldt, Pivot, Side Brush	1
4	1074291	(008089–)	Arm Wldt, Pivot, Side Brush [800 Gray]	1
5	70627	(004000–)	Bushing, Sleeve, 1.25b 1.40d 0.38l, Bnz	1
6	70526	(004000–)	Shaft, Pivot	1
7	70524	(004000–)	Washer, Flat, 1.30b 3.00d .06, Stl	1
8	70525	(004000–)	Washer, Flat, 0.71b 2.25d .19, Stl, Csk	1
9	36328	(004000–)	Washer, Flat, Belleville, .50	1
10	04761	(004000–)	Bushing, Flng, 0.50b 0.59d 0.38l	2
11	70431	(004000–)	Pin Wldt, Pivot, Brush, Side	1
12	70626	(004000–)	Bolt, Eye, M8 X 1.25 X 051mm, 05.50 Eye	2
13	65160	(004000–)	Spring, Extn, 1.00od 0.15wir 05.8l	2
14	65173	(004000–008088)	Bracket Wldt, Spring	1
14	1074290	(008089–)	Bracket Wldt, Spring [800 Gray]	1
15	09770	(004000–)	Screw, Hex, M10 X 1.50 X 25, NI, Ss	4
16	65180	(004000–)	Spring, Dsl, 1.00od 0.50id 1.70l	1
17	74059	(004000–)	Tube, 0.34id 1.00od 00.5l, Stl, Pl	1
18	74060	(004000–008088)	Bracket, Guide, Arm, Side Brush, Rh	1
18	1074292	(008089–)	Bracket, Guide, Arm, Side Brush, Rh	1
19	07787	(004000–)	Nut, Hex, Std, M10 X 1.50, Ss	3
20	06537	(004000–)	Screw, Hex, M10 X 1.50 X 120, 8.8, Fl	1
21	76438	(004000–)	Screw, Hex, M10 X 1.50 X 90, 8.8, Fl	1
22	21215	(004000–008088)	Bracket, Angle, Mtg, Side Brush	1
22	1074287	(008089–)	Bracket, Angle, Mtg, Side Brush	1
23	20192	(004000–)	Screw, Flt, Soc, .50–13 X 2.00, Al	1
24	32985	(004000–)	Nut, Hex, Lock, .50–13, NI	1
25	09291	(004000–)	Screw, Hex, M10 X 1.50 X 20, Ss	1
26	39311	(004000–)	Nut, Hex, Std, M8 X 1.25	2
27	39312	(004000–)	Nut, Hex, Std, M10 X 1.50	1
28	08709	(004000–)	Nut, Hex, Lock, M8 X 1.25, NI	1
29	32491	(004000–)	Washer, Flat, 0.31, Std	1
30	41342	(004000–)	Screw, Hex, M8 X 1.25 X 40, 8.8	1
31	06535	(004000–)	Screw, Flt, Soc, M10 X 1.50 X 35, 10.9	1
32	39284	(004000–)	Screw, Hex, M10 X 1.50 X 35, 8.8	2
33	07792	(004000–)	Nut, Hex, Flng, M10 X 1.50	8
34	09081	(004000–)	Screw, Flt, Soc, M10 X 1.50 X 25, 10.9	4
35	32485	(004000–)	Washer, Flat, 0.38, Sae	5
36	39283	(004000–)	Screw, Hex, M10 X 1.50 X 25, 8.8	2
37	41430	(004000–)	Nut, Hex, Lock, M10 X 1.5, NI	4
38	65170	(004000–008088)	Bracket Wldt, Pivot, Side Brush	1
38	1074289	(008089–)	Bracket Wldt, Pivot, Side Brush [Gray]	1
39	32492	(004000–)	Washer, Flat, 0.38, Std	6

Fig. 83 – Side Brush Lift Group

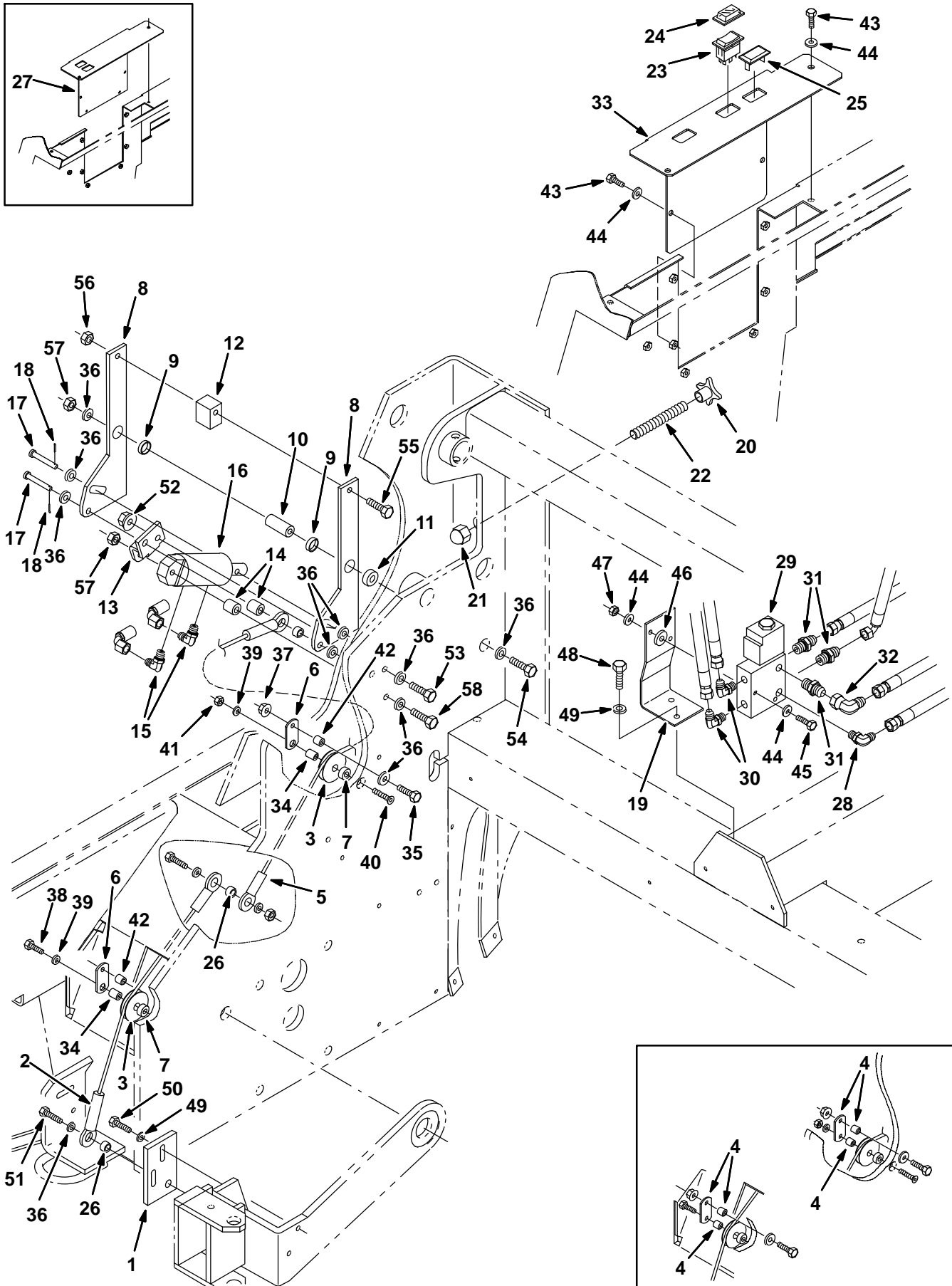


Fig. 83 – Side Brush Lift Group

Ref.	Part No.	Serial Number	Description	Qty.
1	77669	(004000–)	Plate Wldt	1
2	70532	(004000–)	Cable, Glv .25d 021.2l .63eye /.63eye	1
3	74391	(004000–)	Pulley Assy, Cable, 1.5 Dia	2
4	375416	(004000– xxxxxx)	Replacement Kit, Roller, Side Brush Lift	1
5	23936	(004000–)	Cable, Glv .25d 016.8l .64eye /.64eye	1
6	375415	(xxxxxx–)	Plate, Side Brush Roller	2
7	73737	(004000–)	Sleeve, .375B .75D .32 Stl	2
8	77584	(004000–)	Plate	2
9	74090	(004000–)	Bearing	2
10	77597	(004000–)	Sleeve, 0.406B 0.75D1.80 Stl	1
11	77727	(004000–)	Sleeve, .438B 1.00D .35 Stl	1
12	77459	(004000–)	Spacer	1
13	77601	(004000–)	Plate, Angle	1
14	77600	(004000–)	Sleeve,0.406B .750D .800 Stl	1
15	77097	(004000–)	Ftg–Hyd E90 Jm04/Om04	2
16	1041034	(004000–)	Cylinder, Hyd, 1.5b 06.3l 01.50strk 2500	1
17	51813	(004000–)	Pin,Clevis,0.37 Dia.X 2.12 Lg	2
18	08179	(004000–)	Pin, Cotter .094X1.00	2
19	21231	(004000–)	Plate	1
20	77605	(004000–)	Knob, Plastic	1
21	41131	(004000–)	Nut Low Crown .62–18	1
22	77682	(004000–)	Rod, Thread	1
23	65561	(004000–)	Switch Rocker Spst	1
24	57807	(004000–)	Cover, Rocker Switch Seal	1
25	57772	(004000–)	Plate–Cover	1
26	65174	(004000–)	Spacer	3
27	21109	(004000–004274)	Plate, Cover	1
28	56820	(004000–)	Ftg–Hyd E90	1
29	84016	(004000–007338)	Valve, Hyd Solenoid (See Breakdowns)	1
29	1049211	(007339–)	Valve, Cntrl, Hyd, Solenoid, 12vdc 06gpm (See Breakdowns)	1
30	77097	(004000–)	Ftg–Hyd E90 Jm04/Om04	2
31	56690	(004000–)	Ftg–Hyd str	3
32	47504	(004000–)	Ftg–Hyd E90	1
33	375666	(004275–008088)	Plate, Cover	1
33	1073903	(008089–)	Panel, Cover, Brush Cntrl, Gas/Lpg[Gray]	1
34	80395	(xxxxxx–)	Sleeve, P/M, 0.496d 0.318b 0.65l 430ss	2
35	76570	(xxxxxx–)	Screw, Hex, M8 X 1.25 X 30, 8.8	2
36	32492	(xxxxxx–)	Washer, Flat, 0.38, Std	12
37	07791	(xxxxxx–)	Nut, Hex, Flange, M8 X 1.25	2
38	41342	(xxxxxx–)	Screw, Hex, M8 X 1.25 X 40, 8.8	2
39	33924	(xxxxxx–)	Washer, Flat, M10, Ss	2
40	12317	(xxxxxx–)	Screw, Hex, M10 X 1.50 X 30, Ss	1
41	08714	(xxxxxx–)	Nut, Hex, Lock, M10 X 1.5, NI, Ss	1
42	222460	(xxxxxx–)	Sleeve, P/M, 0.496d 0.318b 0.50l 430ss	2
43	06943	(004000–)	Screw, Hex, M6 X 1.0 X 20, 8.8	4
44	19066	(004000–)	Washer, Flat, #10	8
45	06548	(004000–)	Screw, Hex, M6 X 1.0 X 60, 8.8	2
46	63416	(004000–)	Washer, Rbr, .12 0.31b 0.88d	2
47	08708	(004000–)	Nut, Hex, Lock, M6 X 1.0, NI	2
48	16931	(004000–)	Screw, Hex, M8 X 1.25 X 20, 8.8	2

Fig. 83 – Side Brush Lift Group

Ref.	Part No.	Serial Number	Description	Qty.
49	32491	(004000–) Washer, Flat, 0.31 Std	3
50	09010	(004000–) Screw, Hex, M8 X 1.25 X 25, Ss	2
51	39283	(004000–) Screw, Hex, M10 X 1.5 X 25, 8.8	2
52	07792	(004000–) Nut, Hex, Flng, M10 X 1.5	2
53	39284	(004000–) Screw, Hex, M10 X 1.5 X 35, 8.8	1
54	03193	(004000–) Screw, Hex, M10 X 1.5 X 90, 8.8	1
55	06957	(004000–) Screw, Hex, M8 X 1.25 X 60, 8.8	1
56	08709	(004000–) Nut, Hex, Lock, M8 X 1.25, NI	1
57	41430	(004000–) Nut, Hex, Lock, M10 X 1.5, NI	1
58	06965	(004000–) Screw, Hex, M10 X 1.5 X 80, 8.8	1

Fig. 84 – Main Brush Drive Group

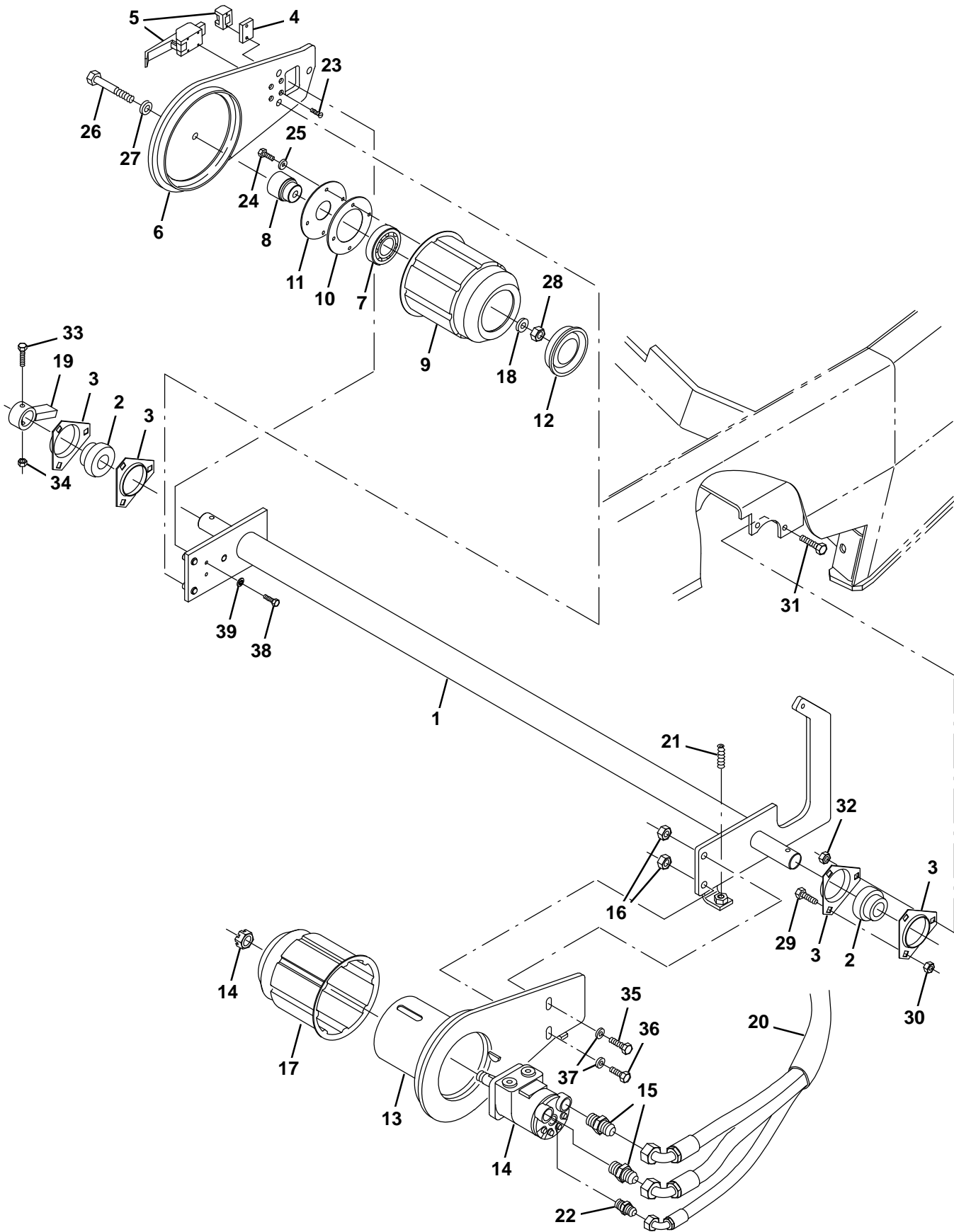


Fig. 84 – Main Brush Drive Group

Ref.	Part No.	Serial Number	Description	Qty.
1	63436	(004000–)	Shaft Wldt, Main Brush	1
2	51448	(004000–)	Bearing&Clr , 1.25B 2.44D 1.41W	2
3	51449	(004000–)	Flange,Brg,3 Hole	4
4	63541	(004000–)	Plate, Mtg, Latch	1
5	54878	(004000–)	Latch	1
6	63449	(004000–)	Arm Wldt, M Br, Idler	1
7	24899	(004000–)	Bearing–Ball,1.38B 2.83D 0.67W	1
8	30251	(004000–)	Shaft, Idler	1
9	55779	(004000–)	Plug Wldt, Idler	1
10	30252	(004000–)	Strip, Retainer, Bearing	1
11	30253	(004000–)	Plate, Seal	1
12	30255	(004000–)	Plug, Tube	1
13	63450	(004000–)	Arm Wldt, M Br, Motor	1
14	53434	(004000–007797)	Motor–Hyd Gear In (See Breakdowns) (Replaced by 9009503)	1
14	1057337	(007798–)	Motor, Hyd, Gear, Int 02.8 Bi–Dir 2500	1
15	44869	(004000–)	Ftg–Hyd Str Jm08/Om08	2
16	07793	(004000–)	Nut, Hex, Flng, M12 X 1.75	2
17	87631	(004000–007797)	Plug Weld, Brush Drive, Sweep	1
17	1057643	(007798–)	Plug Wldt, Drive, Brush	1
18	51564	(004000–)	Washer, .531B 1.75D .12Cr.Znc	1
19	64811	(004000–)	Bar Wldt, Brush Pressure	1
20	34330	(004000–)	Sleeve, Hyd 30”	1
21	75612	(004000–)	Screw, Set	1
22	55586	(004000–)	Ftg–Hyd Str Jm04/Om04	1
23	09120	(004000–)	Screw, Flt, M5 X 0.8 X 16, 10.9	4
24	12274	(004000–)	Screw, Hex, M6 X 1.0 X 20, 8.8, NI	4
25	32483	(004000–)	Washer, Flat, 0.25 Sae	4
26	32895	(004000–)	Screw, Hex, .50–13 X 3.50, 5	1
27	36328	(004000–)	Washer, Belleville, .50	1
28	02931	(004000–)	Nut, Hex, Lock, .50–13, NI, Ss	1
29	10819	(004000–)	Bolt, Carriage, .38–16 X 1.00	2
30	50902	(004000–)	Nut, Hex, Lock, .38–16, NI	2
31	39283	(004000–)	Screw, Hex, M10 X 1.5 X 25, 8.8	4
32	07792	(004000–)	Nut, Hex, Flng, M10 X 1.5	4
33	06957	(004000–)	Screw, Hex, M8 X 1.25 X 60, 8.8	1
34	08709	(004000–)	Nut, Hex, Lock, M8 X 1.25, NI	1
35	06968	(004000–)	Screw, Hex, M12 X 1.75 X 35, 8.8	1
36	41346	(004000–)	Screw, Hex, M12 X 1.75 X 30, 8.8	1
37	32486	(004000–)	Washer, Flat, 0.50 Sae	2
38	12316	(004000–)	Screw, Hex, M5 X 0.80 X 25, Ss	2
39	07514	(004000–)	Washer, Lock, Int, 10, Ss	2

Fig. 85 – Main Brush Lift Group

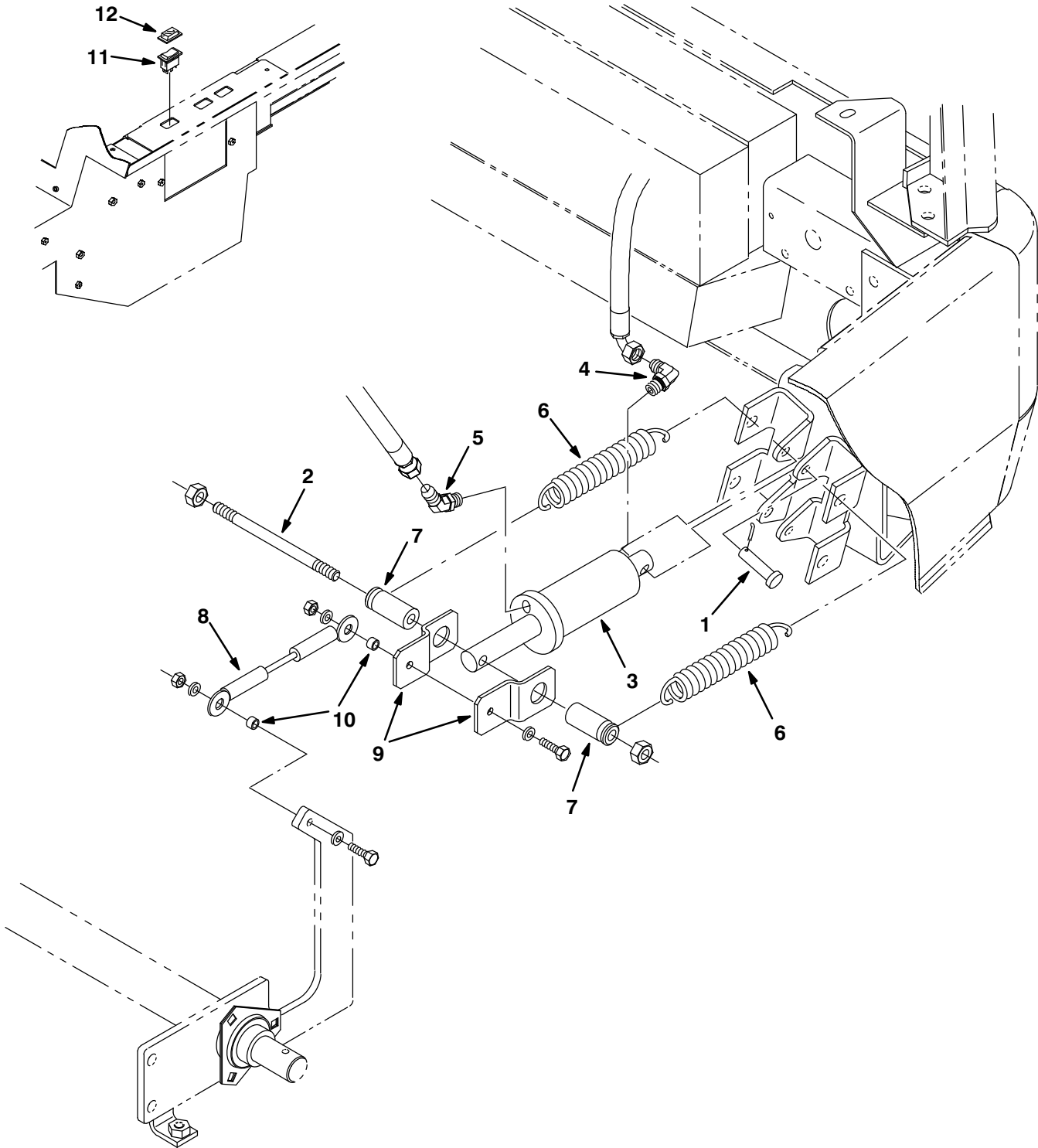


Fig. 85 – Main Brush Lift Group

Ref.	Part No.	Serial Number	Description	Qty.
1	51534	(004000–) Pin,Clevis,0.50 Dia.X 2.00 Lg	1
2	1012657	(004000–) Rod, Thrd, 2 End .50–13 05.75	1
3	1038176	(004000–) Cylinder, Hyd, 2.0b 08.0l 04.00strk 2500	1
4	77097	(004000–) Ftg–Hyd E90 Jm04/Om04	1
5	34359	(004000–) Ftg–Hyd E45 Jm04/Om04	1
6	33404	(004000–) Spring, Tension	2
7	1012656	(004000–) Tube, Mach, Retainer, Spring , 1.0d 1.7l	2
8	64233	(004000–) Cable, Lift, Main Brush	1
9	65248	(004000–) Bracket, Brush Lift, Main	2
10	65249	(004000–) Tube, Spacer, Brush Lift	2
11	61969	(004275–) Switch, Rocker, Dpdt	1
12	57807	(004275–) Cover, Rocker Switch Seal	1

Fig. 86 – Main Brush Adjustment Group

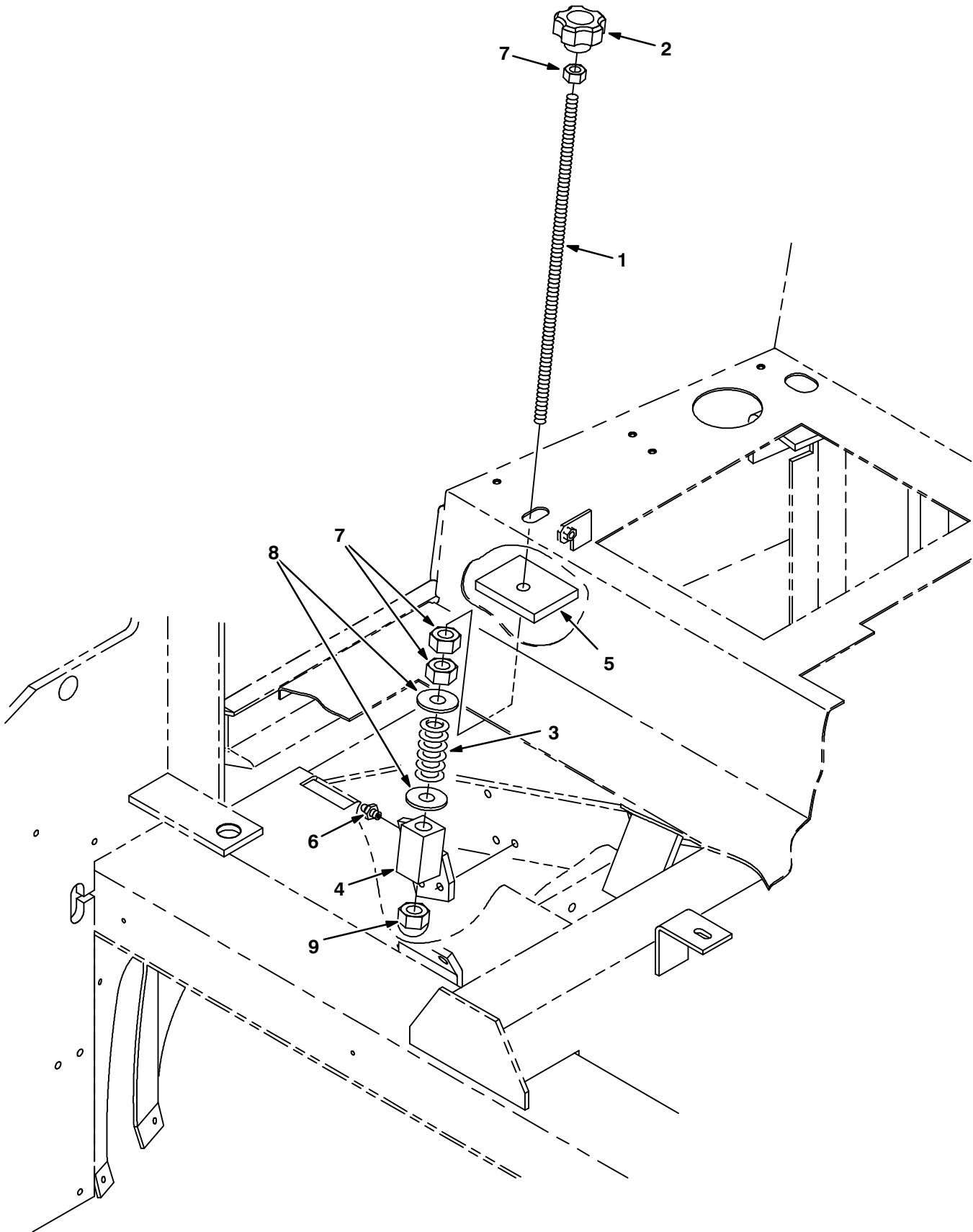


Fig. 86 – Main Brush Adjustment Group

Ref.	Part No.	Serial Number	Description	Qty.
1	77578	(004000–) Rod, Thread	1
2	77605	(004000–) Knob, Plastic	1
3	51693	(004000–) Sprng,Comp,0.87Idx.10Wire 2.5L	1
4	77580	(004000–) Plate, Adj, Brush	1
5	79028	(004000–) Seal, Rod, Adjuster	1
6	11716	(004000–) Ftg, Grease.12 Npt 45 .88L	1
7	77583	(004000–) Nut, Hex, Std, .62–18	3
8	15331	(004000–) Washer, Flat, 0.62, Sae	2
9	41131	(004000–) Nut, Low Crown, .62–18	1

Fig. 87 – Vacuum Fan Impeller Group

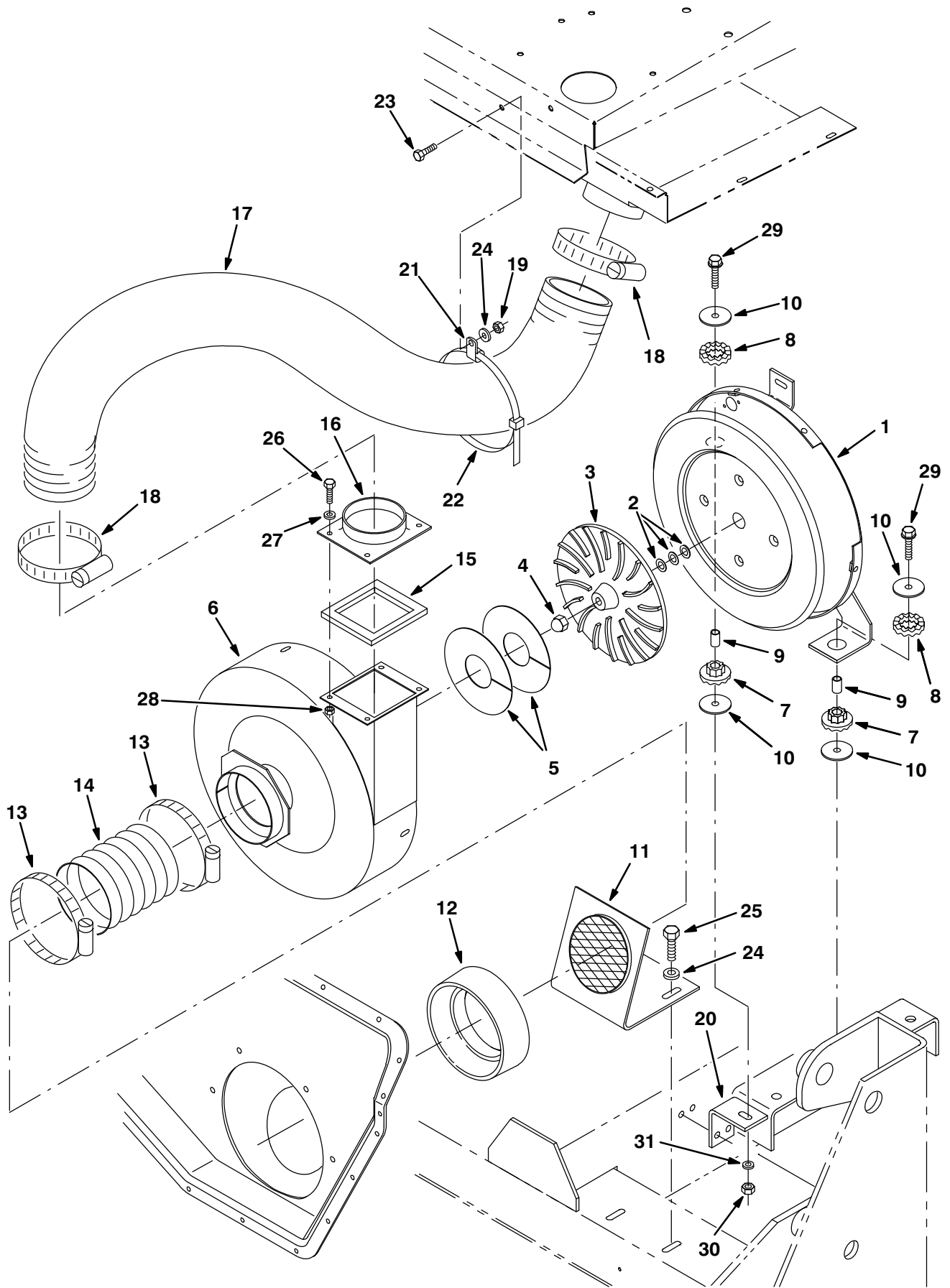
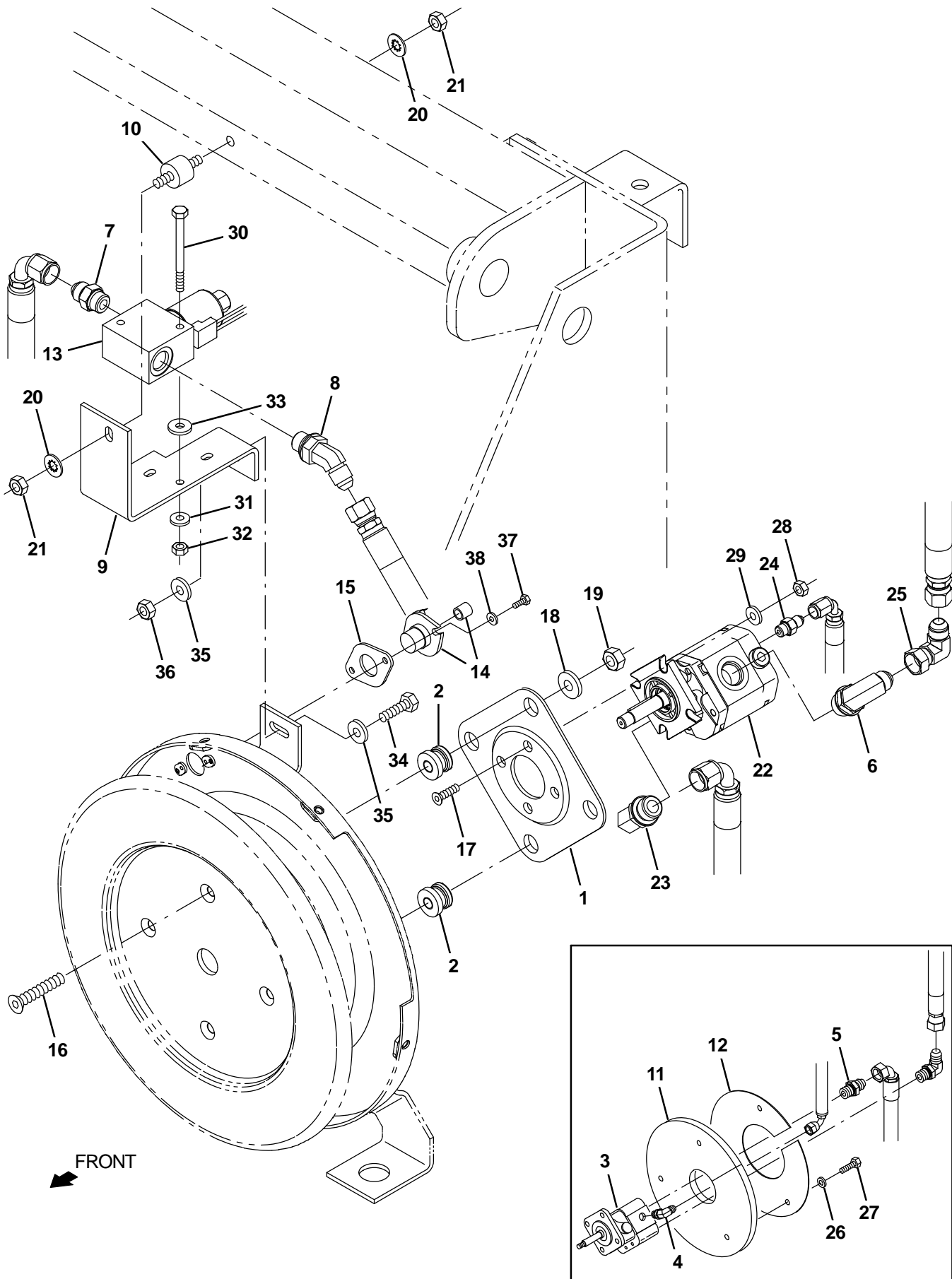


Fig. 87 – Vacuum Fan Impeller Group

Ref.	Part No.	Serial Number	Description	Qty.
1	77531	(004000–008108)	Housing Wldt, Vac Fan, Rear	1
1	1074357	(008109–)	Housing Wldt, Vac Fan, Rear	1
2	75456	(004000–)	Shim .003Th 0.88Odx0.506ld	1
2	75456–1	(004000–)	Shim .005Th 0.88Odx0.506ld	1
2	75456–2	(004000–)	Shim .010Th 0.88Odx0.506ld	1
2	75456–3	(004000–)	Shim .020Th 0.88Odx0.506ld	3
2	75456–4	(004000–)	Shim .060Th 0.880Dxo.506ld	3
3	03922	(004000–)	Impeller 9.5 Dia. 18 Blade Mac	1
4	41130	(004000–)	Nut–Low Crown .50–20 Pltd	1
5	58114	(004000–)	Fan, Repair Kit, Reassembly	1
6	77532	(004000–)	Housing Wldt, Vac Fan, Front	1
7	64621	(004000–)	Bushing, Isolator	2
8	64618	(004000–)	Ring, Isolator, Outer Rbr	2
9	64299	(004000–)	Spacer	2
10	58228	(004000–)	Plate, Spring – Side Brush	4
11	70825	(004000–)	Bracket Wldt, Fan Inlet	1
12	21241	(004000–)	Gasket Kit, Vacfan, Replmt [800!]	1
13	73685	(004000–)	Clamp–Wormdrive, 3.62– 5.50D	2
14	73646	(004000–)	Hose, Fan Inlet	1
15	73650	(004000–)	Insulation, Acoustic, Fan	1
16	77553	(004000–)	Plate, Vac Fan	1
17	40870–8	(004000–)	Hose&cuff Assy, Vinyl4.0ldx50	1
18	23498	(004000–)	Clamp–Wormdrive, 2.63– 4.50D	2
19	08709	(004000–)	Nut, Hex, Lock, M8 X 1.25, NI	1
20	375721	(004380–)	Bracket, Angle	1
21	69234	(004000–)	Clamp, Cable, Stl, 1.00d X 0.75w, 1h	1
22	763113	(004000–)	Tie, Cable, 20.0l, 6.00d Max	1
23	16931	(004000–)	Screw, Hex, M8 X 1.25 X 20, 8.8	1
24	32491	(004000–)	Washer, Flat, 0.31 Std	3
25	76570	(004000–)	Screw, Hex, M8 X 1.25 X 30, 8.8	2
26	06943	(004000–)	Screw, Hex, M6 X 1.0 X 20, 8.8	4
27	32483	(004000–)	Washer, Flat, 0.25, Sae	4
28	08708	(004000–)	Nut, Hex, Lock, M6 X 1.00, NI	4
29	16930	(004000–)	Screw, Hex, M10 X 1.5 X 50, 8.8	2
30	41430	(004000–)	Nut, Hex, Lock, M10 X 1.5, NI	2
31	32492	(004000–)	Washer, Flat, 0.38, Std	2

Fig. 88 – Vacuum Fan Motor Group



FRONT

Fig. 88 – Vacuum Fan Motor Group

Ref.	Part No.	Serial Number	Description	Qty.
1	54275A	(004000–)	Bracket, Mounting Motor	1
2	54274	(004000–)	Isolator–Vibration,60 Lb.Ratng	4
3	19117	(004000–008108)	Motor–Hyd Gear Ex (See Breakdowns)	1
4	77097	(004000–008108)	Fitting, Hyd, E90, Jm04/Om04	1
5	56692	(004000–008108)	Fitting, Hyd, Str, Jm08/Om10	1
6	56821	(004000–)	Fitting, Hyd, E90, Jm08/Om10	1
7	44869	(004000–)	Fitting, Hyd, Str, Jm08/Om08	1
8	42226	(004000–)	Fitting, Hyd, E45, Jm08/Om08	1
9	70775	(004000–)	Bracket, Mtg, Valve	1
10	05611	(004000–)	Isolator, Vibration	1
11	70810	(004000–008108)	Insulation, Acoustic, Vac Fan	1
12	70790	(004000–008108)	Plate, Retainer, Foam	1
13	84015	(004000–007338)	Valve–Hyd, Solenoid (See Breakdowns)	1
13	1049210	(007339–)	Valve, Cntrl, Hyd, Solenoid, 12vdc 12gpm (See Break-downs)	1
14	9012095	(008015–)	Sensor Assy, Thermal	1
15	82733	(004000–)	Gasket, Fire Switch	1
16	54862	(004000–)	Screw, Flt, Soc, .38–16 X 1.75, Al	4
17	39534	(004000–)	Screw, Flt, Soc, .25–20 X 1.00, Al	4
18	13248	(004000–)	Washer, Flat, 0.40b 1.12d .12, Stl, Pl	4
19	50902	(004000–)	Nut, Hex, Lock, .38–16, NI	4
20	32984	(004000–)	Washer, Lock, Int, 0.31	2
21	19313	(004000–)	Nut, Hex, Std, .31–18	2
22	1071253	(008109–)	Motor, Hyd, Gear, Ext 0.17 Lh 3000	1
23	56821	(008109–)	Fitting, Hyd, E90, Jm08/Om10	1
24	55586	(008109–)	Fitting, Hyd, Str, Jm04/Om04	1
25	17980	(008109–)	Fitting, Hyd, E90, Jf08/Jm08	1
26	32490	(004000–008108)	Washer, Flat, 0.25, Std	3
27	06942	(004000–008108)	Screw, Hex, M6 X 1.00 X 16, 8.8	3
28	32981	(004000–)	Nut, Hex, Lock, .25–20, NI	4
29	32483	(004000–)	Washer, Flat, 0.25, Sae	4
30	06952	(004000–)	Screw, Hex, M6 X 1.00 X 90, 8.8	2
31	19066	(004000–)	Washer, Flat, 0.25b 0.56d .05, Pl, 10	4
32	08708	(004000–)	Nut, Hex, Lock, M6 X 1.00, NI	2
33	63416	(004000–)	Washer, Flat, 0.31b 0.88d .12, Rbr	2
34	76570	(004000–)	Screw, Hex, M8 X 1.25 X 30, 8.8	1
35	32491	(004000–)	Washer, Flat, 0.31, Std	2
36	08709	(004000–)	Nut, Hex, Lock, M8 X 1.25, NI	1
37	09206	(004000–)	Screw, Hex, M4 X 0.70 X 12, 8.8	2
38	19065	(004000–)	Washer, Flat, 0.19b 0.44d .05, Pl, 08	2

Fig. 89 – Steering Group

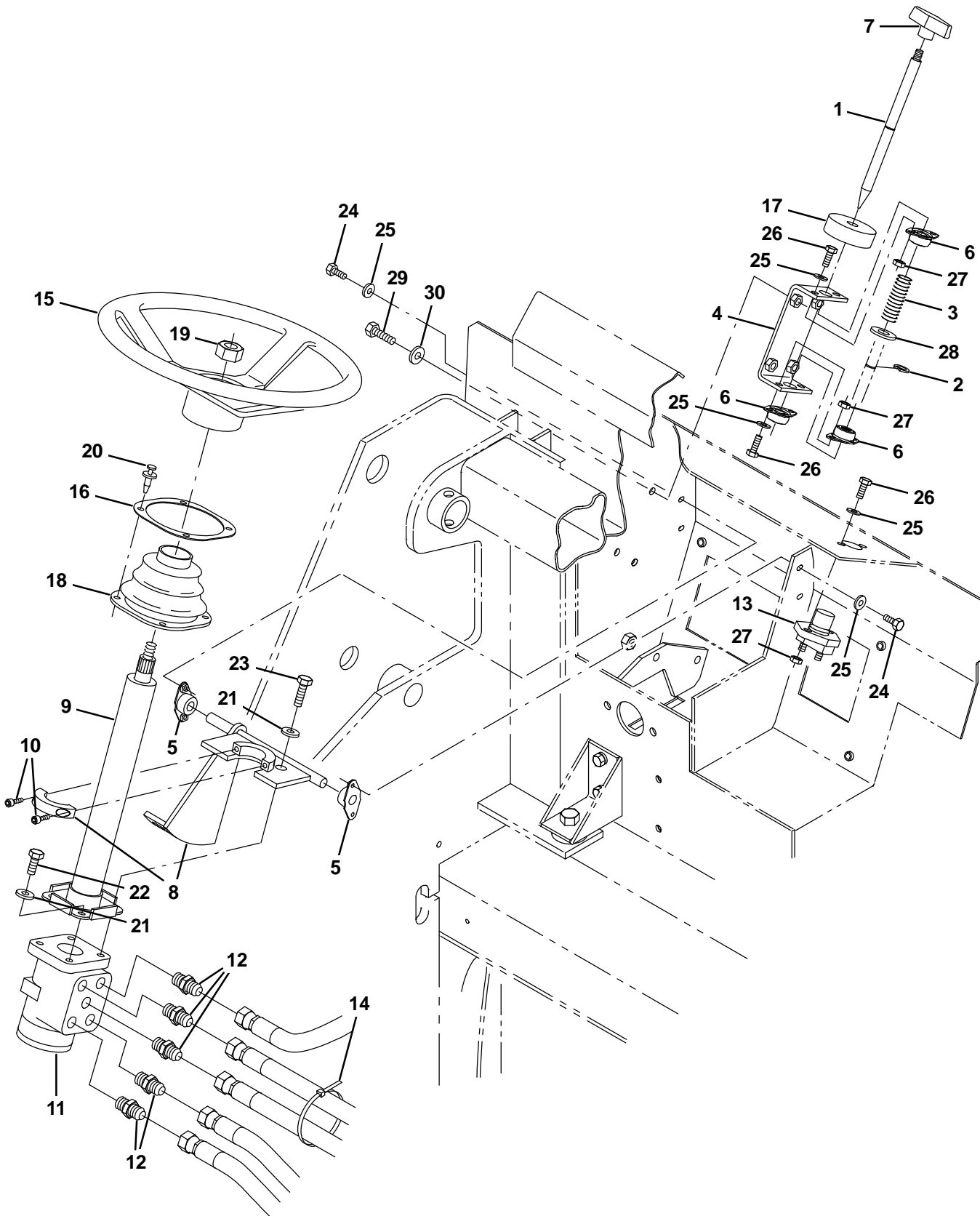


Fig. 89 – Steering Group

Ref.	Part No.	Serial Number	Description	Qty.	
1	64651	(004000–)	Rod, Latch, Steering, Tilt	1	
2	70717	(004000–)	Ring, Retain, Ex, 0.50Od, Heavy Dt	1	
3	22290	(004000–)	Sprng, Comp, 0.62Idx, 0.06Wire 2.3L	1	
4	64655	(004000–)	Channel, Mtg, Steering Latch	1	
5	70709	(004000–)	Bearing, Flange .500B	2	
6	47585	(004000–)	Bearing–Flange, 2 Hole 0.50Bore	3	
7	04706	(004000–)	Handle, Lift, Brush	1	
8	64586	(004000–)	Bracket Wldt, Steering Tilt	1	
▽	9	64631	(004000–)	Column, Steering 12"	1
▲	74142	(004000–)	Boot	1	
10	21195	(004000–)	Scr Hex .38–16X0.75	2	
11	65242	(004000–)	Steer Control, Hyd (See Breakdowns)	1	
12	56690	(004000–)	Ftg–Hyd Str Jm06/Om06	5	
13	44078	(004000–)	Switch, Pushmom, Spst100A 12V	1	
14	49263	(004000–)	Tie, Cable 3.00D Max 11.41Lg	3	
▽	15	56398	(004000–007673)	Wheel, Steering	1
▲	70218	(004000–007673)	Cap, Wheel, Steering	1	
▲	70219	(004000–007673)	Insert, Wheel, Steering	1	
▽	15	1058996	(007674–)	Wheel, Steering, 14.0d 0.81b 36tooth	1
▲	768482	(007674–)	Cover, Wheel, Steering	1	
16	70623	(004000–)	Plate, Mtg, Steering Boot	1	
17	75968	(004000–)	Seal, Bearing	1	
18	70622	(004000–)	Seal, Boot, Steering Column	1	
19	56185	(004000–)	Nut–hx Jam M20x1.5 4 Pltd	1	
20	72970	(004000–)	Rivet, Plastic .250Dx.898	4	
21	32485	(004000–)	Washer, Flat, 0.38, Sae	4	
22	27988	(004000–)	Screw, Hex, .38–16 X 1.50, G5	2	
23	21195	(004000–)	Screw, Hex, .38–16 X 0.75, G5	2	
24	11329	(004000–)	Screw, Hex, M6 X 1.00 X 16, NI, Ss	4	
25	19066	(004000–)	Washer, Flat, 0.25b 0.56d .05, PI, 10	14	
26	06943	(004000–)	Screw, Hex, M6 X 1.00 X 20, 8.8	4	
27	08708	(004000–)	Nut, Hex, Lock, M6 X 1.00, NI	6	
28	32486	(004000–)	Washer Flat, 0.50, Sae	1	
29	39277	(004000–)	Screw, Hex, M8 X 1.25 X 25, 8.8	3	
30	41186	(004000–)	Washer, Flat, Belleville, .31	3	

Fig. 90 – Electrical Instrument Panel Assembly

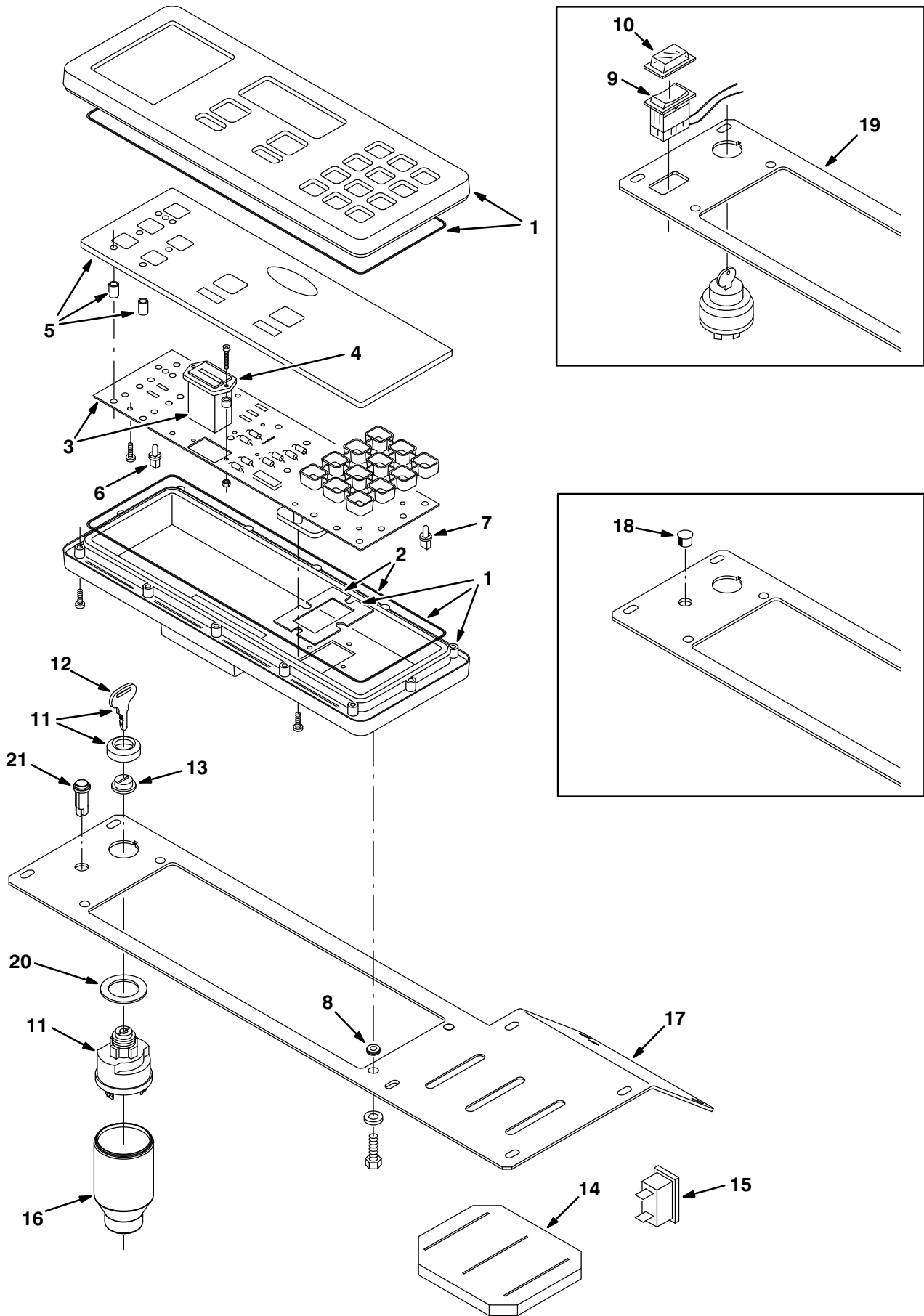
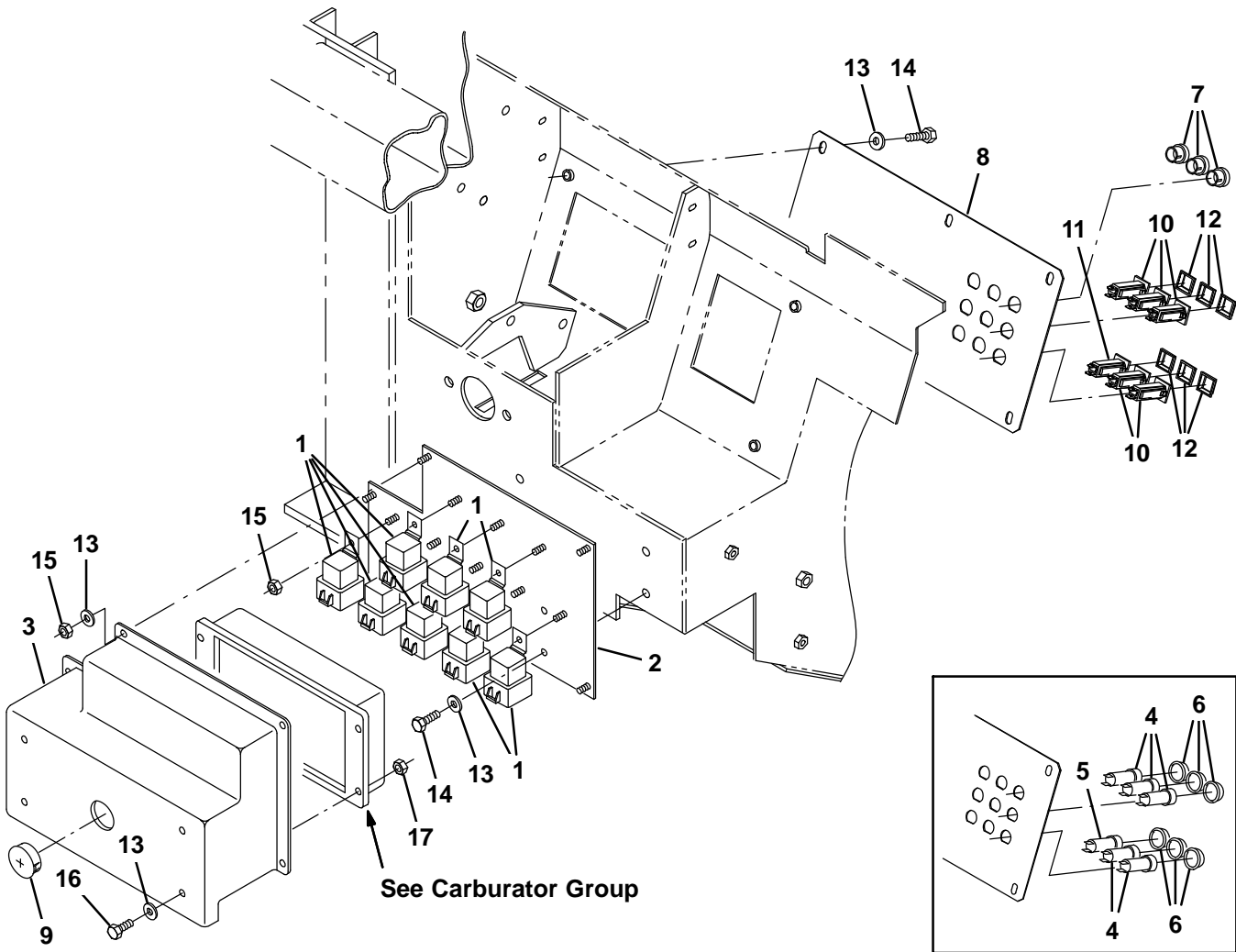


Fig. 90 – Electrical Instrument Panel Assembly

	Ref.	Part No.	Serial Number	Description	Qty.
▽		59970	(004000–)	Replm Kit, Instr Panel	1
▲	1	59976	(004000–)	Replm Kit, Case	1
▲	2	59977	(004000–)	Replm Kit, Seal	1
▲▽	3	59974	(004000–)	Replm Kit, Cir Board	1
▲▲	4	59978	(004000–)	Replm Kit, Hourmeter	1
▲	5	59979	(004000–)	Replm Kit, Touch Panel	1
▲	6	59971	(004000–)	Replm Kit, Lamp, Backlighting (Set of 8)	2
▲	7	56346	(004000–)	Replm Kit, Lamp, Fault (Set of 8)	1
	8	10632-5	(004000–)	Grommet,Rbr,0.25ld,For .09Matl	4
	9	61969	(004000-004274)	Switch, Rocker, Dpdt	1
	10	57807	(004000-004274)	Cover, Rocker Switch Seal	1
▽	11	87536	(004000–)	Switch Ignition	1
▲	12	87866	(004000–)	Key Set,Switch Ku	1
	13	382516	(004000–)	Boot, Switch	1
	14	79648	(004000–)	Seal, Handle, Valve	1
	15	64141	(004000–)	Light, Indicator 14V Red 1.2x0.7	1
	16	383165	(004322–)	Boot, Switch, Ignition	1
	17	1012670	(004275-008088)	Panel, Cover, Dash	1
	17	1073801	(008089–)	Panel, Cover, Instmt [800 Gray]	1
	18	56992	(004275-005999)	Plugbutton	1
	19	65245	(004000-004274)	Panel, Cover, Dash	1
	20	73736	(004000–)	Washer	1
	21	1012185	(006000–)	Light, Check Eng, Amb, 14vdc	1

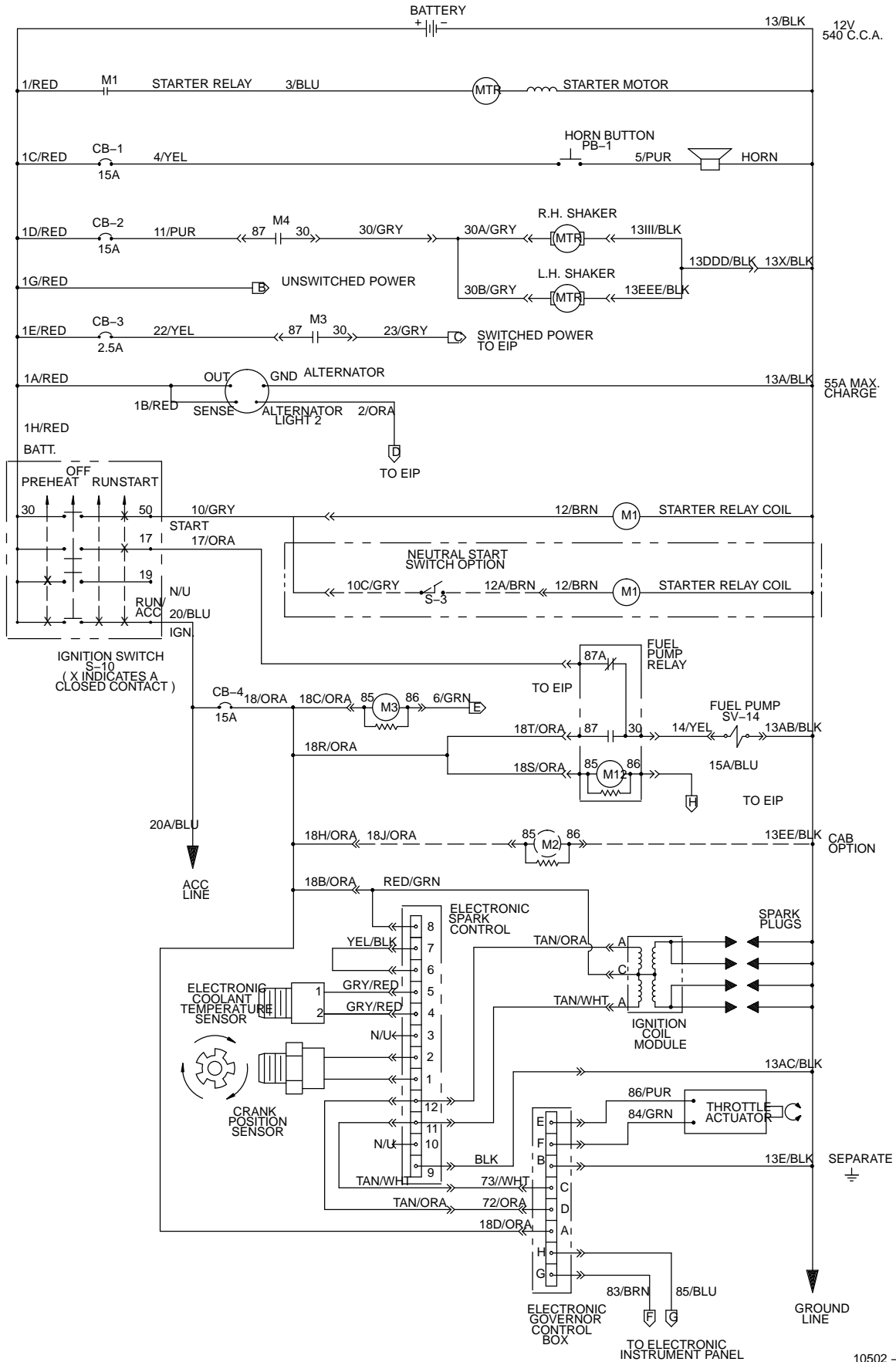
Fig. 91 – Electrical Circuit Breaker and Relay Group



07735 – G, LP

Ref.	Part No.	Serial Number	Description	Qty.
1	56186	(004000–)	Relay, Shrouded, 12 Vdc	8
2	70398	(004000–)	Plate, Mtg, Relay	1
3	70402	(004000–)	Cover, Relay Panel	1
4	57803	(004000–007289)	Breaker–Circuit, 15 Resetbl	5
5	87583	(004000–007289)	Breaker–Circuit, 2.5 Resetbl	1
6	57751	(004000–007289)	Boot–Circuit Breaker	6
7	57167	(004000–)	Plugbtn .62H .03–.12 Blacknyl	3
8	70411	(004000–008088)	Plate, Circuit Breaker	1
8	1073823	(008089–)	Plate, Circuitbreaker [800 Gray]	1
9	76888	(004000–)	Button, Plug 1.25H	1
10	1064188	(007290–)	Circuitbreaker, 15A, Restable	5
11	1064184	(007290–)	Circuitbreaker, 2.5A, Restable	1
12	1064191	(007290–)	Boot, Circuitbreaker	6
13	19066	(004000–)	Washer, Flat, 0.25b 0.56d .05, PI, 10	10
14	06943	(004000–)	Screw, Hex, M6 X 1.00 X 20, 8.8	10
15	08708	(004000–)	Nut, Hex, Lock, M6 X 1.00, NI	10
16	06942	(004000–)	Screw, Hex, M6 X 1.00 X 16, 8.8	4
17	07790	(004000–)	Nut, Hex, Flng, M6 X 1.00	4

Fig. 92 – Electrical Schematic (004000-004936)



10502 - G, LP

Fig. 92 – Electrical Schematic (004000-004936)

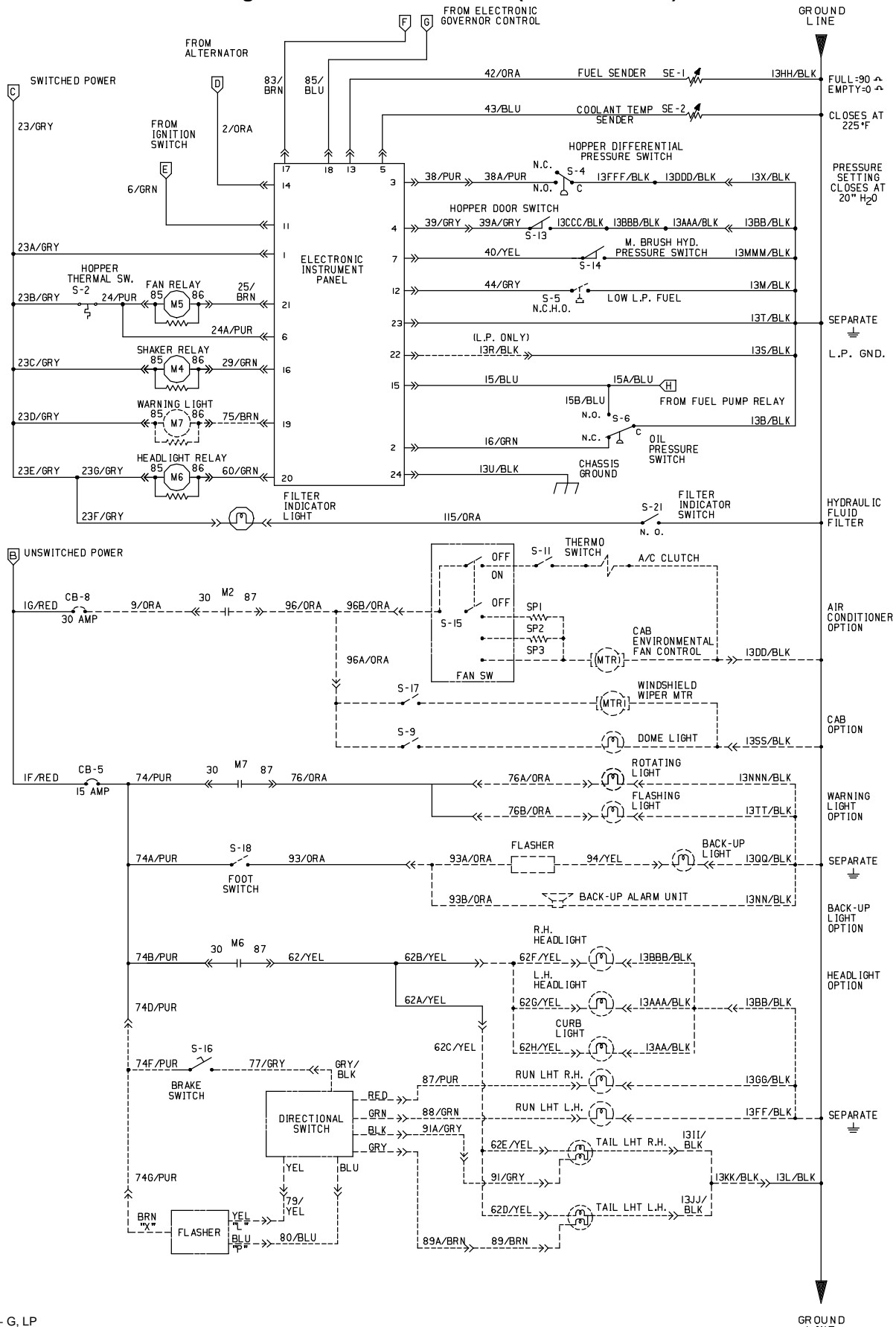
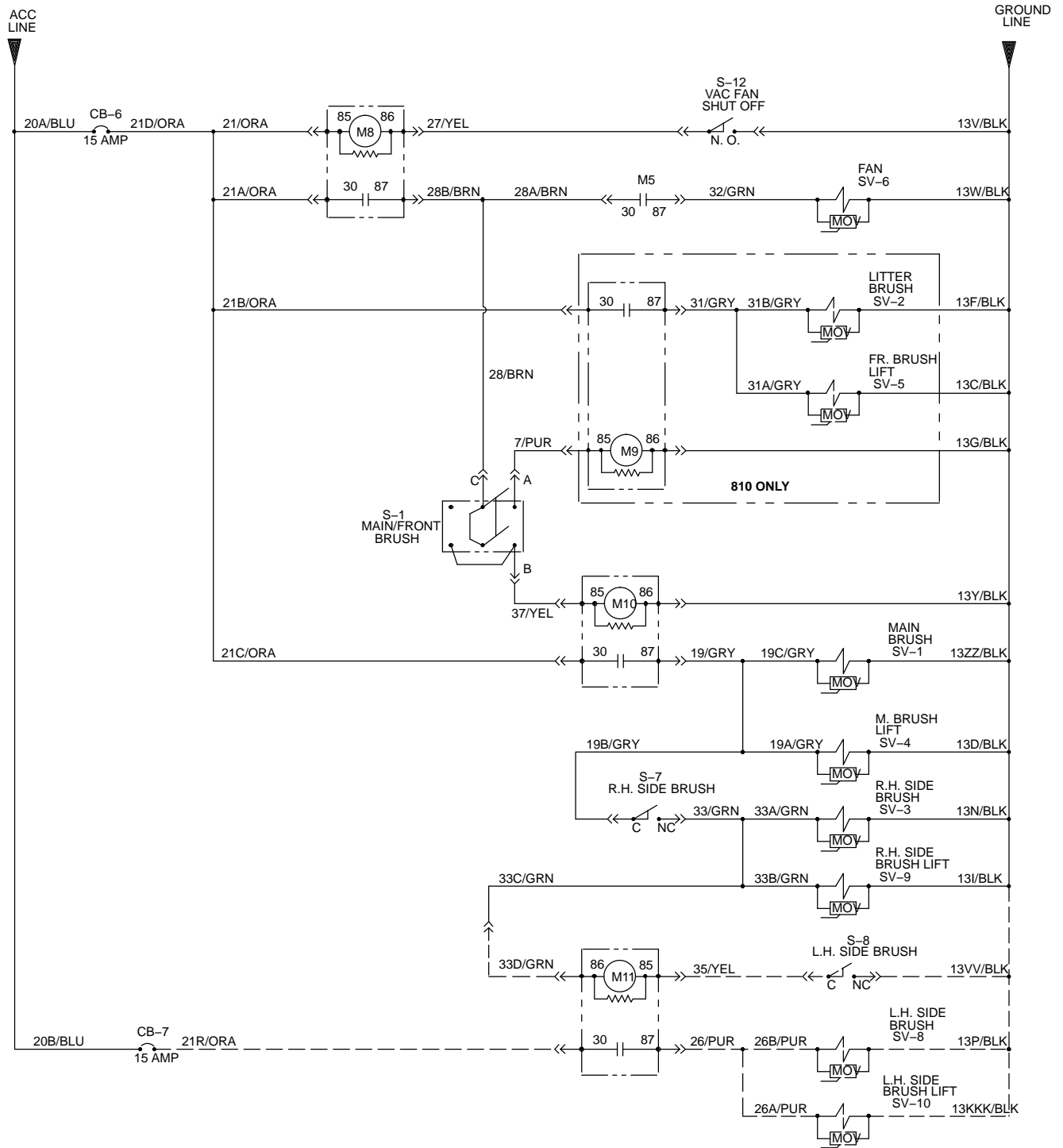
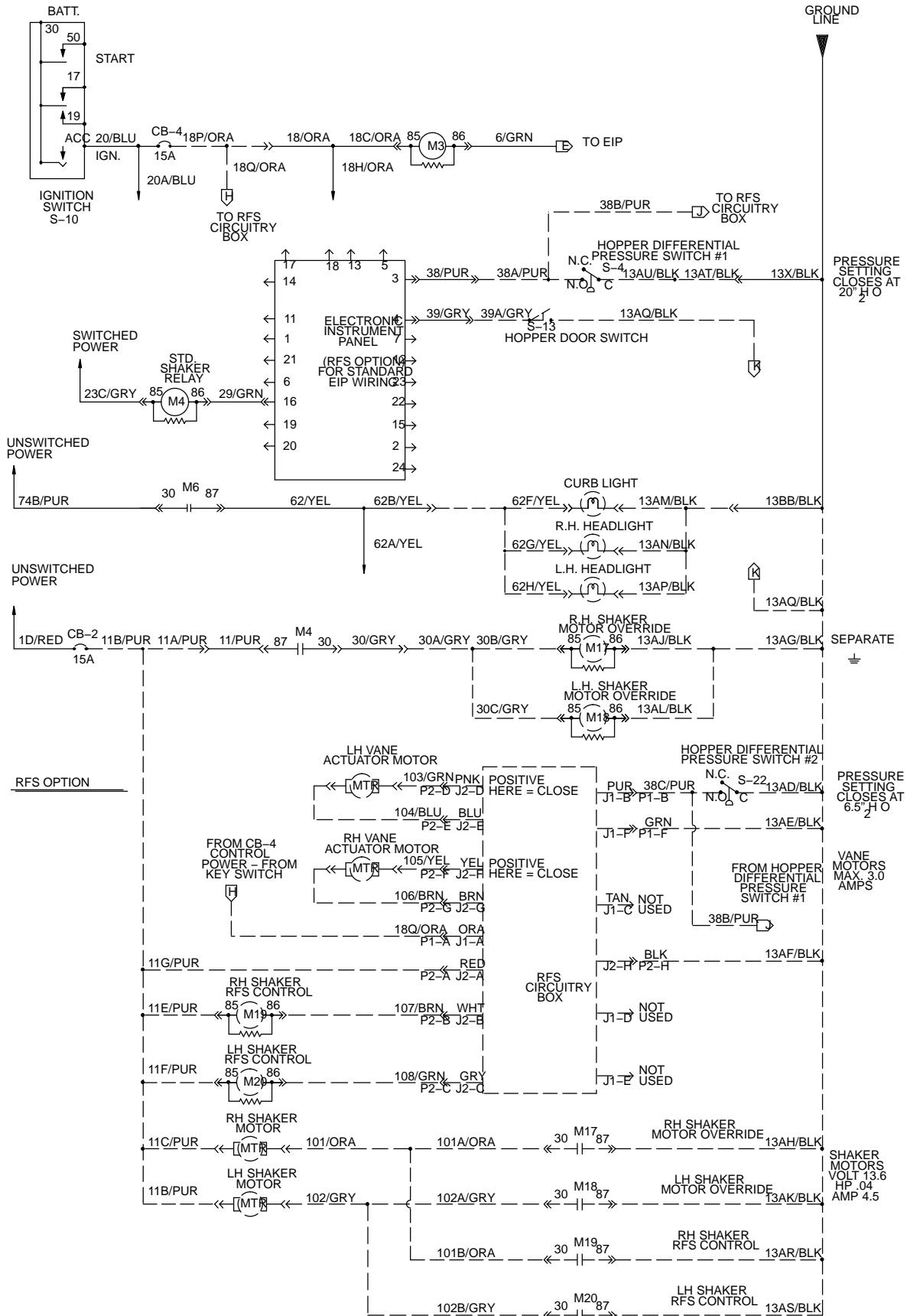


Fig. 92 – Electrical Schematic (004000-004936)



LEGEND			
M	POWER RELAY	HM	HOURLMETER
MTR	MOTOR	SV	SOLENOID VALVE
CB	CIRCUIT BREAKER	S	SWITCH
PM	PERMANENT MAGNET	ACC	ACCESSORY
J	JACK-FEM. SOCKET	GND	GROUND CHASSIS
P	PLUG-MALE PIN	C	COMMON
PB	PUSHBUTTON	N.O.	NORMALLY OPEN
VM	VOLTMETER	N.C.	NORMALLY CLOSED
FU	FUSE	NOV	METAL OXIDE VARISTOR

Fig. 92 – Electrical Schematic (004000-004936)



10502 - G, LP

Fig. 93 – Electrical Schematic (004937–005999)

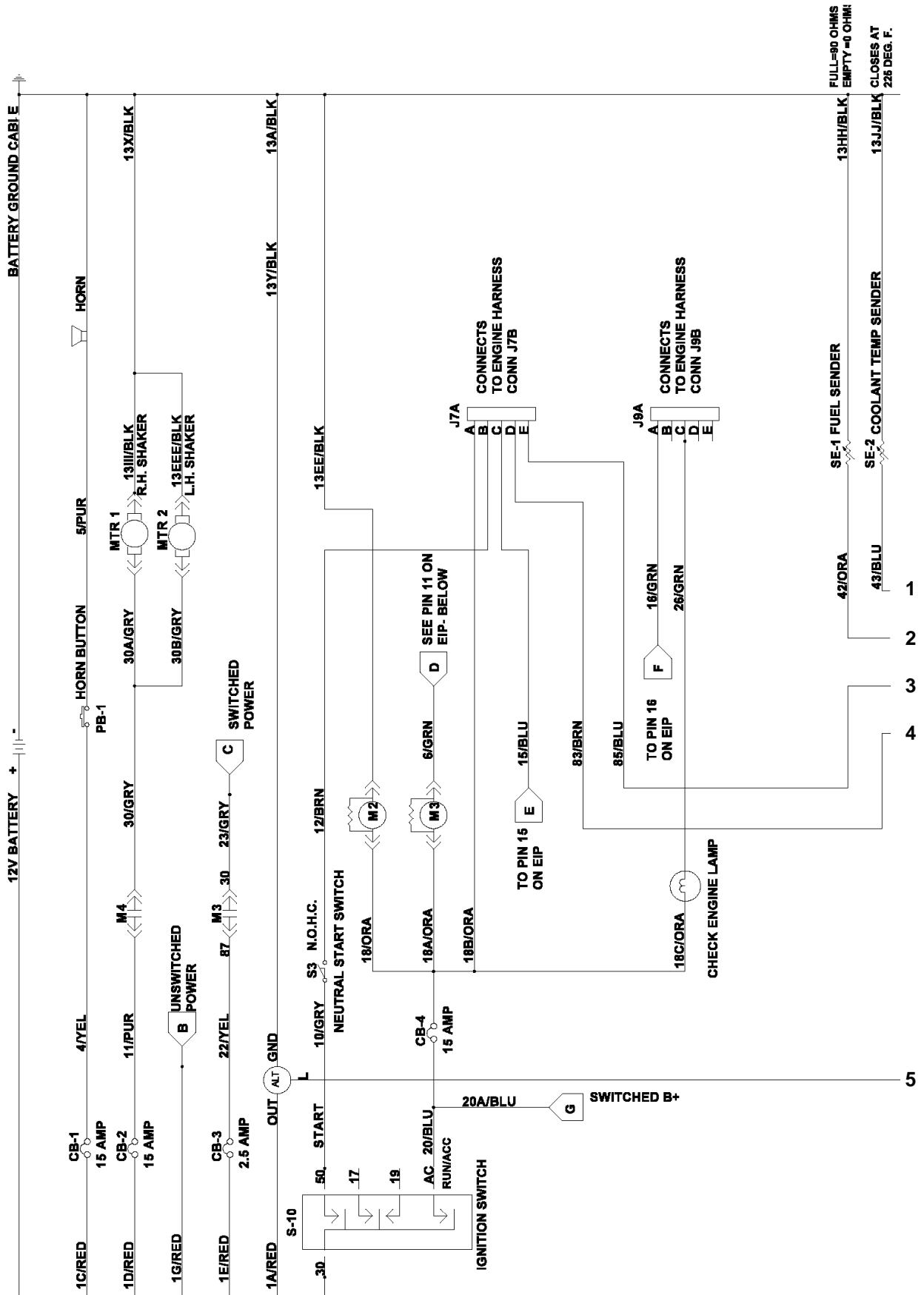


Fig. 93 - Electrical Schematic (004937-005999)

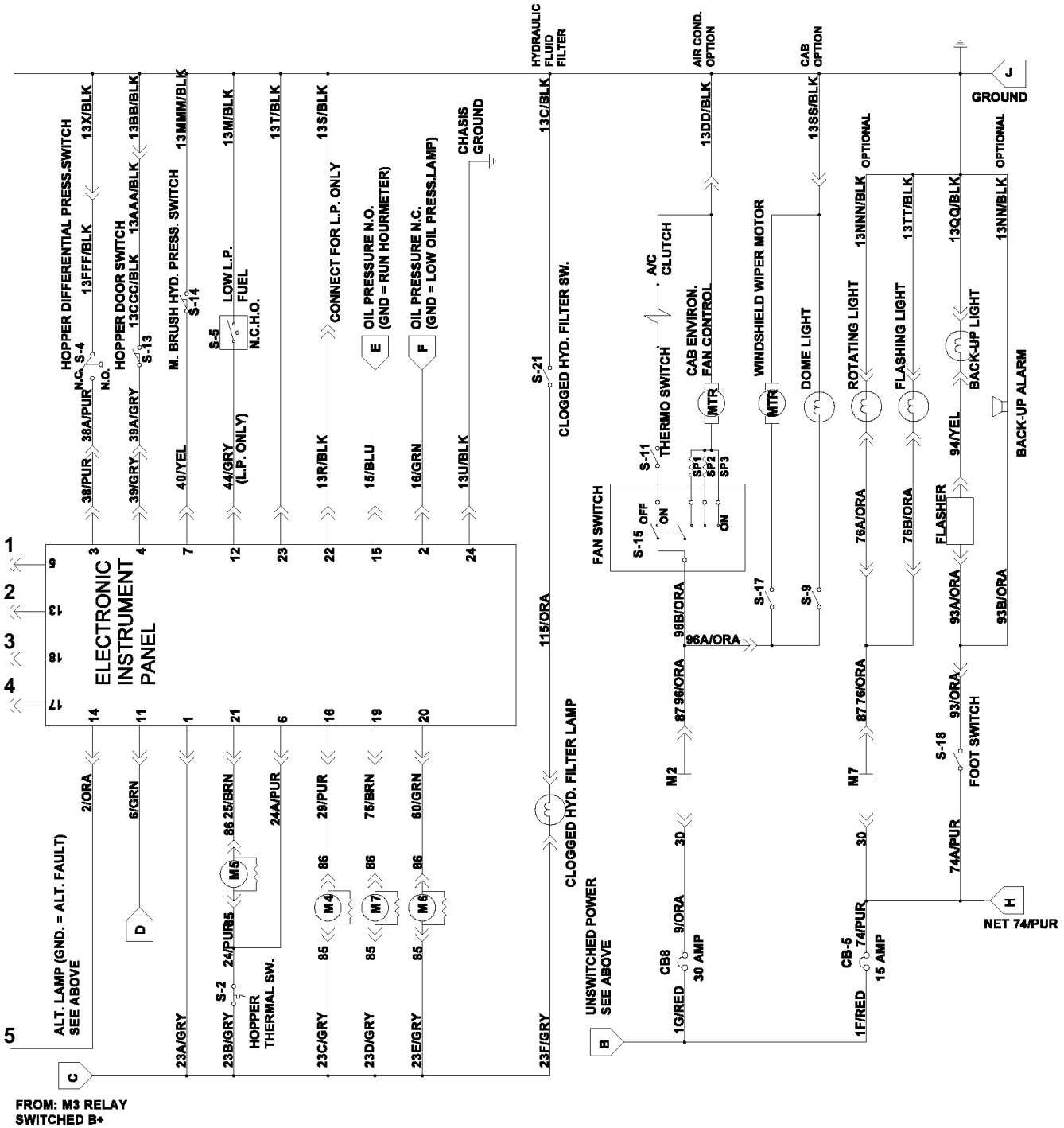


Fig. 93 – Electrical Schematic (004937–005999)

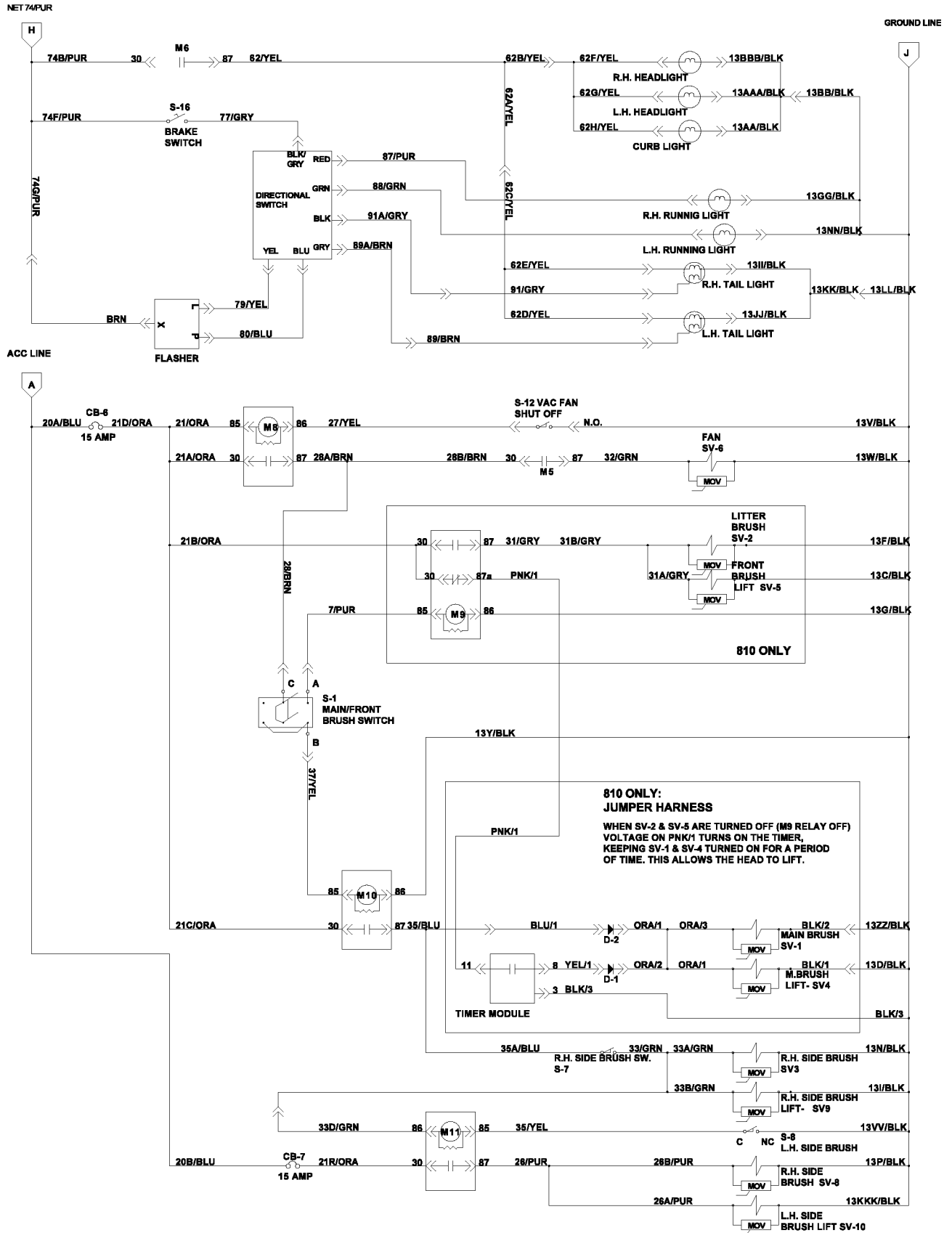
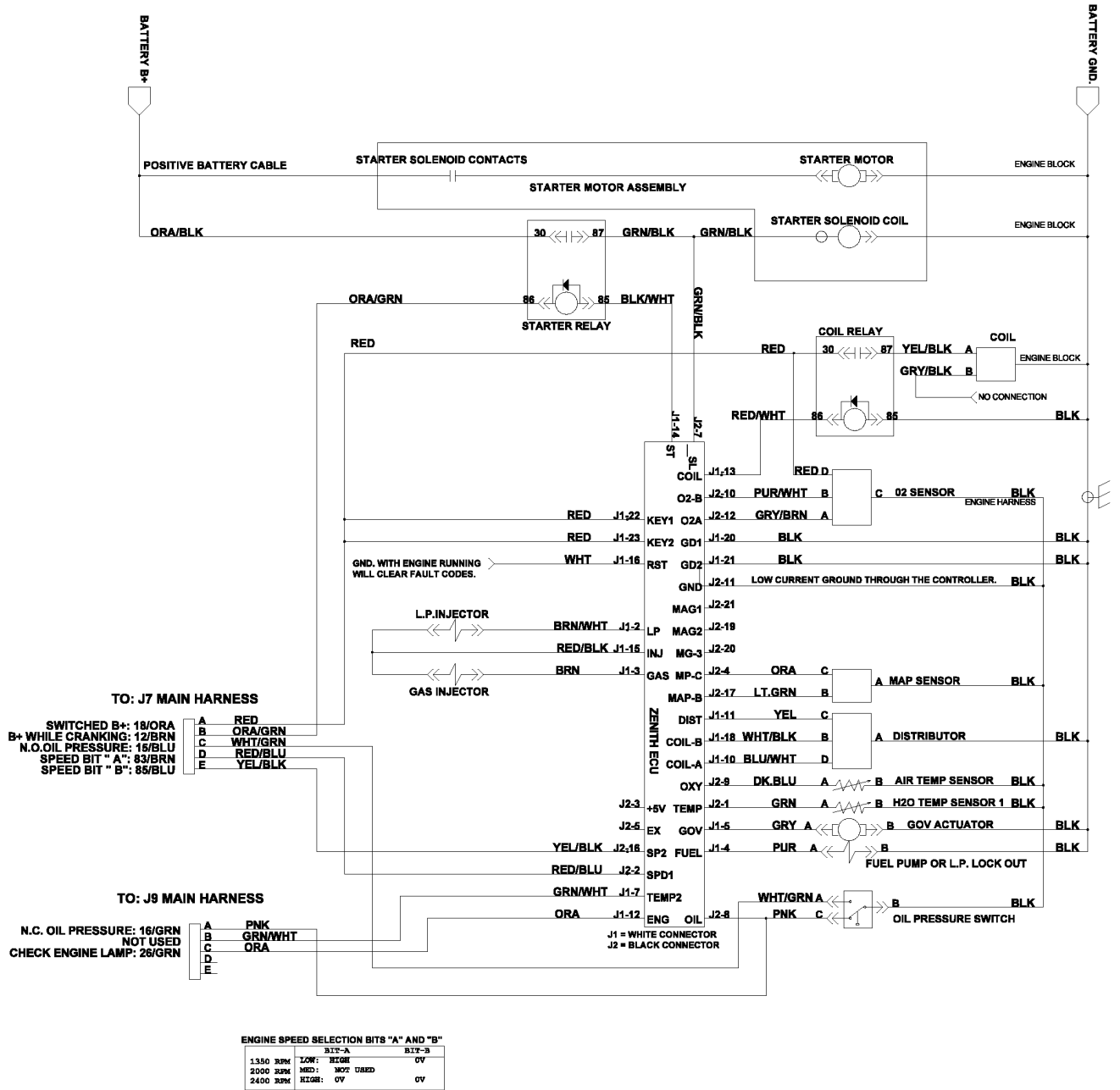


Fig. 93 – Electrical Schematic (004937-005999)



393277 – 800, 810, G, Lp

Fig. 93 – Electrical Schematic (004937-005999)

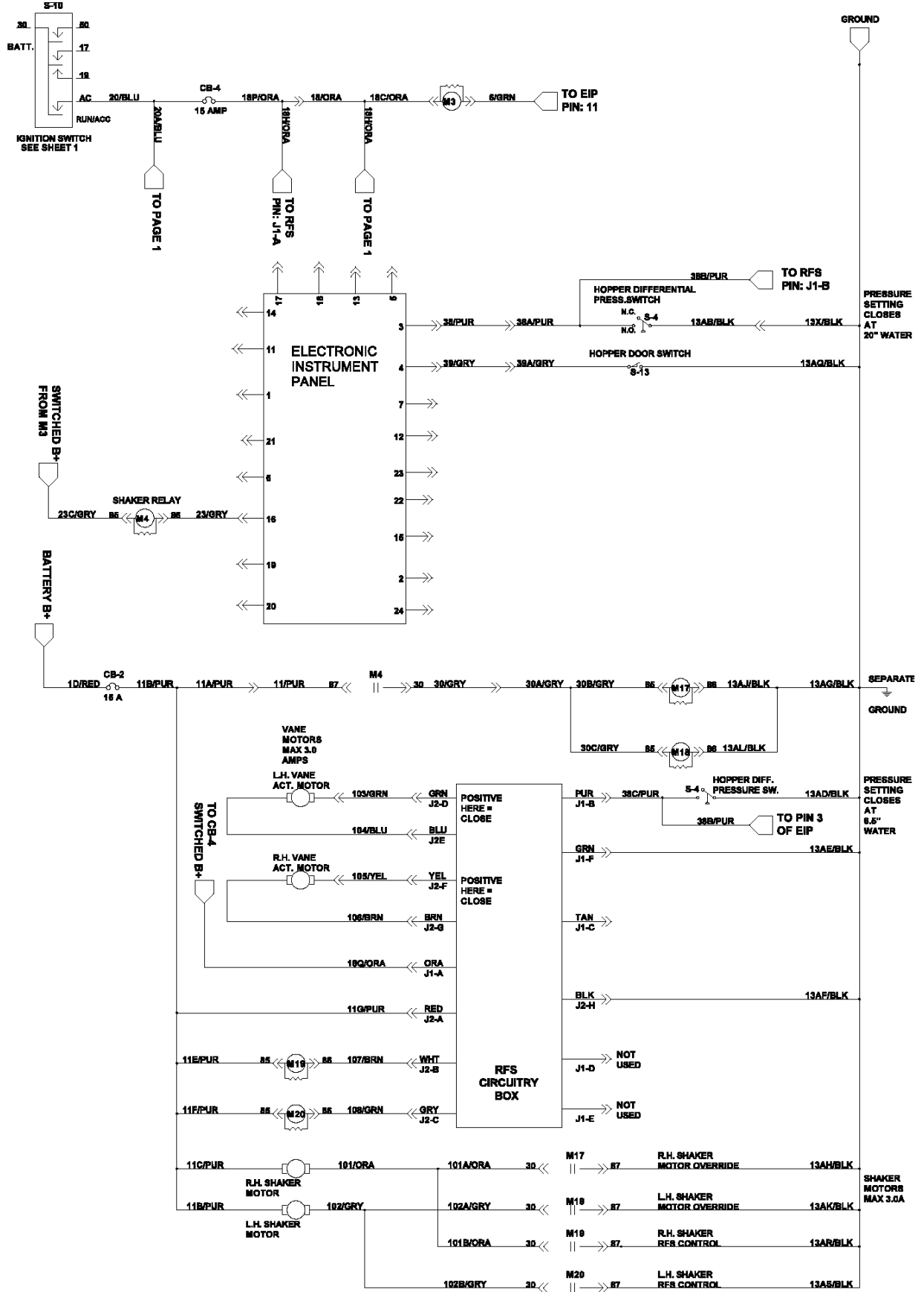
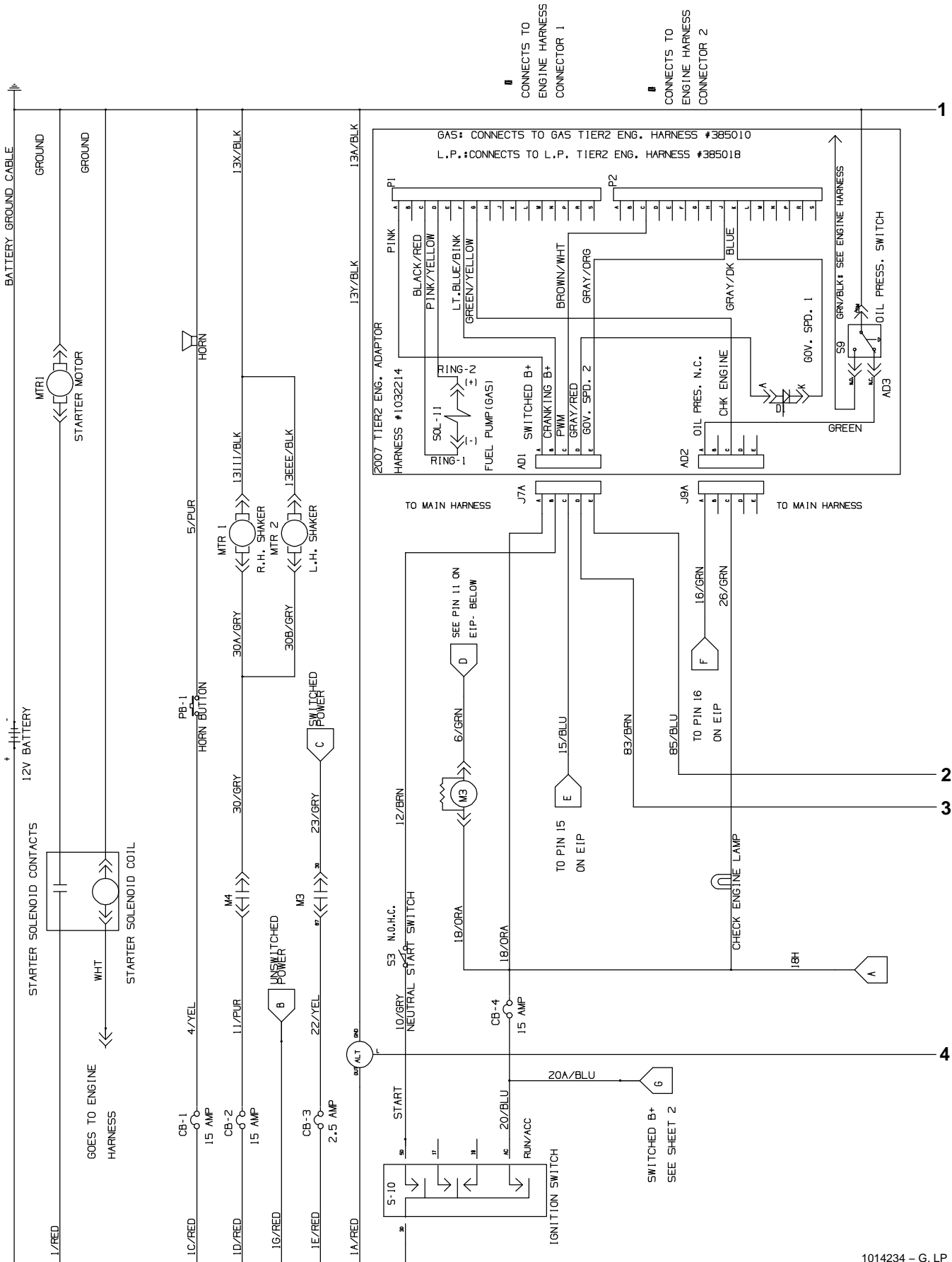
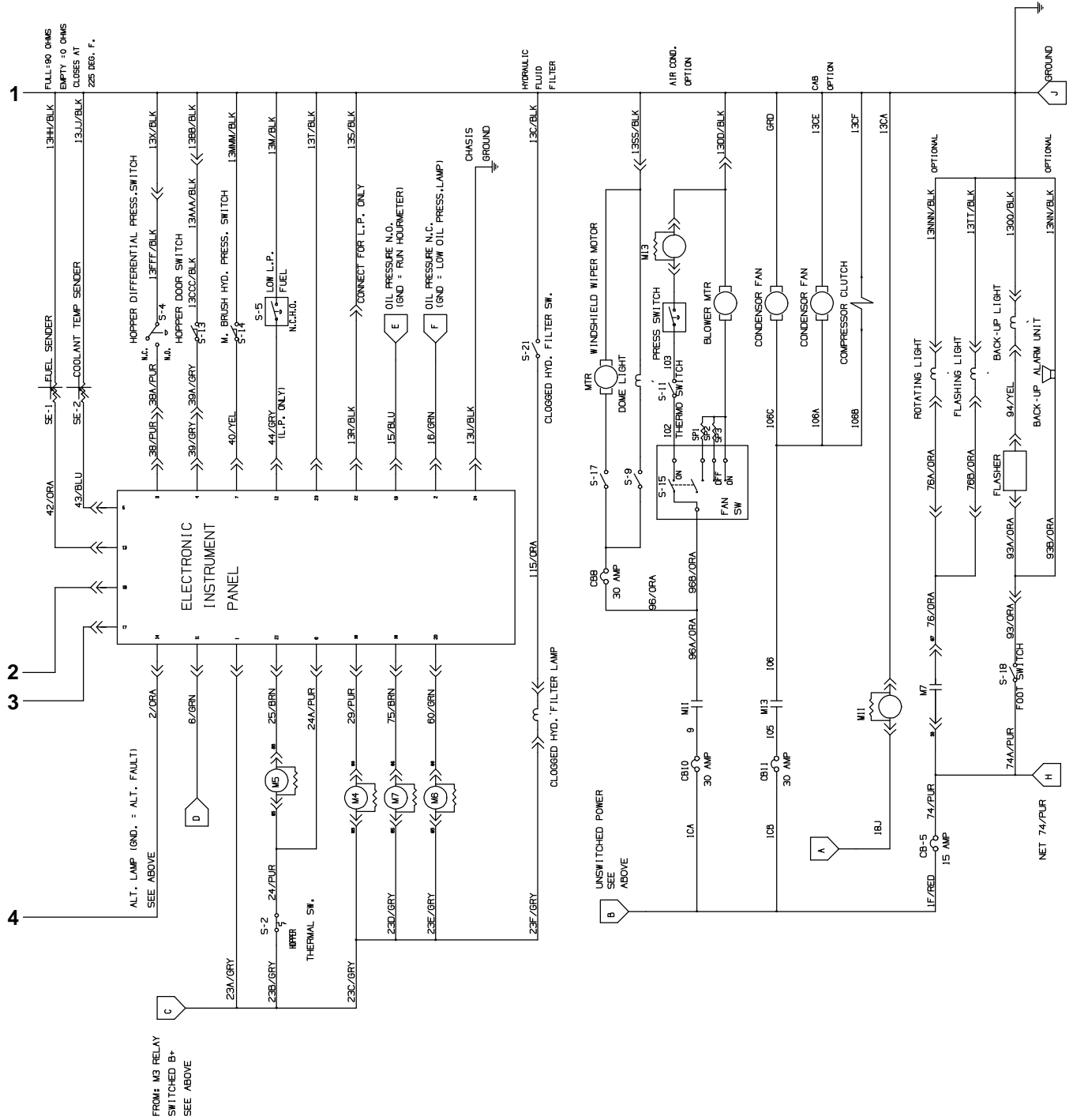


Fig. 94 – Electrical Schematic (006000–)



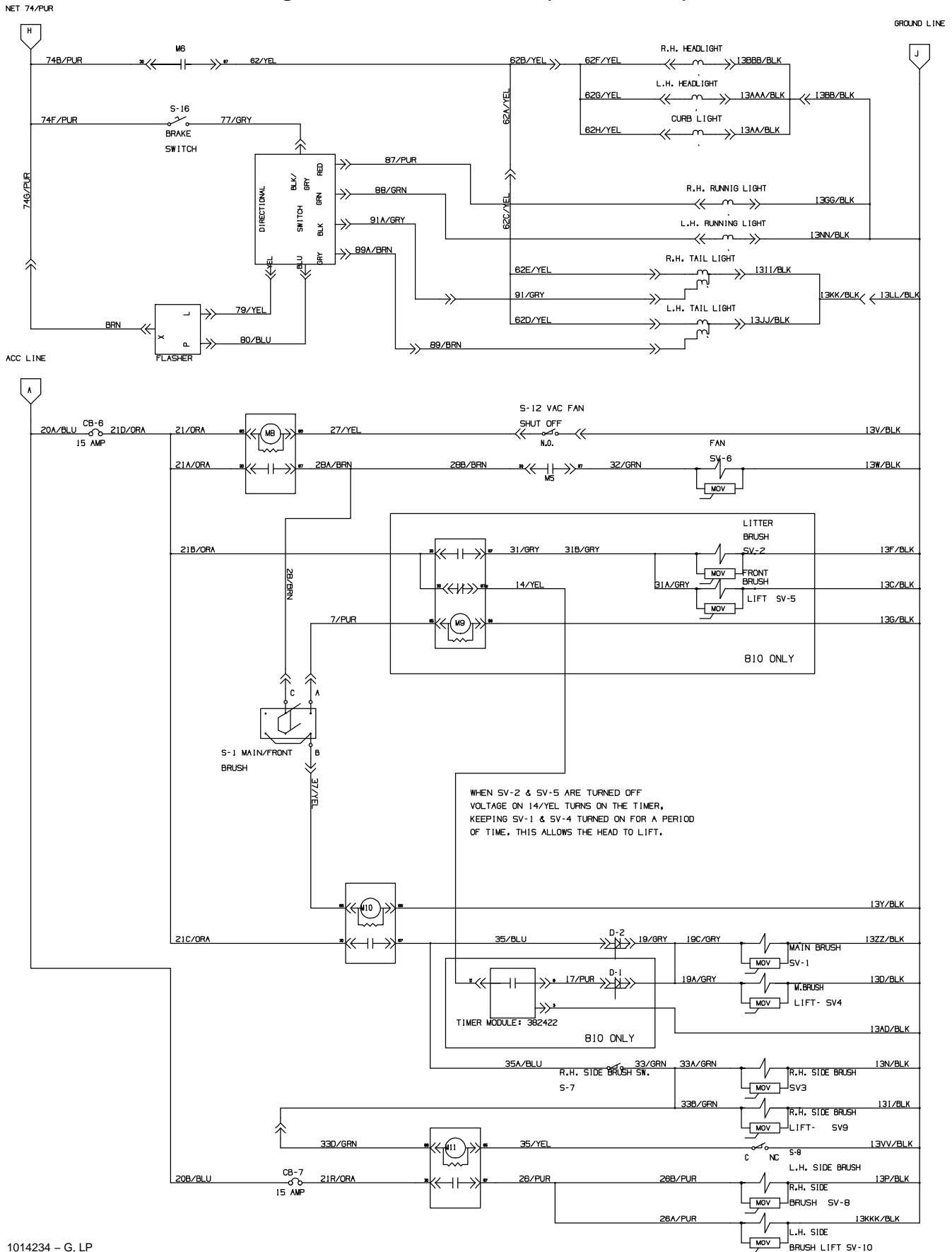
1014234 - G, LP

Fig. 94 - Electrical Schematic (006000-)



1014234 - G, LP

Fig. 94 – Electrical Schematic (006000–)



1014234 – G, LP

Fig. 94 – Electrical Schematic (006000–)

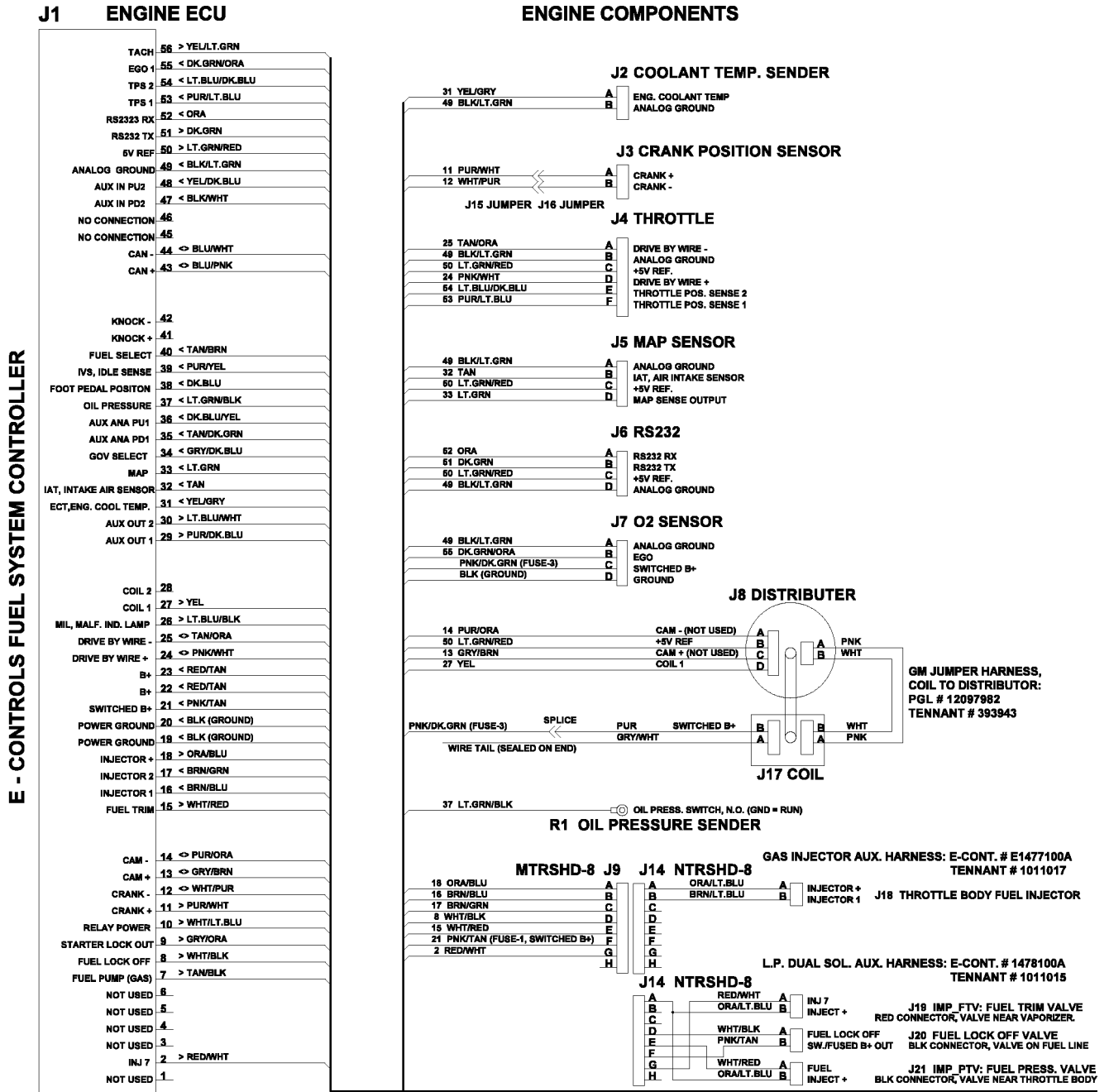
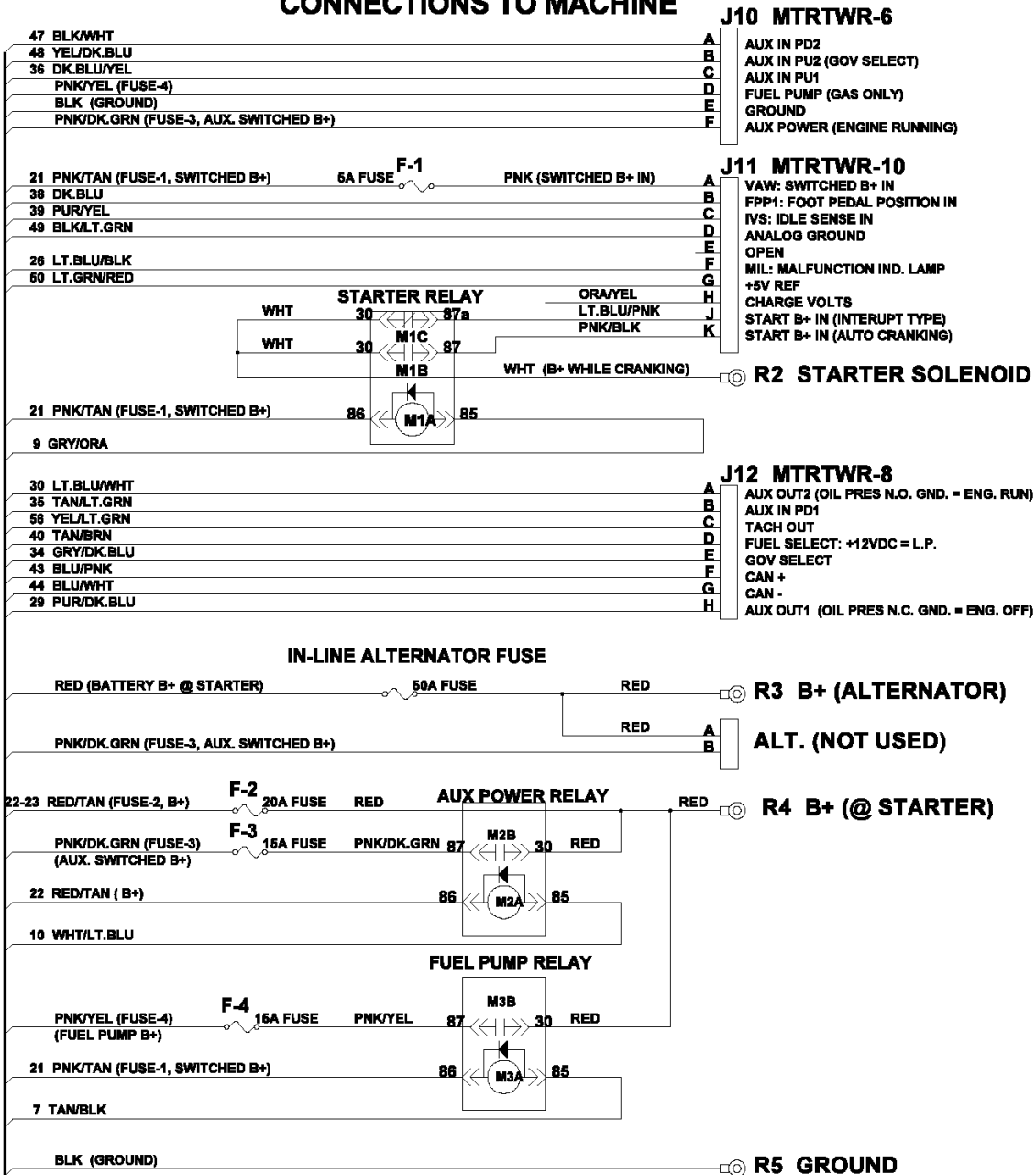


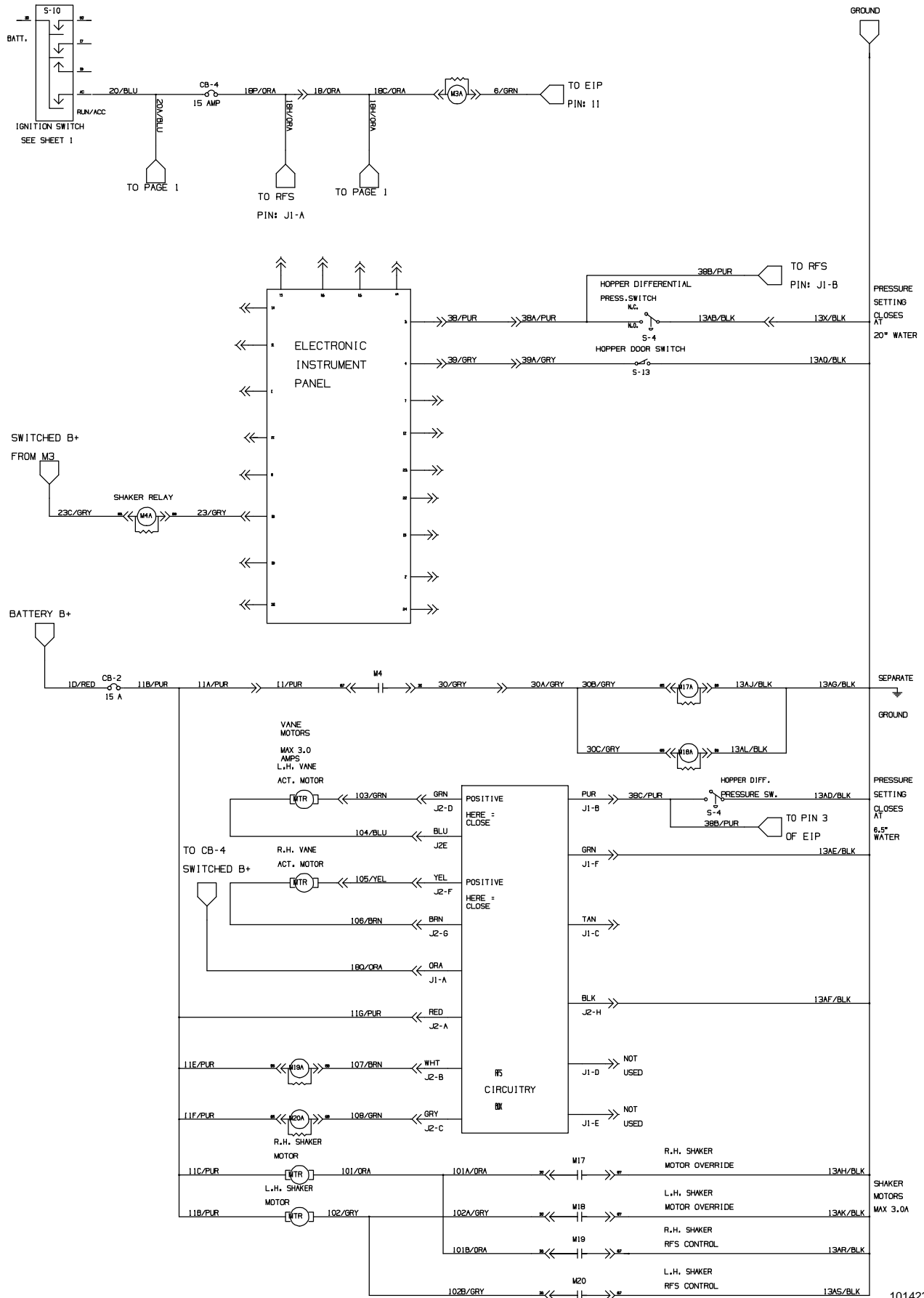
Fig. 94 – Electrical Schematic (006000-)
CONNECTIONS TO MACHINE



NOTES:

- 1) VENDOR: E-CONTROLS #E1350010E
- 2) ALL WIRE TO BE: SAE J1128 TXL
- 3) 3.0L GAS ENGINES INC. AUX. INJECTOR HARNESS:
 E-CONTROLS #E1477100A / TENNANT #1011017.
- 4) L.P. ENGINES INCLUDE AUX. INJECTOR HARNESS:
 E-CONTROLS #E1478100 / TENNANT #1011015

Fig. 94 – Electrical Schematic (006000–)



1014234 - G, LP

Fig. 95 - Wire Harnesses Group, Gas/LPG, Main (004000- 004274)

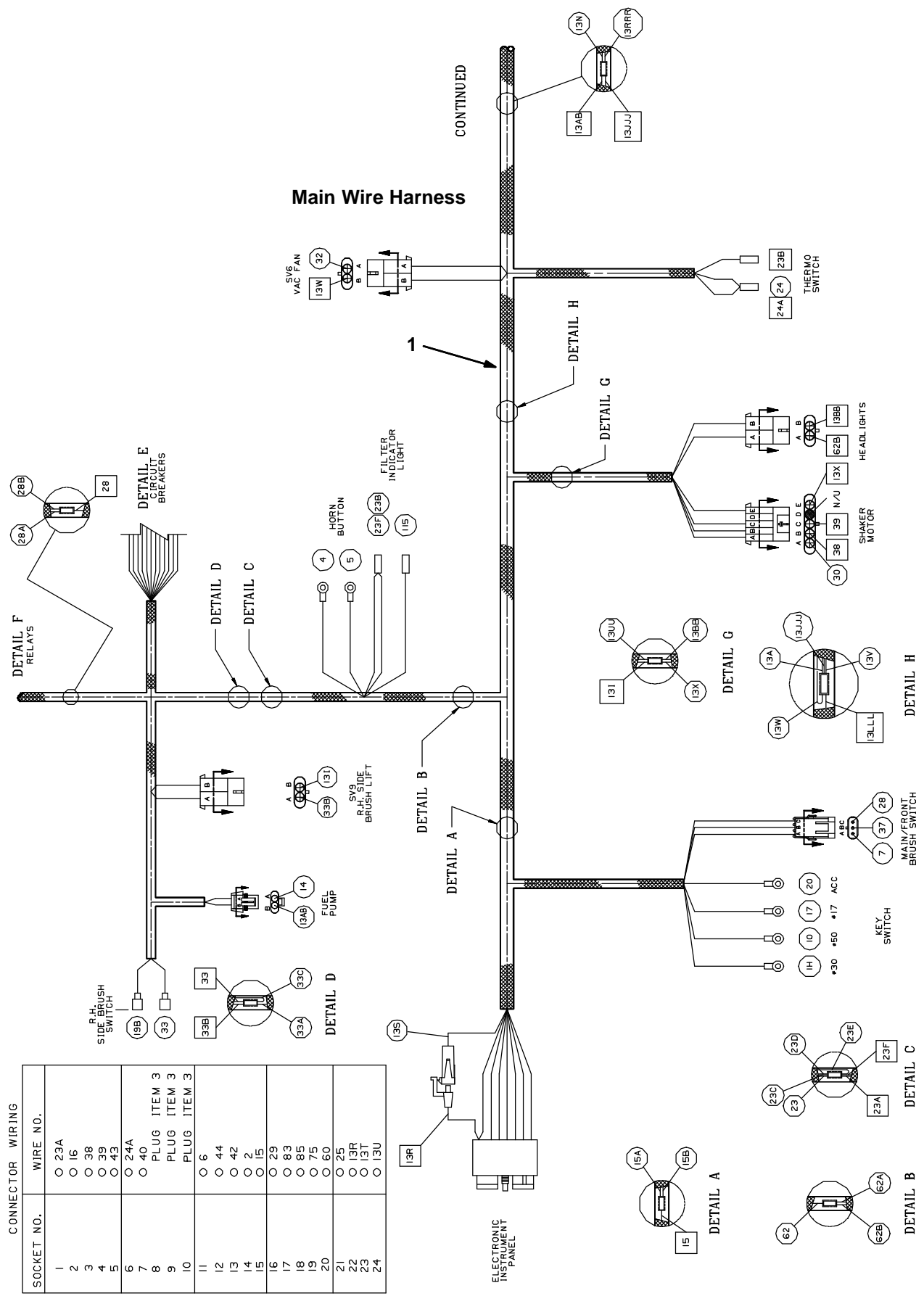


Fig. 95 – Wire Harness Group, Gas/LPG, Main (004000– 004274)

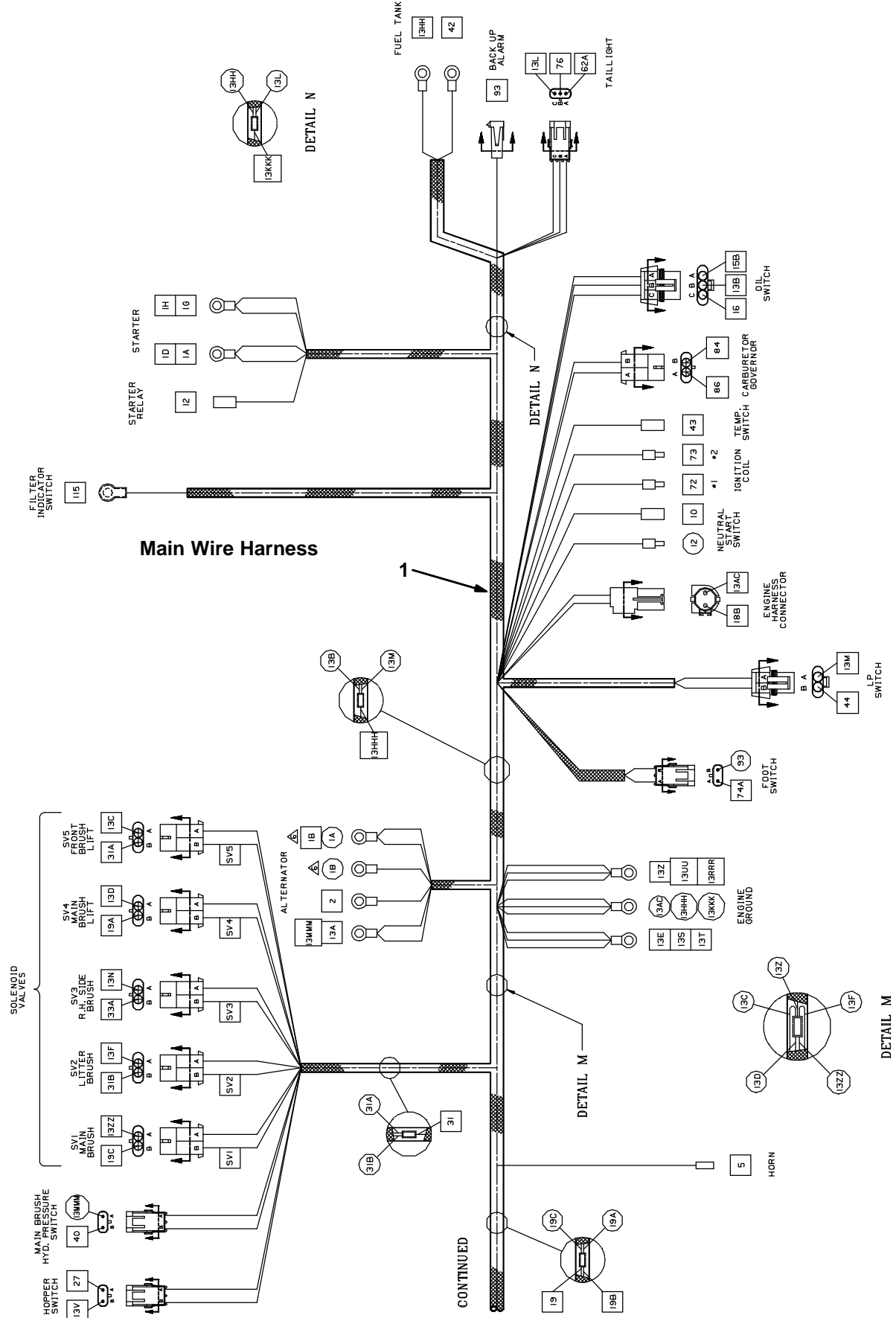


Fig. 95 – Wire Harness Group, Gas/LPG, Main (004000– 004274)

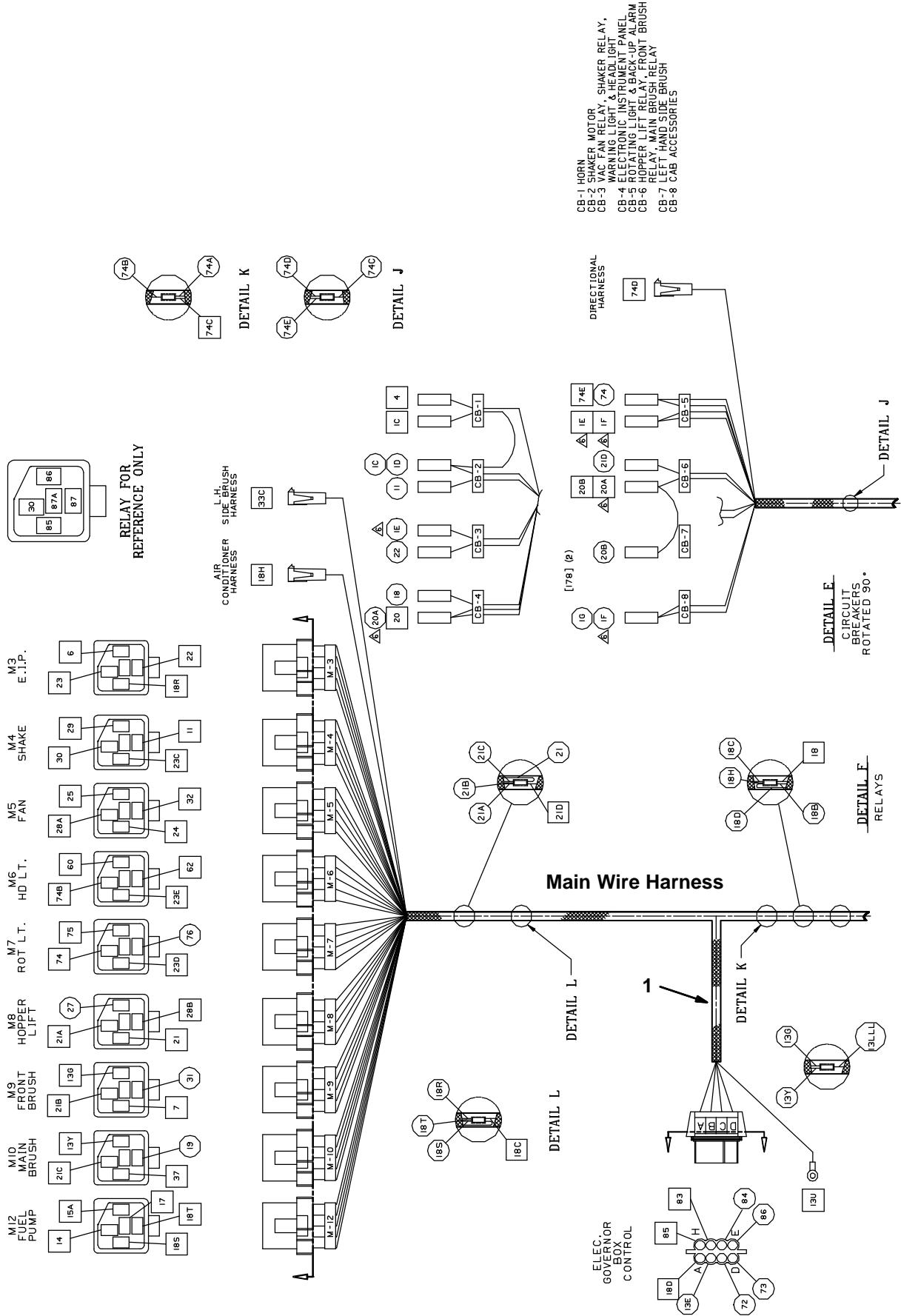
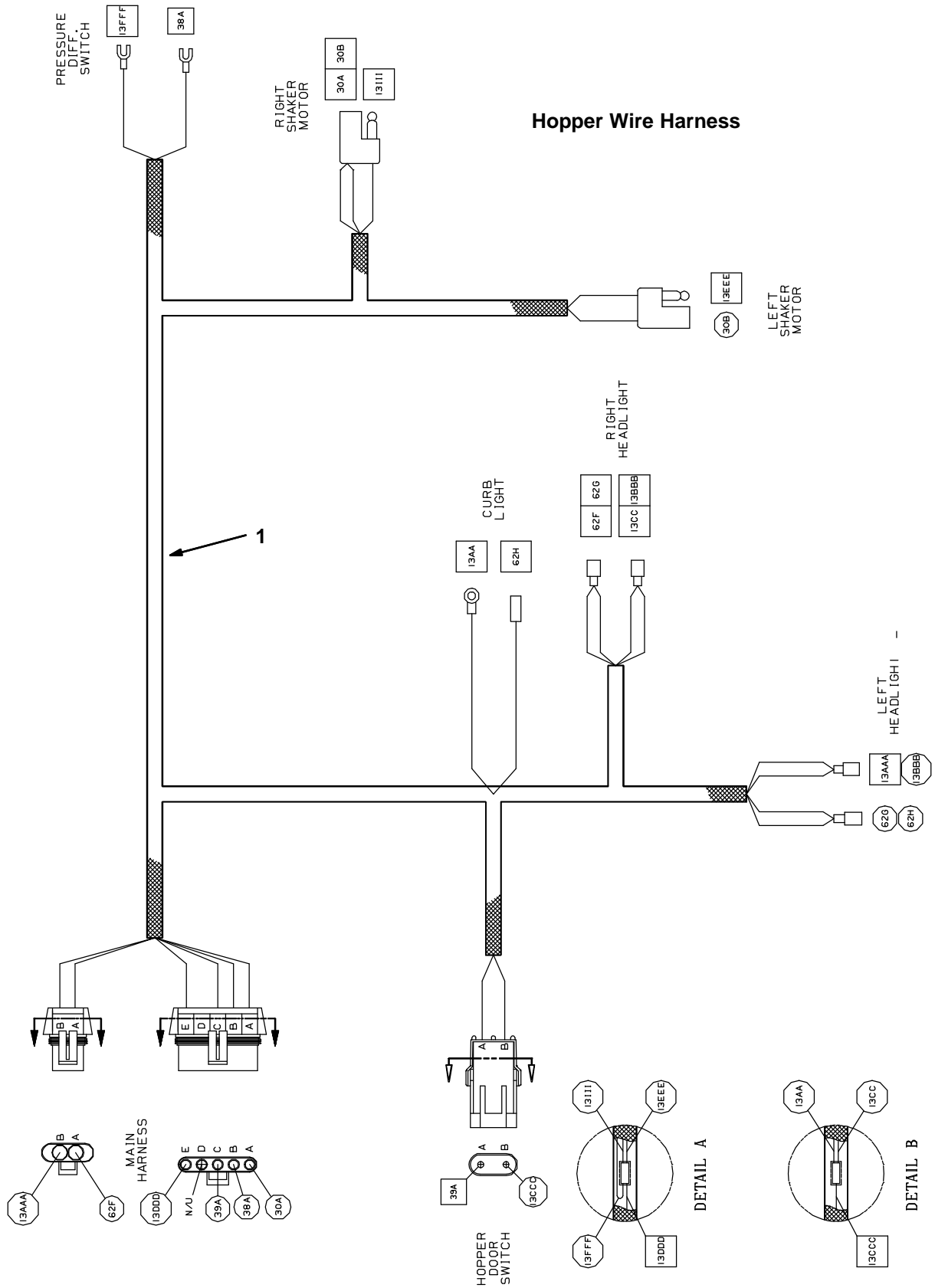


Fig. 95 – Wire Harnesses Group, Gas/LPG, Main (004000– 004274)

Ref.	Part No.	Serial Number	Description	Qty.
1	83693	(004000–004274)	Harness, Main, Gas/LPG, Lrg	1

STANDARD PARTS

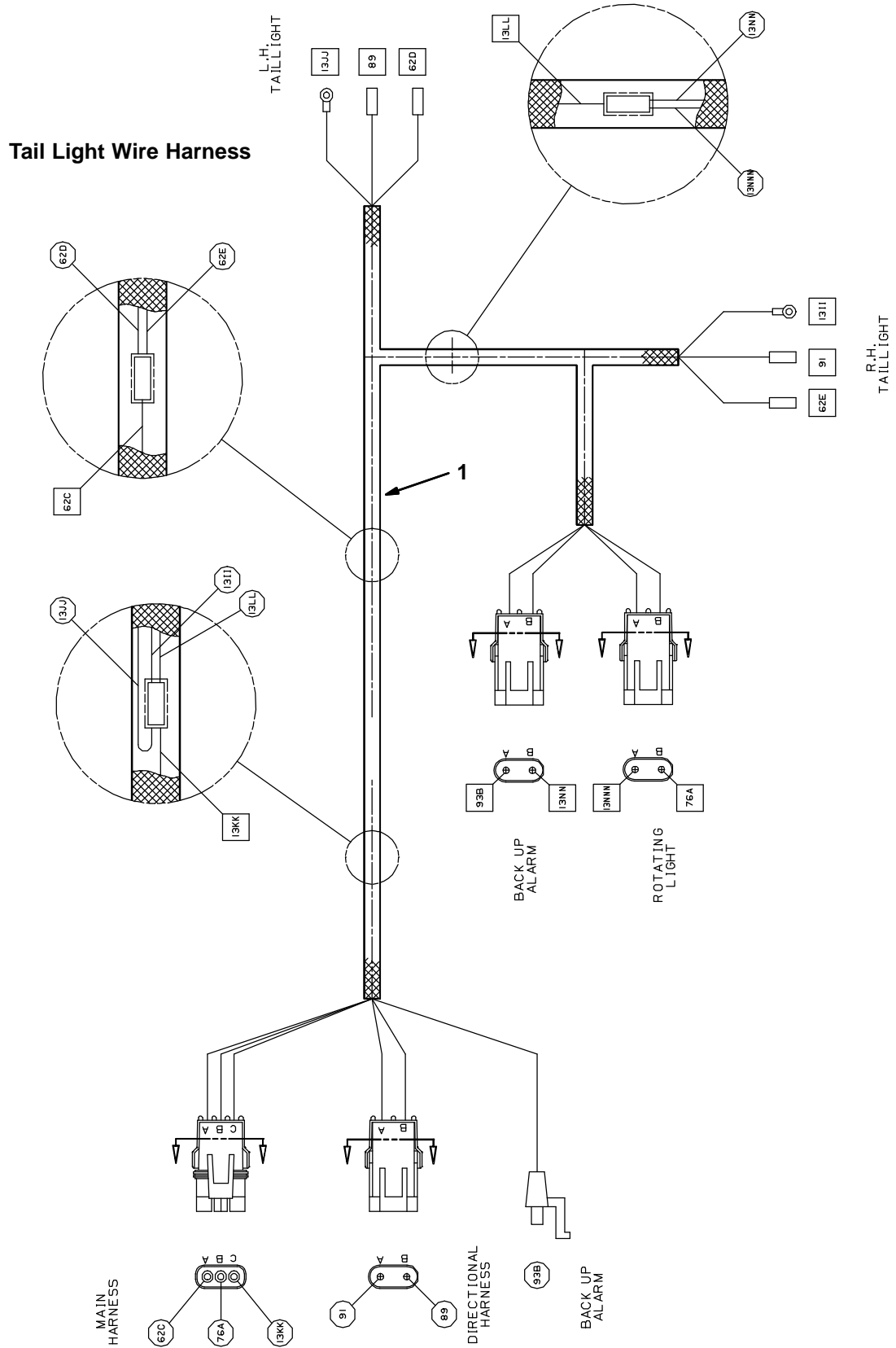
Fig. 96 – Wire Harnesses Group, Gas/LPG, Hopper (004000–)



351144 – G, LP

Ref.	Part No.	Serial Number	Description	Qty.
1	83695	(004000–)	Harness, Hopper 800/810	1

Fig. 97 – Wire Harnesses Group, Gas/LPG, Tail Lights (004000–)



351145 – G, LP

Ref.	Part No.	Serial Number	Description	Qty.
1	70400	(004000–)	Harness, Turn/Rotate/Tail Lights	1

Fig. 98 – Wire Harness Group, Gas/LPG, Main (004275–004936)

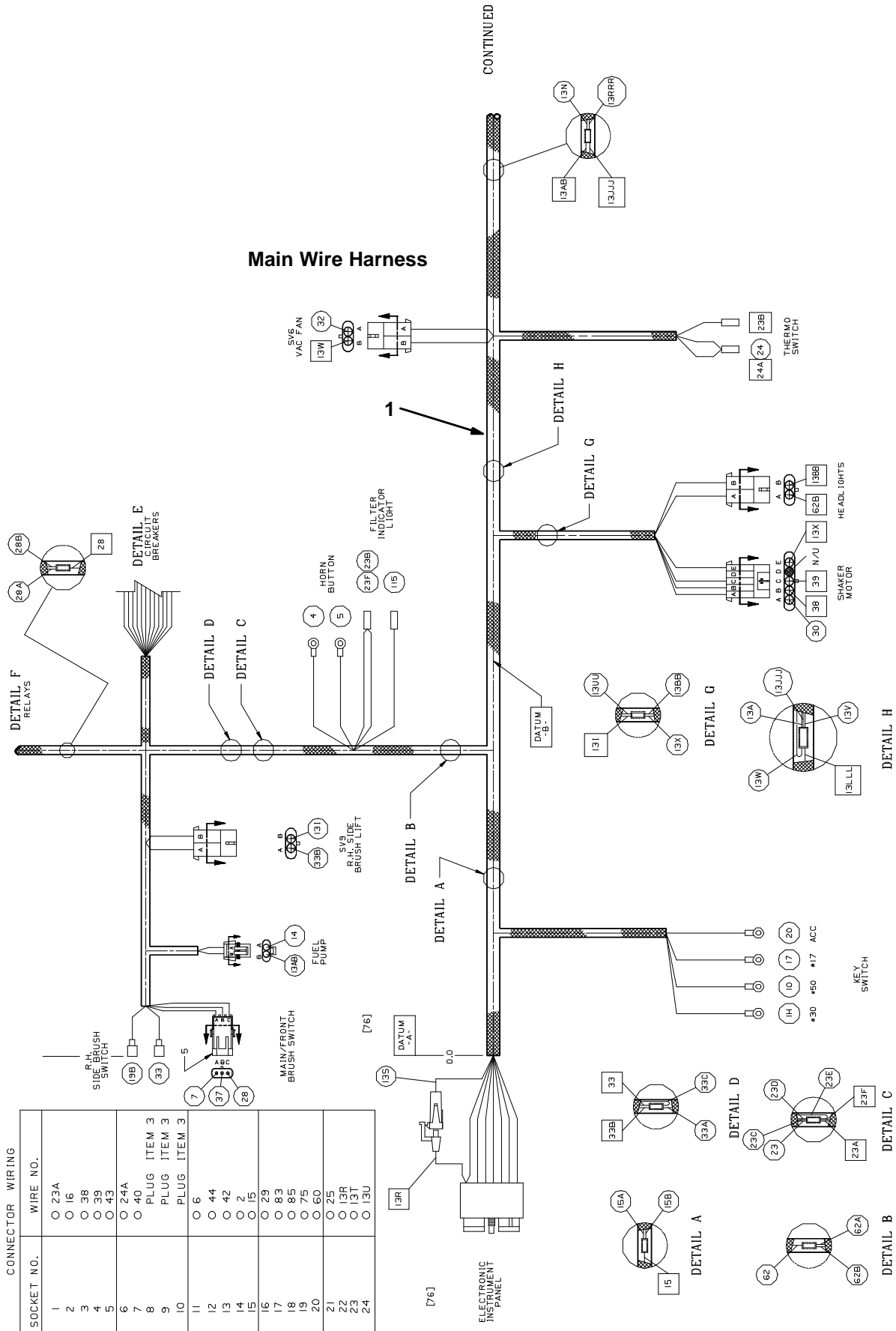


Fig. 98 – Wire Harness Group, Gas/LPG, Main (004275–004936)

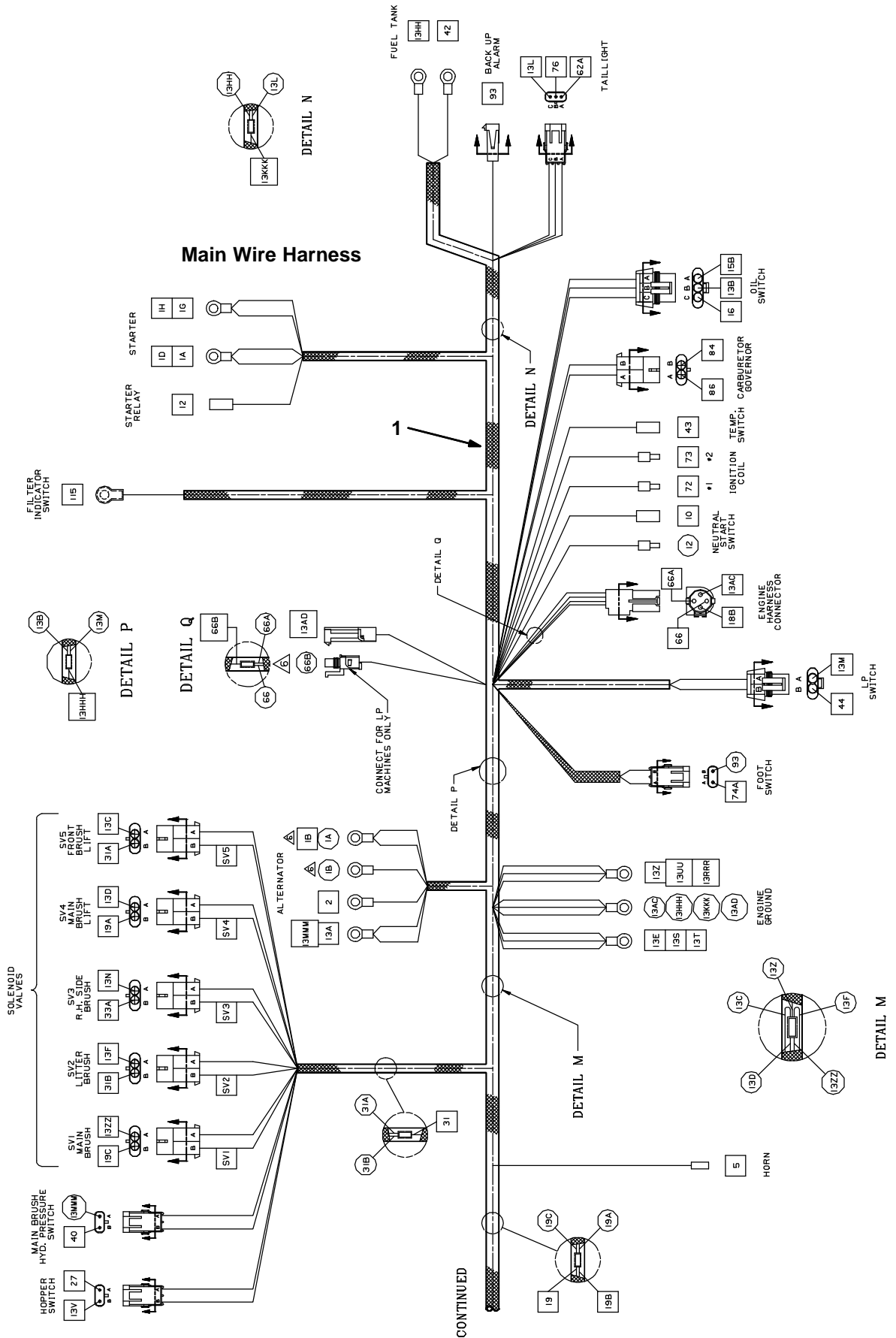


Fig. 98 – Wire Harnesses Group, Gas/LPG, Main (004275–004936)

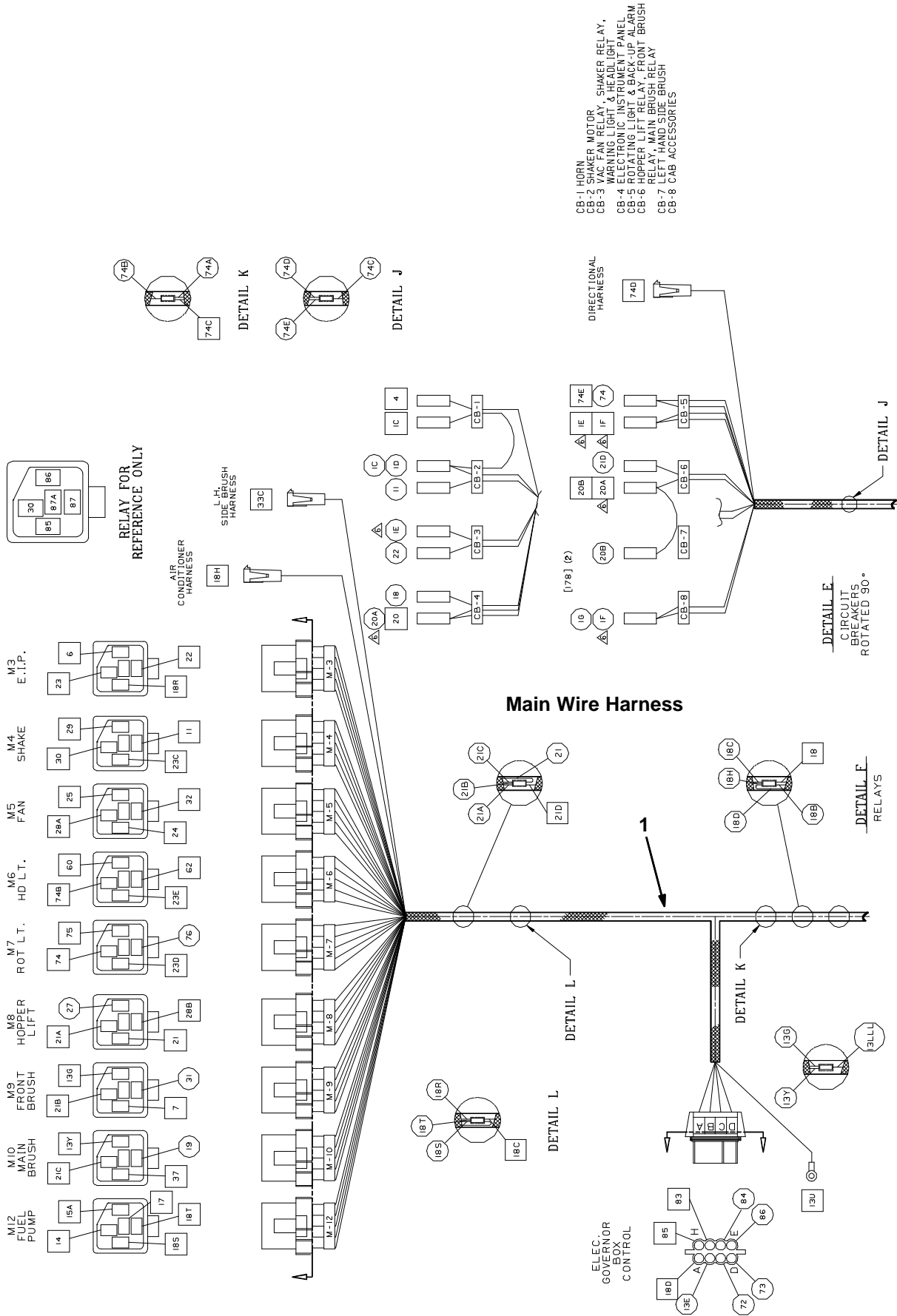


Fig. 98 – Wire Harnesses Group, Gas/LPG, Main (004275–004936)

Ref.	Part No.	Serial Number	Description	Qty.
1	398315	(004275–004936)	Harness, Main, Gas/LPG, Lrg	1

Fig. 99 – Wire Harness Group, Gas/LPG, Main (004937-)

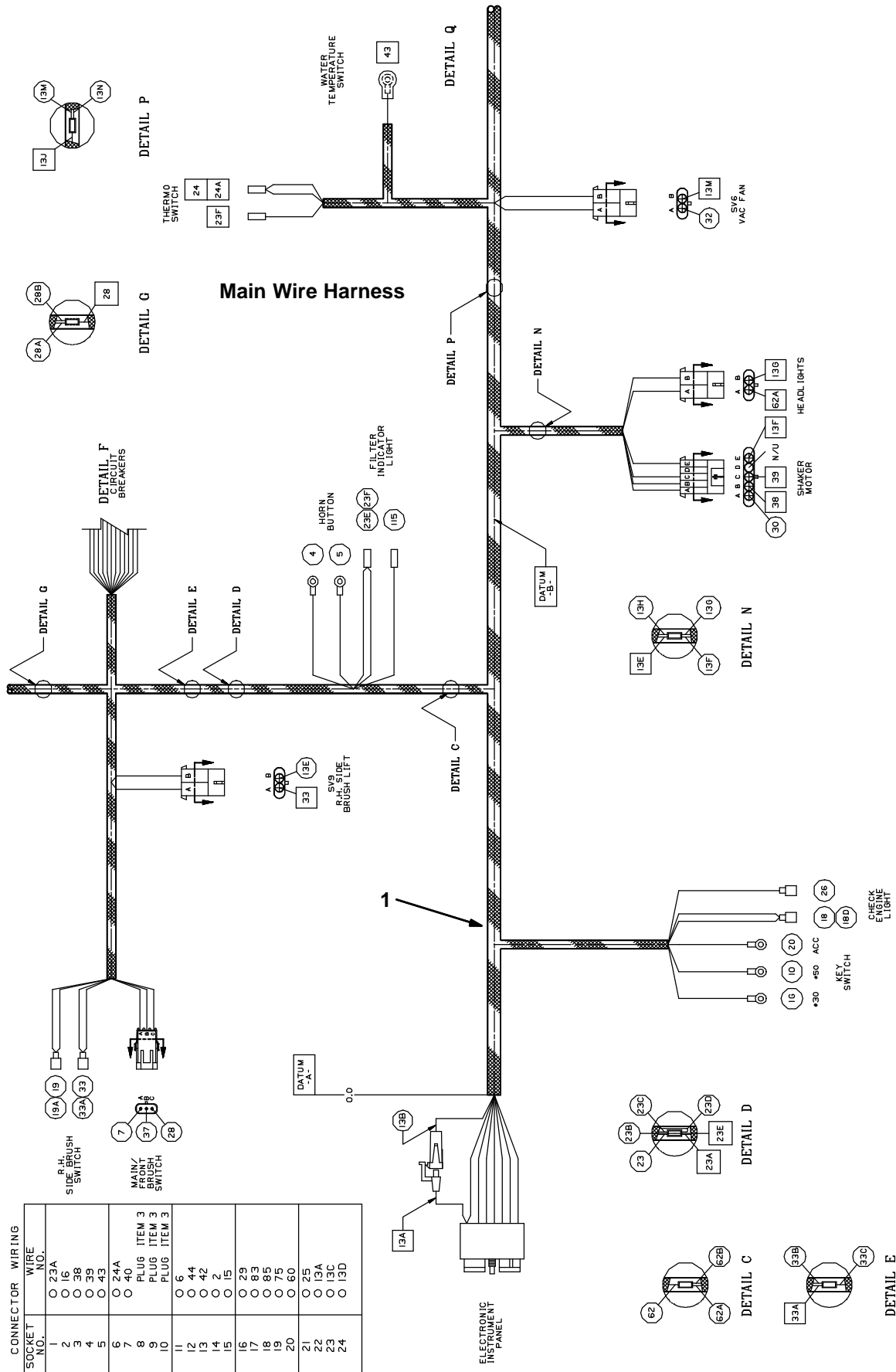


Fig. 99 - Wire Harnesses Group, Gas/LPG, Main (004937-)

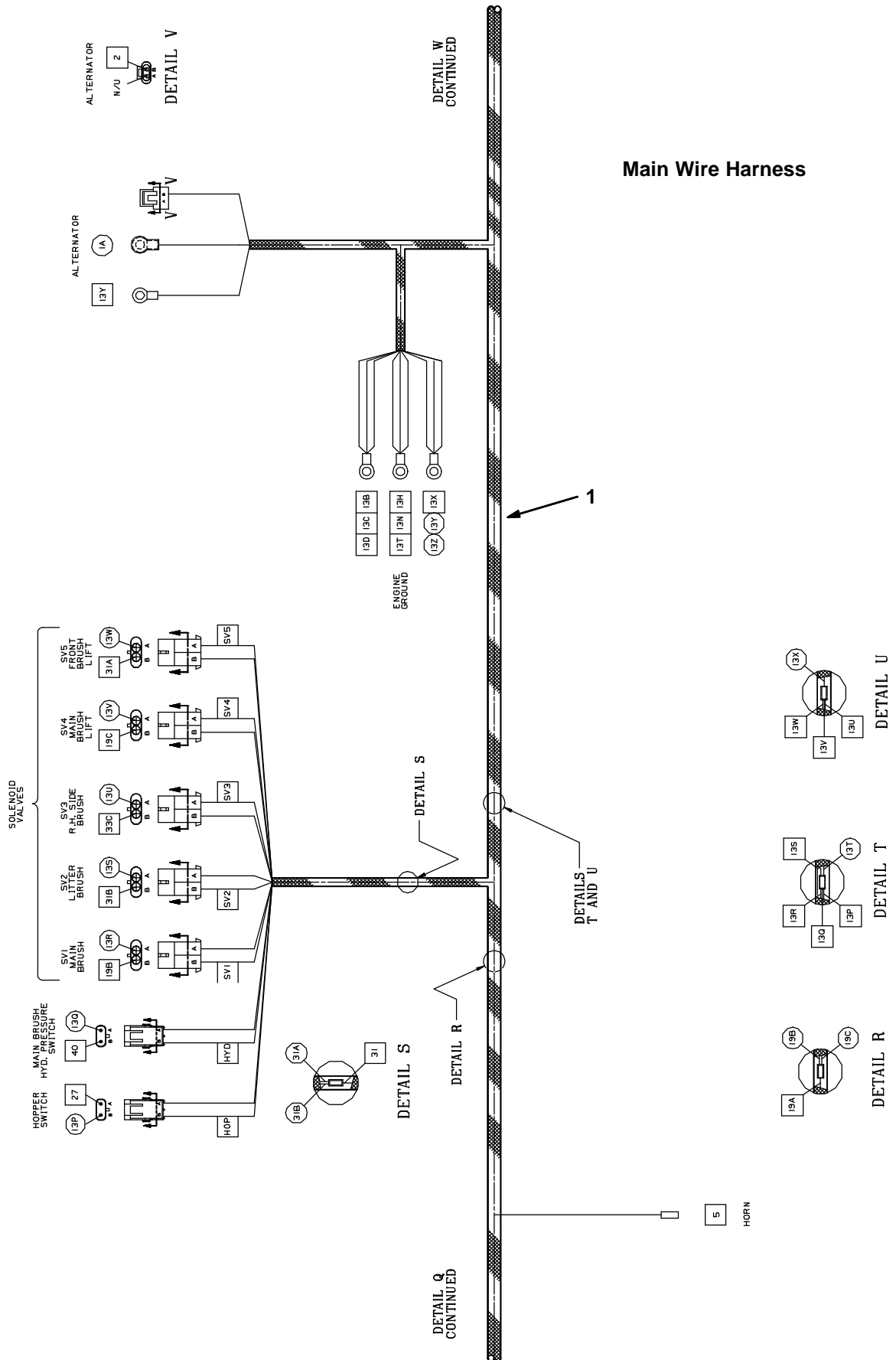


Fig. 99 – Wire Harnesses Group, Gas/LPG, Main (004937-)

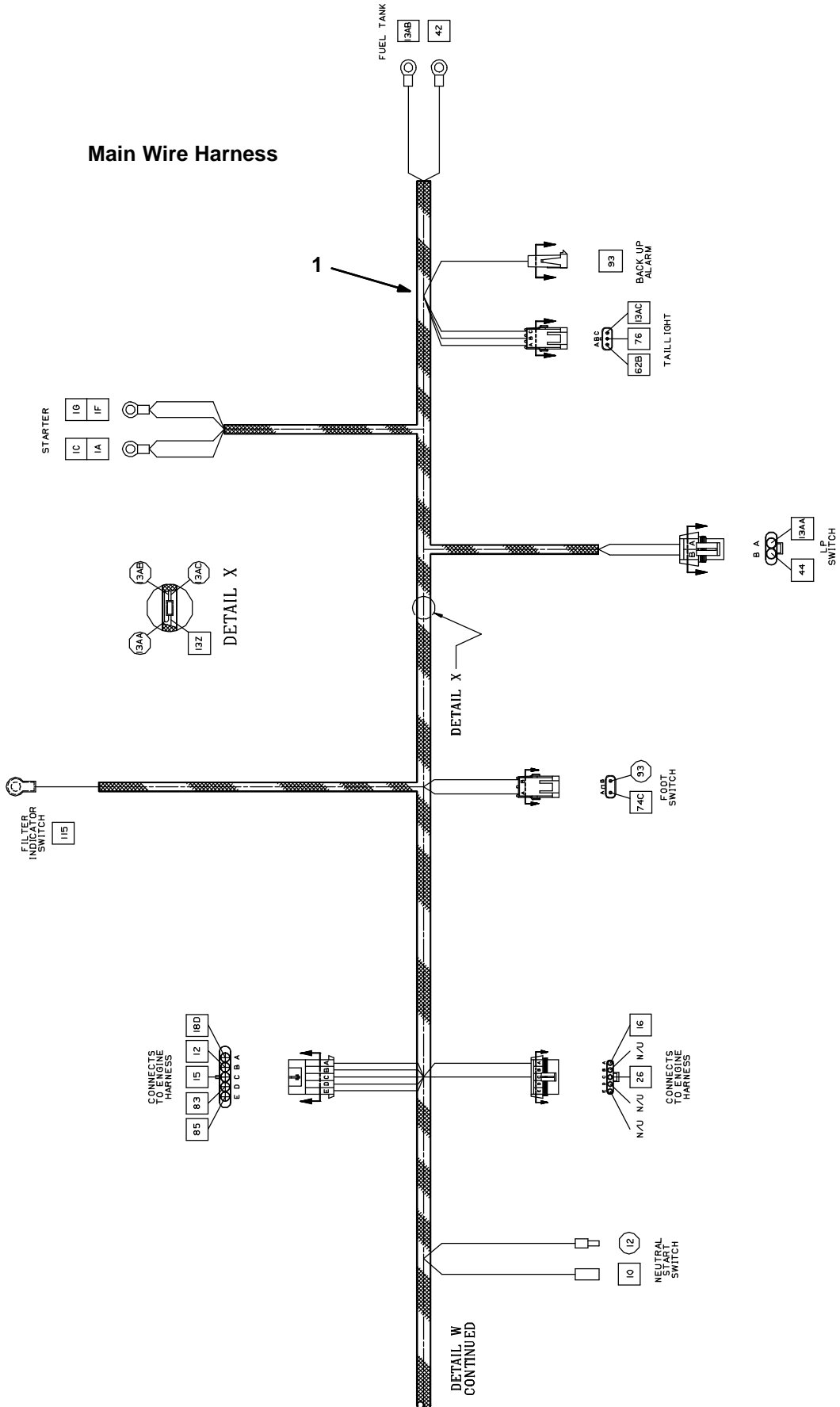
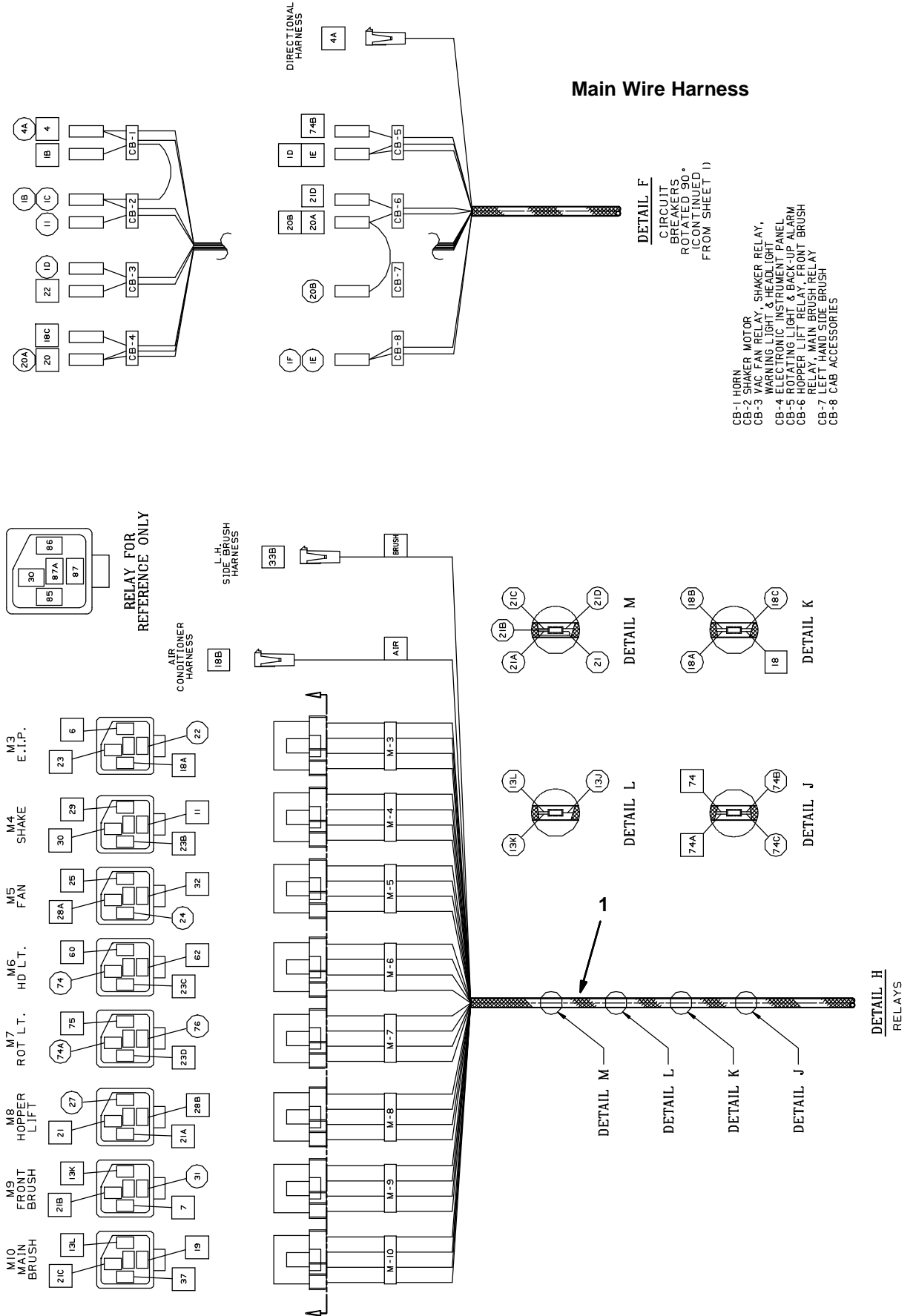


Fig. 99 – Wire Harnesses Group, Gas/LPG, Main (004937-)



STANDARD PARTS

353876 – GM, G, LP

Fig. 99 – Wire Harnesses Group, Gas/LPG Main (004937–)

Ref.	Part No.	Serial Number	Description	Qty.
1	392564	(004937–)	Harness, Main, Gas/LPG, Lrg	1
	371921	(004937–005999)	Harness, Gm 3.0 L Engine Harness	1

Fig. 100 – Wire Harnesses Group, Gas/LPG Engine (006000–006999)

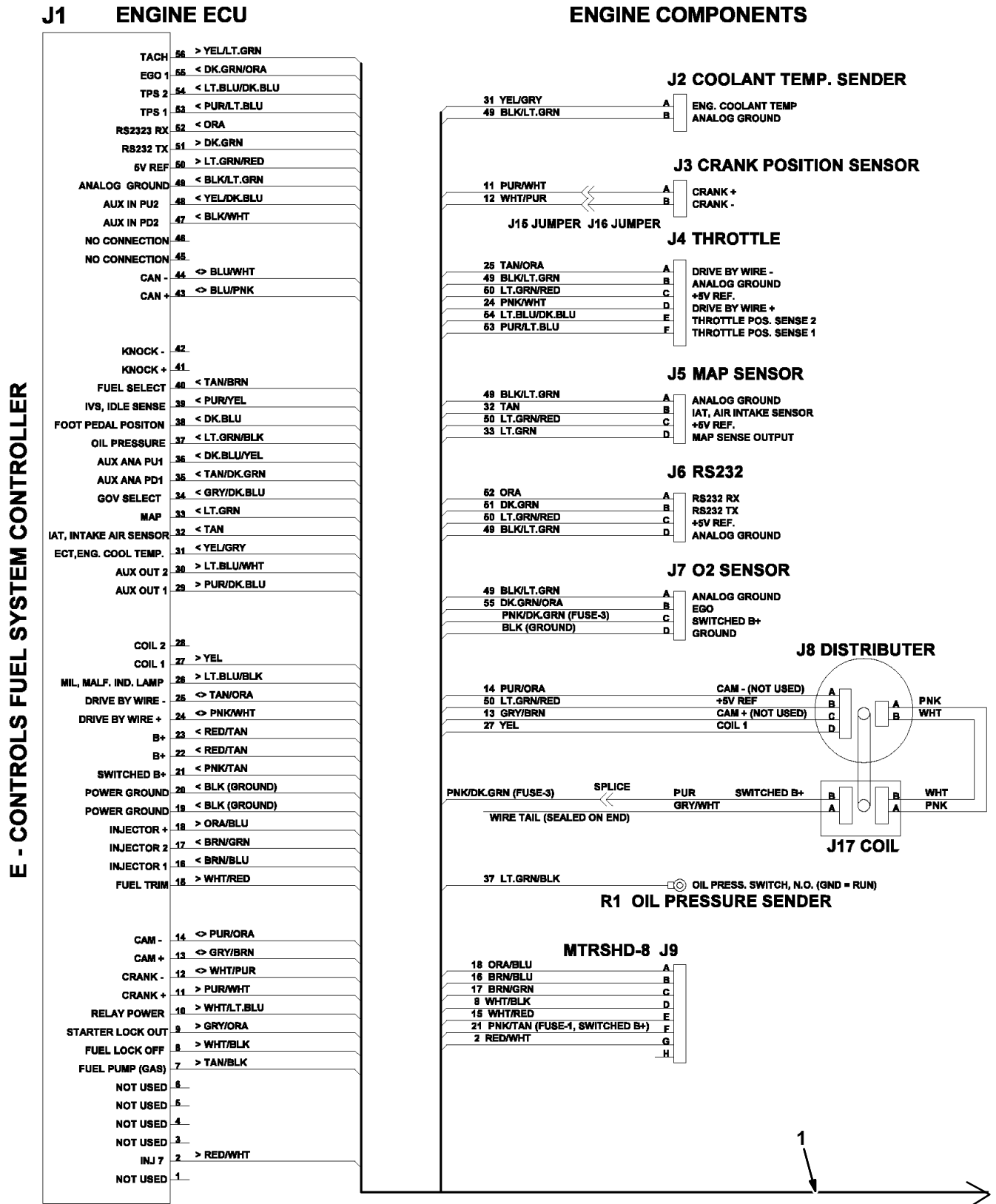


Fig. 100 – Wire Harnesses Group, Gas/LPG Engine (006000–006999)

CONNECTIONS TO MACHINE

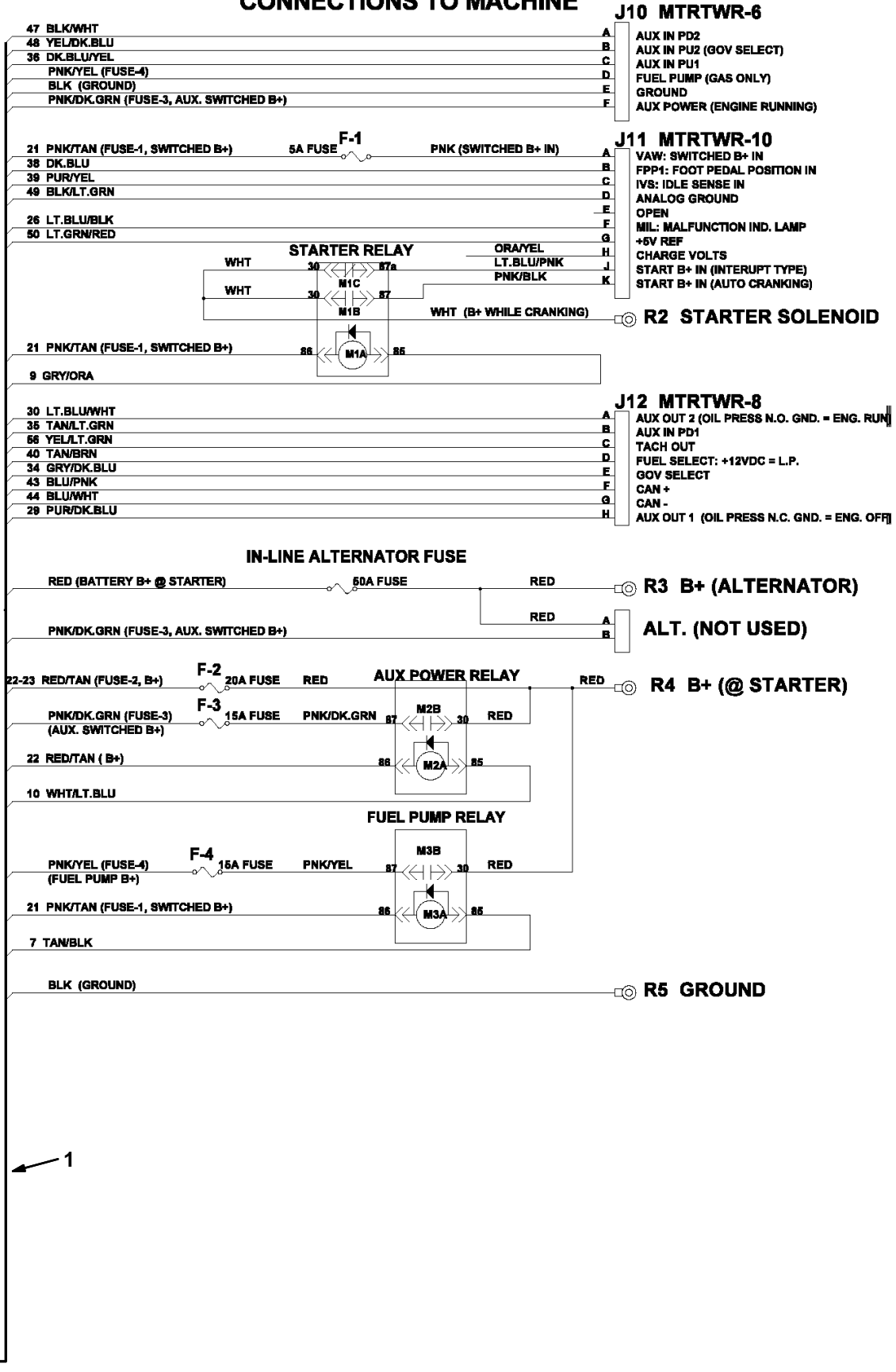
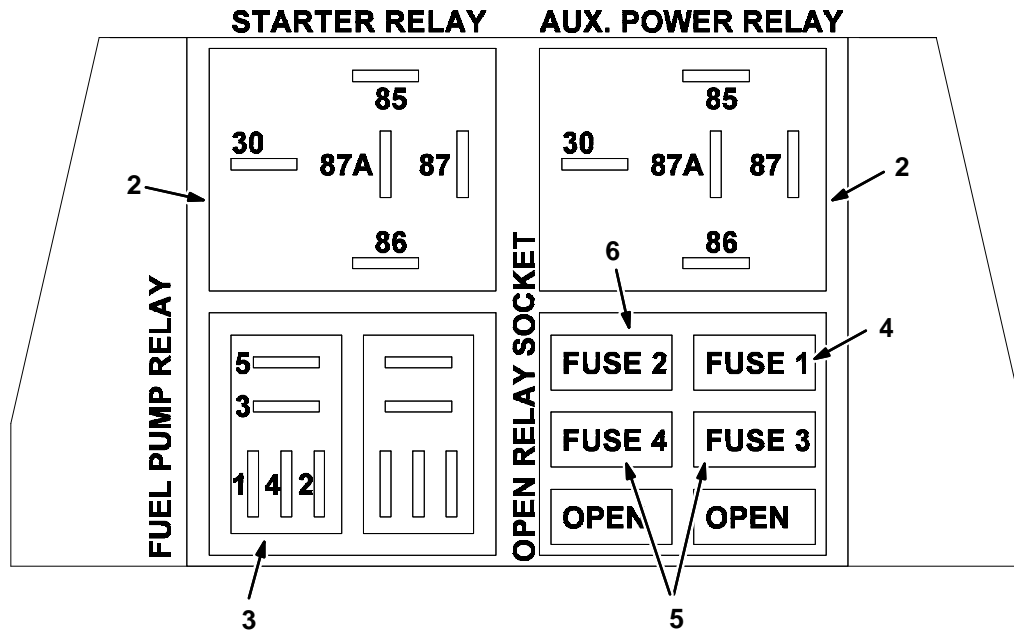


Fig. 100 – Wire Harnesses Group, Gas/LPG Engine (006000–006999)



GM, G, LP

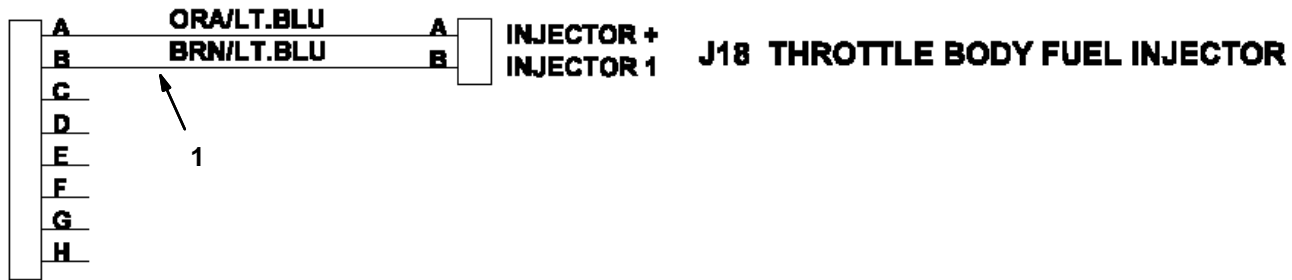
Ref.	Part No.	Serial Number	Description	Qty.
▽	1	1011011	(006000–006999) Harness, Eng [3.0l, Gm, E–cntrl]	1
▲	2	57804	(006000–006999) Relay, 12vdc, 40a, Spdt	2
▲	3	394916	(006000–006999) Relay, 12vdc, 20a, Spdt	1
▲	4	372235	(006000–006999) Fuse, 5 Amp, [Min–5]	1
▲	5	372236	(006000–006999) Fuse, 15 Amp, [Min–15]	2
▲	6	372237	(006000–006999) Fuse, 20 Amp, [Min–20]	1

STANDARD PARTS

Fig. 101 – Wire Harnesses Group, Gas/LPG Injectors (006000–006999)

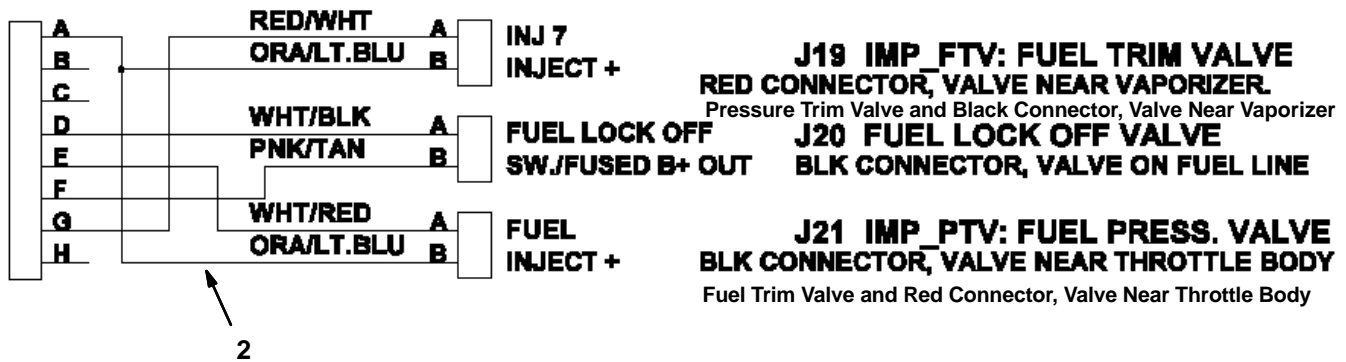
GAS INJECTOR AUX. HARNESS

J14 NTRSHD-8



L.P. DUAL SOL. AUX. HARNESS

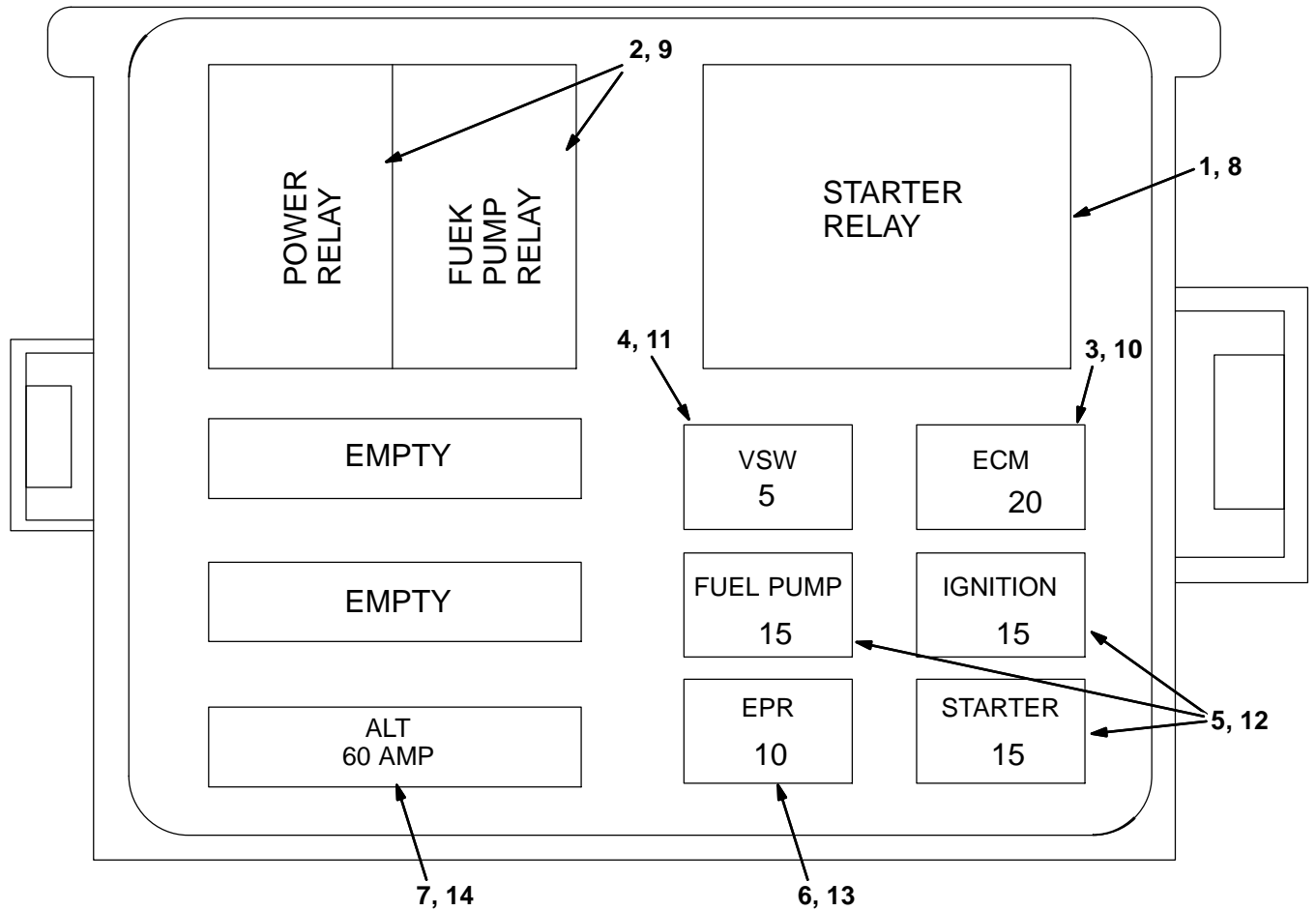
J14 NTRSHD-8



GM, G, LP

Ref.	Part No.	Serial Number	Description	Qty.
1	1011017	(006000–006999)	Harness, Injector, Gas[3.0l Gm,E–Cntrl]	1
2	1011015	(006000–006999)	Harness, Lpg Injector [3.0l, Gm,E–Cont]	1

Fig. 102 – Wire Harnesses Group, Gas/LPG Engine (007000–007486)

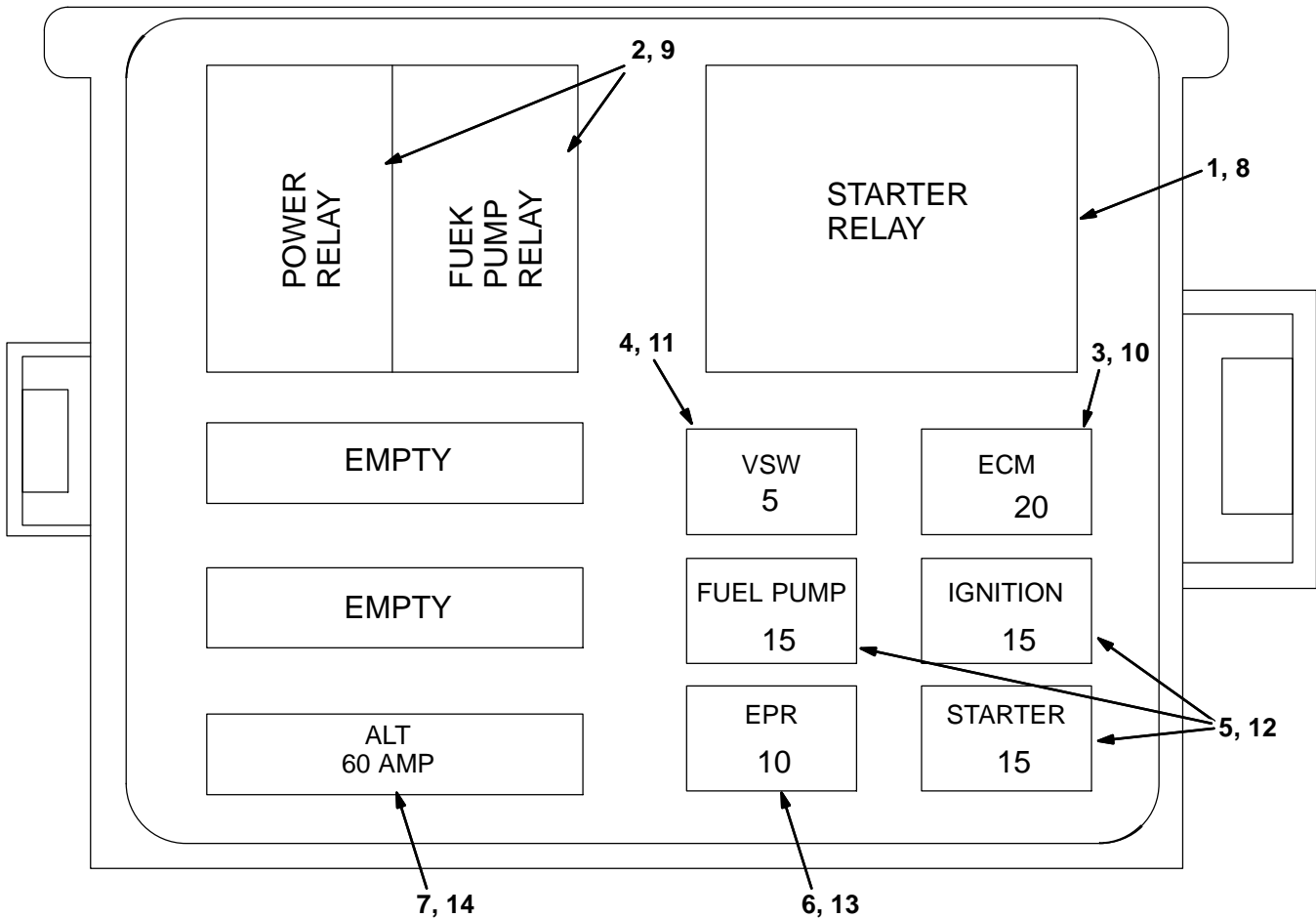


GM, G, LP

Ref.	Part No.	Serial Number	Description	Qty.
▽	385010	(007000–007486)	Harness, Eng, Gas [3.0l 2007]	1
▲	1 394916	(007000–007486)	Relay, 12vdc, 20a, Spdt	1
▲	2 57804	(007000–007486)	Relay, 12vdc, 40a, Spdt	2
▲	3 372237	(007000–007486)	Fuse, 20 Amp, [Min–20]	1
▲	4 372235	(007000–007486)	Fuse, 5 Amp, [Min–5]	1
▲	5 372236	(007000–007486)	Fuse, 15 Amp, [Min–15]	2
▲	6 384999	(007000–007486)	Fuse, 10 Amp	1
▲	7 384998	(007000–007486)	Fuse, 60 Amp	1
▽	385018	(007000–007486)	Harness, Eng, Lpg [3.0l 2007]	1
▲	8 394916	(007000–007486)	Relay, 12vdc, 20a, Spdt	1
▲	9 57804	(007000–007486)	Relay, 12vdc, 40a, Spdt	2
▲	10 372237	(007000–007486)	Fuse, 20 Amp, [Min–20]	1
▲	11 372235	(007000–007486)	Fuse, 5 Amp, [Min–5]	1
▲	12 372236	(007000–007486)	Fuse, 15 Amp, [Min–15]	2
▲	13 384999	(007000–007486)	Fuse, 10 Amp	1
▲	14 384998	(007000–007486)	Fuse, 60 Amp	1

STANDARD PARTS

Fig. 103 – Wire Harnesses Group, Gas/LPG Engine (007487–)



GM, G, LP

Ref.	Part No.	Serial Number	Description	Qty.
▽	1063654	(007487–)	Harness, Wire, Eng, Gas [Gm 3.0l 10]	1
▲	1 394916	(007487–)	Relay, 12vdc, 20a, Spdt	1
▲	2 57804	(007487–)	Relay, 12vdc, 40a, Spdt	2
▲	3 372237	(007487–)	Fuse, 20 Amp, [Min–20]	1
▲	4 372235	(007487–)	Fuse, 5 Amp, [Min–5]	1
▲	5 372236	(007487–)	Fuse, 15 Amp, [Min–15]	2
▲	6 384999	(007487–)	Fuse, 10 Amp	1
▲	7 384998	(007487–)	Fuse, 60 Amp	1
▽	1063653	(007487–)	Harness, Wire, Eng, Lpg [Gm 3.0l 10]	1
▲	8 394916	(007487–)	Relay, 12vdc, 20a, Spdt	1
▲	9 57804	(007487–)	Relay, 12vdc, 40a, Spdt	2
▲	10 372237	(007487–)	Fuse, 20 Amp, [Min–20]	1
▲	11 372235	(007487–)	Fuse, 5 Amp, [Min–5]	1
▲	12 372236	(007487–)	Fuse, 15 Amp, [Min–15]	2
▲	13 384999	(007487–)	Fuse, 10 Amp	1
▲	14 384998	(007487–)	Fuse, 60 Amp	1

Fig. 104 – Wire Harness Schematic, Gas Engine (007000-)

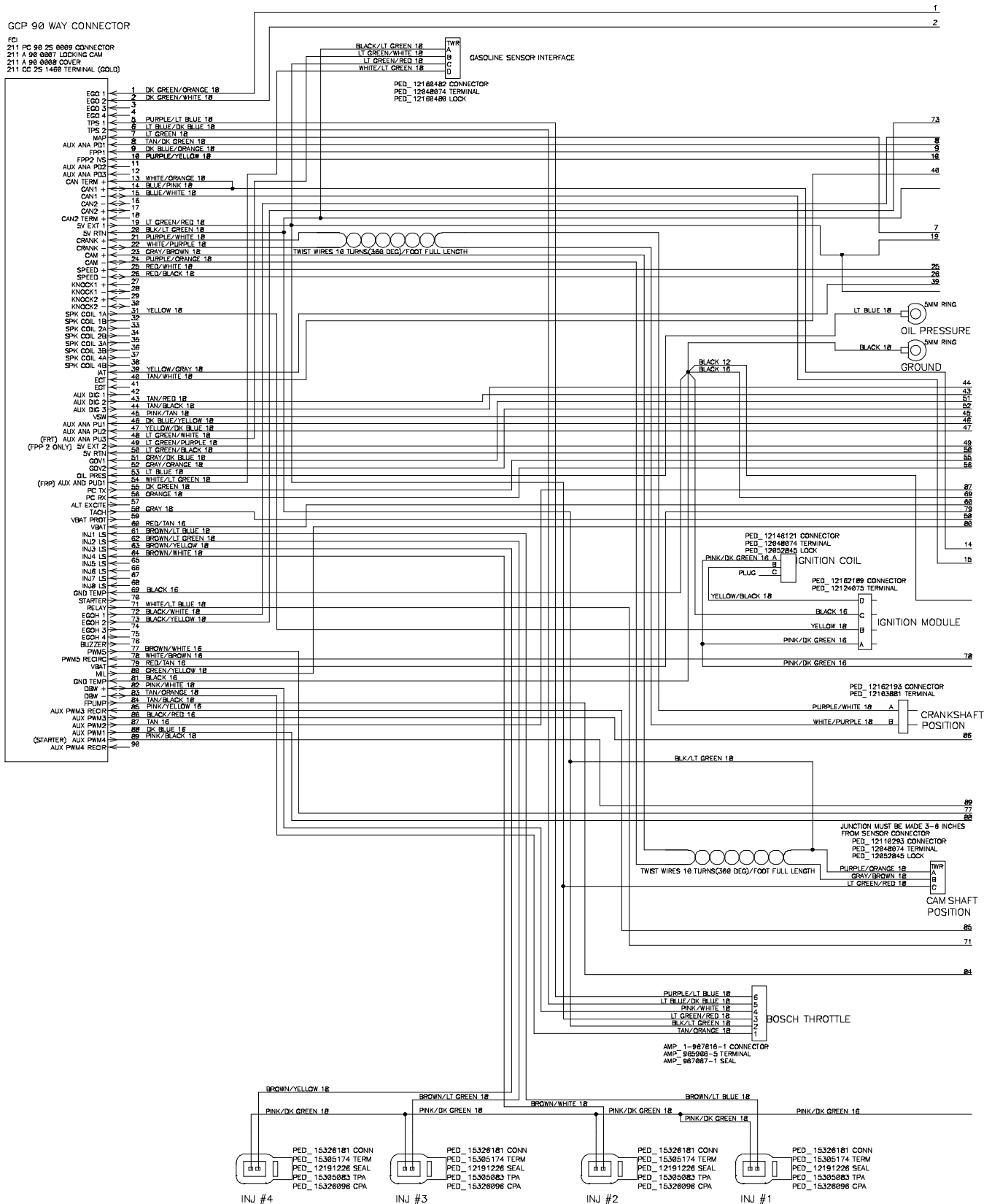


Fig. 104 – Wire Harness Schematic, Gas Engine (007000-)

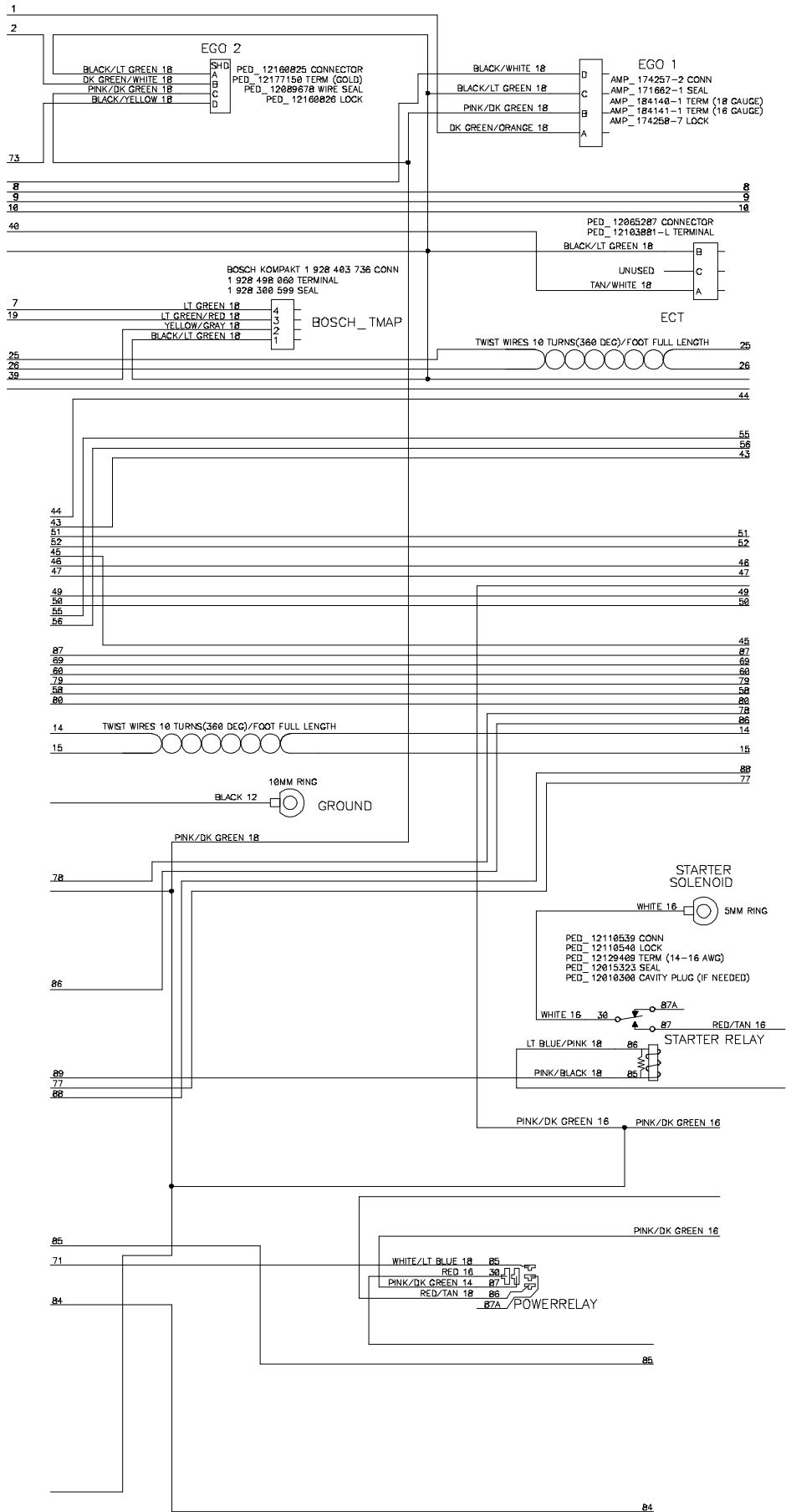


Fig. 104 – Wire Harness Schematic, Gas Engine (007000-)

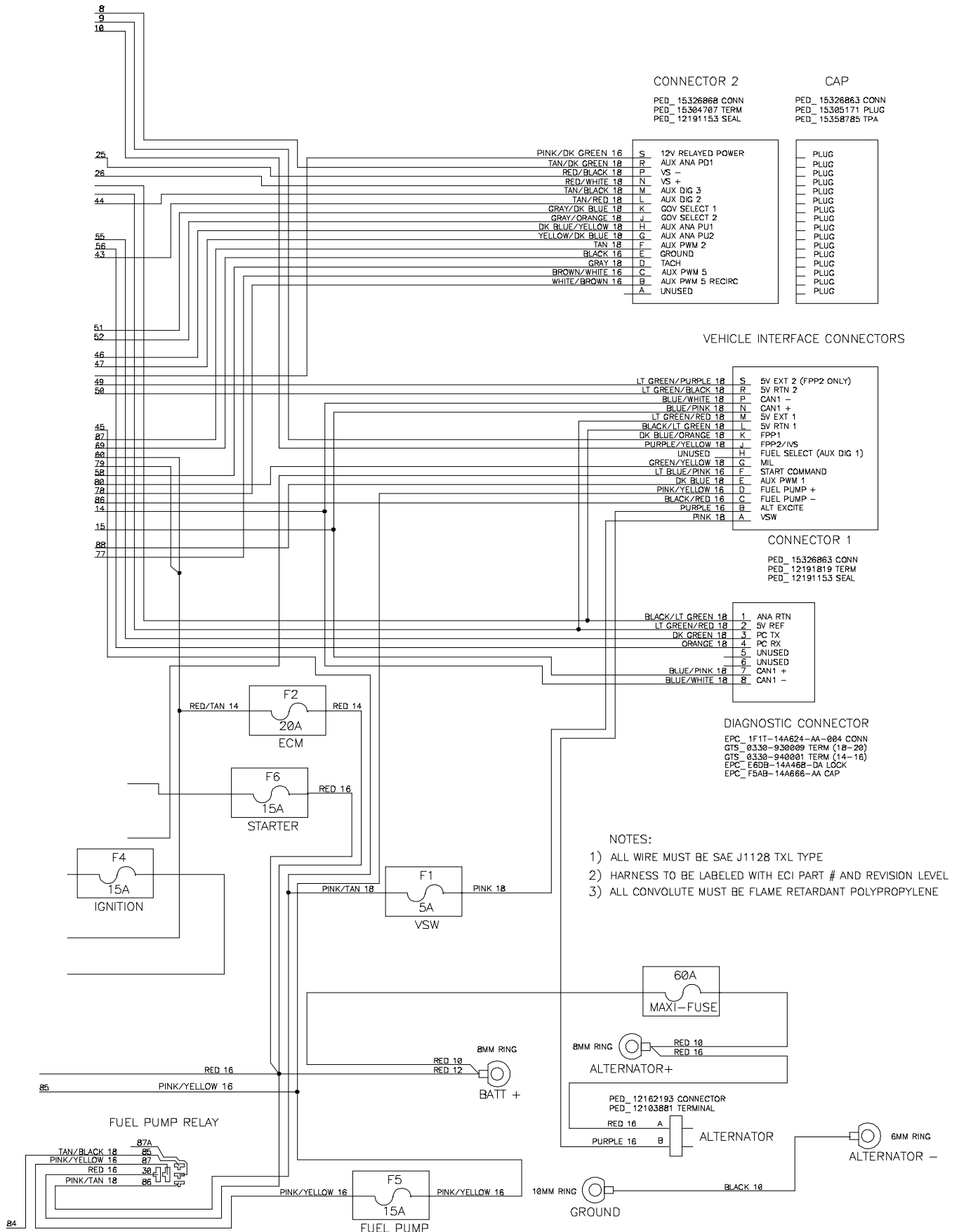


Fig. 105 – Wire Harness Schematic, LPG Engine (007000-)

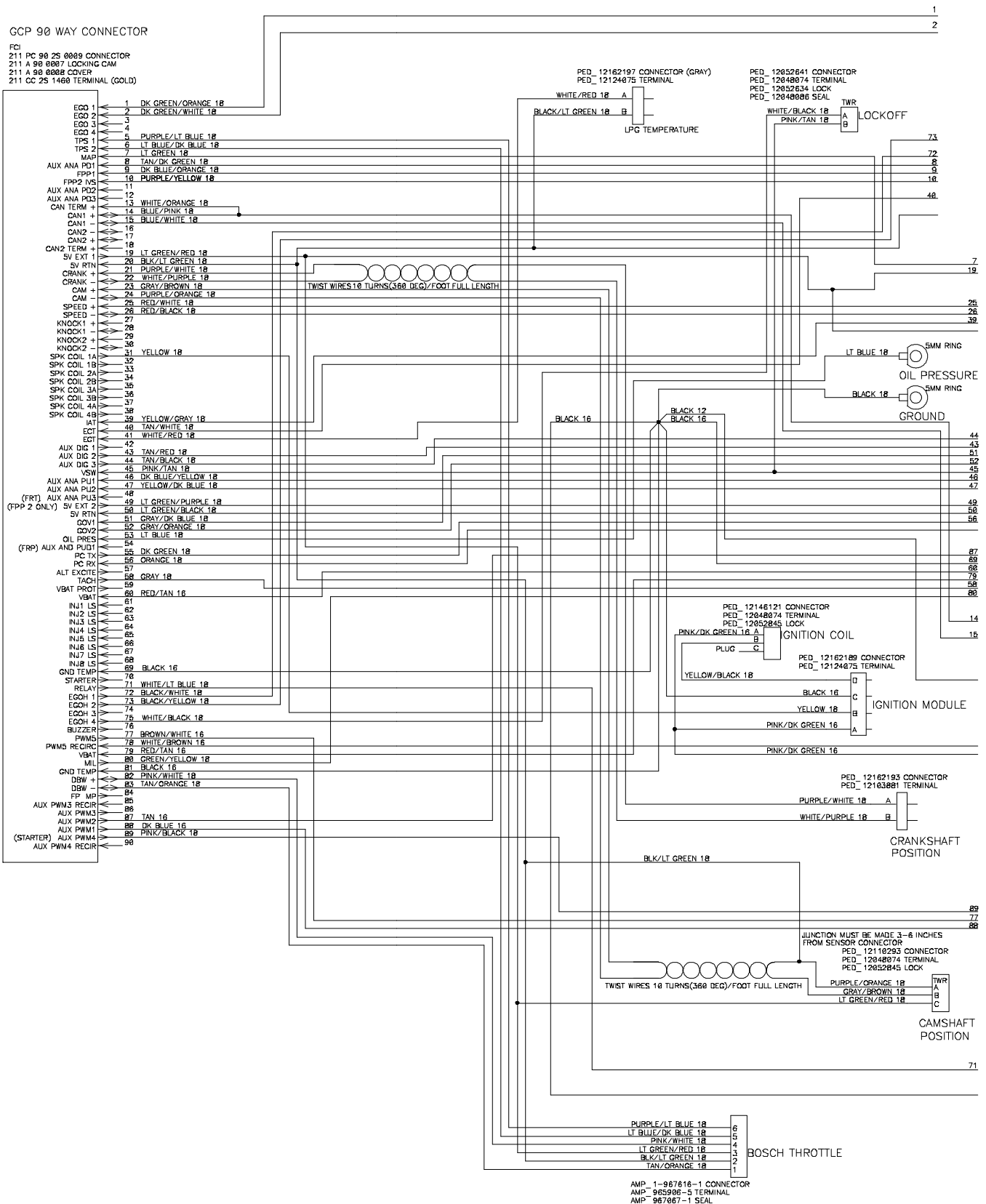
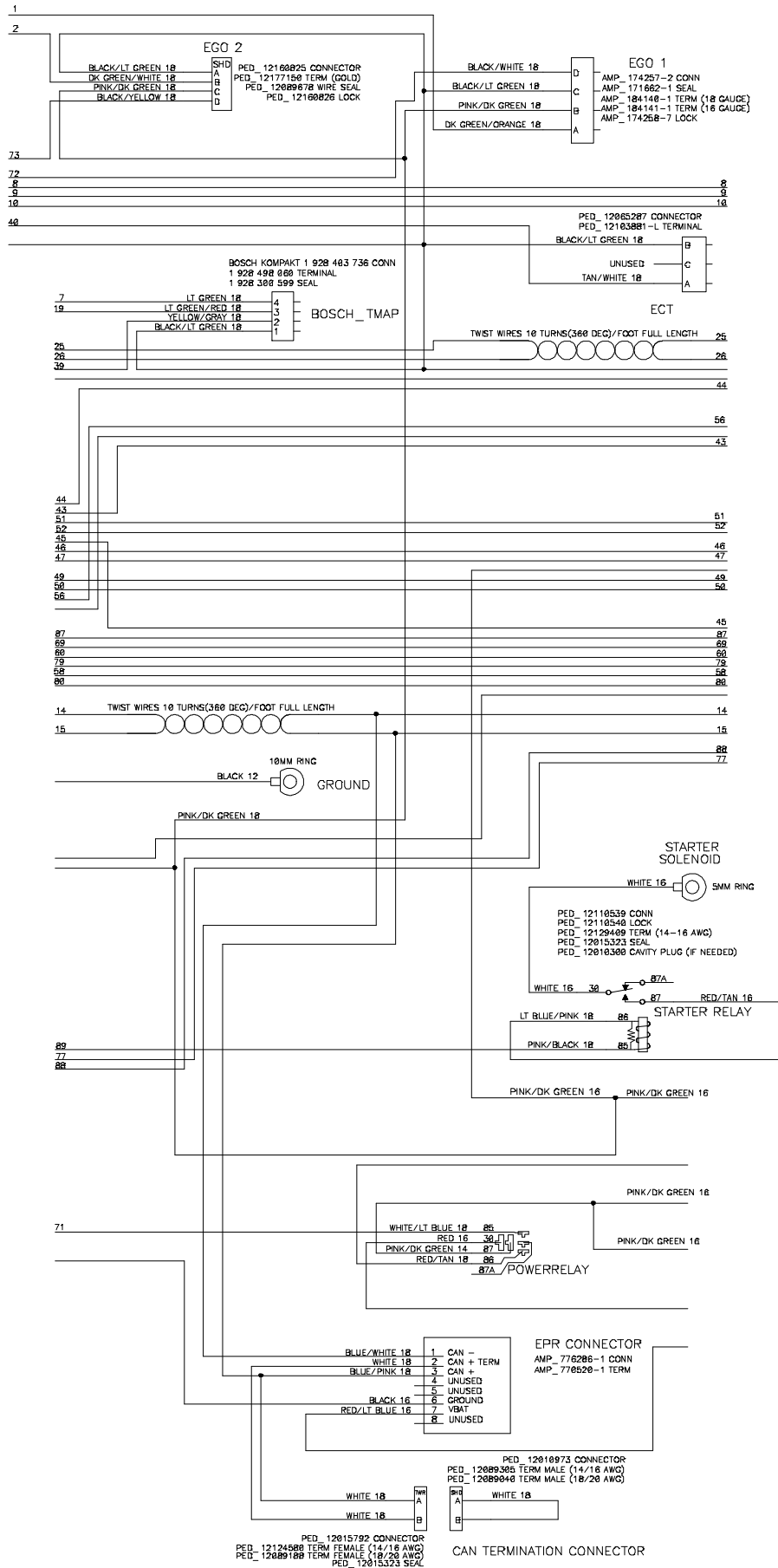
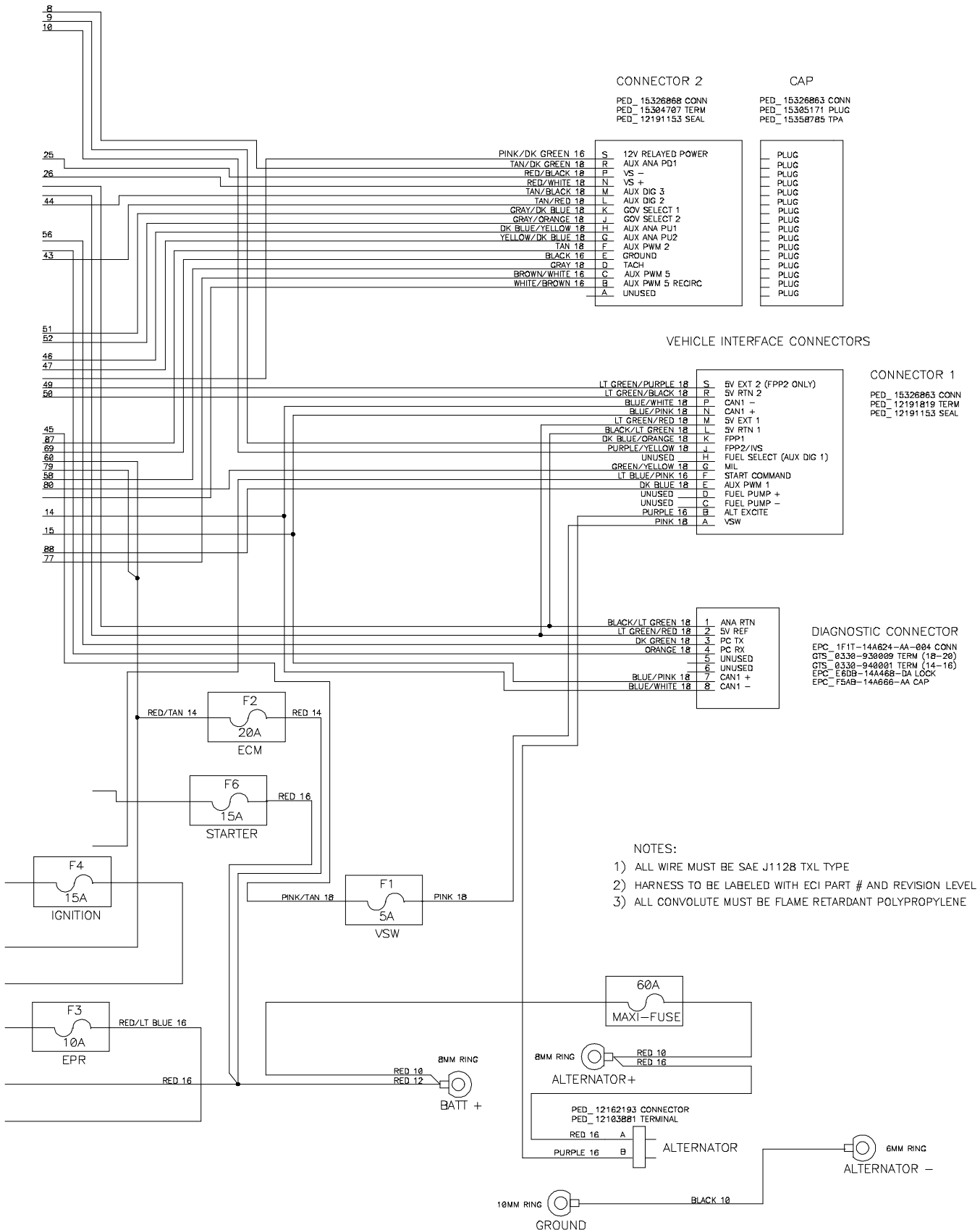


Fig. 105 – Wire Harness Schematic, LPG Engine (007000-)



STANDARD PARTS

Fig. 105 – Wire Harness Schematic, LPG Engine (007000-)



STANDARD PARTS

Fig. 106 – Wire Harnesses Group, Gas/LPG Adaptor (006000–006999)

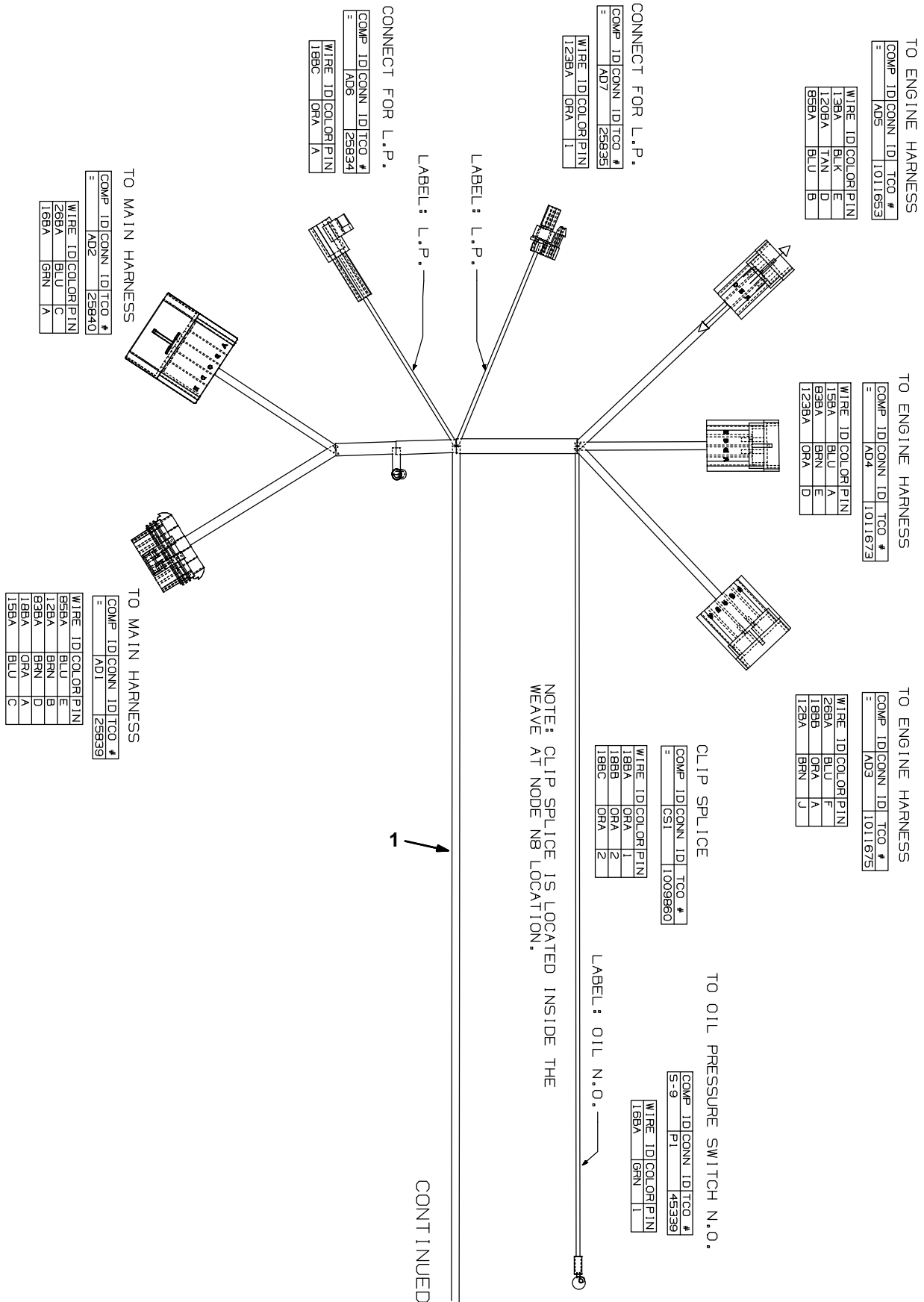
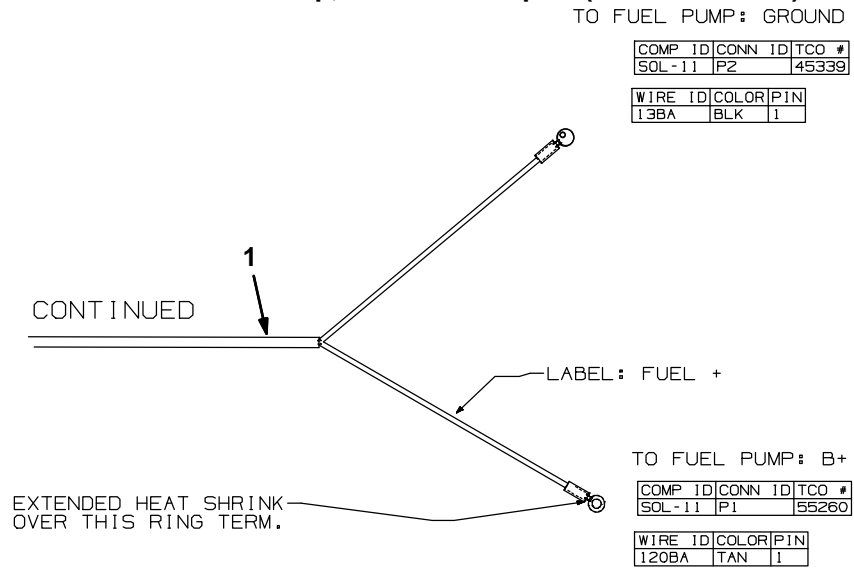


Fig. 106 – Wire Harnesses Group, Gas/LPG Adaptor (006000–006999)



GM, G, LP

Ref.	Part No.	Serial Number	Description	Qty.
1	1012033	(006000–006999)	Harness, Adaptor [800/8410]	1

STANDARD PARTS

Fig. 107 – Wire Harnesses Group, Gas/LPG Adaptor (007000–)

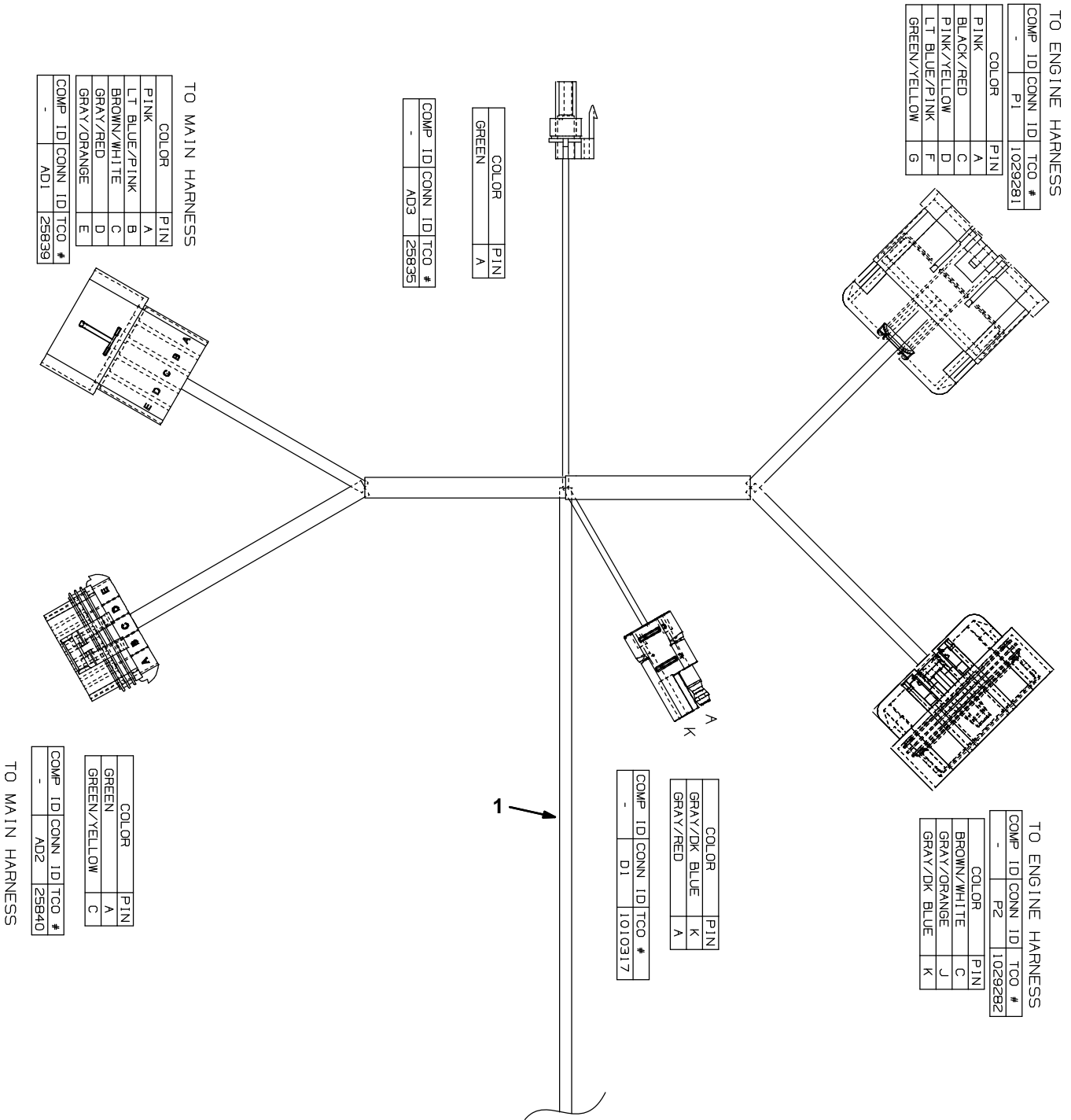
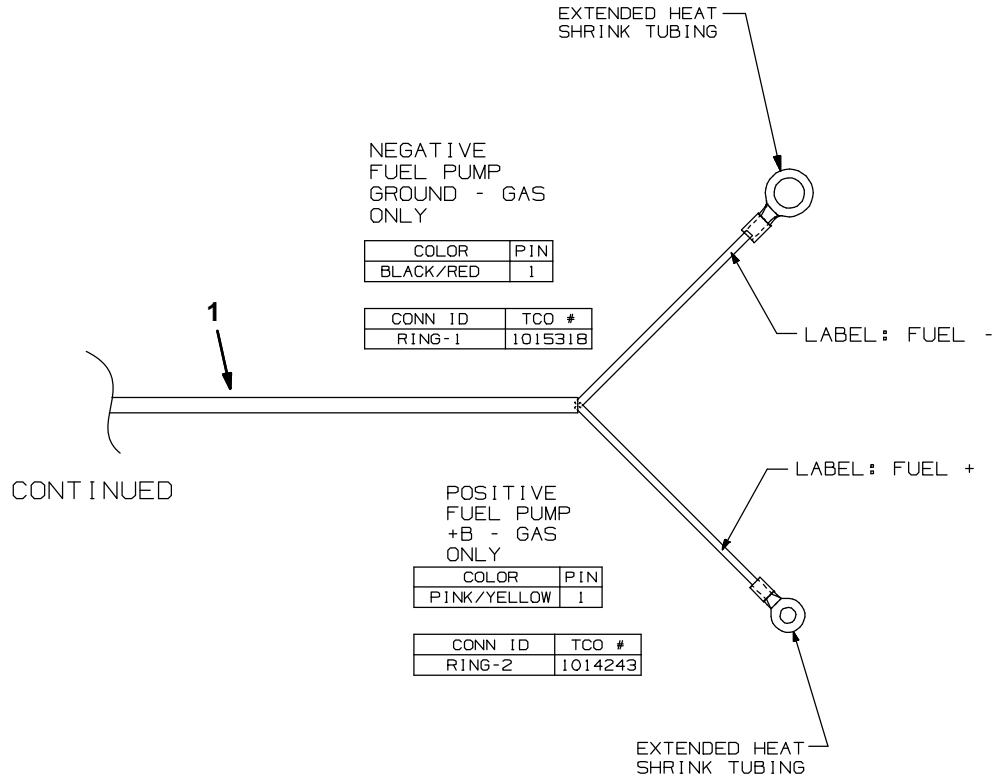


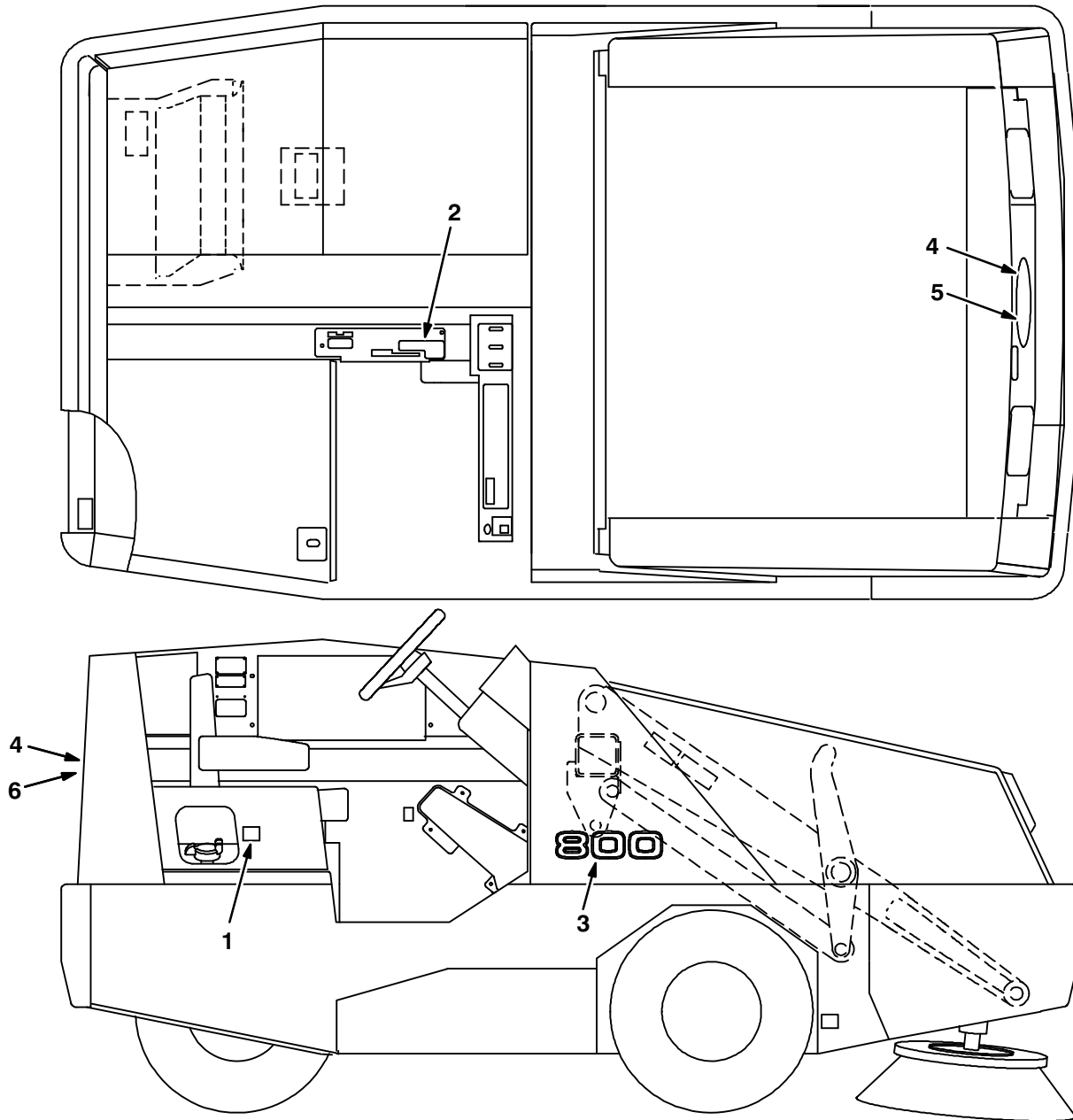
Fig. 107 – Wire Harnesses Group, Gas/LPG Adaptor (007000–)



GM, G, LP

Ref.	Part No.	Serial Number	Description	Qty.
1	1032214	(007000–)	Harness, Adapter, Eng, Gas/Lpg [Gm3.0]	1

Fig. 108 – Label Group



08774 – 800, NA

Ref.	Part No.	Serial Number	Description	Qty.
1	59767	(004000–)	Label Set, Info & Hazard	1
2	70705	(004000–)	Label Set, Operational 800	1
3	70536	(004000–008088)	Label, Numerals 800	2
3	1074549	(008089–)	Label, Model [800 Gray]	2
4	09806	(004000–008088)	Label, Logo, 10.4I,Oval[Tennant,Blu/Grn]	2
5	1214251	(008089–)	Nameplate, Tennant, Domed, 10 Inch	1
6	86877	(008089–)	Label, Logo, 10.4L Sht/Clr [Tennant]	1

SECTION 3

Contents	Page	Contents	Page
Fig. 1 – Light Kit, Flashing, Overhead Guard (004000–008088)	3–2	Fig. 36 – Cab AC and Heater Box Group, GM (004937–008088)	3–68
Fig. 2 – Light Kit, Flashing, Overhead Guard (008089–)	3–4	Fig. 37 – Cab AC and Heater Box Group, GM (008089–)	3–70
Fig. 3 – Light Kit, Flashing, Cab (004000–008088)	3–6	Fig. 38 – Cab AC and Heater Hose Group, GM	3–72
Fig. 4 – Light Kit, Flashing, Cab (008089–)	3–8	Fig. 39 – Cab AC Compressor Group, GM (004937–006999)	3–74
Fig. 5 – Light Kit, Strobe, Overhead Guard (004000–008088)	3–10	Fig. 40 – Cab AC Compressor Group, GM (007000–)	3–78
Fig. 6 – Light Kit, Strobe, Overhead Guard (008089–)	3–12	Fig. 41 – Cab Heater Box Group, Ford	3–80
Fig. 7 – Light Kit, Strobe, Cab (004000–008088)	3–14	Fig. 42 – Cab Heater Hose Group, Ford	3–82
Fig. 8 – Light Kit, Strobe, Cab (008089–)	3–16	Fig. 43 – Cab Heater Box Group, GM (004937 – 008088)	3–84
Fig. 9 – Light Kit, Flashing, Low (004000–008088)	3–18	Fig. 44 – Cab Heater Box Group, GM (008089 –)	3–86
Fig. 10 – Light Kit, Flashing, Low (008089–)	3–20	Fig. 45 – Cab Heater Hose Group, GM	3–88
Fig. 11 – Light Kit, Strobe, Low (004000–008088)	3–22	Fig. 46 – Alternator Group, SE, Ford	3–90
Fig. 12 – Light Kit, Strobe, Low (008089–)	3–24	Fig. 47 – Heavy Duty Alternator Kit, GM (004937–006999)	3–92
Fig. 13 – Back-Up Alarm Kit (004000–008088)	3–26	Fig. 48 – Heavy Duty Alternator Kit, GM (007000–)	3–94
Fig. 14 – Back-Up Alarm Kit (008089–)	3–28	Fig. 49 – Vacuum Wand Kit (004000–008088)	3–96
Fig. 15 – Turn Signal Kit	3–30	Fig. 50 – Vacuum Wand Kit (008089–)	3–98
Fig. 16 – Overhead Guard Kit (004000–008088)	3–32	Fig. 51 – Side Brush Dust Control Kit (004000–008088)	3–100
Fig. 17 – Overhead Guard Kit (008089–)	3–34	Fig. 52 – Side Brush Dust Control Kit (008089–)	3–102
Fig. 18 – Hopper Floor Kit (004000–008088) ..	3–36	Fig. 53 – Protectoseal Fuel Tank Cap Group	3–104
Fig. 19 – Hopper Floor Kit (008089–) ...	3–37	Fig. 54 – Fire Extinguisher Kit	3–105
Fig. 20 – Bumper Assembly, SE (004000–008088)	3–38	Fig. 55 – Solid Tire and Rim Assembly	3–106
Fig. 21 – Bumper Assembly, SE (008089–)	3–39	Fig. 56 – Seat Belt Kit	3–107
Fig. 22 – Side Brush Lift Group, L.H.	3–40	Fig. 57 – RFS Filter System Group	3–108
Fig. 23 – Side Brush Group, L.H.	3–44	Fig. 58 – Cab AC Drain Hose Kit	3–110
Fig. 24 – Side Brush Pivot Group, L.H.	3–46	Fig. 59 – Neutral Start Group	3–112
Fig. 25 – Side Brush Wire Harness Group, L.H.	3–48	Fig. 60 – Muffler Group, Non-Catalytic	3–113
Fig. 26 – Side Brush Hydraulic Hose Group, L.H.	3–49	Fig. 61 – Documentation Group	3–114
Fig. 27 – Side Brush Light Kit, (004000–008088)	3–50		
Fig. 28 – Side Brush Light Kit, (008089–)	3–52		
Fig. 29 – Cab Kit	3–54		
Fig. 30 – Cab Mirror Kit (004000–008088)	3–56		
Fig. 31 – Cab Mirror Kit (008089–)	3–58		
Fig. 32 – Cab Seals Group	3–60		
Fig. 33 – Cab AC and Heater Box Group, Ford	3–62		
Fig. 34 – Cab AC and Heater Hose Group, Ford	3–64		
Fig. 35 – Cab AC Compressor Group, Ford ...	3–66		

Fig. 1 – Light Kit, Flashing, Overhead Guard (004000-008088)

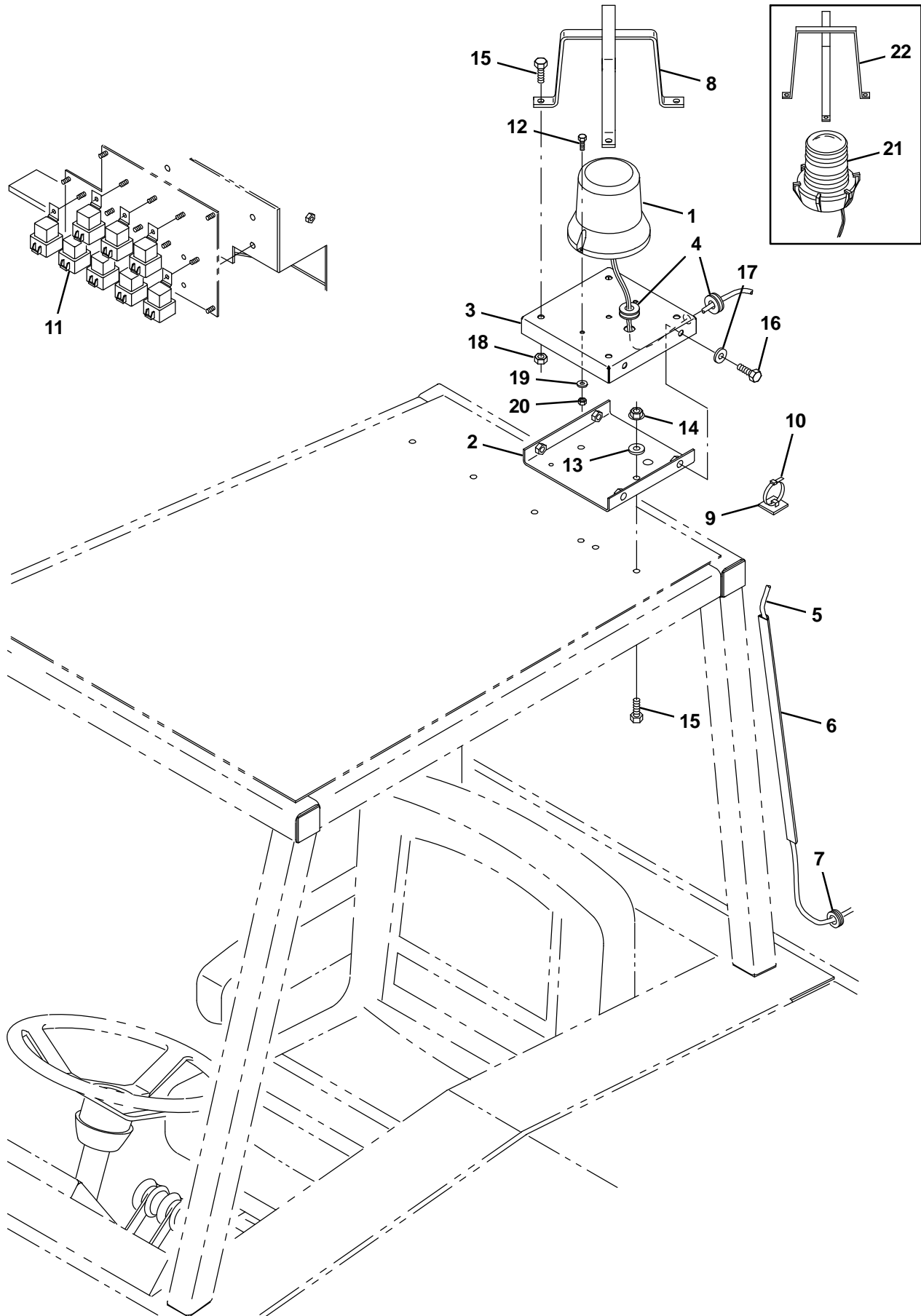


Fig. 1 – Light Kit, Flashing, Overhead Guard (004000–008088)

	Ref.	Part No.	Serial Number	Description	Qty.
▽		73755	(004000–008088)	Light Kit Flsh 800L Ohg	1
▲▽	1	1017248	(007677–008088)	Light, Flsh, Amb, 12–48vdc	1
▲▲		9000879	(007677–008088)	Lens, Amb, F/ Strobe / Flasher	1
▲▲		9000846	(007677–008088)	Lamp, Bulb, Flsh	1
▲	2	73899	(004000–008088)	Bracket	1
▲	3	73898	(004000–008088)	Panel	1
▲	4	10632–20	(004000–008088)	Grommet,Rbr,0.38ld,For .06Matl	2
▲	5	74000	(004000–008088)	Harness, Strobe/Flsh Light,Cab,Ohg	1
▲	6	1064050	(004000–008088)	Duct, Afmkt, Vyl, 0.40 X 0.75 .25d, 04ft	1
▲	7	10632–4	(004000–008088)	Grommet,Rbr,0.63ld,For .06Matl	1
▲	8	1070125	(007677–008088)	Guard Wldt, Light, Strobe/Flsh	1
▲	9	55248	(004000–008088)	Cable Tie Mount	1
▲	10	49266	(004000–008088)	Tie, Cable	1
▲	11	56186	(004000–008088)	Relay, Shrouded, 12V	1
▲	12	09244	(007677–008088)	Screw, Hex, M5 X 0.80 X 16, 8.8	2
▲	13	32490	(004000–008088)	Washer, Flat, 0.25, Std	2
▲	14	07791	(004000–008088)	Nut, Hex, Flng, M8 X 1.25	2
▲	15	16931	(004000–008088)	Screw, Hex, M8 X 1.25 X 20, 8.8	6
▲	16	15675	(004000–008088)	Screw, Hex, M8 X 1.25 X 16, Ss	4
▲	17	39349	(004000–008088)	Washer, Flat, 0.31, Sae	4
▲	18	08709	(004000–008088)	Nut, Hex, Lock, M8 X 1.25, NI	4
▲	19	19066	(007677–008088)	Washer, Flat, 0.25b 0.56d .05, PI, 10	2
▲	20	06549	(007677–008088)	Nut, Hex, Lock, M5 X 0.80, NI	2
		1027798	(007677–008088)	Lens, Red, F/ Strobe / Flasher	1
		1027800	(007677–008088)	Lens, Blu, F/ Strobe / Flasher	1
▽	21	82063	(004000–007676)	Light, Flashing, Amber, 12V–Re	1
▲		58520	(004000–007676)	Lens,Flashing Lite Fr207 Amber	1
▲		45779	(004000–007676)	Bulb, 12V	1
	22	45272	(004000–007676)	Guard Wldt, Lights, Strobe & Flsh	1
		58518	(004000–007676)	Lens,Flashing Lite Fr207 Red	1
		58519	(004000–007676)	Lens,Flashing Lite Fr207 Blue	1

Fig. 2 – Light Kit, Flashing, Overhead Guard (008089–)

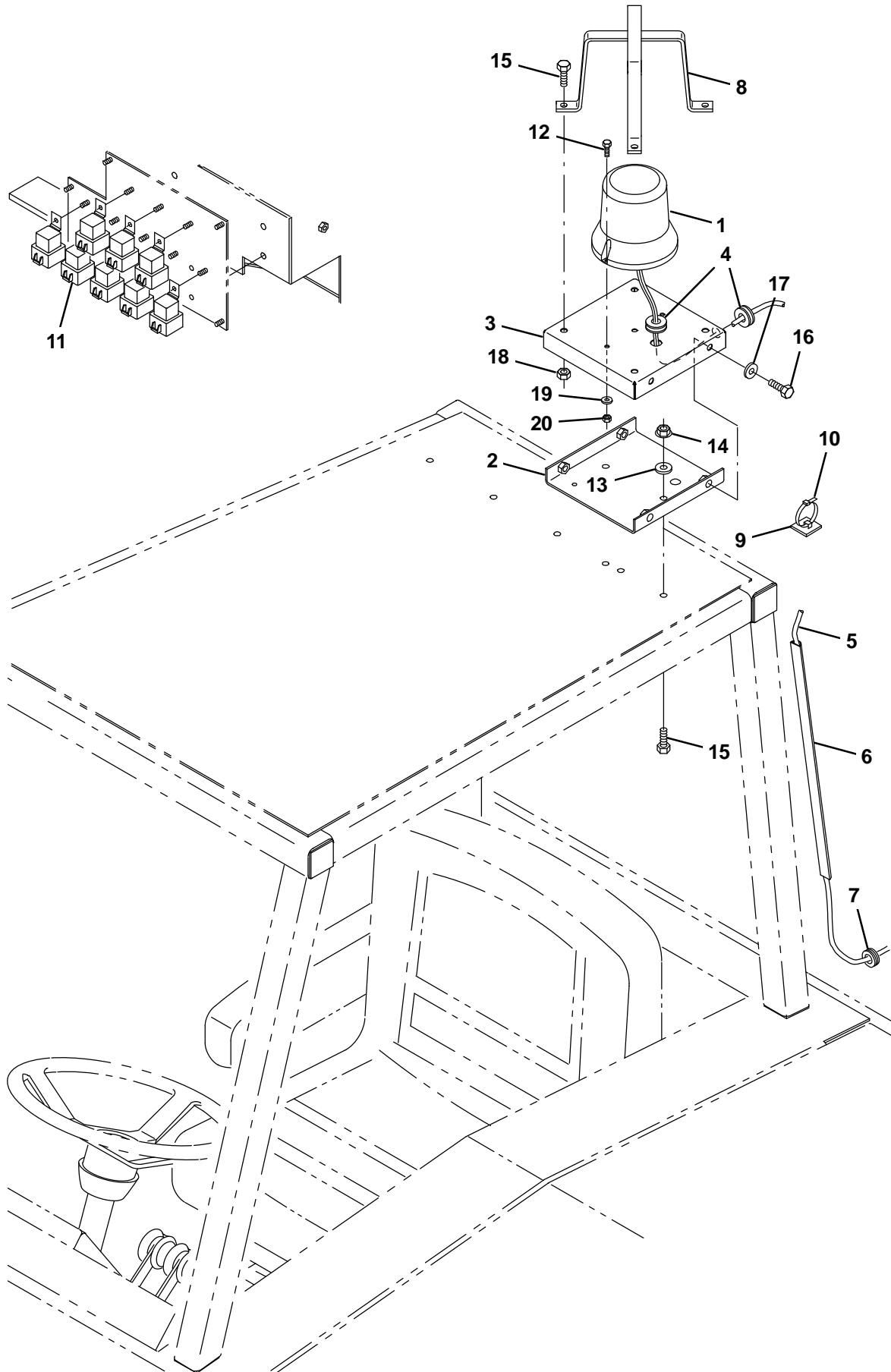


Fig. 2 – Light Kit, Flashing, Overhead Guard (008089–)

Ref.	Part No.	Serial Number	Description	Qty.
▽	9012886	(008089–)	Light Kit, Flsh, Ohg, Ci [800 Gray]	1
▲▽	1 1017248	(008089–)	Light, Flsh, Amb, 12–48vdc	1
▲▲	9000879	(008089–)	Lens, Amb, F/ Strobe / Flasher	1
▲▲	9000846	(008089–)	Lamp, Bulb, Flsh	1
▲	2 1073909	(008089–)	Bracket, Mtg, Lower, Light, Revl/Flsh	1
▲	3 1073894	(008089–)	Bracket, Mtg, Light [800 Gray]	1
▲	4 10632–20	(008089–)	Grommet,Rbr,0.38ld,For .06Matl	2
▲	5 74000	(008089–)	Harness, Strobe/Flsh Light,Cab,Ohg	1
▲	6 1064050	(008089–)	Duct, Afmkt, Vyl, 0.40 X 0.75 .25d, 04ft	1
▲	7 10632–4	(008089–)	Grommet,Rbr,0.63ld,For .06Matl	1
▲	8 1073934	(008089–)	Guard Wldt, Light, Revl/Flsh [800 Gray]	1
▲	9 55248	(008089–)	Cable Tie Mount	1
▲	10 49266	(008089–)	Tie, Cable	1
▲	11 56186	(008089–)	Relay, Shrouded, 12V	1
▲	12 09244	(008089–)	Screw, Hex, M5 X 0.80 X 16, 8.8	2
▲	13 32490	(008089–)	Washer, Flat, 0.25, Std	2
▲	14 07791	(008089–)	Nut, Hex, Flng, M8 X 1.25	2
▲	15 16931	(008089–)	Screw, Hex, M8 X 1.25 X 20, 8.8	6
▲	16 15675	(008089–)	Screw, Hex, M8 X 1.25 X 16, Ss	4
▲	17 39349	(008089–)	Washer, Flat, 0.31, Sae	4
▲	18 08709	(008089–)	Nut, Hex, Lock, M8 X 1.25, NI	4
▲	19 19066	(008089–)	Washer, Flat, 0.25b 0.56d .05, PI, 10	2
▲	20 06549	(008089–)	Nut, Hex, Lock, M5 X 0.80, NI	2
	1027798	(008089–)	Lens, Red, F/ Strobe / Flasher	1
	1027800	(008089–)	Lens, Blu, F/ Strobe / Flasher	1

Fig. 3 – Light Kit, Flashing, Cab (004000-008088)

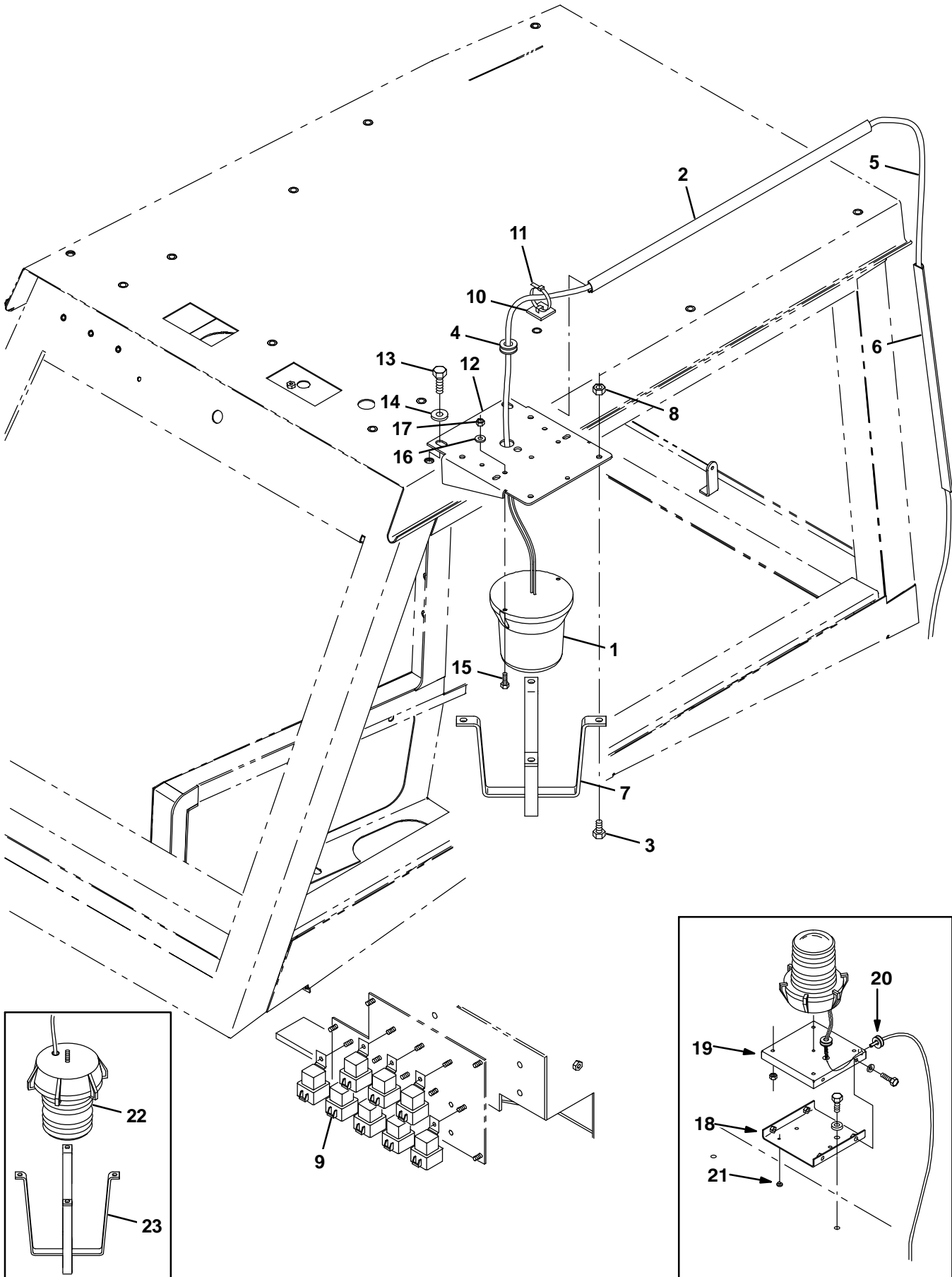


Fig. 3 – Light Kit, Flashing, Cab (004000–008088)

	Ref.	Part No.	Serial Number	Description	Qty.
▽		73751	(004000–008088)	Light Kit Flsh 800L Cab	1
▲▽	1	1017248	(007677–008088)	Light, Flsh, Amb, 12–48vdc	1
▲▲		9000879	(007677–008088)	Lens, Amb, F/ Strobe / Flasher	1
▲▲		9000846	(007677–008088)	Lamp, Bulb, Flsh	1
▲	2	1064050	(xxxxxx–008088)	Duct, Afmkt, Vyl, 0.40 X 0.75 .25d, 04ft	1
▲	3	15675	(004000–008088)	Screw, Hex, M8 X 1.25 X 16, Ss	4
▲	4	10632–20	(004000–008088)	Grommet,Rbr,0.38ld,For .06Matl	1
▲	5	74000	(004000–008088)	Harness, Strobe/Flsh Light,Cab,Ohg	1
▲	6	1064050	(004000–008088)	Duct, Afmkt, Vyl, 0.40 X 0.75 .25d, 04ft	1
▲	7	1070125	(007677–008088)	Guard Wldt, Light, Strobe/Flsh	1
▲	8	08709	(004000–008088)	Nut, Hex, Lock, M8 X 1.25, NI	4
▲	9	56186	(004000–008088)	Relay, Shrouded, 12V	1
▲	10	55248	(004000–008088)	Cable Tie Mount	1
▲	11	49266	(004000–008088)	Tie, Cable	1
▲	12	1066763	(xxxxxx–008088)	Bracket, Mtg, Light, Rotating	1
▲	13	09028	(xxxxxx–008088)	Screw, Hex, M10 X 1.50 X 25, Ss	2
▲	14	32492	(xxxxxx–008088)	Washer, Flat, 0.38, Std	2
▲	15	09244	(007677–008088)	Screw, Hex, M5 X 0.80 X 16, 8.8	2
▲	16	19066	(007677–008088)	Washer, Flat, 0.25b 0.56d .05, PI, 10	2
▲	17	06549	(007677–008088)	Nut, Hex, Lock, M5 X 0.80, NI	2
		1027798	(007677–008088)	Lens, Red, F/ Strobe / Flasher	1
		1027800	(007677–008088)	Lens, Blu, F/ Strobe / Flasher	1
	18	73899	(004000– xxxxxx)	Bracket	1
	19	73898	(004000– xxxxxx)	Panel	1
	20	10632–20	(004000– xxxxxx)	Grommet,Rbr,0.38ld,For .06Matl	1
	21	29233	(004000– xxxxxx)	Bumper, Rubber	4
▽	22	82063	(004000–007676)	Light, Flashing, Amber, 12V–Re	1
▲		58520	(004000–007676)	Lens,Flashing Lite Fr207 Amber	1
▲		45779	(004000–007676)	Bulb, 12V	1
	23	45272	(004000–007676)	Guard Wldt, Lights, Strobe & Flsh	1
		58518	(004000–007676)	Lens,Flashing Lite Fr207 Red	1
		58519	(004000–007676)	Lens,Flashing Lite Fr207 Blue	1

Fig. 4 – Light Kit, Flashing, Cab (008089-)

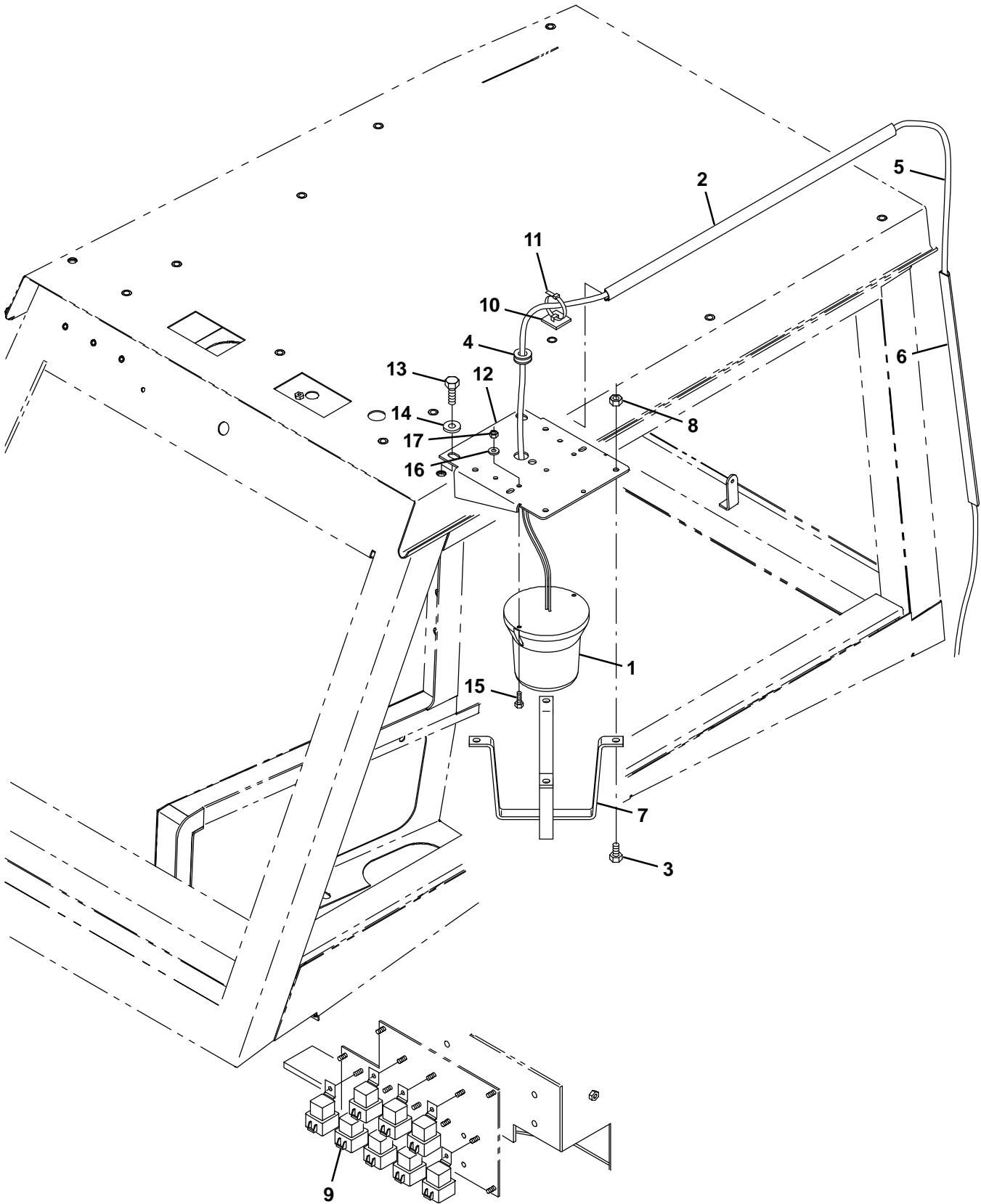


Fig. 4 – Light Kit, Flashing, Cab (008089–)

	Ref.	Part No.	Serial Number	Description	Qty.
▽		9012855	(008089–)	Light Kit, Flsh, Cab, Ci [800 Gray]	1
▲▽	1	1017248	(008089–)	Light, Flsh, Amb, 12–48vdc	1
▲▲		9000879	(008089–)	Lens, Amb, F/ Strobe / Flasher	1
▲▲		9000846	(008089–)	Lamp, Bulb, Flsh	1
▲	2	1064050	(008089–)	Duct, Afmkt, Vyl, 0.40 X 0.75 .25d, 04ft	1
▲	3	15675	(008089–)	Screw, Hex, M8 X 1.25 X 16, Ss	4
▲	4	10632–20	(008089–)	Grommet,Rbr,0.38ld,For .06Matl	1
▲	5	74000	(008089–)	Harness, Strobe/Flsh Light,Cab,Ohg	1
▲	6	1064050	(008089–)	Duct, Afmkt, Vyl, 0.40 X 0.75 .25d, 04ft	1
▲	7	1073934	(008089–)	Guard Wldt, Light, Revl/Flsh [800 Gray]	1
▲	8	08709	(008089–)	Nut, Hex, Lock, M8 X 1.25, NI	4
▲	9	56186	(008089–)	Relay, Shrouded, 12V	1
▲	10	55248	(008089–)	Cable Tie Mount	1
▲	11	49266	(008089–)	Tie, Cable	1
▲	12	1073933	(008089–)	Bracket, Mtg, Light, Rotating [800 Gray]	1
▲	13	09028	(008089–)	Screw, Hex, M10 X 1.50 X 25, Ss	2
▲	14	32492	(008089–)	Washer, Flat, 0.38, Std	2
▲	15	09244	(008089–)	Screw, Hex, M5 X 0.80 X 16, 8.8	2
▲	16	19066	(008089–)	Washer, Flat, 0.25b 0.56d .05, PI, 10	2
▲	17	06549	(008089–)	Nut, Hex, Lock, M5 X 0.80, NI	2
		1027798	(008089–)	Lens, Red, F/ Strobe / Flasher	1
		1027800	(008089–)	Lens, Blu, F/ Strobe / Flasher	1

Fig. 5 – Light Kit, Strobe, Overhead Guard (004000–008088)

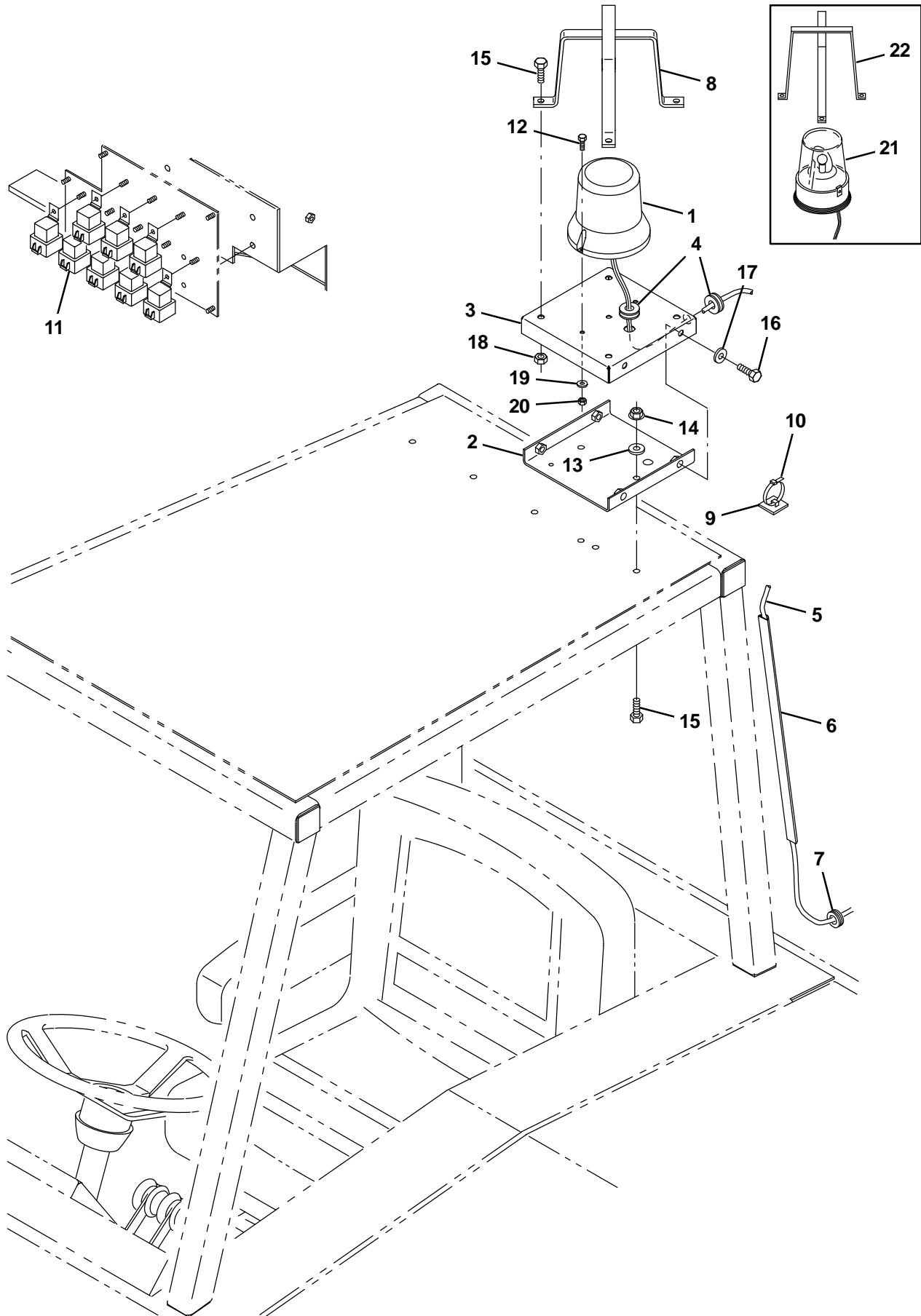


Fig. 5 – Light Kit, Strobe, Overhead Guard (004000–008088)

Ref.	Part No.	Serial Number	Description	Qty.
▽		73757 (004000–008088)	Light Kit Strobe 800L Ohg	1
▲▽	1	1017250 (007677–008088)	Light, Strobe, Amb, 12–48vdc	1
▲▲		9000879 (007677–008088)	Lens, Amb, F/ Strobe / Flasher	1
▲▲		9000845 (007677–008088)	Lamp, Bulb, Strobe	1
▲	2	73899 (004000–008088)	Bracket	1
▲	3	73898 (004000–008088)	Panel	1
▲	4	10632–20 (004000–008088)	Grommet,Rbr,0.38ld,For .06Matl	2
▲	5	74000 (004000–008088)	Harness, Strobe/Flsh Light,Cab,Ohg	1
▲	6	1064050 (004000–008088)	Duct, Afmkt, Vyl, 0.40 X 0.75 .25d, 04ft	1
▲	7	10632–4 (004000–008088)	Grommet,Rbr,0.63ld,For .13Matl	1
▲	8	1070125 (007677–008088)	Guard Wldt, Light, Strobe/Flsh	1
▲	9	55248 (004000–008088)	Cable Tie Mount	1
▲	10	49266 (004000–008088)	Tie, Cable	1
▲	11	56186 (004000–008088)	Relay, Shrouded, 12V	1
▲	12	09244 (007677–008088)	Screw, Hex, M5 X 0.80 X 16, 8.8	2
▲	13	32490 (004000–008088)	Washer, Flat, 0.25, Std	2
▲	14	07791 (004000–008088)	Nut, Hex, Flng, M8 X 1.25	2
▲	15	16931 (004000–008088)	Screw, Hex, M8 X 1.25 X 20, 8.8	6
▲	16	15675 (004000–008088)	Screw, Hex, M8 X 1.25 X 16, Ss	4
▲	17	39349 (004000–008088)	Washer, Flat, 0.31, Sae	4
▲	18	08709 (004000–008088)	Nut, Hex, Lock, M8 X 1.25, NI	4
▲	19	19066 (007677–008088)	Washer, Flat, 0.25b 0.56d .05, Pl, 10	2
▲	20	06549 (007677–008088)	Nut, Hex, Lock, M5 X 0.80, NI	2
		1027798 (007677–008088)	Lens, Red, F/ Strobe / Flasher	1
		1027800 (007677–008088)	Lens, Blu, F/ Strobe / Flasher	1
▽	21	82200 (004000–007676)	Light, Strobe.Amber 12V–Reworked	1
▲		44681–1 (004000–007676)	Lens, Strobe.Light,Amber	1
▲		45779 (004000–007676)	Bulb, 12V	1
▲	22	45272 (004000–007676)	Guard Wldt, Lights, Strobe & Flsh	1
		44681 (004000–007676)	Lens, Strobe.Light,Red	1
		44681–2 (004000–007676)	Lens, Strobe.Light,Blue	1

Fig. 6 – Light Kit, Strobe, Overhead Guard (008089-)

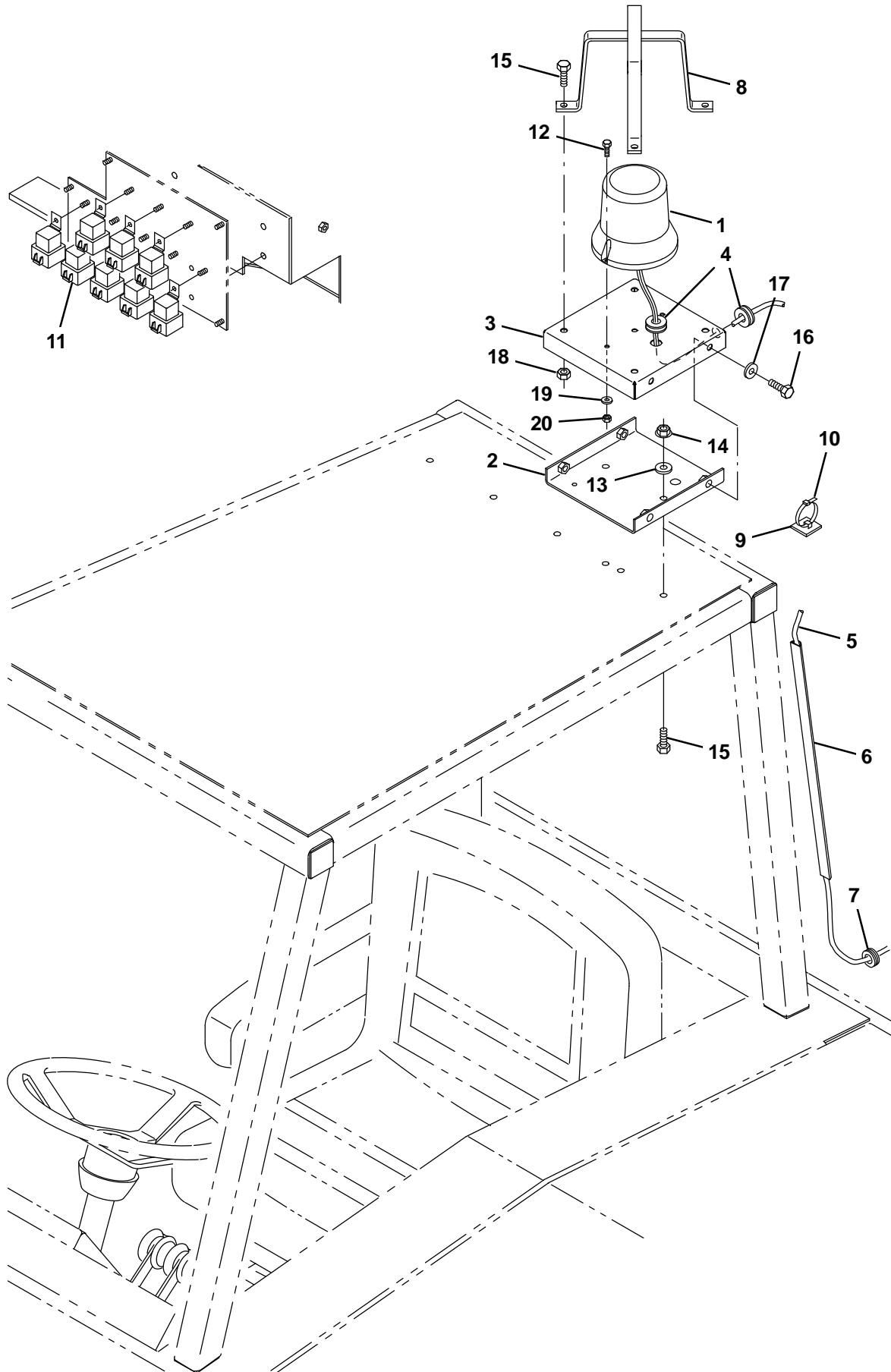


Fig. 6 – Light Kit, Strobe, Overhead Guard (008089–)

	Ref.	Part No.	Serial Number	Description	Qty.
▽		9012885	(008089–)	Light Kit, Strobe, Ohg, Ci [800l Gray]	1
▲▽	1	1017250	(008089–)	Light, Strobe, Amb, 12–48vdc	1
▲▲		9000879	(008089–)	Lens, Amb, F/ Strobe / Flasher	1
▲▲		9000845	(008089–)	Lamp, Bulb, Strobe	1
▲	2	1073909	(008089–)	Bracket, Mtg, Lower, Light, Revl/Flsh	1
▲	3	1073894	(008089–)	Bracket, Mtg, Light [800 Gray]	1
▲	4	10632–20	(008089–)	Grommet,Rbr,0.38ld,For .06Matl	2
▲	5	74000	(008089–)	Harness, Strobe/Flsh Light,Cab,Ohg	1
▲	6	1064050	(008089–)	Duct, Afmkt, Vyl, 0.40 X 0.75 .25d, 04ft	1
▲	7	10632–4	(008089–)	Grommet,Rbr,0.63ld,For .13Matl	1
▲	8	1073934	(008089–)	Guard Wldt, Light, Revl/Flsh [800 Gray]	1
▲	9	55248	(008089–)	Cable Tie Mount	1
▲	10	49266	(008089–)	Tie, Cable	1
▲	11	56186	(008089–)	Relay, Shrouded, 12V	1
▲	12	09244	(008089–)	Screw, Hex, M5 X 0.80 X 16, 8.8	2
▲	13	32490	(008089–)	Washer, Flat, 0.25, Std	2
▲	14	07791	(008089–)	Nut, Hex, Flng, M8 X 1.25	2
▲	15	16931	(008089–)	Screw, Hex, M8 X 1.25 X 20, 8.8	6
▲	16	15675	(008089–)	Screw, Hex, M8 X 1.25 X 16, Ss	4
▲	17	39349	(008089–)	Washer, Flat, 0.31, Sae	4
▲	18	08709	(008089–)	Nut, Hex, Lock, M8 X 1.25, NI	4
▲	19	19066	(008089–)	Washer, Flat, 0.25b 0.56d .05, PI, 10	2
▲	20	06549	(008089–)	Nut, Hex, Lock, M5 X 0.80, NI	2
		1027798	(008089–)	Lens, Red, F/ Strobe / Flasher	1
		1027800	(008089–)	Lens, Blu, F/ Strobe / Flasher	1

Fig. 7 – Light Kit, Strobe, Cab (004000-008088)

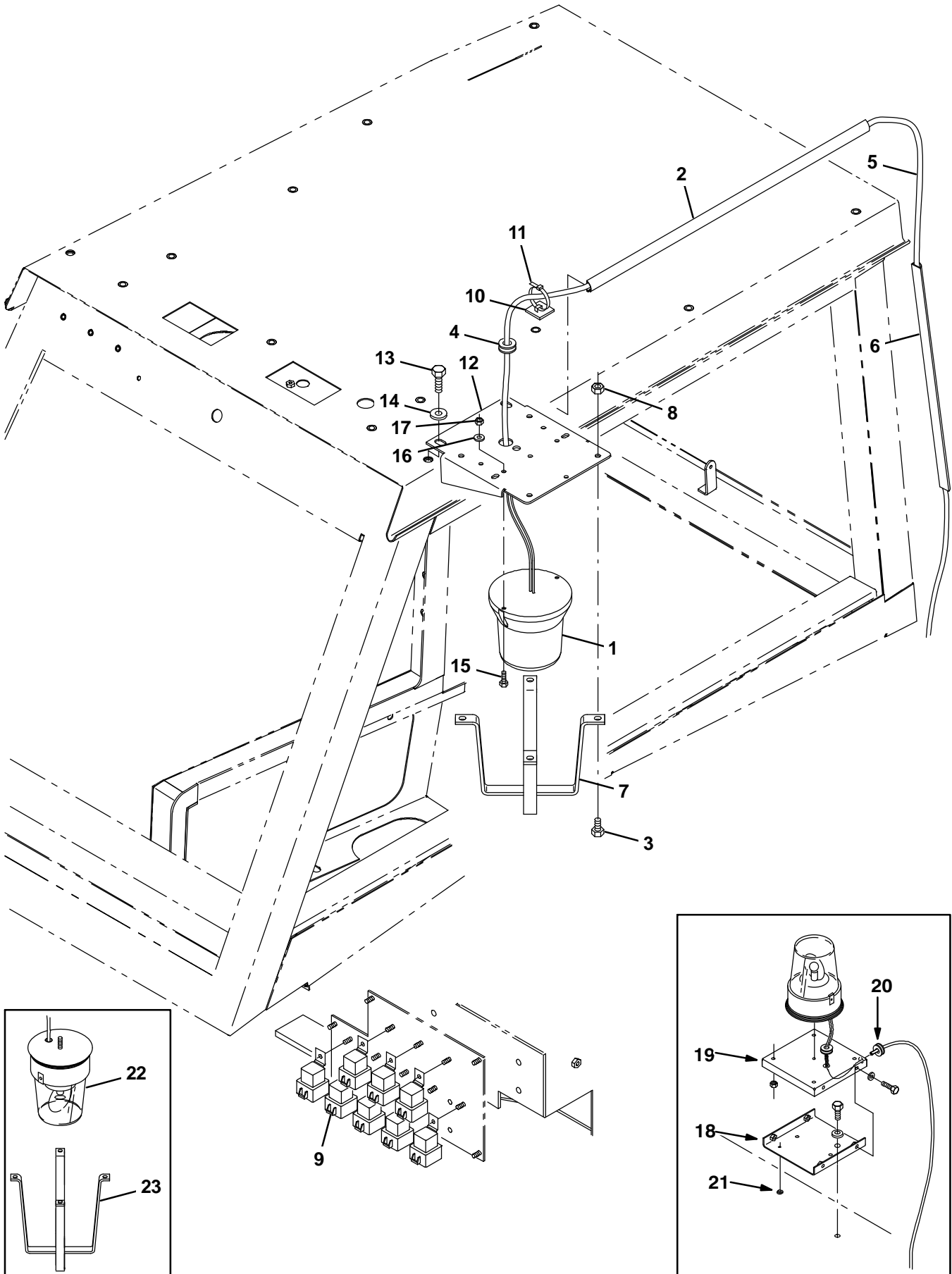


Fig. 7 – Light Kit, Strobe, Cab (004000–008088)

Ref.	Part No.	Serial Number	Description	Qty.
▽	73753	(004000–008088)	Light Kit Strobe 800L Cab	1
▲▽	1 1017250	(007677–008088)	Light, Strobe, Amb, 12–48vdc	1
▲▲	9000879	(007677–008088)	Lens, Amb, F/ Strobe / Flasher	1
▲▲	9000845	(007677–008088)	Lamp, Bulb, Strobe	1
▲	2 1064050	(xxxxxx–008088)	Duct, Afmkt, Vyl, 0.40 X 0.75 .25d, 04ft	1
▲	3 15675	(004000–008088)	Screw, Hex, M8 X 1.25 X 16, Ss	4
▲	4 10632–20	(004000–008088)	Grommet,Rbr,0.38ld,For .06Matl	1
▲	5 74000	(004000–008088)	Harness, Strobe/Flsh Light,Cab,Ohg	1
▲	6 1064050	(004000–008088)	Duct, Afmkt, Vyl, 0.40 X 0.75 .25d, 04ft	1
▲	7 1070125	(004000–)	Guard Wldt, Light, Rev/Flsh	1
▲	8 08709	(004000–008088)	Nut, Hex, Lock, M8 X 1.25, NI	4
▲	9 56186	(004000–008088)	Relay, Shrouded, 12V	1
▲	10 55248	(004000–008088)	Cable Tie Mount	1
▲	11 49266	(004000–008088)	Tie, Cable	1
▲	12 1066763	(xxxxxx–008088)	Bracket, Mtg, Light, Rotating	1
▲	13 09028	(xxxxxx–008088)	Screw, Hex, M10 X 1.50 X 25, Ss	2
▲	14 32492	(xxxxxx–008088)	Washer, Flat, 0.38, Std	2
▲	15 09244	(007677–008088)	Screw, Hex, M5 X 0.80 X 16, 8.8	2
▲	16 19066	(007677–008088)	Washer, Flat, 0.25b 0.56d .05, PI, 10	2
▲	17 06549	(007677–008088)	Nut, Hex, Lock, M5 X 0.80, NI	2
	1027798	(007677–008088)	Lens, Red, F/ Strobe / Flasher	1
	1027800	(007677–008088)	Lens, Blu, F/ Strobe / Flasher	1
	18 73899	(004000– xxxxxx)	Bracket	1
	19 73898	(004000– xxxxxx)	Panel	1
	20 10632–20	(004000– xxxxxx)	Grommet,Rbr,0.38ld,For .06Matl	1
	21 29233	(004000– xxxxxx)	Bumper, Rubber	1
▽	22 82200	(004000–007676)	Light, Strobe.Amber 12V–Reworked	1
▲	44681–1	(004000–007676)	Lens, Strobe.Light,Amber	1
▲	45779	(004000–007676)	Bulb, 12V	1
	23 45272	(004000–007676)	Guard Wldt, Lights, Strobe & Flsh	1
	44681	(004000–007676)	Lens, Strobe Light, Red	1
	44681–2	(004000–007676)	Lens, Strobe Light, Blue	1

Fig. 8 – Light Kit, Strobe, Cab (008089-)

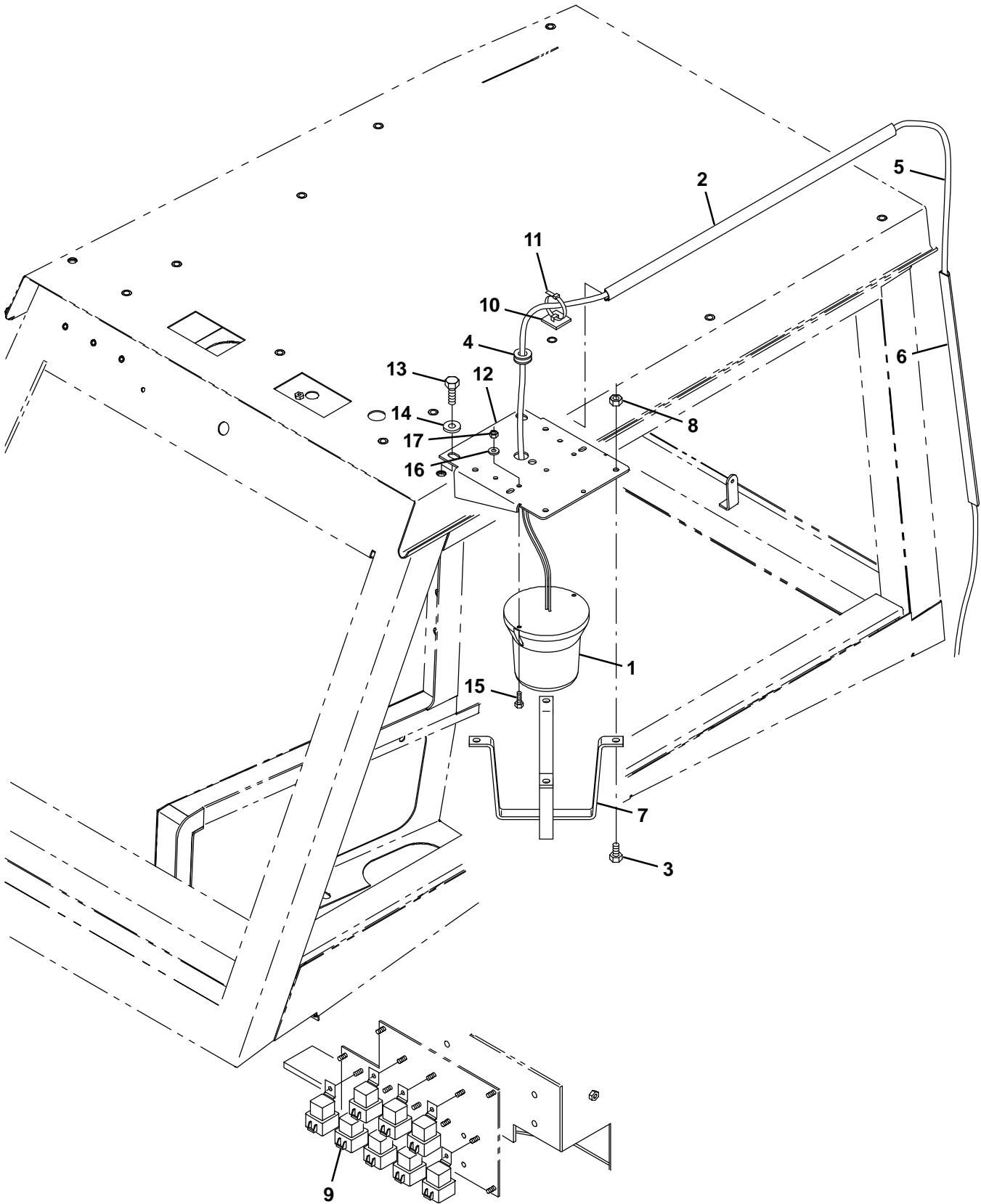


Fig. 8 – Light Kit, Strobe, Cab (008089–)

	Ref.	Part No.	Serial Number	Description	Qty.
▽		9012856	(008089–)	Light Kit, Revl, Cab, Ci [800l Gray]	1
▲▽	1	1017250	(008089–)	Light, Strobe, Amb, 12–48vdc	1
▲▲		9000879	(008089–)	Lens, Amb, F/ Strobe / Flasher	1
▲▲		9000845	(008089–)	Lamp, Bulb, Strobe	1
▲	2	1064050	(008089–)	Duct, Afmkt, Vyl, 0.40 X 0.75 .25d, 04ft	1
▲	3	15675	(008089–)	Screw, Hex, M8 X 1.25 X 16, Ss	4
▲	4	10632–20	(008089–)	Grommet,Rbr,0.38ld,For .06Matl	1
▲	5	74000	(008089–)	Harness, Strobe/Flsh Light,Cab,Ohg	1
▲	6	1064050	(008089–)	Duct, Afmkt, Vyl, 0.40 X 0.75 .25d, 04ft	1
▲	7	1073934	(008089–)	Guard Wldt, Light, Revl/Flsh [800 Gray]	1
▲	8	08709	(008089–)	Nut, Hex, Lock, M8 X 1.25, NI	4
▲	9	56186	(008089–)	Relay, Shrouded, 12V	1
▲	10	55248	(008089–)	Cable Tie Mount	1
▲	11	49266	(008089–)	Tie, Cable	1
▲	12	1073933	(008089–)	Bracket, Mtg, Light, Rotating [800 Gray]	1
▲	13	09028	(008089–)	Screw, Hex, M10 X 1.50 X 25, Ss	2
▲	14	32492	(008089–)	Washer, Flat, 0.38, Std	2
▲	15	09244	(008089–)	Screw, Hex, M5 X 0.80 X 16, 8.8	2
▲	16	19066	(008089–)	Washer, Flat, 0.25b 0.56d .05, PI, 10	2
▲	17	06549	(008089–)	Nut, Hex, Lock, M5 X 0.80, NI	2
		1027798	(008089–)	Lens, Red, F/ Strobe / Flasher	1
		1027800	(008089–)	Lens, Blu, F/ Strobe / Flasher	1

Fig. 9 – Light Kit, Flashing, Low (004000-008088)

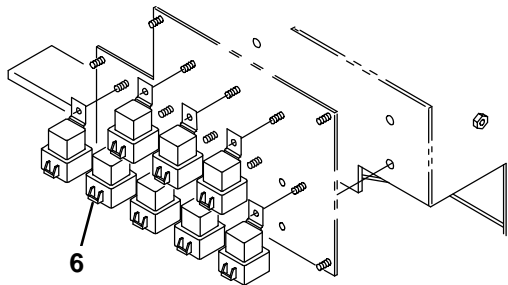
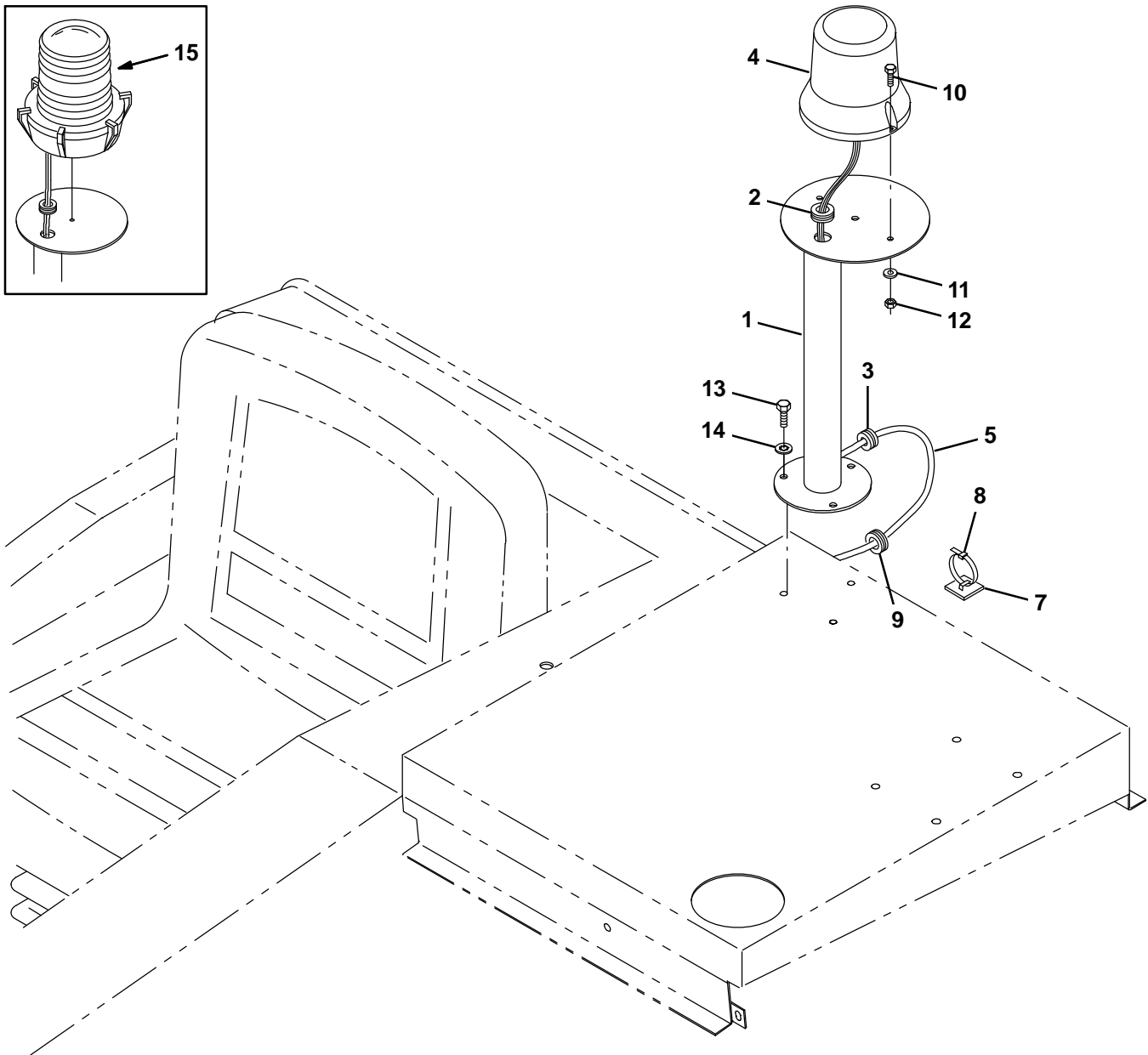


Fig. 9 – Light Kit, Flashing, Low (004000–008088)

Ref.	Part No.	Serial Number	Description	Qty.
▽	380643	(004000–008088)	Kit, Light, Flsh, Low	1
▲	1 31954	(004000–008088)	Pedestal Wldt, Light	1
▲	2 10632–9	(004000–008088)	Grommet, Rbr, 0.56 Id For .13mat	1
▲	3 10632–12	(004000–008088)	Grommet, Rbr, 0.38 Id For .12mat	1
▲▽	4 1017248	(007677–008088)	Light, Flsh, Amb, 12–48vdc	1
▲▲	9000879	(007677–008088)	Lens, Amb, F/ Strobe / Flasher	1
▲▲	9000846	(007677–008088)	Lamp, Bulb, Flsh	1
▲	5 380691	(004000–008088)	Harness, Alarm, Backup	1
▲	6 56186	(004000–008088)	Relay 12Vdc 40A Spdt	1
▲	7 55248	(004000–008088)	Cabletie Mount, Adhesive	2
▲	8 49266	(004000–008088)	Tie, Cable 1.75D Max 7.50Lg	2
▲	9 10632–4	(004000–008088)	Grommet	1
▲	10 09244	(007677–008088)	Screw, Hex, M5 X 0.80 X 16, 8.8	2
▲	11 19066	(007677–008088)	Washer, Flat, 0.25b 0.56d .05, Pl, 10	2
▲	12 06549	(007677–008088)	Nut, Hex, Lock, M5 X 0.80, NI	2
▲	13 06943	(004000–008088)	Screw, Hex, M6 X 1.00 X 20, 8.8	3
▲	14 32982	(004000–008088)	Washer, Lock, Int, 0.25	3
	1027798	(007677–008088)	Lens, Red, F/ Strobe / Flasher	1
	1027800	(007677–008088)	Lens, Blu, F/ Strobe / Flasher	1
▽	15 82063	(004000–007676)	Light, Flashing Amb 12v–re	1
▲	58520	(004000–007676)	Lens, Flashing Amb 12V	1
▲	45779	(004000–007676)	Bulb	1
	44681	(004000–007676)	Lens, Strobe Light, Red	1
	44681–2	(004000–007676)	Lens, Strobe Light, Blue	1

Fig. 10 – Light Kit, Flashing, Low (008089-)

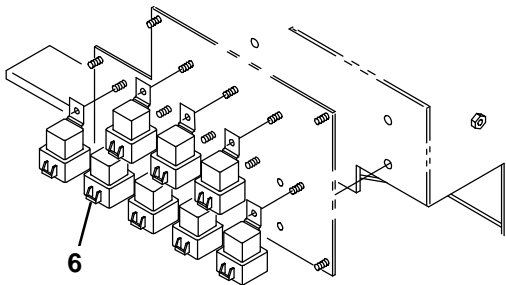
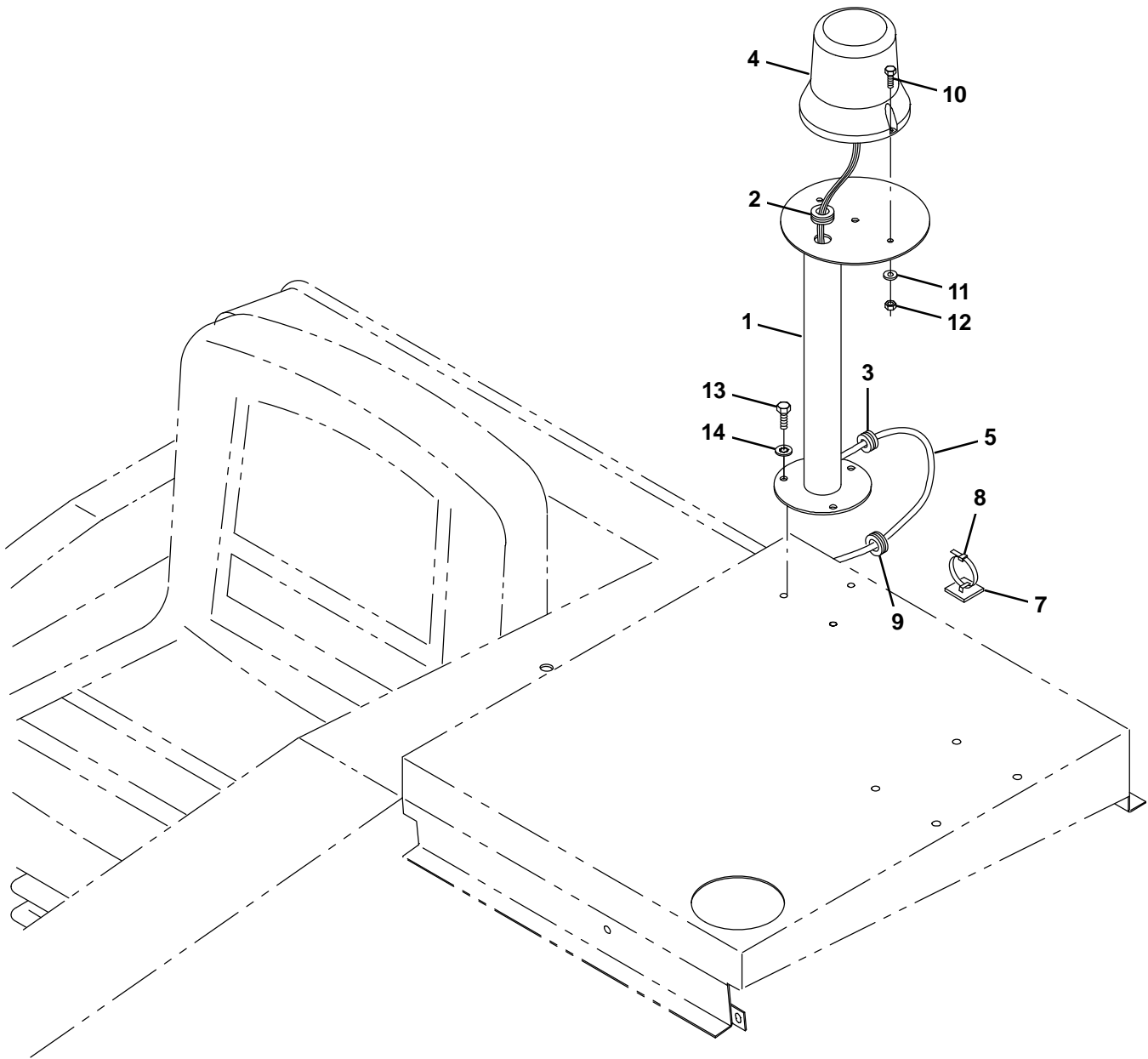


Fig. 10 – Light Kit, Flashing, Low (008089–)

	Ref.	Part No.	Serial Number	Description	Qty.
▽		9012853	(008089–)	Light Kit, Flsh, Ped, Ci [800 Gray]	1
▲	1	1073876	(008089–)	Pedestal Wldt, Light [800 Gray]	1
▲	2	10632–9	(008089–)	Grommet, Rbr, 0.56 Id For .13mat	1
▲	3	10632–12	(008089–)	Grommet, Rbr, 0.38 Id For .12mat	1
▲▽	4	1017248	(008089–)	Light, Flsh, Amb, 12–48vdc	1
▲▲		9000879	(008089–)	Lens, Amb, F/ Strobe / Flasher	1
▲▲		9000846	(008089–)	Lamp, Bulb, Flsh	1
▲	5	74000	(008089–)	Harness, Light, Flsh, Revl, Cab	1
▲	6	56186	(008089–)	Relay 12Vdc 40A Spdt	1
▲	7	55248	(008089–)	Cabletie Mount, Adhesive	2
▲	8	49266	(008089–)	Tie, Cable 1.75D Max 7.50Lg	2
▲	9	10632–4	(008089–)	Grommet	1
▲	10	09244	(008089–)	Screw, Hex, M5 X 0.80 X 16, 8.8	2
▲	11	19066	(008089–)	Washer, Flat, 0.25b 0.56d .05, Pl, 10	2
▲	12	06549	(008089–)	Nut, Hex, Lock, M5 X 0.80, NI	2
▲	13	06943	(008089–)	Screw, Hex, M6 X 1.00 X 20, 8.8	3
▲	14	32982	(008089–)	Washer, Lock, Int, 0.25	3
		1027798	(008089–)	Lens, Red, F/ Strobe / Flasher	1
		1027800	(008089–)	Lens, Blu, F/ Strobe / Flasher	1

Fig. 11 – Light Kit, Strobe, Low (004000–008088)

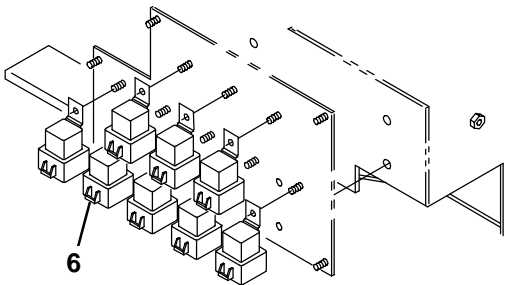
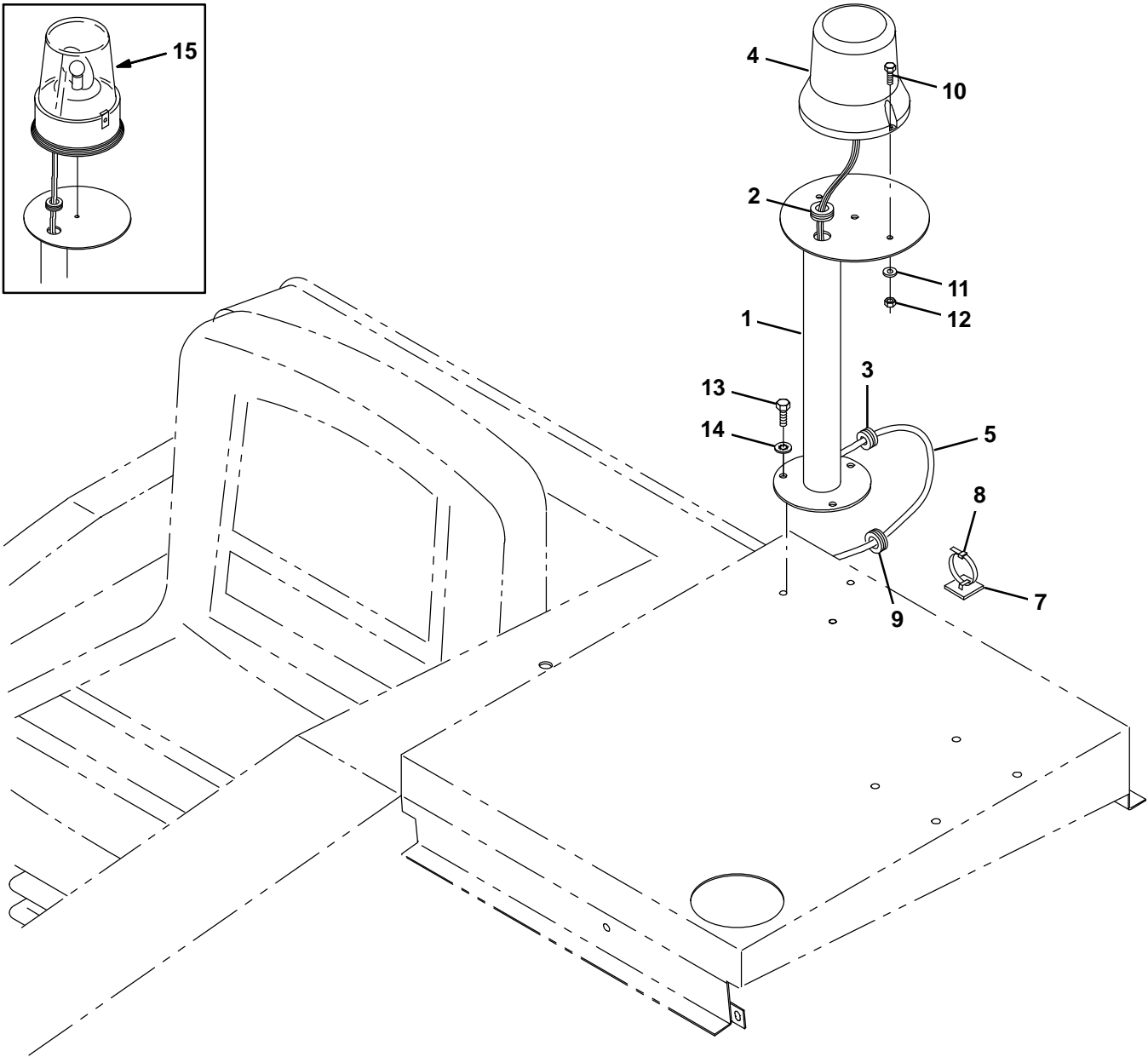


Fig. 11 – Light Kit, Strobe, Low (004000–008088)

	Ref.	Part No.	Serial Number	Description	Qty.
▽		380644	(004000–008088)	Kit, Light, Strobe, Low	1
▲	1	31954	(004000–008088)	Pedestal Wldt, Light	1
▲	2	10632–9	(004000–008088)	Grommet, Rbr, 0.56 Id For .13mat	1
▲	3	10632–12	(004000–008088)	Grommet, Rbr, 0.38 Id For .12mat	1
▲▽	4	1017250	(007677–008088)	Light, Strobe, Amb, 12–48vdc	1
▲▲		9000879	(007677–008088)	Lens, Amb, F/ Strobe / Flasher	1
▲▲		9000845	(007677–008088)	Lamp, Bulb, Strobe	1
▲	5	380691	(004000–008088)	Harness, Alarm, Backup	1
▲	6	56186	(004000–008088)	Relay 12Vdc 40A Spdt	1
▲	7	55248	(004000–008088)	Cabletie Mount, Adhesive	2
▲	8	49266	(004000–008088)	Tie, Cable 1.75D Max 7.50Lg	2
▲	9	10632–4	(004000–008088)	Grommet	1
▲	10	09244	(007677–008088)	Screw, Hex, M5 X 0.80 X 16, 8.8	2
▲	11	19066	(007677–008088)	Washer, Flat, 0.25b 0.56d .05, Pl, 10	2
▲	12	06549	(007677–008088)	Nut, Hex, Lock, M5 X 0.80, NI	2
▲	13	06943	(004000–008088)	Screw, Hex, M6 X 1.00 X 20, 8.8	3
▲	14	32982	(004000–008088)	Washer, Lock, Int, 0.25	3
		1027798	(007677–008088)	Lens, Red, F/ Strobe / Flasher	1
		1027800	(007677–008088)	Lens, Blu, F/ Strobe / Flasher	1
▽	15	82200	(004000–007676)	Light, Strobe Amber 12v–re	1
▲		44681–1	(004000–007676)	Lens, Strobe Light, Amber	1
▲		45779	(004000–007676)	Bulb	1
		44681	(004000–007676)	Lens, Strobe Light, Red	1
		44681–2	(004000–007676)	Lens, Strobe Light, Blue	1

Fig. 12 – Light Kit, Strobe, Low (008089–)

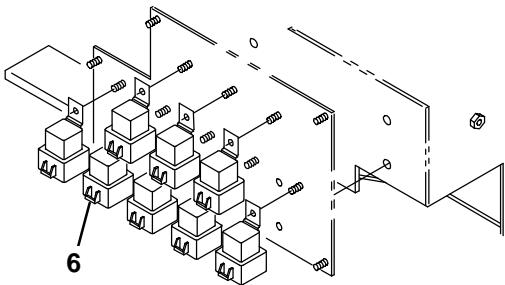
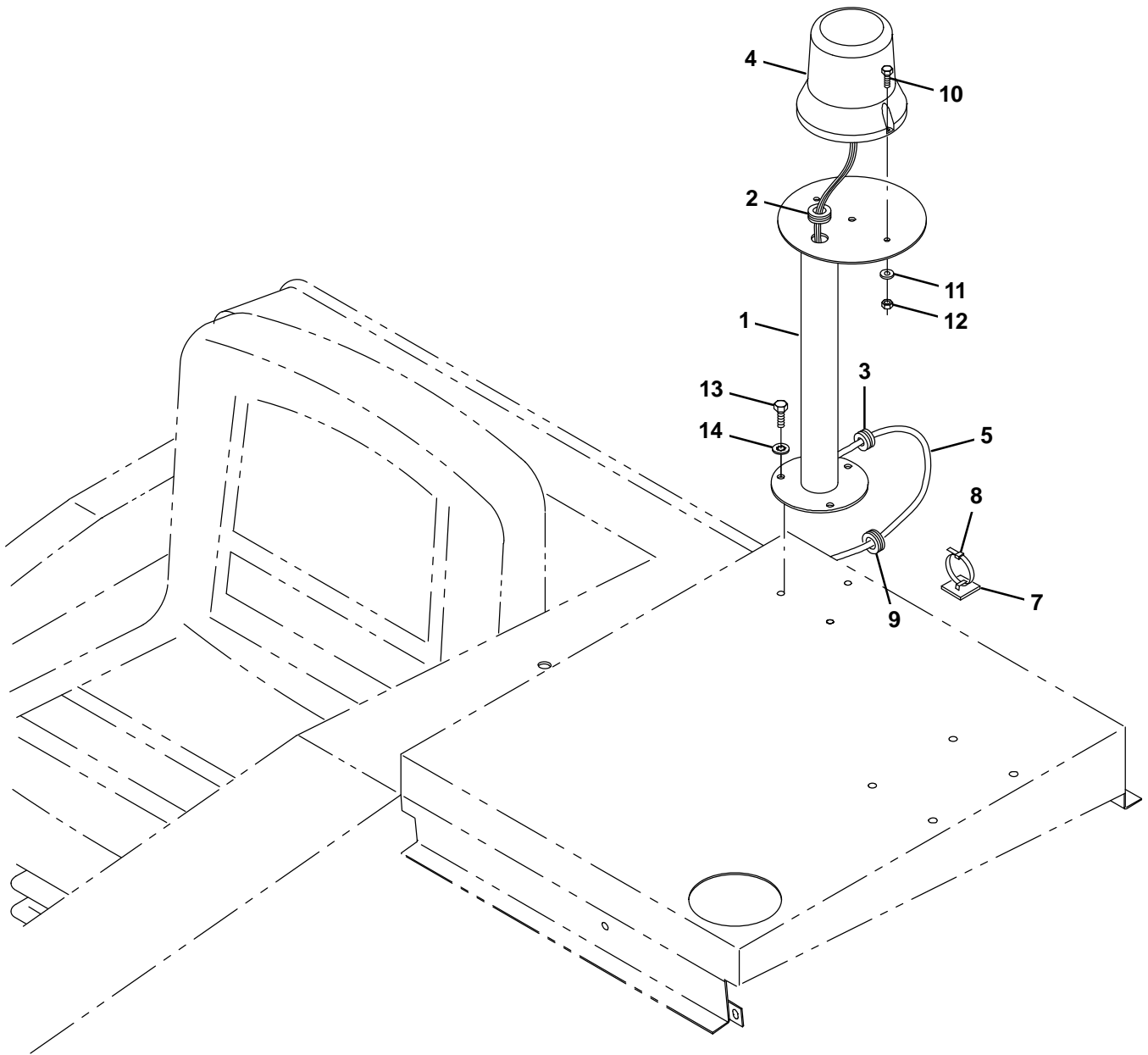


Fig. 12 – Light Kit, Strobe, Low (008089–)

	Ref.	Part No.	Serial Number	Description	Qty.
▽		9012854	(008089–)	Light Kit, Strobe, Ped, Ci [800I Gray]	1
▲	1	1073876	(008089–)	Pedestal Wldt, Light [800 Gray]	1
▲	2	10632–9	(008089–)	Grommet, Rbr, 0.56 Id For .13mat	1
▲	3	10632–12	(008089–)	Grommet, Rbr, 0.38 Id For .12mat	1
▲▽	4	1017250	(008089–)	Light, Strobe, Amb, 12–48vdc	1
▲▲		9000879	(008089–)	Lens, Amb, F/ Strobe / Flasher	1
▲▲		9000845	(008089–)	Lamp, Bulb, Strobe	1
▲	5	74000	(008089–)	Harness, Light, Flsh, Revl, Cab	1
▲	6	56186	(008089–)	Relay 12Vdc 40A Spdt	1
▲	7	55248	(008089–)	Cabletie Mount, Adhesive	2
▲	8	49266	(008089–)	Tie, Cable 1.75D Max 7.50Lg	2
▲	9	10632–4	(008089–)	Grommet	1
▲	10	09244	(008089–)	Screw, Hex, M5 X 0.80 X 16, 8.8	2
▲	11	19066	(008089–)	Washer, Flat, 0.25b 0.56d .05, Pl, 10	2
▲	12	06549	(008089–)	Nut, Hex, Lock, M5 X 0.80, NI	2
▲	13	06943	(008089–)	Screw, Hex, M6 X 1.00 X 20, 8.8	3
▲	14	32982	(008089–)	Washer, Lock, Int, 0.25	3
		1027798	(008089–)	Lens, Red, F/ Strobe / Flasher	1
		1027800	(008089–)	Lens, Blu, F/ Strobe / Flasher	1

Fig. 13 – Back-Up Alarm Kit (004000–008088)

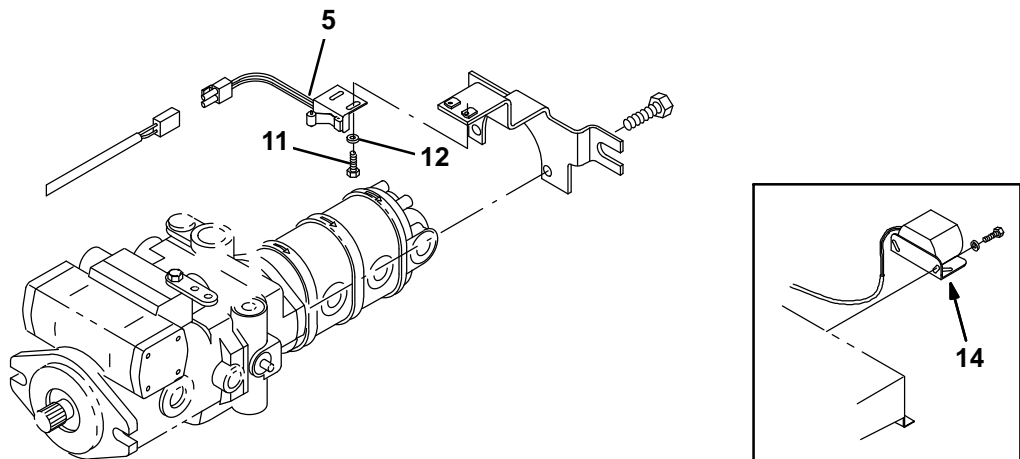
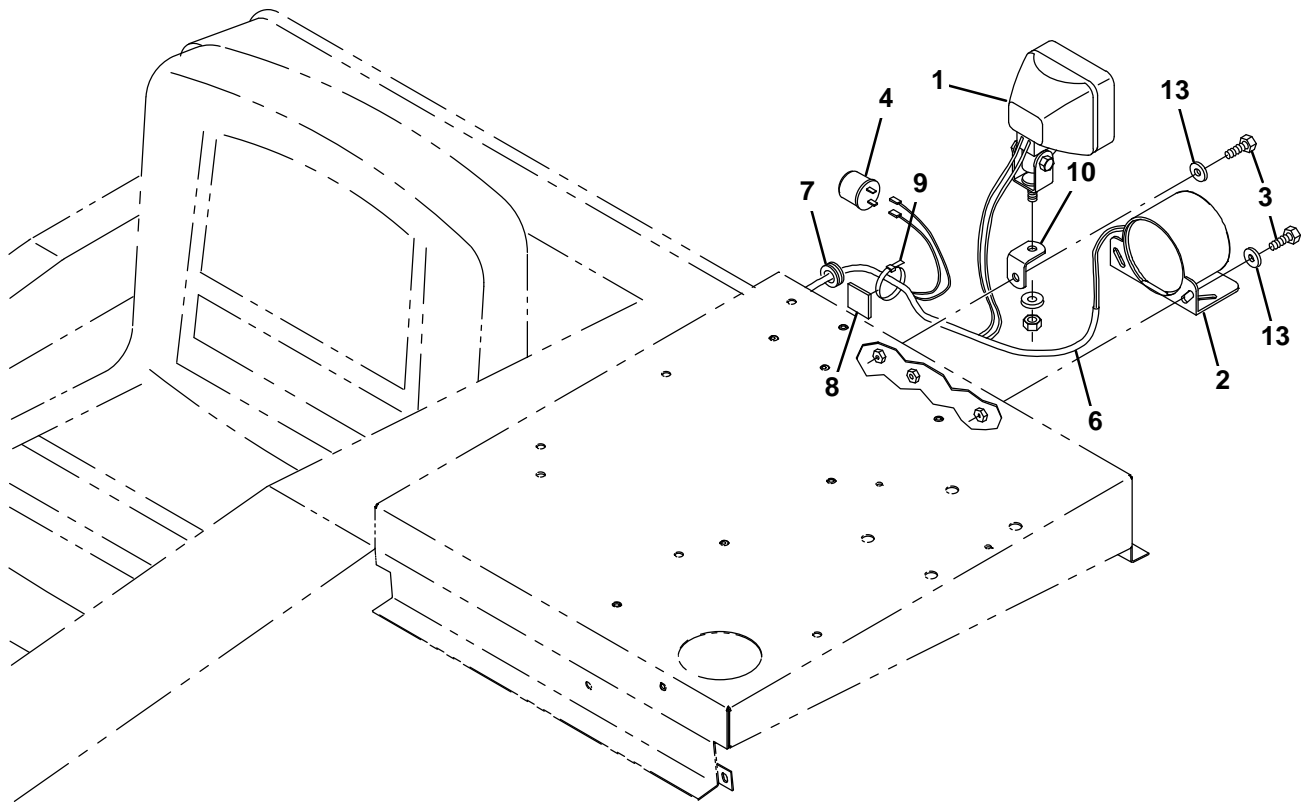


Fig. 13 – Back-Up Alarm Kit (004000–008088)

	Ref.	Part No.	Serial Number	Description	Qty.
▽		380640	(004000–008088)	Kit, Alarm, Backup	1
▲▽	1	382978	(004000–008088)	Light, Spot 12V, 32cp	1
▲▲		393770	(004000–008088)	Lamp, 12VDC 55w	1
▲	2	9007131	(007519–008088)	Alarm Assy, Backup, 12/48vdc	1
▲	3	06943	(004000–008088)	Screw, Hex, M6 X 1.00 X 20, 8.8	3
▲	4	24576	(004000–008088)	Flasher, 12v	1
▲	5	59965	(004000–008088)	Switch Assy, Roller–no	1
▲	6	380691	(004000–008088)	Harness, Alarm, Back–up	1
▲	7	10632–4	(004000–008088)	Grommet	1
▲	8	55248	(004000–008088)	Mount, Tie	2
▲	9	49266	(004000–008088)	Tie, Cable	2
▲	10	76385	(004000–008088)	Bracket	1
▲	11	09206	(004000–008088)	Screw, Hex, M4 X 0.70 X 12, 8.8	2
▲	12	19065	(004000–008088)	Washer, Flat, 08	2
▲	13	32483	(004000–008088)	Washer, Flat, 0.25, Sae	3
	14	61923	(004000–007518)	Horn, Back–up Alarm	1

Fig. 14 – Back-Up Alarm Kit (008089-)

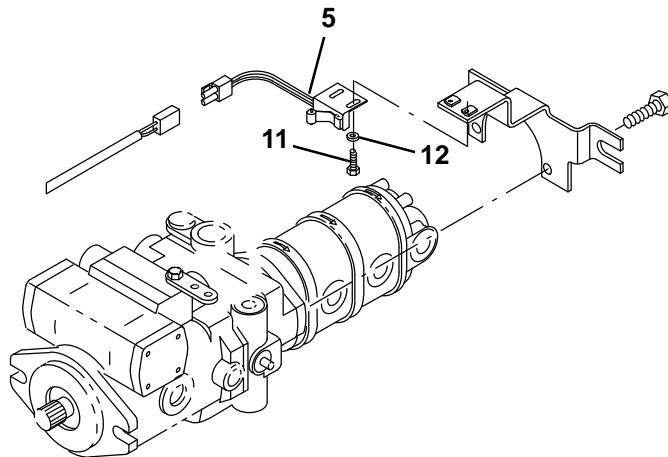
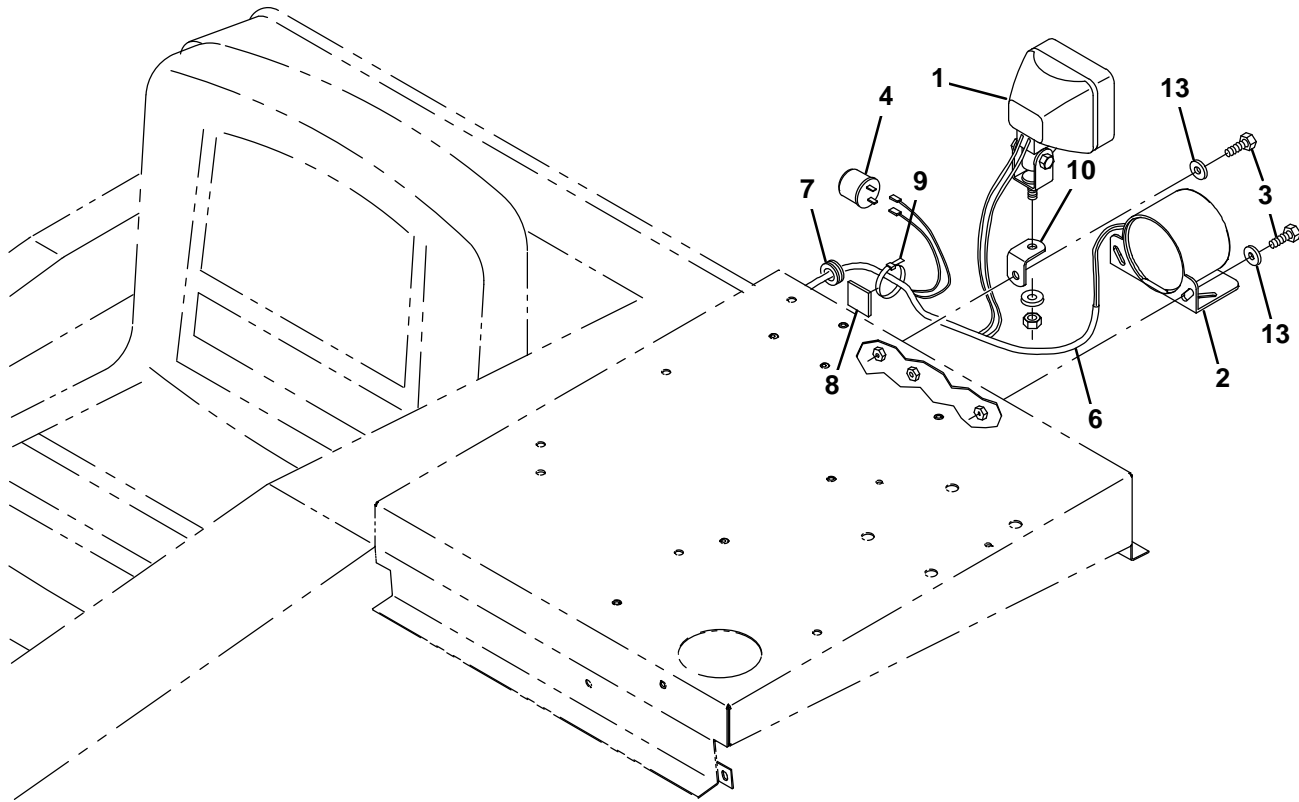


Fig. 13 – Back-Up Alarm Kit (008089–)

	Ref.	Part No.	Serial Number	Description	Qty.
▽		9012890	(008089–)	Alarm Kit, Backup / A/V, Ci [800gray]	1
▲▽	1	382978	(008089–)	Light, Spot 12V, 32cp	1
▲▲		393770	(008089–)	Lamp, 12VDC 55w	1
▲	2	9007131	(008089–)	Alarm Assy, Backup, 12/48vdc	1
▲	3	06943	(008089–)	Screw, Hex, M6 X 1.00 X 20, 8.8	3
▲	4	24576	(008089–)	Flasher, 12v	1
▲	5	59965	(008089–)	Switch Assy, Roller–no	1
▲	6	380691	(008089–)	Harness, Alarm, Back–up	1
▲	7	10632–4	(008089–)	Grommet	1
▲	8	55248	(008089–)	Mount, Tie	2
▲	9	49266	(008089–)	Tie, Cable	2
▲	10	1073927	(008089–)	Bracket, Angle [Gray]	1
▲	11	09206	(008089–)	Screw, Hex, M4 X 0.70 X 12, 8.8	2
▲	12	19065	(008089–)	Washer, Flat, 08	2
▲	13	32483	(008089–)	Washer, Flat, 0.25, Sae	3

Fig. 15 – Turn Signal Kit

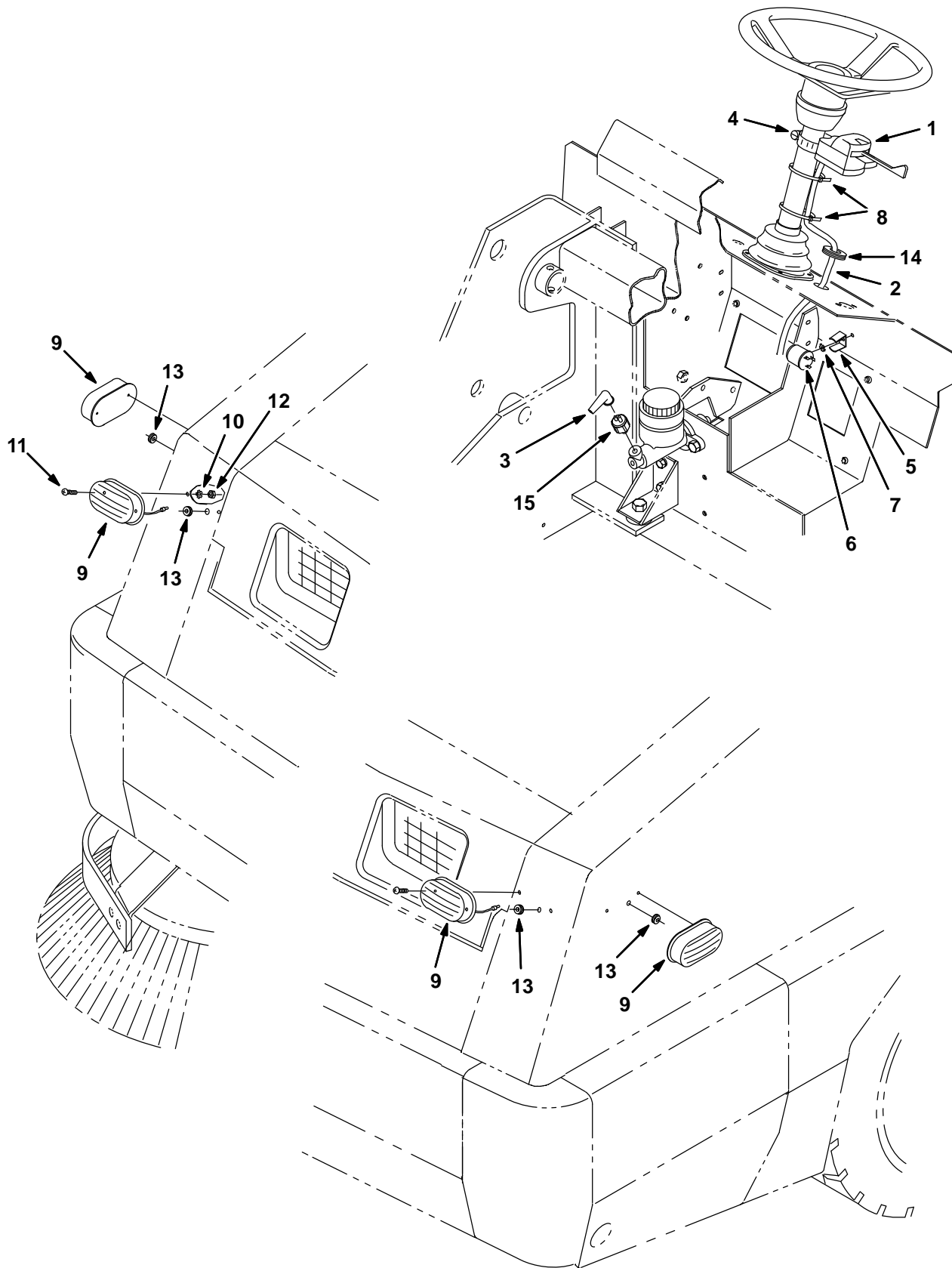


Fig. 15 – Turn Signal Kit

	Ref.	Part No.	Serial Number	Description	Qty.
▽		380712	(004000–) Kit, Signal, Turn	1
▲	1	60751	(004000–) Signal Turn	1
▲	2	76423	(004000–) Harness, Directional	1
▲	3	61365	(004000–) Boot, 90deg .44id 0.62id 1.69l, Blk	1
▲	4	11531	(004000–) Clamp–Wormdrive, 0.81– 1.50D	1
▲	5	24576–1	(004000–) Bracket, Flasher	1
▲	6	31922	(004000–) Flasher Heavy Duty	1
▲	7	41139	(004000–) Washer–Loc Int–Ext 10 Pltd	1
▲	8	49266	(004000–) Tie, Cable	4
▲▽	9	34848	(004000–) Light Assy Mark/Yel 12V– . A	4
▲▲		87948	(004000–) Bulb, #194	1
▲	10	41140	(004000–) Washer–Loc Int–Ext .25 Pltd	8
▲	11	06927	(004000–) Screw, Pan, M04	8
▲	12	02850	(004000–) Nut, Hex, Lock	8
▲	13	10632–5	(004000–) Grommet Rbr 0.25ld For .09Matl	5
▲	14	10632–8	(004000–) Grommet,Rbr,0.75ld,For .13Matl	1
▲	15	13959	(004000–) Switch	1

Fig. 16 – Overhead Guard Kit (004000-008088)

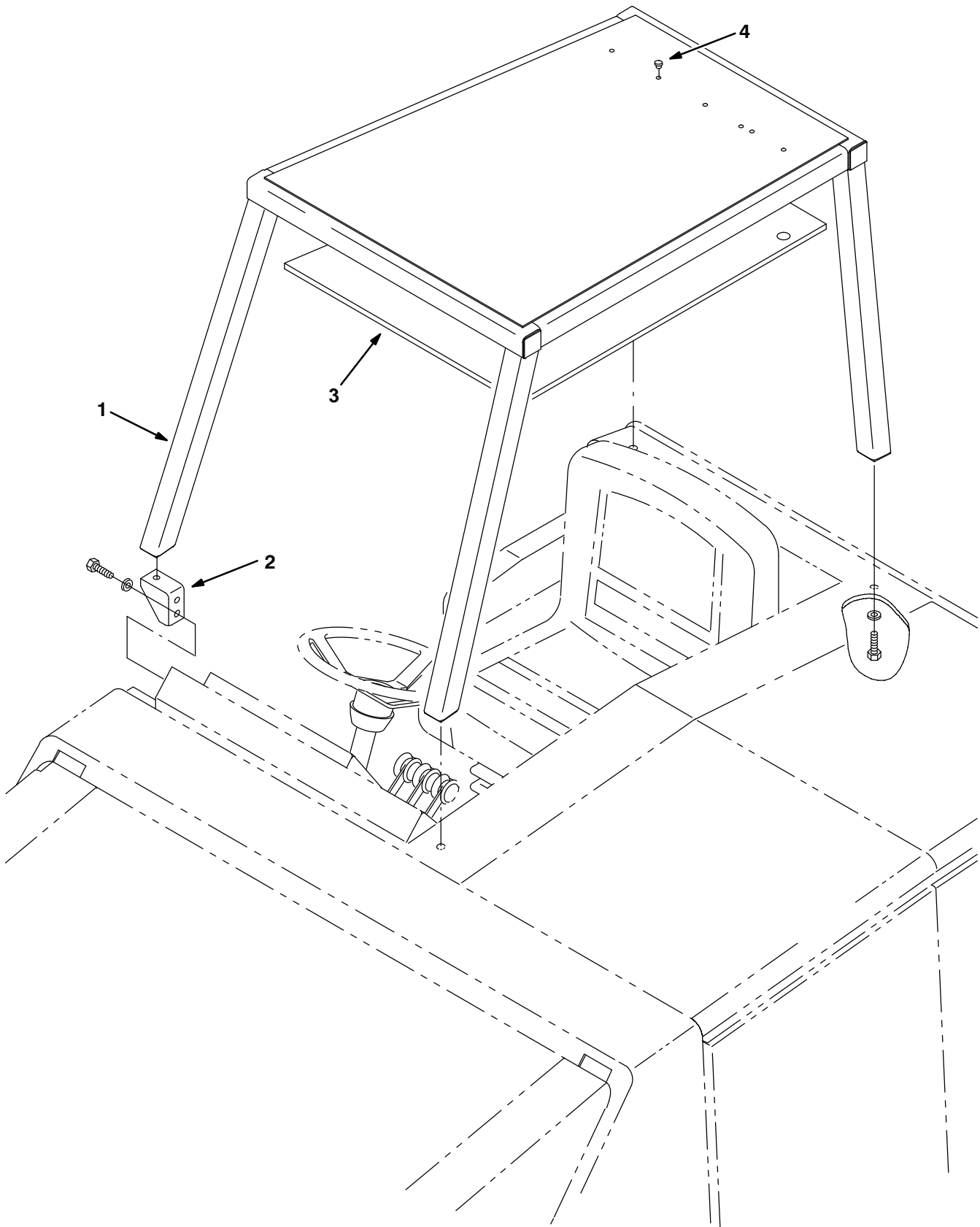


Fig. 16 – Overhead Guard Kit (004000–008088)

	Ref.	Part No.	Serial Number	Description	Qty.
▽		70669	(004000–008088)	Guard Kit, Overhead	1
▲	1	65258	(004000–008088)	Guard Wldt, Overhead	1
▲	2	70454	(004000–008088)	Bracket, Mtg, Ohg	1
▲	3	74007	(004000–008088)	Foam, Insulation	1
▲	4	33806	(004000–008088)	Plugbutton	6

Fig. 17 – Overhead Guard Kit (008089-)

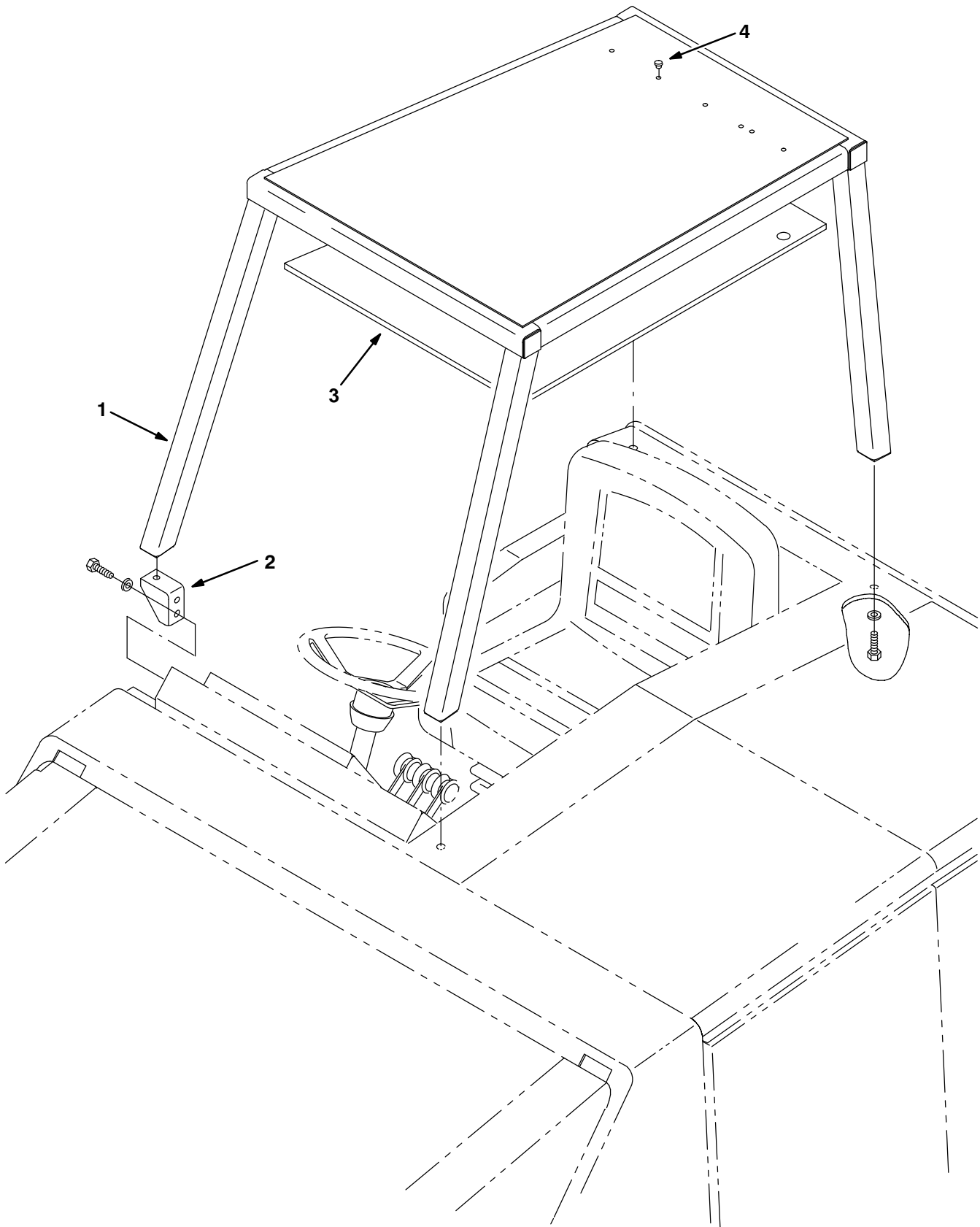
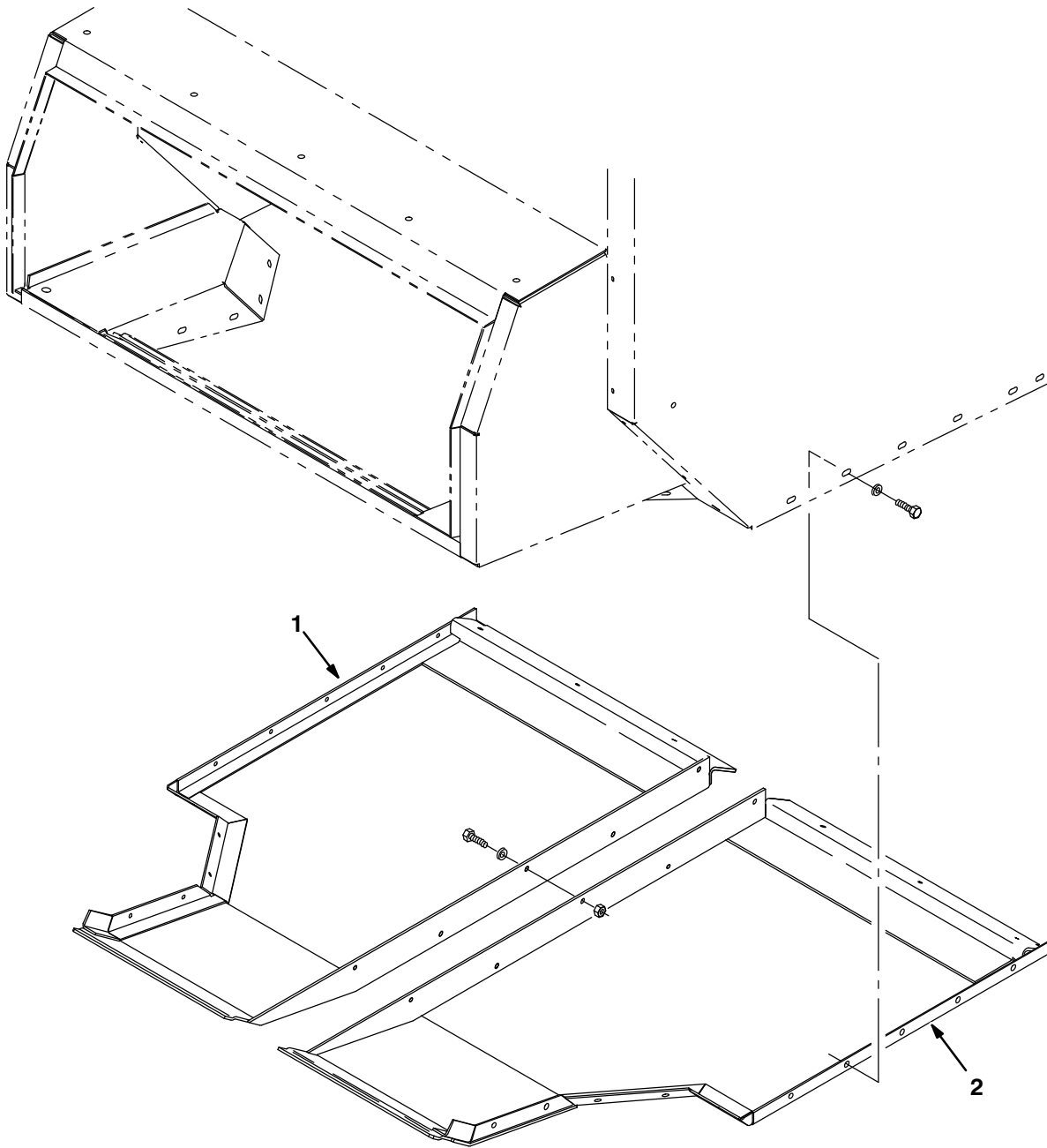


Fig. 17 – Overhead Guard Kit (008089–)

	Ref.	Part No.	Serial Number	Description	Qty.
▽		9012880	(008089–)	Ohg Kit, Ci [800l Gray]	1
▲	1	1073869	(008089–)	Guard Wldt, Ohg [800 Gray]	1
▲	2	1073877	(008089–)	Bracket, Mtg, Ohg [800 Gray]	1
▲	3	74007	(008089–)	Foam, Insulation	1
▲	4	33806	(008089–)	Plugbutton	6

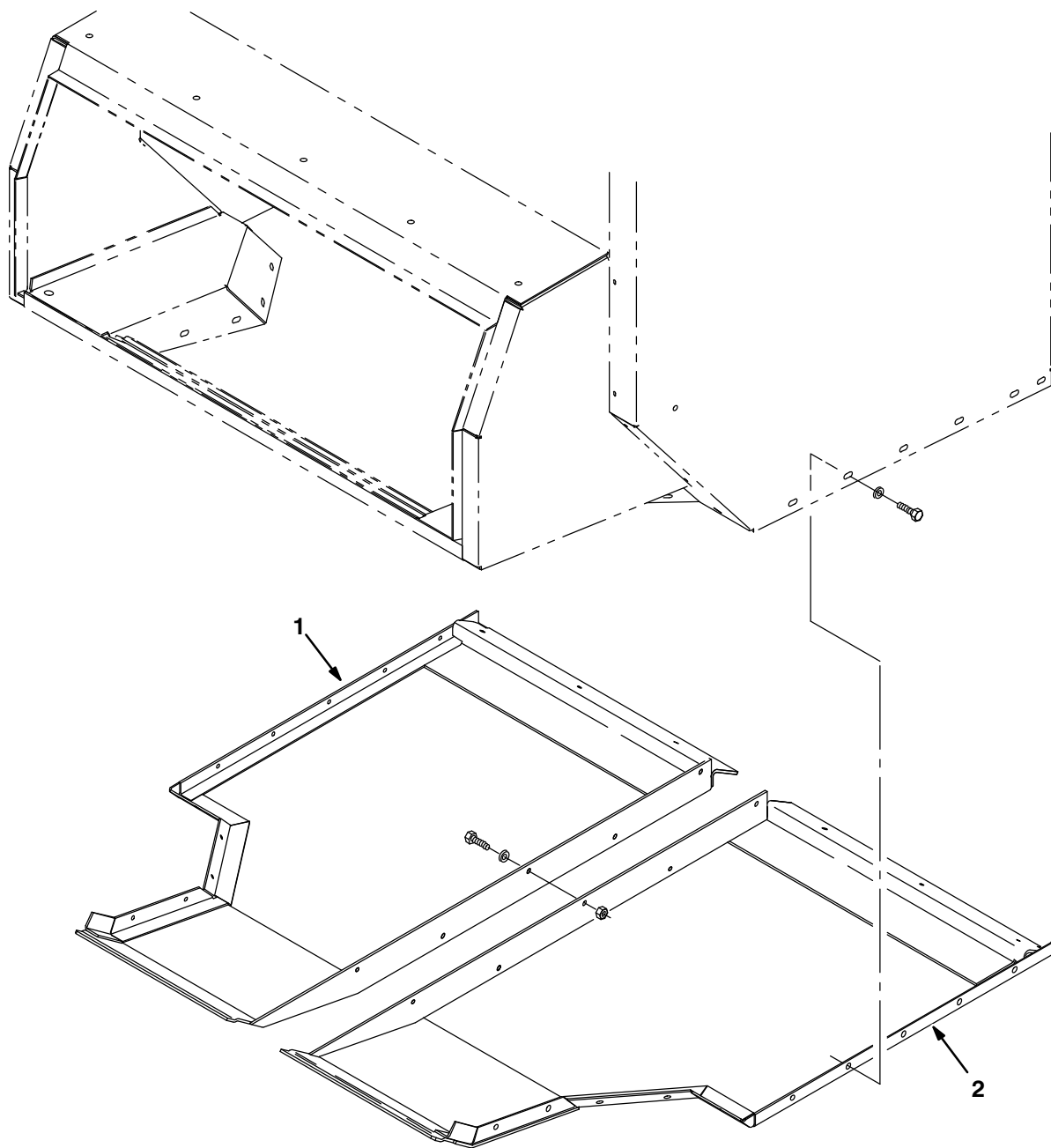
Fig. 18 – Hopper Floor Kit (004000–008088)



07668 – 800

Ref.	Part No.	Serial Number	Description	Qty.
▽	70686	(004000–008088)	Hopper Floor Kit, St Stl 800	1
▲	1 77611	(004000–008088)	Panel Wldt, Hopper, Floor, RH	1
▲	2 77613	(004000–008088)	Panel Wldt, Hopper, Floor, LH	1

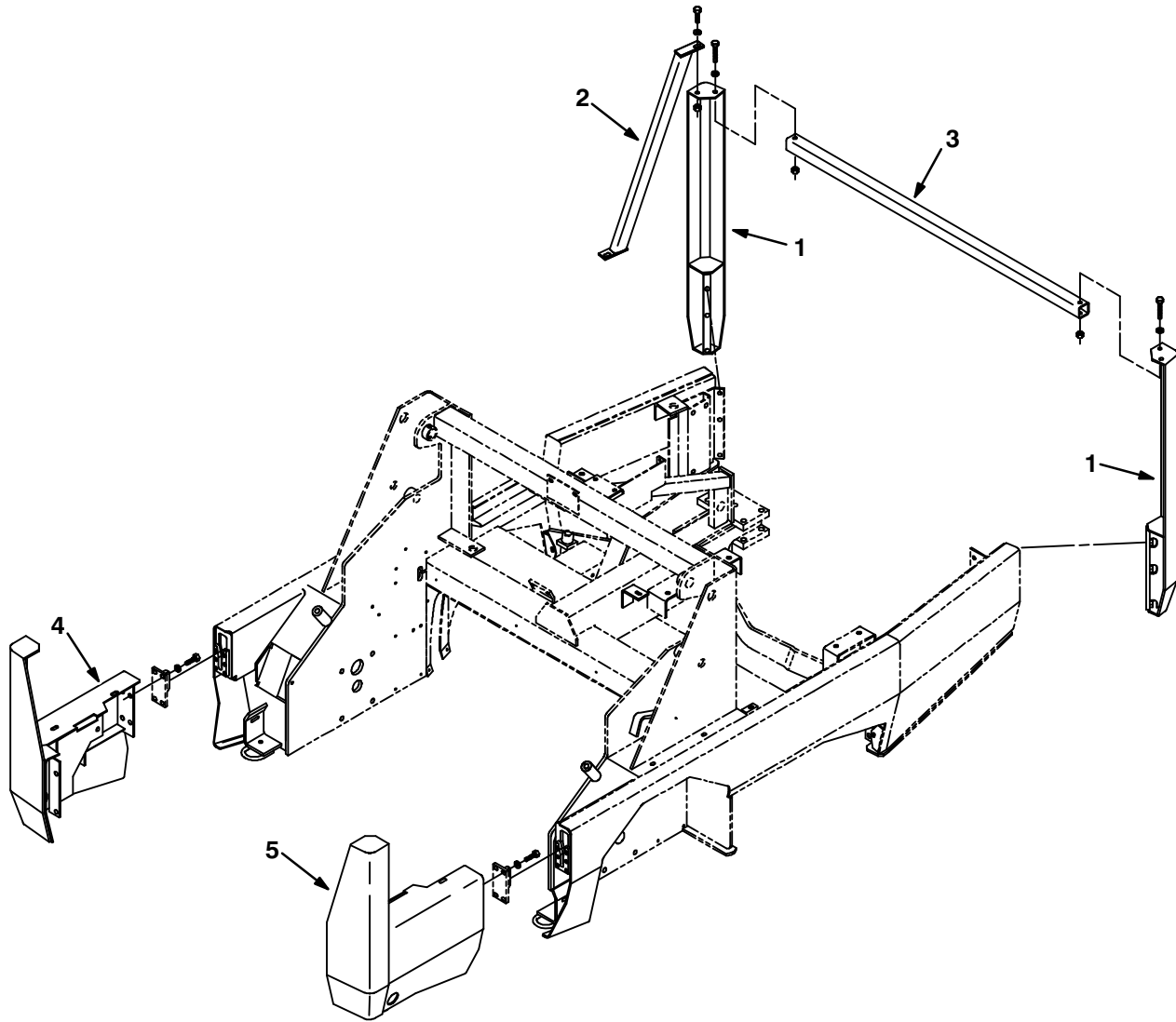
Fig. 19 – Hopper Floor Kit (008089-)



07668 – 800

Ref.	Part No.	Serial Number	Description	Qty.
▽	9012892	(008089-)	Floor Kit, Hppr, Ssb, Ci [800lgray]	1
▲	1 1073946	(008089-)	Panel, Hppr, Bottom, Rh [800 B/Green Ss]	1
▲	2 1073947	(008089-)	Panel, Hppr, Bottom, Lh [800 B/Green Ss]	1

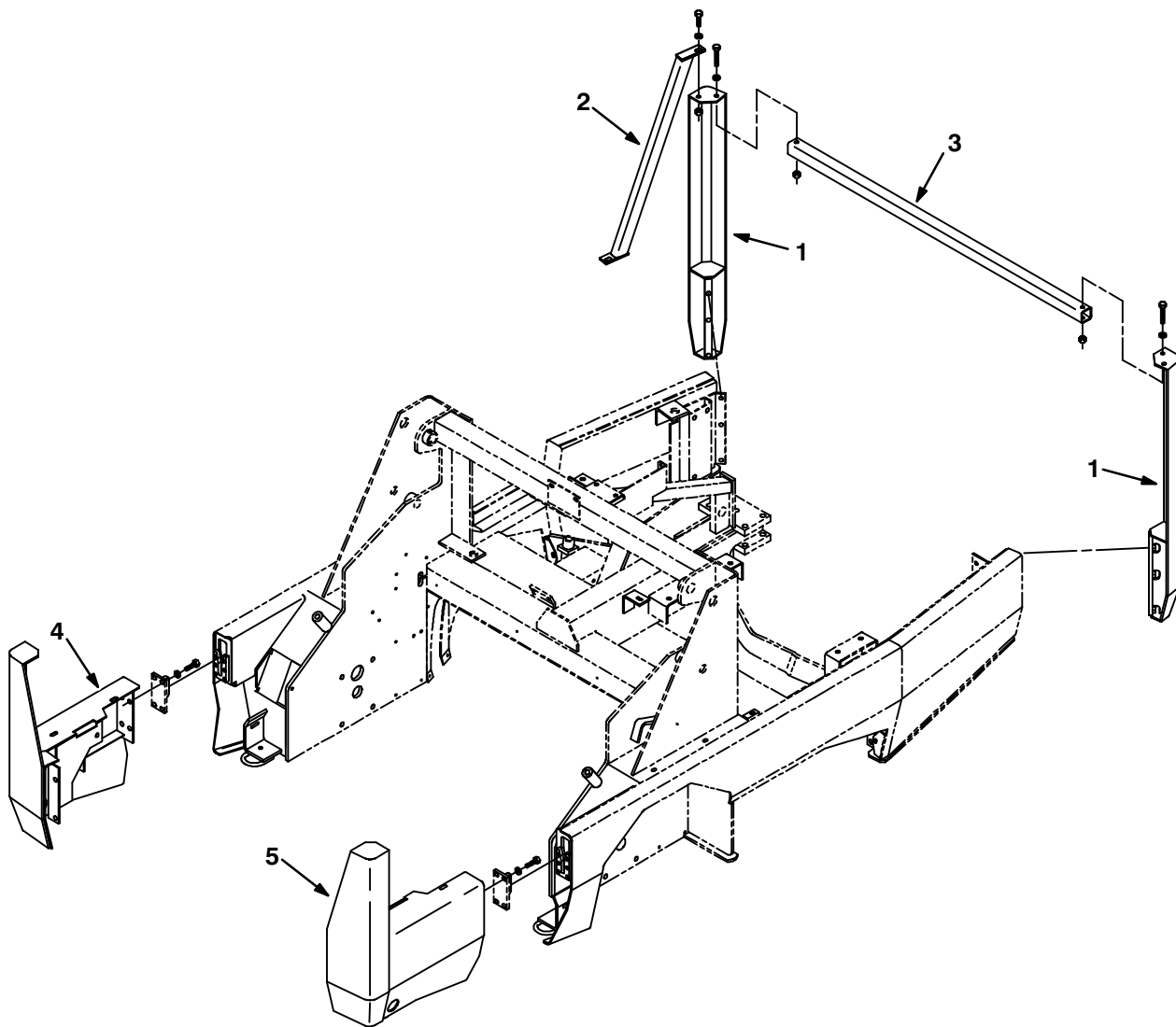
Fig. 20 – Bumper Assembly, SE (004000–008088)



09909 – ALL

Ref.	Part No.	Serial Number	Description	Qty.
▽	83557	(004000–008088)	Bumper Assy, Se	1
▲	1 70802	(004000–008088)	Leg Wldt, Bumper, Se	2
▲	2 70793	(004000–008088)	Brace Wldt, Bumper, Se	1
▲	3 70815	(004000–008088)	Tube, Cross, Bumper, Se	1
▲	4 83626	(004000–008088)	Bumper Wldt, Se, Rh, Front	1
▲	5 83627	(004000–008088)	Bumper Wldt, Se, Lh, Front	1

Fig. 21 – Bumper Assembly, SE (008089–)



09909 – ALL

Ref.	Serial Number	Description	Qty.
▽	9012884 (008089–)	Bumper Kit, Se, Ci [800I Gray]	1
▲ 1	1073879 (008089–)	Leg Wldt, Bmpr, Se [800 Gray]	2
▲ 2	1073878 (008089–)	Brace Wldt, Bmpr, Se [800 Gray]	1
▲ 3	1073843 (008089–)	Bumper Wldt, Rh [800 Gray]	1
▲ 4	1073929 (008089–)	Bumper Wldt, Se, Rh, Front [Gray]	1
▲ 5	1073950 (008089–)	Bumper Wldt, Se, Lh, Front [Gray]	1

Fig. 22 – Side Brush Lift Group, L.H.

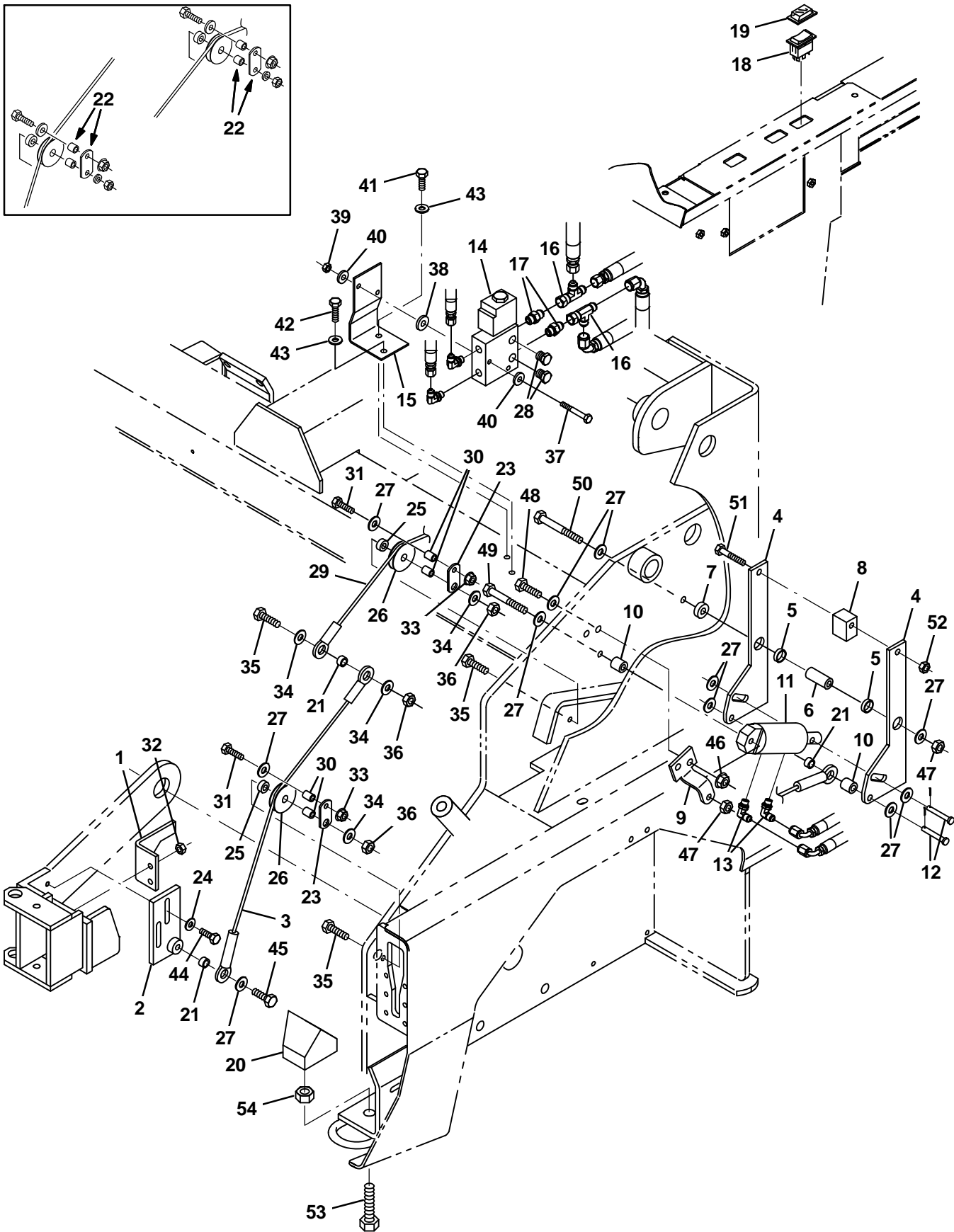


Fig. 22 – Side Brush Lift Group, L.H.

Ref.	Part No.	Serial Number	Description	Qty.
1	77458	(004000–)	Bracket, Angle	1
2	77569	(004000–)	Plate Wldt	1
3	70532	(004000–)	Cable, Glv .25d 021.2l .63eye /.63eye	1
4	77584	(004000–)	Plate	2
5	74090	(004000–)	Bearing	2
6	77597	(004000–)	Sleeve, 0.406B 0.75D1.80 Stl	1
7	77727	(004000–)	Sleeve .438B 1.00D .35Stl	1
8	77459	(004000–)	Spacer	1
9	77783	(004000–)	Plate, Angle	1
10	77600	(004000–)	Sleeve, 0.406B .750D .800Stl	2
11	1041034	(004000–)	Cylinder, Hyd, 1.5b 06.3l 01.50strk 2500	1
12	51813	(004000–)	Pin,Clevis,0.37 Dia.X 2.12 Lg	2
13	77097	(004000–)	Ftg–Hyd E90 Jm04/Om04	4
14	84016	(004000–007338)	Valve, Hyd, Solenoid (See Breakdowns)	1
14	1049211	(007339–)	Valve, Cntrl, Hyd, Solenoid, 12vdc 06gpm (See Break-downs)	1
15	21231	(004000–)	Bracket, Side Brush, Valve	1
16	42215	(004000–)	Fitting, Hyd, Tee, Jf06/Jm06/Jm06, Run	2
17	56690	(004000–)	Ftg–Hyd Str Jm06/Om06	2
18	65561	(004000–)	Switch Rocker Spst	1
19	57807	(004000–)	Cover, Rocker Switch Seal	1
20	77738	(004000–)	Block	1
21	65174	(004000–)	Spacer	3
22	375416	(004000– xxxxxx)	Replacement Kit, Roller, Side Brush Lift	1
23	375415	(xxxxxx–)	Plate, Side Brush, Roller	2
24	41186	(004000–)	Washer–Belleville .31 Pltd	2
25	73737	(004000–)	Sleeve, .375B .75D .32 Stl	2
26	74391	(004000–)	Pulley – Cable, 1.5 Dia	2
27	32492	(004000–)	Flat Washer, 3/8” Hard	14
28	46482	(004000–)	Ftg–Hyd Plg Om06	2
29	23936	(004000–)	Cable, Glv .25d 016.8l .64eye /.64eye	1
30	80395	(xxxxxx–)	Sleeve	4
31	76570	(xxxxxx–)	Screw, Hex m08	2
32	39311	(004000–)	Nut, Hex, Std, M8 X 1.25	1
33	07791	(xxxxxx–)	Nut, Hex, Flange	2
34	33924	(xxxxxx–)	Washer, Flat, M10, Ss	4
35	12317	(xxxxxx–)	Screw, Hex, M10 X 1.50 X 30, Ss	3
36	08714	(xxxxxx–)	Nut, Hex, Lock, M10 X 1.5, NI, Ss	3
37	06548	(004000–)	Screw, Hex, M6 X 1.0 X 60, 8.8	2
38	63416	(004000–)	Washer, Rbr, .12 0.31b 0.88d	2
39	08708	(004000–)	Nut, Hex, Lock, M6 X 1.0, NI	2
40	19066	(004000–)	Washer, Flat, #10	4
41	16931	(004000–)	Screw, Hex, M8 X 1.25 X 20, 8.8	1
42	76570	(004000–)	Screw, Hex, M8 X 1.25 X 30, 8.8	1
43	32491	(004000–)	Washer, Flat, 0.31 Std	2
44	09010	(004000–)	Screw, Hex, M8 X 1.25 X 25, Ss	2
45	39283	(004000–)	Screw, Hex, M10 X 1.5 X 25, 8.8	2
46	07792	(004000–)	Nut, Hex, Flng, M10 X 1.5	2
47	41430	(004000–)	Nut, Hex, Lock, M10 X 1.5, NI	2
48	39284	(004000–)	Screw, Hex, M10 X 1.5 X 35, 8.8	2

Fig. 22 – Side Brush Lift Group, Side, L.H.

Ref.	Part No.	Serial Number	Description	Qty.
49	06965	(004000–) Screw, Hex, M10 X 1.5 X 80, 8.8	1
50	03193	(004000–) Screw, Hex, M10 X 1.5 X 90, 8.8	1
51	06957	(004000–) Screw, Hex, M8 X 1.25 X 60, 8.8	1
52	08709	(004000–) Nut, Hex, Lock, M8 X 1.25, NI	1
53	77752	(004000–) Screw, Hex, M16 X 2.0 X 70, 8.8, FI	1
54	33342	(004000–) Nut, Hex, Lock, M16 X 2.0, NI	1



Fig. 23 – Side Brush Motor Group, L.H.

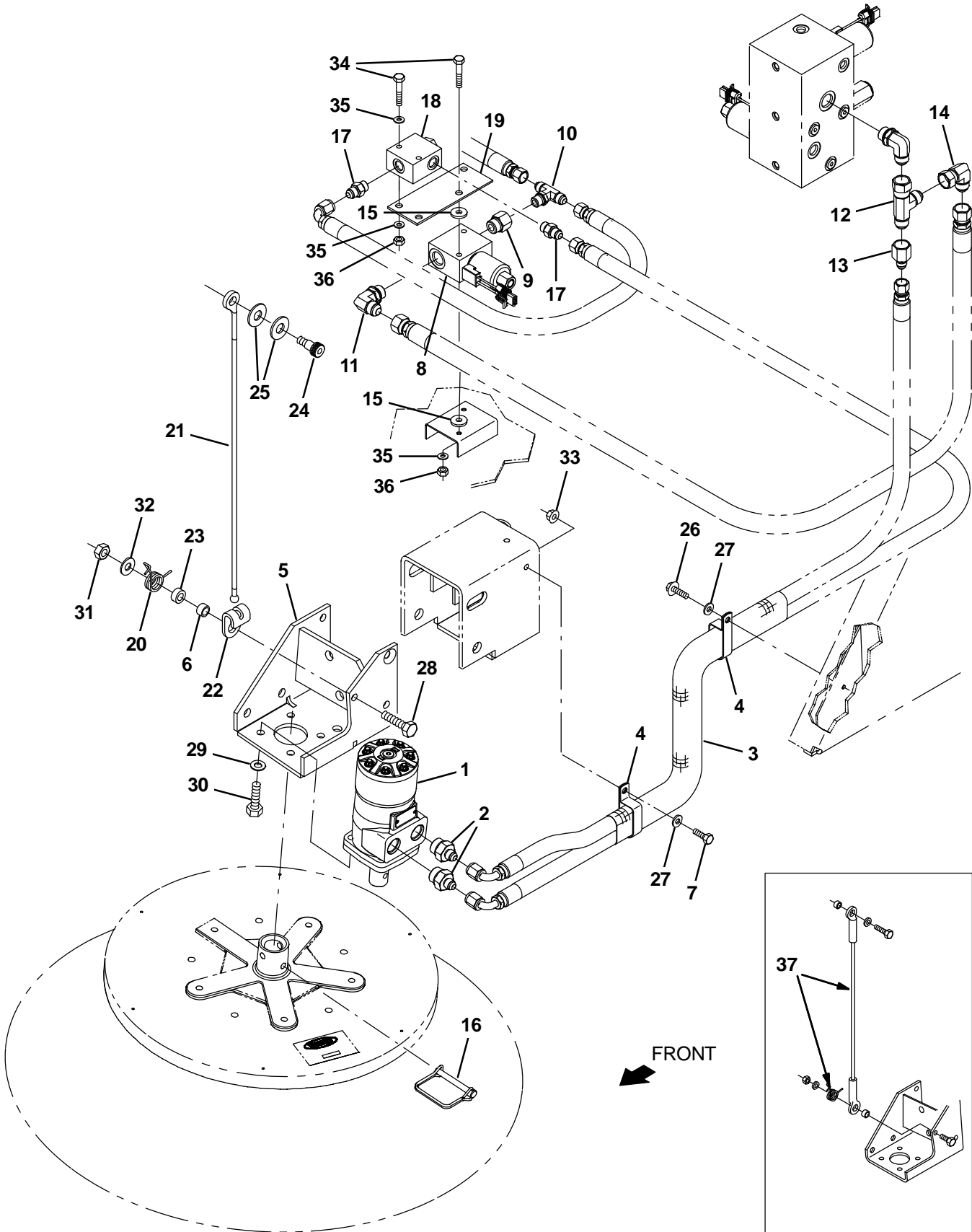


Fig. 23 – Side Brush Motor Group, L.H.

Ref.	Part No.	Serial Number	Description	Qty.
1	79781	(004000–007797)	Motor, Hyd Gear In 17.9 B 1500 (See Breakdowns) (Replaced by 9009502)	1
1	1057338	(007798–)	Motor, Hyd, Gear, Int 17.9 Bi–Dir 2500	1
2	47508	(004000–)	Ftg–Hyd StrJm06/Om10	2
3	76461	(004000–)	Sleeve, Nylon #27 55.OI	1
4	67366	(004000–)	Clamp, Cable, Stl, 1.0x2.0x0.62w, 1hole	2
5	75142	(004000–008088)	Bracket, Mounting, Motor	1
5	1073921	(008089–)	Bracket Wldt, Mtg, Motor [Gray]	1
6	65174	(004000–)	Tube, 0.44id 0.62od 00.4I, Stl	1
7	06944	(004000–)	Screw, Hex, M6 X 1.0 X 25, 8.8	1
8	84015	(004000–007338)	Valve–Hyd, Solenoid (See Breakdowns)	1
8	1049210	(007339–)	Valve, Cntrl, Hyd, Solenoid, 12vdc 12gpm (See Break- downs)	1
9	47637	(004000–)	Ftg–Hyd Str Om08/Of06	1
10	67683	(004000–)	Ftg–Hyd Tee Jm06Omjm	1
11	44868	(004000–)	Ftg–Hyd E90 Jm08/Om08	1
12	45482	(004000–)	Ftg–Hyd Tee Jm08Jmjf	1
13	47753	(004000–)	Ftg–Hyd Str Jm06/Jf08	1
14	17980	(004000–)	Ftg–Hyd E90 Jm08/Jf08	1
15	63416	(004000–)	Washer, .310B .88D .12Rbr	4
16	84581	(004000–)	Pin Assy, .312X3.0 W/Lanyard	1
17	56690	(004000–)	Ftg–Hyd Str Jm06/Om06	2
18	79621	(004000–)	Check Valve, 100 Psi	1
19	79622	(004000–008088)	Plate, Mtg, Check Valve	1
19	1073928	(008089–)	Plate, Mtg, Check Valve [Gray]	1
20	375403	(004000–)	Spring, Torsion	1
21	375401	(xxxxxx–)	Cable	1
22	1017898	(xxxxxx–)	Hook, Cable, .44d Ball	1
23	375404	(xxxxxx–)	Spacer	1
24	36758	(xxxxxx–)	Bolt, Shld, .50d X 0.50, .38–16	1
25	32486	(xxxxxx–)	Washer, Flat	2
26	12459	(004000–)	Screw, Hex, M6 X 1.0 X 20, Fmg	1
27	41185	(004000–)	Washer, Belleville, .25	2
28	39284	(004000–)	Screw, Hex, M10 X 1.5 X 35, 8.8	1
29	32485	(004000–)	Washer, Flat, 0.38 Sae	4
30	34195	(004000–)	Screw, Hex, .38–16 X 1.00, NI	4
31	41430	(004000–)	Nut, Hex, Lock, M10 X 1.5, NI	1
32	32492	(004000–)	Washer, Flat, 0.38 Std	1
33	07790	(004000–)	Nut, Hex, Flng, M6 X 1.00	1
34	06548	(004000–)	Screw, Hex, M6 X 1.00 X 60, 8.8	4
35	32490	(004000–)	Washer, Flat, 0.25, Std	6
36	08708	(004000–)	Nut, Hex, Lock, M6 X 1.00, NI	4
37	375417	(004000– xxxxxx)	Cable Kit, Brush, Side, Lh, Ci [800I]	1

Fig. 24 – Side Brush Pivot Group, L.H.

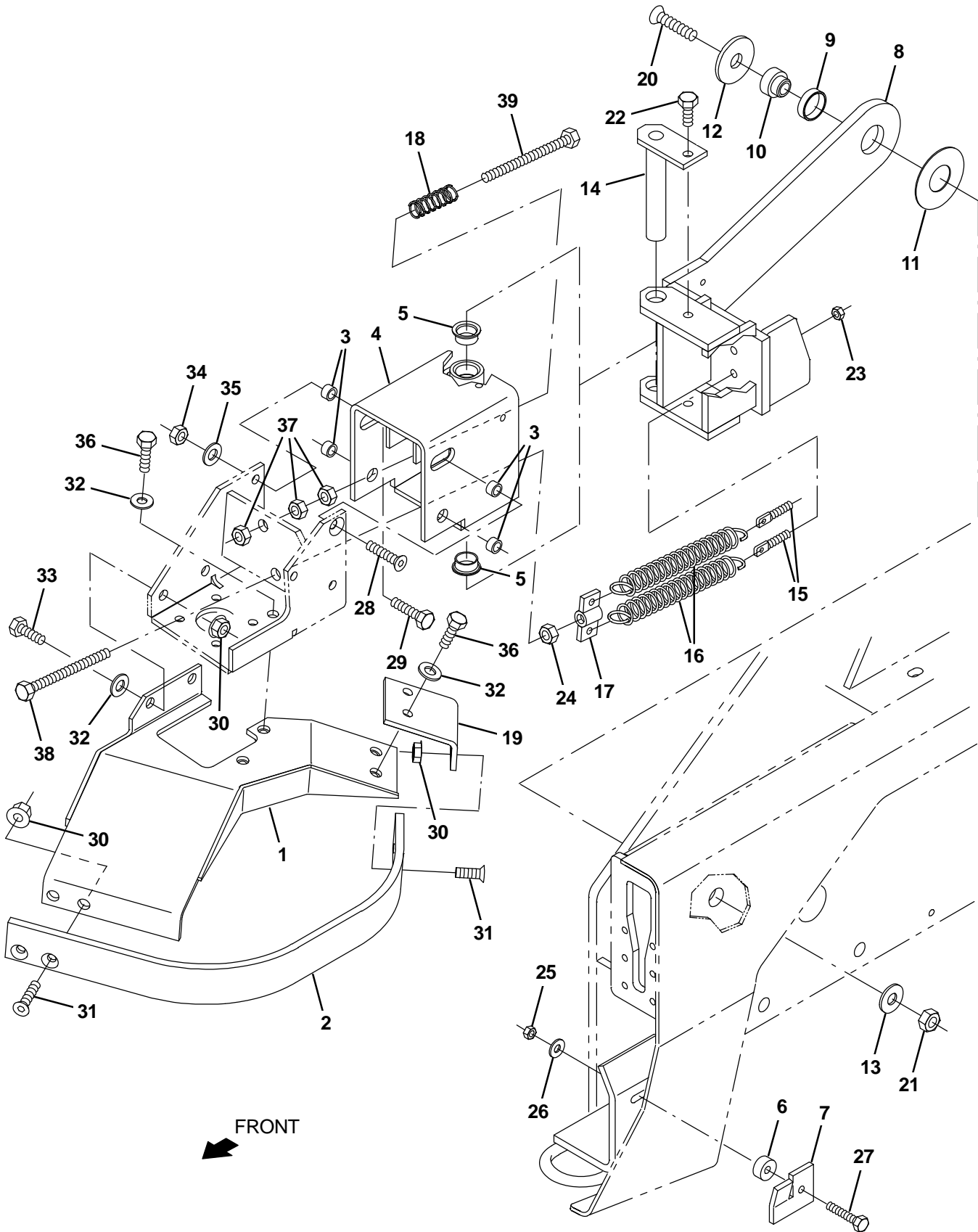
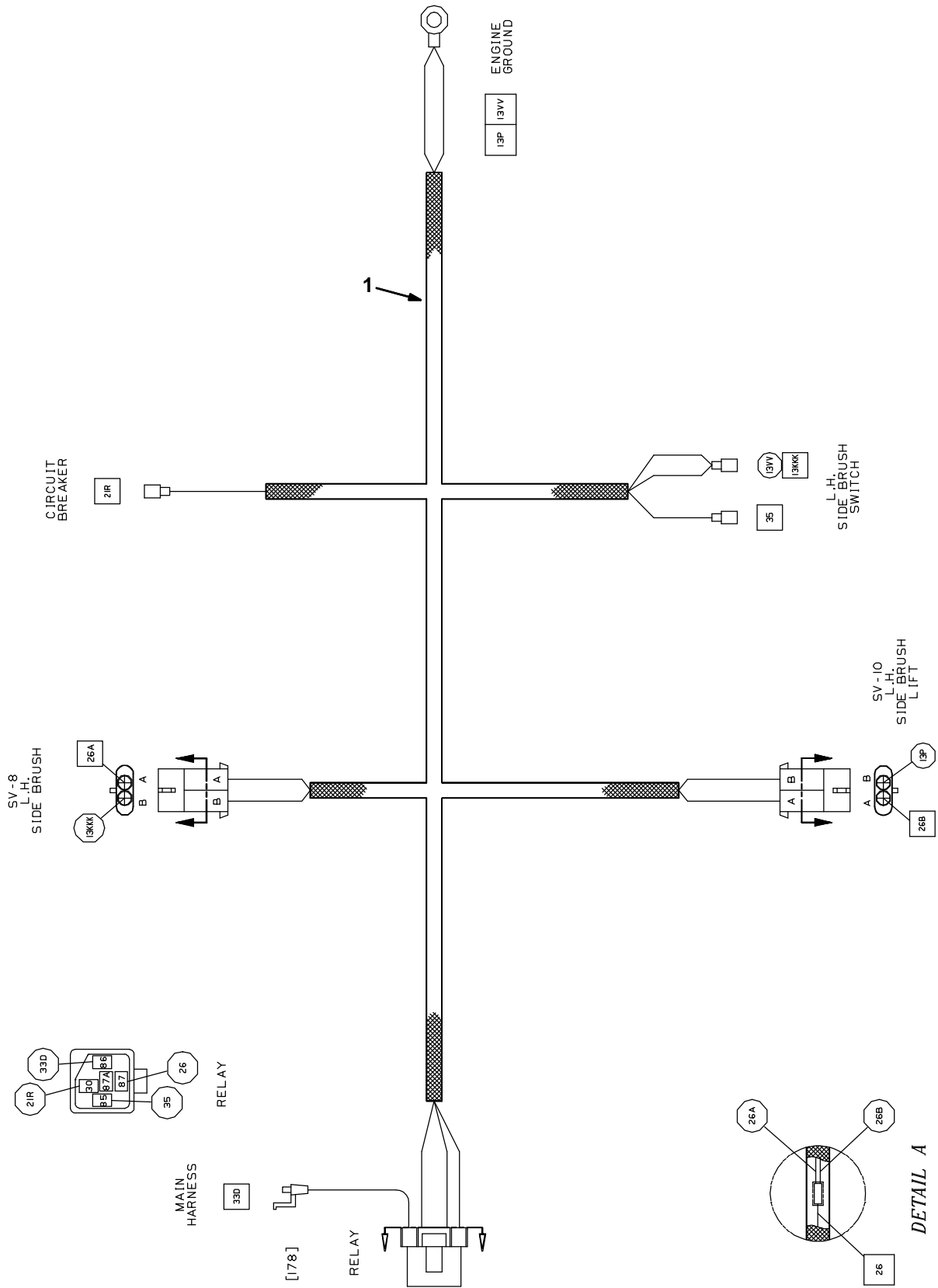


Fig. 24 – Side Brush Pivot Group, L.H.

Ref.	Part No.	Serial Number	Description	Qty.
1	21250	(004000–008088)	Guard Wldt, Sidebrush	1
1	1073938	(008089–)	Guard Wldt, Brush, Side [800 Gray]	1
2	21252	(004000–008088)	Guard, Side Brush	1
2	1073889	(008089–)	Guard, Side, Brush [800 Gray]	1
3	65174	(004000–)	Tube, 0.44id 0.62od 00.4l, Stl	4
4	75099	(004000–008088)	Bracket Wldt, Pivot	1
4	1073912	(008089–)	Bracket Wldt, Pivot [Gray]	1
5	04761	(004000–)	Bearing, Flange .875 Bore	2
6	74059	(004000–)	Spacer	1
7	75899	(004000–008088)	Bracket, Angle	1
7	1074295	(008089–)	Bracket, Channel, Mtg [800 Gray]	1
8	75117	(004000–008088)	Bracket Wldt, Lift	1
8	1073913	(008089–)	Bracket Wldt, Lift [Gray]	1
9	70627	(004000–)	Bearing	1
10	70526	(004000–)	Shaft, Pivot	1
11	70524	(004000–)	Washer, Flat, 1.30b 3.00d .06, Stl	1
12	70525	(004000–)	Washer, Flat, 0.71b 2.25d .19, Stl, Csk	1
13	36328	(004000–)	Washer, Flat, Belleville, .50	1
14	70431	(004000–)	Pin	1
15	70626	(004000–)	Bolt–Eye M8–1.25	2
16	65160	(004000–)	Spring, Extension	2
17	65173	(004000–008088)	Bracket, Spring	1
17	1074290	(008089–)	Bracket, Spring [Gray]	1
18	65180	(004000–)	Spring, Comp	1
19	21251	(004000–008088)	Plate, Angle	1
19	1074294	(008089–)	Bracket, Angle, Mtg, Guard, Side Brush	1
20	20192	(004000–)	Screw, Flt, Soc, .50–13 X 2.00, Al	1
21	32985	(004000–)	Nut, Hex, Lock, .50–13, NI	1
22	09291	(004000–)	Screw, Hex, M10 X 1.5 X 20, Ss	1
23	39311	(004000–)	Nut, Hex, Std, M8 X 1.25	2
24	39312	(004000–)	Nut, Hex, Std, M10 X 1.5	1
25	08709	(004000–)	Nut, Hex, Lock, M8 X 1.25, NI	1
26	32491	(004000–)	Washer, Flat, 0.31, Std	1
27	41342	(004000–)	Screw, Hex, M8 X 1.25 X 40, 8.8	1
28	06535	(004000–)	Screw, Flt, M10 X 1.5 X 35, 10.9	1
29	39284	(004000–)	Screw, Hex, M10 X 1.5 X 35, 8.8	2
30	07792	(004000–)	Nut, Hex, Flng, M10 X 1.5	6
31	09081	(004000–)	Screw, Flt, M10 X 1.5 X 25, 10.9	4
32	32485	(004000–)	Washer, Flat, 0.38 Sae	5
33	39283	(004000–)	Screw, Hex, M10 X 1.5 X 25, 8.8	2
34	41430	(004000–)	Nut, Hex, Lock, M10 X 1.5, NI	4
35	32492	(004000–)	Washer, Flat, 0.38 Std	7
36	09770	(004000–)	Screw, Hex, M10 X 1.5 X 25, Ss, NI	2
37	07787	(004000–)	Nut, Hex, Std, M10 X 1.5, Ss	3
38	76438	(004000–)	Screw, Hex, M10 X 1.5 X 90, 8.8, FI	1
39	06537	(004000–)	Screw, Hex, M10 X 1.50 X 120, 8.8, FI	1

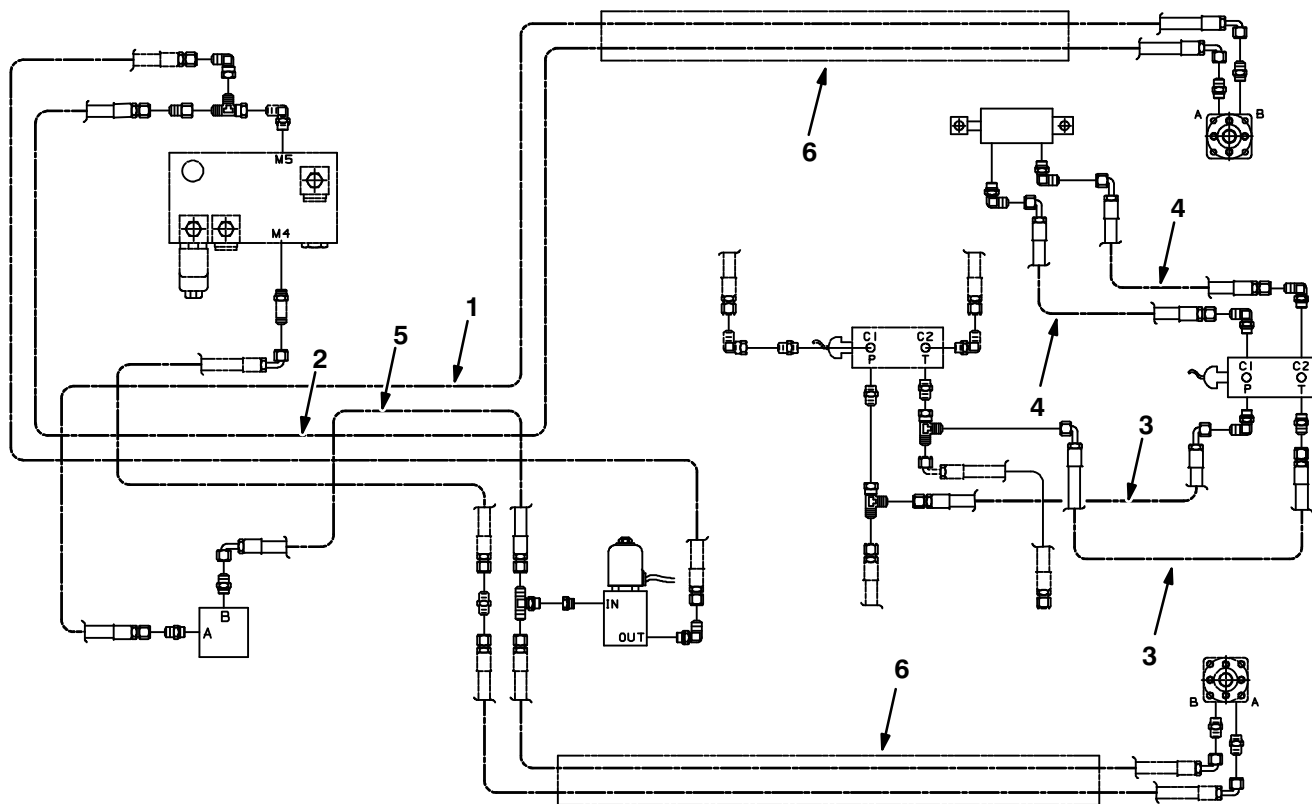
Fig. 25 – Side Brush Wire Harness Group, L.H.



10501 – ALL

Ref.	Part No.	Serial Number	Description	Qty.
1	83699	(004000–)	Harness, Side Brush, L.H.	1

Fig. 26 – Side Brush Hydraulic Hose Group, L.H.



08763 – 800

Ref.	Part No.	Serial Number	Description	Qty.
1	76684	(004000–)	Hose–Hyd Med 06	1
2	65194	(004000–)	Hose, Hyd, Med06, Jf06e90/Jf06str, 072.0	1
3	78998	(004000–)	Hose–Hyd Med 06	2
4	57963	(004000–)	Hose–Hyd Med 04	2
5	01999	(004000–)	Hose–Hyd Med 06	1
6	76461	(004000–)	Sleeve, Nyl, #27 55.0l	2

Fig. 27 – Side Brush Light Kit, (004000-008088)

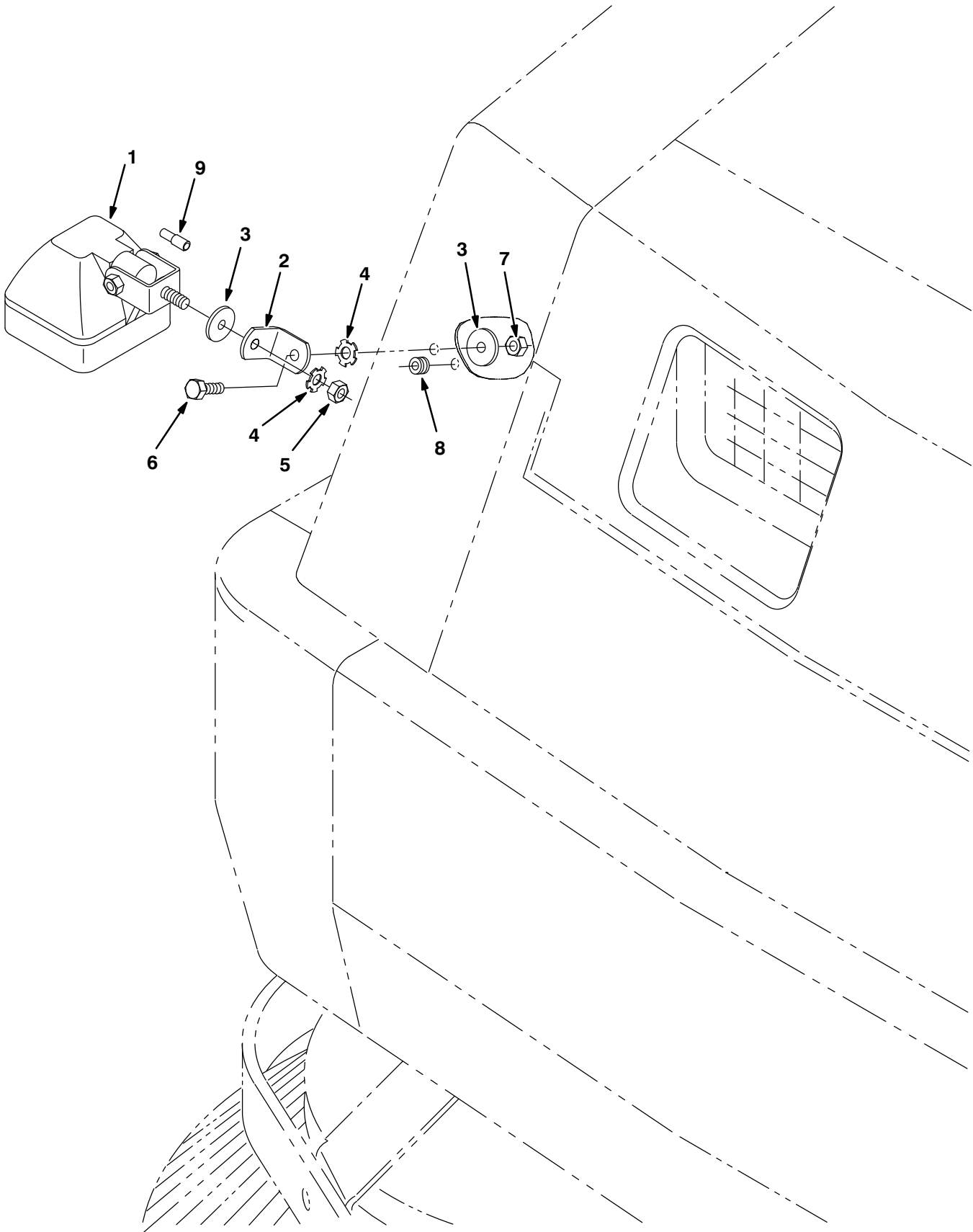


Fig. 27 – Side Brush Light Kit, (004000–008088)

	Ref.	Part No.	Serial Number	Description	Qty.
▽		70699	(004000–008088)	Light Kit, Side Brush	1
▲▽	1	382979	(004000–008088)	Light, Spot, 12VDC 55w	1
▲▲		393770	(004000–008088)	Lamp, 12VDC 55w	1
▲	2	76385	(004000–008088)	Bracket, Angle	1
▲	3	30013	(004000–008088)	Washer, Flat, 0.31 Fender	1
▲	4	41141	(004000–008088)	Washer–Loc Int–Ext .31 Pltd	2
▲	5	32960	(004000–008088)	Nut, Hex, Lock, .31–24, NI	1
▲	6	16931	(004000–008088)	Screw, Hex, M08 X 1.25 X 20, 8.8	1
▲	7	08709	(004000–008088)	Nut, Hex, Lock, M08 X 1.25,NI	1
▲	8	10632–5	(004000–008088)	Grommet Rbr 0.25ld For .09Matl	1
▲	9	32668	(004000–008088)	Connector, Ele, Plug, Femal, .156d	1

Fig. 28 – Side Brush Light Kit, (008089-)

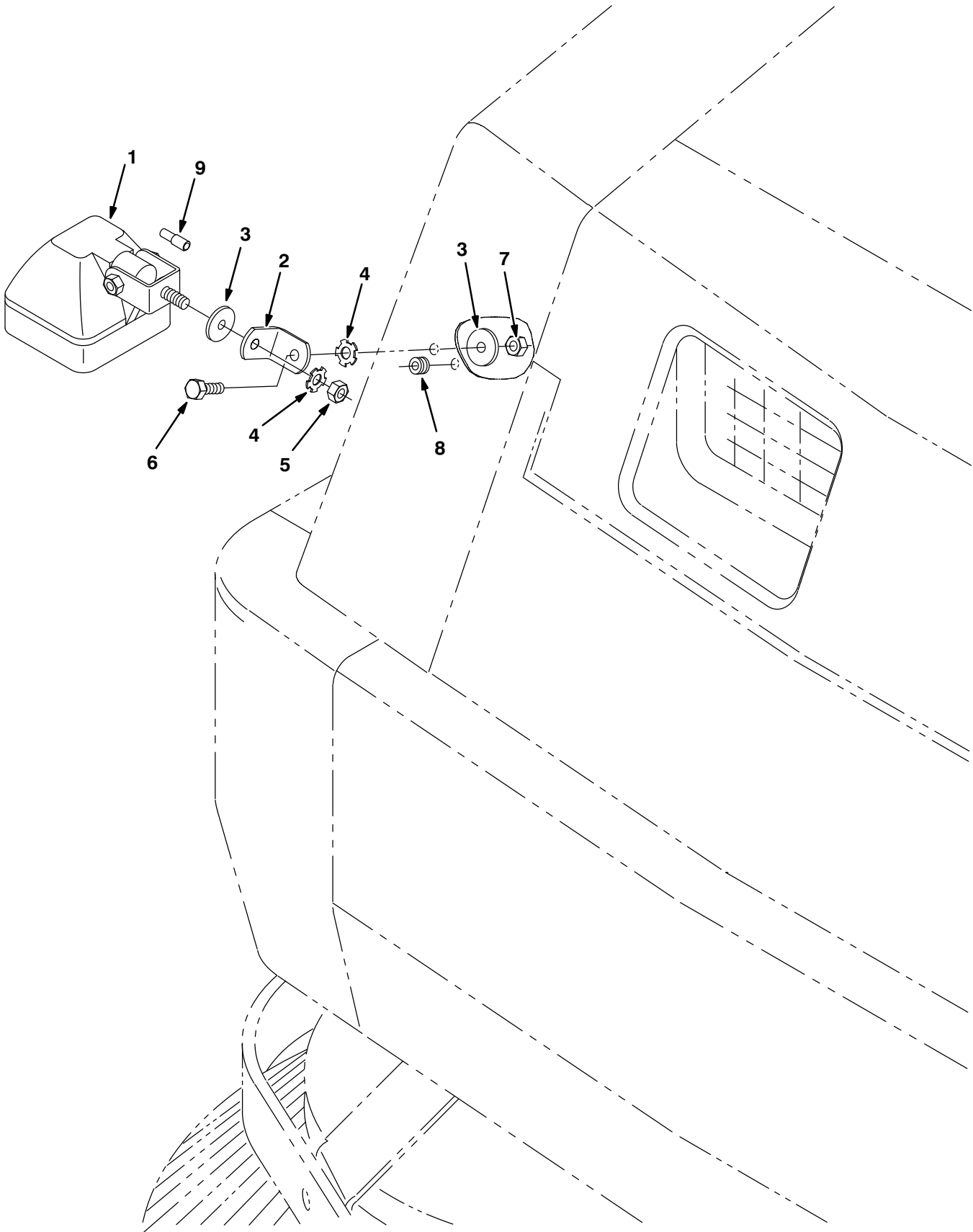


Fig. 28 – Side Brush Light Kit, (008089–)

	Ref.	Part No.	Serial Number	Description	Qty.
▽		9012891	(008089–)	Light Kit, Brush, Side, Ci [800gray]	1
▲▽	1	382979	(008089–)	Light, Spot, 12VDC 55w	1
▲▲		393770	(008089–)	Lamp, 12VDC 55w	1
▲	2	1073927	(008089–)	Bracket, Angle [Gray]	1
▲	3	30013	(008089–)	Washer, Flat, 0.31 Fender	1
▲	4	41141	(008089–)	Washer–Loc Int–Ext .31 Pltd	2
▲	5	32960	(008089–)	Nut, Hex, Lock, .31–24, NI	1
▲	6	16931	(008089–)	Screw, Hex, M08 X 1.25 X 20, 8.8	1
▲	7	08709	(008089–)	Nut, Hex, Lock, M08 X 1.25,NI	1
▲	8	10632–5	(008089–)	Grommet Rbr 0.25ld For .09Matl	1
▲	9	32668	(008089–)	Connector, Ele, Plug, Femal, .156d	1

Fig. 29 – Cab Kit

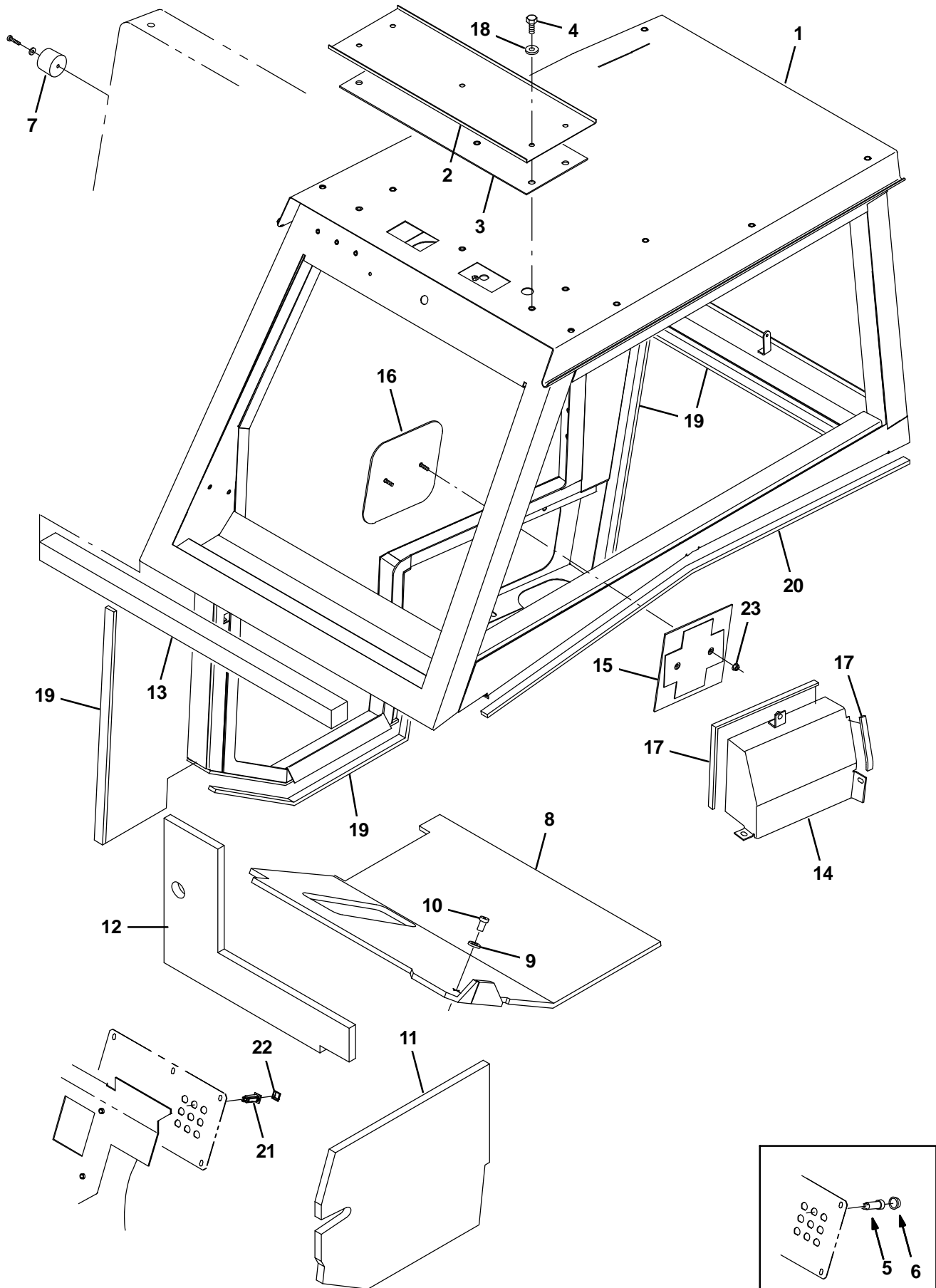


Fig. 29 – Cab Kit

NOTE: The Cab kit, TENNANT Part Number 380601 is for machines serial number 008088 and below and includes Fig. 29, Fig. 30 and Fig. 32.

NOTE: The Cab kit, TENNANT Part Number 9012866 is for machines serial number 008089 and above and includes Fig. 29, Fig. 31, and Fig. 32.

Ref.	Part No.	Serial Number	Description	Qty.
1	9007651	(004000–008088)	Cab Assy, Oprtr [800] (See Breakdowns)	1
1	9012887	(008089–)	Cab Assy, Oprtr [800 Gray]	1
2	380634	(004000–008088)	Cover, Cab Pressurizer	1
2	1073908	(008089–)	Cover, Pressrzt, Cab [Gray]	1
3	380635	(004000–)	Gasket, Cab Pressurizer	1
4	06943	(004000–)	Screw, Hex, M6 X 1.00 X 20, 8.8	4
5	57803	(004000–007289)	Breaker–Circuit, 15 Resetable	1
6	57751	(004000–007289)	Boot, Circuit Breaker	1
7	44851	(004000–)	Bumper, Rubber	1
8	76522	(004000–)	Tread, Rubber	1
9	41178	(004000–)	Washer–Flt .25 Fender	1
10	21246	(004000–)	Rivet, Plastic	1
11	77652	(004000–)	Insulation, Acstc, Side, Lower, .8t	1
12	76516	(004000–)	Insulation, Acstc, Front, Lower	1
13	1068383	(004000–)	Seal, Foam, 2.00 2.00w 37.0l, Adh	1
14	70620	(004000–008088)	Cover Wldt, Fuel Inlet	1
14	1073870	(008089–)	Cover Wldt, Fuel Inlet [800 Gray]	1
15	70785	(004000–)	Plate Wldt, Inlet, Fuel (LPG Only)	1
16	70788	(004000–008088)	Cover Wldt, Inlet, Fuel (LPG Only)	1
16	1073873	(008089–)	Cover, Cab, Lpg [800 Gray]	1
17	1015224	(004000–)	Seal, Afmkt, Ure, Adh, 0.38, 0.75w 01ft	2
18	32490	(004000–)	Washer, Flat, 0.25, Std	4
19	1015184	(004000–)	Seal, Afmkt, Ure, Adh, 0.50, 1.00w 03ft	6
20	1015182	(004000–)	Seal, Afmkt, Ure, Adh, 0.50, 1.00w 08ft	1
21	1064188	(007290–)	Circuitbreaker, 15A, Resetable	1
22	1064191	(007290–)	Boot, Circuitbreaker	1
23	07790	(004000–)	Nut, Hex, Flng, M6 X 1.00	2

Fig. 30 – Cab Mirror Kit (004000–008088)

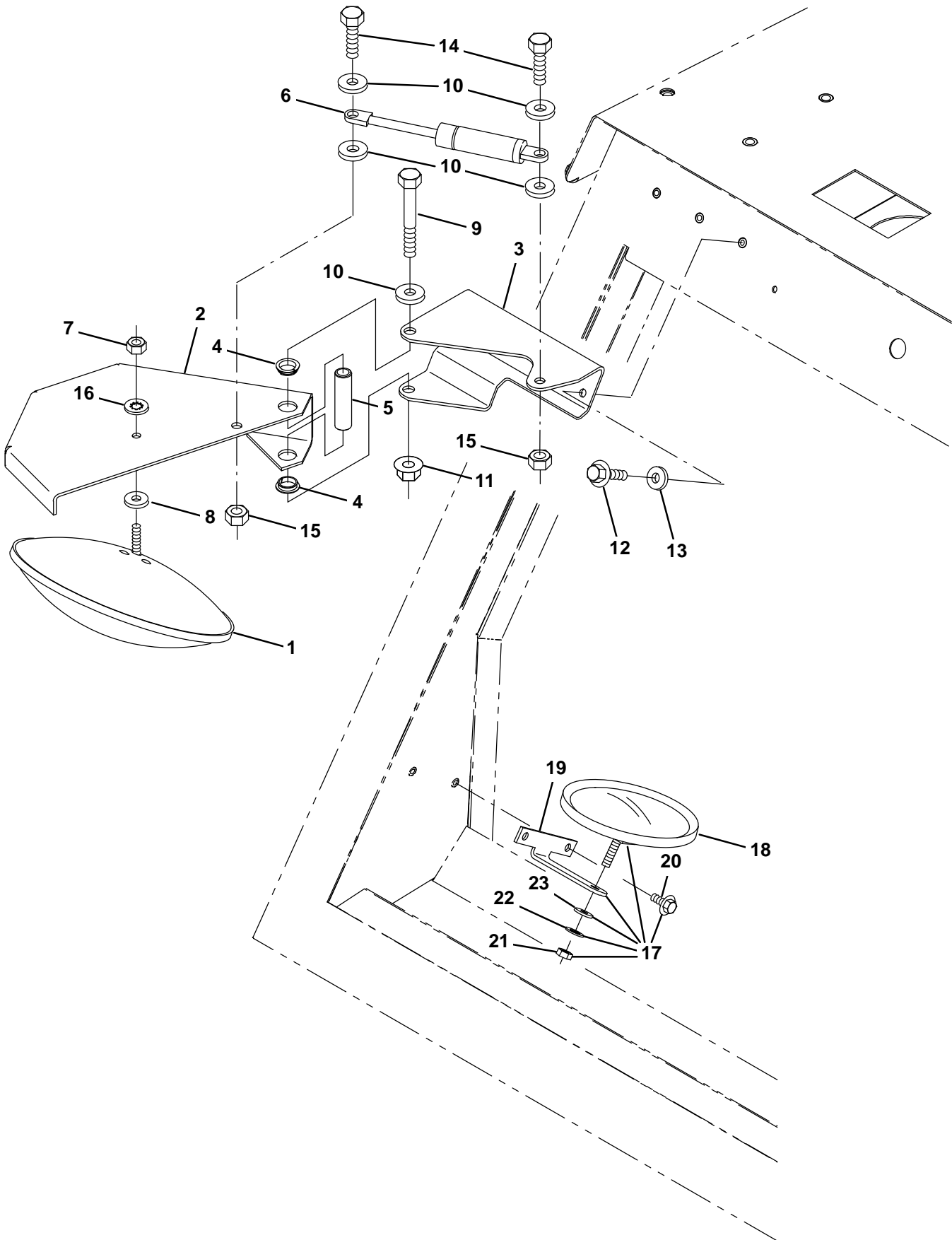


Fig. 30 – Cab Mirror Kit (004000–008088)

NOTE: The Cab kit, TENNANT Part Number 380601 is for machines serial number 008088 and below and includes Fig. 29, Fig. 30 and Fig. 32.

	Ref.	Part No.	Serial Number	Description	Qty.
▽		76898	(004000–008088)	Mirror Kit, Side Brush	1
▲	1	68445	(004000–008088)	Mirror,8.0 Round,Convex	1
▲	2	75881	(004000–008088)	Guard, Mirror	1
▲	3	1061949	(004000–008088)	Bracket, Mirror, Mtg	1
▲	4	41434	(004000–008088)	Bshg,Flange,0.62Bx0.68Od,Nylon	2
▲	5	70761	(004000–008088)	Tube, 0.62D .44B 2.44, Stl	1
▲	6	12549	(004000–008088)	Spring, Gas 80 Lb	1
▲	7	01691	(004000–008088)	Nut, Hex, Std, .31–18, Ss	1
▲	8	01685	(004000–008088)	Washer, Flat, 0.38b 0.88d .08, Ss	1
▲	9	03193	(004000–008088)	Screw, Hex, M10 X 1.50 X 90, 8.8	1
▲	10	32492	(004000–008088)	Washer, Flat, 0.38, Std	1
▲	11	07792	(004000–008088)	Nut, Hex, Flng, M10 X 1.50	1
▲	12	76099	(004000–008088)	Screw, Hex, M8 X 1.25 X 25, Fmg	3
▲	13	32491	(004000–008088)	Washer, Flat, 0.31, Std	3
▲	14	21195	(004000–008088)	Screw, Hex, .38–16 X 0.75, G5	2
▲	15	50902	(004000–008088)	Nut, Hex, Lock, .38–16, NI	2
▲	16	43952	(004000–008088)	Washer, Lock, Int, 0.31, Ss	1
▲▽	17	369786	(004000–008088)	Mirror Assembly	1
▲▲	18	1050295	(004000–008088)	Mirror, Convex, 0.50d	1
▲▲	19	49032	(004000–008088)	Bracket, Mtg, Mirror	1
▲▲	20	74455	(004000–008088)	Screw, Hex m06	2
▲▲	21	01691	(004000–008088)	Nut, Hex, Std, .31–18, Ss	1
▲▲	22	43952	(004000–008088)	Washer, Lock, Int, 0.31 Ss	1
▲▲	23	01685	(004000–008088)	Washer, Flat, 0.31 Ss	1

Fig. 31 – Cab Mirror Kit (008089-)

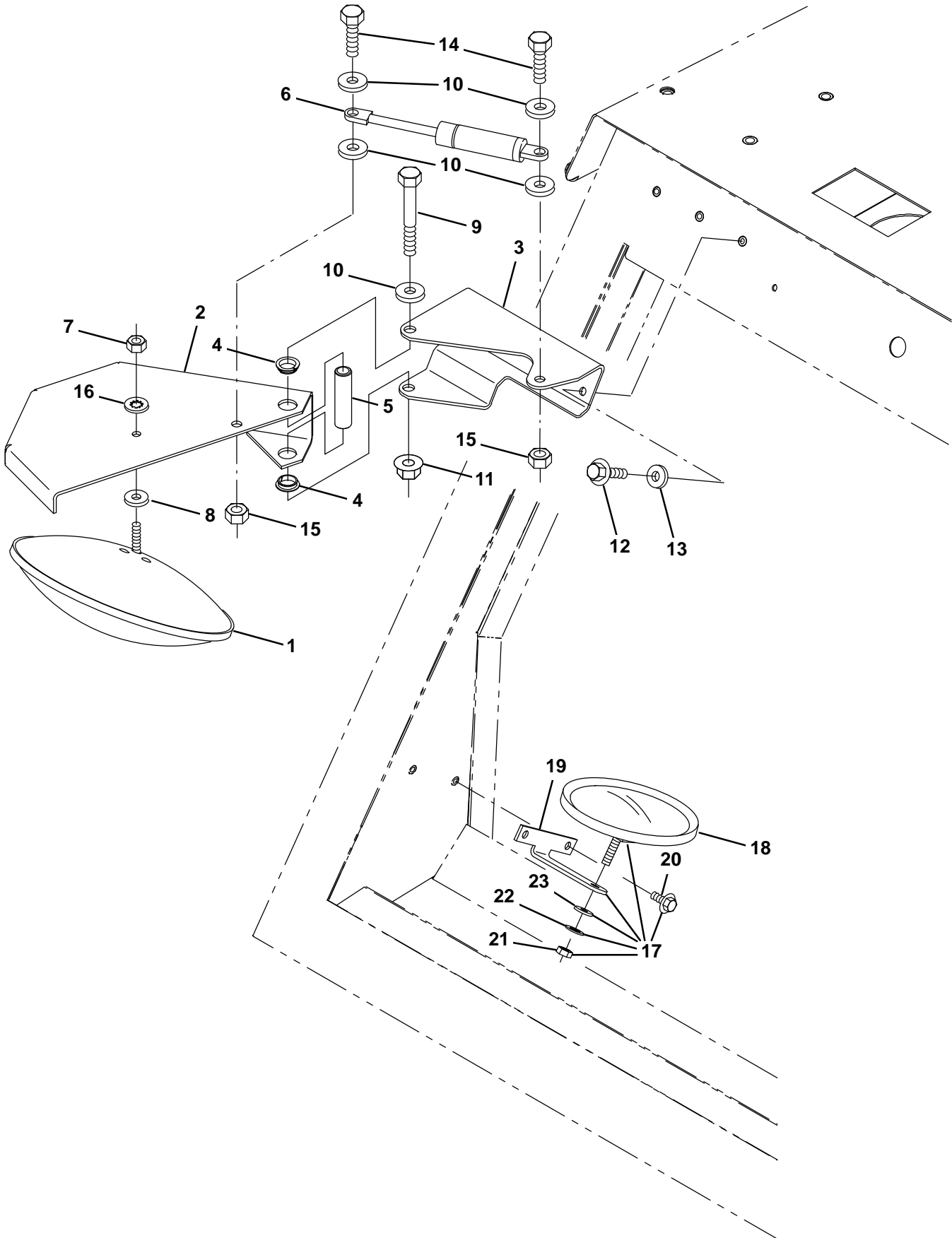


Fig. 31 – Cab Mirror Kit (008089–)

NOTE: The Cab kit, TENNANT Part Number 9012866 is for machines serial number 008089 and above and includes Fig. 29, Fig. 31, and Fig. 32.

	Ref.	Part No.	Serial Number	Description	Qty.
▽		9012869	(008089–)	Mirror Kit, Brush, Side, Cab, Ci[800lgr]	1
▲	1	68445	(008089–)	Mirror,8.0 Round,Convex	1
▲	2	1073925	(008089–)	Guard, Mirror [Gray]	1
▲	3	1073932	(008089–)	Bracket, Mtg, Mirror [800 Gray]	1
▲	4	41434	(008089–)	Bshg,Flange,0.62Bx0.68Od,Nylon	2
▲	5	70761	(008089–)	Tube, 0.62D .44B 2.44, Stl	1
▲	6	12549	(008089–)	Spring, Gas 80 Lb	1
▲	7	01691	(008089–)	Nut, Hex, Std, .31–18, Ss	1
▲	8	01685	(008089–)	Washer, Flat, 0.38b 0.88d .08, Ss	1
▲	9	03193	(008089–)	Screw, Hex, M10 X 1.50 X 90, 8.8	1
▲	10	32492	(008089–)	Washer, Flat, 0.38, Std	1
▲	11	07792	(008089–)	Nut, Hex, Flng, M10 X 1.50	1
▲	12	76099	(008089–)	Screw, Hex, M8 X 1.25 X 25, Fmg	3
▲	13	32491	(008089–)	Washer, Flat, 0.31, Std	3
▲	14	21195	(008089–)	Screw, Hex, .38–16 X 0.75, G5	2
▲	15	50902	(008089–)	Nut, Hex, Lock, .38–16, NI	2
▲	16	43952	(008089–)	Washer, Lock, Int, 0.31, Ss	1
▲▽	17	369786	(008089–)	Mirror Assembly	1
▲▲	18	1050295	(008089–)	Mirror, Convex, 0.50d	1
▲▲	19	1073867	(008089–)	Bracket, Mtg, Mirror, Rearview[800 Gray]	1
▲▲	20	74455	(008089–)	Screw, Hex m06	2
▲▲	21	01691	(008089–)	Nut, Hex, Std, .31–18, Ss	1
▲▲	22	43952	(008089–)	Washer, Lock, Int, 0.31 Ss	1
▲▲	23	01685	(008089–)	Washer, Flat, 0.31 Ss	1

Fig. 32 – Cab Seals Group

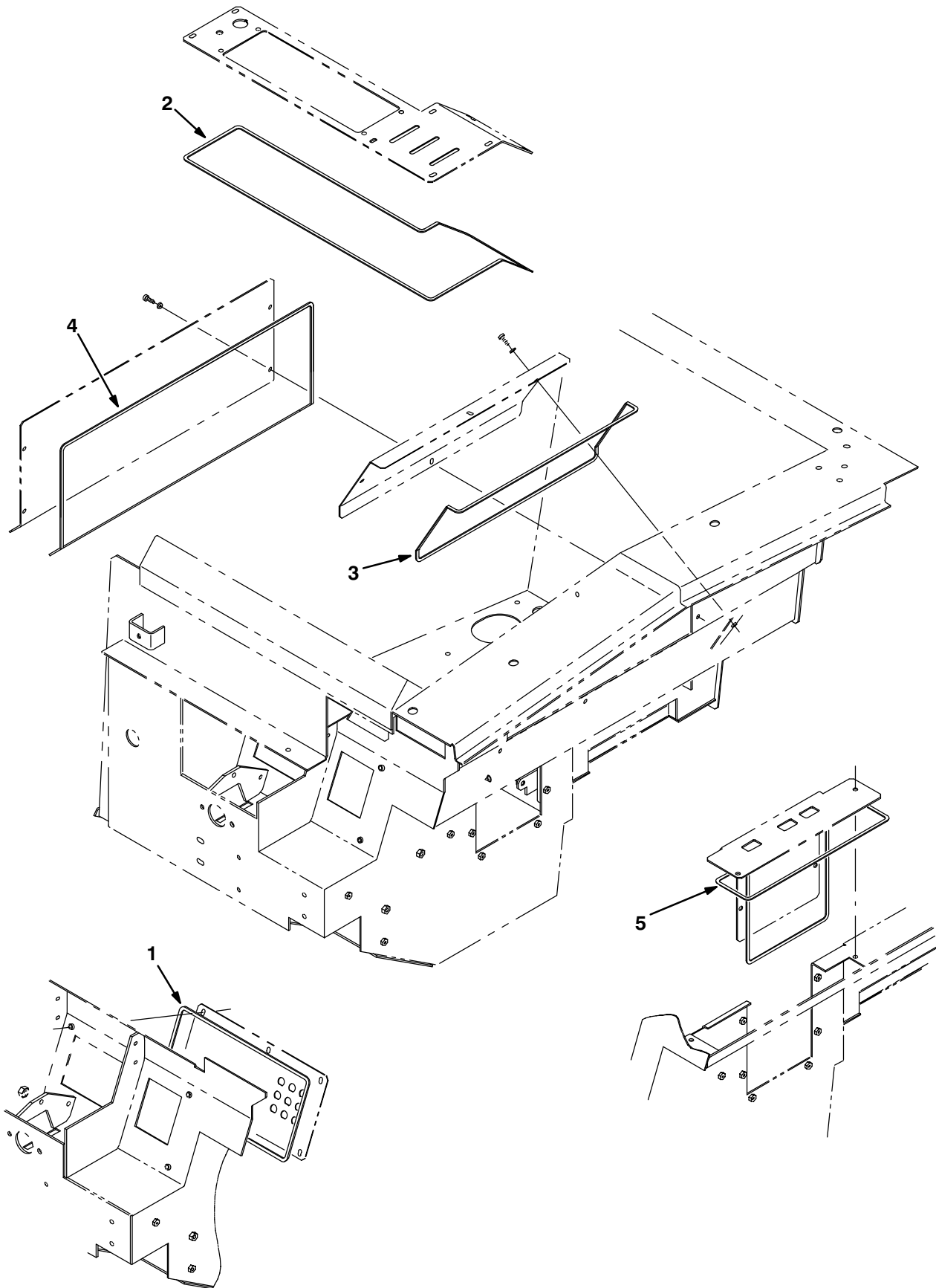


Fig. 32 – Cab Seals Group

NOTE: The Cab kit, TENNANT Part Number 380601 is for machines serial number 008088 and below and includes Fig. 29, Fig. 30 and Fig. 32.

NOTE: The Cab kit, TENNANT Part Number 9012866 is for machines serial number 008089 and above and includes Fig. 29, Fig. 31, and Fig. 32.

Ref.	Part No.	Serial Number	Description	Qty.
1	1021969	(004000–)	Seal, Foam, .06t .25w 42.0l	1
2	1021968	(004000–)	Seal, Foam, .06t .25w 84.0l	1
3	1021937	(004000–)	Seal, Foam, .06t .25w 54.0l	1
4	1021966	(004000–)	Seal, Foam, .06t .25w 76.0l	1
5	1021951	(004000–)	Seal, Foam, .06t .25w 34.0l	1

Fig. 33 – Cab AC and Heater Box Group, Ford

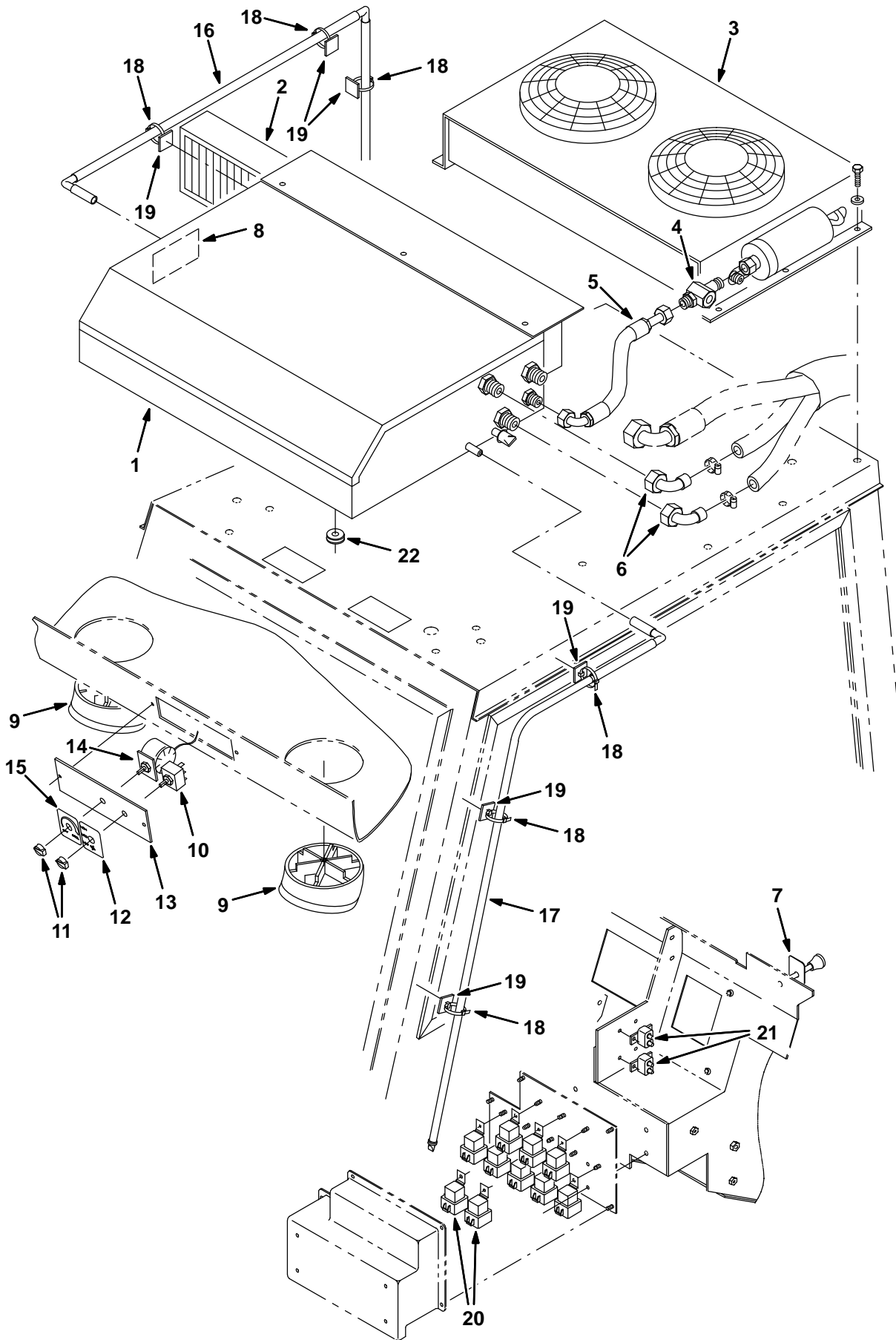


Fig. 33 – Cab AC and Heater Box Group, Ford

NOTE: AC/Heater kit, TENNANT Part Number 380574 includes Fig. 33, Fig. 34, and Fig. 35.

	Ref.	Part No.	Serial Number	Description	Qty.
▽		380576	(004000–004936)	Heater & A/C, W/ Fan, Roof	1
▲	1	380613	(004000–004936)	Box Assy, Heater, A/C (See Breakdowns)	1
▲	2	380689	(004000–004936)	Filter, Panel, Heat–A/C	1
▲	3	380625	(004000–004936)	Condenser, A/C, Roof (See Breakdowns)	1
▲	4	380630	(004000–004936)	Gauge, Sight, A/C	1
▲	5	380684	(004000–004936)	Hose, A/C, 06 09.0l	1
▲	6	380615	(004000–004936)	Fitting, Elbow	2
▲	7	380663	(004000–004936)	Label, Opertnl, Pull Heat	1
▲	8	380673	(004000–004936)	Label, Caution	1
▲	9	380617	(004000–004936)	Louver, Adj, Heat–A/C	2
▲	10	380619	(004000–004936)	Switch, 3 Pos, Blower, Heat	1
▲	11	380661	(004000–004936)	Knob, Rnd, Control, Heat–A/C	2
▲	12	380662	(004000–004936)	Label, Opertnl, Fan, Hi/Med/Low	1
▲	13	380690	(004000–004936)	Plate, Mtg, Switch, A/C	1
▲	14	380624	(004000–004936)	Switch, Thermo, A/C	1
▲	15	380665	(004000–004936)	Label, Opertnl, Temp	1
▲	16	374134	(004000–004936)	Hose Assy, Drain, A/C	1
▲	17	374135	(004000–004936)	Hose Assy, Drain, A/C	1
▲	18	49266	(004000–004936)	Tie, Cable, Nyl, 07.3l .19w 1.8 Max D	10
▲	19	55248	(004000–004936)	Mount, Cable Tie	10
	20	56186	(004000–004936)	Relay, 12vdc, 40a, Spdt N/O	2
	21	374210	(004000–004936)	Circuitbreaker, 20.0a, Thermal	2
	22	77811	(004000–004936)	Grommet, Cab, Harness, Wire	1

Fig. 34 – Cab AC and Heater Hose Group, Ford

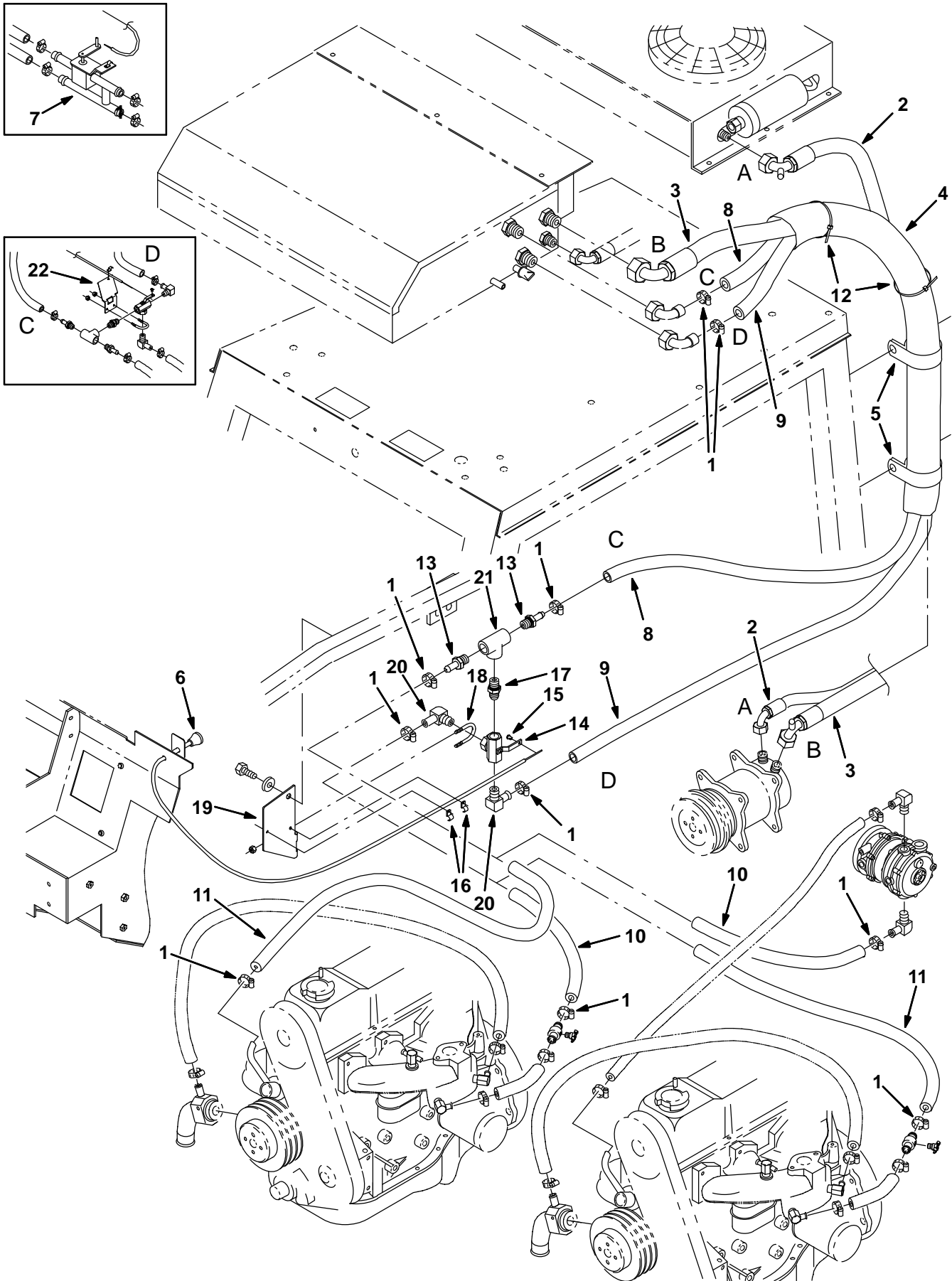


Fig. 34 – Cab AC and Heater Hose Group, Ford

NOTE: AC/Heater kit, TENNANT Part Number 380574 includes Fig. 33, Fig. 34, and Fig. 35.

Ref.	Part No.	Serial Number	Description	Qty.
1	63810	(004000–004936)	Clamp, Hose, Wormdrive, 0.56–1.06d	8
2	380685	(004000–004936)	Hose, A/C, 08 100.0l [R134]	1
3	380686	(004000–004480)	Hose, A/C, 12 107.0l [R134]	1
3	375751	(004481–004936)	Hose, A/C, 12 115.0l [R134]	1
4	375512	(004000–004936)	Sleeve, Nyl, #33 65.0l	1
5	41016	(004000–004936)	Clamp, Cable, Stl, 2.25d X 1.00w, 1h	1
6	43558A	(004000–004936)	Cable, Cntrl, Choke, 85/90l 1.4d Knob	1
7	380618	(004000–004374)	Valve, Water, Heater, H, 10bm	1
8	380621	(004000–004936)	Hose, Heater, 0.62id 80.0l	1
9	380620	(004000–004936)	Hose, Heater, 0.62id 77.0l	1
10	72979	(004000–004718)	Hose, Heater, 0.62id 20.0l	1
10	61870	(004719–004936)	Hose, Heater, 0.62id 31.0l	1
11	72978	(004000–004718)	Hose, Heater, 0.62id 13.0l	1
11	61869	(004719–004936)	Hose, Heater, 0.62id 24.0l	1
12	763116	(004000–004936)	Tie, Cable, Nyl, 15.3l . W 4.5 Max D	3
▽	375728	(004375–004936)	Valve Assy, Ball, 3 Way, Em10/Em10/Em10	1
▲	13 59901	(004375–004936)	Fitting, Brs, Str, Em10/Pm08	2
▲	14 31507	(004375–004936)	Valve, Ball, 3–way, 08pf/08pf/08pf Brs	1
▲	15 43242	(004375–004936)	Swivel	1
▲	16 1043352	(004375–004936)	Clamp, Cable, Stl, 0.18d X 0.75w, 1hole	2
▲	17 40573	(004375–004936)	Fitting, Hyd, Str, Pm08/Pm08	1
▲	18 45142	(004375–004936)	Bolt, U, .25–20 X 2.00, 1.10id	1
▲	19 374129	(004719–004936)	Bracket, Mtg, Valve, Cntrl, Heater	1
▲	20 30268	(004375–004936)	Fitting, Brs, E90, Em10/Pm08	2
▲	21 24450	(004375–004936)	Fitting, Brs, Tee, Pf08/Pf08/Pf08	1
	22 375726	(004375–004718)	Bracket, Mtg, Valve,Control, Heater	1

Fig. 35 – Cab AC Compressor Group, Ford

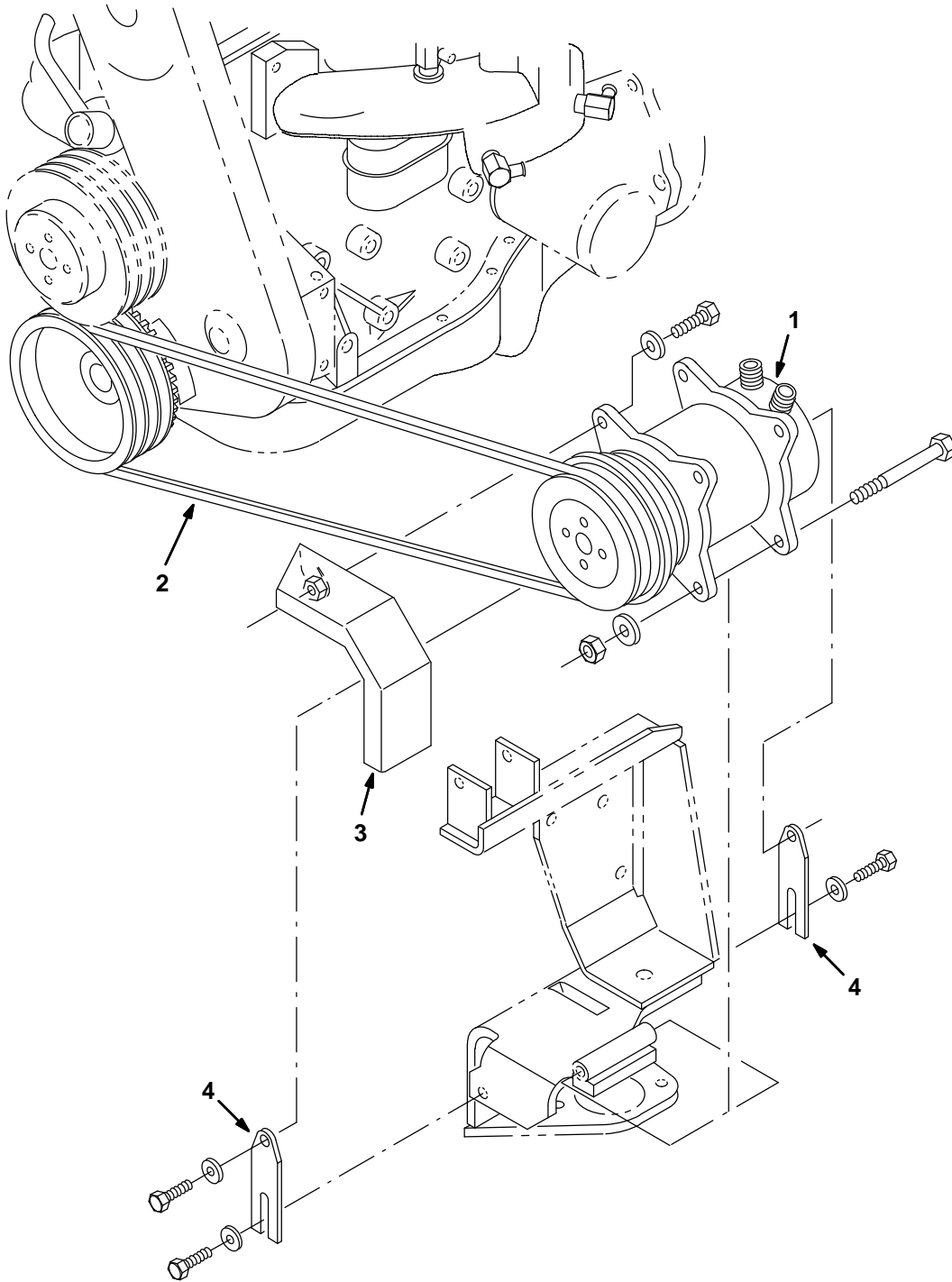


Fig. 35 – Cab AC Compressor Group, Ford

NOTE: AC/Heater kit, TENNANT Part Number 380574 includes Fig. 33, Fig. 34, and Fig. 35.

Ref.	Part No.	Serial Number	Description	Qty.
1	77674	(004000–004936)	Compressor, A/C	1
2	380676	(004000– xxxxxx)	Belt, V, Hc41 41.1L	1
2	375729	(xxxxxx–004936)	Belt, V, Hc41 40.1L	1
3	380563	(004000–004936)	Bracket, Belt, Guard, Ac	1
4	380697	(004000–004936)	Link, Tension 2.4L	2

Fig. 36 – Cab AC and Heater Box Group, GM (004937–008088)

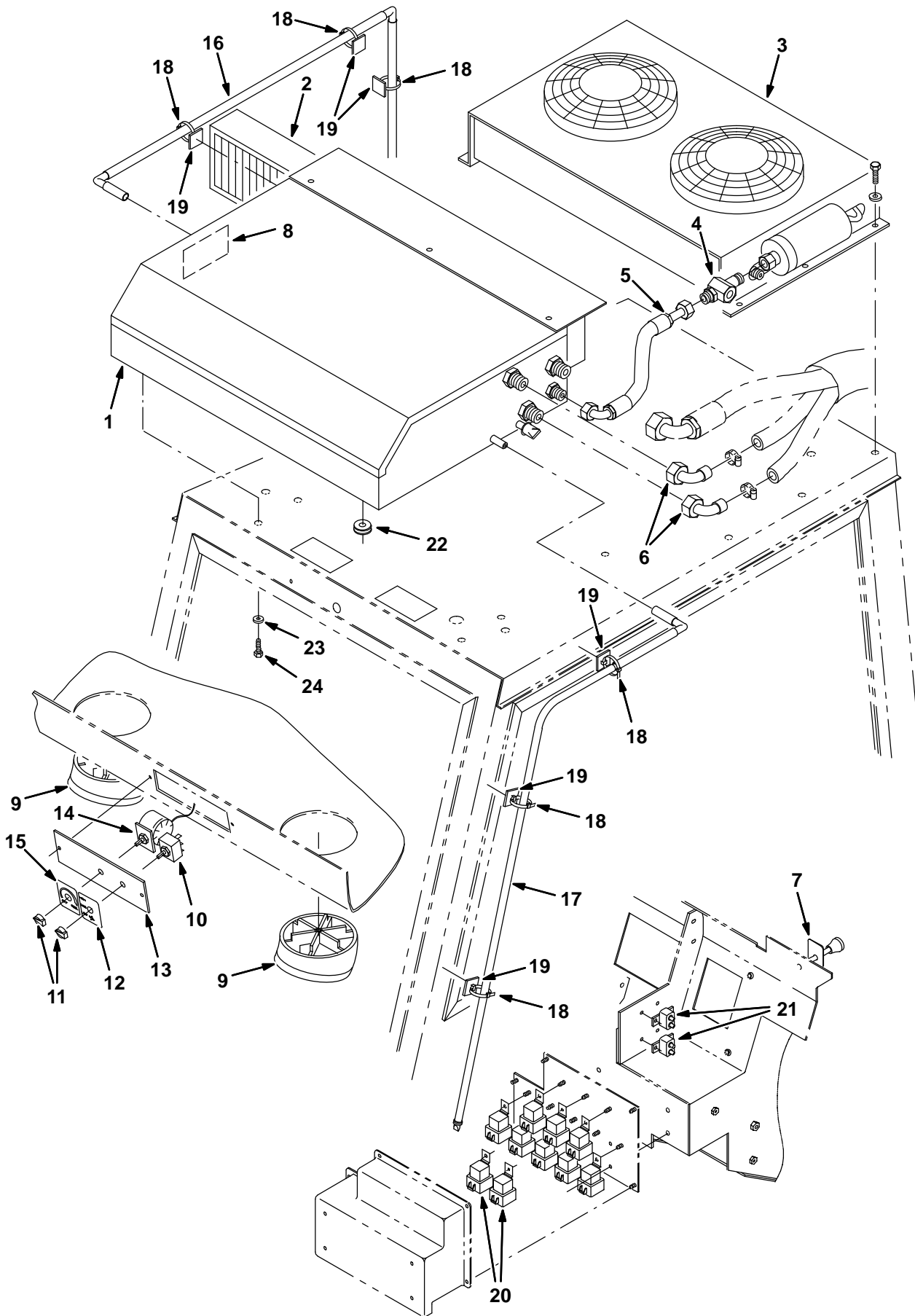


Fig. 36 – Cab AC and Heater Box Group, GM (004937–008088)

NOTE: AC/Heater kit, TENNANT Part Number 374287 for machines serial number 006999 and below and includes Fig. 36, Fig. 38, and .Fig. 39

NOTE: AC/Heater kit, TENNANT Part Number 900299 for machines serial number 007000–008088 includes Fig. 36, Fig. 38, and .Fig. 40

	Ref.	Part No.	Serial Number	Description	Qty.
▽		380576	(004937–008088)	Heater & A/C, W/ Fan, Roof	1
▲	1	380613	(004937–008088)	Box Assy, Heater, A/C (See Breakdowns)	1
▲	2	380689	(004937–008088)	Filter, Panel, Heat–A/C	1
▲	3	380625	(004937–008088)	Condenser, A/C, Roof (See Breakdowns)	1
▲	4	380630	(004937–008088)	Gauge, Sight, A/C	1
▲	5	380684	(004937–008088)	Hose, A/C, 06 09.0l	1
▲	6	380615	(004937–008088)	Fitting, Elbow	2
▲	7	380663	(004937–008088)	Label, Opertnl, Pull Heat	1
▲	8	380673	(004937–008088)	Label, Caution	1
▲	9	380617	(004937–008088)	Louver, Adj, Heat–A/C	2
▲	10	380619	(004937–008088)	Switch, 3 Pos, Blower, Heat	1
▲	11	380661	(004937–008088)	Knob, Rnd, Control, Heat–A/C	2
▲	12	380662	(004937–008088)	Label, Opertnl, Fan, Hi/Med/Low	1
▲	13	380690	(004937–008088)	Plate, Mtg, Switch, A/C	1
▲	14	380624	(004937–008088)	Switch, Thermo, A/C	1
▲	15	380665	(004937–008088)	Label, Opertnl, Temp	1
▲	16	374134	(004937–008088)	Hose Assy, Drain, A/C	1
▲	17	374135	(004937–008088)	Hose Assy, Drain, A/C	1
▲	18	49266	(004937–008088)	Tie, Cable, Nyl, 07.3l .19w 1.8 Max D	10
▲	19	55248	(004937–008088)	Mount, Cable Tie	10
	20	56186	(004937–008088)	Relay, 12vdc, 40a, Spdt N/O	2
	21	374210	(004937–008088)	Circuitbreaker, 20.0a, Thermal	2
	22	77811	(004937–008088)	Grommet, Cab, Harness, Wire	1
	23	32490	(004937–008088)	Washer, Flat, 0.25 Std	12
	24	12459	(004937–008088)	Screw, Hex, M6 X 1.0 X 20, Fmg	12

Fig. 37 – Cab AC and Heater Box Group, GM (008089–)

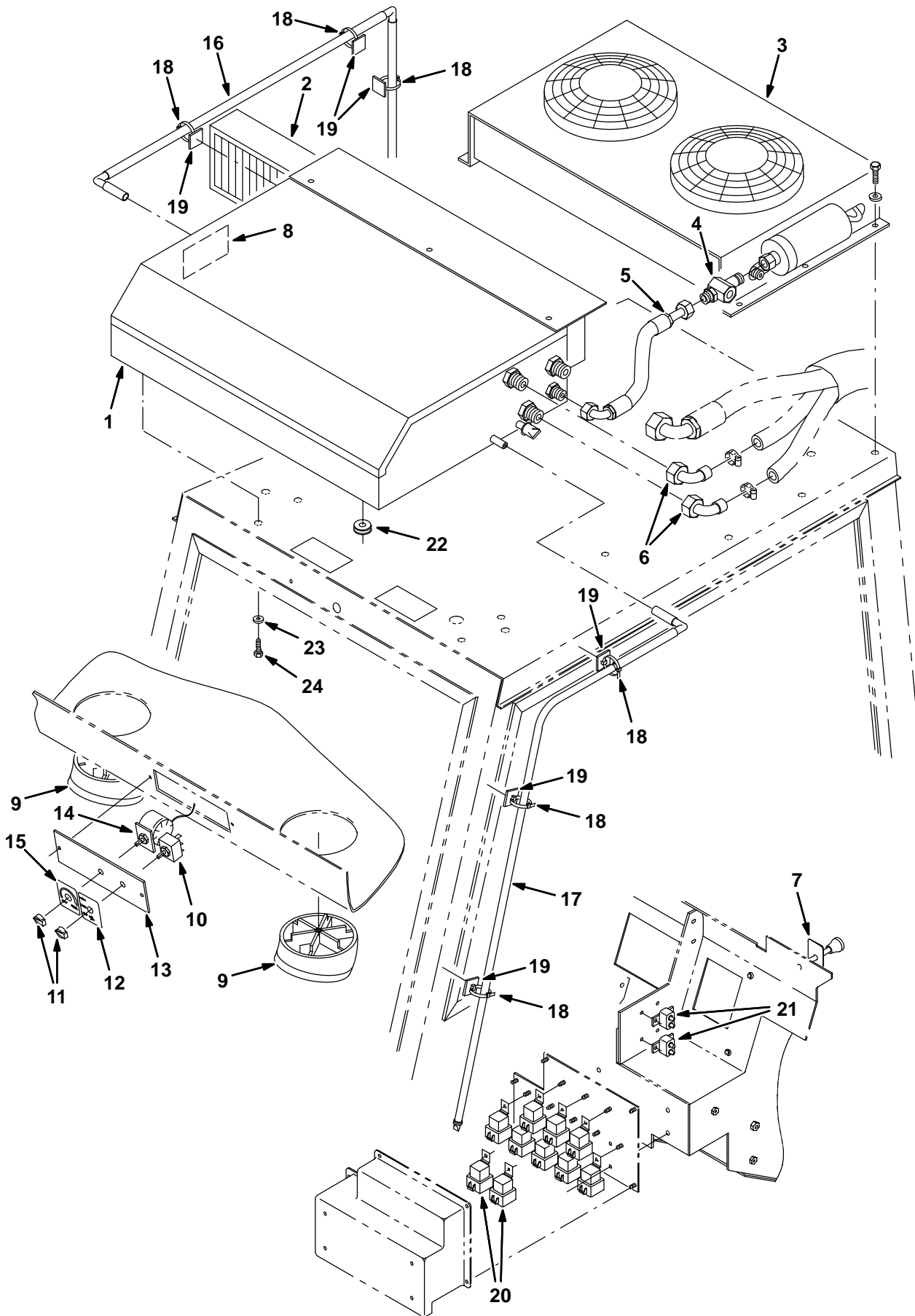


Fig. 37 – Cab AC and Heater Box Group, GM (008089–)

NOTE: AC/Heater kit, TENNANT Part Number 9012894 for machines serial number 008089 and above and includes Fig. 37, Fig. 38, and .Fig. 40

	Ref.	Part No.	Serial Number	Description	Qty.
▽		9012893	(008089–)	Heater Assy, W/ A/C, Roof [R134, Gray]	1
▲	1	1073904	(008089–)	Heater, W/ A/C [Badger, Gray] (See Breakdowns)	1
▲	2	380689	(008089–)	Filter, Panel, Heat–A/C	1
▲	3	380625	(008089–)	Condenser, A/C, Roof (See Breakdowns)	1
▲	4	380630	(008089–)	Gauge, Sight, A/C	1
▲	5	380684	(008089–)	Hose, A/C, 06 09.0l	1
▲	6	380615	(008089–)	Fitting, Elbow	2
▲	7	380663	(008089–)	Label, Opertnl, Pull Heat	1
▲	8	380673	(008089–)	Label, Caution	1
▲	9	380617	(008089–)	Louver, Adj, Heat–A/C	2
▲	10	380619	(008089–)	Switch, 3 Pos, Blower, Heat	1
▲	11	380661	(008089–)	Knob, Rnd, Control, Heat–A/C	2
▲	12	380662	(008089–)	Label, Opertnl, Fan, Hi/Med/Low	1
▲	13	380690	(008089–)	Plate, Mtg, Switch, A/C	1
▲	14	380624	(008089–)	Switch, Thermo, A/C	1
▲	15	380665	(008089–)	Label, Opertnl, Temp	1
▲	16	374134	(008089–)	Hose Assy, Drain, A/C	1
▲	17	374135	(008089–)	Hose Assy, Drain, A/C	1
▲	18	49266	(008089–)	Tie, Cable, Nyl, 07.3l .19w 1.8 Max D	10
▲	19	55248	(008089–)	Mount, Cable Tie	10
	20	56186	(008089–)	Relay, 12vdc, 40a, Spdt N/O	2
	21	374210	(008089–)	Circuitbreaker, 20.0a, Thermal	2
	22	77811	(008089–)	Grommet, Cab, Harness, Wire	1
	23	32490	(008089–)	Washer, Flat, 0.25 Std	12
	24	12459	(008089–)	Screw, Hex, M6 X 1.0 X 20, Fmg	12

Fig. 38 – Cab AC and Heater Hose Group, GM

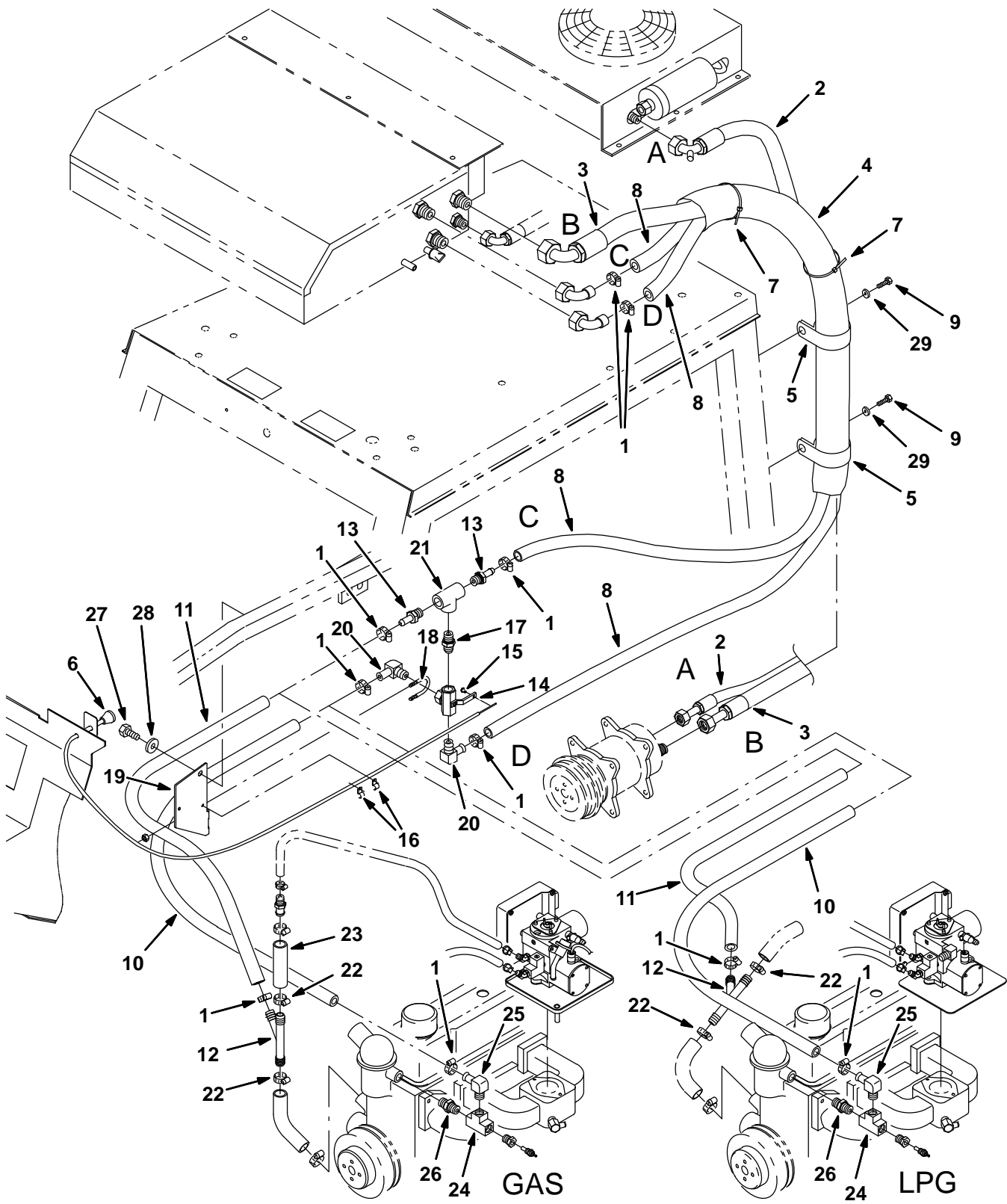


Fig. 38 – Cab AC and Heater Hose Group, GM

NOTE: AC/Heater kit, TENNANT Part Number 374287 for machines serial number 006999 and below and includes Fig. 36, Fig. 38, and .Fig. 39

NOTE: AC/Heater kit, TENNANT Part Number 900299 for machines serial number 007000–008088 includes Fig. 36, Fig. 38, and .Fig. 40

NOTE: AC/Heater kit, TENNANT Part Number 9012894 for machines serial number 008089 and above and includes Fig. 37, Fig. 38, and .Fig. 40

Ref.	Part No.	Serial Number	Description	Qty.
1	63810	(004937–)	Clamp, Hose, Wormdrive, 0.56–1.06d	8
2	1021799	(004937–)	Hose, A/C, 08, Str/E90, 112.0l [R134]	1
3	1021797	(004937–)	Hose, A/C, 12, Str/E90, 127.0l [R134]	1
4	375512	(004937–)	Sleeve, Nyl, #33 65.0l	1
5	41016	(004937–)	Clamp, Cable, Stl, 2.25d X 1.00w, 1h	2
6	43558A	(004937–)	Cable, Cntrl, Choke, 85/90l 1.4d Knob	1
7	763116	(004937–)	Tie, Cable, Nyl, 15.3l . W 4.5 Max D	3
8	1016561	(004937–)	Hose, Afmkt, Rbr, Heater, 0.62id, 08ft	2
9	12459	(004937–)	Screw, Hex, M6 X 1.0 X 20, Fmg	2
10	1016556	(004937–)	Hose, Afmkt, Rbr, Heater, 0.62id, 03ft	1
11	1016560	(004937–)	Hose, Afmkt, Rbr, Heater, 0.62id, 02ft	1
12	393255	(004937–)	Fitting, Plstc, Tee, Bm12/Bm12/Bm12	1
▽	375728	(004937–)	Valve Assy, Ball, 3 Way, Em10/Em10/Em10	1
▲	13 59901	(004937–)	Fitting, Brs, Str, Em10/Pm08	2
▲	14 31507	(004937–)	Valve, Ball, 3–way, 08pf/08pf/08pf Brs	1
▲	15 43242	(004937–)	Swivel	1
▲	16 1043352	(004937–)	Clamp, Cable, Stl, 0.18d X 0.75w, 1hole	2
▲	17 40573	(004937–)	Fitting, Hyd, Str, Pm08/Pm08	1
▲	18 45142	(004937–)	Bolt, U, .25–20 X 2.00, 1.10id	1
▲	19 374129	(004937–)	Bracket, Mtg, Valve, Cntrl, Heater	1
▲	20 30268	(004937–)	Fitting, Brs, E90, Em10/Pm08	2
▲	21 24450	(004937–)	Fitting, Brs, Tee, Pf08/Pf08/Pf08	1
	22 11399	(004937–)	Clamp, Hose, Wormdrive, 0.81–1.50d	2
	23 75197	(004937–)	Hose, Heater, 0.75id 04.0l	1
	24 24450	(004937–)	Fitting, Brass, Tee	1
	25 30268	(004937–)	Fitting, Brs, E90, Em10/Pm08	1
	26 40573	(004937–)	Fitting, Hyd, Str, Pm08/Pm08	1
	27 16930	(004937–)	Screw, Hex, M10 X 1.5 X 50, 8.8	1
	28 32492	(004937–)	Washer, Flat, 0.38 Std	1
	29 32490	(004937–)	Washer, Flat, 0.25 Std	2

Fig. 39 – Cab AC Compressor Group, GM (004937-006999)

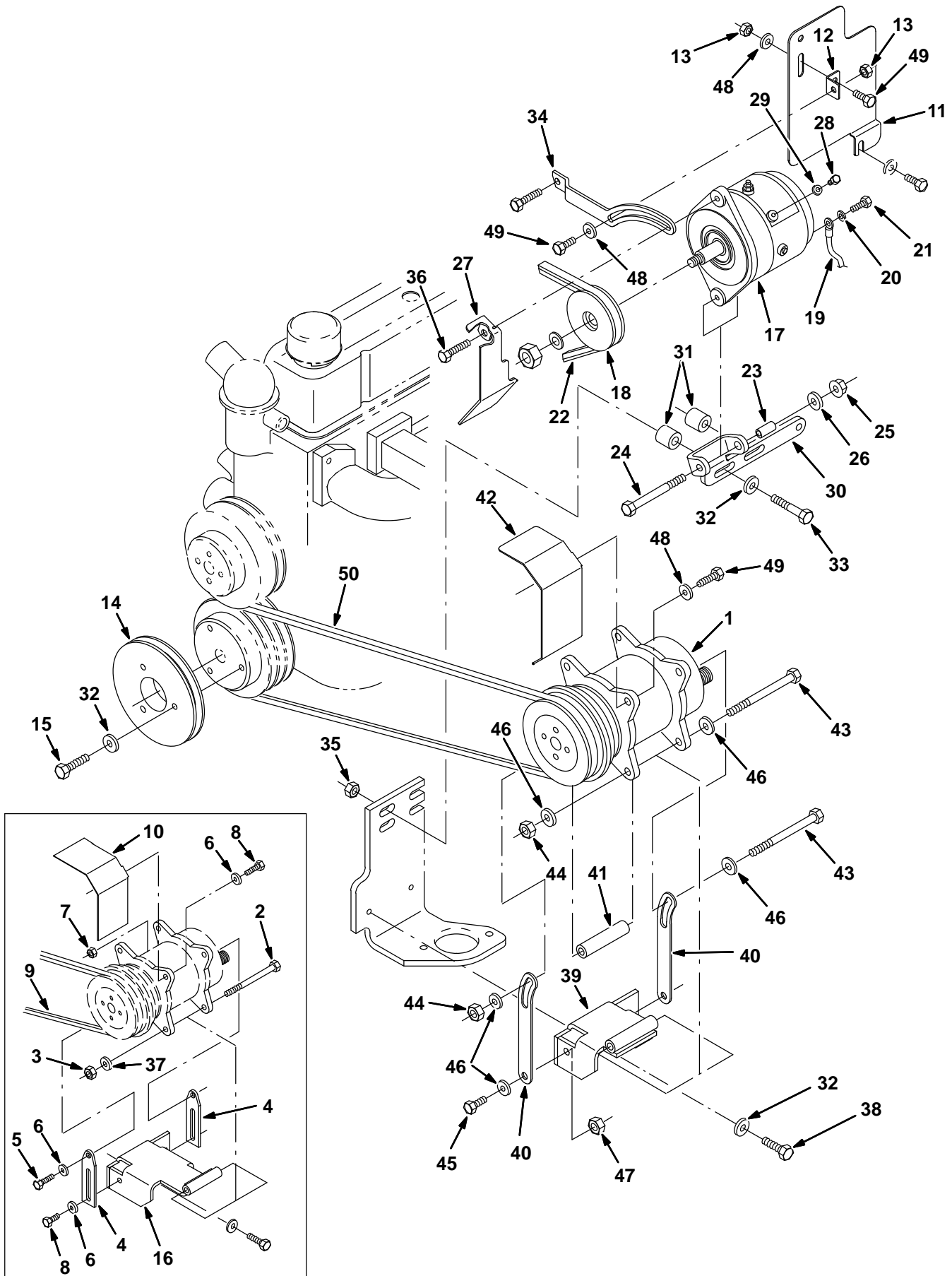


Fig. 39 – Cab AC Compressor Group, GM (004937–006999)

NOTE: AC/Heater kit, TENNANT Part Number 374287 for machines serial number 006999 and below and includes Fig. 36, Fig. 38, and .Fig. 39

Ref.	Part No.	Serial Number	Description	Qty.
1	393219	(004937–006999)	Compressor, A/C	1
2	20177	(004937–006348)	Screw, Hex, .38–16 X 4.00, 5	1
3	59156	(004937–006348)	Nut, Hex, Lock, .38–16, NI, Ss	1
4	73717	(004937–006348)	Arm, Tension, A/C, .18 1.3w 4.2l	1
5	76570	(004937–006348)	Screw, Hex, M8 X 1.25 X 30, 8.8	2
6	32491	(004937–006348)	Washer, Flat, 0.31 Std	4
7	08709	(004937–006348)	Nut, Hex, Lock, M8 X 1.25, NI	2
8	16931	(004937–006348)	Screw, Hex, M8 X 1.25 X 20, 8.8	4
9	64899	(004937–006348)	Belt, V, [3v] 40.0l, 1only [Hc38]	1
10	1007343	(004937–006348)	Bracket, Belt, Guard, A/C	1
11	1019513	(004937–006999)	Plate, Shield, Heat	1
12	1008513	(004937–006999)	Angle, Heat, Shield	1
13	39311	(004937–006999)	Nut, Hex, Std, M08 X 1.25	2
14	393201	(004937–006999)	Sheave, Aux, [Hc38], 1Grv 6.8od [Gm 3.0L]	1
15	39670	(004937–006999)	Screw, Hex, .38–24 X 1.50, 5	3
16	392613	(004937–006348)	Bracket Wldt, Mtg, A/C	1
17	75828	(004937–006999)	Alternator, 12vdc, 100A [Brushless]	1
18	77555	(004937–006999)	Sheave, [3L], 1Grv, 03.5Pd 0.67B	1
19	31525	(004937–006999)	Wire, 10ga 16.0l Blk .38ring /.25ring	1
20	371509	(004937–006999)	Washer, Lock, .38	1
21	39277	(004937–006999)	Screw, Hex, M8 X 1.25 X 25, 8.8	1
22	393244	(004937–006999)	Belt, V, [Hc41] 42.0l	1
23	1008512	(004937–006999)	Bushing, Sleeve, .40b X .50d X 1.06l	1
24	34877	(004937–006999)	Screw, Hex, M10 X 1.5 X 100, 8.8	1
25	07792	(004937–006999)	Nut, Hex, Flng, M10 X 1.5	1
26	41186	(004937–006999)	Washer, Belleville, .31	1
27	1008538	(004937–006999)	Bracket, Guard, Alternator, Hd [Gm3.0l]	1
28	21237	(004937–006999)	Screw, Hex, M4 X 0.7 X 6, 8.8	1
29	32978	(004937–006999)	Washer, Lock, Int, #08	1
30	1008510	(004937–006999)	Bracket, Mtg, Alternator, Hd,[Gm3.0l]	1
31	35756	(004937–006999)	Tube, 01.00d 00.50b 01.0l Stl Pnt	2
32	32492	(004937–006999)	Washer, Flat, 0.38 Std	4
33	27991	(004937–006999)	Screw, Hex, .38–16 X 2.25, 5	2
34	1008519	(004937–006999)	Arm, Alternator, Hd [Gm3.0l]	1
35	50902	(004937–006999)	Nut, Hex, Lock, .38–16, NI	2
36	04375	(004937–006999)	Screw, Hex, M 8 X 1.25 X 40, FI	1
37	32492	(004937–006348)	Washer, Flat, 0.38 Std	6
38	06537	(004937–006999)	Screw, Hex, M10 X 1.5 X 120, 8.8, FI	2
39	1017085	(006349–006999)	Bracket Wldt, Mtg, A/C	1
40	1017102	(006349–006999)	Arm, Tens	2
41	1017292	(006349–006999)	Tube, 00.75d 00.41b 03.3l Stl PI	2
42	1017515	(006349–006999)	Guard, Belt, A/C	1
43	07819	(006349–006999)	Screw, Hex, M10 X 1.5 X 130, 8.8	2
44	08714	(006349–006999)	Nut, Hex, Lock, M10 X 1.5, NI, Ss	2

Fig. 39 – Cab AC Compressor Group, GM (004937–006999)

NOTE: AC/Heater kit, TENNANT Part Number 374287 for machines serial number 006999 and below and includes Fig. 36, Fig. 38, and .Fig. 39

Ref.	Part No.	Serial Number	Description	Qty.
45	39283	(006349–006999)	Screw, Hex, M10 X 1.5 X 25, 8.8	2
46	32485	(006349–006999)	Washer, Flat, 0.38 Sae	6
47	41430	(006349–006999)	Nut, Hex, Lock, M10 X 1.5, NI	2
48	32491	(006349–006999)	Washer, Flat, 0.31 Std	4
49	16931	(006349–006999)	Screw, Hex, M8 X 1.25 X 20, 8.8	4
50	380544	(006349–006999)	Belt, V, [3v] 38.5l [Hc38/41]	1

Fig. 40 – Cab AC Compressor Group, GM (007000–)

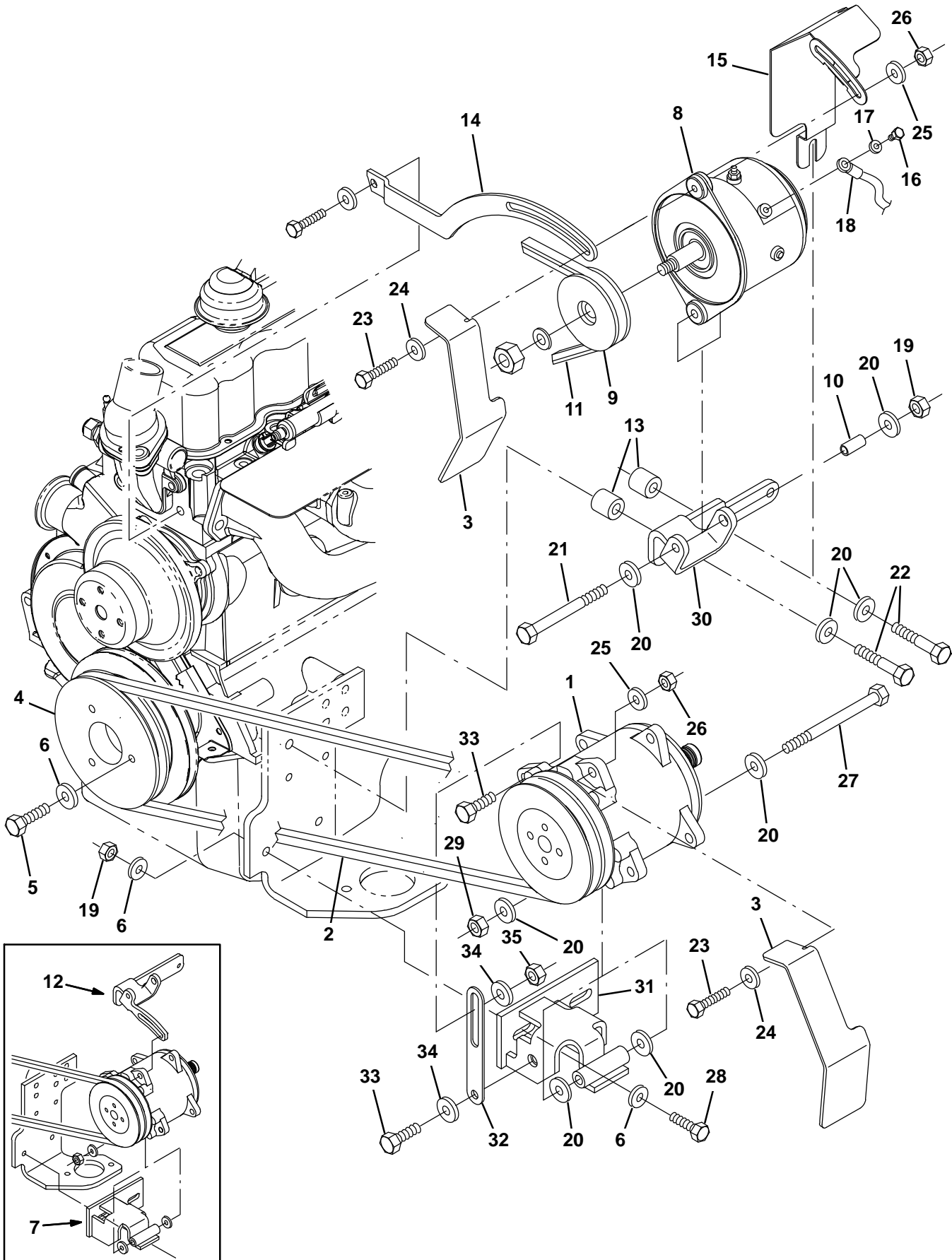


Fig. 40 – Cab AC Compressor Group, GM (007000–)

NOTE: AC/Heater kit, TENNANT Part Number 900299 for machines serial number 007000–008088 includes Fig. 36, Fig. 38, and .Fig. 40

NOTE: AC/Heater kit, TENNANT Part Number 9012894 for machines serial number 008089 and above and includes Fig. 37, Fig. 38, and .Fig. 40

Ref.	Part No.	Serial Number	Description	Qty.
1	1030582	(007000–)	Compressor, A/C [2007]	1
2	380544	(007000–)	Belt, V, 38.5l [Hc38]	1
3	1030762	(007000–)	Bracket, Guard, Alternator, Hd [800/810]	2
4	393201	(007000–)	Sheave, Aux, 1grv, 06.8od [Gm3.0l, Hc38]	1
5	39670	(007000–)	Screw, Hex, .38–24 X 1.50, G5	3
6	32492	(007000–)	Washer, Flat, 0.38, Std	7
7	1030657	(007000–007367)	Bracket Wldt, Mtg, A/C [800 07]	1
8	1030627	(007000–)	Alternator, Se [800/810, 07]	1
9	77555	(007000–)	Sheave, 01grv, 03.5pd 0.67b [3l]	1
10	371526	(007000–)	Sleeve, Alternator	1
11	78772	(007000–)	Belt, V, 45.1l [Hc38]	1
12	1030654	(007000–007367)	Bracket, Mtg, Alternator, Hd[800/810 07]	1
13	35756	(007000–)	Tube, 0.50id 1.00od 01.0l, Stl, Pntd	2
14	1030708	(007000–)	Arm, Adj, Alternator, Hd [800/810 07]	1
15	1032904	(007000–)	Shield, Heat, Alternator, Hd[800/810 07]	1
16	21237	(007000–)	Screw, Hex, M4 X 0.7 X 6, 8.8	1
17	32978	(007000–)	Washer, Lock, Int, #08	1
18	31525	(007000–)	Wire, 10ga 16.0l Blk .25ring /.38ring	1
19	50902	(007000–)	Nut, Hex, Lock, .38–16, NI	3
20	32485	(007000–)	Washer, Flat, 0.38, Sae	8
21	20177	(007000–)	Screw, Hex, .38–16 X 4.00, G5	1
22	27992	(007000–)	Screw, Hex, .38–16 X 2.50, G5	2
23	04375	(007000–)	Screw, Hex, M8 X 1.25 X 40, 8.8, FI	2
24	41186	(007000–)	Washer, Flat, Belleville, .31	2
25	32491	(007000–)	Washer, Flat, 0.31, Std	2
26	08709	(007000–)	Nut, Hex, Lock, M8 X 1.25, NI	2
27	06966	(007000–)	Screw, Hex, M10 X 1.5 X 110, 8.8	1
28	21198	(007000–)	Screw, Hex, .38–16 X 1.25, G5	2
29	08714	(007000–)	Nut, Hex, Lock, M10 X 1.5, NI, Ss	1
30	1051245	(007368–)	Bracket, Mtg, Alternator, Hd[800/810 07]	1
31	1050610	(007368–)	Bracket Wldt, Mtg, A/C [800 07]	1
32	1050584	(007368–)	Arm, Tens [2008]	1
33	39283	(007368–)	Screw, Hex, M10 X 1.50 X 25, 8.8	2
34	32485	(007368–)	Washer, Flat, 0.38, Sae	2
35	41430	(007368–)	Nut, Hex, Lock, M10 X 1.5, NI	1

Fig. 41 – Cab Heater Box Group, Ford

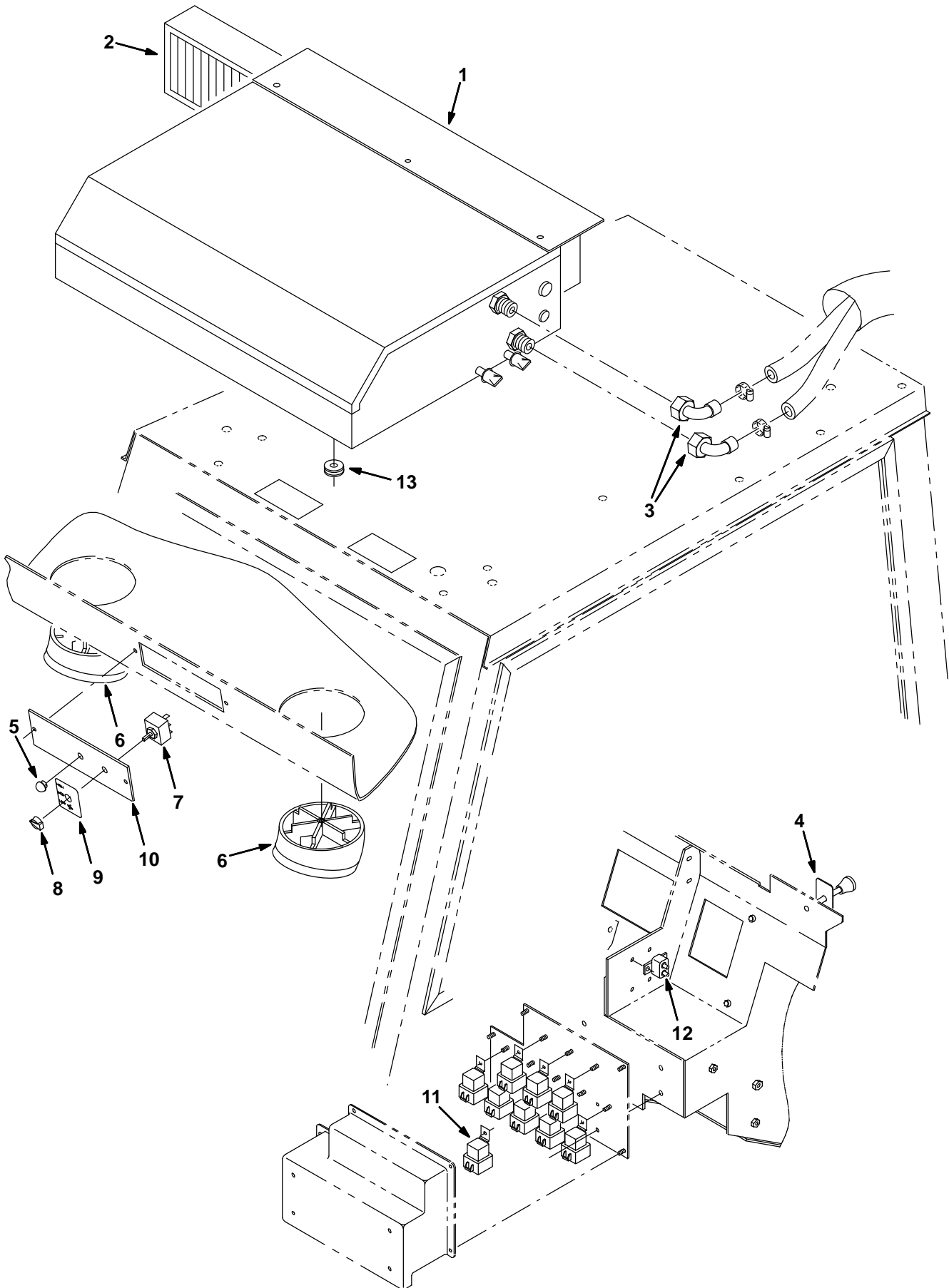


Fig. 41 – Cab Heater Box Group, Ford

NOTE: Heater kit, TENNANT Part Number 380610 includes Fig. 41, and Fig. 42.

	Ref.	Part No.	Serial Number	Description	Qty.
▽		380612	(004000–004936)	Heater & A/C, W/ Fan, Roof	1
▲	1	380614	(004000–004936)	Box Assy, Heater, A/C (See Breakdowns)	1
▲	2	380689	(004000–004936)	Filter, Panel, Heat–A/C	1
▲	3	380615	(004000–004936)	Fitting, Elbow	2
▲	4	380663	(004000–004936)	Label, Opertnl, Pull Heat	1
▲	5	56992	(004000–004936)	Button, Plug, 0.50h .03–.12 [Black Nyl]	1
▲	6	380617	(004000–004936)	Louver, Adj, Heat–A/C	2
▲	7	380619	(004000–004936)	Switch, 3 Pos, Blower, Heat	1
▲	8	380661	(004000–004936)	Knob, Rnd, Control, Heat–A/C	1
▲	9	380662	(004000–004936)	Label, Opertnl, Fan, Hi/Med/Low	1
▲	10	380690	(004000–004936)	Plate, Mtg, Switch, A/C	1
	11	56186	(004000–004936)	Relay, 12vdc, 40a, Spdt N/O	1
	12	374210	(004000–004936)	Circuitbreaker, 20.0a, Thermal	1
	13	77811	(004000–004936)	Grommet, Cab, Harness, Wire	1

Fig. 42 – Cab Heater Hose Group, Ford

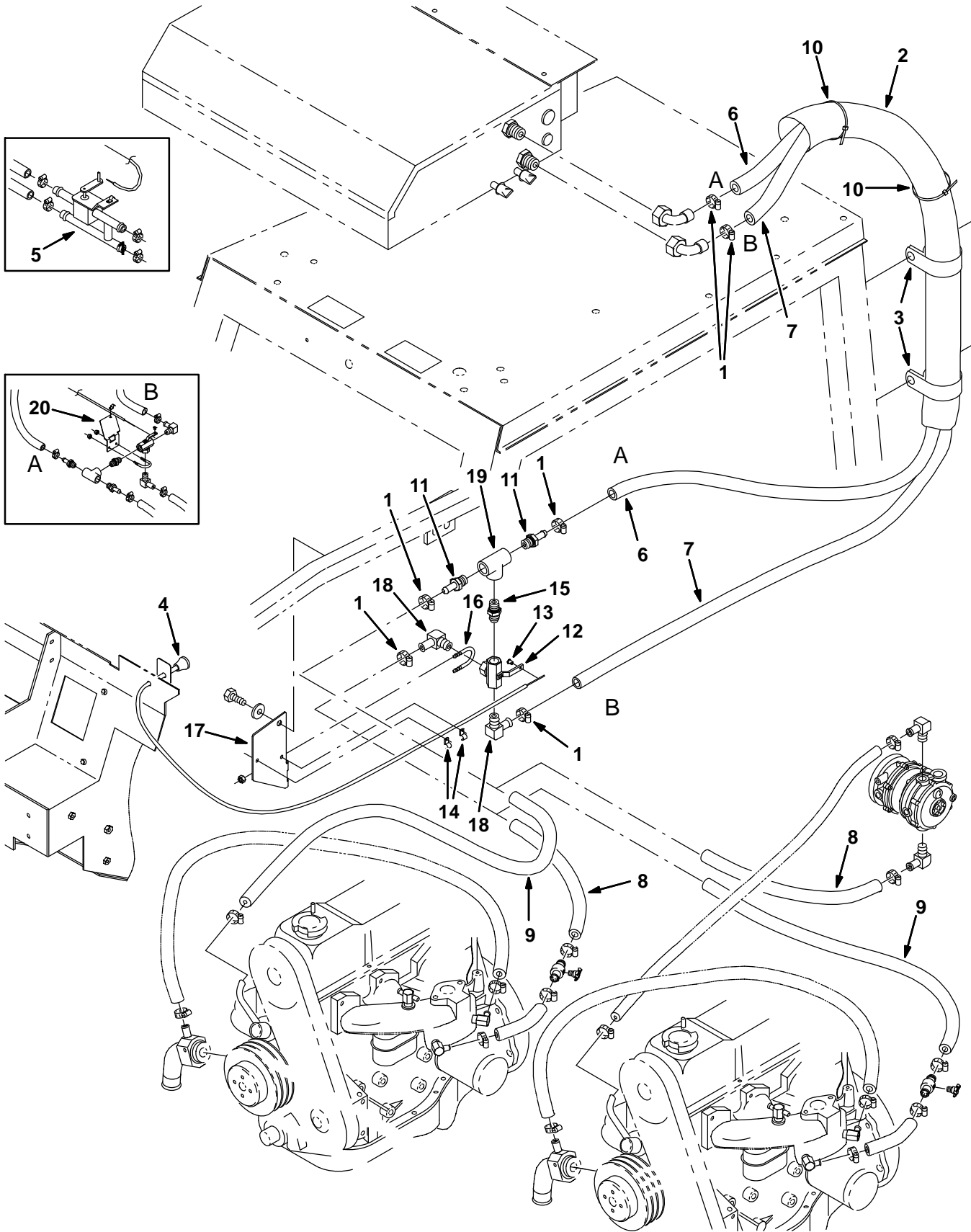


Fig. 42 – Cab Heater Hose Group, Ford

NOTE: Heater kit, TENNANT Part Number 380610 includes Fig. 41, and Fig. 42.

Ref.	Part No.	Serial Number	Description	Qty.
1	63810	(004000–004936)	Clamp, Hose, Wormdrive, 0.56–1.06d	6
2	375512	(004000–004936)	Sleeve, Nyl, #33 65.0l	1
3	41016	(004000–004936)	Clamp, Cable, Stl, 2.25d X 1.00w, 1h	2
4	43558A	(004000–004936)	Cable, Cntrl, Choke, 85/90l 1.4d Knob	1
5	380618	(004000–004374)	Valve, Water, Heater, H, 10bm	1
6	380621	(004000–004936)	Hose, Heater, 0.62id 80.0l	1
7	380620	(004000–004936)	Hose, Heater, 0.62id 77.0l	1
8	72979	(004000–004718)	Hose, Heater, 0.62id 20.0l	1
8	61870	(004719–004936)	Hose, Heater, 0.62id 31.0l	1
9	72978	(004000–004718)	Hose, Heater, 0.62id 13.0l	1
9	61869	(004719–004936)	Hose, Heater, 0.62id 24.0l	1
10	763116	(004000–004936)	Tie, Cable, Nyl, 15.3l . W 4.5 Max D	3
▽	375728	(004375–004936)	Valve Assy, Ball, 3 Way, Em10/Em10/Em10	1
▲	11 59901	(004375–004936)	Fitting, Brs, Str, Em10/Pm08	2
▲	12 31507	(004375–004936)	Valve, Ball, 3–way, 08pf/08pf/08pf Brs	1
▲	13 43242	(004375–004936)	Swivel	1
▲	14 1043352	(004375–004936)	Clamp, Cable, Stl, 0.18d X 0.75w, 1hole	2
▲	15 40573	(004375–004936)	Fitting, Hyd, Str, Pm08/Pm08	1
▲	16 45142	(004375–004936)	Bolt, U, .25–20 X 2.00, 1.10id	1
▲	17 374129	(004719–004936)	Bracket, Mtg, Valve, Cntrl, Heater	1
▲	18 30268	(004375–004936)	Fitting, Brs, E90, Em10/Pm08	2
▲	19 24450	(004375–004936)	Fitting, Brs, Tee, Pf08/Pf08/Pf08	1
	20 375726	(004375–004718)	Bracket, Mtg, Valve,Control, Heater	1

Fig. 43 – Cab Heater Box Group, GM (004937 – 008088)

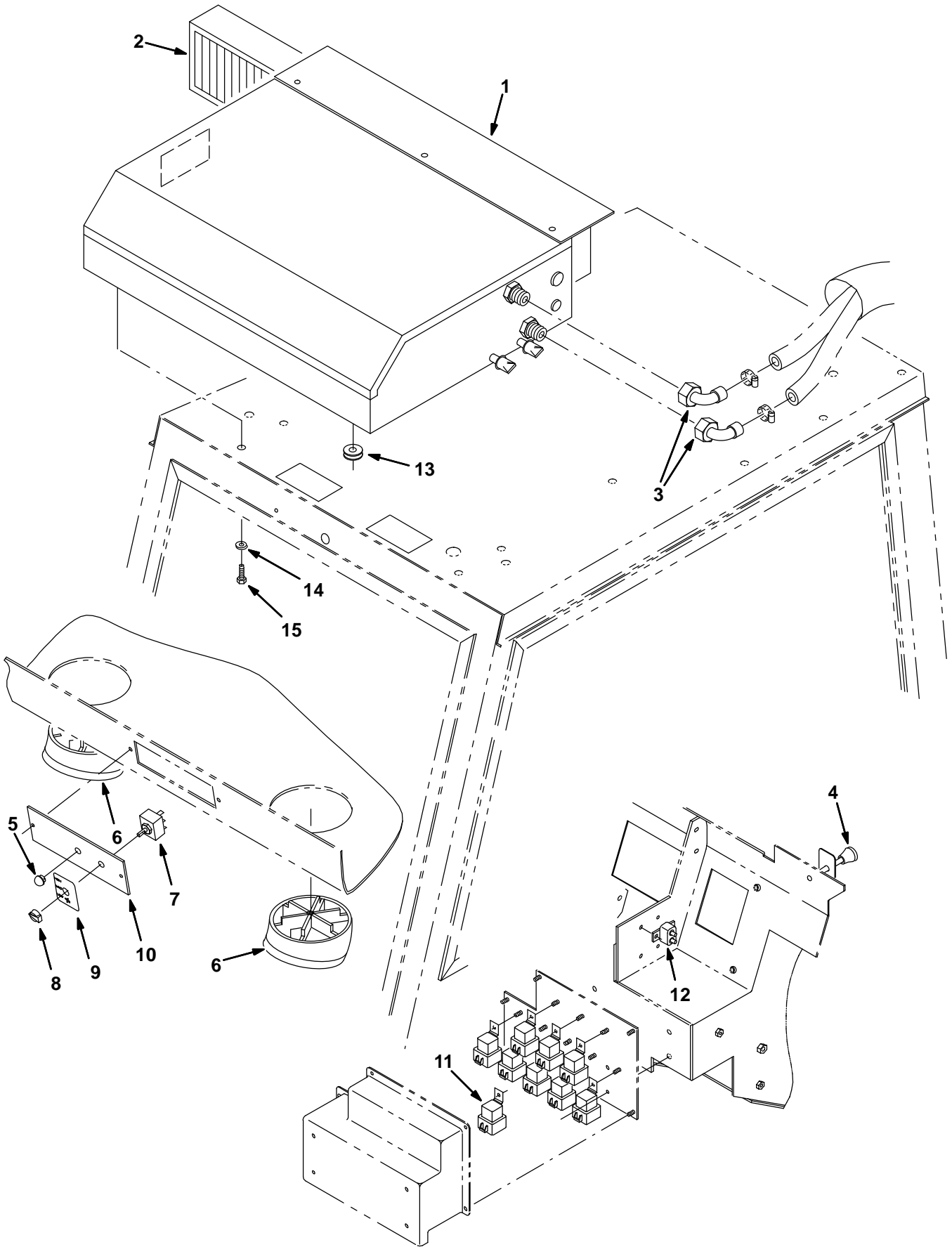


Fig. 43 – Cab Heater Box Group, GM (004937–008088)

NOTE: Heater kit, TENNANT Part Number 374285 for machines serial number 004937–008088 includes Fig. 43, and Fig. 45.

	Ref.	Part No.	Serial Number	Description	Qty.
▽		380612	(004937–008088)	Heater & A/C, W/ Fan, Roof	1
▲	1	380614	(004937–008088)	Box Assy, Heater, A/C (See Breakdowns)	1
▲	2	380689	(004937–008088)	Filter, Panel, Heat–A/C	1
▲	3	380615	(004937–008088)	Fitting, Elbow	2
▲	4	380663	(004937–008088)	Label, Opertnl, Pull Heat	1
▲	5	56992	(004937–008088)	Button, Plug, 0.50h .03–.12 [Black Nyl]	1
▲	6	380617	(004937–008088)	Louver, Adj, Heat–A/C	2
▲	7	380619	(004937–008088)	Switch, 3 Pos, Blower, Heat	1
▲	8	380661	(004937–008088)	Knob, Rnd, Control, Heat–A/C	1
▲	9	380662	(004937–008088)	Label, Opertnl, Fan, Hi/Med/Low	1
▲	10	380690	(004937–008088)	Plate, Mtg, Switch, A/C	1
	11	56186	(004937–008088)	Relay, 12vdc, 40a, Spdt N/O	1
	12	374210	(004937–008088)	Circuitbreaker, 20.0a, Thermal	1
	13	77811	(004937–008088)	Grommet, Cab, Harness, Wire	1
	14	32490	(004937–008088)	Washer, Flat, 0.25 Std	12
	15	12459	(004937–008088)	Screw, Hex, M6 X 1.0 X 20, Fmg	12

Fig. 44 – Cab Heater Box Group, GM (008089 –)

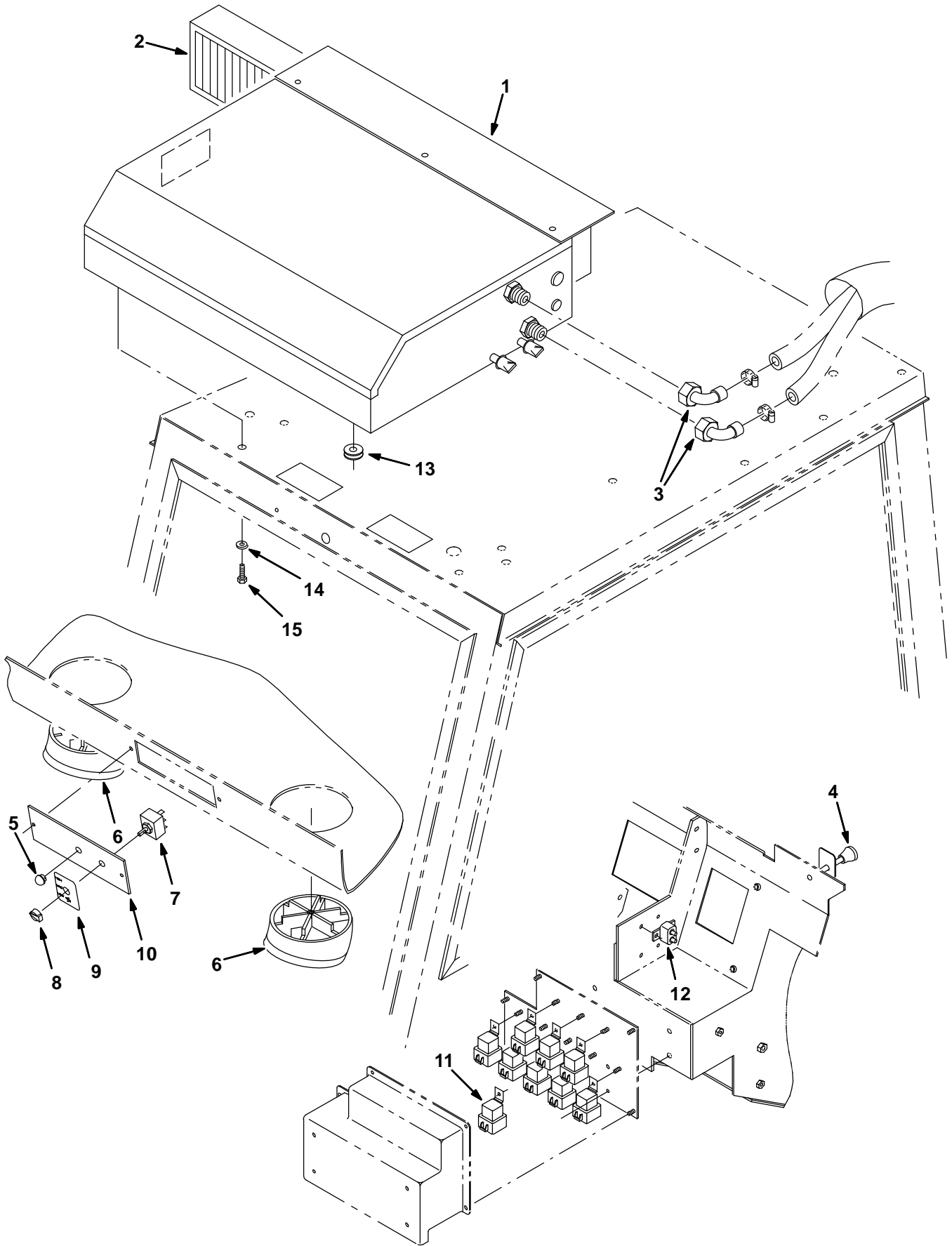


Fig. 44 – Cab Heater Box Group, GM (008089 –)

NOTE: Heater kit, TENNANT Part Number 9012894 for machines serial number 08089 and above includes Fig. 44, and Fig. 45.

	Ref.	Part No.	Serial Number	Description	Qty.
▽		9012896	(008089–)	Heater / Pressrzt Assy, Roof [800 Gray]	1
▲	1	1073905	(008089–)	Heater [Badger, Gray] (See Breakdowns)	1
▲	2	380689	(008089–)	Filter, Panel, Heat–A/C	1
▲	3	380615	(008089–)	Fitting, Elbow	2
▲	4	380663	(008089–)	Label, Opertnl, Pull Heat	1
▲	5	56992	(008089–)	Button, Plug, 0.50h .03–.12 [Black Nyl]	1
▲	6	380617	(008089–)	Louver, Adj, Heat–A/C	2
▲	7	380619	(008089–)	Switch, 3 Pos, Blower, Heat	1
▲	8	380661	(008089–)	Knob, Rnd, Control, Heat–A/C	1
▲	9	380662	(008089–)	Label, Opertnl, Fan, Hi/Med/Low	1
▲	10	380690	(008089–)	Plate, Mtg, Switch, A/C	1
	11	56186	(008089–)	Relay, 12vdc, 40a, Spdt N/O	1
	12	374210	(008089–)	Circuitbreaker, 20.0a, Thermal	1
	13	77811	(008089–)	Grommet, Cab, Harness, Wire	1
	14	32490	(008089–)	Washer, Flat, 0.25 Std	12
	15	12459	(008089–)	Screw, Hex, M6 X 1.0 X 20, Fmg	12

Fig. 45 – Cab Heater Hose Group, GM

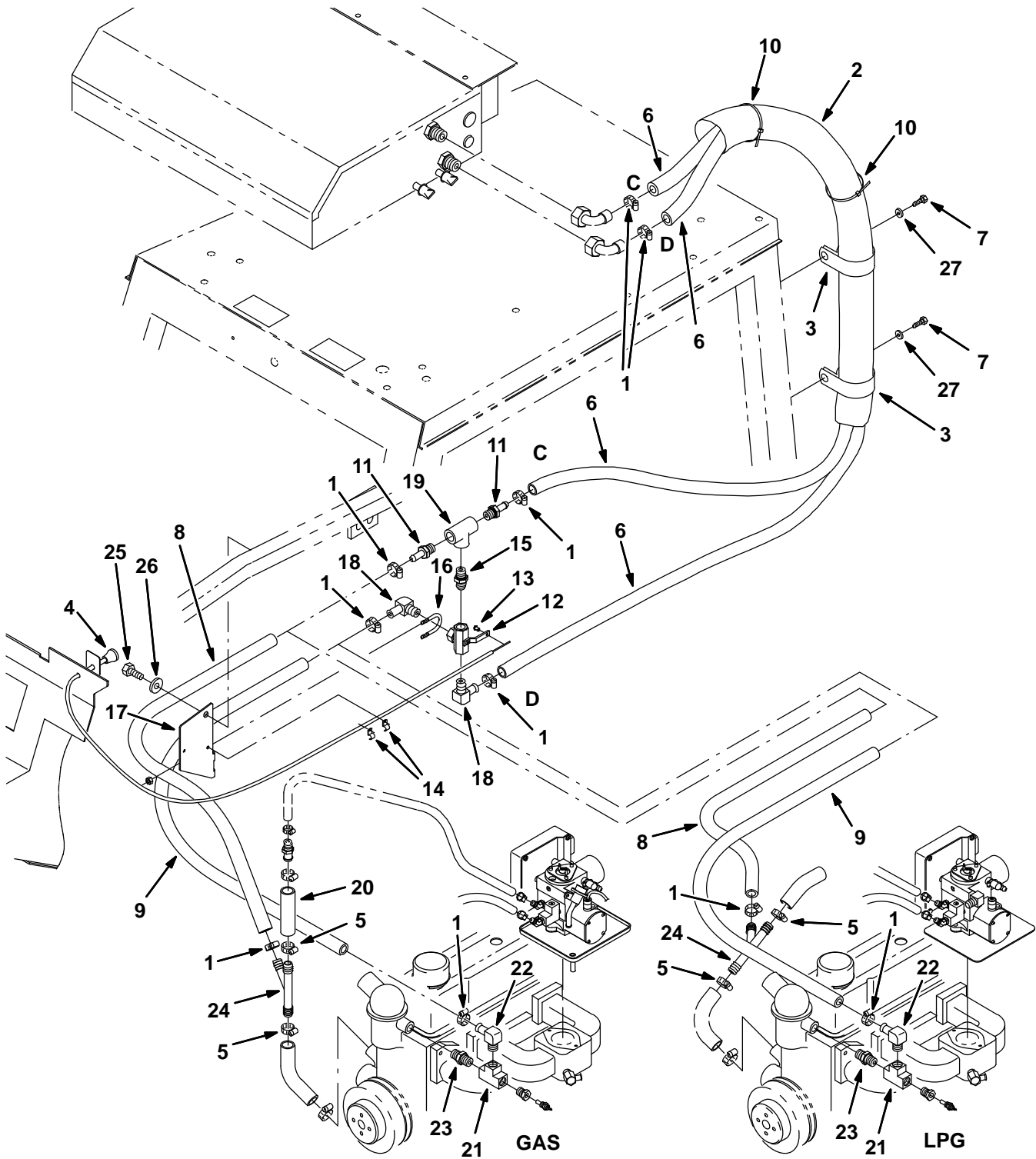


Fig. 45 – Cab Heater Hose Group, GM

NOTE: Heater kit, TENNANT Part Number 374285 for machines serial number 004937–008088 includes Fig. 43, and Fig. 45.

NOTE: Heater kit, TENNANT Part Number 9012894 for machines serial number 08089 and above includes Fig. 44, and Fig. 45.

Ref.	Part No.	Serial Number	Description	Qty.
1	63810	(004937–) Clamp, Hose, Wormdrive, 0.56–1.06d	8
2	375512	(004937–) Sleeve, Nyl, #33 65.0l	1
3	41016	(004937–) Clamp, Cable, Stl, 2.25d X 1.00w, 1h	1
4	43558A	(004937–) Cable, Cntrl, Choke, 85/90l 1.4d Knob	1
5	11399	(004937–) Clamp, Hose, Wormdrive, 0.81–1.50d	2
6	1016561	(004937–) Hose, Afmkt, Rbr, Heater, 0.62id, 08ft	2
7	12459	(004937–) Screw, Hex, M6 X 1.0 X 20, Fmg	2
8	1016556	(004937–) Hose, Afmkt, Rbr, Heater, 0.62id, 03ft	1
9	1016560	(004937–) Hose, Afmkt, Rbr, Heater, 0.62id, 02ft	1
10	763116	(004937–) Tie, Cable, Nyl, 15.3l . W 4.5 Max D	3
▽	375728	(004937–) Valve Assy, Ball, 3 Way, Em10/Em10/Em10	1
▲	11 59901	(004937–) Fitting, Brs, Str, Em10/Pm08	2
▲	12 31507	(004937–) Valve, Ball, 3–way, 08pf/08pf/08pf Brs	1
▲	13 43242	(004937–) Swivel	1
▲	14 1043352	(004937–) Clamp, Cable, Stl, 0.18d X 0.75w, 1hole	2
▲	15 40573	(004937–) Fitting, Hyd, Str, Pm08/Pm08	1
▲	16 45142	(004937–) Bolt, U, .25–20 X 2.00, 1.10id	1
▲	17 374129	(004937–) Bracket, Mtg, Valve, Cntrl, Heater	1
▲	18 30268	(004937–) Fitting, Brs, E90, Em10/Pm08	2
▲	19 24450	(004937–) Fitting, Brs, Tee, Pf08/Pf08/Pf08	1
	20 75197	(004937–) Hose, Heater, 0.75id 04.0l	1
	21 24450	(004937–) Fitting, Brass, Tee	1
	22 30268	(004937–) Fitting, Brs, E90, Em10/Pm08	1
	23 40573	(004937–) Fitting, Hyd, Str, Pm08/Pm08	1
	24 393255	(004937–) Fitting, Plstc, Tee, Bm12/Bm12/Bm12	1
	25 16930	(004937–) Screw, Hex, M10 X 1.5 X 50, 8.8	1
	26 32492	(004937–) Washer, Flat, 0.38 Std	1
	27 32490	(004937–) Washer, Flat, 0.25 Std	2

Fig. 46 – Alternator Group, SE, Ford

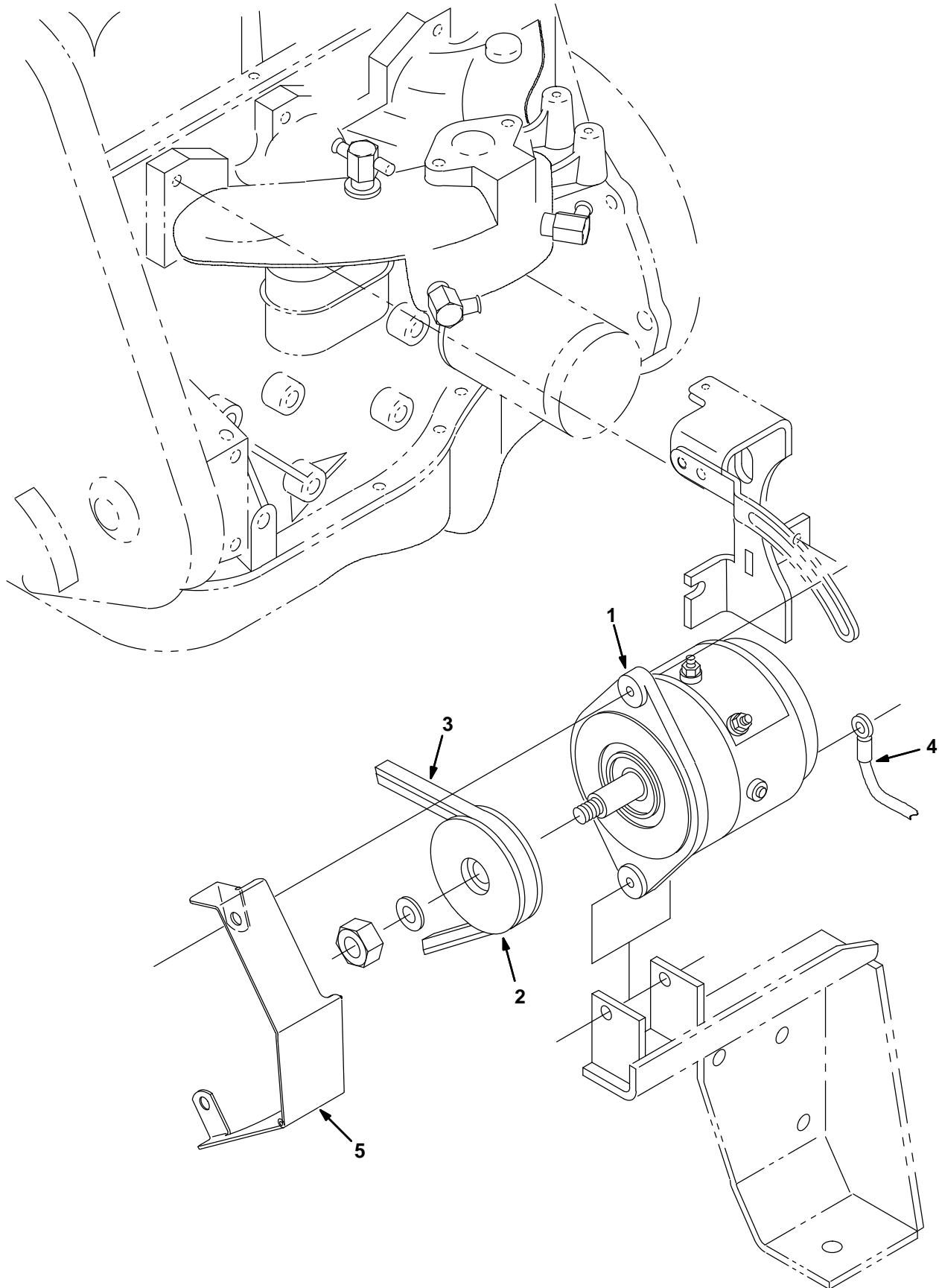


Fig. 46 – Alternator Group, SE, Ford

	Ref.	Part No.	Serial Number	Description	Qty.
▽		380702	(004000–004937)	Kit, Alternator, Hd, Gas/Lpg	1
▲	1	75828	(004000–004937)	Alternator	1
▲	2	77555	(004000–004937)	Sheave, Alternator, Se	1
▲	3	83641	(004000–004937)	Belt, V	1
▲	4	31525	(004000–004937)	Wire, Ground	1
▲	5	21223	(004000–004937)	Guard, Alternator	1

Fig. 47 – Heavy Duty Alternator Kit, GM (004937–006999)

Ref.	Part No.	Serial Number	Description	Qty.
▽	393241	(004937–006999)	Kit, Ci, Alternator, Hd,Gas/Lpg,[Gm3.0l]	1
▲	1 75828	(004937–006999)	Alternator, 12vdc, 100A [Brushless]	1
▲	2 77555	(004937–006999)	Sheave, [3L], 1Grv, 03.5Pd 0.67B	1
▲	3 31525	(004937–006999)	Wire, 10ga 16.0l Blk .38ring /.25ring	1
▲	4 371509	(004937–006999)	Washer, Lock, .38	1
▲	5 39277	(004937–006999)	Screw, Hex, M8 X 1.25 X 25, 8.8	1
▲	6 393244	(004937–006999)	Belt, V, [Hc41] 42.0l	1
▲	7 371526	(004937–006999)	Sleeve, Alternator	1
▲	8 20177	(004937–006999)	Screw, Hex, .38–16 X 4.00, 5	1
▲	9 50902	(004937–006999)	Nut, Hex, Lock, .38–16, NI	1
▲	10 21195	(004937–006999)	Screw, Hex, .38–16 X 0.75, 5	1
▲	11 1008538	(004937–006999)	Bracket, Guard, Alternator, Hd [Gm3.0l]	1
▲	12 21237	(004937–006999)	Screw, Hex, M4 X 0.7 X 6, 8.8	1
▲	13 32978	(004937–006999)	Washer, Lock, Int, #08	1
▲	14 1008094	(004937–006999)	Bracket, Mtg, Alternator, Lower,[Gm3.0l]	1
▲	15 07274	(004937–006999)	Tube, 01.00d 00.44b 00.7l Stl Plt	2
▲	16 32485	(004937–006999)	Washer, Flat, .38 Sae	5
▲	17 27990	(004937–006999)	Screw, Hex, .38–16 X 2.25, 5	2
▲	18 1008519	(004937–006999)	Arm, Alternator, Hd [Gm3.0l]	1
▲	19 50902	(004937–006999)	Nut, Hex, Lock, .38–16, NI	2
▲	20 39277	(004937–006999)	Screw, Hex, M8 X 1.25 X 25, 8.8	1
▲	21 41142	(004937–006999)	Washer, Lock, Int–ext, .38	2
▲	22 16735	(004937–006999)	Screw, Hex, M8 X 1.25 X 16, 8.8	2
▲	23 1019513	(004937–006999)	Plate, Shield, Heat	1
▲	24 1008513	(004937–006999)	Angle, Heat, Shield	1
▲	25 07791	(004937–006999)	Nut, Hex, Flng, M8 X 1.25	2
▲	26 21197	(004937–006999)	Screw, Hex, .38–16 X 1.00, 5	1
▲	27 41186	(004937–006999)	Washer, Belleville, .31	1

Fig. 48 – Heavy Duty Alternator Kit, GM (007000-)

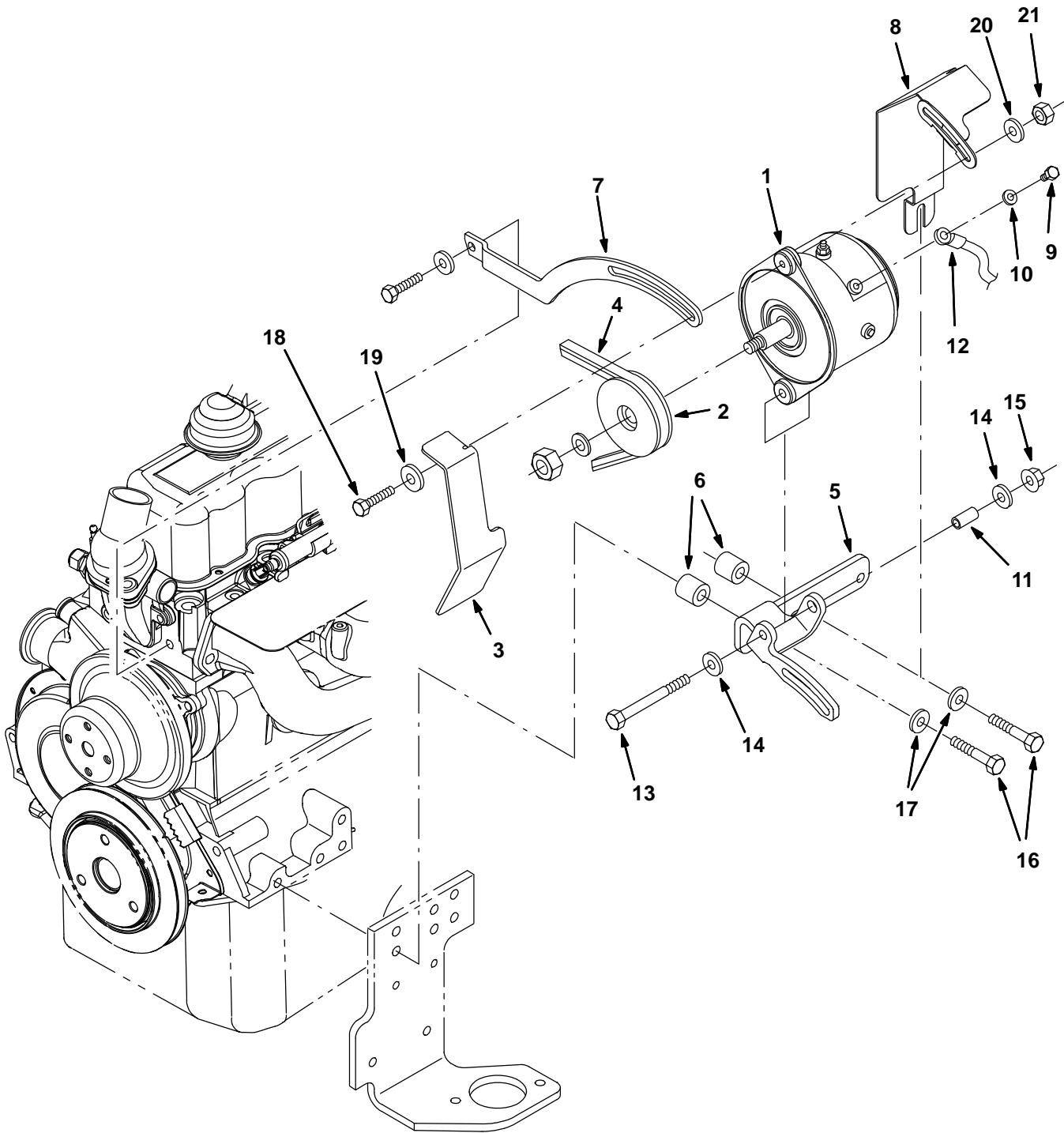


Fig. 48 – Heavy Duty Alternator Kit, GM (007000–)

	Ref.	Part No.	Serial Number	Description	Qty.
▽		9002915	(007000–)	Alternator Kit, Hd, Gas/Lpg, Ci[800/810]	1
▲	1	1030627	(007000–)	Alternator, Se [800/810, 07]	1
▲	2	77555	(007000–)	Sheave, 01grv, 03.5pd 0.67b [3l]	1
▲	3	1030762	(007000–)	Bracket, Guard, Alternator, Hd [800/810]	1
▲	4	78772	(007000–)	Belt, V, 45.1l [Hc38]	1
▲	5	1030654	(007000–)	Bracket, Mtg, Alternator, Hd[800/810 07]	1
▲	6	35756	(007000–)	Tube, 0.50id 1.00od 01.0l, Stl, Pntd	2
▲	7	1030708	(007000–)	Arm, Adj, Alternator, Hd [800/810 07]	1
▲	8	1032904	(007000–)	Shield, Heat, Alternator, Hd[800/810 07]	1
▲	9	21237	(007000–)	Screw, Hex, M4 X 0.7 X 6, 8.8	1
▲	10	32978	(007000–)	Washer, Lock, Int, #08	1
▲	11	371526	(007000–)	Sleeve, Alternator	1
▲	12	31525	(007000–)	Wire, 10ga 16.0l Blk .25ring /.38ring	1
▲	13	20177	(007000–)	Screw, Hex, .38–16 X 4.00, G5	1
▲	14	32495	(007000–)	Washer, Flat, 0.75, Std	2
▲	15	50902	(007000–)	Nut, Hex, Lock, .38–16, NI	1
▲	16	27992	(007000–)	Screw, Hex, .38–16 X 2.50, G5	2
▲	17	32485	(007000–)	Washer, Flat, 0.38, Sae	2
▲	18	04375	(007000–)	Screw, Hex, M8 X 1.25 X 40, 8.8, FI	1
▲	19	41186	(007000–)	Washer, Flat, Belleville, .31	1
▲	20	32491	(007000–)	Washer, Flat, 0.31, Std	1
▲	21	08709	(007000–)	Nut, Hex, Lock, M8 X 1.25, NI	1

Fig. 49 – Vacuum Wand Kit (004000-008088)

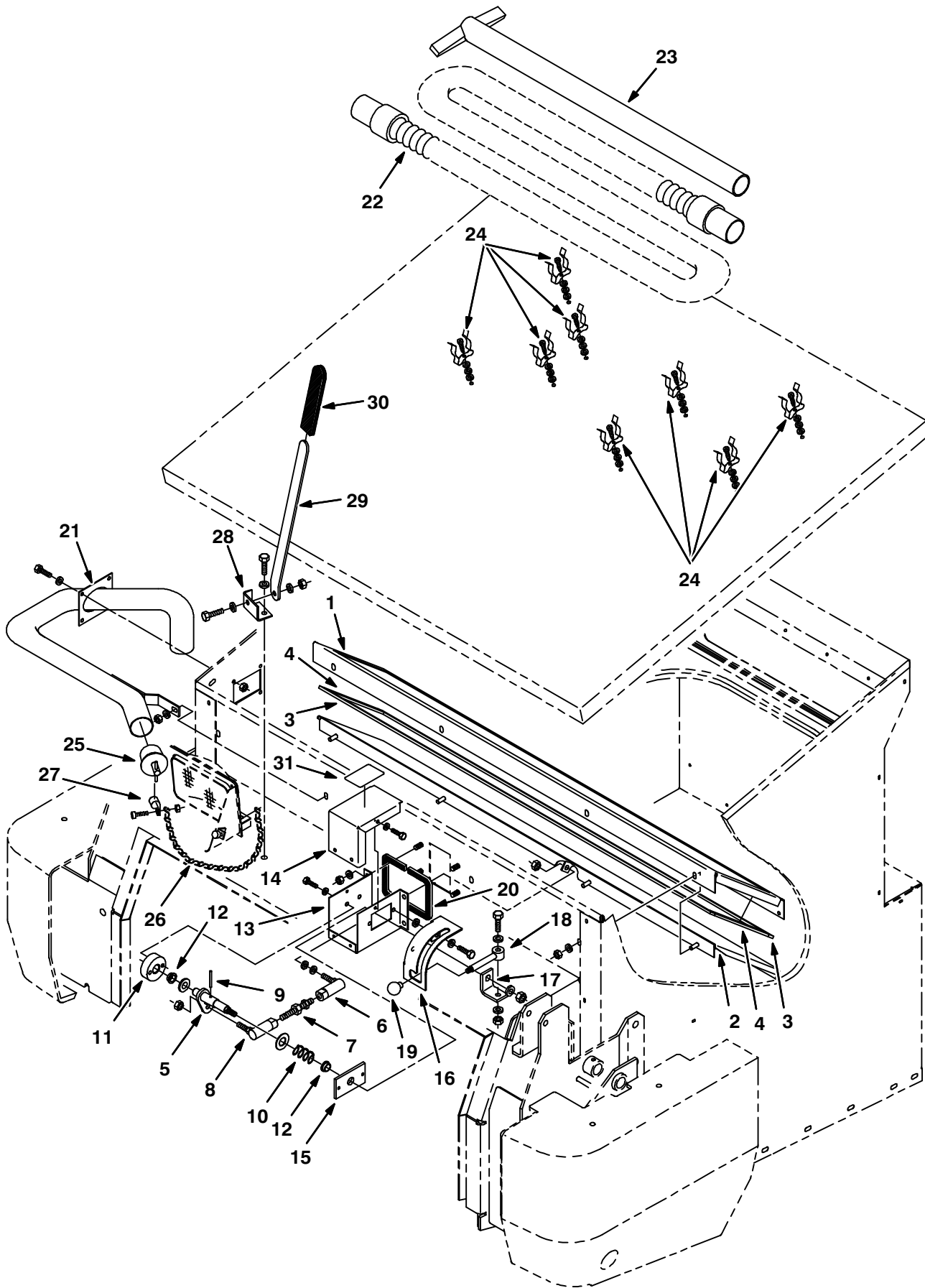


Fig. 49 – Vacuum Wand Kit (004000–008088)

	Ref.	Part No.	Serial Number	Description	Qty.
▽		70668	(004000–008088)	Wand Kit, Vac	1
▲	1	73871	(004000–008088)	Plate, Mounting, Vac Door	1
▲	2	75701	(004000–008088)	Plate Wldt, Vac Door	1
▲	3	75876	(004000–008088)	Seal, Foam Rbr, .19 .75W 47.1L	2
▲	4	75877	(004000–008088)	Seal, Foam Rbr .19 .75W 8.43L	2
▲	5	21047	(004000–008088)	Shaft	1
▲	6	82962	(004000–008088)	Balljoint .375–24 Lh	1
▲	7	11676	(004000–008088)	Stud, Adjustment	1
▲	8	51531	(004000–008088)	Ball Joint .375–24	1
▲	9	23146	(004000–008088)	Pin,Roll,.18Odx1.62L,.187/.192	1
▲	10	19035	(004000–008088)	Sprng,Comp,0.83ldx.07Wire 1.0L	1
▲	11	21041	(004000–008088)	Disk	1
▲	12	04843	(004000–008088)	Bearing, Flange .625 Bore	2
▲	13	21054	(004000–008088)	Box, Mounting, Lever, Vac	1
▲	14	21104	(004000–008088)	Panel, Cover	1
▲	15	73880	(004000–008088)	Plate	1
▲	16	79646	(004000–008088)	Plate, Latch	1
▲	17	79647	(004000–008088)	Angle	1
▲	18	79644	(004000–008088)	Handle	1
▲	19	26565	(004000–008088)	Knob,0.38–16,1.25Dia,Plastic	1
▲	20	79674	(004000–008088)	Seal	1
▲	21	74074	(004000–008088)	Adaptor Wldt, Vac Wand	1
▲	22	54009	(004000–008088)	Hose&2Cuff Assy,Vinyl2.0ld10Ft	1
▲	23	54012	(004000–008088)	Wand	1
▲	24	36158	(004000–008088)	Clip Finger Grip	8
▲	25	42124	(004000–008088)	Plug, Drain	1
▲	26	374012	(004000–008088)	Chain, Jack, #12, 08.5l 11 Links	1
▲	27	26395–2	(004000–008088)	Clamp–Cable, 0.38Dia 0.38Wth	1
▲	28	76286	(004000–008088)	Adaptor Wldt, Vac Wand	1
▲	29	76338	(004000–008088)	Bar, Prop	1
▲	30	70659	(004000–008088)	Grip, Handle, Flat	2
▲	31	76406	(004000–008088)	Label, Vac Wand	1

Fig. 50 – Vacuum Wand Kit (008089–)

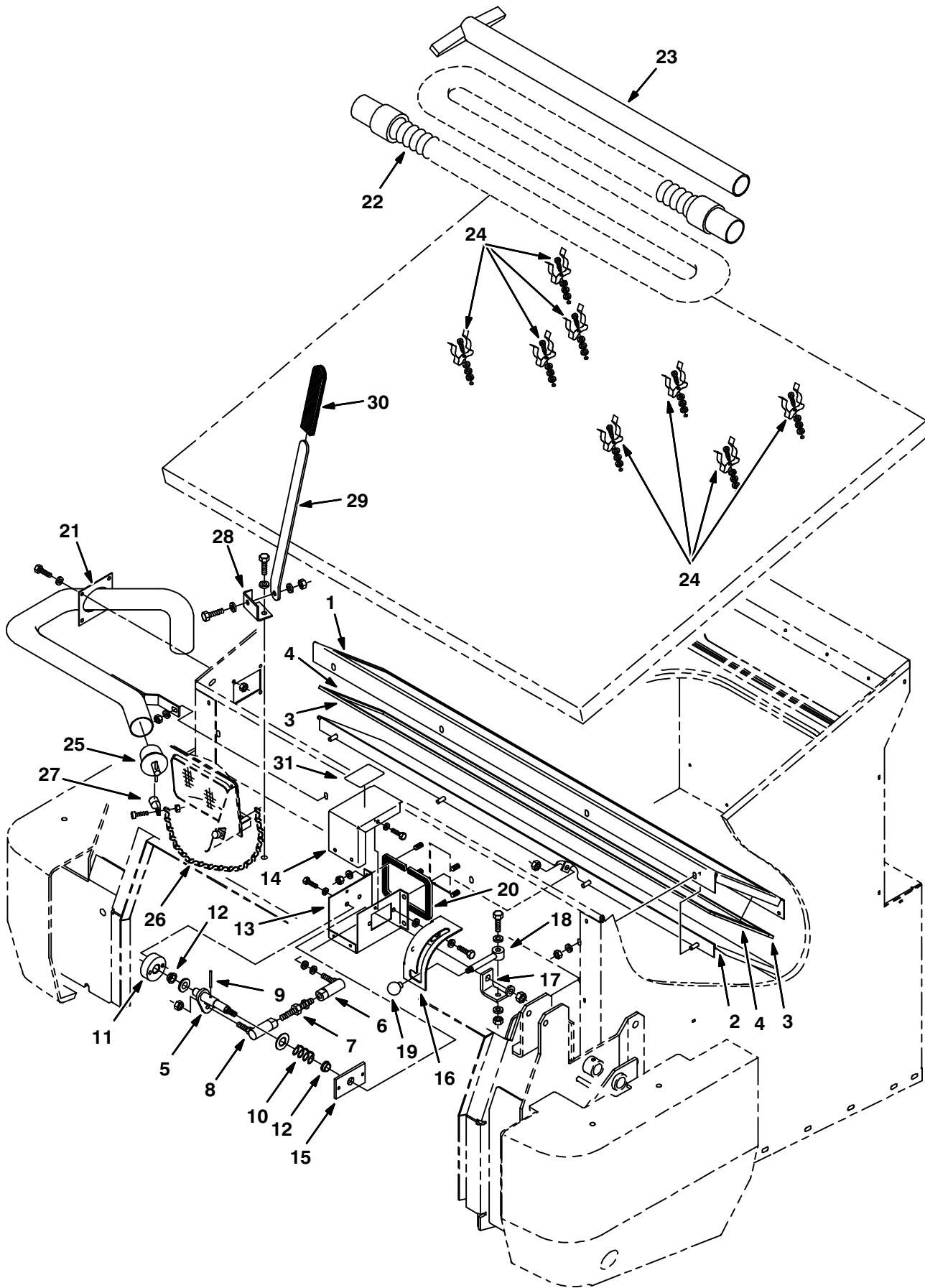


Fig. 50 – Vacuum Wand Kit (008089–)

	Ref.	Part No.	Serial Number	Description	Qty.
▽		9012878	(008089–)	Wand, Vacuum [800 Gray]	1
▲	1	73871	(008089–)	Plate, Mounting, Vac Door	1
▲	2	75701	(008089–)	Plate Wldt, Vac Door	1
▲	3	75876	(008089–)	Seal, Foam Rbr, .19 .75W 47.1L	2
▲	4	75877	(008089–)	Seal, Foam Rbr .19 .75W 8.43L	2
▲	5	21047	(008089–)	Shaft	1
▲	6	82962	(008089–)	Balljoint .375–24 Lh	1
▲	7	11676	(008089–)	Stud, Adjustment	1
▲	8	51531	(008089–)	Ball Joint .375–24	1
▲	9	23146	(008089–)	Pin,Roll,.18Odx1.62L,.187/.192	1
▲	10	19035	(008089–)	Sprng,Comp,0.83ldx.07Wire 1.0L	1
▲	11	21041	(008089–)	Disk	1
▲	12	04843	(008089–)	Bearing, Flange .625 Bore	2
▲	13	21054	(008089–)	Box, Mounting, Lever, Vac	1
▲	14	21104	(008089–)	Panel, Cover	1
▲	15	73880	(008089–)	Plate	1
▲	16	79646	(008089–)	Plate, Latch	1
▲	17	79647	(008089–)	Angle	1
▲	18	79644	(008089–)	Handle	1
▲	19	26565	(008089–)	Knob,0.38–16,1.25Dia,Plastic	1
▲	20	79674	(008089–)	Seal	1
▲	21	74074	(008089–)	Adaptor Wldt, Vac Wand	1
▲	22	54009	(008089–)	Hose&2Cuff Assy,Vinyl2.0ld10Ft	1
▲	23	1073868	(008089–)	Wand Wldt [800 Gray]	1
▲	24	36158	(008089–)	Clip Finger Grip	8
▲	25	42124	(008089–)	Plug, Drain	1
▲	26	374012	(008089–)	Chain, Jack, #12, 08.5l 11 Links	1
▲	27	26395–2	(008089–)	Clamp–Cable, 0.38Dia 0.38Wth	1
▲	28	76286	(008089–)	Adaptor Wldt, Vac Wand	1
▲	29	76338	(008089–)	Bar, Prop	1
▲	30	70659	(008089–)	Grip, Handle, Flat	2
▲	31	76406	(008089–)	Label, Vac Wand	1

Fig. 51 – Side Brush Dust Control Kit (004000–008088)

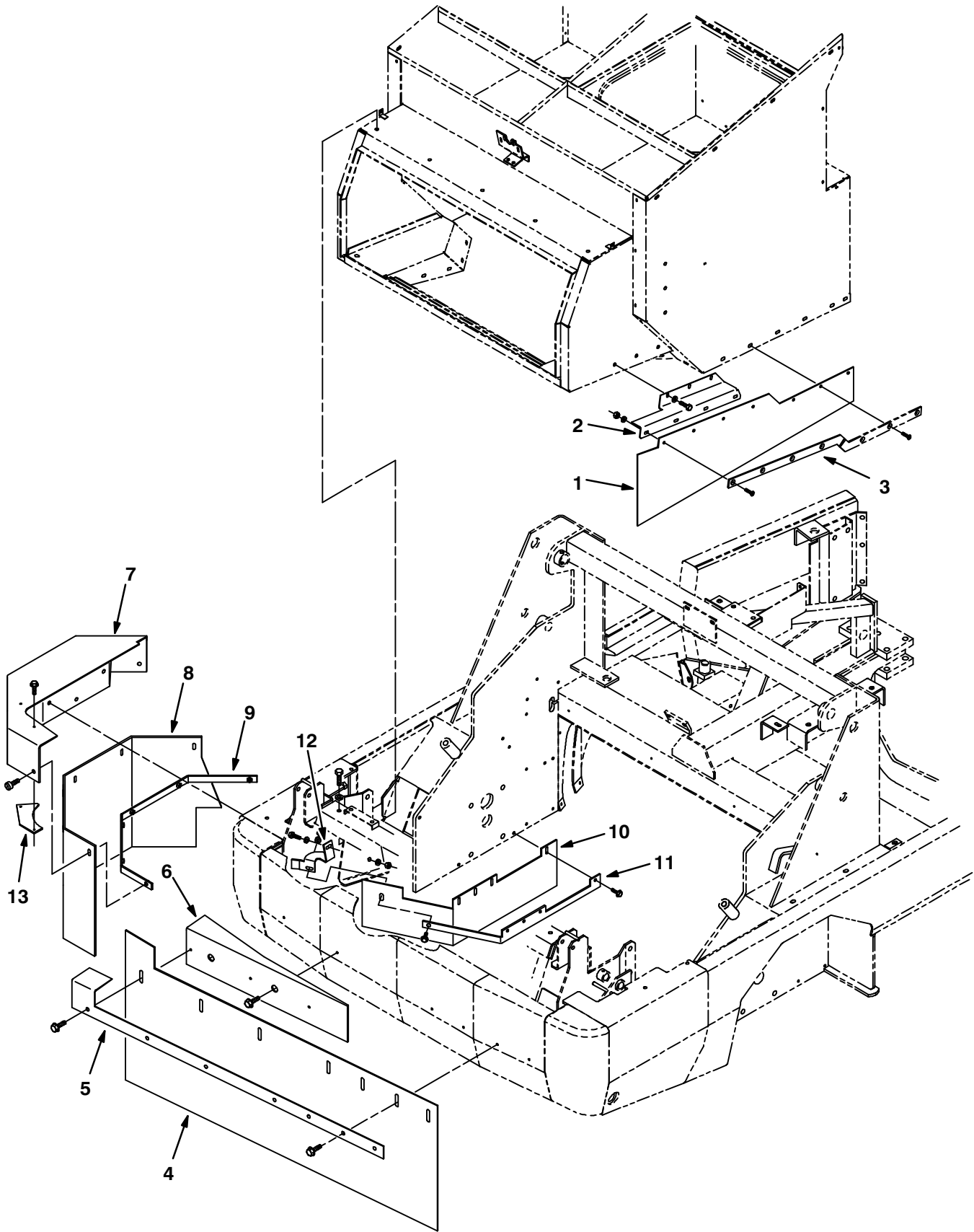


Fig. 51 – Side Brush Dust Control Kit (004000–008088)

	Ref.	Part No.	Serial Number	Description	Qty.
▽		76100	(004000–008088)	Dust Control Kit, Side Brush	1
▲	1	76036	(004000–008088)	Skirt, Deflection	1
▲	2	76030	(004000–008088)	Bracket, Mounting, Skirt	1
▲	3	76038	(004000–008088)	Strip, Retainer, Skirt	1
▲	4	75901	(004000–008088)	Skirt, Cover, Sbdc	1
▲	5	76049	(004000–008088)	Skirt, Retainer	1
▲	6	77759	(004000–008088)	Bracket Wldt	1
▲	7	75989	(004000–008088)	Plate Wldt, Skirt	1
▲	8	76069	(004000–008088)	Skirt, Cover, Sbdc	1
▲	9	76055	(004000–008088)	Plate, Retainer	1
▲	10	76074	(004000–008088)	Skirt	1
▲	11	76081	(004000–008088)	Skirt	1
▲	12	76084	(004000–008088)	Bracket	1
▲	13	77755	(004000–008088)	Plate	1

Fig. 52 – Side Brush Dust Control Kit (008089-)

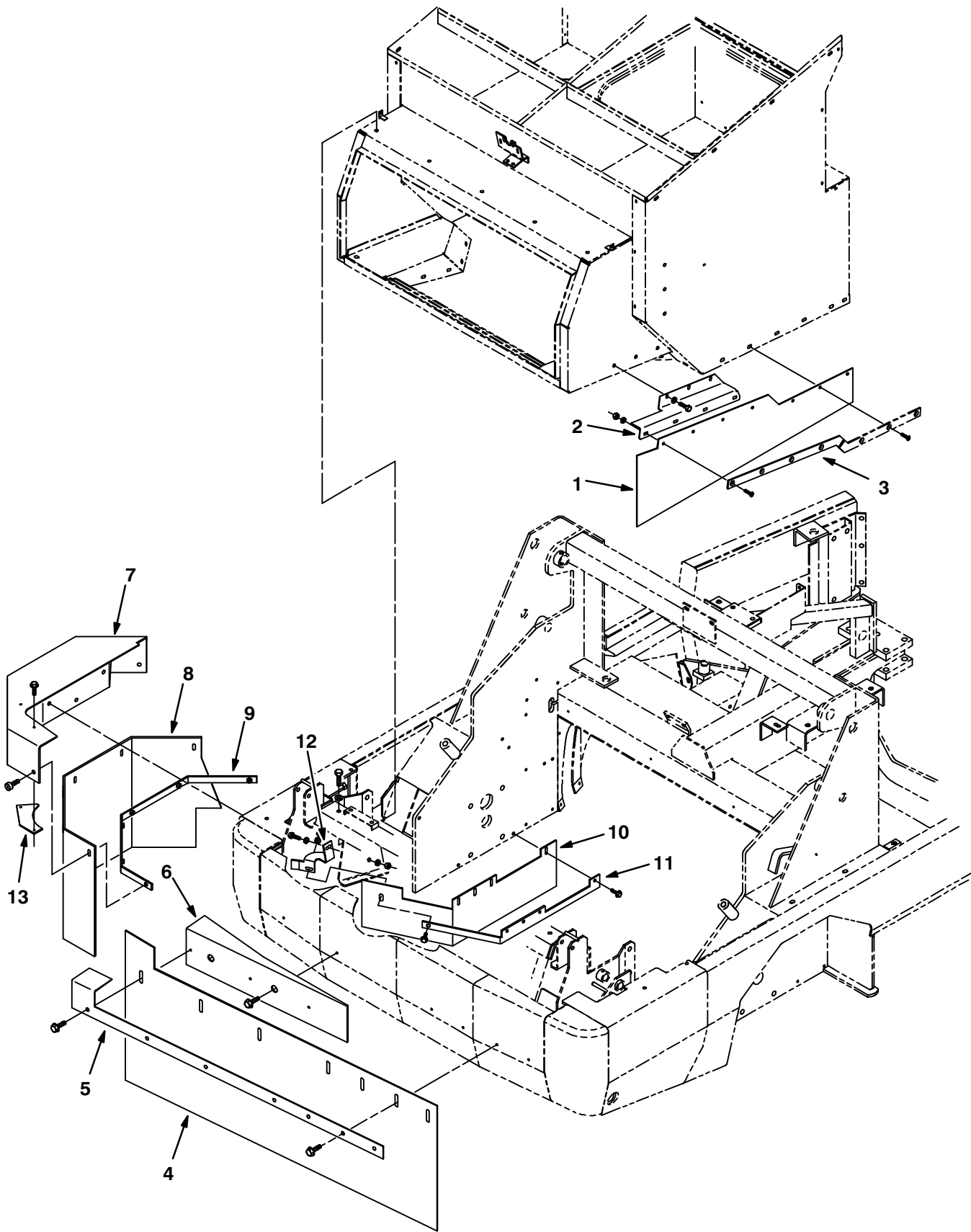
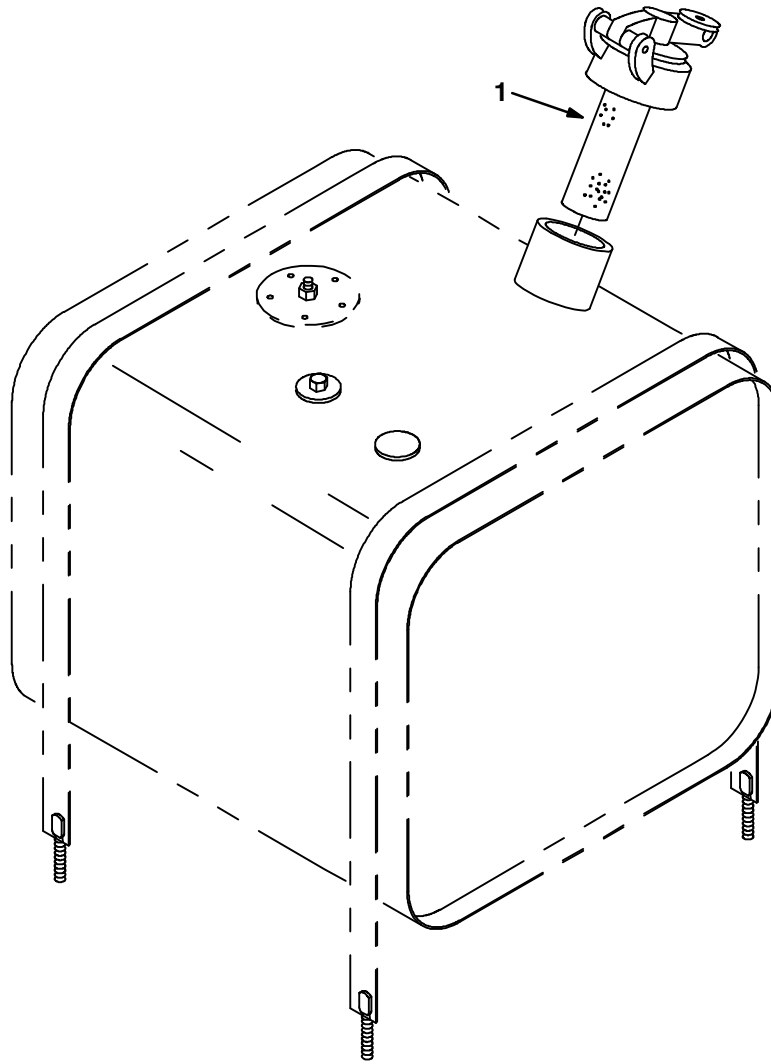


Fig. 52 – Side Brush Dust Control Kit (008089–)

	Ref.	Part No.	Serial Number	Description	Qty.
▽		9012889	(008089–)	Dust Cntrl Kit, Side Brush, Ci[800lgray]	1
▲	1	76036	(008089–)	Skirt, Deflection	1
▲	2	76030	(008089–)	Bracket, Mounting, Skirt	1
▲	3	76038	(008089–)	Strip, Retainer, Skirt	1
▲	4	75901	(008089–)	Skirt, Cover, Sbdc	1
▲	5	1074310	(008089–)	Retainer, Skirt, .12, 2.0w X 54.5l	1
▲	6	1073949	(008089–)	Bracket Wldt, Mtg, Skirt, Sbdc[800 Gray]	1
▲	7	1073926	(008089–)	Plate Wldt, Skirt [Gray]	1
▲	8	76069	(008089–)	Skirt, Cover, Sbdc	1
▲	9	76055	(008089–)	Plate, Retainer	1
▲	10	76074	(008089–)	Skirt	1
▲	11	76081	(008089–)	Skirt	1
▲	12	76084	(008089–)	Bracket	1
▲	13	1073948	(008089–)	Plate, Skirt, Sbdc [800 Gray]	1

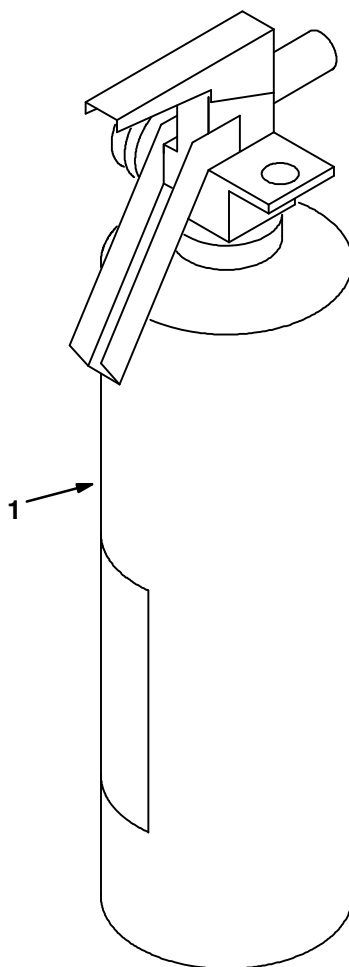
Fig. 53 – Protectoseal Fuel Tank Cap Group



07471 – ALL

Ref.	Part No.	Serial Number	Description	Qty.
1	02506-6	(004000-)	Gas Cap, Protectoseal	1

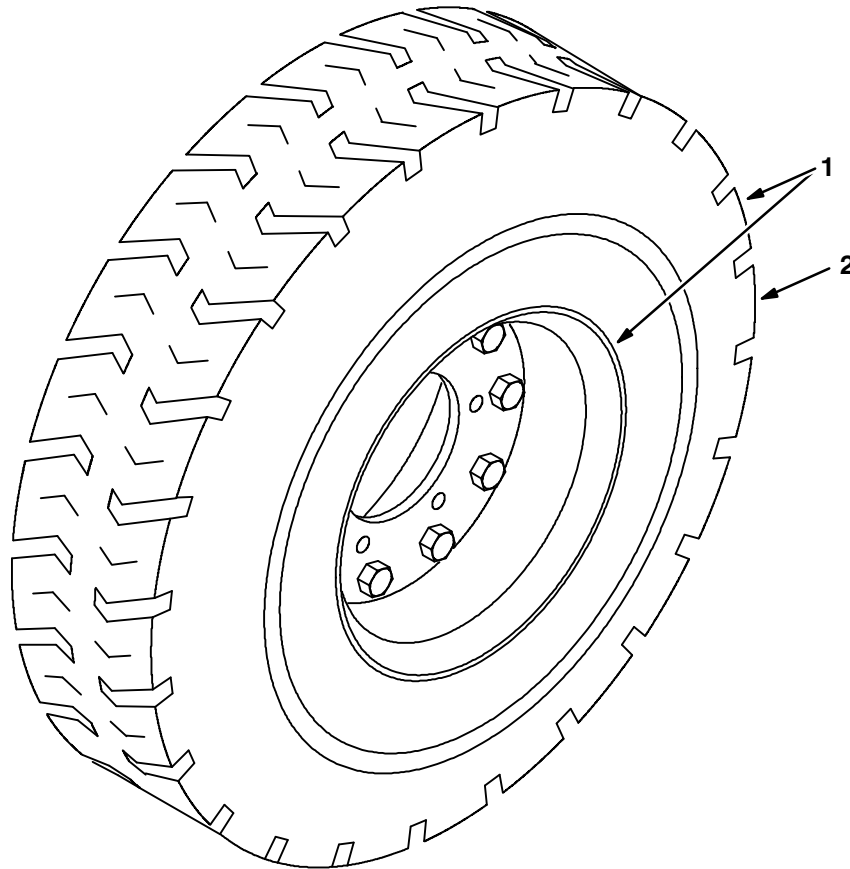
Fig. 54 – Fire Extinguisher Kit



07516 – JP, NA

	Ref.	Part No.	Serial Number	Description	Qty.
▽		70692	(004000–) Extinguisher Kit Fire 800	1
▲	1	25312	(004000–) Extinguisher, Fire	

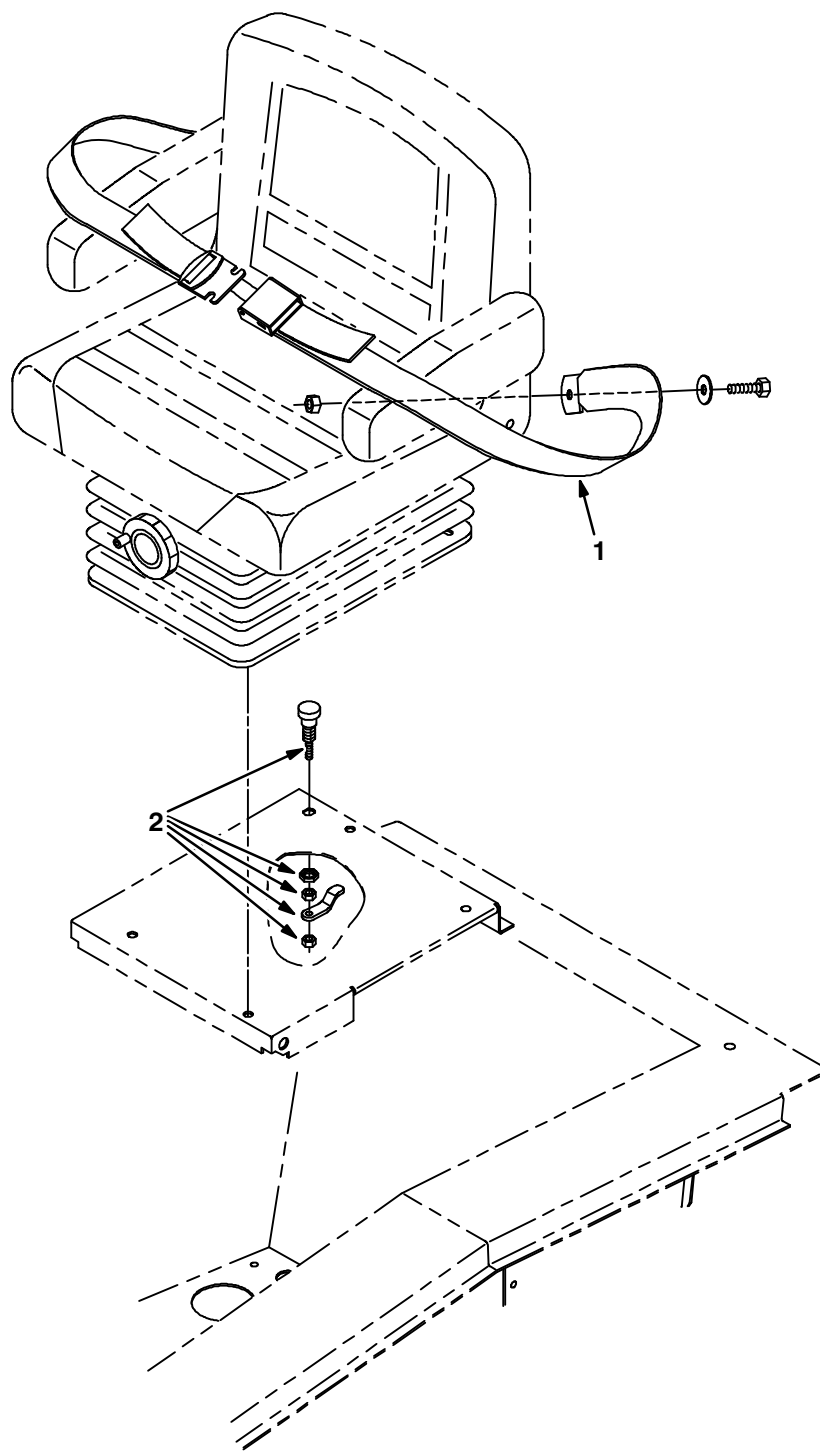
Fig. 55 – Solid Tire and Rim Assembly



07666 – ALL

	Ref.	Part No.	Serial Number	Description	Qty.
▽	1	21671	(004000–)	Tire and Rim Assy, Solid 6.5	1
▲	2	63228	(004000–)	Tire, Solid	1

Fig. 56 – Seat Belt Kit



07674 – ALL

	Ref.	Part No.	Serial Number	Description	Qty.
▽		70690	(004000–) Seat Belt Kit	1
▲	1	30533	(004000–) Belt, Seat	1
▲	2	87337	(004000–) Latch, Door	1

Fig. 57 – RFS Filter System Group

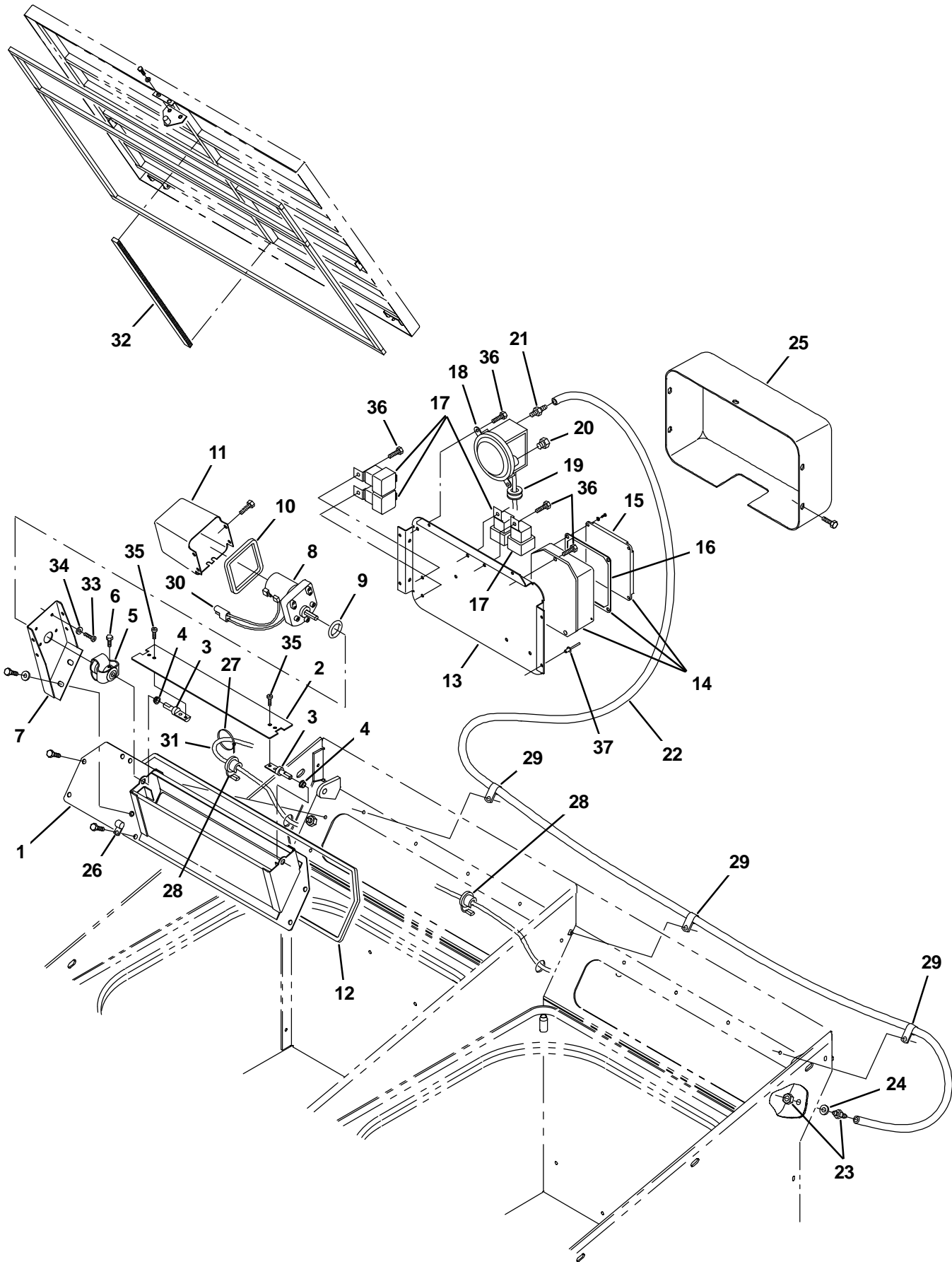


Fig. 57 – RFS Filter System Group

	Ref.	Part No.	Serial Number	Description	Qty.
▽		79174	(004000–)	Rfs Kit	1
▲	1	79160	(004000–)	Duct Wldt, Rfs	2
▲	2	79156	(004000–)	Plate, Shutter	2
▲	3	79159	(004000–)	Shaft, Pivot	4
▲	4	11747	(004000–)	Bearing, Nylon	4
▲	5	79158	(004000–)	Coupling	2
▲	6	42011	(004000–)	Screw, Hex, 10–24 X 0.50, Ss	4
▲	7	79157	(004000–)	Bracket, Mounting, Gearmotor	2
▲	8	79170	(004000–)	Motor, Ele, Geared, 12Vdc	2
▲	9	79172	(004000–)	Seal, O–Ring .787Idx.210Th	2
▲	10	79167	(004000–)	Seal	2
▲	11	79155	(004000–)	Cover, Motor	2
▲	12	79168	(004000–)	Seal	2
▲	13	79177	(004000–)	Plate, Mounting, Rfs Control	1
▲▽	14	79176	(004000–)	Controller Assy, Rfs	1
▲▲	15	59954	(004000–)	Cover, Housing, Electrical	1
▲▲	16	59921	(004000–)	Gasket, Cover, Alum	1
▲	17	56186	(004000–)	Relay, Shrouded, 12 Vdc	4
▲	18	75465	(004000–)	Switch, Pressure	1
▲	19	10632–4	(004000–)	Grommet,Rbr,0.62ld,For .06Matl	1
▲	20	82739	(004000–)	Ftg, Breather	1
▲	21	40607	(004000–)	Ftg,Brass,St Bm03/Pm02	1
▲	22	21301	(004000–)	Hose, Vacuum, .16 Id X 76.0 Lg	1
▲	23	39923	(004000–)	Ftg,Bulkhead–Barb Wh 1074X4	1
▲	24	43454	(004000–)	Washer, .344B .69D .06Nylon	1
▲	25	79169	(004000–)	Cover, Electrical	1
▲	26	40678	(004000–)	Clamp,Cable .44D .62Wide	2
▲	27	49266	(004000–)	Tie, Cable 1.75D Max 7.50Lg	12
▲	28	34864	(004000–)	Strain,Relief	2
▲	29	46236	(004000–)	Clamp–Cable, 0.25Dia 0.56Wth	3
▲	30	79025	(004000–)	Harness, Motor, Duct	2
▲	31	79026	(004000–)	Harness, Hopper, Rfs	1
▲		83706	(004000–)	Harness, Rfs Jumper	1
▲	32	70851	(004000–)	Seal, Urethane	1
▲		44961	(004000–)	Tie, Cable 4.00 Max 14.50Lg	28
▲		23935	(004000–)	Seal, Filter	2
▲		1064188	(004000–)	Circuitbreaker, 15.0a, Resetable	2
▲	33	49766	(004000–)	Screw, Hex, #08–32 X 0.38, Ss	8
▲	34	02938	(004000–)	Washer, Lock, Int, 08 Ss	8
▲	35	06932	(004000–)	Screw, Pan, M5 X 0.80 X 10, 4.8	8
▲	36	74455	(004000–)	Screw, Hex, M6 X 1.0 X 12, Fmg	9
▲	37	34738	(004000–)	Rivet, Blind, .125d X 0.32 X .25d, Stl	6

Fig. 58 – Cab AC Drain Hose Kit

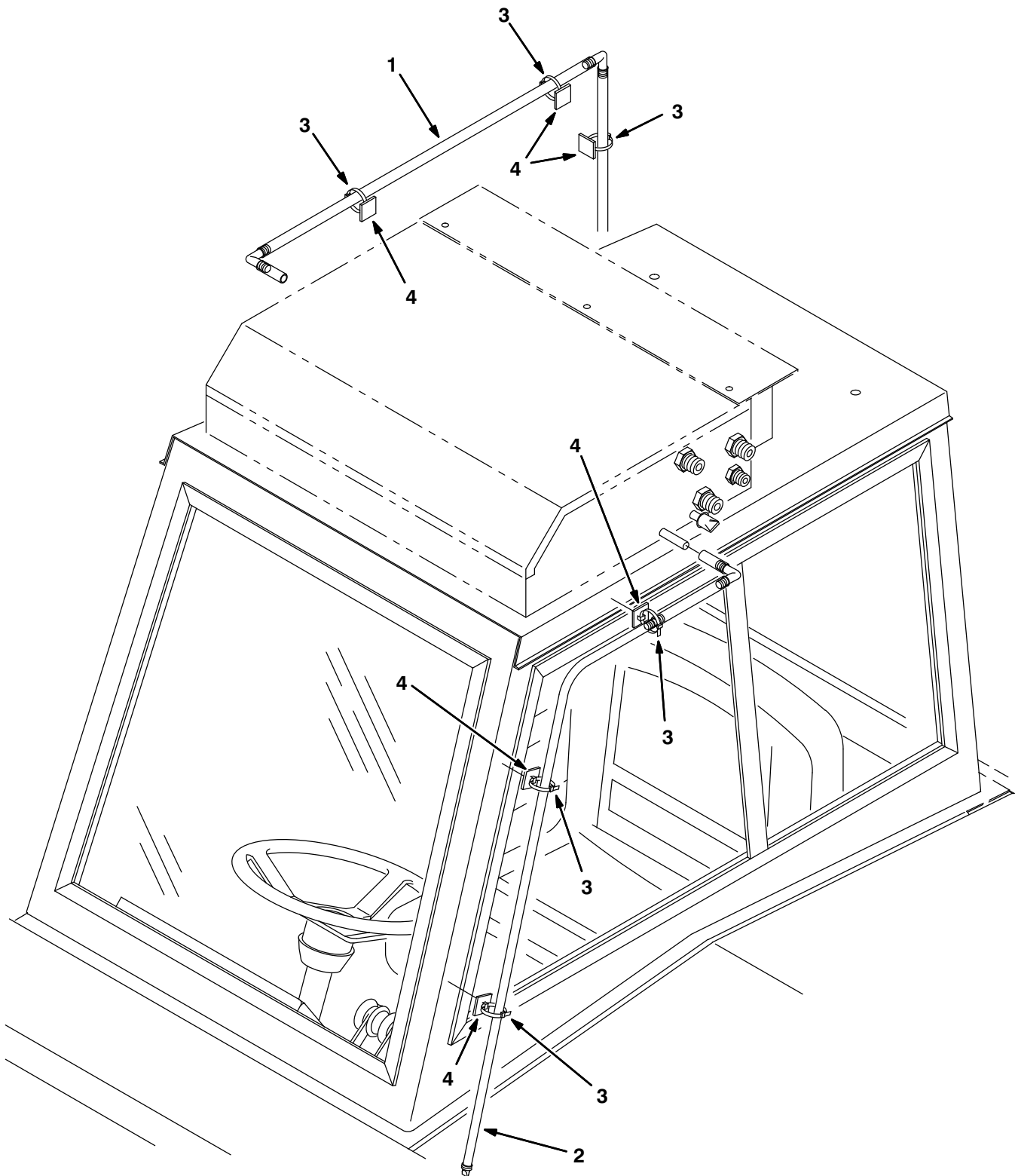
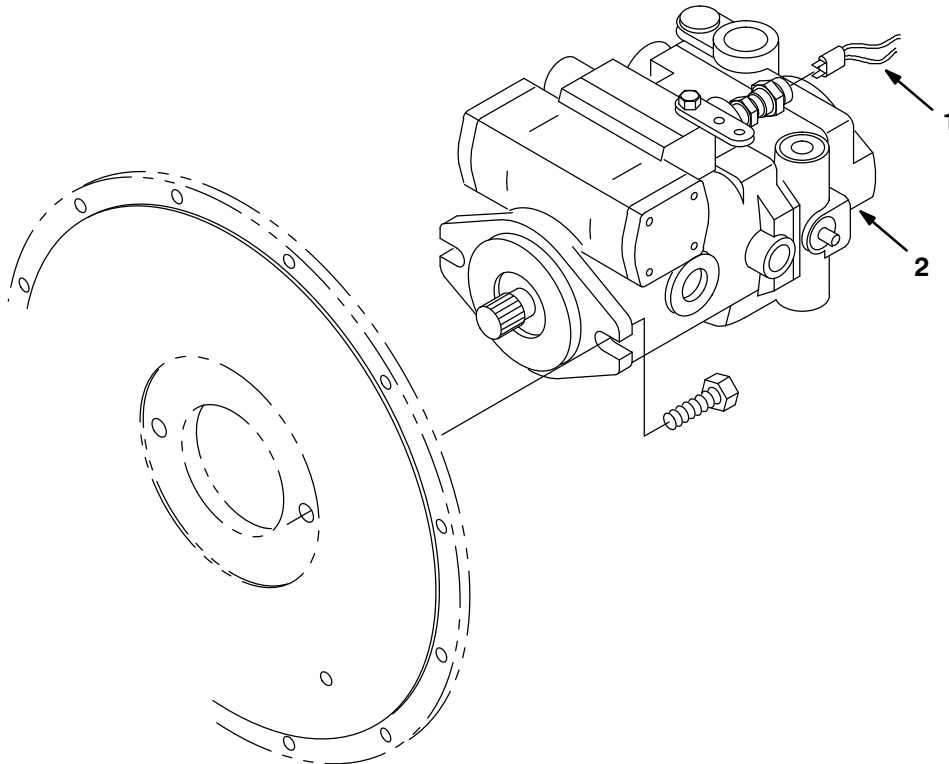


Fig. 58 – Cab AC Drain Hose Kit

	Ref.	Part No.	Serial Number	Description	Qty.
▽		374133	(004000–)	Kit, Ci, Drain Hose, A/C	1
▲	1	374134	(004000–)	Hose Assy, Drain, A/C	1
▲	2	374135	(004000–)	Hose Assy, Drain, A/C	1
▲	3	49266	(004000–)	Tie, Cable, Nyl, 07.3l .19w 1.8 Max D	10
▲	4	55248	(004000–)	Mount, Cable Tie	10

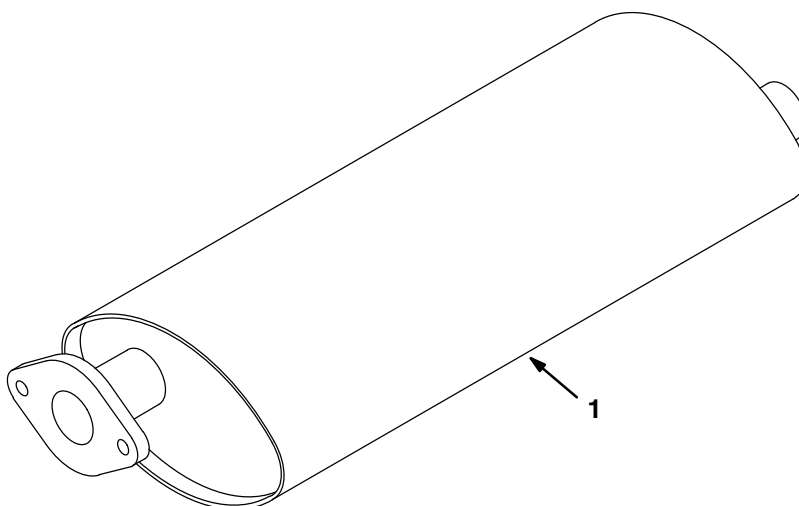
Fig. 59 – Neutral Start Group



09831 – ALL

Ref.	Part No.	Serial Number	Description	Qty.
1	63407	(004000–)	Harness, Neutral, Start	1
2	74164	(004000–004586)	Pump, Hyd Piston V 2.48 (See breakdowns)	1
2	373405	(004587–)	Pump, Hyd Piston V 2.48 (See breakdowns)	1

Fig. 60 – Muffler Group, Non-Catalytic



09831 – GM, G, LP

Ref.	Part No.	Serial Number	Description	Qty.
1	1012634	(006000–006999)	Muffler, Exhaust	1

Fig. 61 – Documentation Group

Ref.	Part No.	Serial Number	Description	Qty.
	330120	(004000–)	Manual Pkg 800G	1
	MM337	(004000–)	Manual, Service 800/810	1
	393223	(004000–)	Manual, Service, Eng, [Gm 3.0L]	1
	21791	(004000–)	Manual, Service FD (Lrg) 2.3L	1
	385439	(004000–)	Manual, Service FD (Lrg) 2.5L	1
	330122	(004000–)	Manual Op/Mt 800G Spanish	1
	330123	(004000–)	Manual Op/Mt 800G French	1
	1052092	(004000–)	Video, Oprtr, Training, Dvd [800]	1
	9003927	(007000–)	Manual, Eng, Cd–Rom [Tier li,Gm3.0l]	1



To view, print, order, download the latest Parts manual, other language Operator manuals, and Use and Care Guides (wall charts), visit:

www.tennantco.com/manual

SECTION 4

Contents	Page	Contents	Page
Fig. 1 – Hydraulic Piston Pump Breakdown, 74163	4–2	Fig. 27 – Cab Assembly	4–46
Fig. 2 – Hydraulic Piston Pump Breakdown, 74163	4–4	Fig. 28 – Cab Door Assembly (000000–008088)	4–48
Fig. 3 – Hydraulic Piston Pump Breakdown, 373404	4–6	Fig. 29 – Cab Door Assembly (008089–)	4–50
Fig. 4 – Hydraulic Piston Pump Breakdown, 373404	4–8	Fig. 30 – Cab Insulation Group	4–52
Fig. 5 – Hydraulic Manual Control Breakdown, 74273	4–10	Fig. 31 – Cab Wire Harness Group	4–54
Fig. 6 – Hydraulic Piston Pump Breakdown, 74164	4–12	Fig. 32 – AC Condenser Box Breakdown, 380625 (000000–008088)	4–55
Fig. 7 – Hydraulic Piston Pump Breakdown, 74164	4–14	Fig. 33 – AC Condenser Box Breakdown, 9012898 (008089–)	4–56
Fig. 8 – Hydraulic Piston Pump Breakdown, 373405	4–16	Fig. 34 – AC and Heater Box Breakdown, 380613 (000000–008088)	4–58
Fig. 9 – Hydraulic Piston Pump Breakdown, 373405	4–18	Fig. 35 – AC and Heater Box Breakdown, 1073904 (008089–)	4–60
Fig. 10 – Hydraulic Manual Control Breakdown, 373369	4–20	Fig. 36 – Heater Box Breakdown, 380614 (000000–008088)	4–62
Fig. 11 – Hydraulic Gear Pump Breakdown, 62561	4–22	Fig. 37 – Heater Box Breakdown, 1073905 (008089–)	4–64
Fig. 12 – Hydraulic Gear Pump Breakdown, 373254	4–24	Fig. 38 – Brake Assy, Right Hand (R.h.) 77790	4–66
Fig. 13 – Hydraulic Motor Breakdown, 63426	4–26	Fig. 39 – Brake Assy, Left Hand (L.h.) 77770	4–68
Fig. 14 – Hydraulic Motor Breakdown, 22626	4–28	Fig. 40 – LPG EFI Breakdown, 371894	4–70
Fig. 15 – Hydraulic Motor Breakdown, 373464	4–30	Fig. 41 – LPG EFI Breakdown, 371895	4–72
Fig. 16 – Hydraulic Motor Breakdown, 53434	4–32	Fig. 42 – Gasoline EFI Breakdown, 371896	4–74
Fig. 17 – Hydraulic Motor Breakdown, 79781	4–33	Fig. 43 – Gasoline Electronic Fuel Ignition Breakdown, 371897	4–76
Fig. 18 – Hydraulic Motor Breakdown, 19117	4–34	Fig. 44 – Hydraulic Solenoid Valve Breakdown, 1049210	4–78
Fig. 19 – Hydraulic Motor Breakdown, 63542	4–35	Fig. 45 – Hydraulic Solenoid Valve Breakdown, 1049209	4–80
Fig. 20 – Hydraulic Steering Valve Breakdown, 65242	4–36	Fig. 46 – Hydraulic Solenoid Valve Breakdown, 1049211	4–82
Fig. 21 – Hydraulic Solenoid Valve Breakdown, 84015	4–38		
Fig. 22 – Hydraulic Solenoid Valve Breakdown, 84016	4–39		
Fig. 23 – Hydraulic Valve Breakdown, 375563	4–40		
Fig. 24 – Hydraulic Solenoid Valve Breakdown, 84014	4–42		
Fig. 25 – Hydraulic Cylinder Breakdown, 53601	4–44		
Fig. 26 – Hydraulic Cylinder Breakdown, 1026719	4–45		

Fig. 1 – Hydraulic Piston Pump Breakdown, 74163

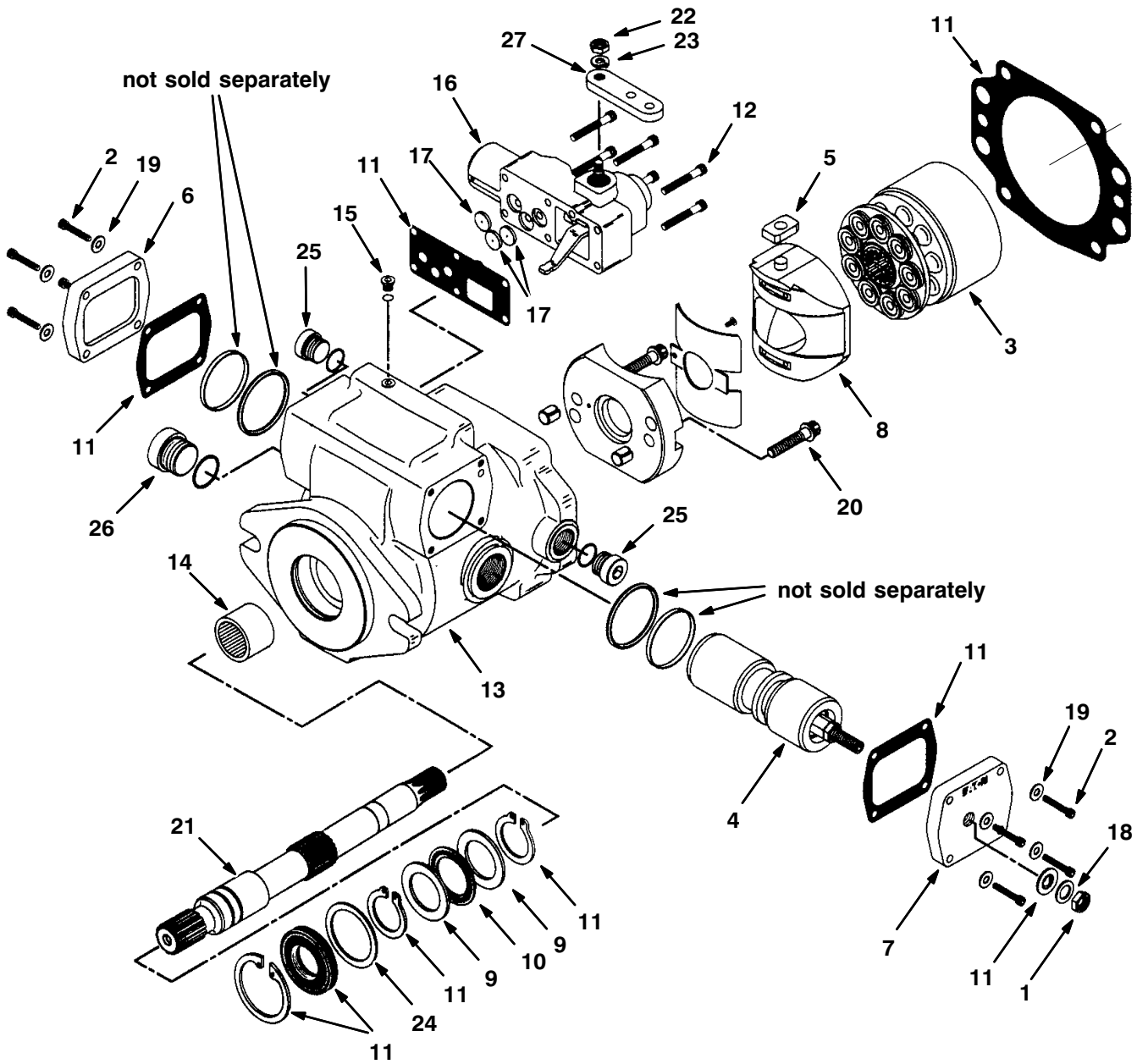


Fig. 1 – Hydraulic Piston Pump Breakdown, 74163

NOTE: Piston Pump, TENNANT Part Number 74163, includes Fig. 1, Fig. 2 and Fig. 5.

Ref.	Part No.	Serial Number	Description	Qty.
1	74184	(000000–)	Nut, Jam	1
2	74223	(000000–)	Screw, Cap	8
3	61882	(000000–)	Rotating Kit	1
4	74253	(000000–)	Piston, Servo	1
5	74254	(000000–)	Follower, Piston	1
6	74256	(000000–)	Plate, Cover En	1
7	74257	(000000–)	Plate, Cover En	1
8	74258	(000000–)	Camplate S/A En	1
9	74240	(000000–)	Race, Bearing Ce	2
10	74210	(000000–)	Bearing	1
11	74283	(000000–)	Seal Kit, Pump En	1
12	74262	(000000–)	Screw, Cap En	6
▽	74263	(000000–)	Housing S/A En	1
▲	13 79771	(000000–)	Housing En	1
▲	14 37462	(000000–)	Bearing	1
▲	15 79742	(000000–)	Plug S/A En	1
16	74273	(000000–)	Control, Manual (See Breakdowns)	1
17	74276	(000000–)	Orifice, Valve En	3
18	74280	(000000–)	Washer En	1
19	74281	(000000–)	Washer En	8
20	79747	(000000–)	Cap Screw En	2
21	74265	(000000–)	Shaft, Drive Sp En	1
22	74266	(000000–)	Nut En	1
23	74267	(000000–)	Lockwasher En	1
24	37460	(000000–)	Washer	1
25	13907	(000000–)	Plug #8	2
26	79779	(000000–)	Plug,#12 O–Ring Ph	1
27	74272	(000000–)	Arm, Control En	1

Fig. 2 – Hydraulic Piston Pump Breakdown, 74163

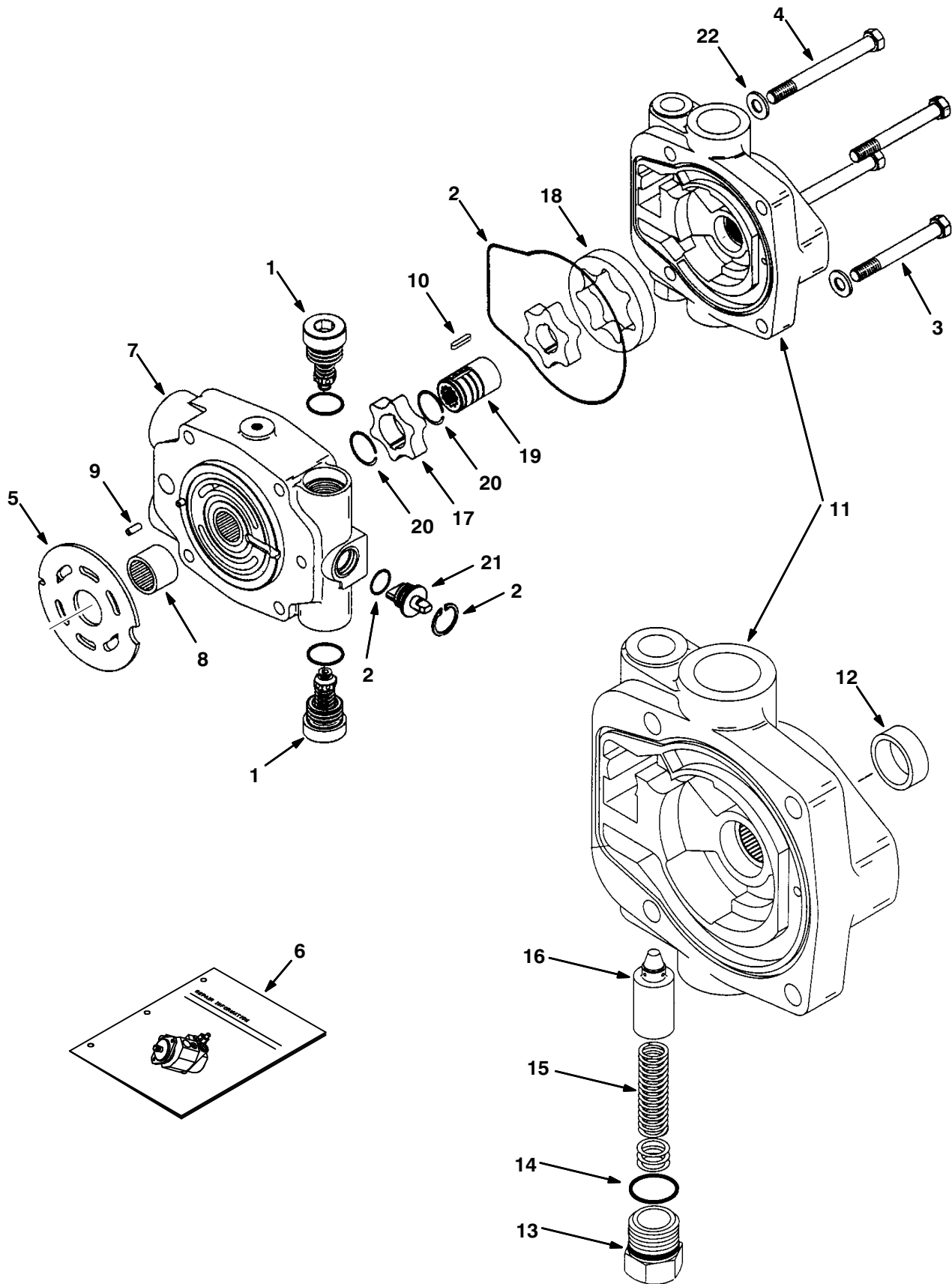


Fig. 2 – Hydraulic Piston Pump Breakdown, 74163

NOTE: Piston Pump, TENNANT Part Number 74163, includes Fig. 1, Fig. 2 and Fig. 5.

Ref.	Part No.	Serial Number	Description	Qty.
1	74259	(000000–)	Relief Valve Sa En	2
2	74283	(000000–)	Seal Kit, Pump En	1
3	74260	(000000–)	Screw, Cap En	2
4	74261	(000000–)	Screw, Cap En	2
5	61886	(000000–)	Valve Plate	1
6	79708	(000000–)	Repair Info,Pmp En	1
▽	7	74264	(000000–) Backplate S/A En	1
▲	8	34159	(000000–) Bearing	1
▲	9	79748	(000000–) Roll Pin En	1
10	74270	(000000–)	Key En	1
▽	11	74271	(000000–) Charge Pmp Adap En	1
▲	12	79749	(000000–) Bushing En	1
▲	13	79750	(000000–) Plug En	1
▲	14	79751	(000000–) Shims En	1
▲	15	79752	(000000–) Spring En	1
▲	16	79753	(000000–) Poppet En	1
17	74274	(000000–)	Geroter,Ring In En	1
18	74275	(000000–)	Geroter,Ring Ot En	1
19	74277	(000000–)	Coupler En	1
20	74278	(000000–)	Ring, Retaining En	2
21	74279	(000000–)	Actuator, Valve En	1
22	74282	(000000–)	Washer En	4

Fig. 3 – Hydraulic Piston Pump Breakdown, 373404

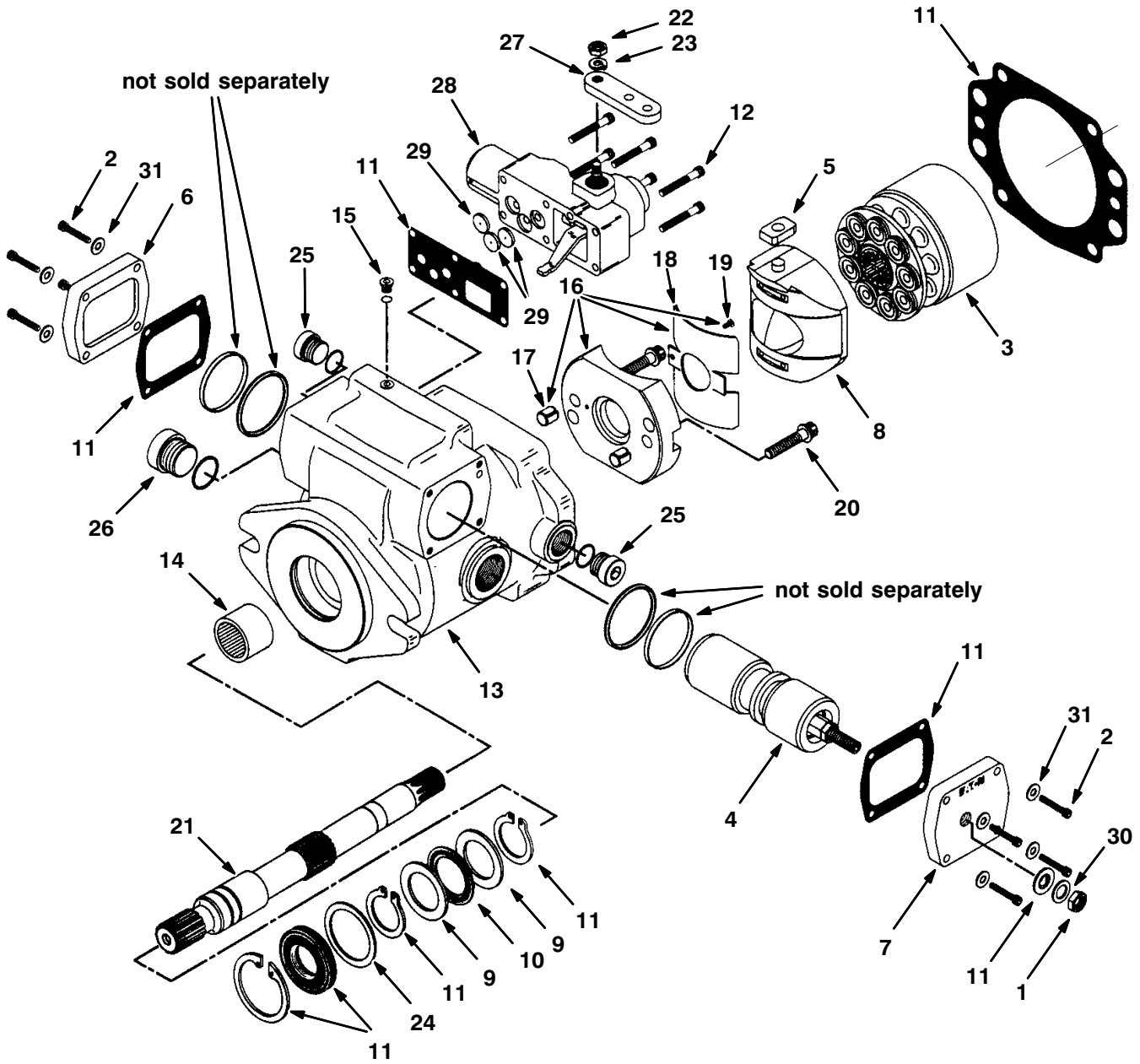


Fig. 3 – Hydraulic Piston Pump Breakdown, 373404

NOTE: Piston Pump, TENNANT Part Number 373404, includes Fig. 3, Fig. 4 and Fig. 5.

Ref.	Part No.	Serial Number	Description	Qty.
1	74184	(000000–)	Nut, Jam	1
2	74223	(000000–)	Screw, Cap	8
3	61882	(000000–)	Rotating Kit	1
4	373407	(000000–)	Piston, Servo	1
5	74254	(000000–)	Follower, Piston	1
6	74256	(000000–)	Plate, Cover En	1
7	74257	(000000–)	Plate, Cover En	1
8	74258	(000000–)	Camplate S/A En	1
9	74240	(000000–)	Race, Bearing Ce	2
10	74210	(000000–)	Bearing	1
11	74283	(000000–)	Seal Kit, Pump En	1
12	74262	(000000–)	Screw, Cap En	6
▽	373408	(000000–)	Housing S/A En	1
▲	13 373409	(000000–)	Housing En	1
▲	14 37462	(000000–)	Bearing	1
▲	15 79742	(000000–)	Plug S/A En	1
▽	16 373410	(000000–)	Cradle Sub Assy En	1
▲	17 373218	(000000–)	Dowel Bushing En	2
▲	18 373414	(000000–)	Bushing En	1
▲	19 373415	(000000–)	Cap Screw En	1
20	79747	(000000–)	Cap Screw En	2
21	74265	(000000–)	Shaft, Drive Sp En	1
22	74266	(000000–)	Nut En	1
23	74267	(000000–)	Lockwasher En	1
24	37460	(000000–)	Washer	1
25	13907	(000000–)	Plug #8	2
26	79779	(000000–)	Plug,#12 O–Ring Ph	1
27	74272	(000000–)	Arm, Control En	1
28	74273	(000000–)	Control, Manual (See Breakdowns)	1
29	74276	(000000–)	Orifice, Valve En	3
30	74280	(000000–)	Washer En	1
31	74281	(000000–)	Washer En	8

Fig. 4 – Hydraulic Piston Pump Breakdown, 373404

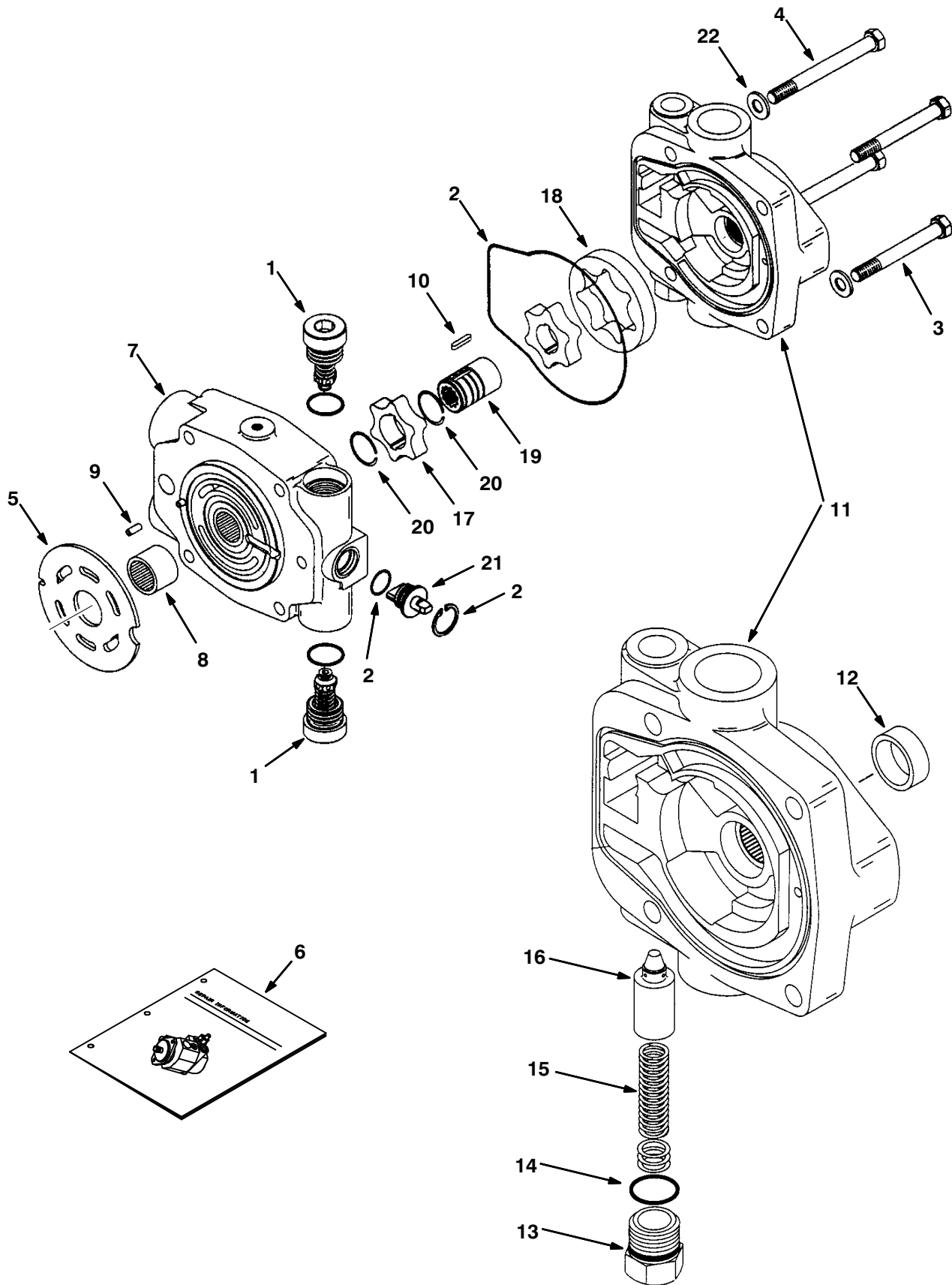


Fig. 4 – Hydraulic Piston Pump Breakdown, 373404

NOTE: Piston Pump, TENNANT Part Number 373404, includes .Fig. 3, Fig. 4 and Fig. 5.

Ref.	Part No.	Serial Number	Description	Qty.
1	74259	(000000–)	Relief Valve Sa En	2
2	74283	(000000–)	Seal Kit, Pump En	1
3	373374	(000000–)	Screw, Cap En	2
4	373375	(000000–)	Screw, Cap En	2
5	61886	(000000–)	Valve Plate	1
6	373406	(000000–)	Repair Info,Pmp En	1
▽	7	373412	(000000–) Backplate S/A En	1
▲	8	34159	(000000–) Bearing	1
▲	9	79748	(000000–) Roll Pin En	1
10	74270	(000000–)	Key En	1
▽	11	74271	(000000–) Charge Pmp Adap En	1
▲	12	79749	(000000–) Bushing En	1
▲	13	79750	(000000–) Plug En	1
▲	14	79751	(000000–) Shims En	1
▲	15	79752	(000000–) Spring En	1
▲	16	79753	(000000–) Poppet En	1
17	74274	(000000–)	Geroter,Ring In En	1
18	74275	(000000–)	Geroter,Ring Ot En	1
19	74277	(000000–)	Coupler En	1
20	74278	(000000–)	Ring, Retaining En	2
21	373413	(000000–)	Actuator, Valve En	1
22	74282	(000000–)	Washer En	4

Fig. 5 – Hydraulic Manual Control Breakdown, 74273

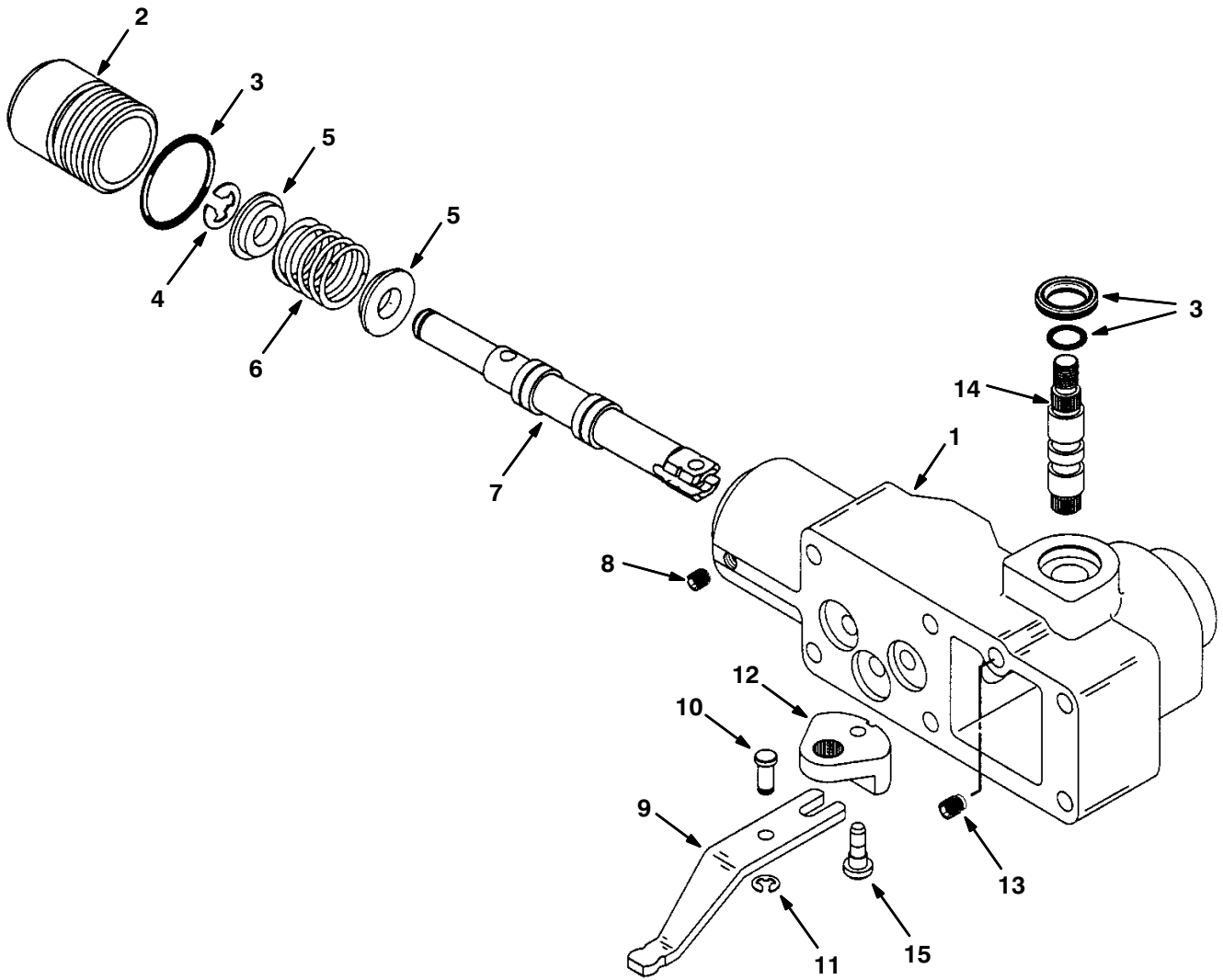


Fig. 5 – Hydraulic Manual Control Breakdown, 74273

NOTE: Piston Pump, TENNANT Part Number 74163, includes Fig. 1, Fig. 2 and Fig. 5.

NOTE: Piston Pump, TENNANT Part Number 373404, includes .Fig. 3, Fig. 4 and Fig. 5.

	Ref.	Part No.	Serial Number	Description	Qty.
▽		74273	(000000–)	Control, Manual	1
▲	1	79754	(000000–)	Housing,Control	1
▲	2	79755	(000000–)	Plug	1
▲	3	79776	(000000–)	Seal Kit,Cntrl	1
▲	4	79756	(000000–)	Ring, Retaining	1
▲	5	79757	(000000–)	Spring,Retainer	2
▲	6	79758	(000000–)	Spring, Cntr	1
▲	7	79759	(000000–)	Valve Spool	1
▲	8	79760	(000000–)	Screw, Set	1
▲	9	79761	(000000–)	Link, Feedback	1
▲	10	79762	(000000–)	Dowel Pin	1
▲	11	79763	(000000–)	Ring, Retaining	1
▲	12	79764	(000000–)	Bell Crank	1
▲	13	79765	(000000–)	Screw, Set	1
▲	14	79766	(000000–)	Shaft, Input	1
▲	15	79767	(000000–)	Pin, Headed	1

Fig. 6 – Hydraulic Piston Pump Breakdown, 74164

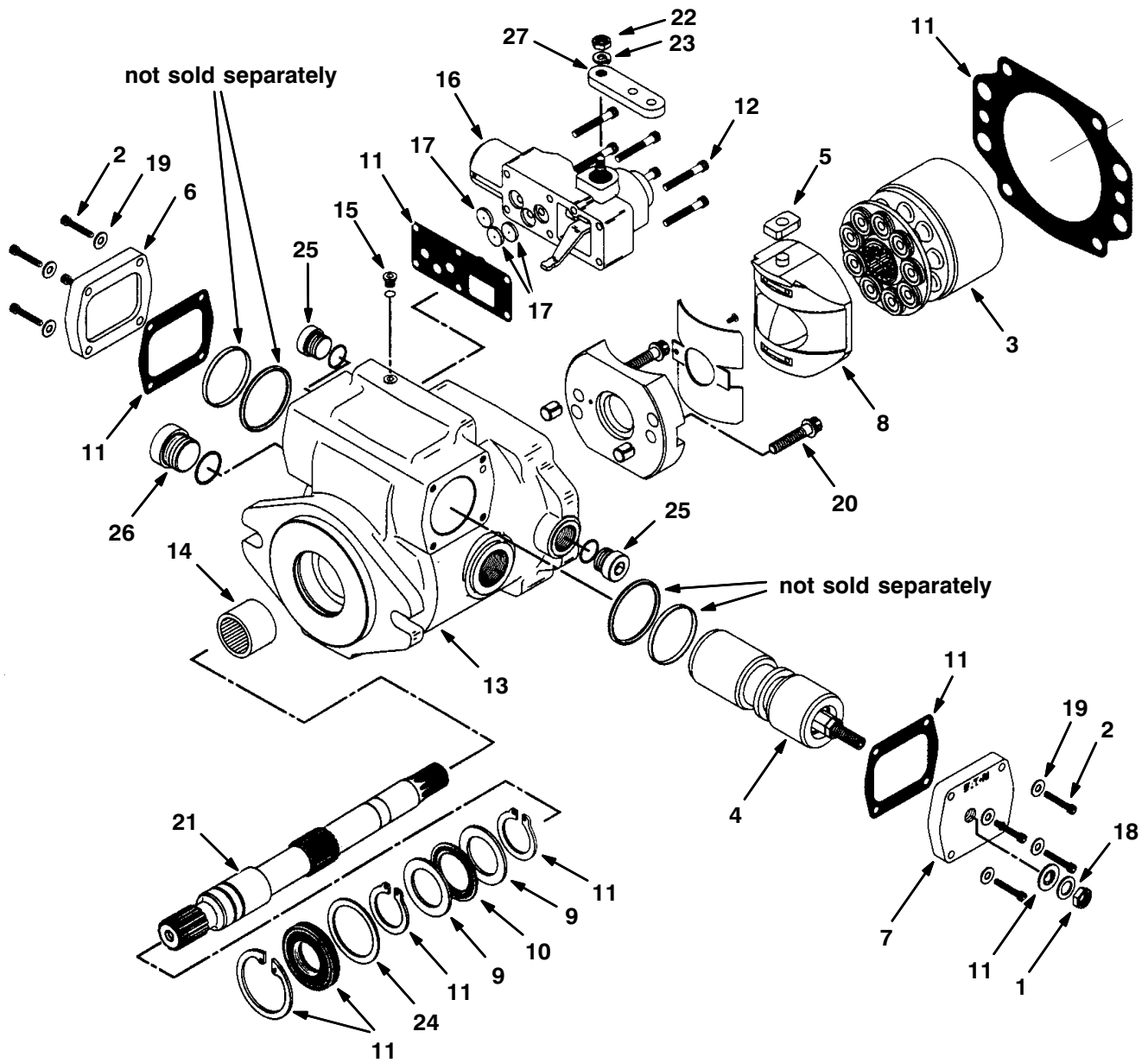


Fig. 6 – Hydraulic Piston Pump Breakdown, 74164

NOTE: Piston Pump, TENNANT Part Number 74164, includes Fig. 6, Fig. 7 and Fig. 10.

Ref.	Part No.	Serial Number	Description	Qty.
1	74184	(000000–)	Nut, Jam	1
2	74223	(000000–)	Screw, Cap	8
3	61882	(000000–)	Rotating Kit	1
4	74253	(000000–)	Piston, Servo	1
5	74254	(000000–)	Follower, Piston	1
6	74256	(000000–)	Plate, Cover En	1
7	74257	(000000–)	Plate, Cover En	1
8	74258	(000000–)	Camplate S/A En	1
9	74240	(000000–)	Race, Bearing Ce	2
10	74210	(000000–)	Bearing	1
11	74283	(000000–)	Seal Kit, Pump En	1
12	74262	(000000–)	Screw, Cap En	6
▽	74263	(000000–)	Housing S/A En	1
▲	13 79771	(000000–)	Housing En	1
▲	14 37462	(000000–)	Bearing	1
▲	15 79742	(000000–)	Plug S/A En	1
	16 373369	(000000–)	Control, Manual (See Breakdowns)	1
	17 74276	(000000–)	Orifice, Valve En	3
	18 74280	(000000–)	Washer En	1
	19 74281	(000000–)	Washer En	8
	20 79747	(000000–)	Cap Screw En	2
	21 74265	(000000–)	Shaft, Drive Sp En	1
	22 74266	(000000–)	Nut En	1
	23 74267	(000000–)	Lockwasher En	1
	24 37460	(000000–)	Washer	1
	25 13907	(000000–)	Plug #8	2
	26 79779	(000000–)	Plug,#12 O–Ring Ph	1
	27 74272	(000000–)	Arm, Control En	1

Fig. 7 – Hydraulic Piston Pump Breakdown, 74164

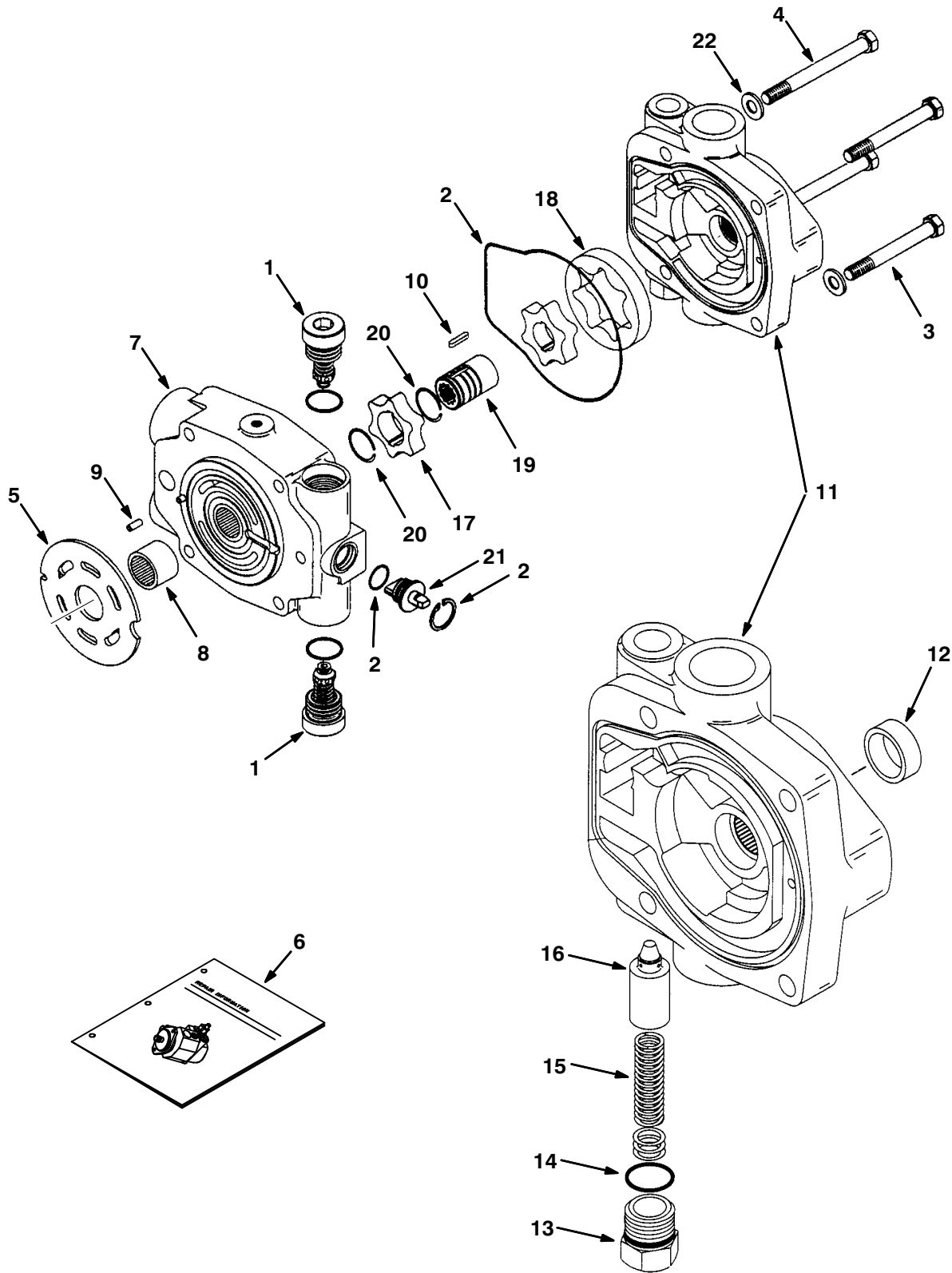


Fig. 7 – Hydraulic Piston Pump Breakdown, 74164

NOTE: Piston Pump, TENNANT Part Number 74164, includes Fig. 6, Fig. 7 and Fig. 10.

Ref.	Part No.	Serial Number	Description	Qty.
1	74259	(000000–)	Relief Valve Sa En	2
2	74283	(000000–)	Seal Kit, Pump En	1
3	74260	(000000–)	Screw, Cap En	2
4	74261	(000000–)	Screw, Cap En	2
5	61886	(000000–)	Valve Plate	1
6	79708	(000000–)	Repair Info,Pmp En	1
▽	7	74264	(000000–) Backplate S/A En	1
▲	8	34159	(000000–) Bearing	1
▲	9	79748	(000000–) Roll Pin En	1
10	74270	(000000–)	Key En	1
▽	11	74271	(000000–) Charge Pmp Adap En	1
▲	12	79749	(000000–) Bushing En	1
▲	13	79750	(000000–) Plug En	1
▲	14	79751	(000000–) Shims En	1
▲	15	79752	(000000–) Spring En	1
▲	16	79753	(000000–) Poppet En	1
17	74274	(000000–)	Geroter,Ring In En	1
18	74275	(000000–)	Geroter,Ring Ot En	1
19	74277	(000000–)	Coupler En	1
20	74278	(000000–)	Ring, Retaining En	2
21	74279	(000000–)	Actuator, Valve En	1
22	74282	(000000–)	Washer En	4

Fig. 8 – Hydraulic Piston Pump Breakdown, 373405

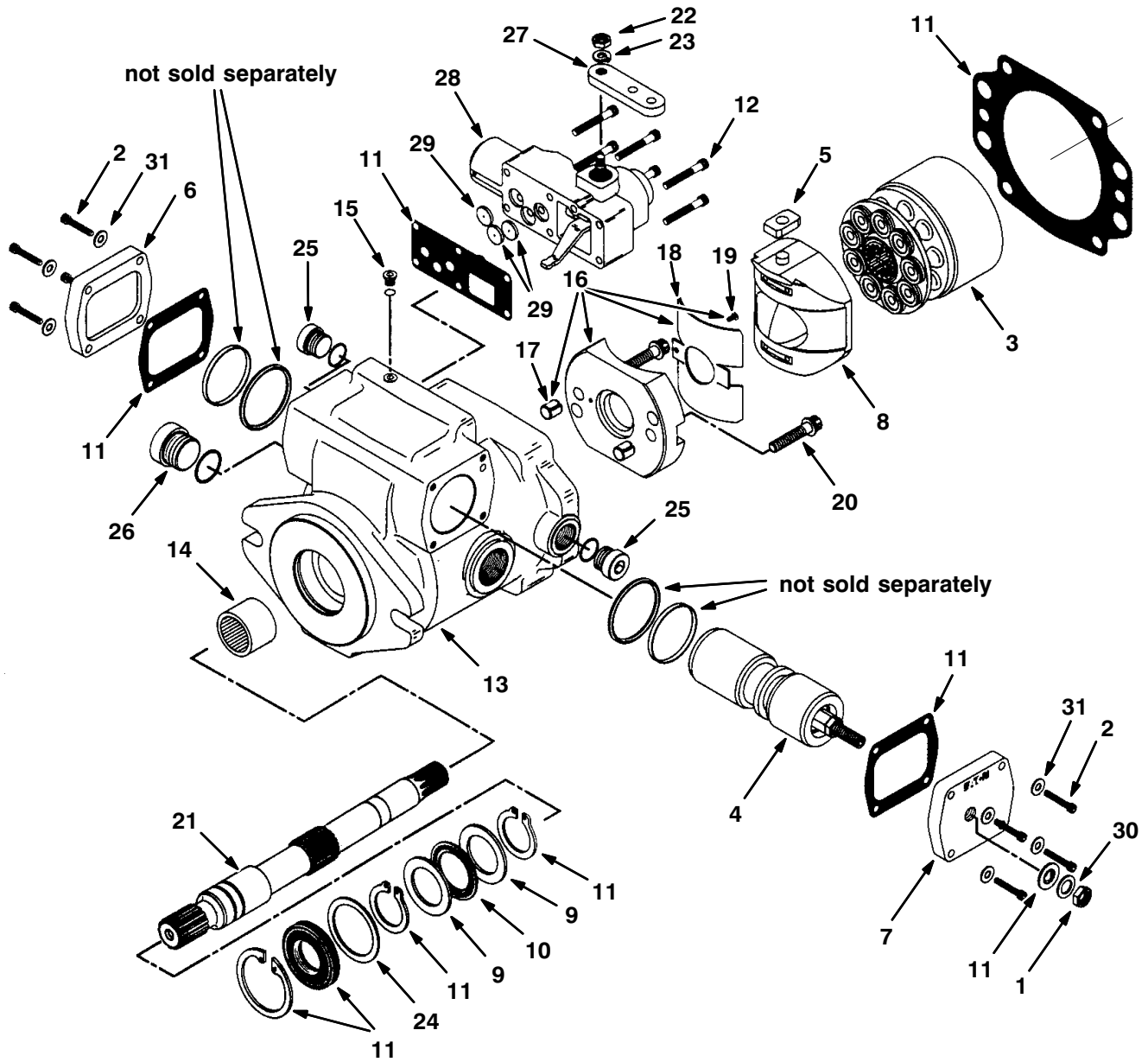


Fig. 8 – Hydraulic Piston Pump Breakdown, 373405

NOTE: Piston Pump, TENNANT Part Number 373405, includes Fig. 8, Fig. 9 and Fig. 10.

Ref.	Part No.	Serial Number	Description	Qty.
1	74184	(000000–)	Nut, Jam	1
2	74223	(000000–)	Screw, Cap	8
3	61882	(000000–)	Rotating Kit	1
4	373407	(000000–)	Piston, Servo	1
5	74254	(000000–)	Follower, Piston	1
6	74256	(000000–)	Plate, Cover En	1
7	74257	(000000–)	Plate, Cover En	1
8	74258	(000000–)	Camplate S/A En	1
9	74240	(000000–)	Race, Bearing Ce	2
10	74210	(000000–)	Bearing	1
11	74283	(000000–)	Seal Kit, Pump En	1
12	74262	(000000–)	Screw, Cap En	6
▽	373408	(000000–)	Housing S/A En	1
▲	13 373409	(000000–)	Housing En	1
▲	14 37462	(000000–)	Bearing	1
▲	15 79742	(000000–)	Plug S/A En	1
▽	16 373410	(000000–)	Cradle Sub Assy En	1
▲	17 373218	(000000–)	Dowel Bushing En	2
▲	18 373414	(000000–)	Bushing En	1
▲	19 373415	(000000–)	Cap Screw En	1
20	79747	(000000–)	Cap Screw En	2
21	74265	(000000–)	Shaft, Drive Sp En	1
22	74266	(000000–)	Nut En	1
23	74267	(000000–)	Lockwasher En	1
24	37460	(000000–)	Washer	1
25	13907	(000000–)	Plug #8	2
26	79779	(000000–)	Plug,#12 O–Ring Ph	1
27	74272	(000000–)	Arm, Control En	1
28	373369	(000000–)	Control, Manual (See Breakdowns)	1
29	74276	(000000–)	Orifice, Valve En	3
30	74280	(000000–)	Washer En	1
31	74281	(000000–)	Washer En	8

Fig. 9 – Hydraulic Piston Pump Breakdown, 373405

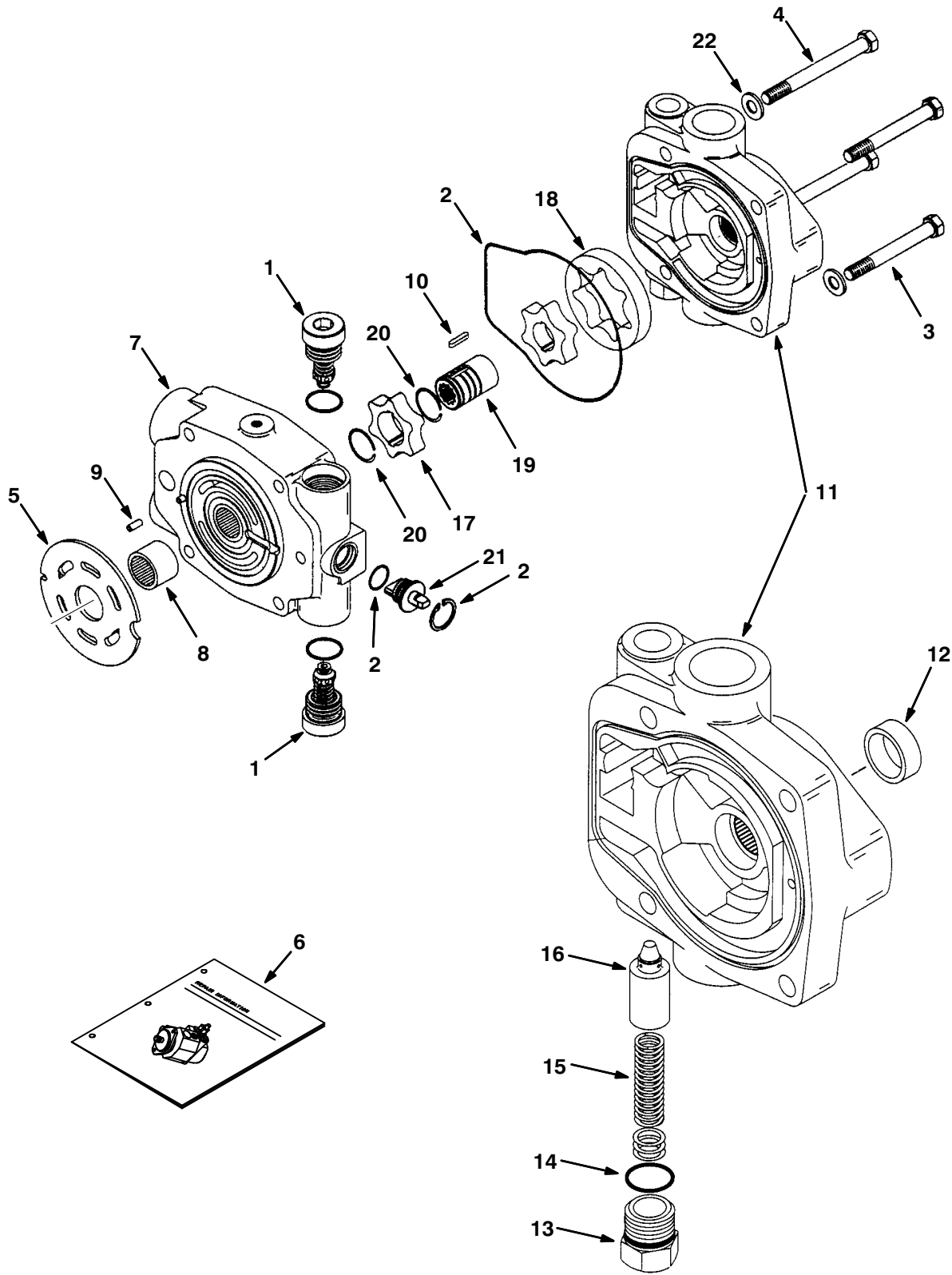


Fig. 9 – Hydraulic Piston Pump Breakdown, 373405

NOTE: Piston Pump, TENNANT Part Number 373405, includes Fig. 8, Fig. 9 and Fig. 10.

Ref.	Part No.	Serial Number	Description	Qty.
1	74259	(000000–)	Relief Valve Sa En	2
2	74283	(000000–)	Seal Kit, Pump En	1
3	373374	(000000–)	Screw, Cap En	2
4	373375	(000000–)	Screw, Cap En	2
5	61886	(000000–)	Valve Plate	1
6	373406	(000000–)	Repair Info,Pmp En	1
▽	7	373412	(000000–) Backplate S/A En	1
▲	8	34159	(000000–) Bearing	1
▲	9	79748	(000000–) Roll Pin En	1
10	74270	(000000–)	Key En	1
▽	11	74271	(000000–) Charge Pmp Adap En	1
▲	12	79749	(000000–) Bushing En	1
▲	13	79750	(000000–) Plug En	1
▲	14	79751	(000000–) Shims En	1
▲	15	79752	(000000–) Spring En	1
▲	16	79753	(000000–) Poppet En	1
17	74274	(000000–)	Geroter,Ring In En	1
18	74275	(000000–)	Geroter,Ring Ot En	1
19	74277	(000000–)	Coupler En	1
20	74278	(000000–)	Ring, Retaining En	2
21	373413	(000000–)	Actuator, Valve En	1
22	74282	(000000–)	Washer En	4

Fig. 10 – Hydraulic Manual Control Breakdown, 373369

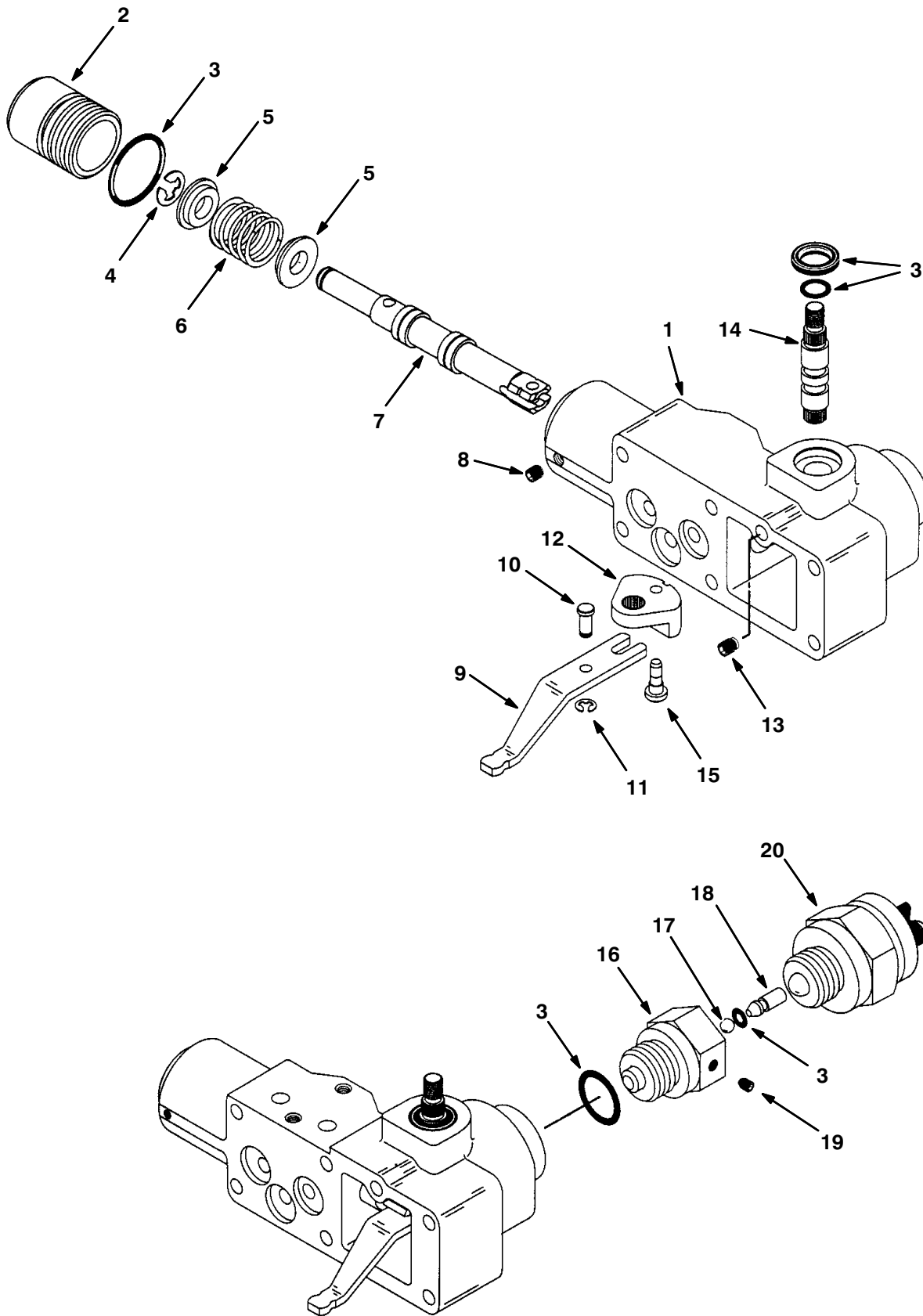


Fig. 10 – Hydraulic Manual Control Breakdown, 373369

NOTE: Piston Pump, TENNANT Part Number 74164, includes Fig. 6, Fig. 7 and Fig. 10.

NOTE: Piston Pump, TENNANT Part Number 373405, includes Fig. 8, Fig. 9 and Fig. 10.

	Ref.	Part No.	Serial Number	Description	Qty.
▽		373369	(000000–)	Manual Control En	1
▲	1	79777	(000000–)	Housing,Control En	1
▲	2	79755	(000000–)	Plug En	1
▲	3	79776	(000000–)	Seal Kit,Cntrl En	1
▲	4	79756	(000000–)	Ring, Retaining En	1
▲	5	79757	(000000–)	Spring,Retainer En	2
▲	6	79758	(000000–)	Spring, Cntr En	1
▲	7	79772	(000000–)	Vlv Spool Wide En	1
▲	8	79760	(000000–)	Screw, Set En	1
▲	9	79761	(000000–)	Link, Feedback En	1
▲	10	79762	(000000–)	Dowel Pin En	1
▲	11	79763	(000000–)	Ring, Retaining En	1
▲	12	79764	(000000–)	Bell Crank En	1
▲	13	79765	(000000–)	Screw, Set En	1
▲	14	79766	(000000–)	Shaft, Input En	1
▲	15	79767	(000000–)	Pin, Headed En	1
▲	16	373371	(000000–)	Adaptor,Neutral En	1
▲	17	79774	(000000–)	Ball En	1
▲	18	373372	(000000–)	Pin, Cntrl Assy En	1
▲	19	79760	(000000–)	Screw, Set En	1
▲	20	373373	(000000–)	Switch,Lockout En	1

Fig. 11 – Hydraulic Gear Pump Breakdown, 62561

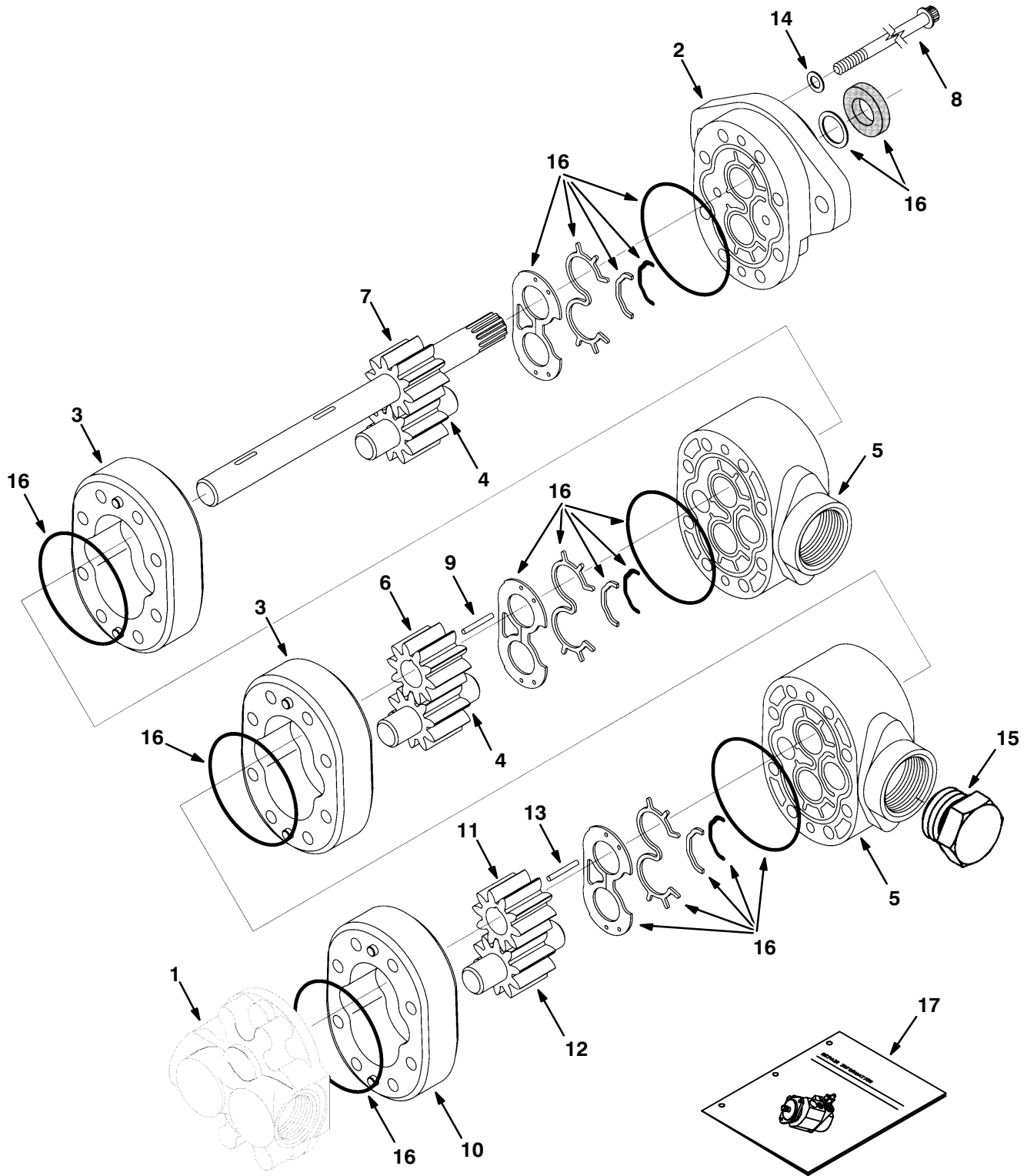


Fig. 11 – Hydraulic Gear Pump Breakdown, 62561

	Ref.	Part No.	Serial Number	Description	Qty.
▽		62561	(000000–)	Pump, Hyd	1
▲	1	58242	(000000–)	Plate, Back	1
▲	2	74149	(000000–)	Plate, Front	1
▲	3	74150	(000000–)	Body Assy	2
▲	4	74151	(000000–)	Gear, Idler	2
▲	5	74152	(000000–)	Plate, Adapter	2
▲	6	74148	(000000–)	Gear, Slip Fit	1
▲	7	65226	(000000–)	Drive Gear Assembly	1
▲	8	74154	(000000–)	Screw, Cap	8
▲	9	74160	(000000–)	Key, Round	1
▲	10	74157	(000000–)	Body Assembly	1
▲	11	74153	(000000–)	Gear	1
▲	12	74158	(000000–)	Gear, Idler	1
▲	13	74156	(000000–)	Key, Round	1
▲	14	74159	(000000–)	Washer	4
▲	15	74161	(000000–)	Plug, O–ring	1
▲	16	59305	(000000–)	Kit, Seal, Hyd, Pump	1
	17	763483	(000000–)	Repair Info, Pump	1

Fig. 12 – Hydraulic Gear Pump Breakdown, 373254

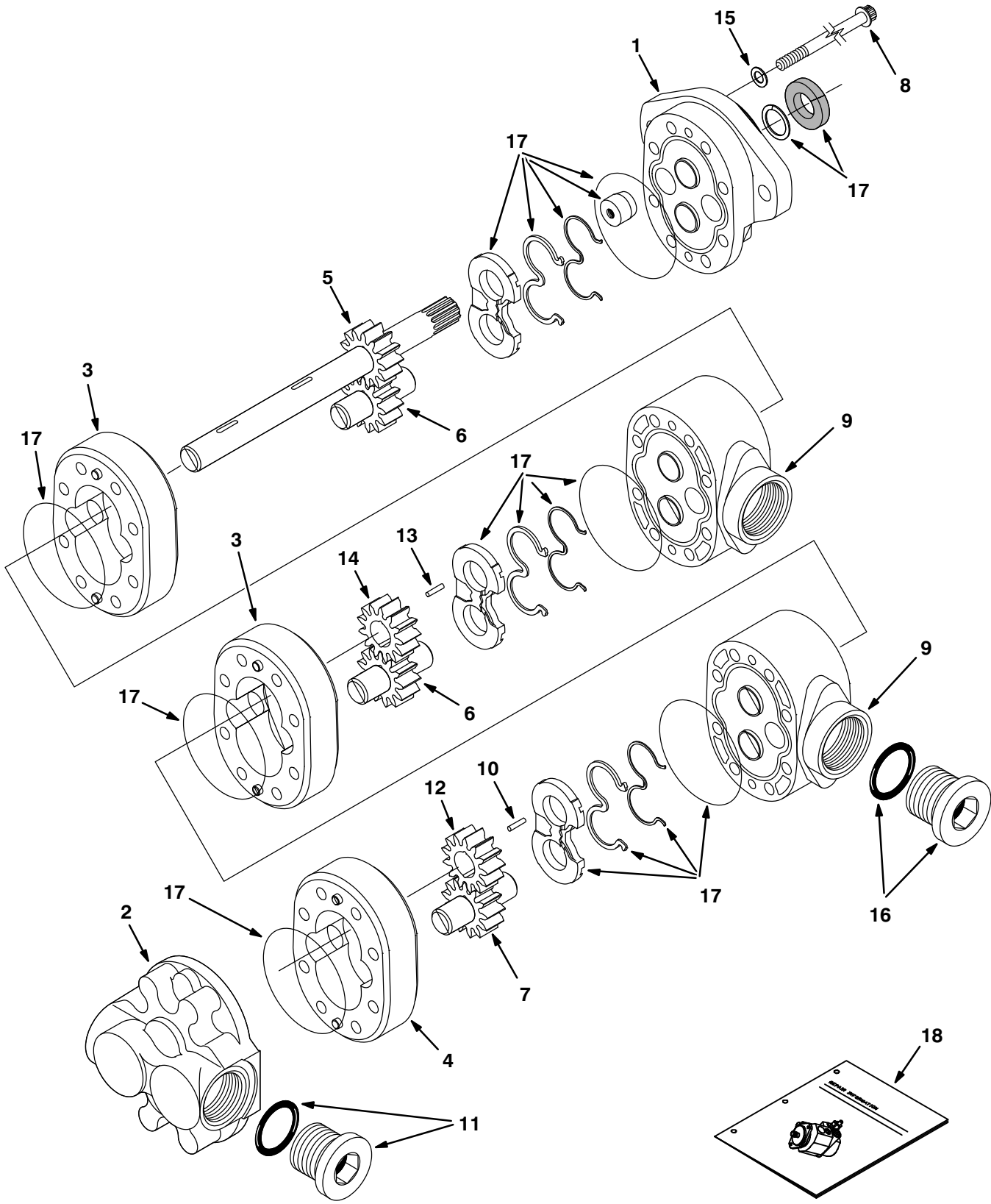


Fig. 12 – Hydraulic Gear Pump Breakdown, 373254

	Ref.	Part No.	Serial Number	Description	Qty.
▽		373254	(000000–) Pump, Hyd, Gear, [Ex3] 0.66 [R] 3000	1
▲	1	373201	(000000–) Plate, Front, Pump, Hyd	1
▲	2	373276	(000000–) Plate, Back, Pump, Hyd	1
▲	3	373232	(000000–) Housing	1
▲	4	373256	(000000–) Body	2
▲	5	373457	(000000–) Gear, Drive	1
▲	6	373211	(000000–) Gear Assy, Idler	1
▲	7	373258	(000000–) Gear, Idler	2
▲	8	74154	(000000–) Screw, Cap, Motor, Hyd	8
▲	9	373235	(000000–) Plate, Adaptor	2
▲	10	373458	(000000–) Key	1
▲	11	71725	(000000–) Plug, O–Ring	1
▲	12	373259	(000000–) Gear, [Slip Fit]	1
▲	13	373284	(000000–) Key	1
▲	14	373242	(000000–) Gear	1
▲	15	373243	(000000–) Washer	4
▲	16	74161	(000000–) Plug, O–Ring	1
▲	17	373255	(000000–) Kit, Seal, Pump	1
▲	18	373207	(000000–) Instr, Kit, Repair, Pump, Hyd	1

Fig. 13 – Hydraulic Motor Breakdown, 63426

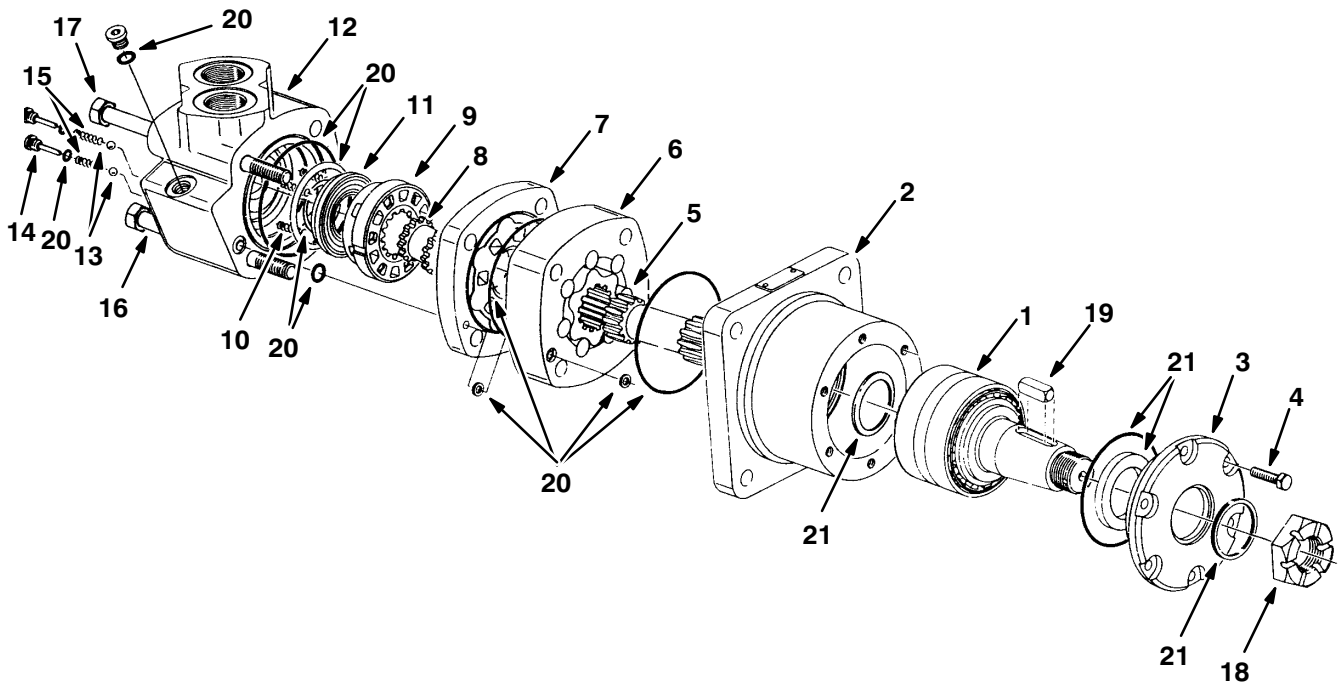


Fig. 13 – Hydraulic Motor Breakdown, 63426

	Ref.	Part No.	Serial Number	Description	Qty.
▽		63426	(000000–)	Motor, Propelling	1
▲	1	34180	(000000–)	Shaft and Brg	1
▲	2	74132	(000000–)	Housing, Brg	1
▲	3	74133	(000000–)	Retainer, Frt	1
▲	4	37943	(000000–)	Bolt	6
▲	5	34181	(000000–)	Drive	1
▲	6	34182	(000000–)	Gerotor Set	1
▲	7	34184	(000000–)	Valve Plate	1
▲	8	34183	(000000–)	Drive, Valve	1
▲	9	34185	(000000–)	Valve	1
▲	10	34178	(000000–)	Spring	3
▲	11	37723	(000000–)	Plate	1
▲	12	74134	(000000–)	Housing Assy	1
▲	13	37766	(000000–)	Ball	2
▲	14	74137	(000000–)	Plug Assembly	2
▲	15	34179	(000000–)	Spring	2
▲	16	74135	(000000–)	Screw, Cap	2
▲	17	74136	(000000–)	Screw, Cap	2
▲	18	45622	(000000–)	Nut	1
▲	19	45623	(000000–)	Key	1
▲	20	40380	(000000–)	Seal Kit, Motor	1
▲	21	65227	(000000–)	Seal Kit, Shaft	1

Fig. 14 – Hydraulic Motor Breakdown, 22626

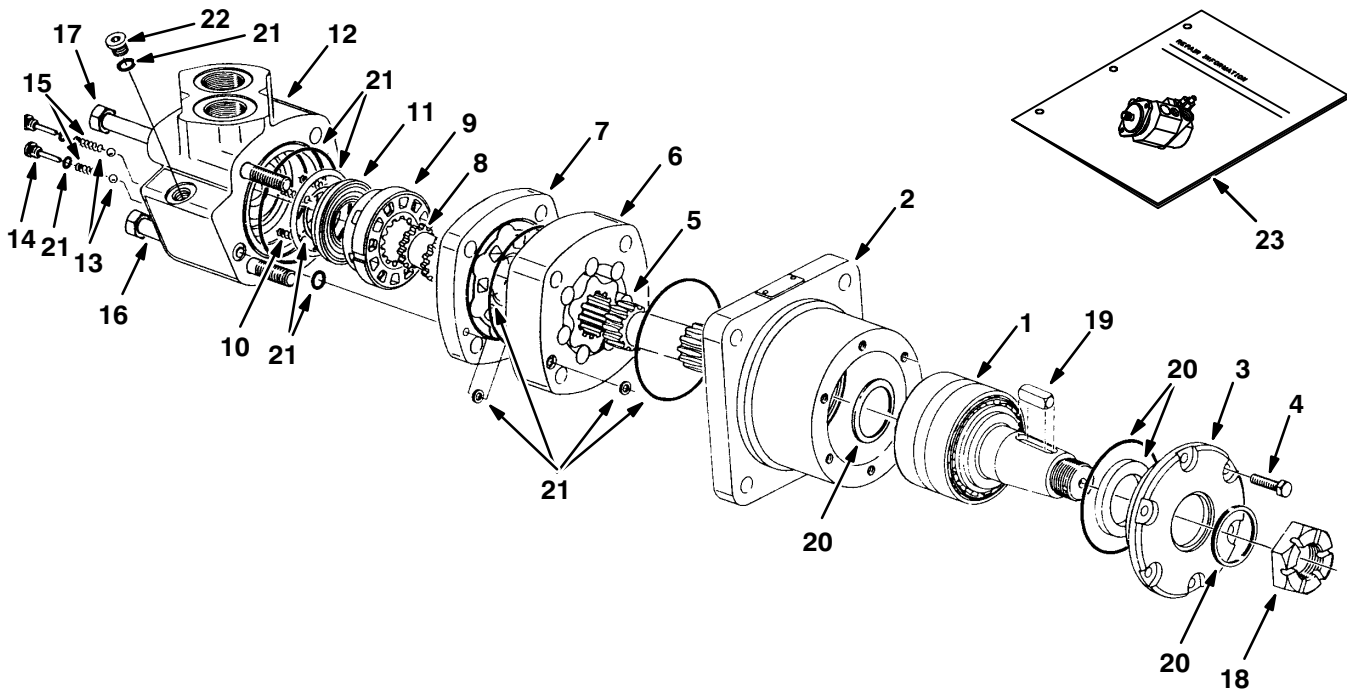


Fig. 14 – Hydraulic Motor Breakdown, 22626

	Ref.	Part No.	Serial Number	Description	Qty.
▽		22626	(000000–)	Motor, Propelling	1
▲	1	22629	(000000–)	Shaft and Brg	1
▲	2	22630	(000000–)	Housing, Brg	1
▲	3	22636	(000000–)	Retainer, Frt	1
▲	4	37943	(000000–)	Bolt	6
▲	5	34181	(000000–)	Drive	1
▲	6	74214	(000000–)	Gerotor Set	1
▲	7	34184	(000000–)	Valve Plate	1
▲	8	34183	(000000–)	Drive, Valve	1
▲	9	34185	(000000–)	Valve	1
▲	10	34178	(000000–)	Spring	3
▲	11	37723	(000000–)	Plate	1
▲	12	74134	(000000–)	Housing Assy	1
▲	13	37766	(000000–)	Ball	2
▲	14	74137	(000000–)	Plug Assembly	2
▲	15	34179	(000000–)	Spring	2
▲	16	74135	(000000–)	Screw, Cap	2
▲	17	74136	(000000–)	Screw, Cap	2
▲	18	45622	(000000–)	Nut	1
▲	19	45623	(000000–)	Key	1
▲▽	20	22645	(000000–)	Seal Kit, Shaft	1
▲▲	21	22646	(000000–)	Seal Kit, Motor	1
▲▲		74220	(000000–)	Seal Kit, Rear	1
▲	22	74098	(000000–)	Plug, O–Ring	1
	23	74246	(000000–)	Repair Info, Motor	1

Fig. 15 – Hydraulic Motor Breakdown, 373464

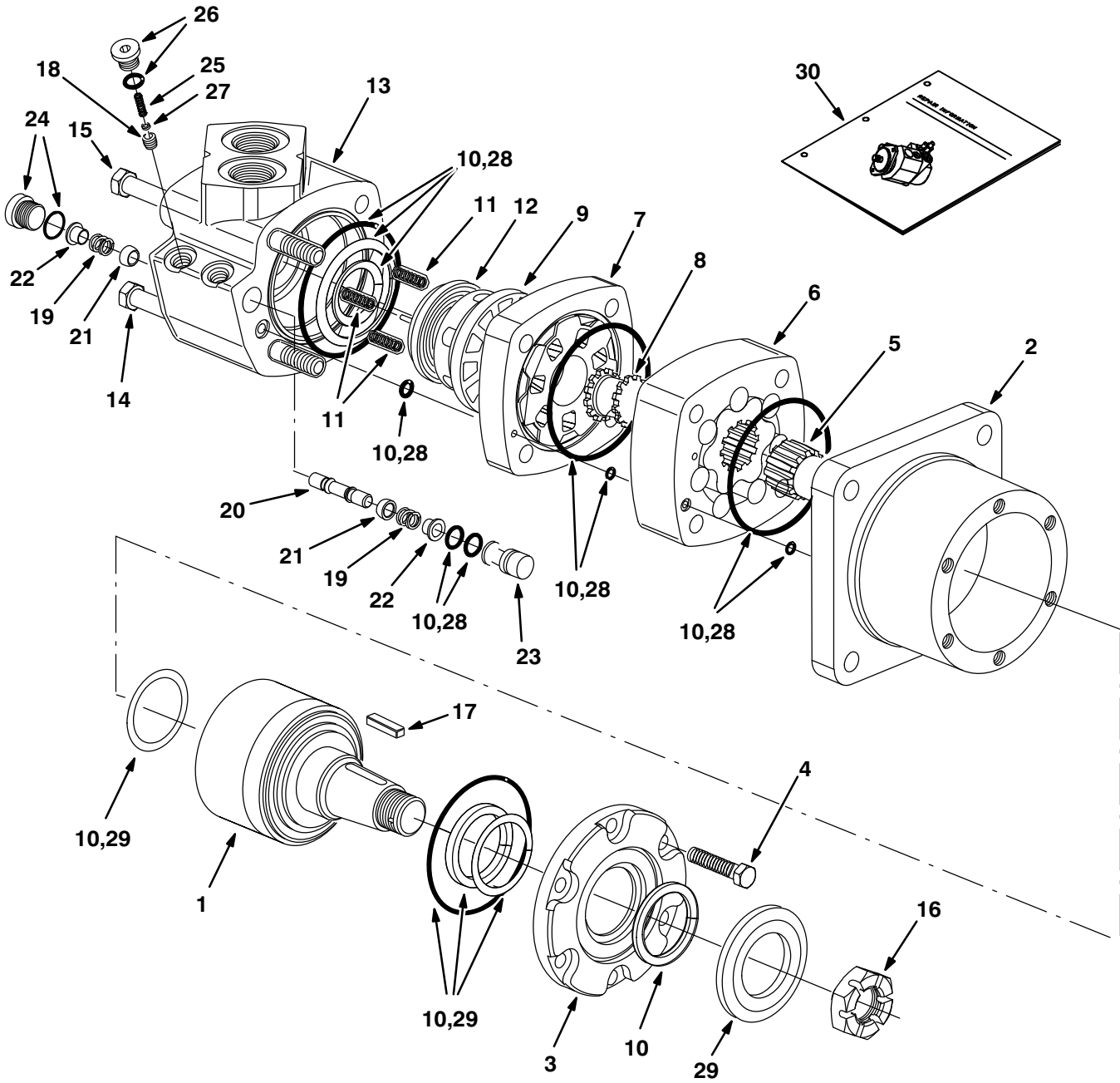
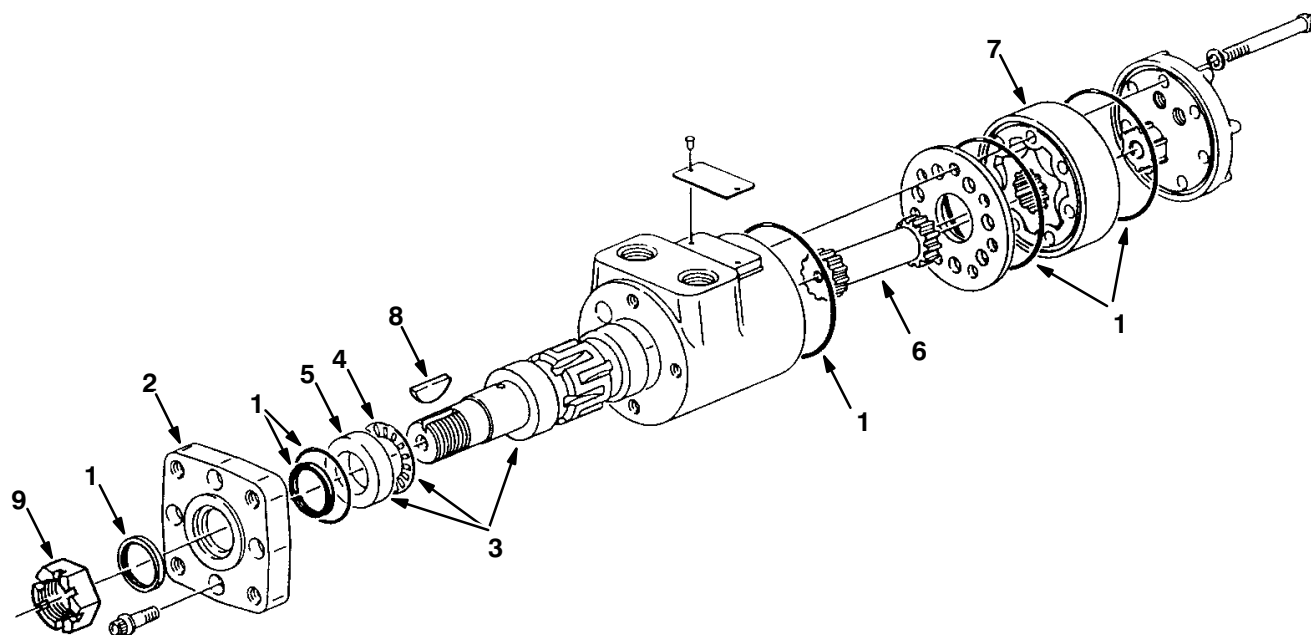


Fig. 15 – Hydraulic Motor Breakdown, 373464

Ref.	Part No.	Serial Number	Description	Qty.
▽	373464	(000000–) Motor, Hyd, Gear, [In] 29.9 B 3000	1
▲	1 22629	(000000–) Shaft, Motor, Hyd	1
▲	2 22630	(000000–) Housing, Bearing, Motor, Hyd	1
▲	3 22636	(000000–) Retainer, Front, Motor, Hyd	1
▲	4 37943	(000000–) Bolt, Motor, Hyd	6
▲	5 34181	(000000–) Drive, Motor, Hyd	1
▲	6 74214	(000000–) Geroler Set, Motor, Hyd	1
▲	7 34184	(000000–) Plate, Valve, Motor, Hyd	1
▲	8 34183	(000000–) Valve, Drive, Motor, Hyd	1
▲	9 373541	(000000–) Valve	1
▲	10 22646	(000000–) Kit, Seal, Motor, Hyd	1
▲	11 34178	(000000–) Spring, Motor, Hyd	3
▲	12 37723	(000000–) Plate, Motor, Hyd	1
▲	13 373549	(000000–) Housing, Valve	1
▲	14 74135	(000000–) Screw, Cap, Motor, Hyd	2
▲	15 74136	(000000–) Screw, Cap, Motor, Hyd	2
▲	16 45622	(000000–) Nut, Motor, Hyd	1
▲	17 45623	(000000–) Key, Motor, Hyd	1
▲	18 373542	(000000–) Poppet	1
▲	19 373291	(000000–) Spring	2
▲	20 373543	(000000–) Piston	1
▲	21 373226	(000000–) Poppet, Pump, Hyd, Gear	2
▲	22 373236	(000000–) Sleeve, Dashpo, Pump, Hyd, Gear	2
▲	23 373544	(000000–) Plug	1
▲	24 373545	(000000–) Plug Assy	1
▲	25 373546	(000000–) Spring	1
▲	26 373547	(000000–) Plug Assy	1
▲	27 373548	(000000–) Shim	1
▲	28 74220	(000000–) Kit, Seal, Hyd, Motor	1
▲	29 22645	(000000–) Kit, Seal, Motor, Hyd	1
	30 74246	(000000–) Repair Info,Mtr Cl	1

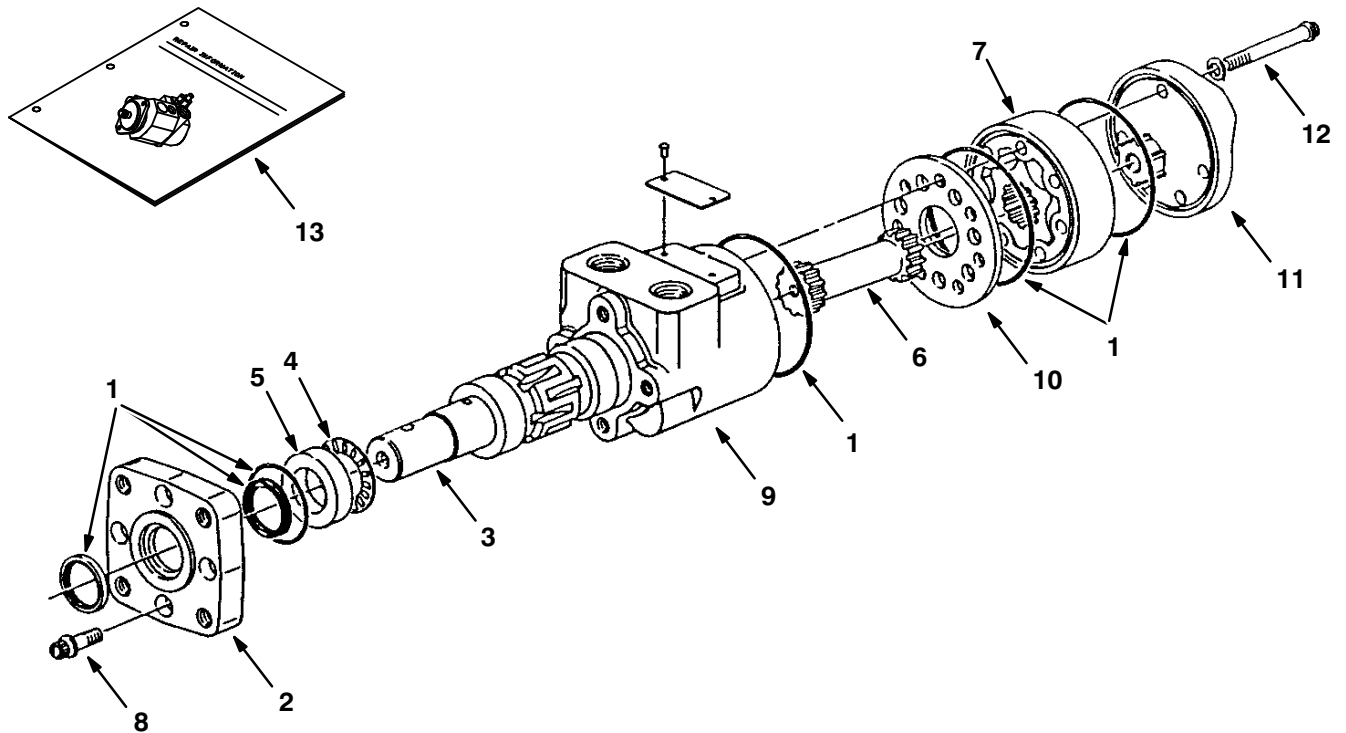
Fig. 16 – Hydraulic Motor Breakdown, 53434



05348 – ALL

Ref.	Part No.	Serial Number	Description	Qty.
▽	53434	(000000–) Motor, Hydraulic	1
▲	1	61490	(000000–) Seal Kit	1
▲	2	31354	(000000–) Flange, Mounting	1
▲▽	3	58278	(000000–) Output Shaft Assembly	1
▲▲	4	45628	(000000–) Bearing	1
▲▲	5	16695	(000000–) Race, Thrust	1
▲	6	34176	(000000–) Drive	1
▲	7	58270	(000000–) Gerotor Set	1
▲	8	00500–15	(000000–) Key, Woodruff	1
▲	9	39527	(000000–) Nut, Slotted Hex	1

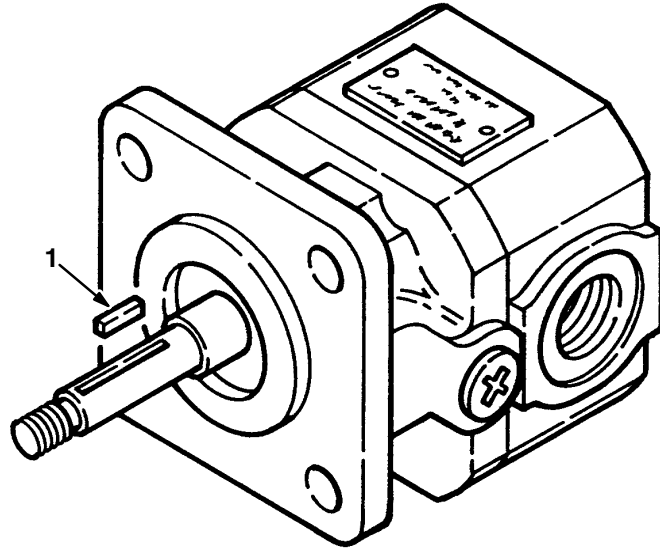
Fig. 17 – Hydraulic Motor Breakdown, 79781



07716,09670- ALL

Ref.	Part No.	Serial Number	Description	Qty.
▽	79781	(000000-)	Motor, Hydraulic	1
▲	1 61490	(000000-)	Seal Kit	1
▲	2 79782	(000000-)	Flange, Mounting	1
▲	3 16694	(000000-)	Shaft	1
▲	4 45628	(000000-)	Bearing Thrust	1
▲	5 16695	(000000-)	Race, Thrust	1
▲	6 31380	(000000-)	Drive	1
▲	7 31385	(000000-)	Gerotor Set	1
▲	8 37555	(000000-)	Screw	4
▲	9 74100	(000000-)	Housing	1
▲	10 74094	(000000-)	Spacer Plate	1
▲	11 74101	(000000-)	End Cap	1
▲	12 65232	(000000-)	Cap Screw	5
▲	13 74250	(000000-)	Repair Info, Motor	1

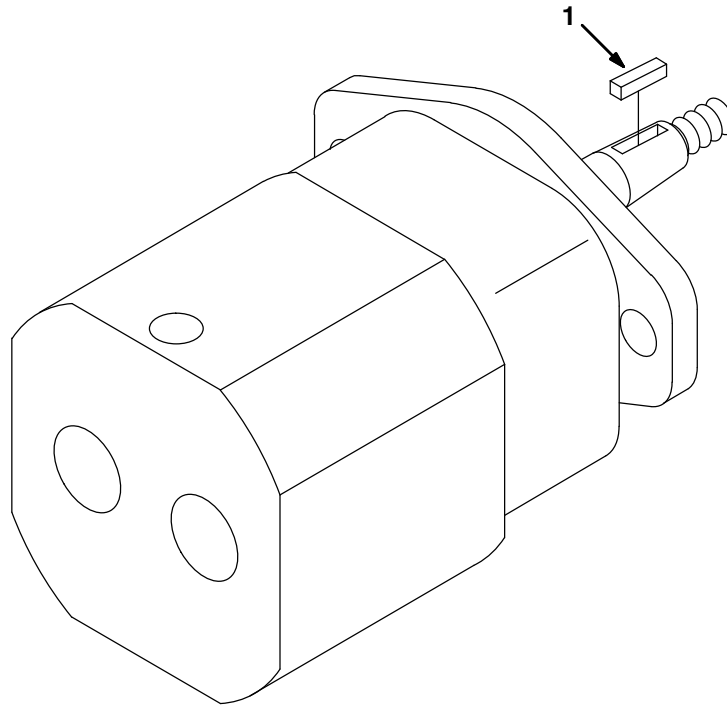
Fig. 18 – Hydraulic Motor Breakdown, 19117



05190 – ALL

Ref.	Part No.	Serial Number	Description	Qty.
▽	19117	(000000–)	Motor, Hydraulic	1
▲	1 00954	(000000–)	Key	1
▲	74233	(000000–)	Seal Kit	1

Fig. 19 – Hydraulic Motor Breakdown, 63542



10556 – ALL

	Ref.	Part No.	Serial Number	Description	Qty.
▽		63542	(000000–) Motor, Hydraulic	1
▲	1	00960	(000000–) Key, Square 0.12 0.12 00.50 LG	1
▲		74233	(000000–) Seal Kit, Hyd Mtr Gear	1

Fig. 20 – Hydraulic Steering Valve Breakdown, 65242

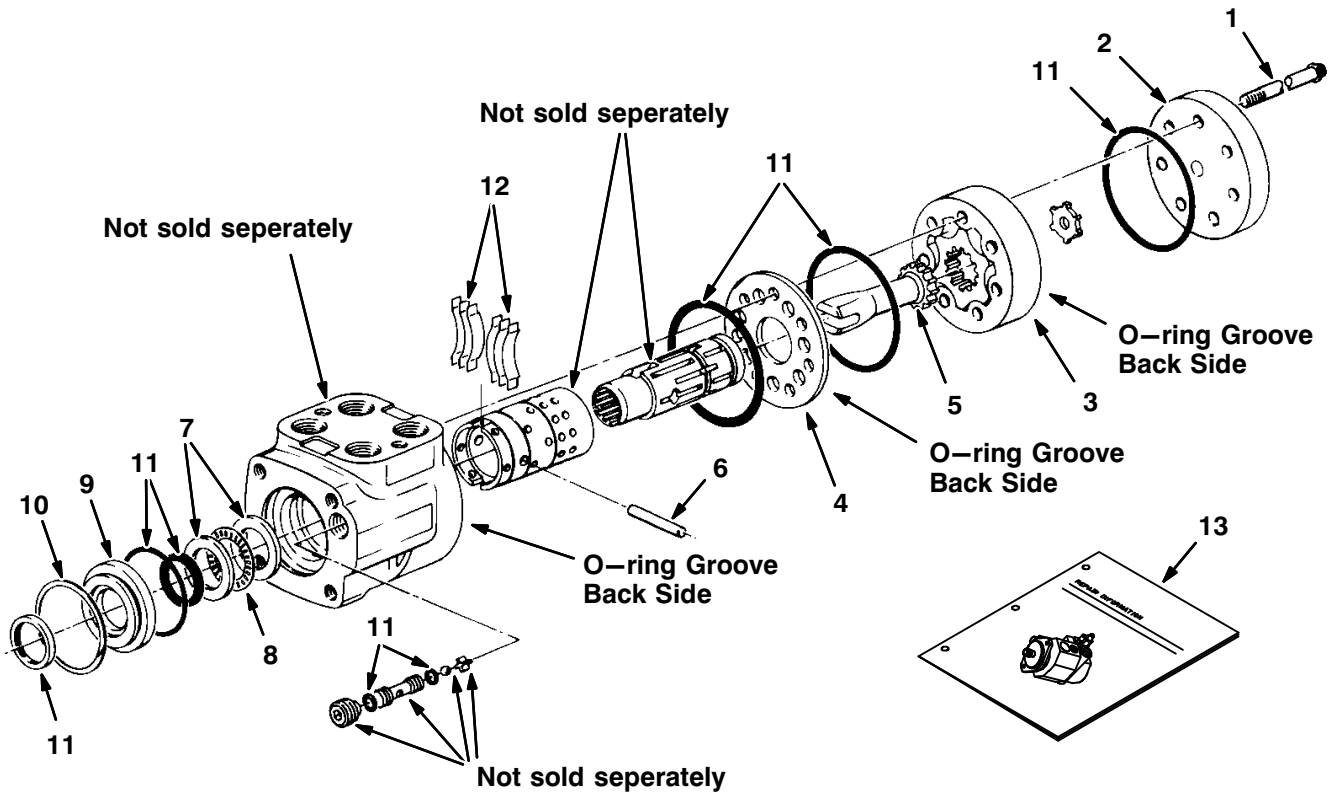
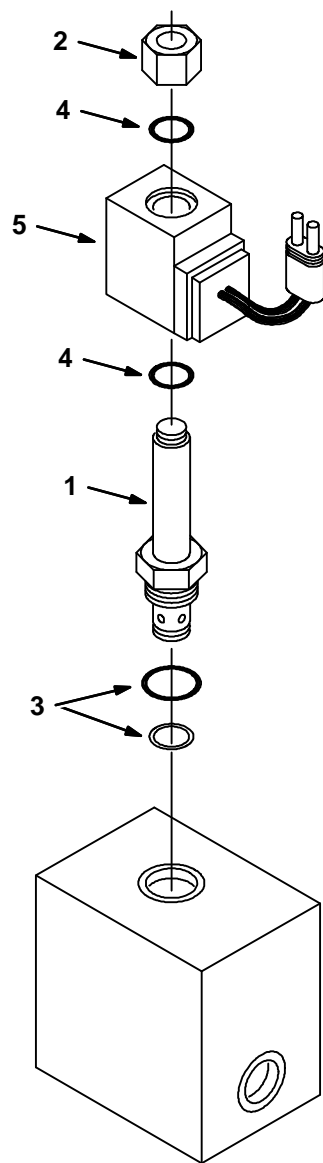


Fig. 20 – Hydraulic Steering Valve Breakdown, 65242

	Ref.	Part No.	Serial Number	Description	Qty.
▽		65242	(000000–)	Steer Control Hyd#4 04.5 1300	1
▲	1	74174	(000000–)	Cap, Screw	6
▲	2	74194	(000000–)	Cap, End	1
▲	3	65235	(000000–)	Gerotor Set CI	1
▲	4	74182	(000000–)	Plate, Wear	1
▲	5	58596	(000000–)	Drive	1
▲	6	74218	(000000–)	Pin	1
▲	7	74109	(000000–)	Race, Bearing	2
▲	8	74110	(000000–)	Bearing, Needle	1
▲	9	74112	(000000–)	Bushing, Seal	1
▲	10	74111	(000000–)	Ring, Retainer	1
▲	11	74190	(000000–)	Seal Kit, Scu	1
▲	12	74195	(000000–)	Spring Kit	1
	13	74251	(000000–)	Repair Info,Scu CI	1

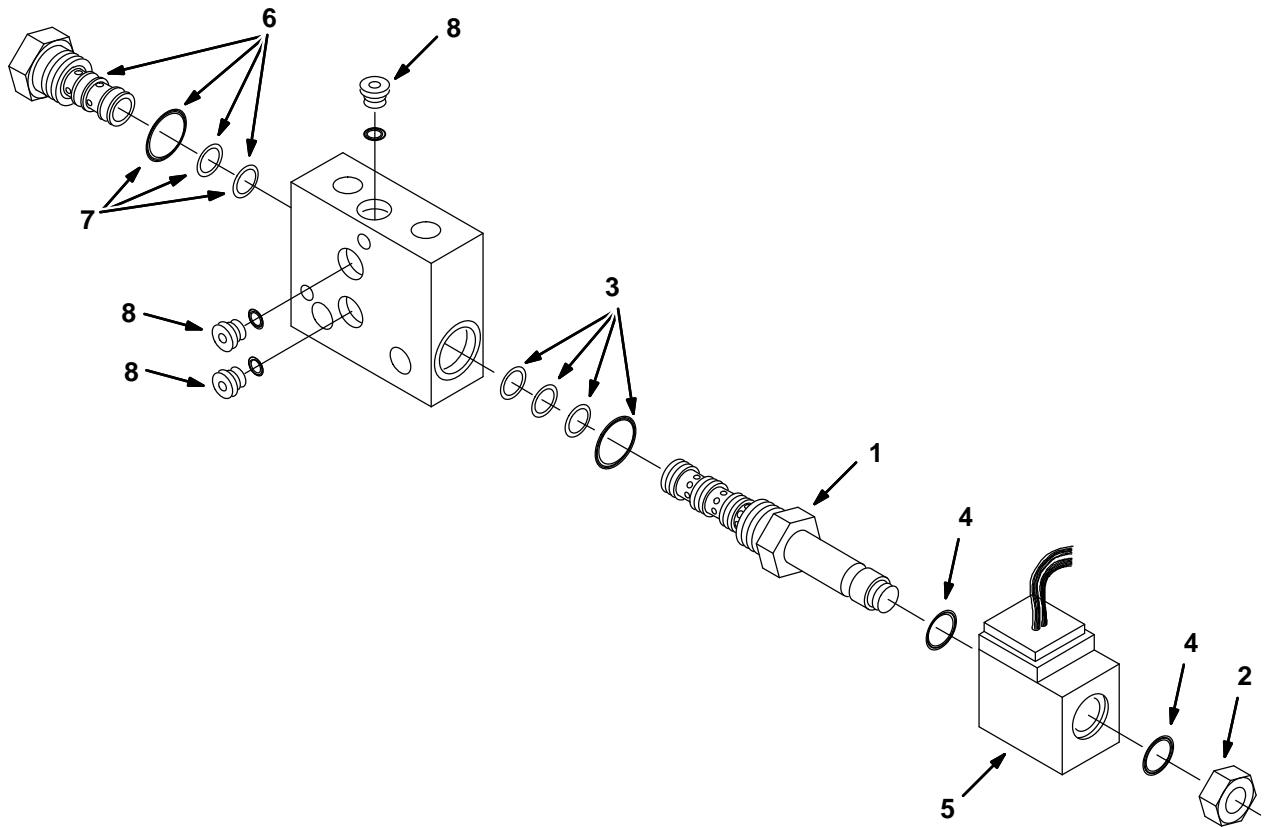
Fig. 21 – Hydraulic Solenoid Valve Breakdown, 84015



07639 – ALL

Ref.	Part No.	Serial Number	Description	Qty.
▽	84015	(000000–) Valve – Hyd., Solenoid	1
▲▽	1 79739	(000000–) Valve Stem, N.D.	1
▲▲	2 79731	(000000–) Nut, Cart., LNG.	1
▲▲	3 79711	(000000–) Seal Kit, Cart.	1
▲▲	4 79740	(000000–) Seal Kit, Coil	1
▲	5 21917	(000000–) Coil, 12V W/Var	1

Fig. 22 – Hydraulic Solenoid Valve Breakdown, 84016



10499 – ALL

Ref.	Part No.	Serial Number	Description	Qty.
▽	84016	(000000–) Valve, Hyd Control Solenoid	1
▲▽	1	79719	(000000–) Valve Stem 4W2P	1
▲▲	2	79728	(000000–) Nut, Cart., Sht	1
▲▲	3	79711	(000000–) Seal Kit, Cart	1
▲▲	4	79740	(000000–) Seal Kit, Coil	1
▲	5	21917	(000000–) Coil, 12V W/Var	1
▲▽	6	74145	(000000–) Cart, Pilot Cntr	1
▲▲	7	79711	(000000–) Seal Kit, Cart	1
▲	8	13902	(000000–) Plug, #2 O–Ring	3

Fig. 23 – Hydraulic Valve Breakdown, 375563

CONTROL VALVE	
Spool #1	Hopper Lift
Spool #2	Hopper Dump
Spool #3	Hopper Door

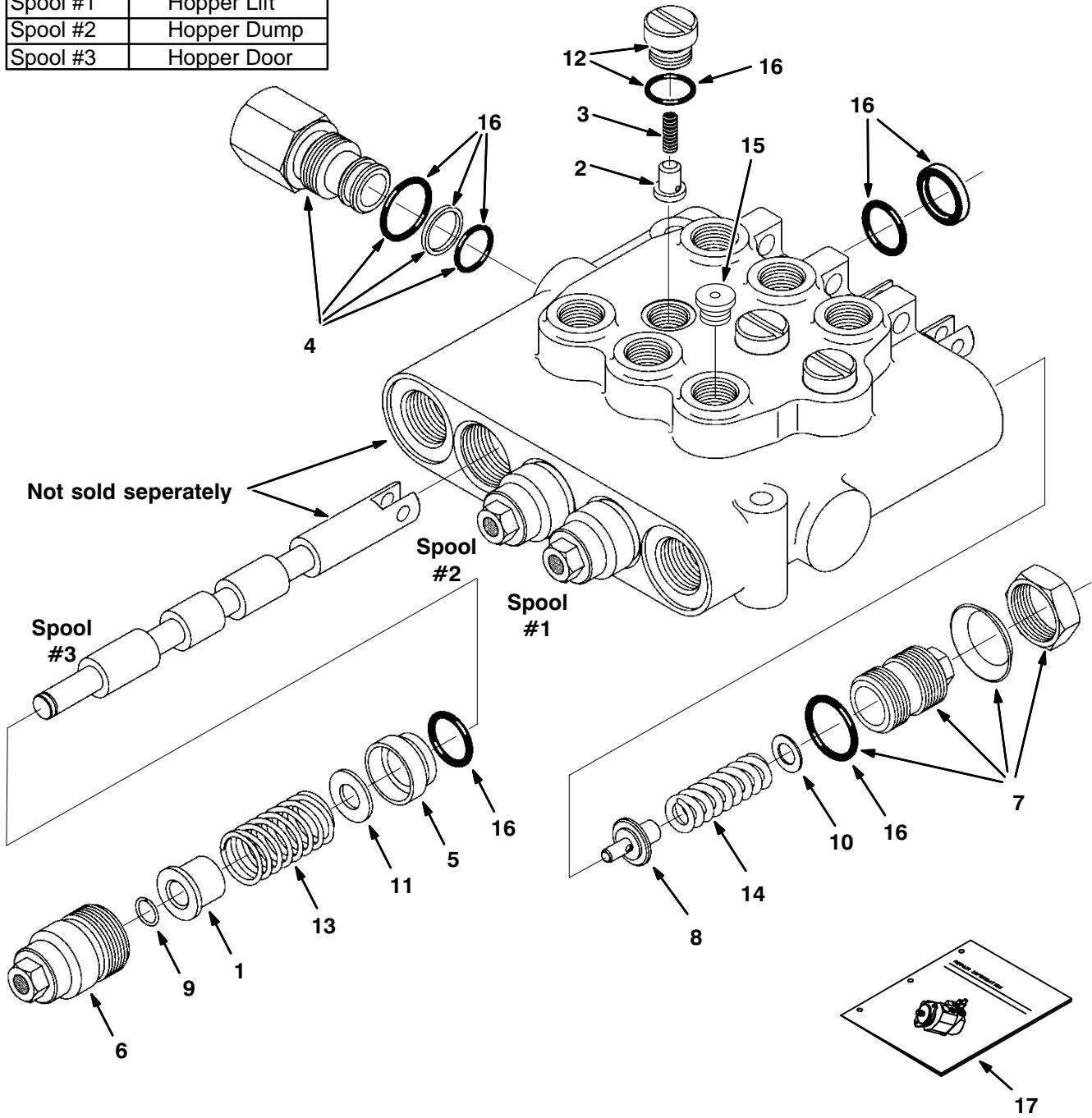


Fig. 23 – Hydraulic Valve Breakdown, 375563

	Ref.	Part No.	Serial Number	Description	Qty.
▽		375563	(000000–)	Valve, Hyd Control Man	1
▲	1	79822	(000000–)	Spacer En	3
▲	2	79786	(000000–)	Plunger En	3
▲	3	79787	(000000–)	Spring En	3
▲	4	79823	(000000–)	Plug Assy,Byd En	1
▲	5	79788	(000000–)	Bushing En	3
▲	6	79789	(000000–)	Cap Assembly En	3
▲	7	79790	(000000–)	Plug Assembly En	1
▲	8	79791	(000000–)	Poppet En	1
▲	9	79792	(000000–)	Retaining Rng En	3
▲	10	79793	(000000–)	Shim .035 Thk En	1
▲	10	79798	(000000–)	Shim .015 Thk En	1
▲	10	79799	(000000–)	Shim .010 Thk En	1
▲	11	79794	(000000–)	Washer En	3
▲	12	79795	(000000–)	Plug & O–Ring En	3
▲	13	79824	(000000–)	Spring En	3
▲	14	79797	(000000–)	Spring En	1
▲	15	13904	(000000–)	Plug Gage #6	1
▲	16	79812	(000000–)	Seal Kit, Vlv En	1
▲	17	79820	(000000–)	Instr. Valve Repair Info	1

Fig. 24 – Hydraulic Solenoid Valve Breakdown, 84014

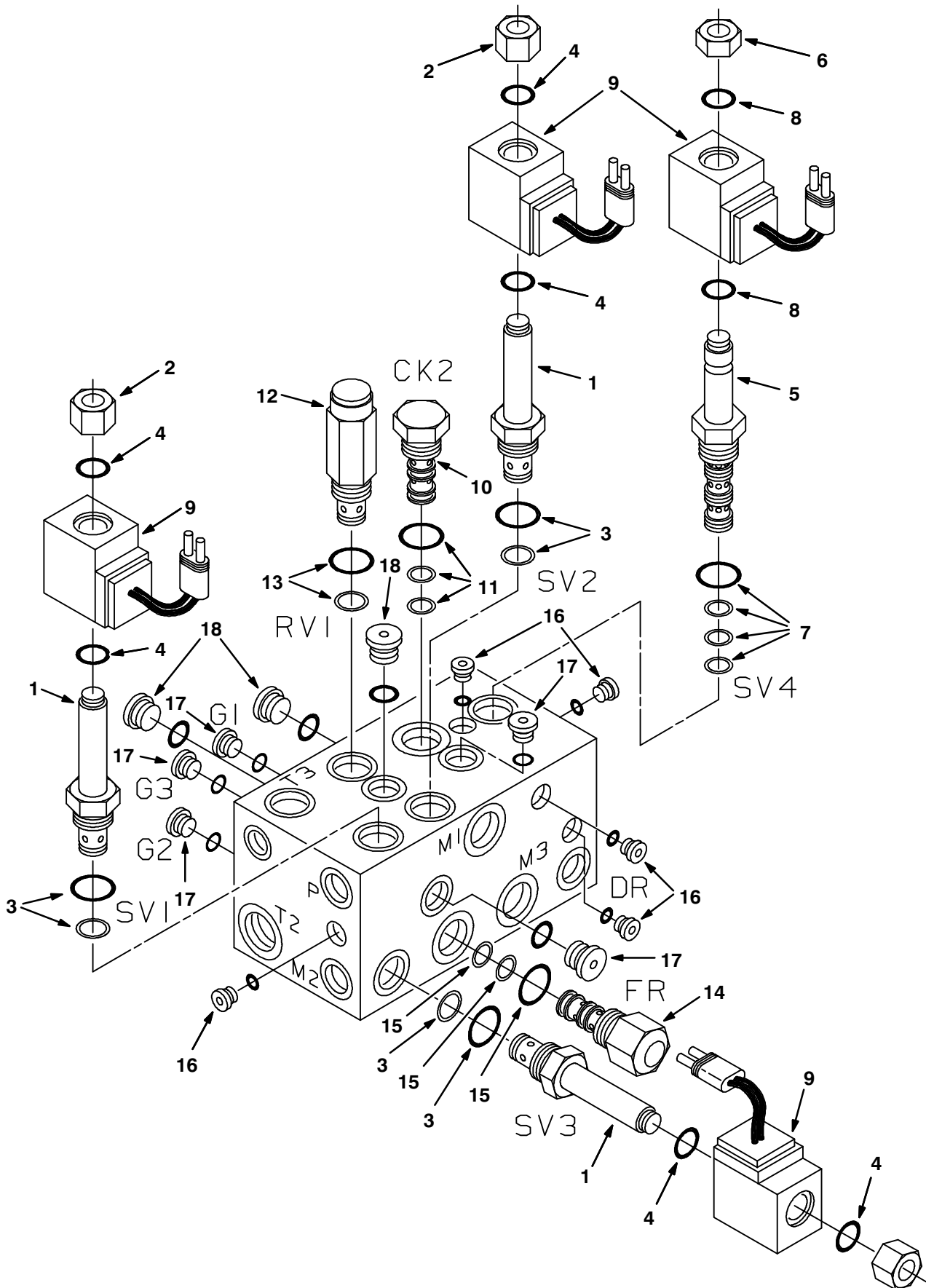
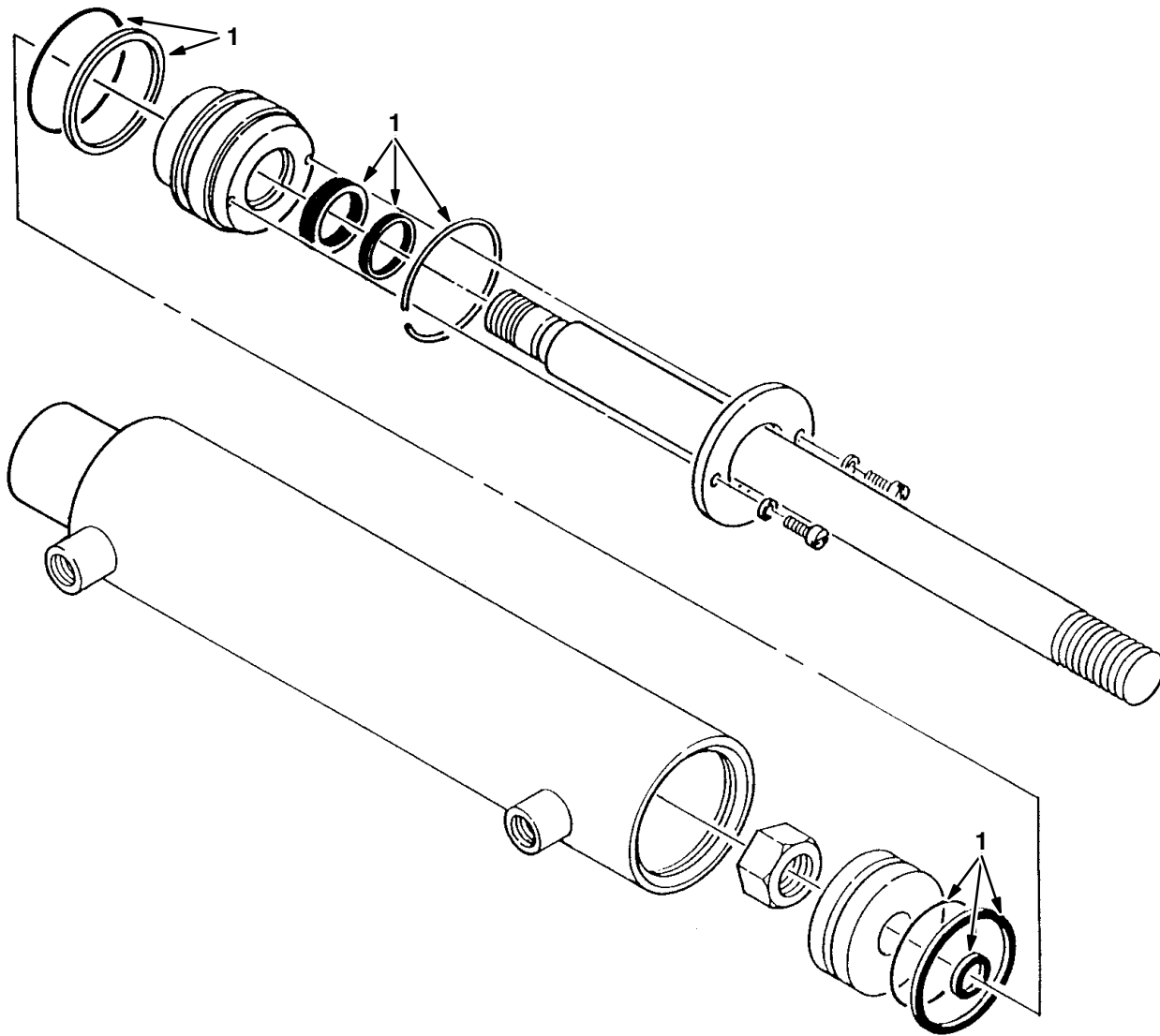


Fig. 24 – Hydraulic Solenoid Valve Breakdown, 84014

	Ref.	Part No.	Serial Number	Description	Qty.
▽		84014	(000000–)	Valve, Hyd Control Solenoid	1
▲▽	1	79739	(000000–)	Valve Stem N.O. CP	3
▲▲	2	79731	(000000–)	Nut, Cart., LNG CP	1
▲▲	3	79711	(000000–)	Seal Kit, Cart CP	1
▲▲	4	79740	(000000–)	Seal Kit, Coil CP	1
▲▽	5	79719	(000000–)	Valve Stem 4W2P CP	1
▲▲	6	79728	(000000–)	Nut, Cart., SHT CP	1
▲▲	7	79711	(000000–)	Seal Kit, Cart CP	1
▲▲	8	79740	(000000–)	Seal Kit, Coil CP	1
▲	9	21917	(000000–)	Coil 12V w/Var CP	4
▲▽	10	74146	(000000–)	Cart, Check Valve CP	1
▲▲	11	79711	(000000–)	Seal Kit, Cart CP	1
▲▽	12	65240	(000000–)	Cart, PSI CN CP	1
▲▲	13	79711	(000000–)	Seal Kit, Cart CP	1
▲▽	14	74268	(000000–)	Cart Flow Control CP	1
▲▲	15	79711	(000000–)	Seal Kit, Cart CP	1
▲	16	13902	(000000–)	Plug #2	6
▲	17	74098	(000000–)	Plug Gage #4	5
▲	18	13904	(000000–)	Plug Gage #6	3

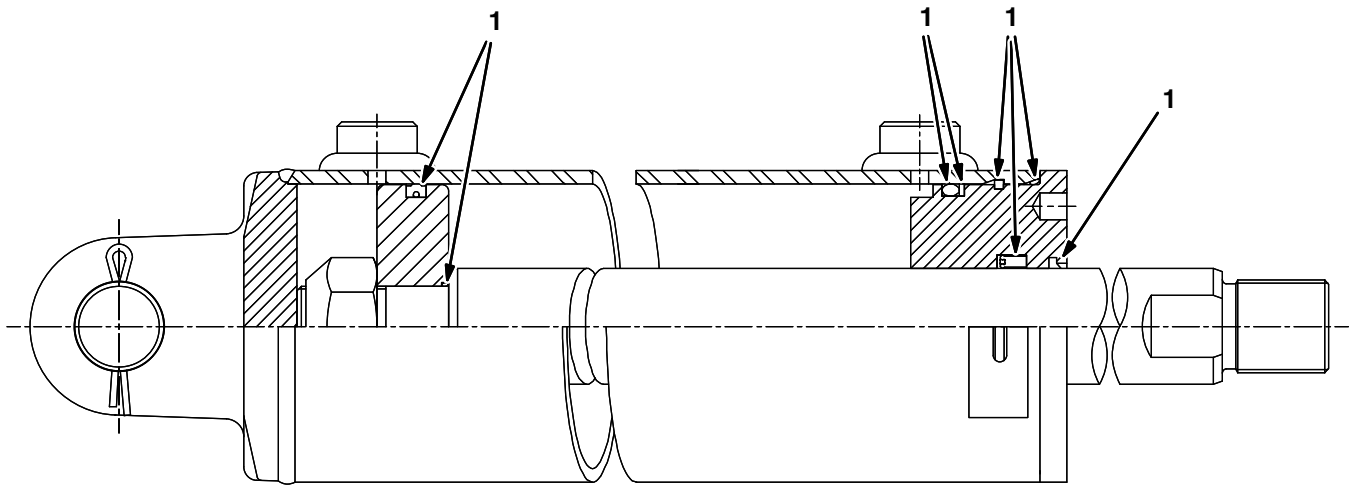
Fig. 25 – Hydraulic Cylinder Breakdown, 53601



07494 – ALL

	Ref.	Part No.	Serial Number	Description	Qty.
▽		53601	(000000–)	Cylinder, Hyd, 2.0b,15.0l, Rep.By1028492	1
▲	1	04483	(000000–)	Seal Kit	1

Fig. 26 – Hydraulic Cylinder Breakdown, 1026719



354486 – ALL

Ref.	Part No.	Serial Number	Description	Qty.
▽	1026719	(000000–) Cylinder, Hyd, 4.0b 29.1l 14.50strk 2500	1
▲	1 9001702	(000000–) Seal Kit, Cyl, Hyd	1

Fig. 27 – Cab Assembly

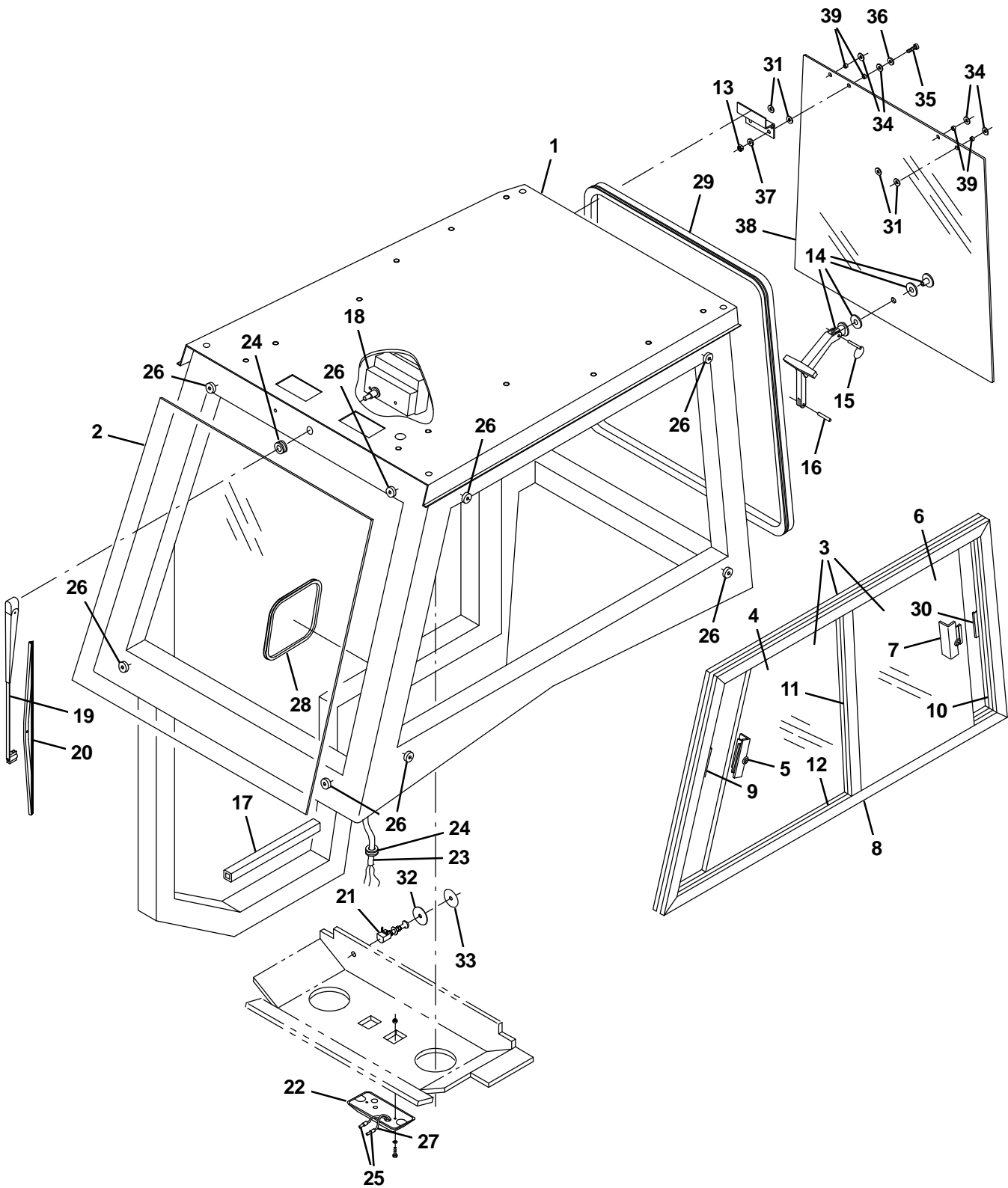


Fig. 27 – Cab Assembly

NOTE: The Cab Assembly, TENNANT Part Number 9007651 includes Fig. 27, Fig. 28, Fig. 30, and .Fig. 31

NOTE: The Cab Assembly, TENNANT Part Number 9012887 includes Fig. 27, Fig. 29, Fig. 30, and .Fig. 31

Ref.	Part No.	Serial Number	Description	Qty.
	1	1057434	(000000–) Cab Wldt, 800	1
	1	1073930	(000000–) Cab Wldt [800 Gray]	1
	2	1059997	(000000–) Pane, Glass, Windshield	1
▽	3	1062707	(000000–) Pane Assy, Cab, Lh Side	1
▲▽	4	1064896	(000000–) Pane, Glass, Cab	1
▲▲	5	1068804	(000000–) Latch Assy, Wndw [800 Cab]	1
▲▽	6	1064895	(000000–) Pane, Glass, Cab	1
▲▲	7	1068804	(000000–) Latch Assy, Wndw [800 Cab]	1
▲▽	8	21309	(000000–) Frame, Pane, Cab, Side	1
▲▲	9	374765	(000000–) Keeper, Latch, Pane	1
▲	10	1069298	(000000–) Seal Stop, Wndw	1
▲	11	1069309	(000000–) Seal, Wndw [Center Wipe]	1
▲	12	1069305	(000000–) Channel, Seal, Wndw	1
	13	08712	(000000–) Nut, Hex, Lock, M6 X 1.00, NI, Ss	4
	14	1058259	(000000–) Latch Kit, Wndw, Cab, Rear	1
	15	1062119	(000000–) Ring, Wndw, Cab, Rear	1
	16	1065921	(000000–) Pin, Roll, .187 Dia. X .56	1
	17	1061492	(000000–) Seal, Door, Rbr, 14" Lg	1
	18	311303	(000000–) Motor, Ele, Wiper, 12vdc	1
	19	1062083	(000000–) Arm, Wiper, Windshield	1
	20	1062084	(000000–) Blade, Wiper, Windshield	1
	21	1062092	(000000–) Switch, Motor, Wiper, 12v	1
▽	22	76996	(000000–) Light, Dome 12V	1
▲		374759	(000000–) Lamp	1
	23	380577	(000000–) Harness, Cab (See Fig. 31)	1
	24	10632–14	(000000–) Grommet, Rbr, 1.00id, F/1.4h, .12 Matl	2
	25	50474	(000000–) Terminal, Qm, .25 16–14ga, Blu, F–Ins	2
	26	64757	(000000–) Bumper, Rbr, Adh, 0.50d 0.14th	8
	27	77812	(000000–) Wire, Dome Light	2
	28	380692	(000000–) Molding, Trim (Gasoline only)	1
	29	1030593	(000000–) Seal, Afmkt, Bulb, 90, 0.75d F/11ga 08ft	1
	30	374294	(000000–) Latch, Keeper, Pane [J–dak]	1
	31	63416	(000000–) Washer, Flat, 0.31b 0.88d .12, Rbr	4
	32	1066313	(000000–) Plate, Sppt	1
	33	1066314	(000000–) Label, Opertnl, Switch, On–off	1
	34	1066218	(000000–) Washer, Flat, .28b 0.75d 1.80, Ne	4
	35	1065954	(000000–) Screw, Pan, Phl, M6 X 1.0 X 20, Blk	4
	36	397779	(000000–) Washer, Flat, 0.28b 1.00d .06, Stl, Blk	4
	37	32483	(000000–) Washer, Flat, 0.25, Sae	4
	38	1060000	(000000–) Glass, Pane, Windshield,800 Cab	1
	39	1061468	(000000–) Spacer, Nyl	4

Fig. 28 – Cab Door Assembly (000000-008088)

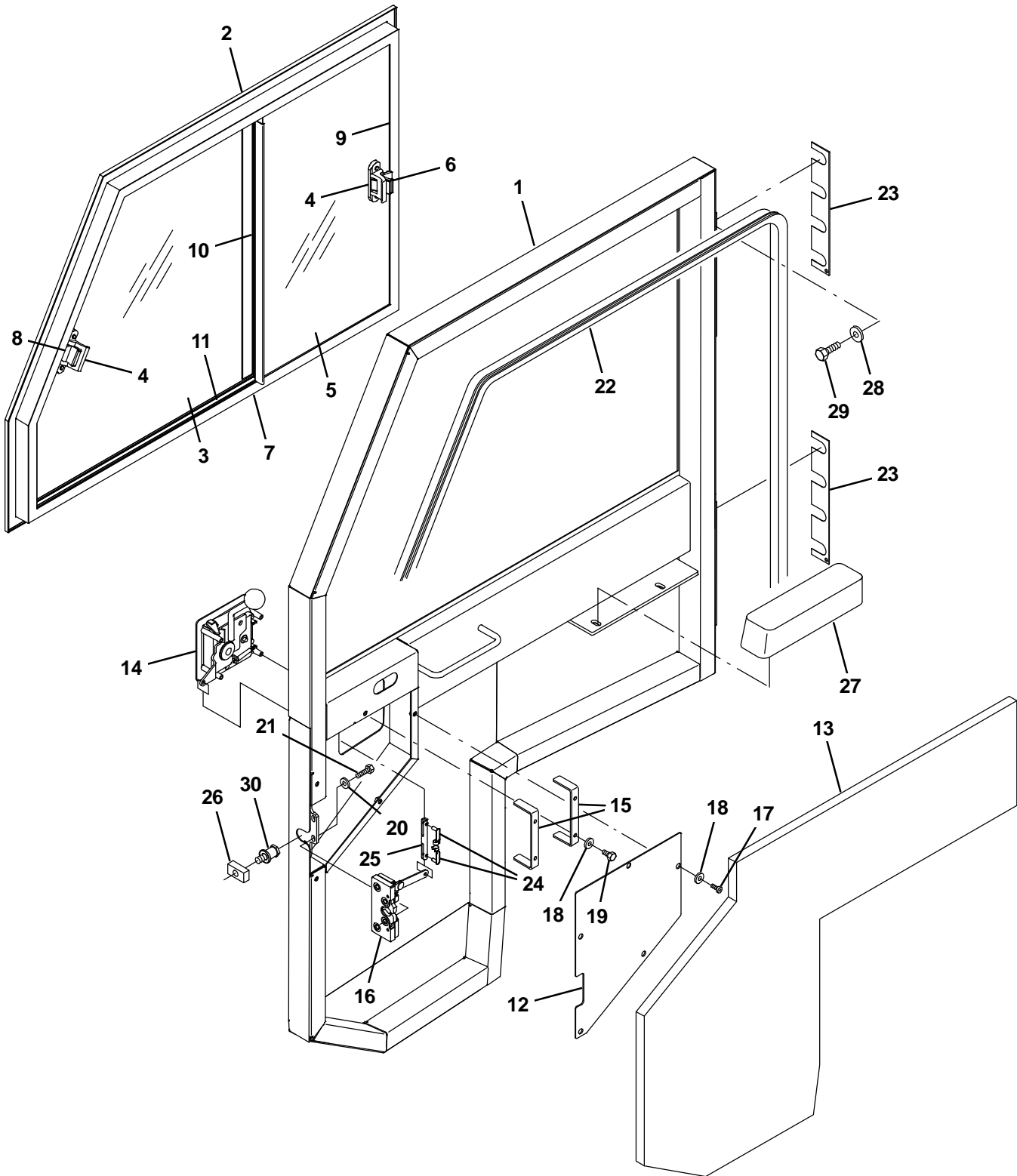


Fig. 28 – Cab Door Assembly (000000–008088)

NOTE: The Cab Assembly, TENNANT Part Number 9007651 includes Fig. 27, Fig. 28, Fig. 30, and Fig. 31

Ref.	Part No.	Serial Number	Description	Qty.
▽	9009006	(000000–008088)	Door Assy, Cab, Replmt [800]	1
▲	1 1057885	(000000–008088)	Door Wldt, Cab	1
▲▽	2 1062708	(000000–008088)	Pane Assy, Door, Cab, Rh Side	1
▲▲	3 1064893	(000000–008088)	Pane, Glass, Door	1
▲▲	4 1068804	(000000–008088)	Latch Assy, Wndw [800 Cab]	2
▲▲	5 1064894	(000000–008088)	Pane, Glass, Door	1
▲▲	6 374294	(000000–008088)	Latch, Keeper, Pane [J-dak]	1
▲▲	7 21313	(000000–008088)	Frame, Pane, Door, Side	1
▲▲	8 374765	(000000–008088)	Keeper, Latch, Pane	1
▲▲	9 1069298	(000000–008088)	Seal Stop, Wndw	1
▲▲	10 1069309	(000000–008088)	Seal, Wndw [Center Wipe]	2
▲▲	11 1069305	(000000–008088)	Channel, Seal, Wndw	1
▲	12 1058309	(000000–008088)	Cover, Latch Assy, Door	1
▲	13 1065909	(000000–008088)	Insulation, Acstc, Door, Side	1
▲	14 1058254	(000000–008088)	Latch Assy, Door	1
▲	21150	(000000–008088)	Key Set	1
▲	15 1061447	(000000–008088)	Bracket, Latch, Sppt	2
▲	16 1058256	(000000–008088)	Lock Assy, Door	1
▲	17 06933	(000000–008088)	Screw, Pan, Phl, M5 X 0.80 X 16, 4.8	5
▲	18 19066	(000000–008088)	Washer, Flat, 0.25b 0.56d .05, PI, 10	9
▲	19 42011	(000000–008088)	Screw, Hex, 10–24 X 0.50, Ss	4
▲	20 32483	(000000–008088)	Washer, Flat, 0.25, Sae	3
▲	21 25046	(000000–008088)	Screw, Hex, .25–20 X 1.00, G5	3
▲	22 1030601	(000000–008088)	Seal, Afmkt, Bulb, 90, 0.75d F/11ga 20ft	1
▲	23 1062143	(000000–008088)	Plate, Shim	2
▲	24 1058258	(000000–008088)	Clip, Retainer	2
▲	25 1058257	(000000–008088)	Link, Connecting	1
	26 1061655	(000000–008088)	Plate, Thrd	1
	27 311336	(000000–008088)	Armrest, Black	1
	28 32492	(000000–008088)	Washer, Flat, 0.38, Std	8
	29 06961	(000000–008088)	Screw, Hex, M10 X 1.5	8
	30 58490	(000000–008088)	Pin, Latch	1

Fig. 29 – Cab Door Assembly (008089–)

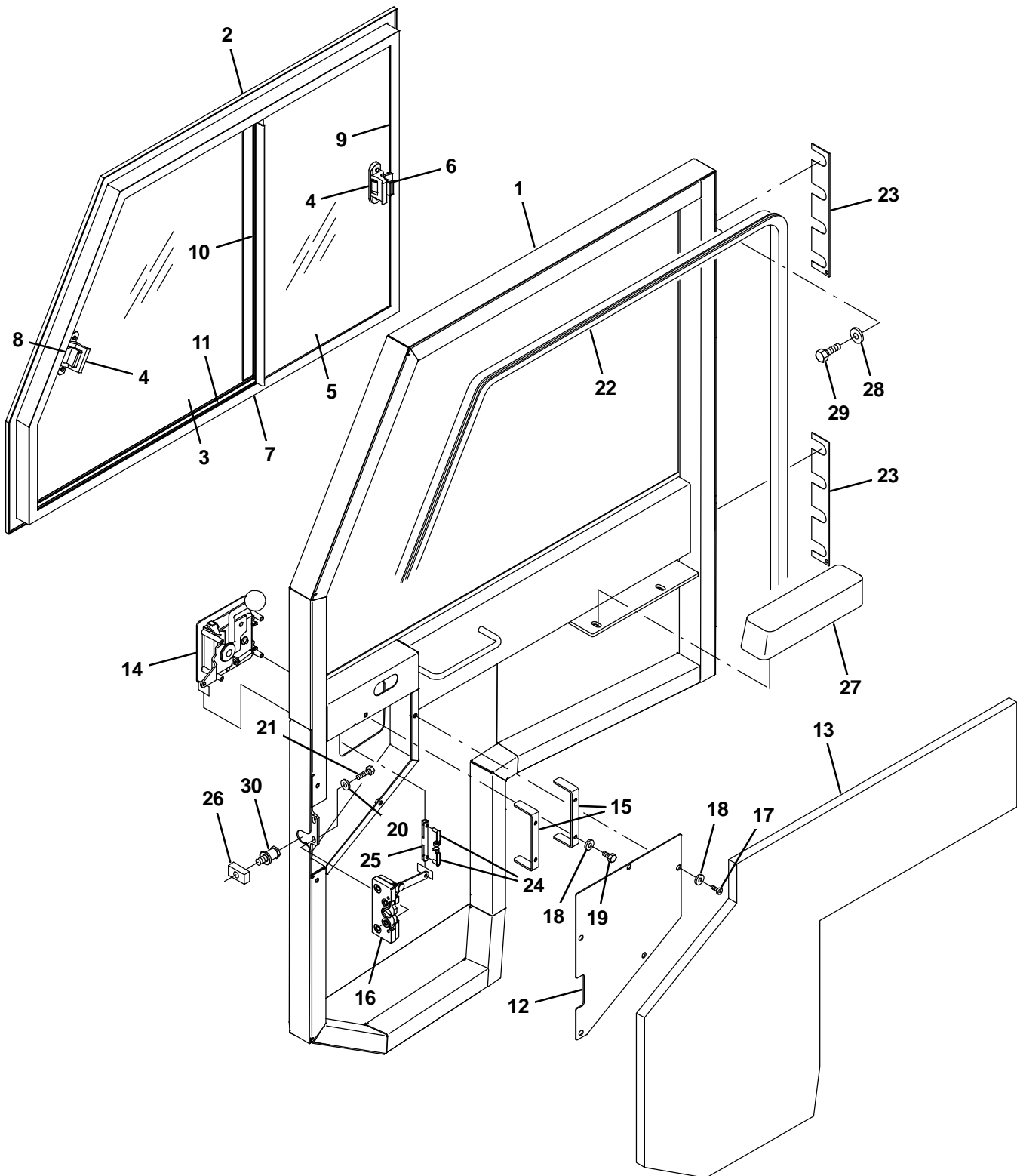


Fig. 29 – Cab Door Assembly (008089–)

NOTE: The Cab Assembly, TENNANT Part Number 9012887 includes Fig. 27, Fig. 29, Fig. 30, and Fig. 31

Ref.	Part No.	Serial Number	Description	Qty.
▽	9012899	(008089–)	Door Assy, Cab, Replmt [800gray]	1
▲	1 1073931	(008089–)	Door Wldt, Cab [800 Gray]	1
▲▽	2 1062708	(008089–)	Pane Assy, Door, Cab, Rh Side	1
▲▲	3 1064893	(008089–)	Pane, Glass, Door	1
▲▲	4 1068804	(008089–)	Latch Assy, Wndw [800 Cab]	2
▲▲	5 1064894	(008089–)	Pane, Glass, Door	1
▲▲	6 374294	(008089–)	Latch, Keeper, Pane [J-dak]	1
▲▲	7 21313	(008089–)	Frame, Pane, Door, Side	1
▲▲	8 374765	(008089–)	Keeper, Latch, Pane	1
▲▲	9 1069298	(008089–)	Seal Stop, Wndw	1
▲▲	10 1069309	(008089–)	Seal, Wndw [Center Wipe]	2
▲▲	11 1069305	(008089–)	Channel, Seal, Wndw	1
▲	12 1074539	(008089–)	Cover, Latch Assy, Door [800 Gray]	1
▲	13 1065909	(008089–)	Insulation, Acstc, Door, Side	1
▲	14 1058254	(008089–)	Latch Assy, Door	1
▲	21150	(008089–)	Key Set	1
▲	15 1061447	(008089–)	Bracket, Latch, Sppt	2
▲	16 1058256	(008089–)	Lock Assy, Door	1
▲	17 06933	(008089–)	Screw, Pan, Phl, M5 X 0.80 X 16, 4.8	5
▲	18 19066	(008089–)	Washer, Flat, 0.25b 0.56d .05, PI, 10	9
▲	19 42011	(008089–)	Screw, Hex, 10–24 X 0.50, Ss	4
▲	20 32483	(008089–)	Washer, Flat, 0.25, Sae	3
▲	21 25046	(008089–)	Screw, Hex, .25–20 X 1.00, G5	3
▲	22 1030601	(008089–)	Seal, Afmkt, Bulb, 90, 0.75d F/11ga 20ft	1
▲	23 1062143	(008089–)	Plate, Shim	2
▲	24 1058258	(008089–)	Clip, Retainer	2
▲	25 1058257	(008089–)	Link, Connecting	1
	26 1061655	(008089–)	Plate, Thrd	1
	27 311336	(008089–)	Armrest, Black	1
	28 32492	(008089–)	Washer, Flat, 0.38, Std	8
	29 06961	(008089–)	Screw, Hex, M10 X 1.5	8
	30 58490	(008089–)	Pin, Latch	1

Fig. 30 – Cab Insulation Group

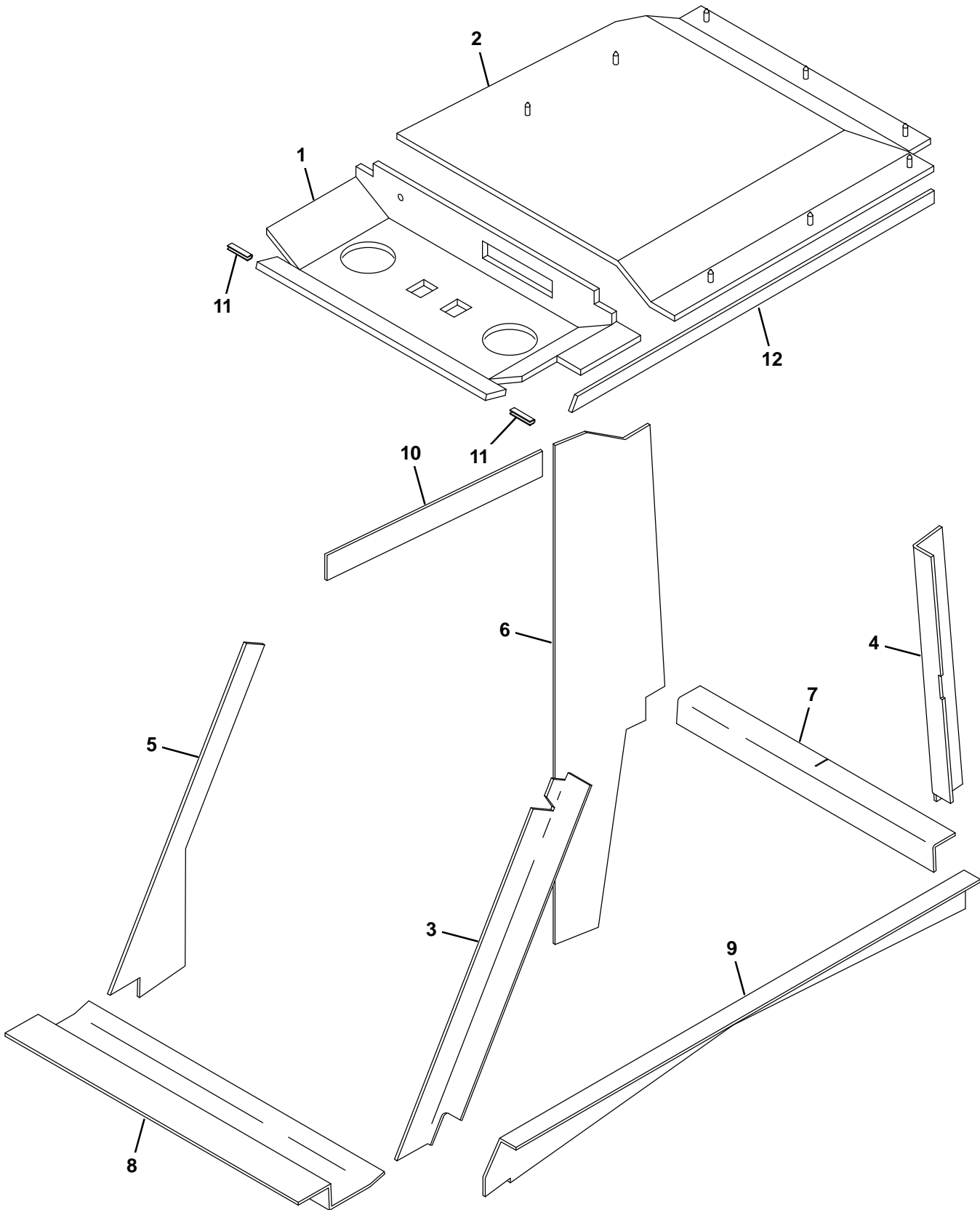


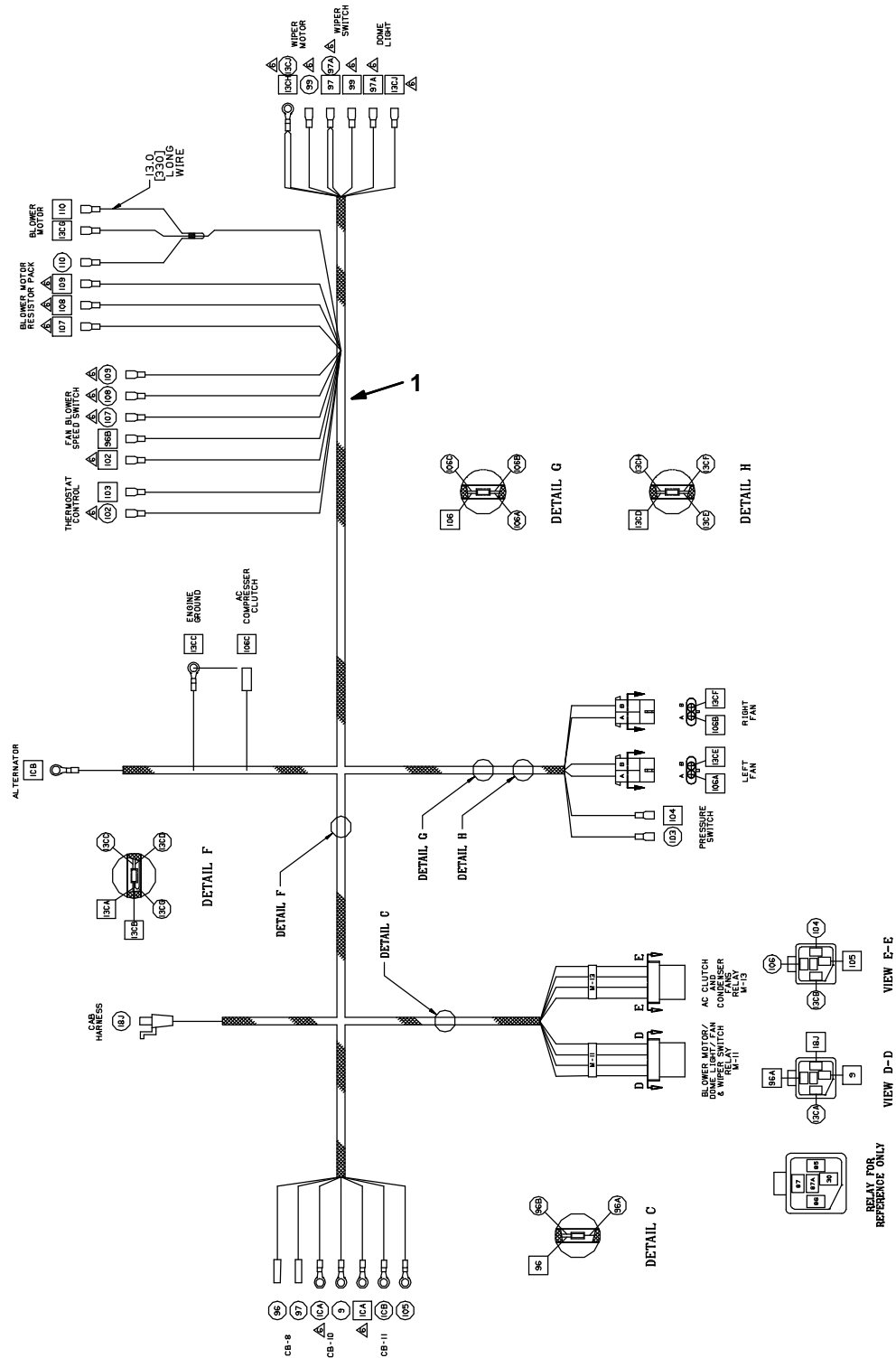
Fig. 30 – Cab Insulation Group

NOTE: The Cab Assembly, TENNANT Part Number 9007651 includes Fig. 27, Fig. 28, Fig. 30, and .Fig. 31

NOTE: The Cab Assembly, TENNANT Part Number 9012887 includes Fig. 27, Fig. 29, Fig. 30, and .Fig. 31

Ref.	Part No.	Serial Number	Description	Qty.
1	77800	(000000–)	Insulation, Acstc, Cab Front	1
2	77801	(000000–)	Insulation, Acstc, Cab Rear	1
3	77802	(000000–)	Insulation, Acstc, Cab, Leg, Front	1
4	77803	(000000–)	Insulation, Acstc, Cab, Leg, Rear	1
5	77804	(000000–)	Insulation, Acstc, Cab, Leg, Front	1
6	77805	(000000–)	Insulation, Acstc, Cab, Leg, Rear	1
7	77806	(000000–)	Insulation, Acstc, Cab, Proj, Rear	1
8	77807	(000000–)	Insulation, Acstc, Cab, Proj, Front	1
9	77808	(000000–)	Insulation, Acstc, Cab, Proj, Side	1
10	77809	(000000–)	Insulation, Acstc, Cab, Proj, Upper	1
11	384156	(000000–)	Molding, Trim, Pvc, .18–.31 01.5l	2
12	1070055	(000000–)	Insulation, Acstc, Cab, Proj, Ls	1

Fig. 31 – Cab Wire Harness Group



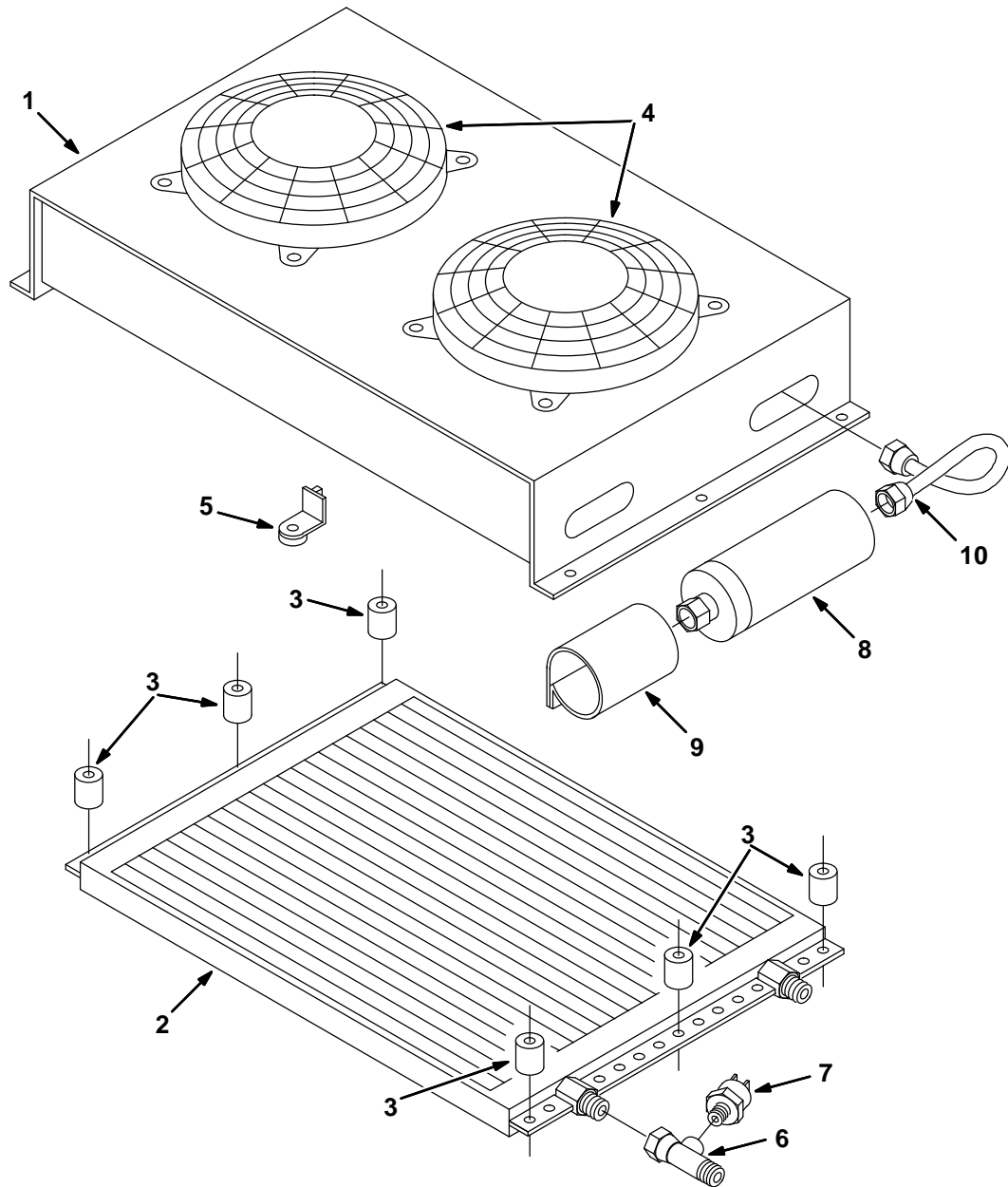
NOTE: The Cab Assembly, TENNANT Part Number 9007651 includes Fig. 27, Fig. 28, Fig. 30, and .Fig. 31

NOTE: The Cab Assembly, TENNANT Part Number 9012887 includes Fig. 27, Fig. 29, Fig. 30, and .Fig. 31

351143 – ALL

Ref.	Part No.	Serial Number	Description	Qty.
1	380577	(00000–)	Harness, Cab, 800/810	1

Fig. 32 – AC Condenser Box Breakdown, 380625 (000000–008088)



350830 – ALL

Ref.	Part No.	Serial Number	Description	Qty.
▽	380625	(000000–008088)	Condenser Assy, A/C	1
▲	1 380666	(000000–008088)	Housing, Condenser	1
▲	2 380667	(000000–008088)	Coil, Condenser	1
▲	3 380668	(000000–008088)	Spacer, Condenser	6
▲	4 380669	(000000–008088)	Fan, Condenser	2
▲	5 380670	(000000–008088)	Foot, Fan	8
▲	6 380671	(000000–008088)	Ftg, Shrader	1
▲	7 393349	(000000–008088)	Switch, A/C [Binary]	1
▲	8 380627	(000000–008088)	Dryer, Ac	1
▲	9 380628	(000000–008088)	Bracket,A/C Dryer	1
▲	10 380626	(000000–008088)	Tube Asy,Cond/Dry	1

Fig. 33 – AC Condenser Box Breakdown, 9012898 (008089-)

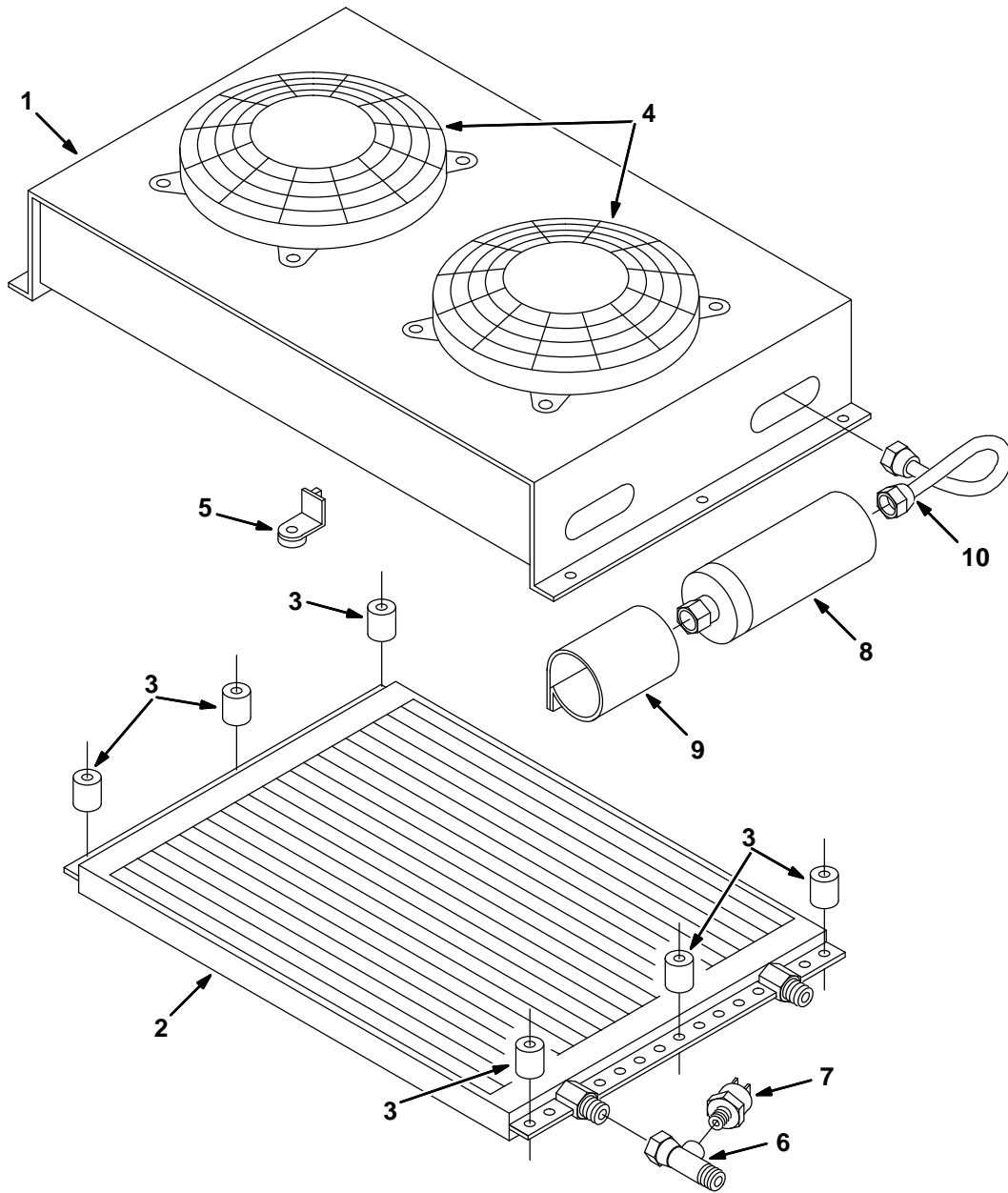


Fig. 33 – AC Condenser Box Breakdown, 9012898 (008089–)

	Ref.	Part No.	Serial Number	Description	Qty.
▽		9012898	(008089–)	Condenser, A/C, Roof [R134 Bd, Gray]	1
▲	1	1073906	(008089–)	Condenser, A/C [Badger Gray]	1
▲	2	380667	(008089–)	Coil, Condenser	1
▲	3	380668	(008089–)	Spacer, Condenser	6
▲	4	380669	(008089–)	Fan, Condenser	2
▲	5	380670	(008089–)	Foot, Fan	8
▲	6	380671	(008089–)	Ftg, Shrader	1
▲	7	393349	(008089–)	Switch, A/C [Binary]	1
▲	8	380627	(008089–)	Dryer, Ac	1
▲	9	380628	(008089–)	Bracket,A/C Dryer	1
▲	10	380626	(008089–)	Tube Asy,Cond/Dry	1

Fig. 34 – AC and Heater Box Breakdown, 380613 (00000–008088)

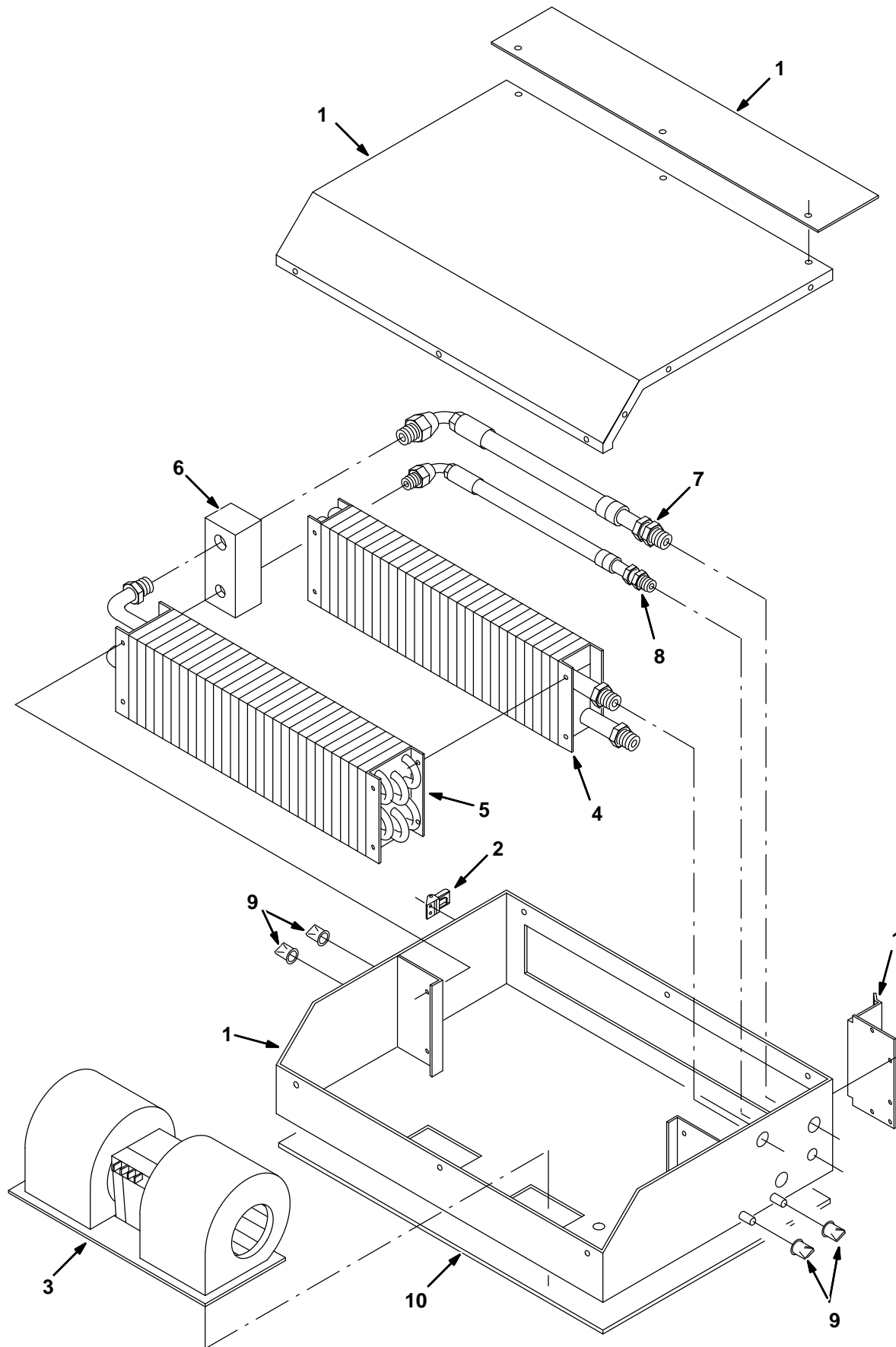


Fig. 34 – AC and Heater Box Breakdown, 380613 (000000–008088)

	Ref.	Part No.	Serial Number	Description	Qty.
▽		380613	(000000–008088)	Box Assy, Heat/Ac	1
▲	1	388407	(000000–008088)	Housing Assembly	1
▲	2	87579	(000000–008088)	Latch, Tension	1
▲	3	380649	(000000–008088)	Blower, Heat/Ac	1
▲	4	380650	(000000–008088)	Heater Coil	1
▲	5	380651	(000000–008088)	Coil, Evaporator	1
▲	6	380652	(000000–008088)	Valve, Expansion	1
▲	7	380578	(000000–008088)	A/C Hose#10 134A	1
▲	8	380579	(000000–008088)	A/C Hose #6 134A	1
▲	9	380659	(000000–008088)	Duck Bill	4
▲	10	380616	(000000–008088)	Gasket, Box/Cab	1

Fig. 35 – AC and Heater Box Breakdown, 1073904 (008089–)

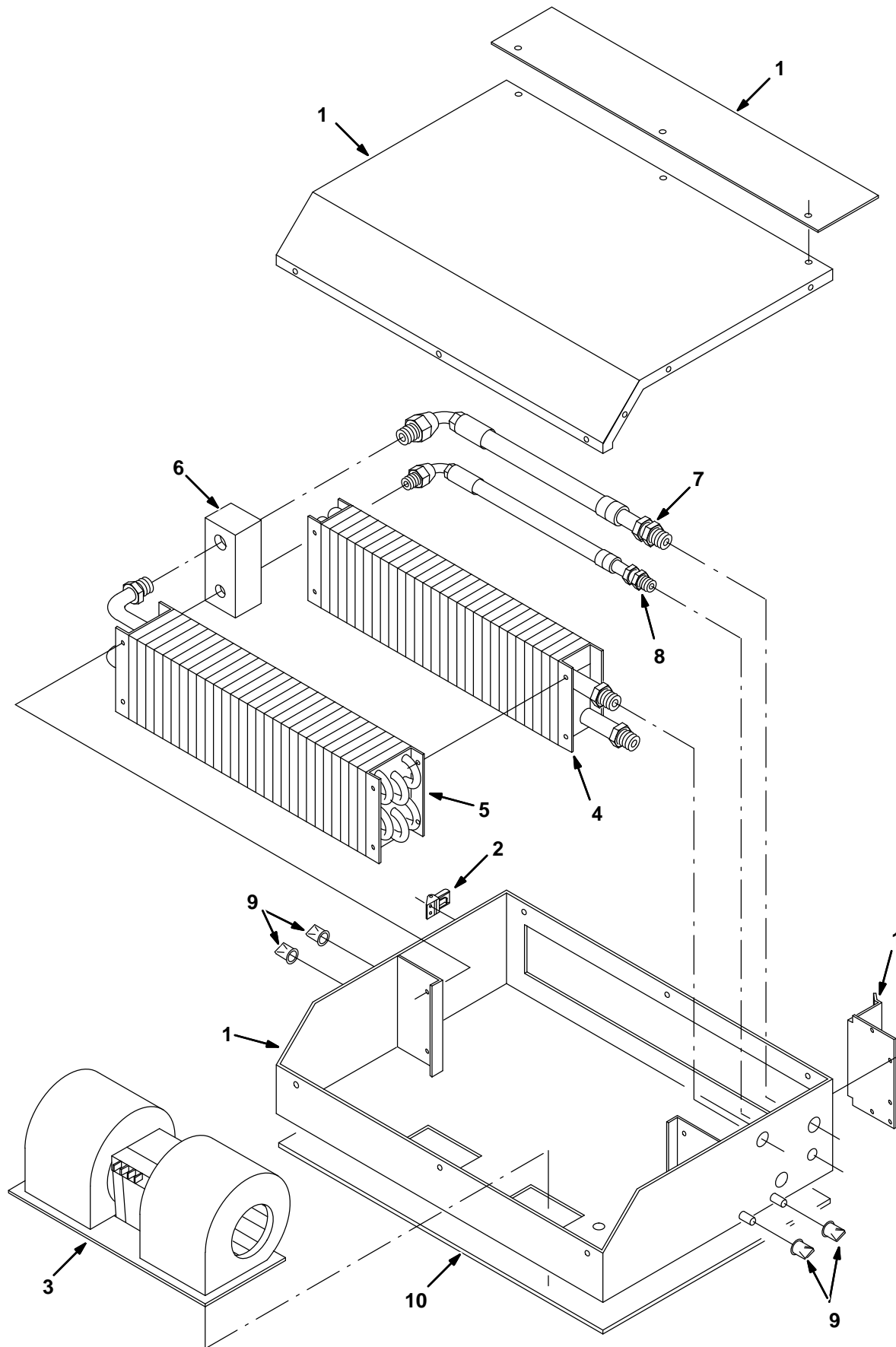


Fig. 35 – AC and Heater Box Breakdown, 1073904 (008089–)

	Ref.	Part No.	Serial Number	Description	Qty.
▽		1073904	(008089–)	Heater, W/ A/C [Badger, Gray]	1
▲	1	1073907	(008089–)	Housing, Heater [Badger, Gray]	1
▲	2	87579	(008089–)	Latch, Tension	1
▲	3	380649	(008089–)	Blower, Heat/Ac	1
▲	4	380650	(008089–)	Heater Coil	1
▲	5	380651	(008089–)	Coil, Evaporator	1
▲	6	380652	(008089–)	Valve, Expansion	1
▲	7	380578	(008089–)	A/C Hose#10 134A	1
▲	8	380579	(008089–)	A/C Hose #6 134A	1
▲	9	380659	(008089–)	Duck Bill	4
▲	10	380616	(008089–)	Gasket, Box/Cab	1

Fig. 36 – Heater Box Breakdown, 380614 (000000–008088)

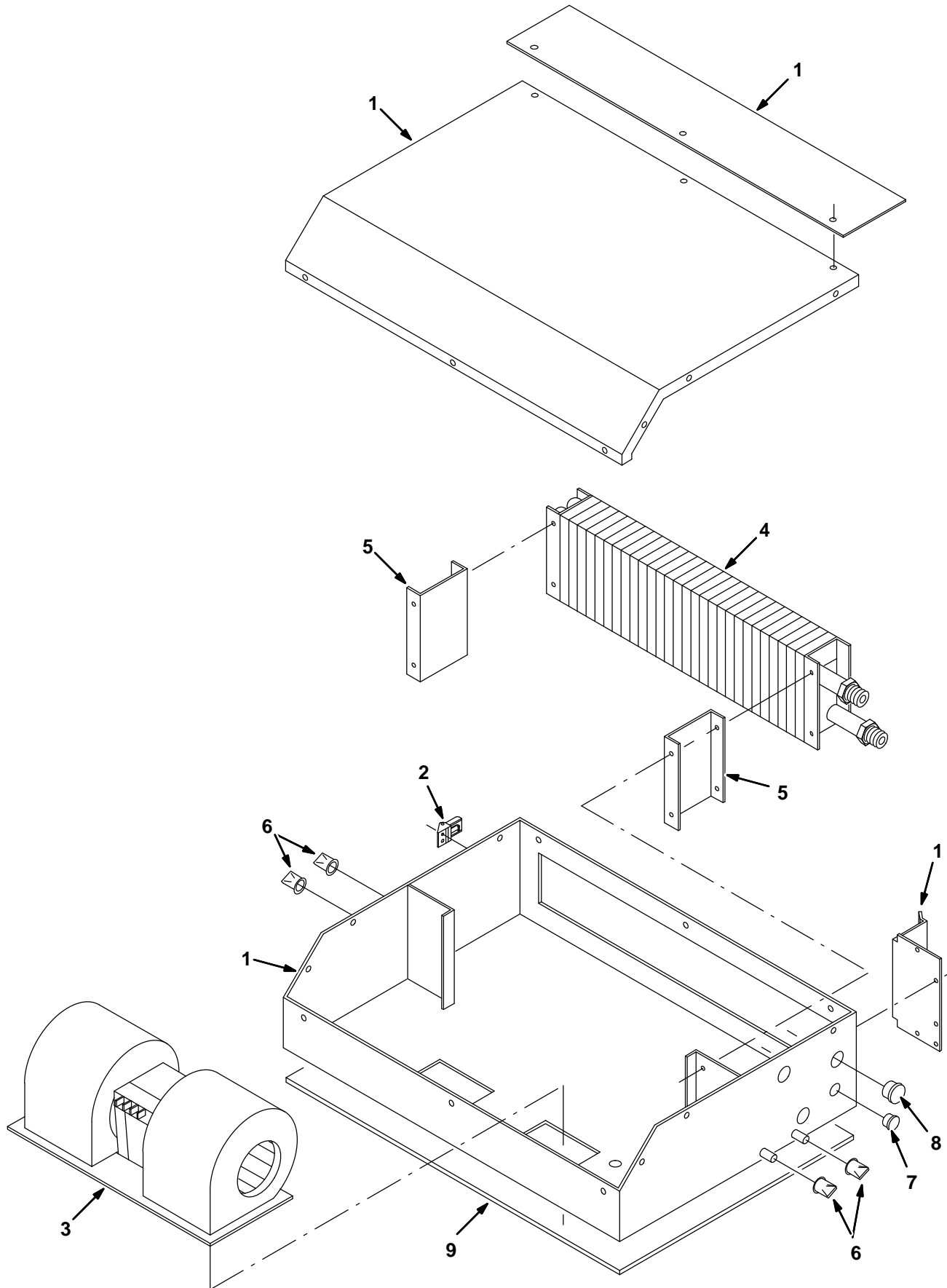


Fig. 36 - Heater Box Breakdown, 380614 (000000-008088)

	Ref.	Part No.	Serial Number	Description	Qty.
▽		380614	(000000-008088)	Box Assy, Heat	1
▲	1	388407	(000000-008088)	Housing Assembly	1
▲	2	87579	(000000-008088)	Latch, Tension	1
▲	3	380649	(000000-008088)	Blower, Heat/Ac	1
▲	4	380650	(000000-008088)	Heater Coil	1
▲	5	380660	(000000-008088)	Brkt,Mtg,Htr Coil	2
▲	6	380659	(000000-008088)	Duck Bill	4
▲	7	57167	(000000-008088)	Plugbtn .62H .03-.12 Blacknyl	1
▲	8	82727	(000000-008088)	Plugbtn .88H .03-.12 Blacknyl	1
▲	9	380616	(000000-008088)	Gasket, Box/Cab	1

Fig. 37 – Heater Box Breakdown, 1073905 (008089-)

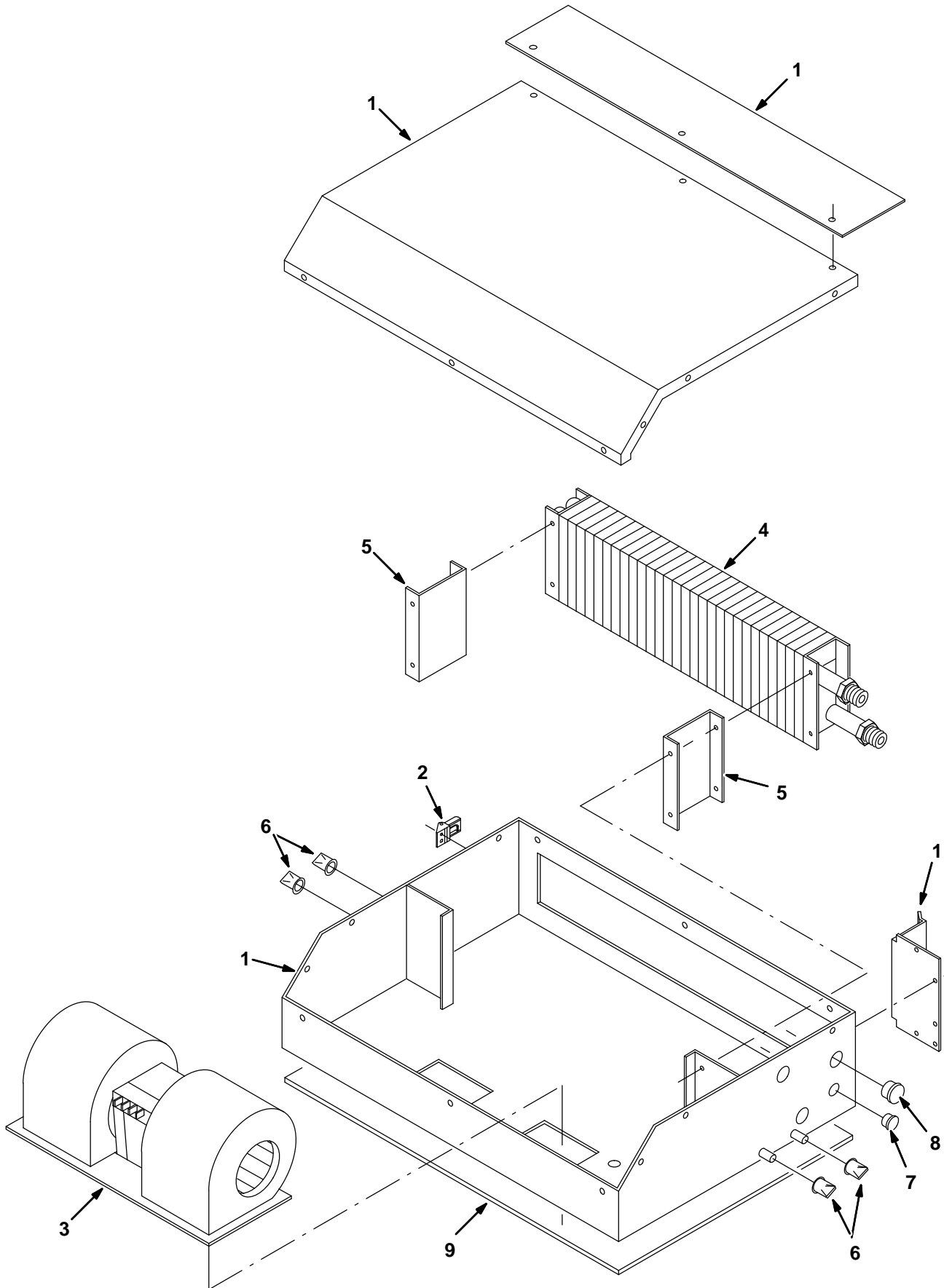


Fig. 37 – Heater Box Breakdown, 1073905 (008089–)

	Ref.	Part No.	Serial Number	Description	Qty.
▽		1073905	(008089–)	Heater [Badger, Gray]	1
▲	1	1073907	(008089–)	Housing, Heater [Badger, Gray]	1
▲	2	87579	(008089–)	Latch, Tension	1
▲	3	380649	(008089–)	Blower, Heat/Ac	1
▲	4	380650	(008089–)	Heater Coil	1
▲	5	380660	(008089–)	Brkt,Mtg,Htr Coil	2
▲	6	380659	(008089–)	Duck Bill	4
▲	7	57167	(008089–)	Plugbtn .62H .03–.12 Blacknyl	1
▲	8	82727	(008089–)	Plugbtn .88H .03–.12 Blacknyl	1
▲	9	380616	(008089–)	Gasket, Box/Cab	1

Fig. 38 – Brake Assy, Right Hand (R.h.) 77790

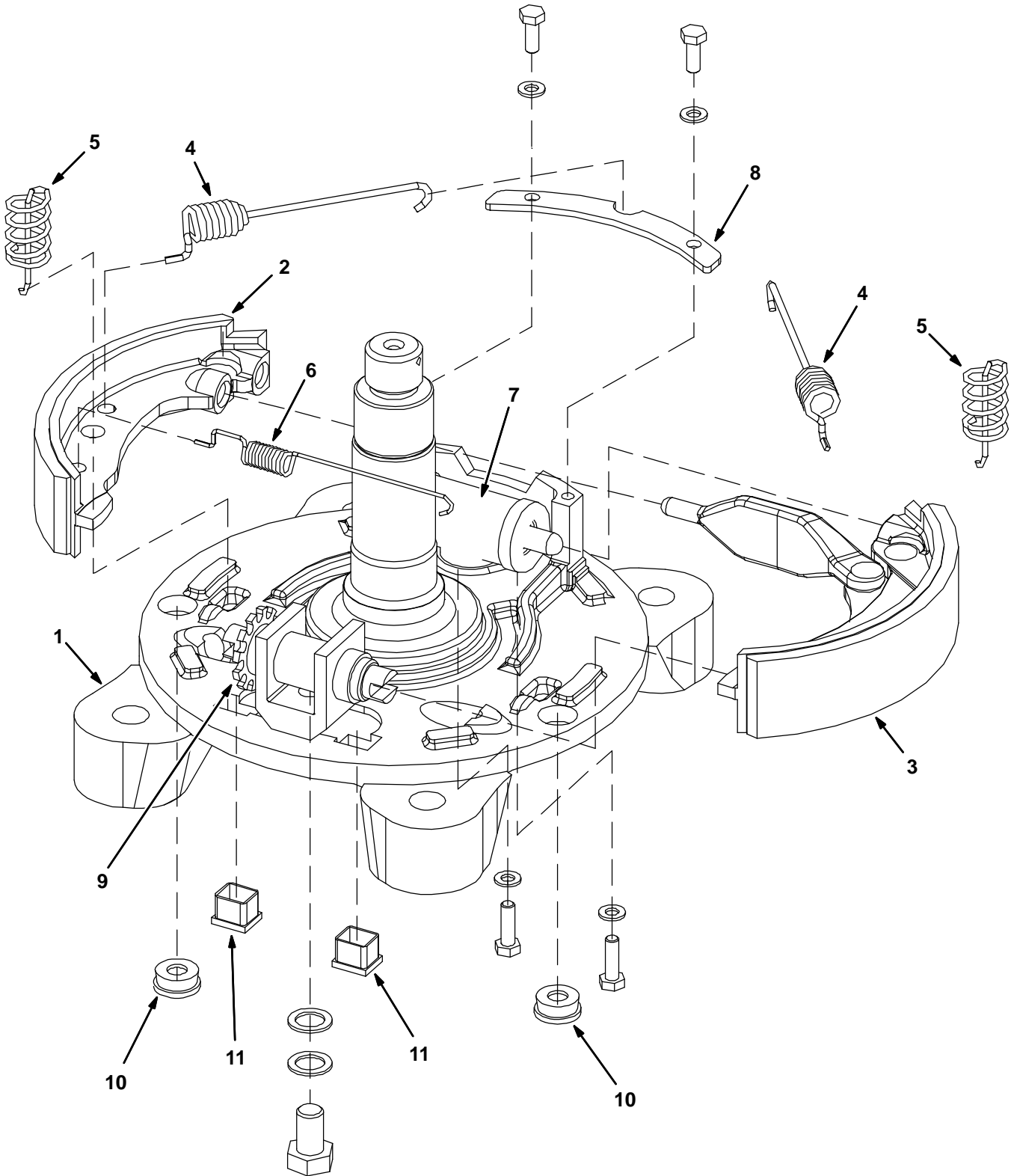


Fig. 38 – Brake Assy, Right Hand (R.h.) 77790

	Ref.	Part No.	Serial Number	Description	Qty.
▽		77790	(000000–)	Brake Assy, Drum, Hyd, 08.8d 1.6w Rh	1
▲	1	77768	(000000–)	Backing Plate Rh	1
▲	2	70613	(000000–)	Shoe, Brake	1
▲	3	70612	(000000–)	Shoe, Brake	1
▲	4	21728	(000000–)	Spring	2
▲	5	70617	(000000–)	Spring	2
▲	6	70618	(000000–)	Spring	1
▲	7	70609	(000000–)	Cylinder, Wheel, Brake	1
▲	8	70603	(000000–)	Clamp, Hold Down	1
▲	9	70615	(000000–)	Adjuster, Manual	1
▲	10	372950	(000000–)	Plug, Rbr, Rnd	2
▲	11	372951	(000000–)	Plug, Plstc, Sq	2

Fig. 39 – Brake Assy, Left Hand (L.h.) 77770

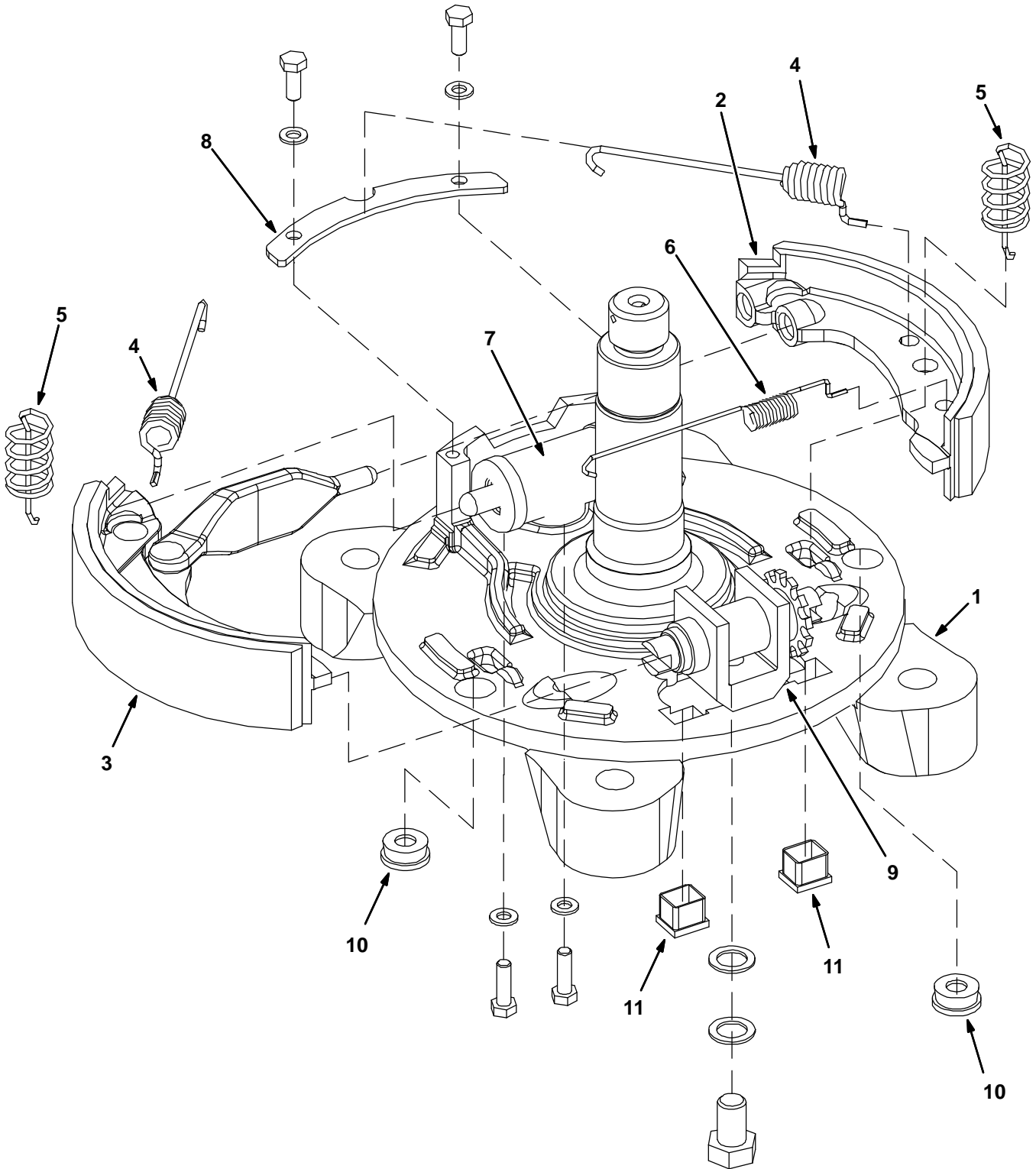


Fig. 39 – Brake Assy, Left Hand (L.h.) 77770

	Ref.	Part No.	Serial Number	Description	Qty.
▽		77770	(000000–)	Brake Assy, Drum, Hyd, 08.0d 1.6w Lh	1
▲	1	77769	(000000–)	Plate, Backing	1
▲	2	70613	(000000–)	Shoe, Brake	1
▲	3	70611	(000000–)	Shoe, Brake	1
▲	4	21728	(000000–)	Spring	2
▲	5	70617	(000000–)	Spring	2
▲	6	70618	(000000–)	Spring	1
▲	7	70609	(000000–)	Cylinder, Wheel, Brake	1
▲	8	70603	(000000–)	Clamp, Hold Down	1
▲	9	70615	(000000–)	Adjuster, Manual	1
▲	10	372950	(000000–)	Plug, Rbr, Rnd	2
▲	11	372951	(000000–)	Plug, Plstc, Sq	2

Fig. 40 - LPG EFI Breakdown, 371894

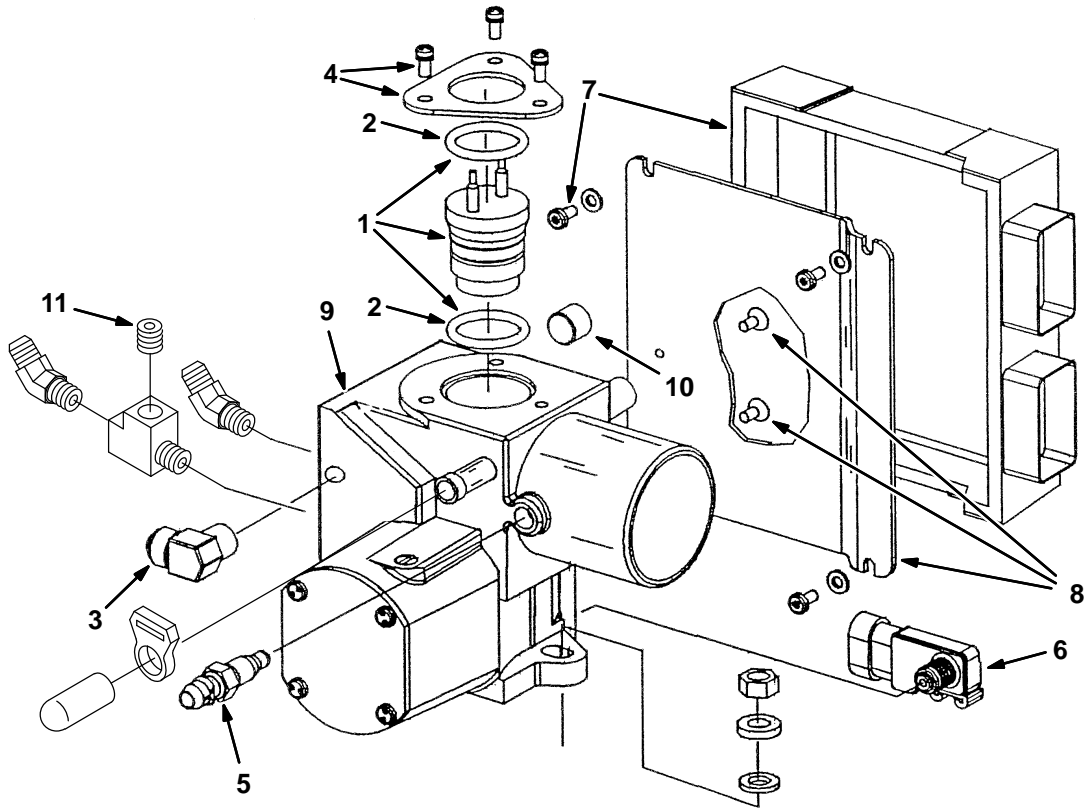


Fig. 40 – LPG EFI Breakdown, 371894

	Ref.	Part No.	Serial Number	Description	Qty.
▽		371894	(000000–) Housing Assy, Throttle, Lpg, [With Ecu]	1
▲▽	1	1017270	(000000–) Injector, Fuel, Lpg [3.0l Gm] 8410	1
▲▲	2	371665	(000000–) Kit, Org, Injector, Top And Bottom, Lpg	1
▲	3	371666	(000000–) Fitting, Fuel Inlet, Lpg	1
▲	4	371651	(000000–) Plate, Injector Mtg, W/ Screw	1
▲	5	371653	(000000–) Sensor, Temp	1
▲		371714	(000000–) Kit, Connector, Coolant Sensor	1
▲		371715	(000000–) Kit, Connector, Sensor, [lat]	1
▲	6	371654	(000000–) Sensor, Manifold Press	1
▲		371713	(000000–) Kit, Connector, Sensor, [Map]	1
▲	7	9000823	(000000–) Kit, Replmt, Controller	1
▲	8	391891	(000000–) Plate, Mtg, W/ Screw, [Ecu], Lpg	1
▲	9	371669	(000000–) Housing, Throttle, Lpg	1
▲		371718	(000000–) Kit, Connector, Govnr	1
▲	10	371660	(000000–) Fitting, Coolant Plug	1
▲	11	10552	(000000–) Fitting, Pipe, Plug, Pm02 Soc Head	1

Fig. 41 – LPG EFI Breakdown, 371895

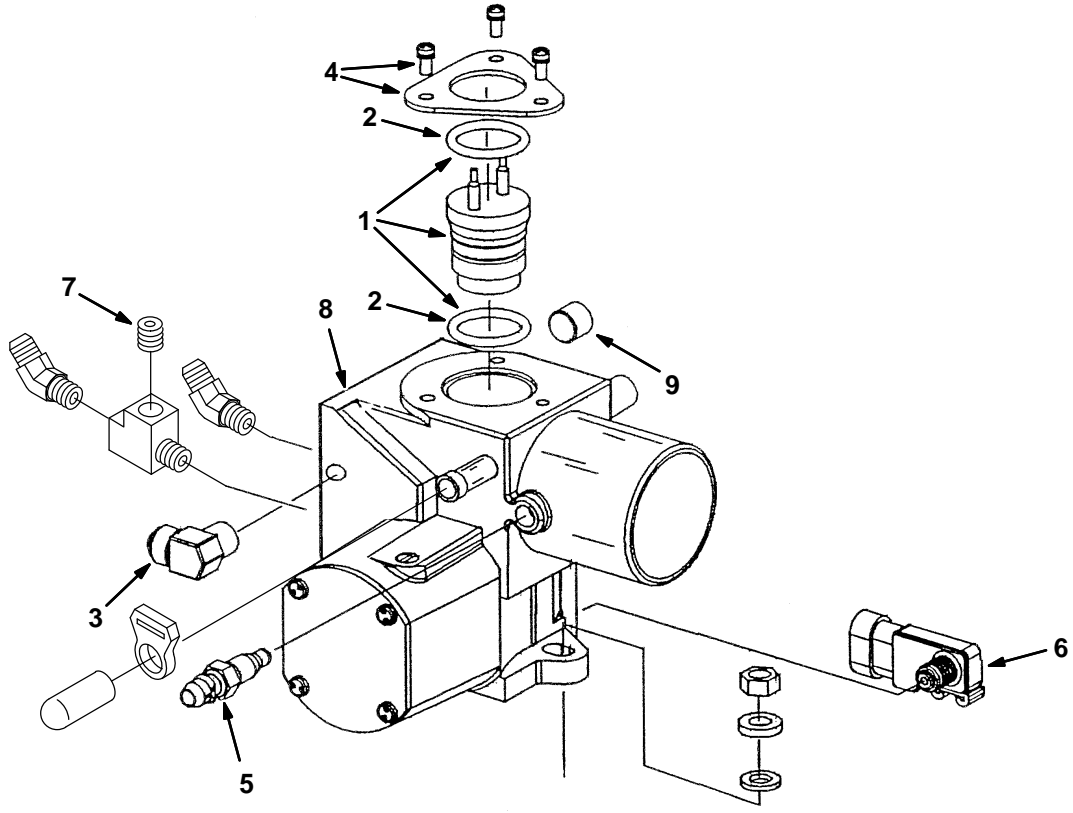


Fig. 41 – LPG EFI Breakdown, 371895

	Ref.	Part No.	Serial Number	Description	Qty.
▽		371895	(000000–) Housing Assy, Throttle, Lpg, [Without Ecu]	1
▲▽	1	1017270	(000000–) Injector, Fuel, Lpg [3.0l Gm] 8410	1
▲▲	2	371665	(000000–) Kit, Org, Injector, Top And Bottom, Lpg	1
▲	3	371666	(000000–) Fitting, Fuel Inlet, Lpg	1
▲	4	371651	(000000–) Plate, Injector Mtg, W/ Screw	1
▲	5	371653	(000000–) Sensor, Temp	1
▲		371714	(000000–) Kit, Connector, Coolant Sensor	1
▲		371715	(000000–) Kit, Connector, Sensor, [lat]	1
▲	6	371654	(000000–) Sensor, Manifold Press	1
▲		371713	(000000–) Kit, Connector, Sensor, [Map]	1
▲	7	10552	(000000–) Fitting, Pipe, Plug, Pm02 Soc Head	1
▲	8	371669	(000000–) Housing, Throttle, Lpg	1
▲		371718	(000000–) Kit, Connector, Govnr	1
▲	9	371660	(000000–) Fitting, Coolant Plug	1

Fig. 42 – Gasoline EFI Breakdown, 371896

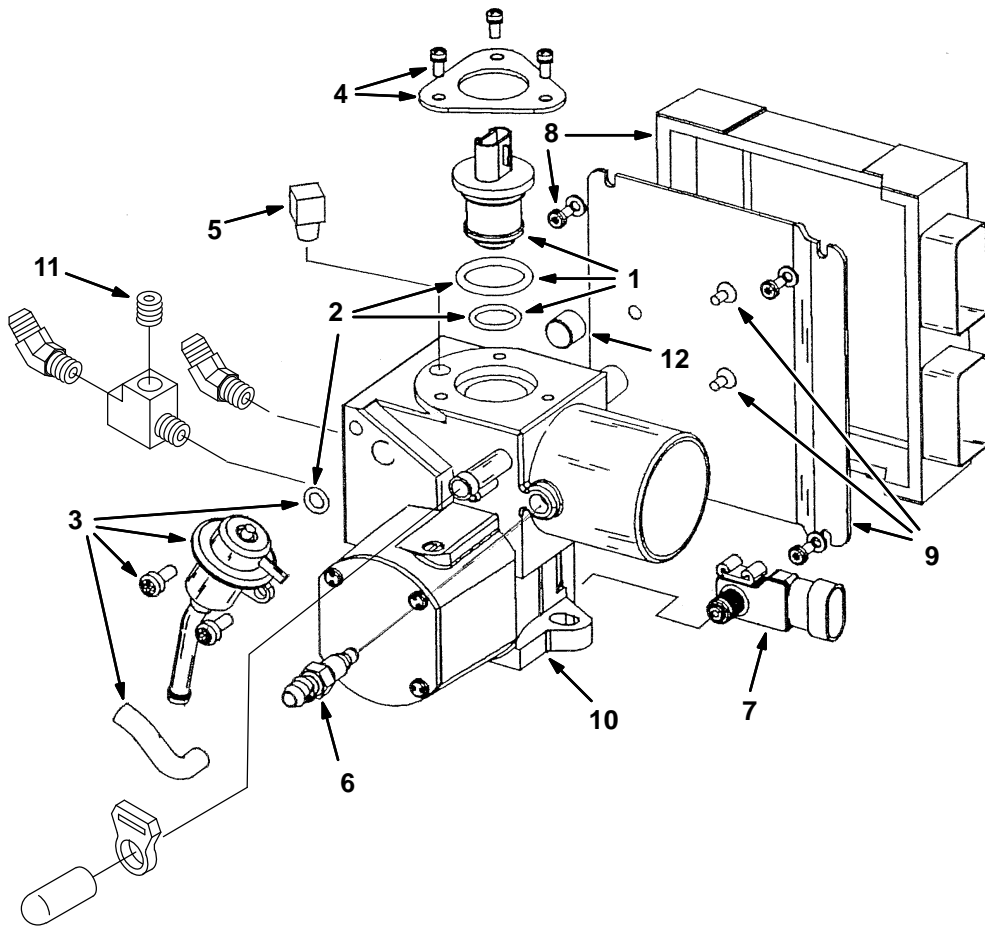


Fig. 42 – Gasoline EFI Breakdown, 371896

	Ref.	Part No.	Serial Number	Description	Qty.
▽		371896	(000000–) Housing Assy, Throttle, Gas, [With Ecu]	1
▲▽	1	371899	(000000–) Injector, Gas, W/ Top And Bottom Org	1
▲▲	2	371649	(000000–) Kit, Org, Injector And Reg, Gas	1
▲		371716	(000000–) Kit, Connector, Gas Injector	1
▲	3	371908	(000000–) Kit, Reg, Gas Press	1
▲	4	371651	(000000–) Plate, Injector Mtg, W/ Screw	1
▲	5	15555–2	(000000–) Fitting, Brs, E90, If05/Pm04	1
▲		371714	(000000–) Kit, Connector, Coolant Sensor	1
▲		371715	(000000–) Kit, Connector, Sensor, [lat]	1
▲	6	371653	(000000–) Sensor, Temp	1
▲	7	371654	(000000–) Sensor, Manifold Press	1
▲	8	371901	(000000–) Control, Electronic, Gas	1
▲	9	391890	(000000–) Plate, Mtg, W/ Screw, [Ecu], Gas	1
▲	10	371902	(000000–) Housing, Throttle, Gas	1
▲		371718	(000000–) Kit, Connector, Govnr	1
▲	11	10552	(000000–) Fitting, Pipe, Plug, Pm02 Soc Head	1
▲	12	371660	(000000–) Fitting, Coolant Plug	1

Fig. 43 – Gasoline Electronic Fuel Ignition Breakdown, 371897

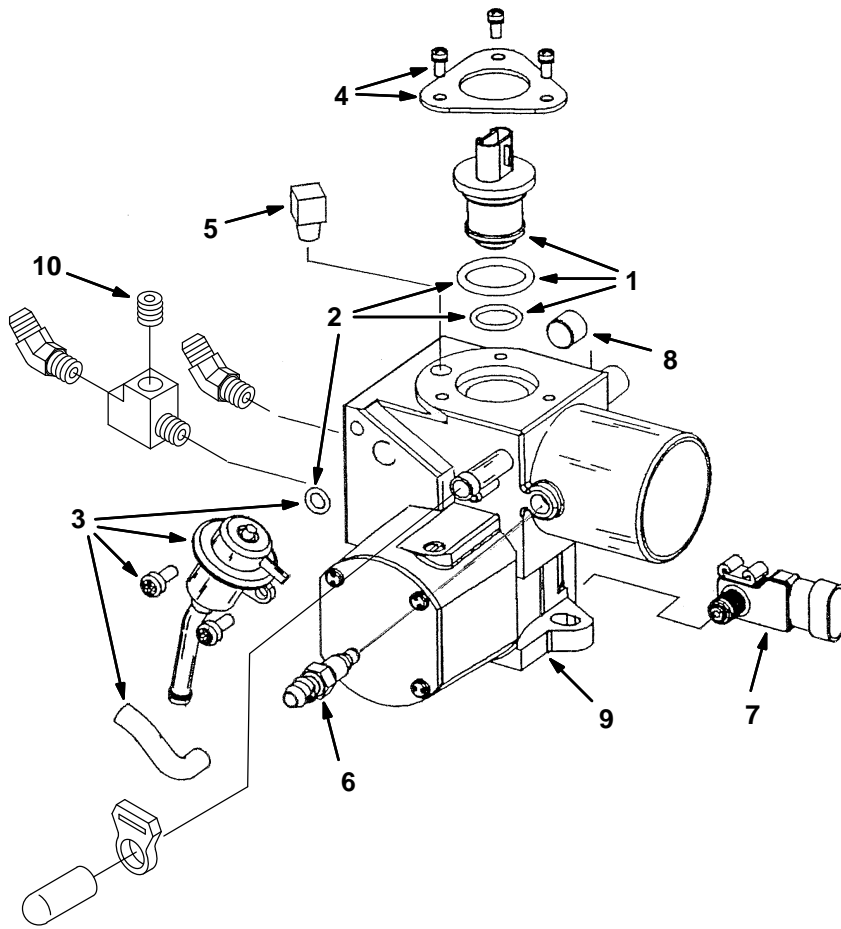


Fig. 43 – Gasoline Electronic Fuel Ignition Breakdown, 371897

	Ref.	Part No.	Serial Number	Description	Qty.
▽		371897	(000000–) Housing Assy, Throttle, Gas, [Without Ecu]	1
▲▽	1	371899	(000000–) Injector, Gas, W/ Top And Bottom Org	1
▲▲	2	371649	(000000–) Kit, Org, Injector And Reg, Gas	1
▲		371716	(000000–) Kit, Connector, Gas Injector	1
▲	3	371908	(000000–) Kit, Reg, Gas Press	1
▲	4	371651	(000000–) Plate, Injector Mtg, W/ Screw	1
▲	5	15555–2	(000000–) Fitting, Brs, E90, If05/Pm04	1
▲		371714	(000000–) Kit, Connector, Coolant Sensor	1
▲		371715	(000000–) Kit, Connector, Sensor, [lat]	1
▲	6	371653	(000000–) Sensor, Temp	1
▲	7	371654	(000000–) Sensor, Manifold Press	1
▲	8	371660	(000000–) Fitting, Coolant Plug	1
▲	9	371902	(000000–) Housing, Throttle, Gas	1
▲		371718	(000000–) Kit, Connector, Govnr	1
▲	10	10552	(000000–) Fitting, Pipe, Plug, Pm02 Soc Head	1

Fig. 44 – Hydraulic Solenoid Valve Breakdown, 1049210

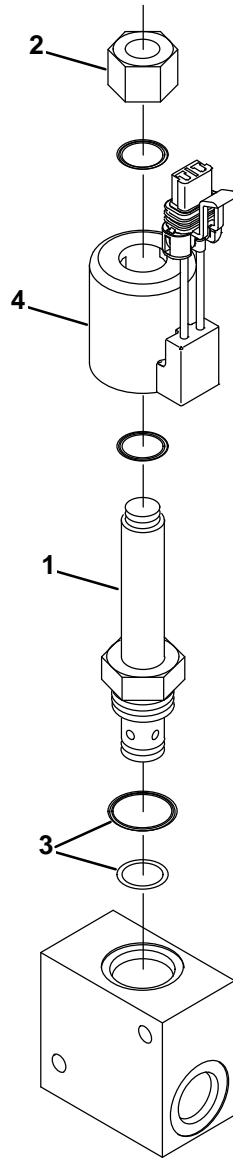


Fig. 44 – Hydraulic Solenoid Valve Breakdown, 1049210

	Ref.	Part No.	Serial Number	Description	Qty.
▽		1049210	(000000–)	Valve, Cntrl, Hyd, Solenoid, 12vdc 12gpm	1
▲	1	1050812	(000000–)	Stem, Valve, Hyd	1
▲	2	1050811	(000000–)	Nut, Valve, Cartridge	1
▲	3	1050780	(000000–)	Seal Kit, Cartridge	1
▲	4	1050809	(000000–)	Solenoid, Valve, Hyd, 36vdc	1

Fig. 45 – Hydraulic Solenoid Valve Breakdown, 1049209

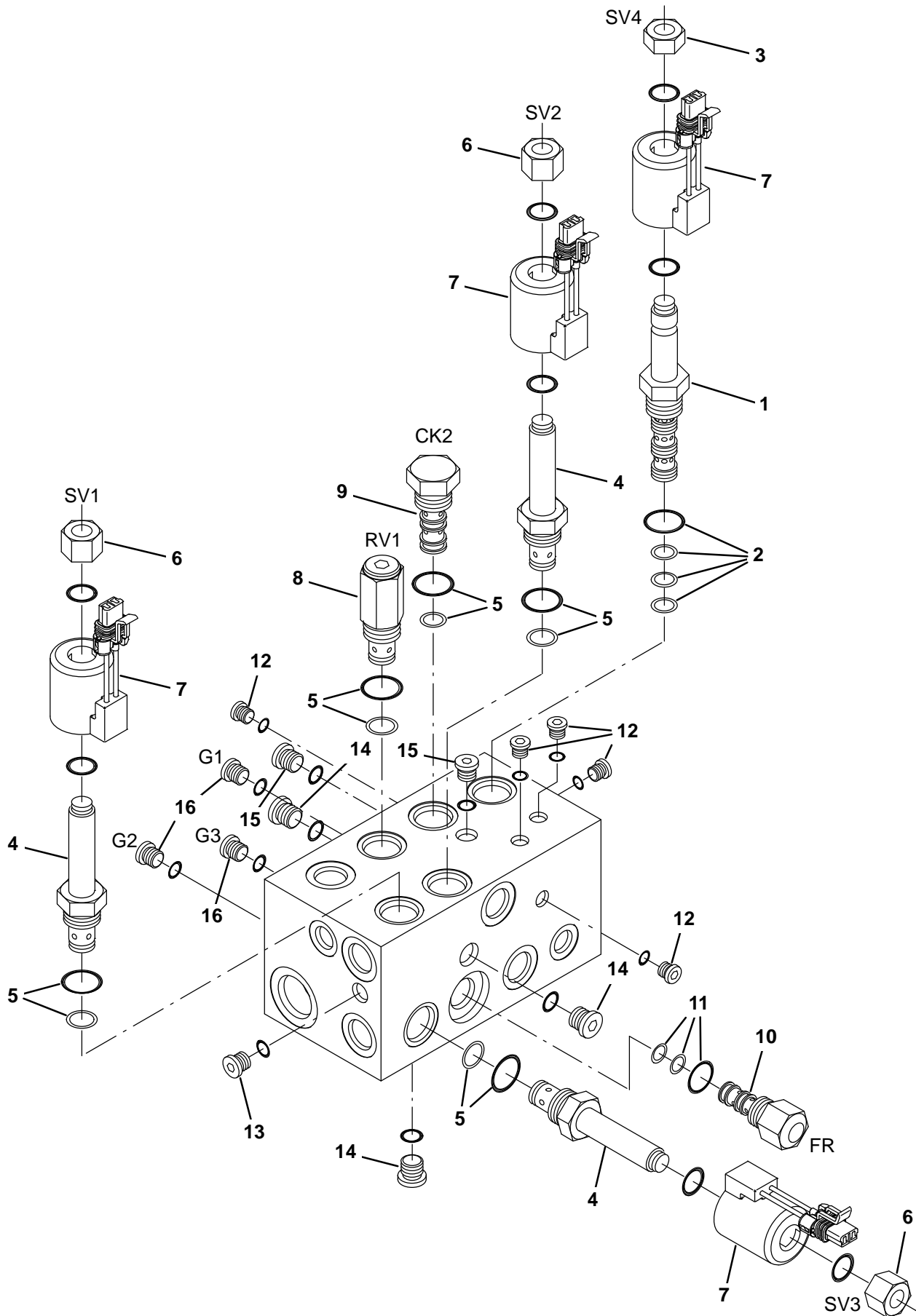
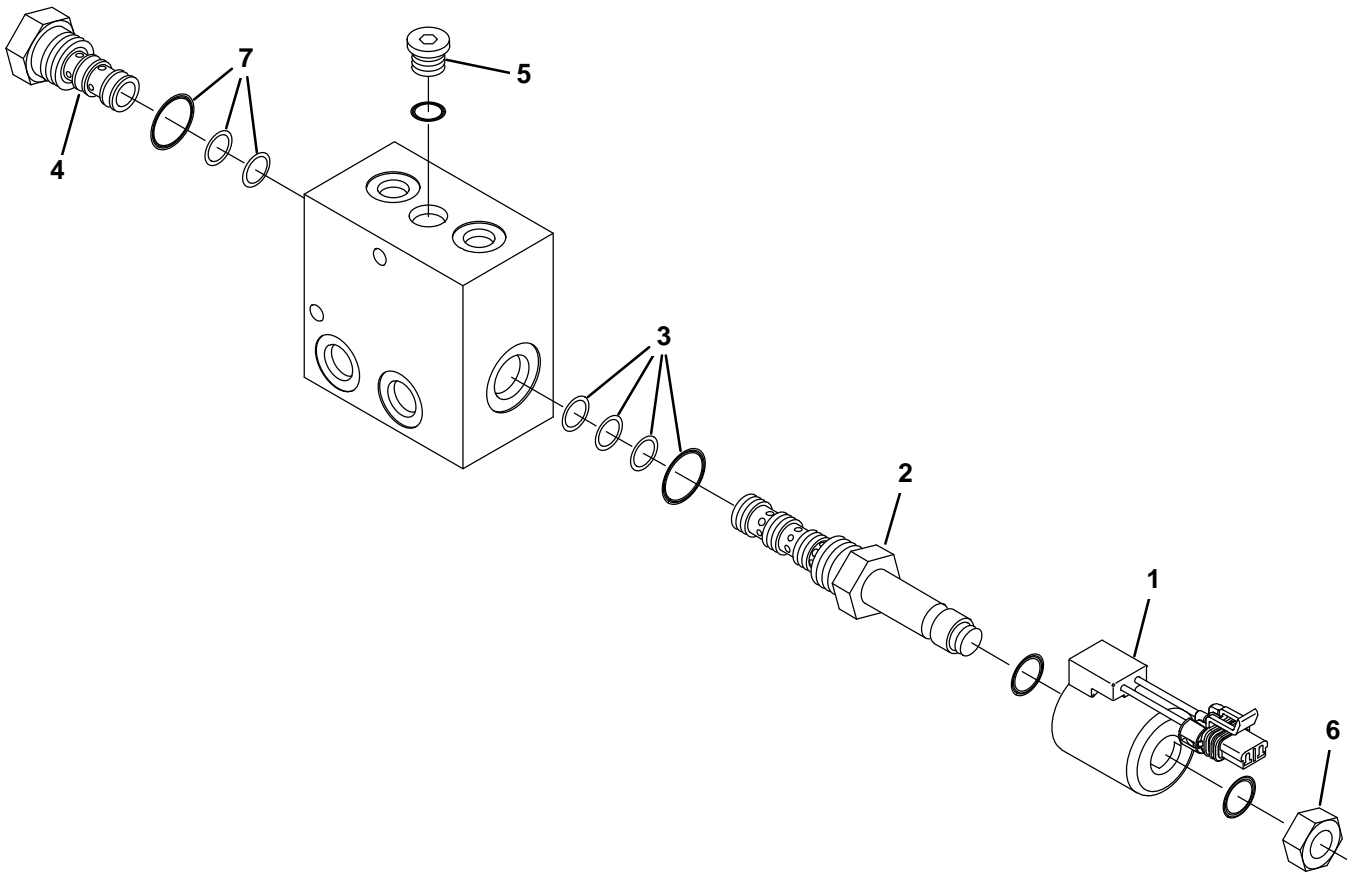


Fig. 45 – Hydraulic Solenoid Valve Breakdown, 1049209

	Ref.	Part No.	Serial Number	Description	Qty.
▽		1049209	(000000–) Valve, Cntrl, Hyd, Solenoid, 12vdc 08gpm	1
▲	1	1050861	(000000–) Solenoid, Valve, Hyd	1
▲	2	1050870	(000000–) Seal Kit, Cartridge	1
▲	3	373584	(000000–) Nut, Valve, Cartridge	1
▲	4	1050812	(000000–) Stem, Valve, Hyd	3
▲	5	1050780	(000000–) Seal Kit, Cartridge	1
▲	6	373585	(000000–) Nut, Valve, Cartridge	3
▲	7	1050809	(000000–) Solenoid, Valve, Hyd, 36vdc	4
▲	8	1050862	(000000–) Valve, Cartridge, Relief	1
▲	9	1050863	(000000–) Valve, Cartridge, Check	1
▲	10	1050864	(000000–) Valve, Cartridge, Flow Reg	1
▲	11	1050871	(000000–) Seal Kit, Cartridge	1
▲	12	1050865	(000000–) Fitting, Plug, Om02, Valve	5
▲	13	1050866	(000000–) Fitting, Plug, Om04, Valve	1
▲	14	1050867	(000000–) Fitting, Plug, Om06, Valve	3
▲	15	1050868	(000000–) Fitting, Plug, Om05, Valve	2
▲	16	1050869	(000000–) Fitting, Plug, Om04, Valve	3

Fig. 46 – Hydraulic Solenoid Valve Breakdown, 1049211



354900 – ALL

Ref.	Part No.	Serial Number	Description	Qty.
▽	1049211	(000000–) Valve, Cntrl, Hyd, Solenoid, 12vdc 06gpm	1
▲	1	1050809	(000000–) Solenoid, Valve, Hyd, 36vdc	1
▲	2	1050861	(000000–) Solenoid, Valve, Hyd	1
▲	3	1050870	(000000–) Seal Kit, Cartridge	1
▲	4	1050872	(000000–) Valve, Cartridge, Check	1
▲	5	1050873	(000000–) Fitting, Plug, Om06, Valve	1
▲	6	1051078	(000000–) Nut, Valve, Cartridge	1
▲	7	1051079	(000000–) Seal Kit, Cartridge	1

SECTION 5

Contents	Page
Fig. 1 – Engine Block Group	5-2
Fig. 2 – Gaskets Group	5-4
Fig. 3 – Cylinder Head Group	5-6
Fig. 4 – Cylinder Front Cover Group	5-7
Fig. 5 – Starter Breakdown	5-8
Fig. 6 – Oil Pan Group	5-10
Fig. 7 – Crankshaft Group	5-12
Fig. 8 – Manifolds Group	5-14
Fig. 9 – Flywheel Group	5-16
Fig. 10 – Camshaft And Sprocket Group	5-18
Fig. 11 – Valve And Rocker Arm Cover Group ..	5-20
Fig. 12 – Piston And Connecting Rod Group ...	5-22
Fig. 13 – Water Pump, Thermostat and Fan Group	5-23
Fig. 14 – Ignition Group	5-24

2.3L ENGINE BREAKDOWN

Fig. 1 - Engine Block Group

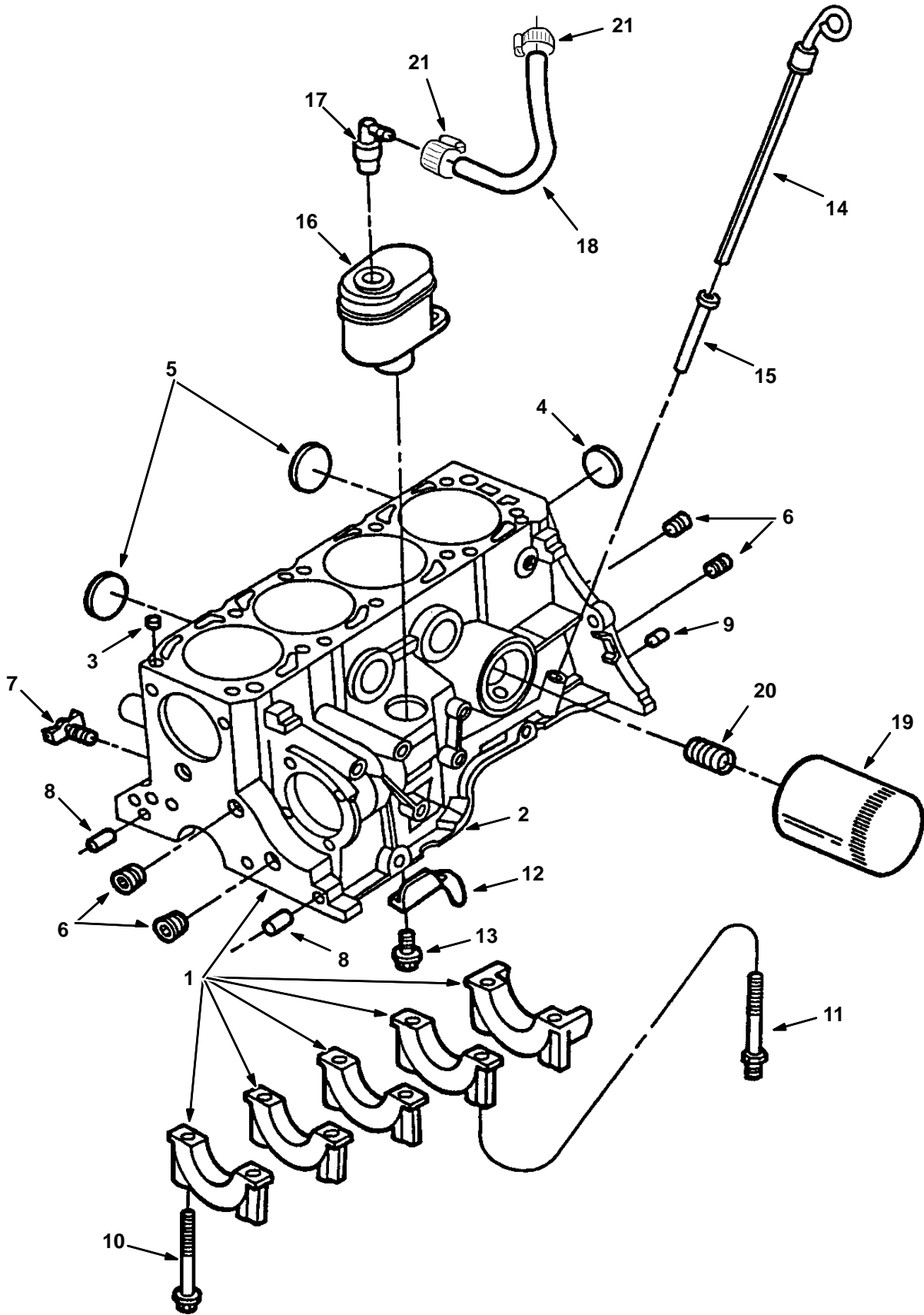


Fig. 1 – Engine Block Group

Ref.	Part No.	Description	Qty.
	1 84875	Cyl Block Assy (Short Block Assy)	1
▽	2 84876	Block Assy	1
▲	3 73958	Dowel	2
▲	4 73921	Plug–Std 2.078	1
▲	4 73920	Plug .06 O/S	–
▲	5 84877	Plug, 1.50 Cup	4
▲	6 73917	Plug 3/8 Npt	5
▲	6 36268	Plug 1/4 Npt	2
▲	7 54911–32	Draincock,End.Block	1
▲	8 84878	Dowel,Frnt Cover	2
▲	9 73975	Dowel	2
▲	10 73950	Bolt M12	9
▲	11 74516	Stud M12	1
▲	12 84879	Baffle	1
	13 84880	Bolt, M6X16.5mm	2
	14 10723	Indicator,Oil	1
	15 10724	Short Tube	1
	16 84882	Separator	1
	17 84883	Pcv Vlv Asy	1
	18 84884	Hose	1
	19 39703–2	Filter Element, Oil	1
	20 84962	Insert–Oilfilt	1
	21 54333	Clamp, Hose, Wormdrive	2

2.3L ENGINE BREAKDOWN

Fig. 2 - Gaskets Group

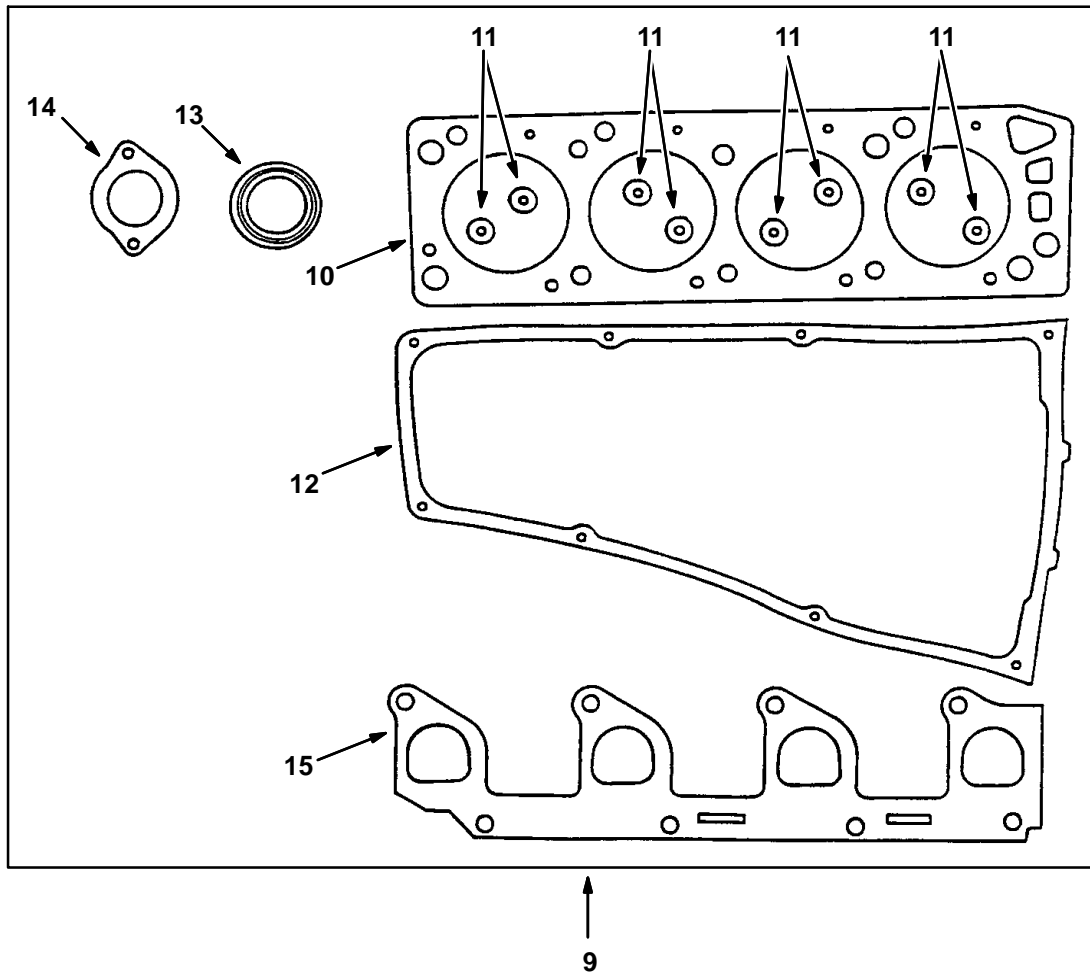
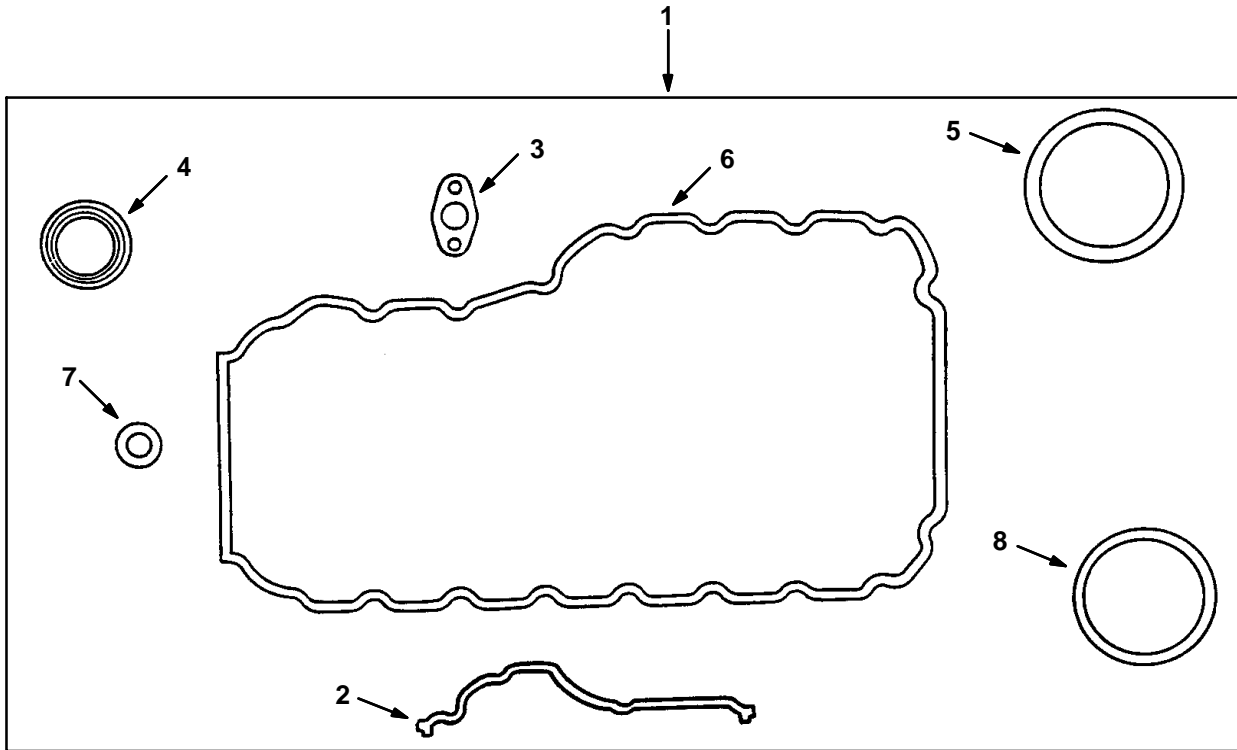
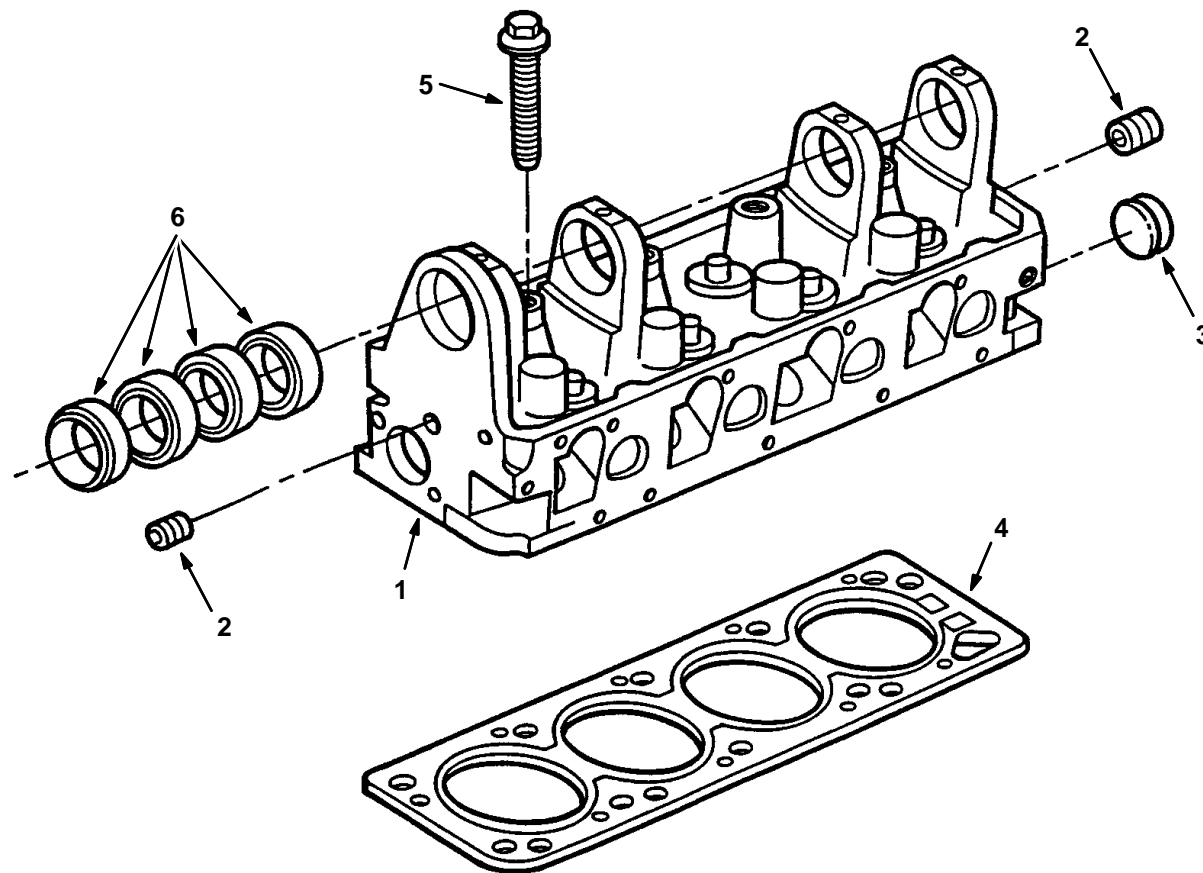


Fig. 2 – Gaskets Group

	Ref.	Part No.	Description	Qty.
▽	1	84885	Gskt Kit,Lower	1
▲	2	84886	Gskt,Frnt Cvr	1
▲	3	84887	Gskt,Pmp/Putube	1
▲	4	60833	Oil Seal, Front	1
▲	5	84888	Seal, Rear	1
▲	6	84889	Gasket,Oil Pan	1
▲	7	37157	Gasket Oil	1
▲	8	84983	Gskt,Water Pump	1
▽	9	84891	Gskt Kit,Upper	1
▲	10	60806	Gasket, Head	1
▲	11	84892	Seal,Valve Stem	8
▲	12	84893	Gskt,Rockr Cvr	1
▲	13	60833	Oil Seal, Front	1
▲	14	74538	Gskt-Waterout	1
▲	15	84894	Gskt,In.Manfld	1

2.3L ENGINE BREAKDOWN

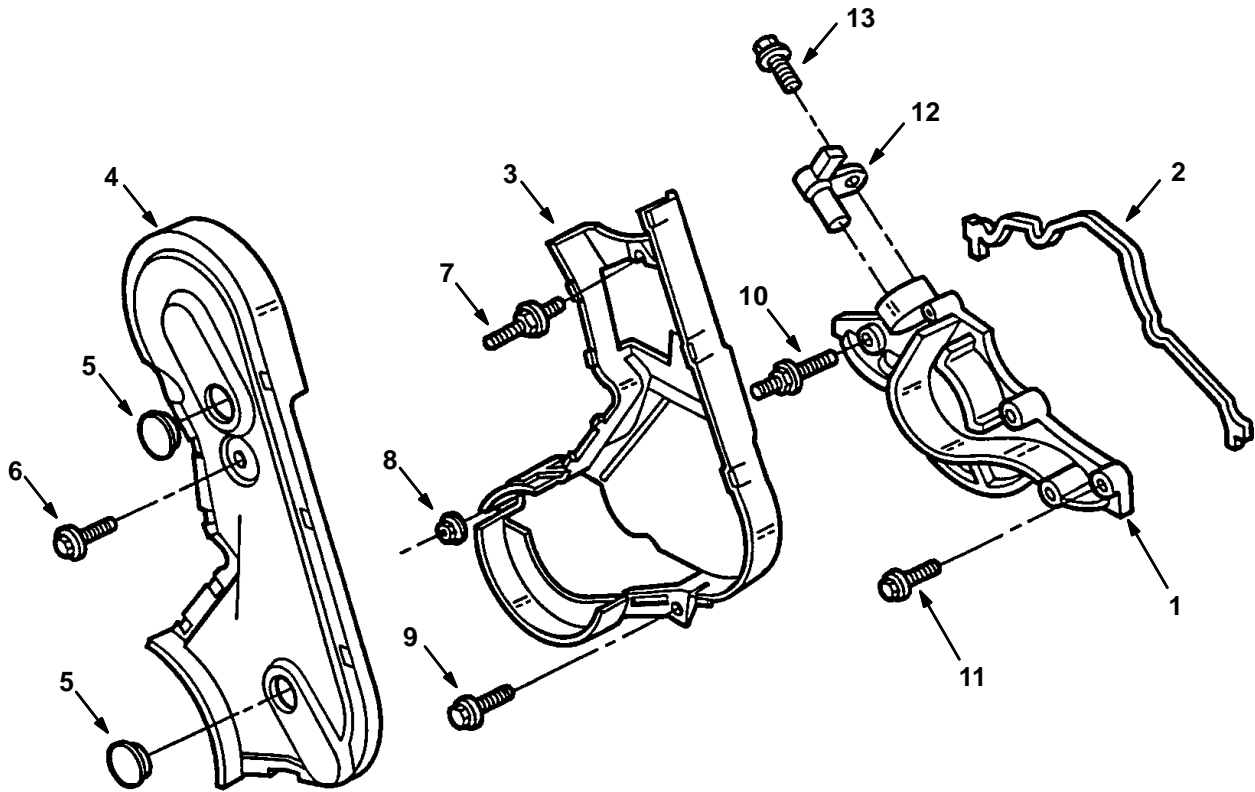
Fig. 3 – Cylinder Head Group



10445 – 800L, 8410, G, LP

Ref.	Part No.	Description	Qty.
1	84907	Head–W/O Valves	1
2	36268	Plug 1/4 Npt	2
3	84910	Plug,1.50 Cup	1
4	60806	Gasket, Head	1
5	73927	Bolt M12	10
6	60817	Bearing Cam,	4
6	73936	Bearing, .016 Camshaft	–

Fig. 4 – Cylinder Front Cover Group



10446 – 800L, 8410, G, LP

Ref.	Part No.	Description	Qty.
1	84895	Lower Cover	1
2	84896	Gskt,Front Cvr	1
3	84897	Inner Cover	1
4	84898	Outer Cover	1
5	74536	Plug	2
6	84899	Bolt, M8 X 17 Schd	1
7	84900	Stud,M8X51.0mm	1
8	84901	Nut, M6	1
9	84902	Scr&Wsh,M6X22.5	1
10	84903	Stud,M6X61.8mm	1
11	84904	Bolt,M6X37.5mm	3
12	84905	Sensor,Crnksft	1
13	84906	Screw,M6X22.5mm	1

2.3L ENGINE BREAKDOWN

Fig. 5 - Starter Breakdown

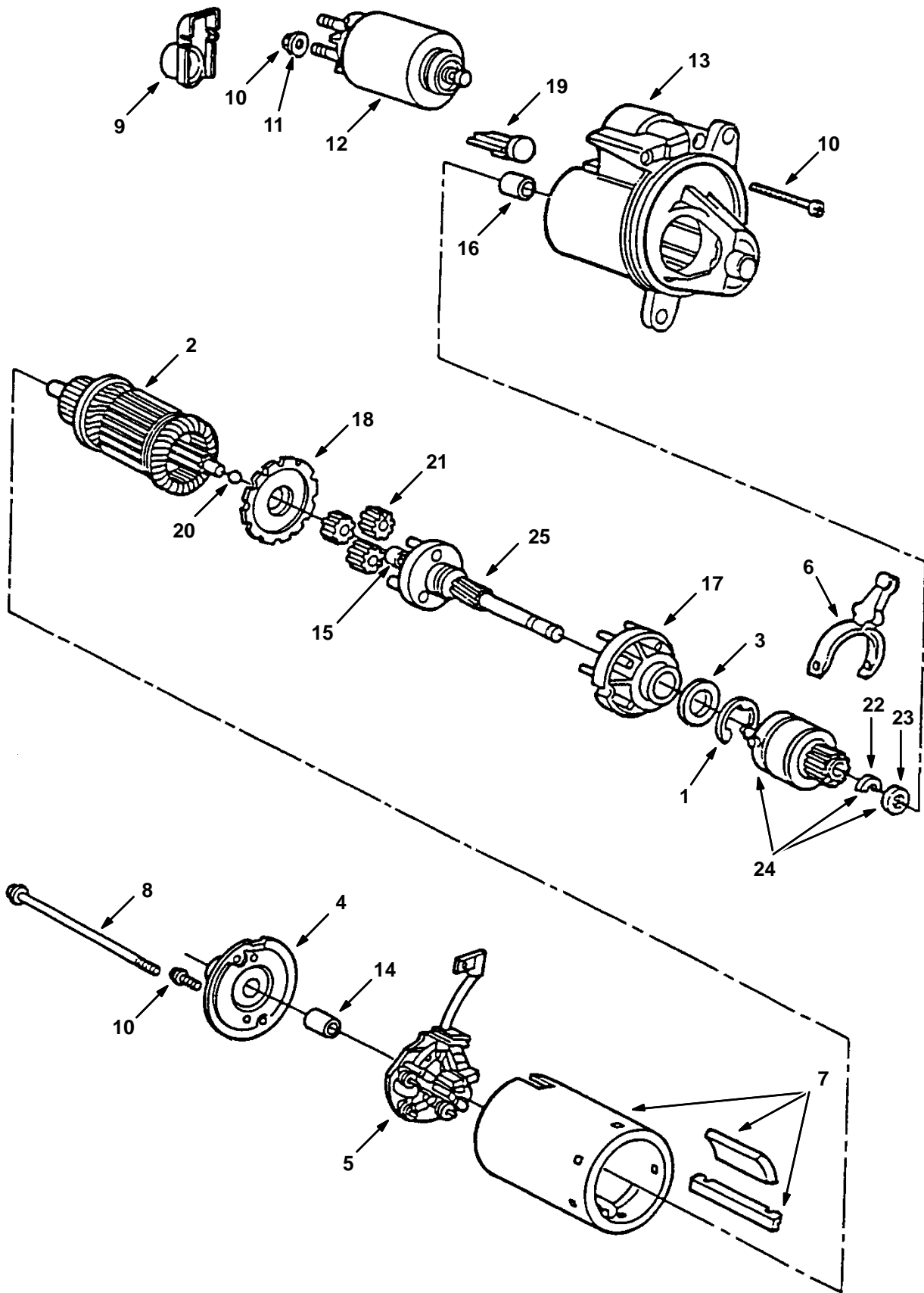


Fig. 5 – Starter Breakdown

	Ref.	Part No.	Description	Qty.
▽		60938	Motor, Starting, Perm Mag, 12V	1
▲	1	79640	Retaining Ring	1
▲	2	84999	Armature	1
▲	3	79956	Washer	1
▲	4	79628	Plate & Brg	1
▲	5	79629	Brush Holder	1
▲	6	79630	Lever	1
▲	7	79631	Frame&Mag.As	1
▲	8	79632	Bolt–Thru	2
▲	9	79970	Term.Cover	1
▲▽	10	79633	Kit–Attaching	1
▲▲	11	79957	Nut&Washer,M8	1
▲	12	370829	Solenoid	1
▲	13	79634	Hsg W/Brg	1
▲	14	79635	Bearing	1
▲	15	79960	Planet Bearing	3
▲	16	79961	Bearing	1
▲	17	79962	Statnry Gear	1
▲	18	79963	Retnr.Gear	1
▲	19	79964	Seal	1
▲	20	79965	Arm.Thr.Ball	1
▲	21	79966	Gear Assy	3
▲	22	79636	Ring–Drv.Stop	1
▲	23	79967	Retainer	1
▲	24	79638	Drive Assy	1
▲	25	79969	Shft Asy,Output	1

2.3L ENGINE BREAKDOWN

Fig. 6 – Oil Pan Group

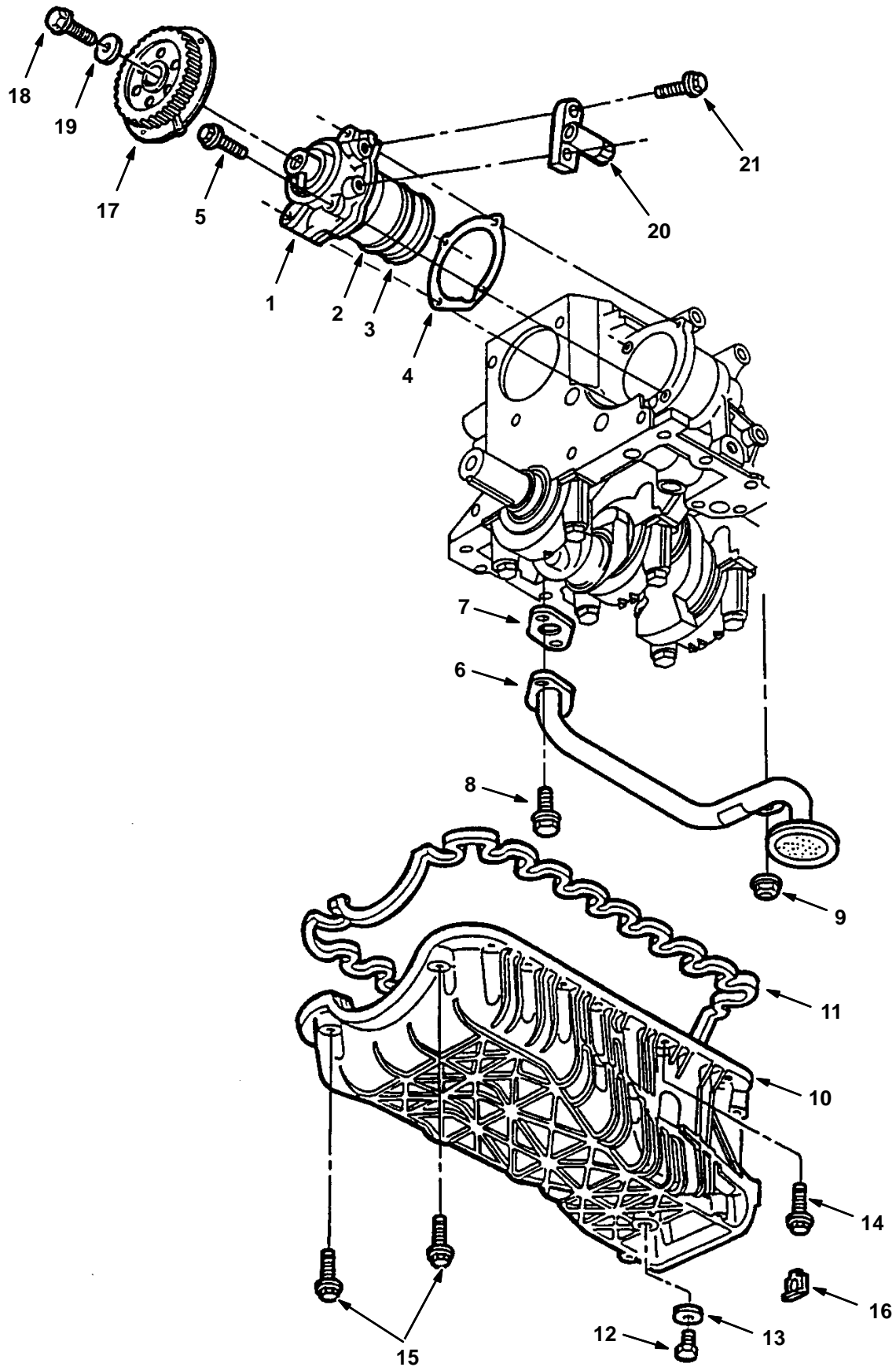


Fig. 6 – Oil Pan Group

Ref.	Part No.	Description	Qty.
1	84963	Oil Pump	1
2	84964	O-Ring,2.375	1
3	84965	O-Ring-2.250	1
4	84966	Gskt,Oilpmp/Blk	1
5	84967	Bolt,M6X47.5mm	4
6	84968	Oil Pickup Tube	1
7	84969	Gskt,Pu Tube	1
8	84970	Bolt,M8X20.0mm	2
9	84971	Nut,M10	1
10	84972	Oil Pan Assy	1
11	84889	Gasket,Oil Pan	1
12	37127	Oil Plug	1
13	37157	Gasket Oil	1
14	84973	Bolt,M6X27.5mm	16
15	84974	Bolt,M6X52.5mm	2
16	84975	Oil Pan Spacer	-
16	84976	Oil Pan Spacer	-
16	84977	Oil Pan Spacer	-
17	84978	Oil Pmp Sprkt	1
18	84979	Bolt,M10X40.0mm	1
19	74561	Washer	1
20	84980	Camsft.Sensor	1
21	84981	Bolt,M5X20.0M	2

2.3L ENGINE BREAKDOWN

Fig. 7 – Crankshaft Group

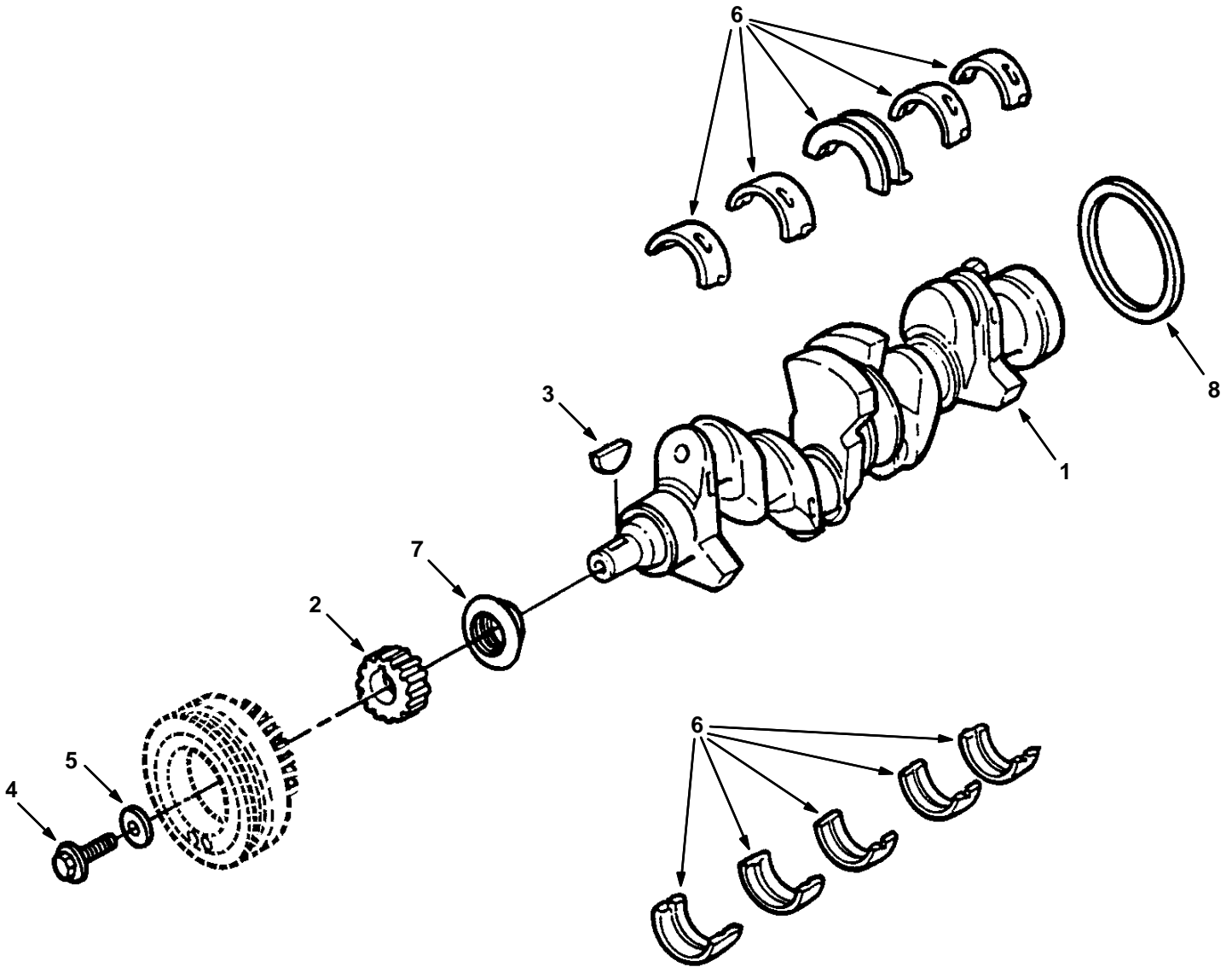


Fig. 7 – Crankshaft Group

Ref.	Part No.	Description	Qty.
1	84923	Crankshaft Asy	1
2	84924	Crnksft Sprckt	1
3	84925	Crnkshaft Key	1
4	84926	Bolt,M14X55.0M	1
5	84927	Wash M15 1.53Od	1
6	1051175	Bearing Kit, Cshft, Std[F2.3/2.5I]	4
6	1051167	Bearing Kit, Cshft, .040[F2.3/2.5I]	–
6	1051174	Bearing Kit, Cshft, .010[F2.3/2.5I]	–
6	1051173	Bearing Kit, Cshft, .020[F2.3/2.5I]	–
6	1051172	Bearing Kit, Cshft, .030[F2.3/2.5I]	–
7	60833	Oil Seal, Front	1
8	84947	Crnksft Seal–Rear	1

2.3L ENGINE BREAKDOWN

Fig. 8 – Manifolds Group

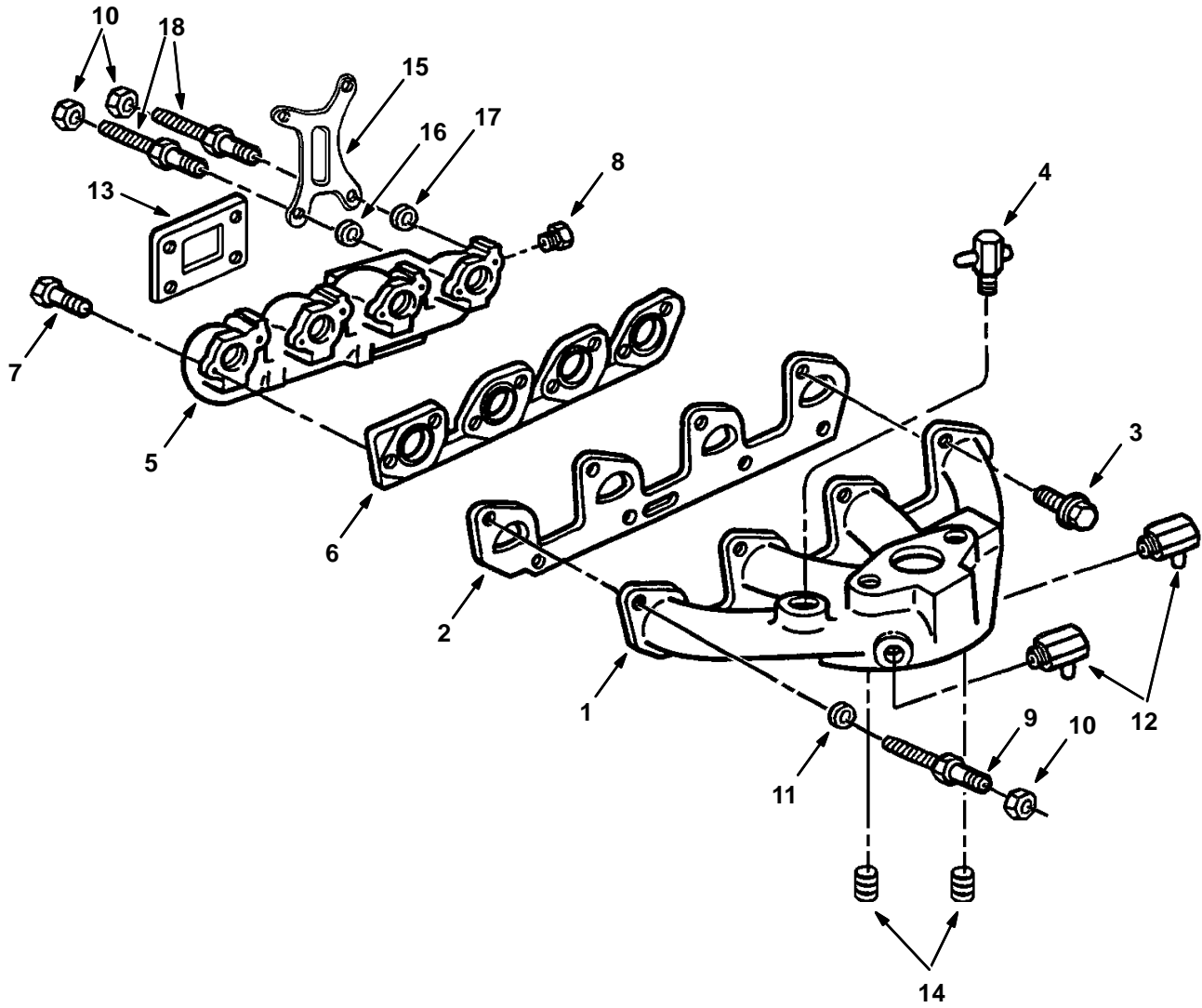


Fig. 8 – Manifolds Group

Ref.	Part No.	Description	Qty.
1	84990	Int.Manifold	1
2	84991	Gskt,Int.Mnfld	1
3	84992	Bolt,M8X25.0mm	7
4	74527	Vac.Fitting	1
5	74509	Exh.Manifold	1
6	84995	Gskt,Exh.Mnfld	1
7	84996	Bolt,M10X55.0M	6
8	84997	Plug, 1/2Npt	1
9	79972	Stud	1
10	79973	Nut M8-1.25	3
11	79974	Spacer	1
12	84985	Elbow,90 deg	2
13	36048	Gasket, Exh. Flange	1
14	73917	Plug 3/8 NPT	2
15	79976	Lifting Eye	1
16	21792	Spacer	1
17	21793	Spacer	1
18	21794	Stud	2

Fig. 9 – Flywheel Group

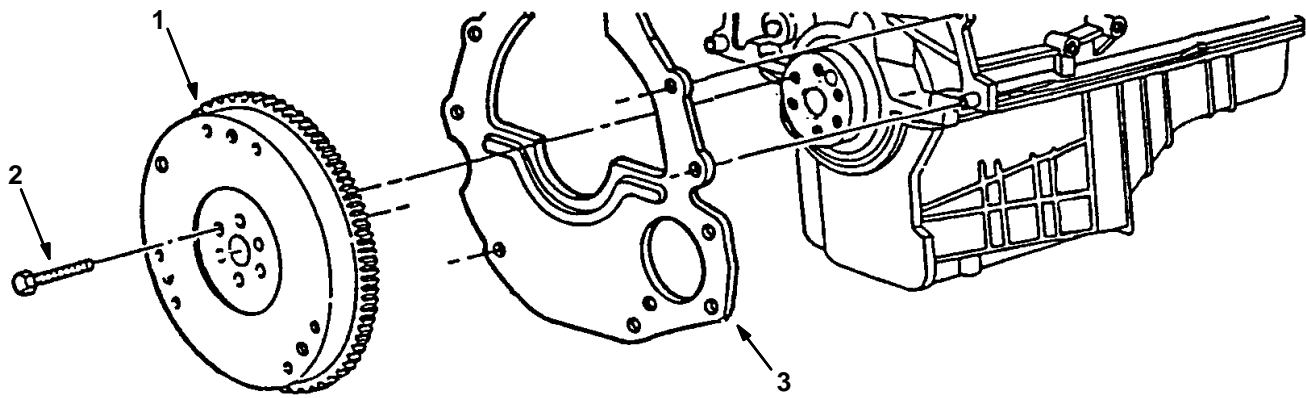


Fig. 9 – Flywheel Group

Ref.	Part No.	Description	Qty.
1	370103	Replm Kit, Flywheel	1
	370102	Flywheel	1
	84659	Flywheel Ring Gear	1
2	64038	Bolt	12
3	83669	Rear Plate	12

2.3L ENGINE BREAKDOWN

Fig. 10 – Camshaft And Sprocket Group

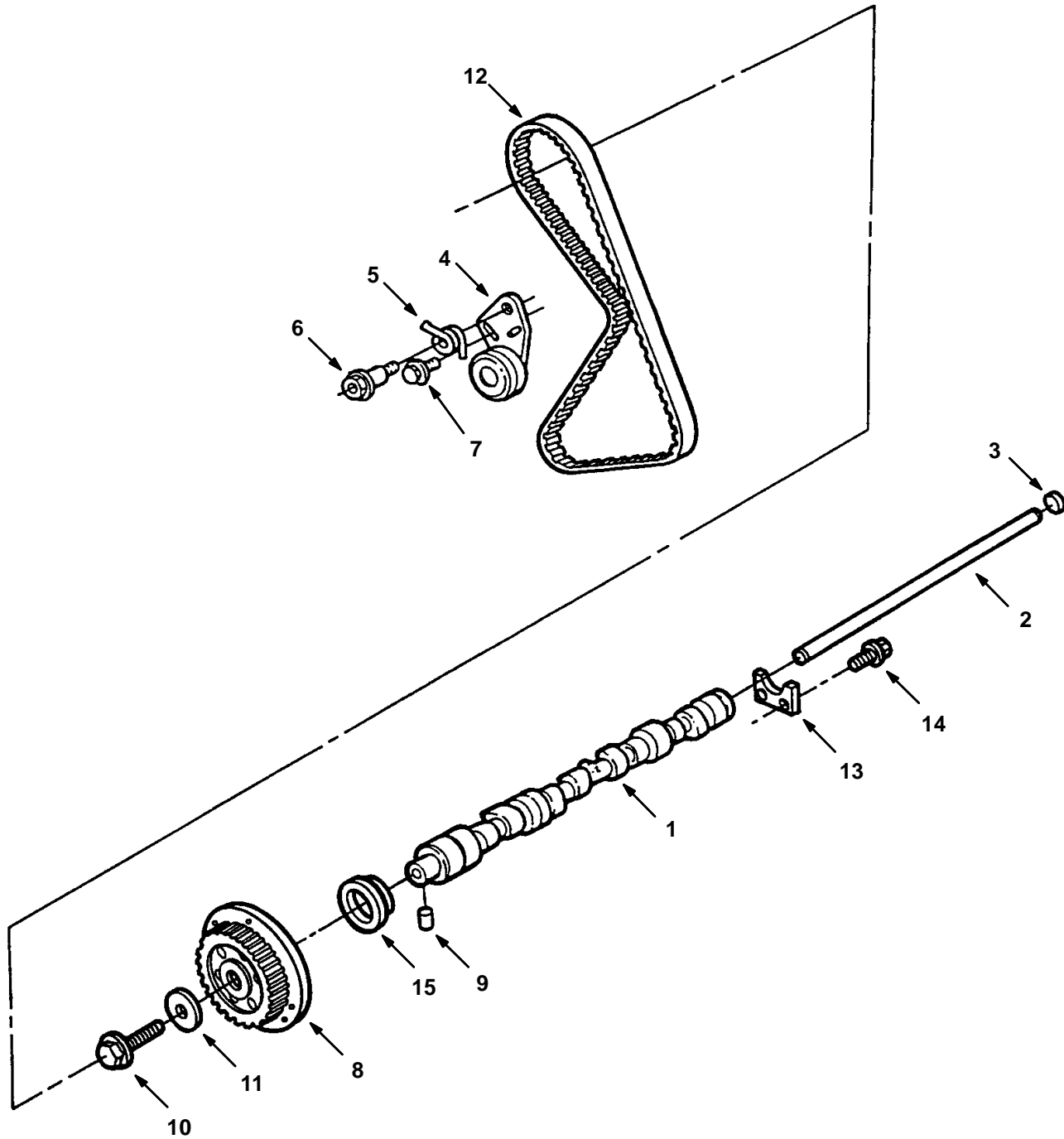


Fig. 10 – Camshaft And Sprocket Group

Ref.	Part No.	Description	Qty.
1	84915	Camshaft	1
2	84916	Rod	1
3	84917	Plug	1
4	73967	Tensioner, Arm	1
5	73970	Spring, Tension	1
6	84919	Bolt, Tens. Sprn	1
7	74552	Bolt	1
8	84978	Camshft Sprckt	1
9	84921	Pin, 1/4X.32	1
10	74545	Bolt M12X45	1
11	73937	Washer	1
12	84936	Timing Belt	1
13	73954	Plate	1
14	74548	Scr&Wash M6	2
15	60833	Oil Seal, Front	1

2.3L ENGINE BREAKDOWN

Fig. 11 – Valve And Rocker Arm Cover Group

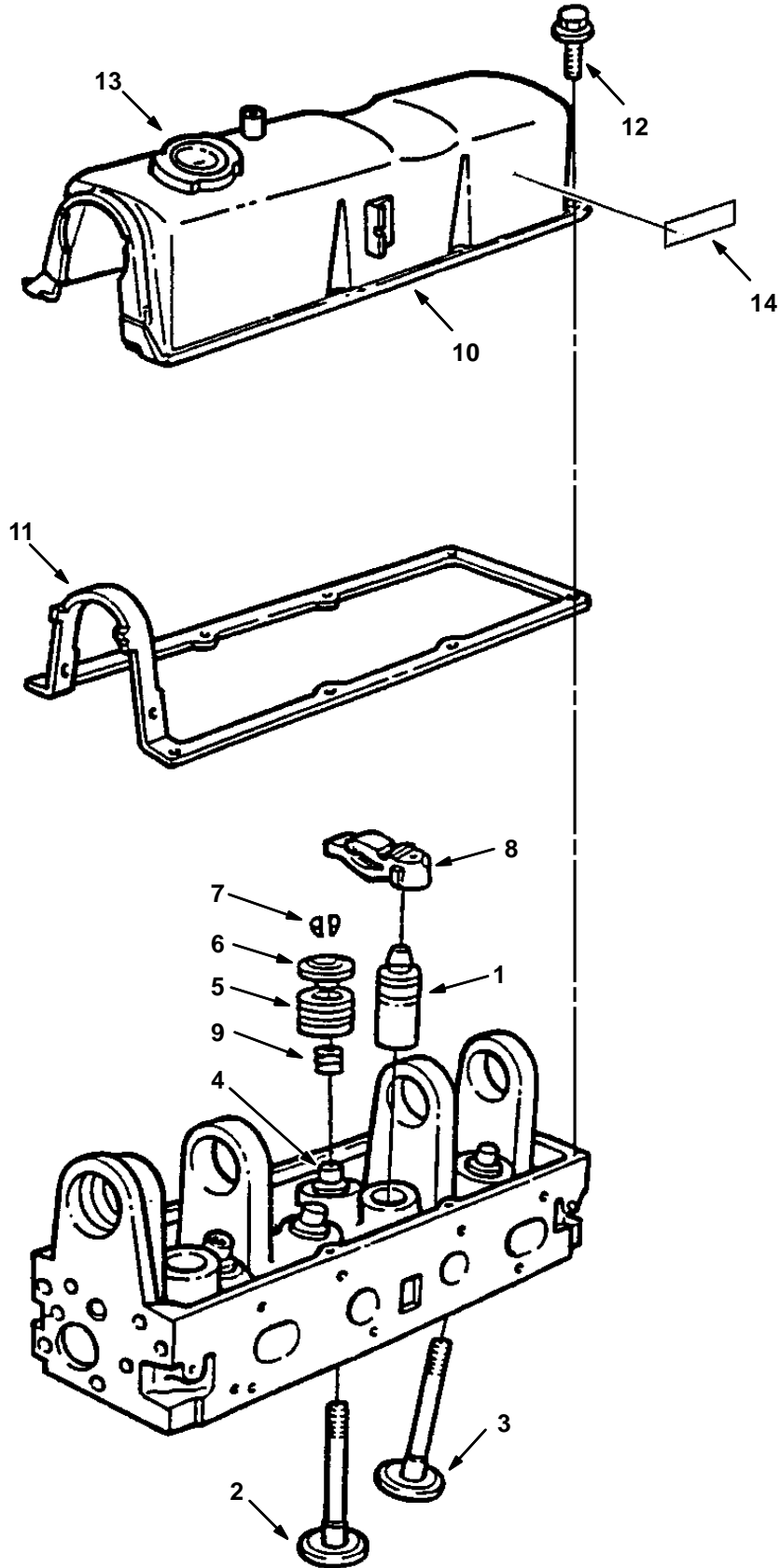
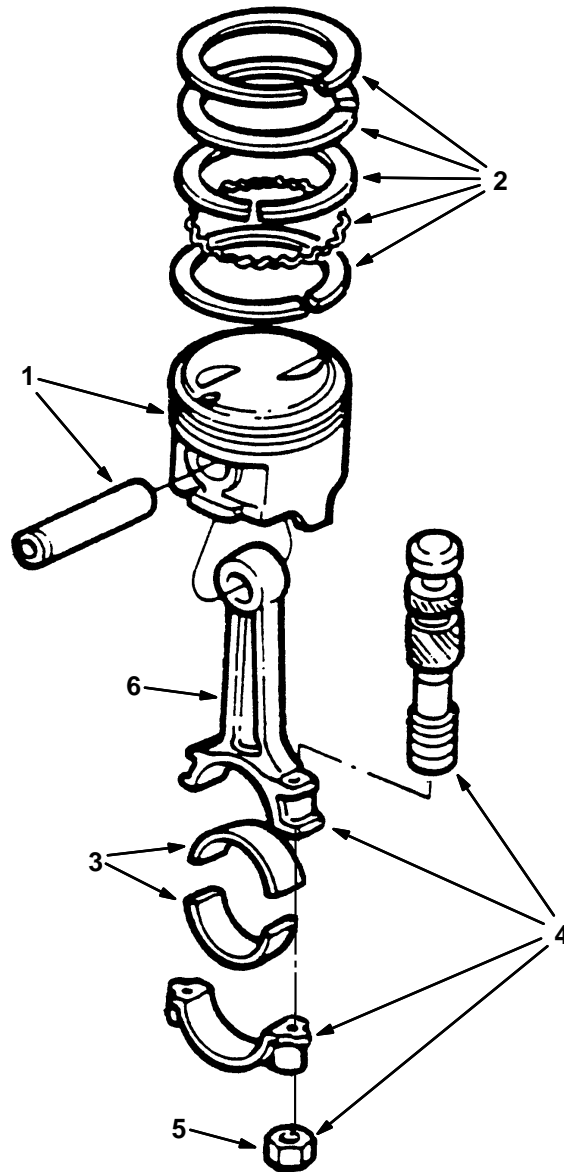


Fig. 11 – Valves And Rocker Arm Cover Group

Ref.	Part No.	Description	Qty.
1	84950	Tap.Assy-Valve	8
2	84951	Std.Exh.Valve	4
3	84952	Std.Int.Valve	4
4	84953	Valve Guide Bushing	–
5	84954	Valve Spring	8
6	84955	Valve Spring Retainer	8
7	84956	Valve Spring Key	16
8	84957	Valve Rocker Arm	8
9	84958	Valve Stem Seal	8
10	370876	Valve Rocker Arm Cover	1
11	73995	Gasket,Rocker Cover	1
12	84961	Scr&Wsh,M6X15.0M	8
13	60836	Breather Cap	1
14	36164	Warning Label, Starter	1

2.3L ENGINE BREAKDOWN

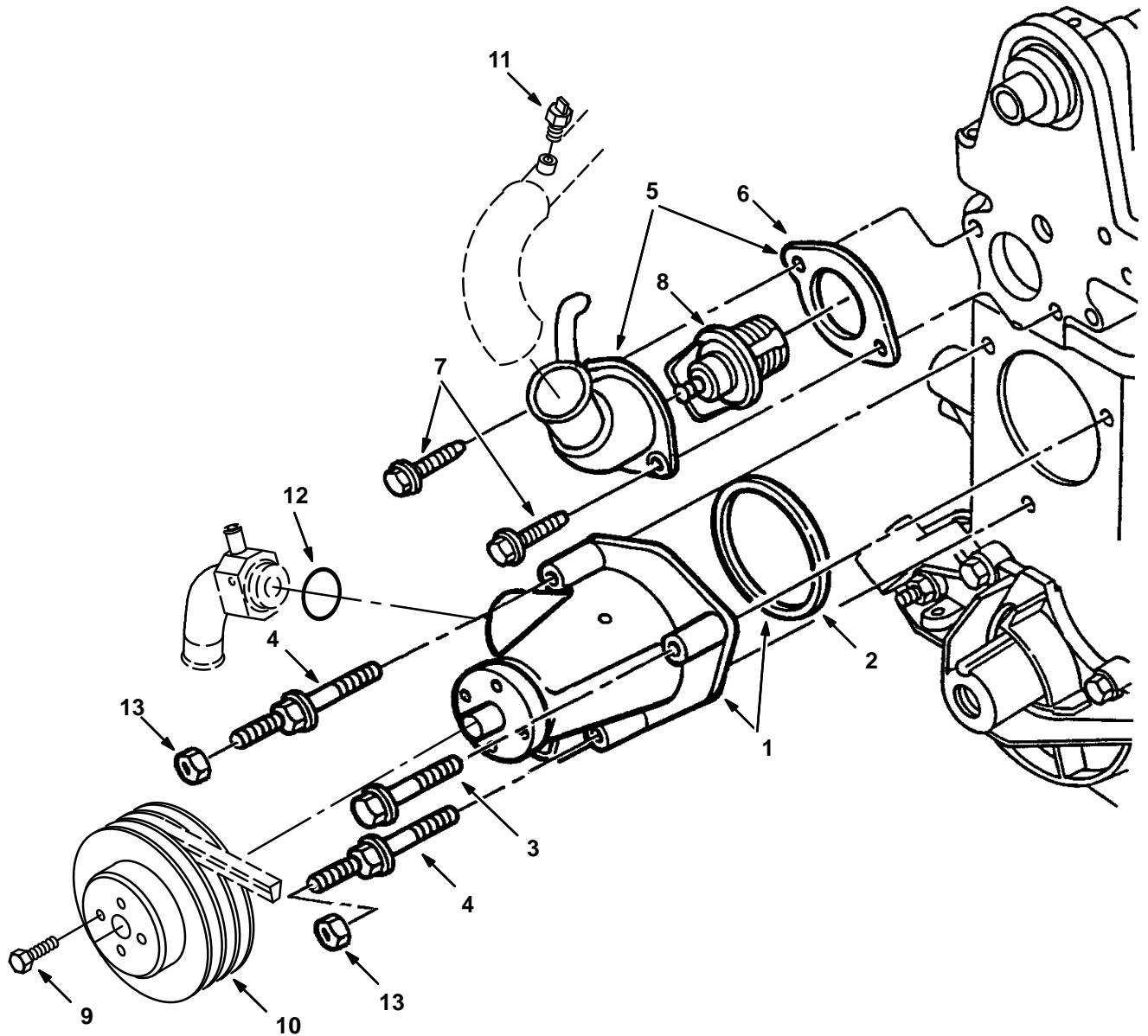
Fig. 12 – Piston And Connecting Rod Group



10447 – 800L, 8410, G, LP

Ref.	Part No.	Description	Qty.	
1	84911	Piston, Std.	4	
2	84913	Ring Set,Std.	2	
3	60812	Bearing	8	
3	73977	Brg-Conn.Rod	-	
3	73978	Brg-Conn.Rod	-	
3	73979	Brg-Conn.Rod	-	
3	73980	Brg-Conn.Rod	-	
3	73981	Brg-Conn.Rod	-	
3	73982	Brg-Conn.Rod	-	
▽	4	84914	Connecting Rd	4
▲	5	60813	Nut, Conrod-8	8
▲	6	60814	Bolt-Conrod-4	8

Fig. 13 – Water Pump, Thermostat and Fan Group

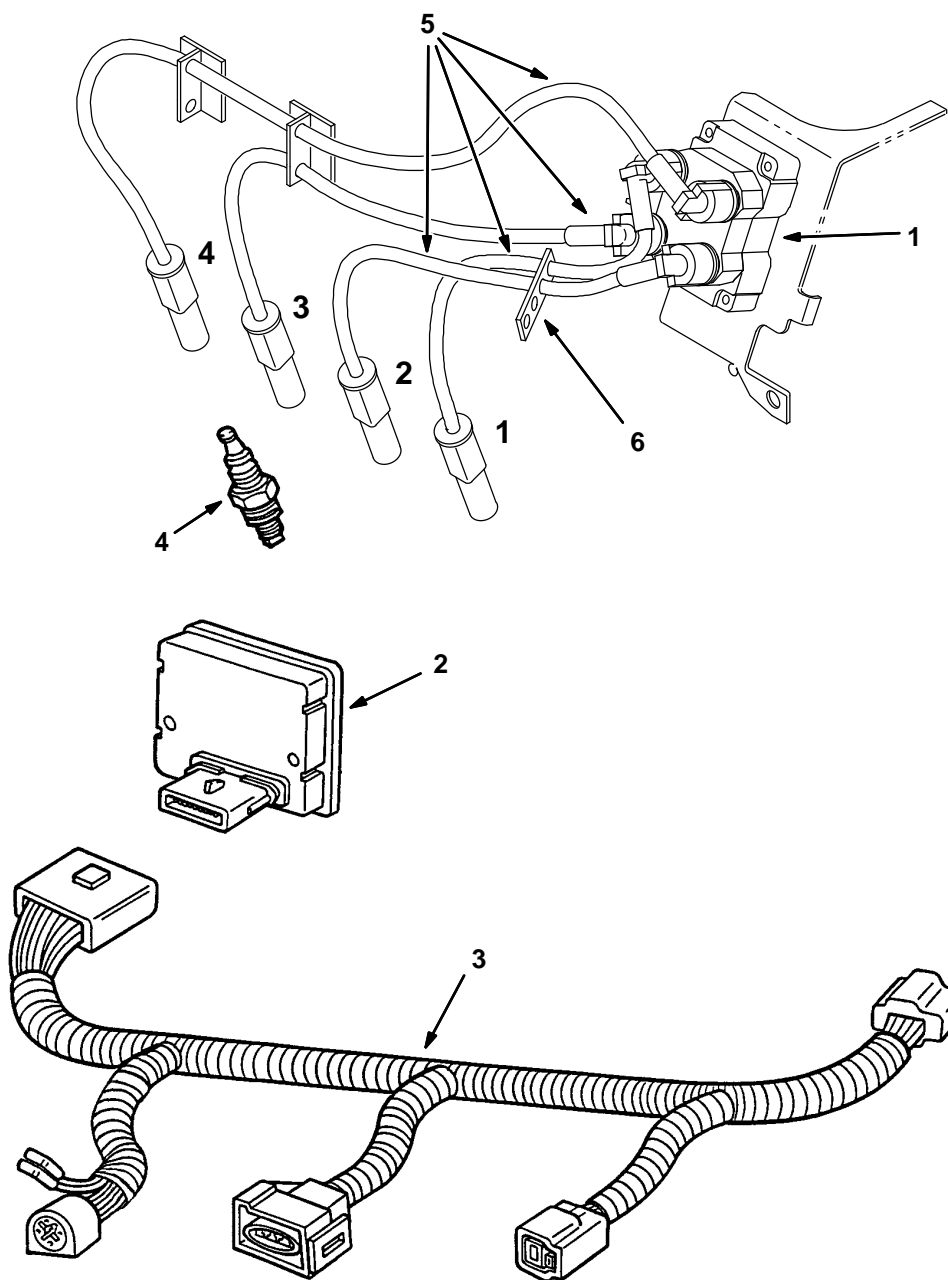


10528 – 800L, 8410, G, LP

Ref.	Part No.	Description	Qty.	
▽	1	84982	Water Pump	1
▲	2	84983	Gskt,Water Pump	1
	3	84984	Bolt,M8X53.0mm	1
	4	84998	Stud	2
▽	5	73996	Water Outlet	1
▲	6	74538	Gasket Water Outlet Connection	1
	7	84988	Bolt,M8X18.0M	2
	8	84987	Therm 190 W/Gsk	1
	9	84994	Bolt, M8X12.0mm	1
	10	36014	Sheave, Water Pump	1
	11	84989	Temperature sensor	1
	12	79975	O-Ring, Water Pump Adaptor	1
	13	84993	Locknut	2

2.3L ENGINE BREAKDOWN

Fig. 14 – Ignition Group



10524-350562- 800L, 8410, G, LP

Ref.	Part No.	Description	Qty.
1	83732	Ignition Coil	1
2	9003676	Module Kit, Ignition, Replmt [Ford 2.3I]	1
3	83707	Wire Harness	1
4	60846	Spark Plug	4
5	83677	Wire Asy,Spark Plug	1
6	84882	Separator	1

SECTION 6

Contents	Page
Fig. 1 – Engine Block Group	6-2
Fig. 2 – Gaskets Group	6-4
Fig. 3 – Cylinder Head Group	6-6
Fig. 4 – Cylinder Front Cover Group	6-7
Fig. 5 – Starter Breakdown	6-8
Fig. 6 – Oil Pan Group	6-10
Fig. 7 – Crankshaft Group	6-12
Fig. 8 – Manifolds Group	6-14
Fig. 9 – Flywheel Group	6-16
Fig. 10 – Camshaft And Sprocket Group	6-18
Fig. 11 – Valve And Rocker Arm Cover Group ..	6-20
Fig. 12 – Piston And Connecting Rod Group ...	6-22
Fig. 13 – Water Pump, Thermostat and Fan Group	6-23
Fig. 14 – Ignition Group	6-24

2.5L ENGINE BREAKDOWN

Fig. 1 - Engine Block Group

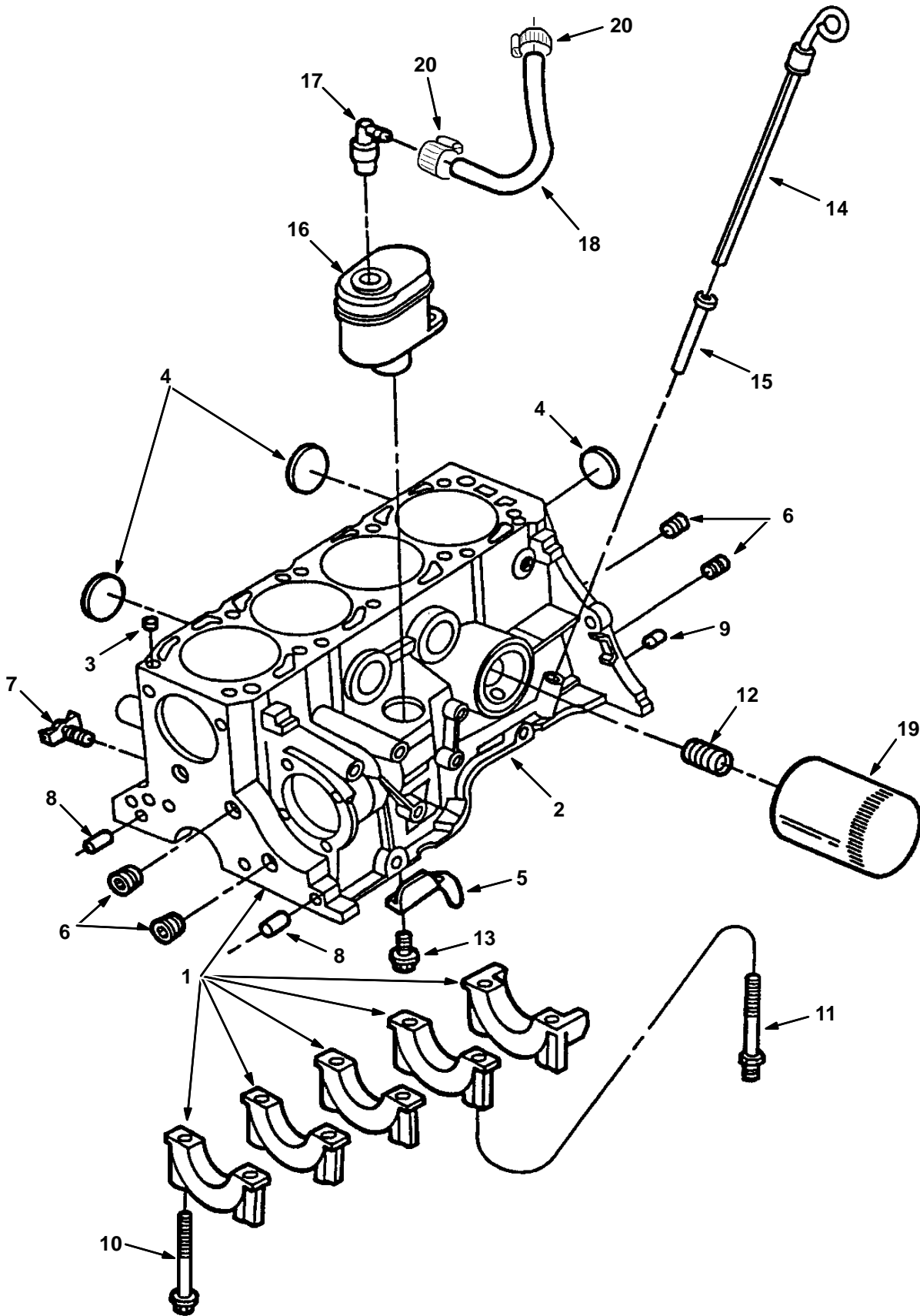


Fig. 1 – Engine Block Group

Ref.	Part No.	Description	Qty.
	1	370847 Cyl Block Assy (Short Block Assy)	1
▽	2	370848 Block Assy	1
▲	3	73958 Dowel	2
▲	4	73921 Plug–Std 2.078	5
▲	4	73920 Plug .06 O/S	–
▲	5	84879 Baffle	1
▲	6	73917 Plug 3/8 Npt	5
▲	6	36268 Plug 1/4 Npt	2
▲	7	54911–32 Draincock,End.Block	1
▲	8	84878 Dowel,Frnt Cover	2
▲	9	370873 Dowel	2
▲	10	73950 Bolt M12	9
▲	11	74516 Stud M12	1
	12	84962 Insert–Oilfilt	1
	13	84880 Bolt, M6X16.5mm	2
	14	370850 Indicator,Oil	1
	15	10724 Short Tube	1
	16	84882 Separator	1
	17	84883 Pcv Vlv Asy	1
	18	84884 Hose	1
	19	39703–2 Filter Element, Oil	1
	20	54333 Clamp, Hose, Wormdrive	2

2.5L ENGINE BREAKDOWN

Fig. 2 - Gaskets Group

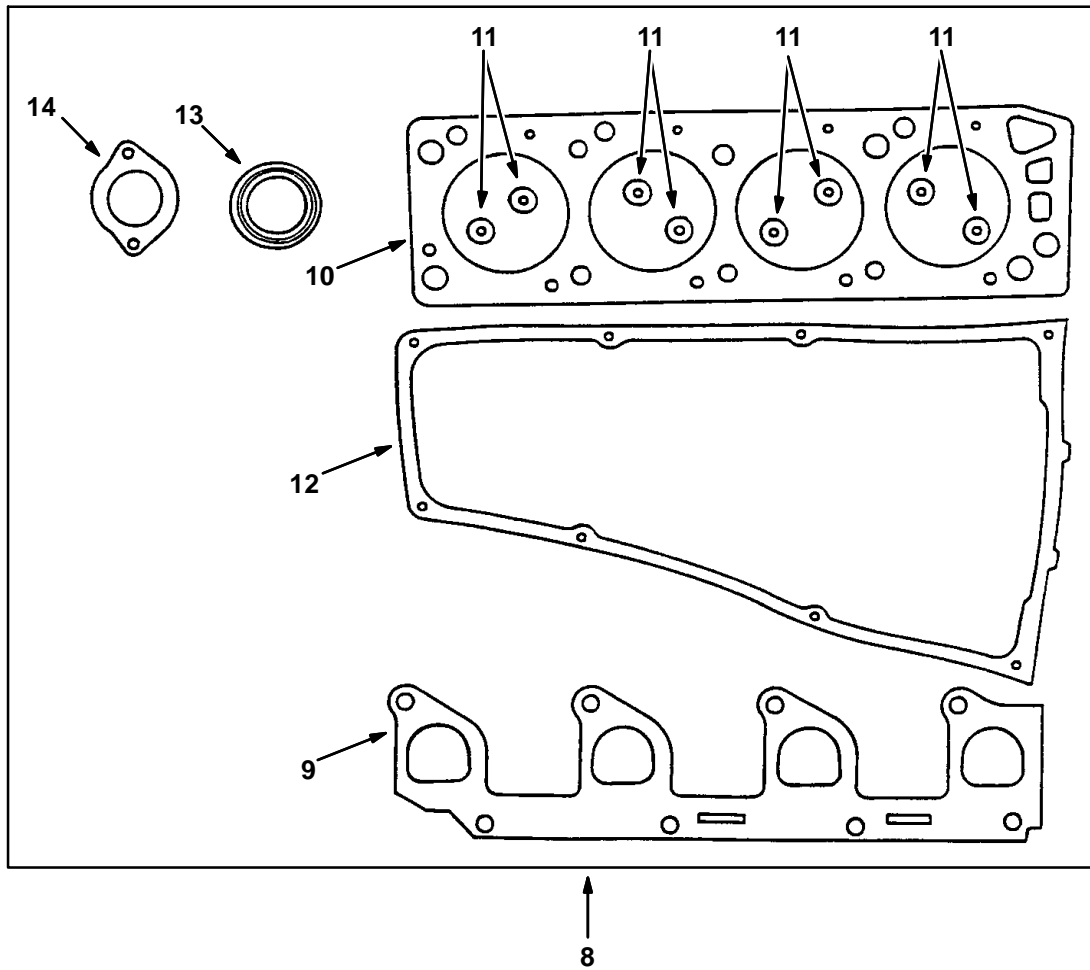
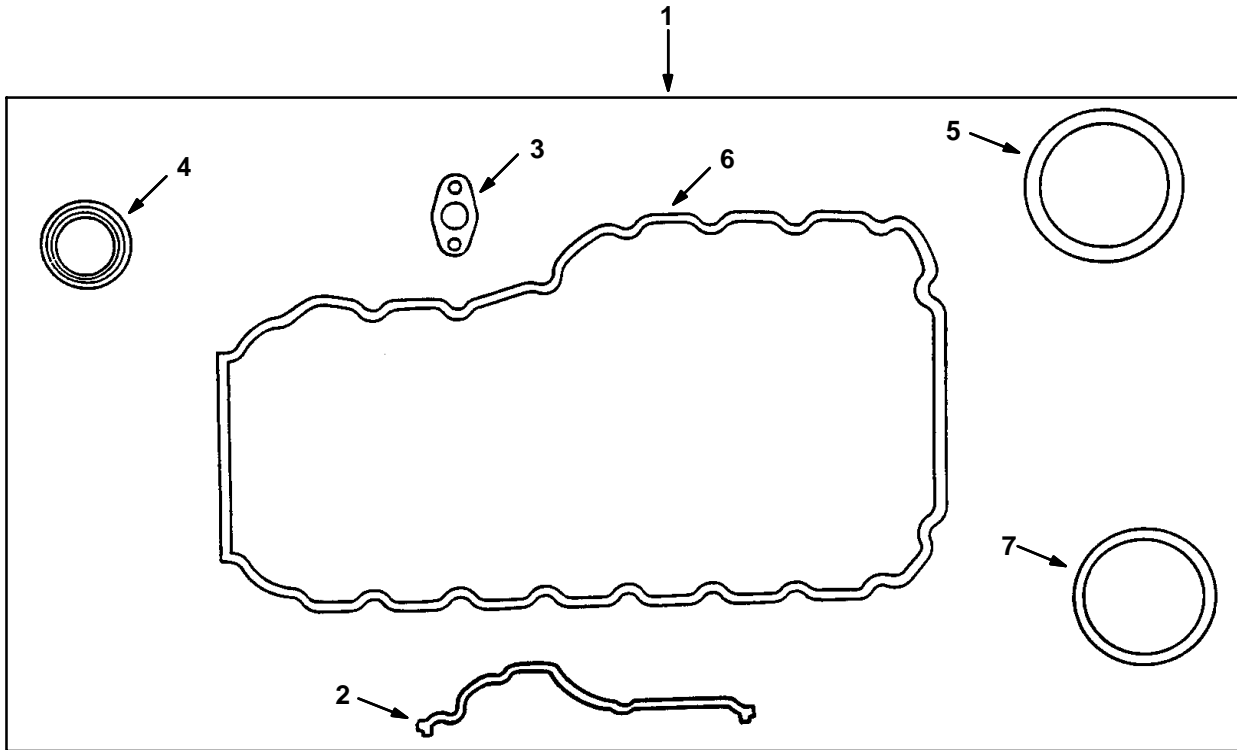
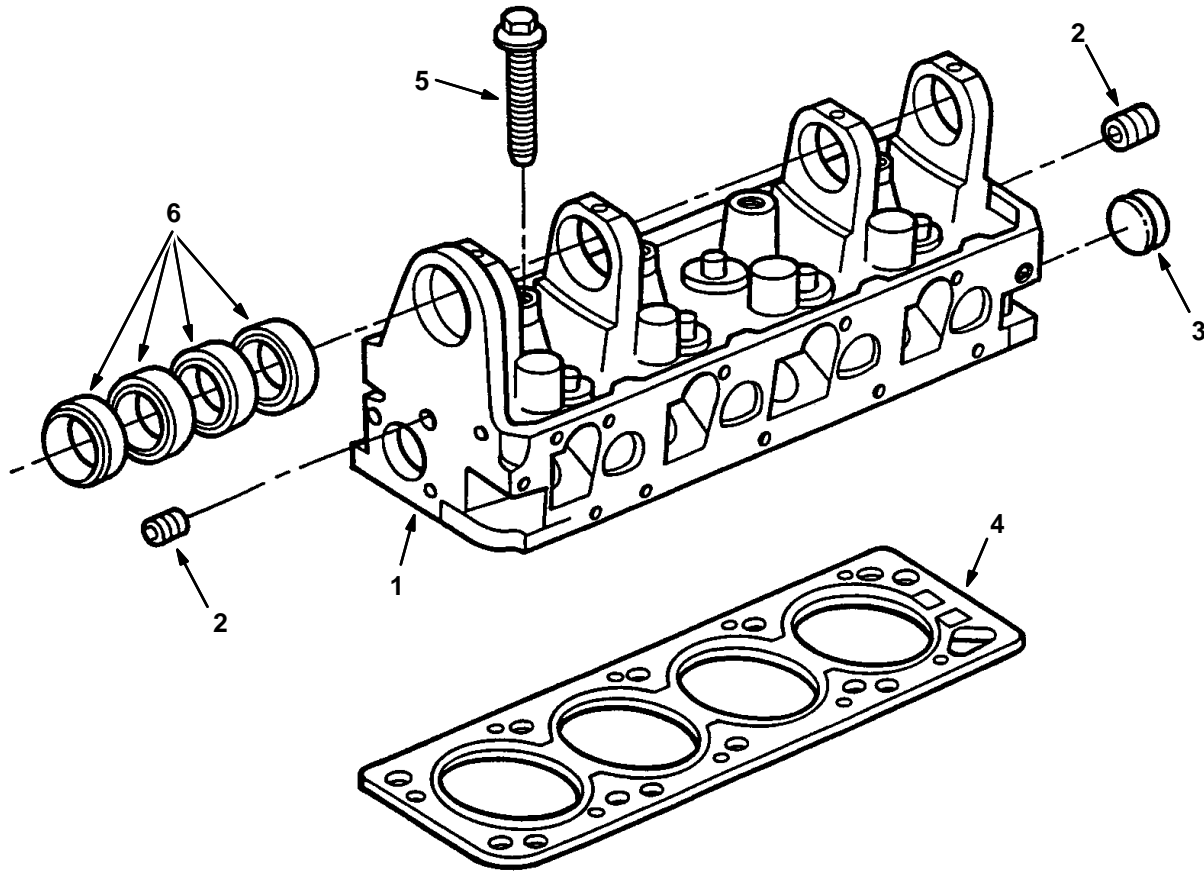


Fig. 2 – Gaskets Group

	Ref.	Part No.	Description	Qty.
▽	1	370851	Gskt Kit,Lower	1
▲	2	84896	Gskt,Frnt Cvr	1
▲	3	84887	Gskt,Pmp/Putube	1
▲	4	60833	Oil Seal, Front	1
▲	5	60834	Seal, Rear	1
▲	6	84889	Gasket,Oil Pan	1
▲	7	84983	Gskt,Water Pump	1
▽	8	84891	Gskt Kit,Upper	1
▲	9	84991	Gskt,In.Manfld	1
▲	10	60806	Gasket, Head	1
▲	11	84958	Seal,Valve Stem	8
▲	12	73995	Gskt,Rockr Cvr	1
▲	13	60833	Oil Seal, Front	1
▲	14	74538	Gskt–Waterout	1

2.5L ENGINE BREAKDOWN

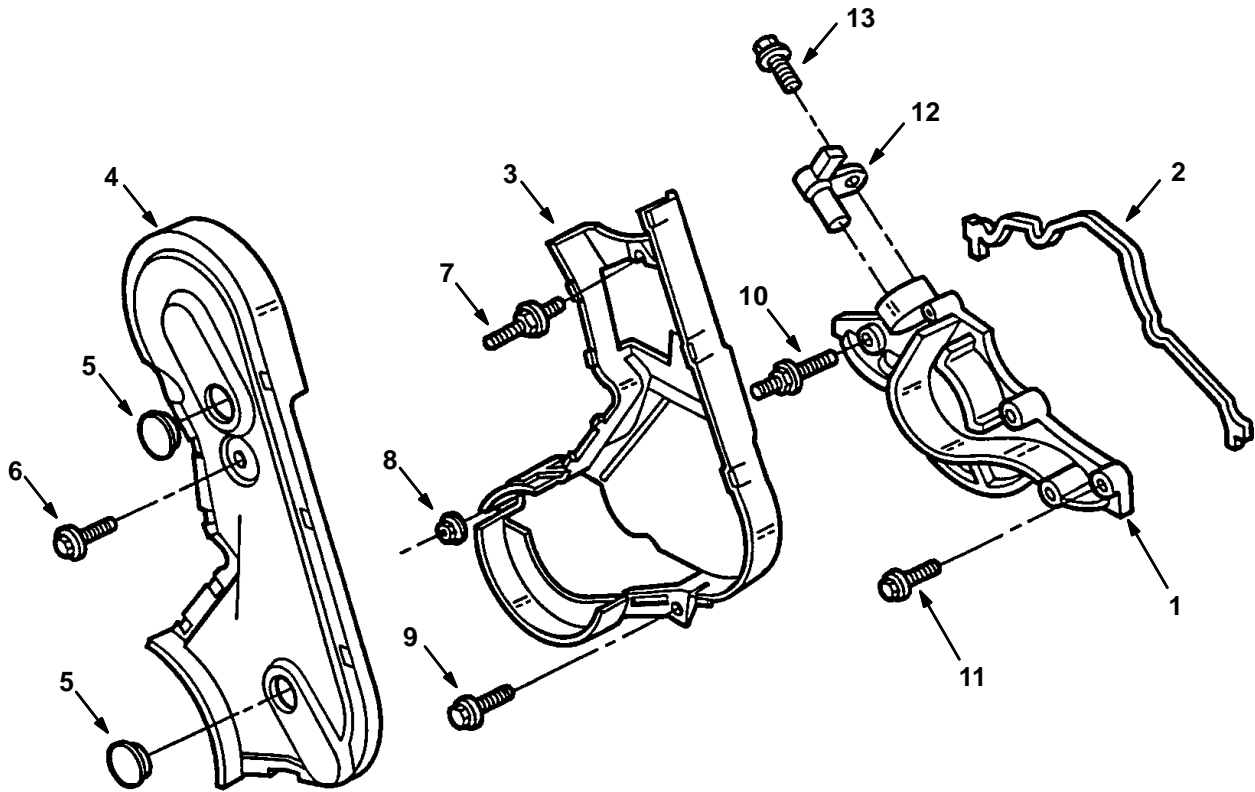
Fig. 3 – Cylinder Head Group



10445 – 800L, 8410, G, LP

Ref.	Part No.	Description	Qty.
1	84907	Head–W/O Valves	1
2	36268	Plug 1/4 Npt	2
3	84910	Plug, 1.50 Cup	1
4	60806	Gasket, Head	1
5	73927	Bolt M12	10
6	60817	Bearing Cam,	4
6	73936	Bearing, .016 Camshaft	–

Fig. 4 – Cylinder Front Cover Group



10446 – 800L, 8410, G, LP

Ref.	Part No.	Description	Qty.
1	84895	Lower Cover	1
2	84896	Gskt,Front Cvr	1
3	84897	Inner Cover	1
4	84898	Outer Cover	1
5	74536	Plug	2
6	84899	Bolt, M8 X 17 Schd	1
7	84900	Stud,M8X51.0mm	1
8	84901	Nut, M6	1
9	84902	Scr&Wsh,M6X22.5	1
10	84903	Stud,M6X61.8mm	1
11	84904	Bolt,M6X37.5mm	3
12	84905	Sensor,Crnksft	1
13	84906	Screw,M6X22.5mm	1

2.5L ENGINE BREAKDOWN

Fig. 5 - Starter Breakdown

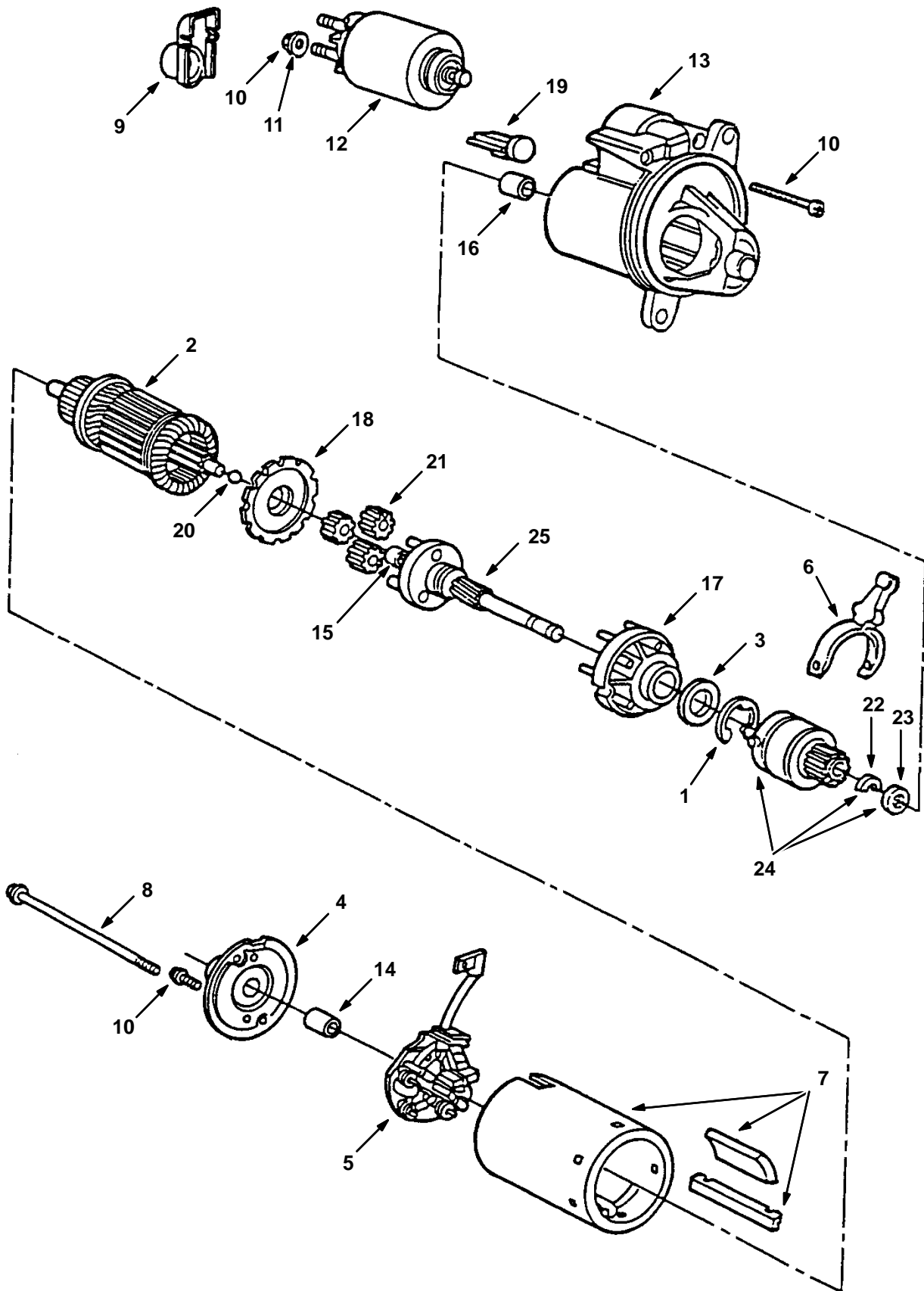


Fig. 5 – Starter Breakdown

	Ref.	Part No.	Description	Qty.
▽		60938	Motor, Starting, Perm Mag, 12V	1
▲	1	79640	Retaining Ring	1
▲	2	84999	Armature	1
▲	3	79956	Washer	1
▲	4	79628	Plate & Brg	1
▲	5	79629	Brush Holder	1
▲	6	79630	Lever	1
▲	7	79631	Frame&Mag.As	1
▲	8	79632	Bolt–Thru	2
▲	9	79970	Term.Cover	1
▲▽	10	79633	Kit–Attaching	1
▲▲	11	79957	Nut&Washer,M8	1
▲	12	370829	Solenoid	1
▲	13	79634	Hsg W/Brg	1
▲	14	79635	Bearing	1
▲	15	79960	Planet Bearing	3
▲	16	79961	Bearing	1
▲	17	79962	Statnry Gear	1
▲	18	79963	Retnr.Gear	1
▲	19	79964	Seal	1
▲	20	79965	Arm.Thr.Ball	1
▲	21	79966	Gear Assy	3
▲	22	79636	Ring–Drv.Stop	1
▲	23	79967	Retainer	1
▲	24	79638	Drive Assy	1
▲	25	79969	Shft Asy,Output	1

Fig. 6 – Oil Pan Group

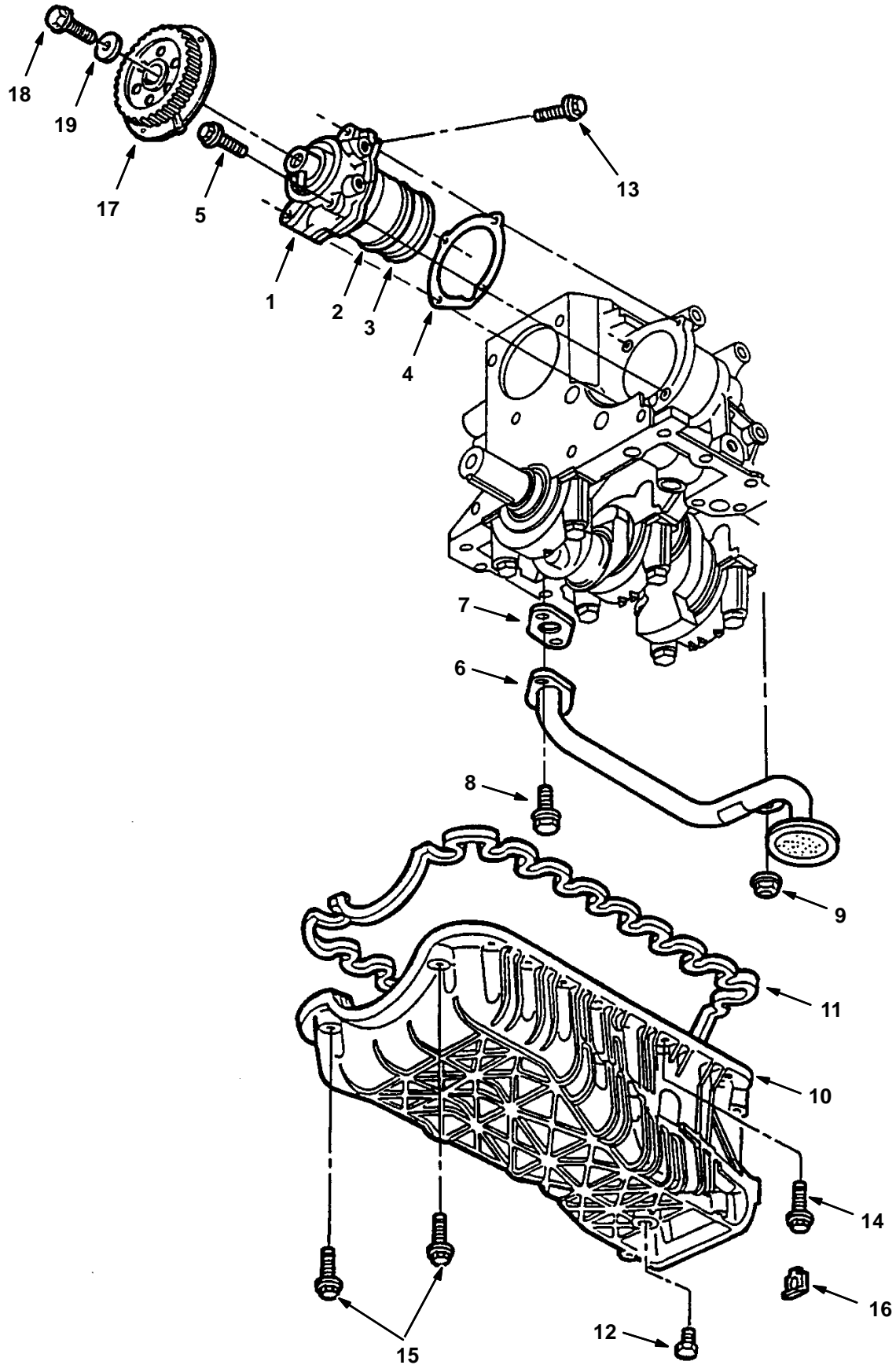


Fig. 6 – Oil Pan Group

Ref.	Part No.	Description	Qty.
1	84963	Oil Pump	1
2	84964	O-Ring,2.375	1
3	84965	O-Ring-2.250	1
4	84966	Gskt,Oilpmp/Blk	1
5	84967	Bolt,M6X47.5mm	4
6	370852	Oil Pickup Tube	1
7	84969	Gskt,Pu Tube	1
8	84970	Bolt,M8X20.0mm	2
9	84971	Nut,M10	1
10	370853	Oil Pan Assy	1
11	84889	Gasket,Oil Pan	1
12	370854	Oil Plug	1
13	84981	Bolt,M5X20.0M	2
14	84973	Bolt,M6X27.5mm	16
15	84974	Bolt,M6X52.5mm	2
16	84975	Oil Pan Spacer	-
16	84976	Oil Pan Spacer	-
16	84977	Oil Pan Spacer	-
17	84978	Oil Pmp Sprkt	1
18	84979	Bolt,M10X40.0mm	1
19	74561	Washer	1

Fig. 7 – Crankshaft Group

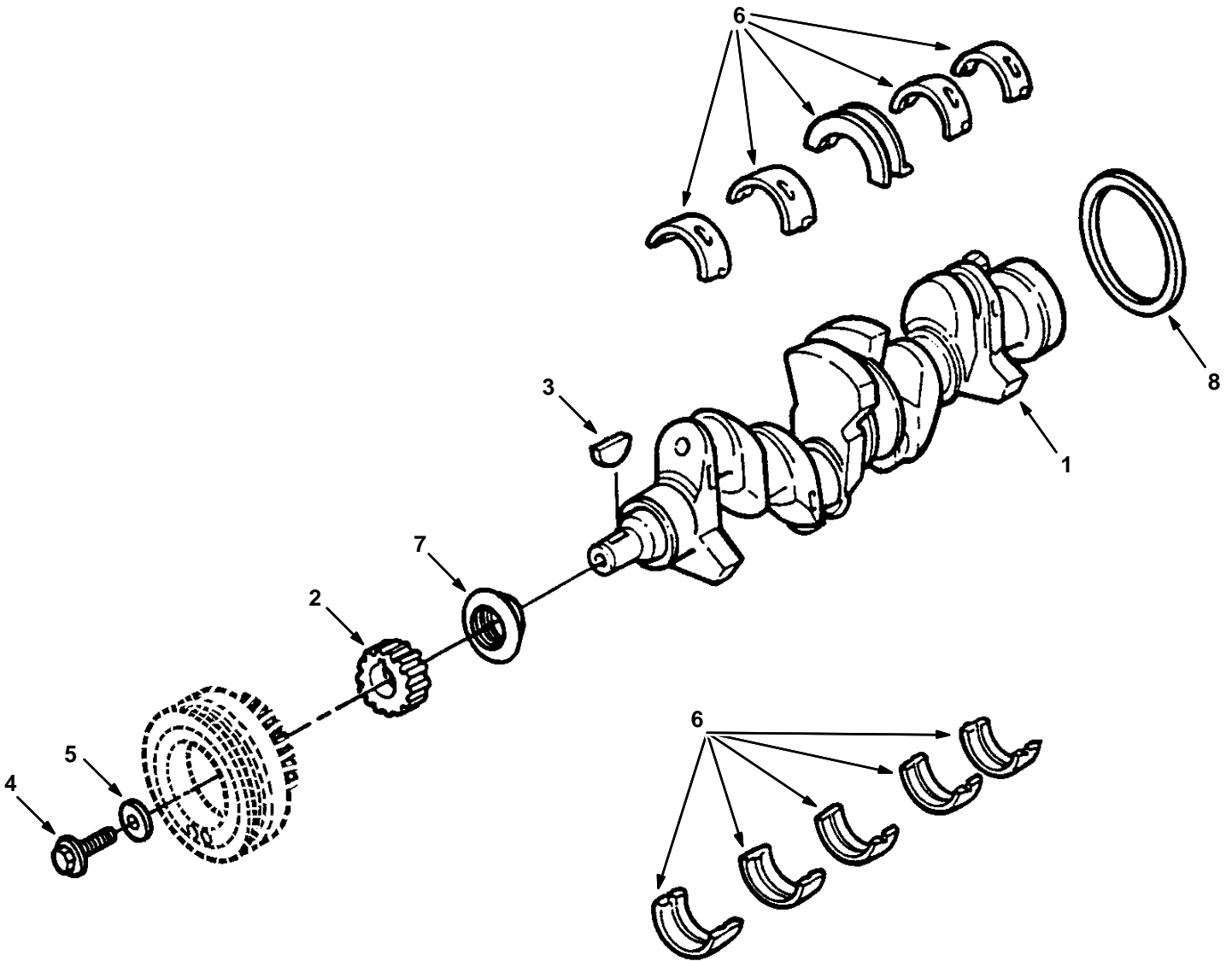


Fig. 7 – Crankshaft Group

Ref.	Part No.	Description	Qty.
1	370855	Crankshaft Asy	1
2	84924	Crnksft Sprckt	1
3	84925	Crnkshaft Key	1
4	84926	Bolt,M14X55.0M	1
5	84927	Wash M15 1.53Od	1
6	1051175	Bearing Kit, Cshft, Std[F2.3/2.5I]	4
6	1051167	Bearing Kit, Cshft, .040[F2.3/2.5I]	–
6	1051174	Bearing Kit, Cshft, .010[F2.3/2.5I]	–
6	1051173	Bearing Kit, Cshft, .020[F2.3/2.5I]	–
6	1051172	Bearing Kit, Cshft, .030[F2.3/2.5I]	–
7	60833	Oil Seal, Front	1
8	60834	Crnksft Seal–Rear	1

2.5L ENGINE BREAKDOWN

Fig. 8 – Manifolds Group

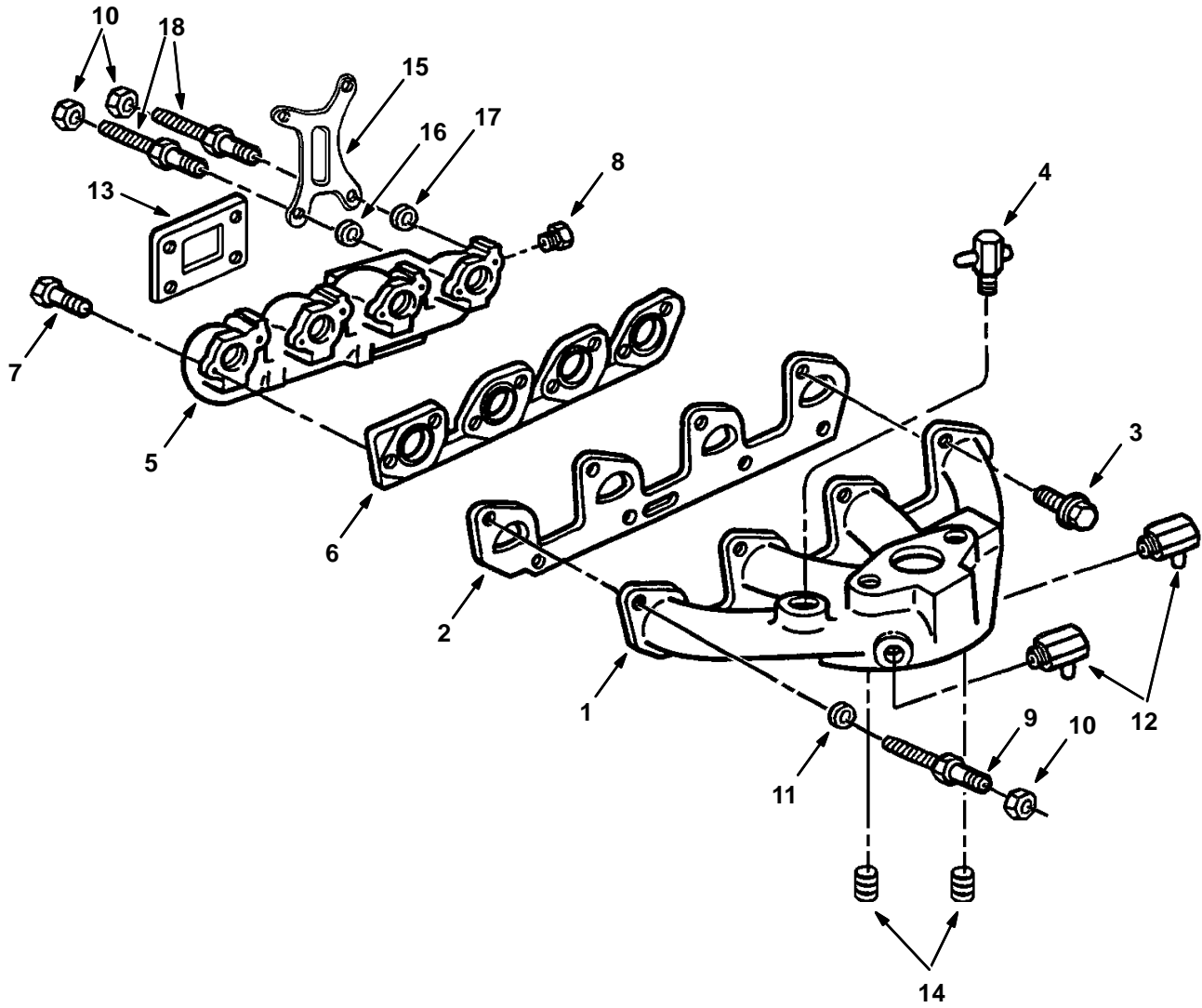


Fig. 8 – Manifolds Group

Ref.	Part No.	Description	Qty.
1	84990	Int.Manifold	1
2	84991	Gskt,Int.Mnfld	1
3	84992	Bolt,M8X25.0mm	7
4	74527	Vac.Fitting	1
5	74509	Exh.Manifold	1
6	84995	Gskt,Exh.Mnfld	1
7	84996	Bolt,M10X55.0M	6
8	84997	Plug, 1/2Npt	1
9	79972	Stud	1
10	79973	Nut M8-1.25	3
11	79974	Spacer	1
12	84985	Elbow,90 deg	2
13	36048	Gasket, Exh. Flange	1
14	73917	Plug 3/8 NPT	2
15	79976	Lifting Eye	1
16	21792	Spacer	1
17	21793	Spacer	1
18	21794	Stud	2

Fig. 9 – Flywheel Group

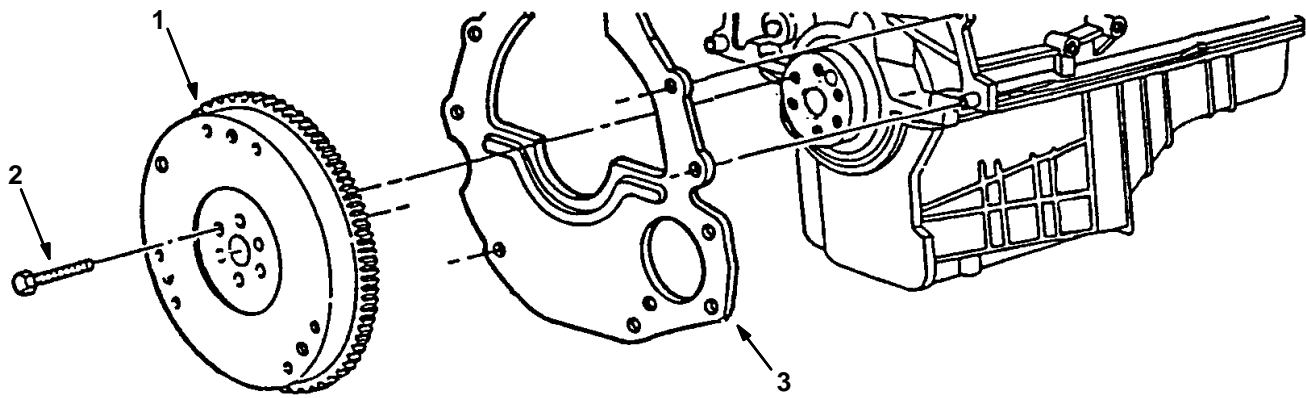


Fig. 9 – Flywheel Group

	Ref.	Part No.	Description	Qty.
▽	1	370102	Flywheel	1
▲		84659	Gear, Ring [Fd]	1
	2	64038	Bolt,M10X58.0mm	6
	3	83669	Rear Plate	1

2.5L ENGINE BREAKDOWN

Fig. 10 – Camshaft And Sprocket Group

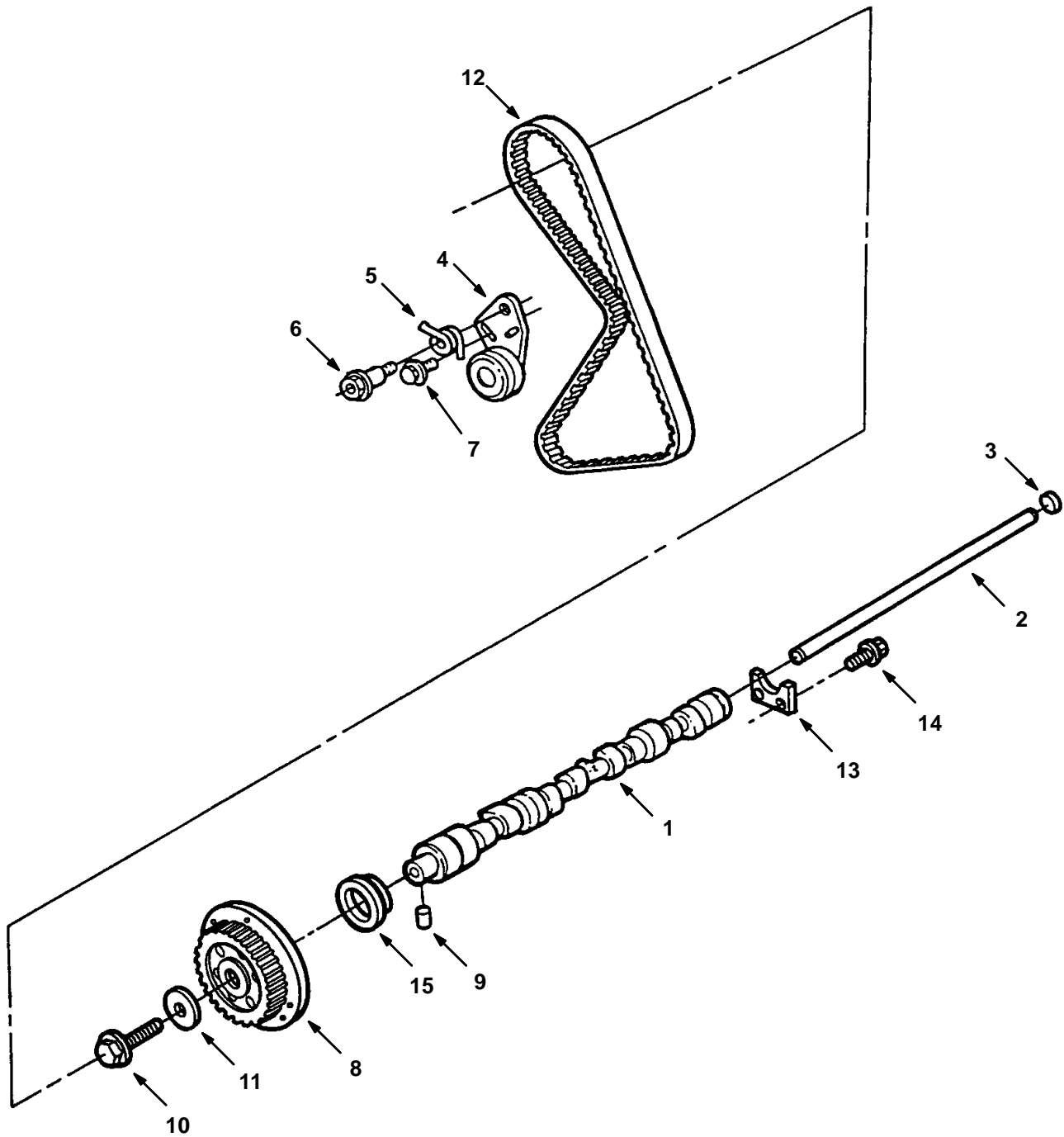


Fig. 10 – Camshaft And Sprocket Group

Ref.	Part No.	Description	Qty.
1	84915	Camshaft	1
2	84916	Rod	1
3	84917	Plug	1
4	73967	Tensioner, Arm	1
5	73970	Spring, Tension	1
6	84919	Bolt, Tens. Sprn	1
7	74552	Bolt	1
8	84978	Camshft Sprckt	1
9	84921	Pin, 1/4X.32	1
10	74545	Bolt M12X45	1
11	73937	Washer	1
12	84936	Timing Belt	1
13	73954	Plate	1
14	74548	Scr&Wash M6	2
15	60833	Oil Seal, Front	1

2.5L ENGINE BREAKDOWN

Fig. 11 – Valve And Rocker Arm Cover Group

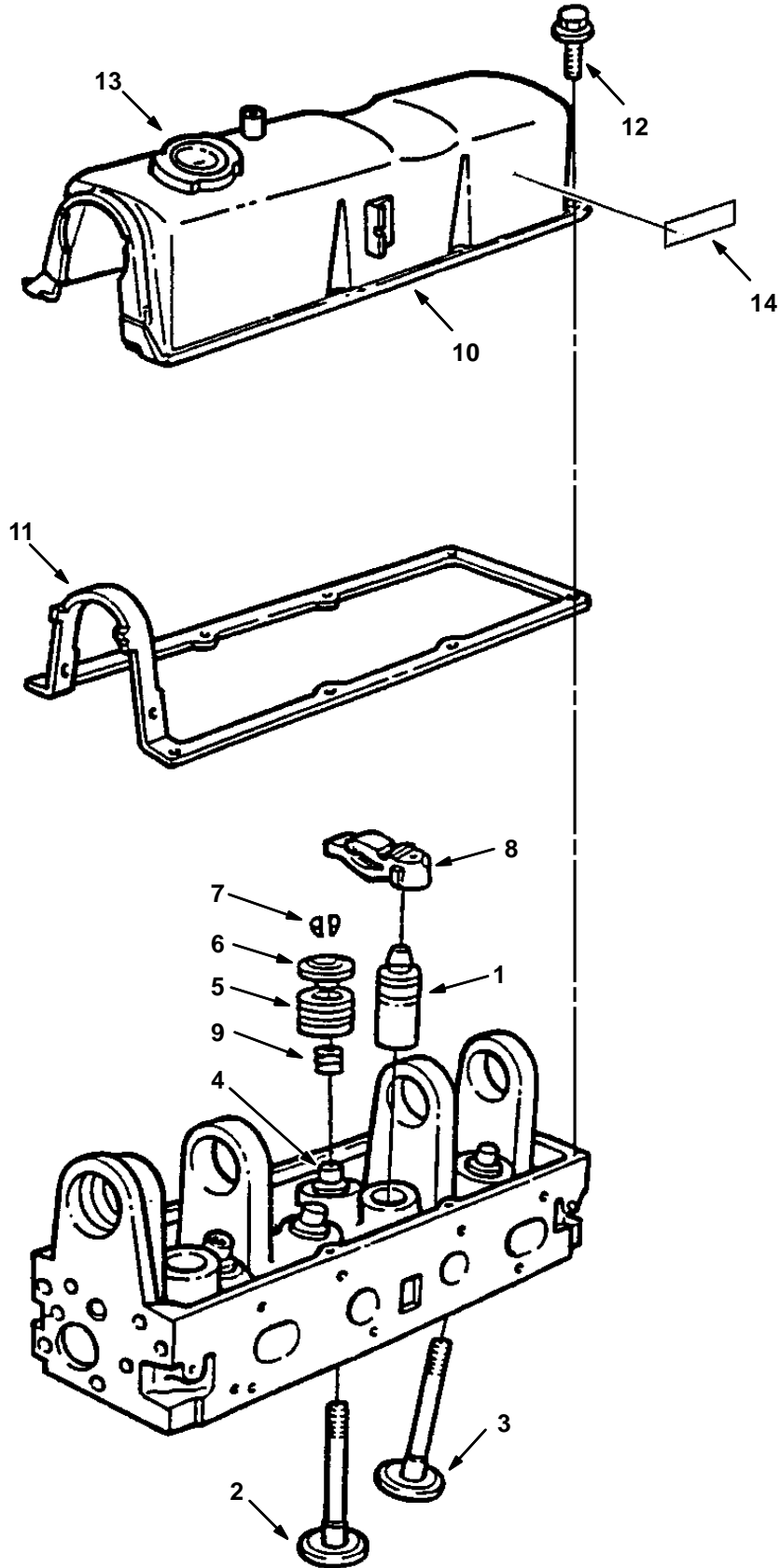
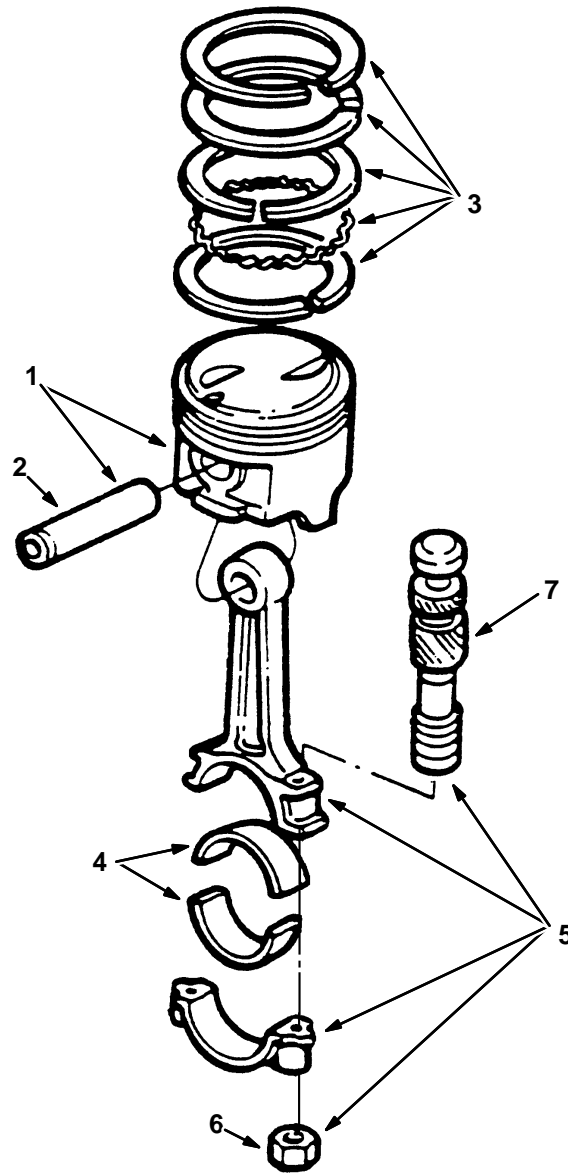


Fig. 11 – Valves And Rocker Arm Cover Group

Ref.	Part No.	Description	Qty.
1	84950	Tap.Assy-Valve	8
2	84951	Std.Exh.Valve	4
3	84952	Std.Int.Valve	4
4	84953	Valve Guide Bushing	–
5	84954	Valve Spring	8
6	84955	Valve Spring Retainer	8
7	84956	Valve Spring Key	16
8	84957	Valve Rocker Arm	8
9	84958	Valve Stem Seal	8
10	370876	Valve Rocker Arm Cover	1
11	73995	Gasket,Rocker Cover	1
12	84961	Scr&Wsh,M6X15.0M	8
13	60836	Breather Cap	1
14	36164	Warning Label, Starter	1

2.5L ENGINE BREAKDOWN

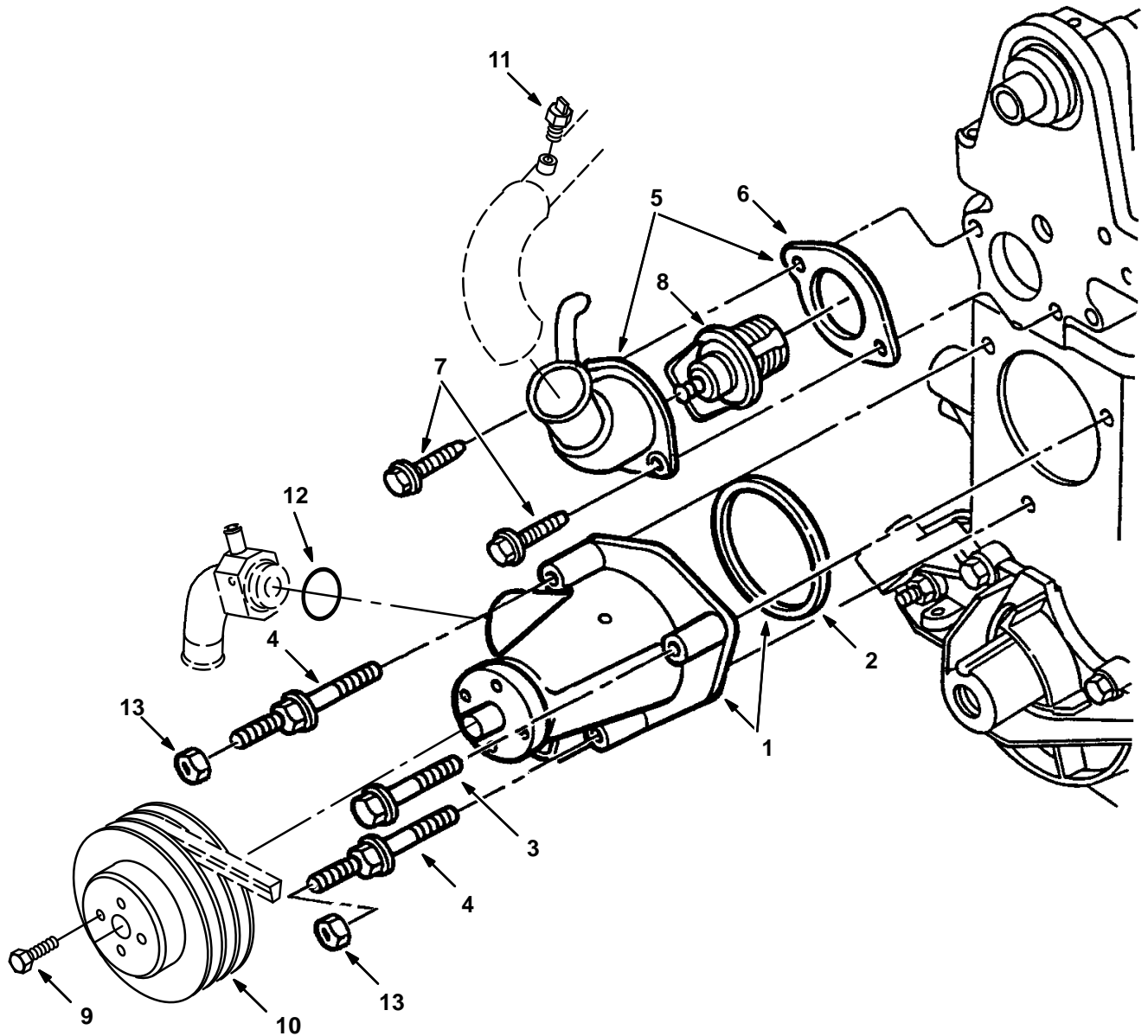
Fig. 12 – Piston And Connecting Rod Group



10447 – 800L, 8410, G, LP

Ref.	Part No.	Description	Qty.	
1	370888	Piston, Std.	4	
2	370889	Piston Pin	4	
3	370890	Ring Set, Std.	2	
4	370891	Bearing	8	
∇	5	370892	Connecting Rd	4
▲	6	60813	Nut, Conrod-8	8
▲	7	60814	Bolt-Conrod-4	8

Fig. 13 – Water Pump, Thermostat and Fan Group

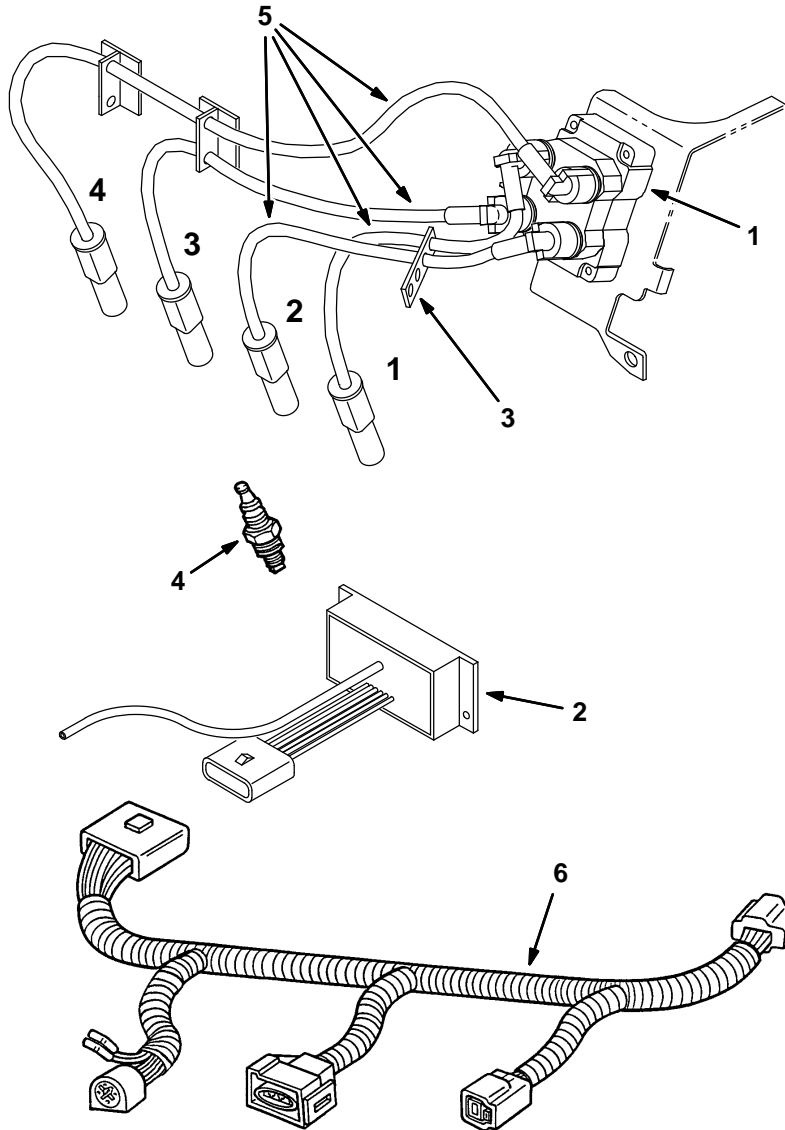


10528 – 800L, 8410, G, LP

Ref.	Part No.	Description	Qty.	
▽	1	84982	Water Pump	1
▲	2	84983	Gskt,Water Pump	1
	3	84984	Bolt,M8X53.0mm	1
	4	84998	Stud	2
▽	5	73996	Water Outlet	1
▲	6	74538	Gasket Water Outlet Connection	1
	7	84988	Bolt,M8X18.0M	2
	8	84987	Therm 190 W/Gsk	1
	9	84994	Bolt, M8X12.0mm	1
	10	36014	Sheave, Water Pump	1
	11	84989	Temperature sensor	1
	12	79975	O-Ring, Water Pump Adaptor	1
	13	84993	Locknut	2

2.5L ENGINE BREAKDOWN

Fig. 14 – Ignition Group



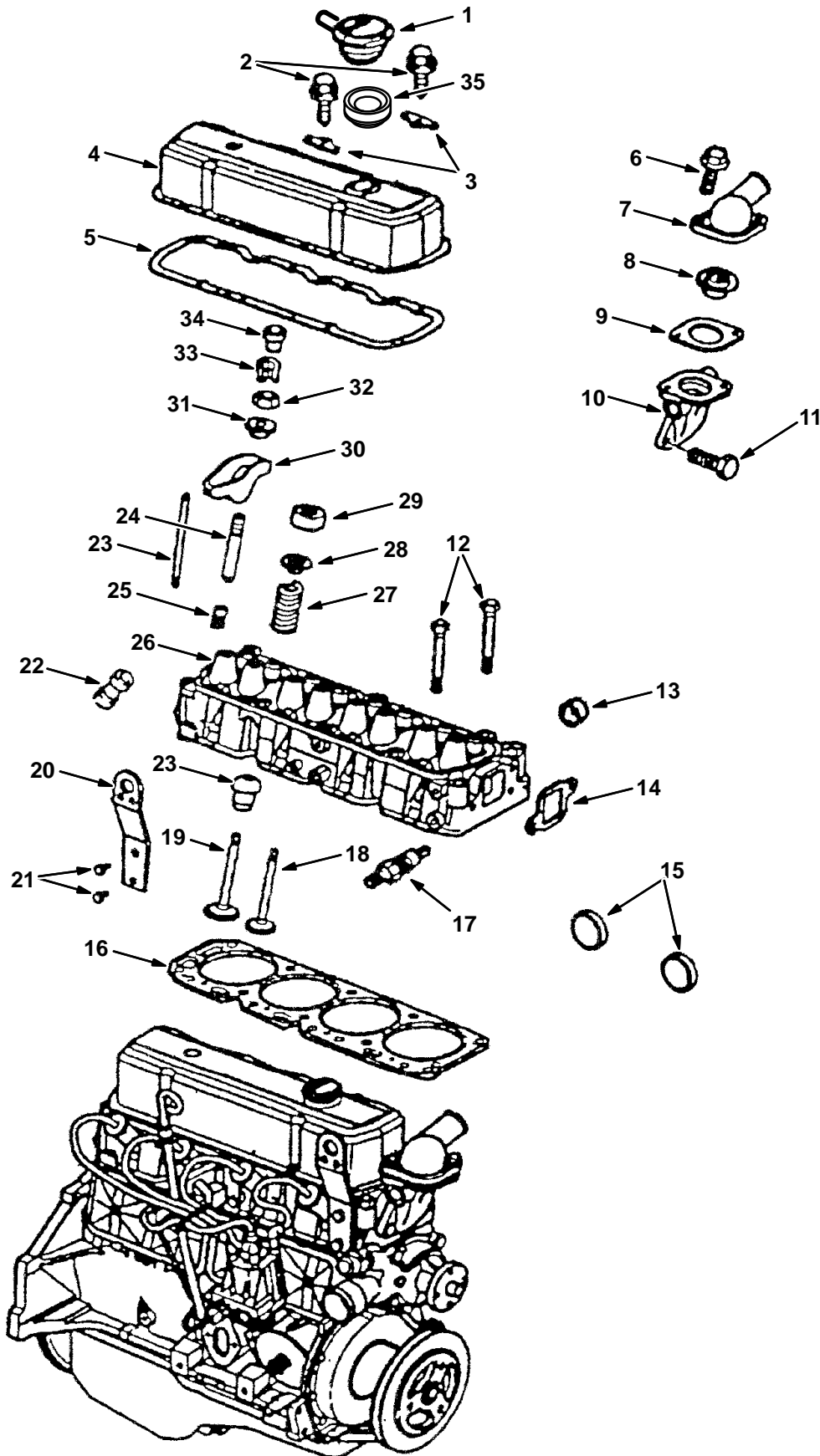
10524-350562- 800L, 8410, G, LP

Ref.	Part No.	Description	Qty.
1	83732	Ignition Coil	1
2	374274	Ignition Module Kit	1
3	84882	Separator	1
4	60846	Spark Plug	4
5	83677	Wire Asy, Spark Plug	1
6	370875	Harness, Wire, Eng	1

SECTION 7

Contents	Page
Fig. 1 – Cylinder Head, Valves Group	7-2
Fig. 2 – Distributor and Ignition Group	7-4
Fig. 3 – Engine Block and Piston Group	7-6
Fig. 4 – Oil Pump and Oil Pan Group	7-8
Fig. 5 – Crankshaft Group	7-10
Fig. 6 – Camshaft and Water Pump Group	7-12

Fig. 1 – Cylinder Head, Valves Group



3.0L GM ENGINE BREAKDOWN, GASOLINE, LPG

G, LP

Fig. 1 – Cylinder Head, Valves Group

Ref.	Part No.	Description	Qty.
1	393894	Cap, Oil Filler	1
2	393824	Bolt	–
3	393895	Reinforcement	–
4	393896	Cover	1
5	393897	Gasket	–
6	393898	Bolt	3
7	393899	Outlet For engine serial numbers (004937–006999)	1
8	393900	Thermostat	1
9	393901	Gasket	1
10	393902	Housing	1
11	393898	Bolt	3
12	393903	Bolt	–
13	393904	Plug	2
14	393917	Gasket	1
15	393918	Plug	–
16	393933	Gasket	1
17	393934	① Sparkplug [Gm 3.0]	4
17	9006586	② Sparkplug [Gm 3.0]	4
18	393935	Valve, Exhaust	4
19	393936	Valve, Intake	4
20	393937	Bracket	1
21	393938	Bolt	8
22	393951	Lifter	8
23	393952	Rod	8
24	393953	Stud, .003" O.S.	8
24	393954	Stud, .013" O.S.	8
25	393955	Sealer	8
26	393956	Head	1
27	393957	Spring	8
28	393958	Cap, Valve Spring	8
29	393959	Shield	12
30	393960	Arm Kit	8
31	393961	Ball	8
32	393962	Nut	8
33	393963	Key	16
34	393964	Rotator	4
35	393993	Grommet, Breather, Oil	1

① Machine Serial number (004937–006999)

② Machine Serial number (007000–)

3.0L GM ENGINE BREAKDOWN, GASOLINE, LPG

Fig. 2 – Distributor and Ignition Group

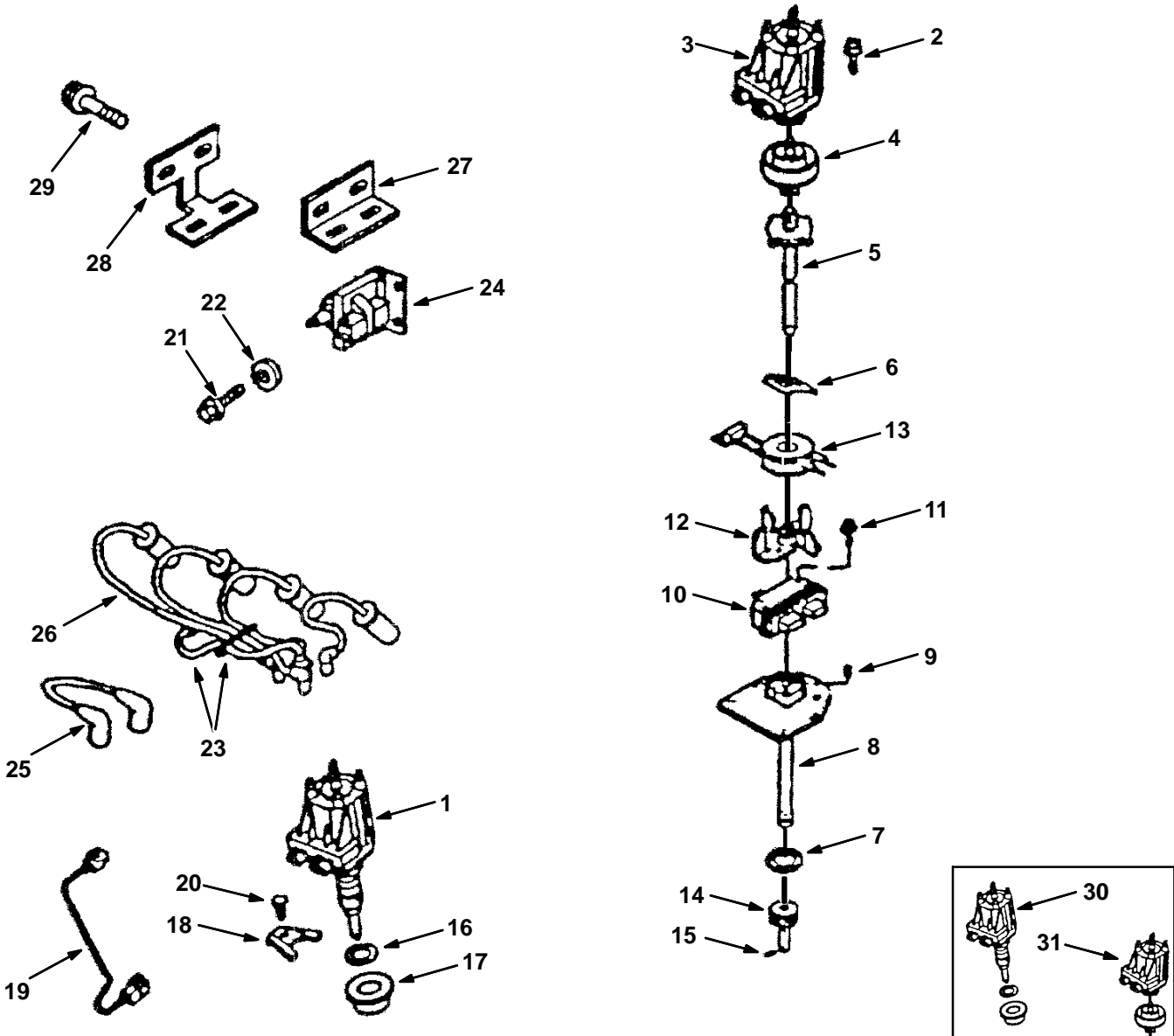


Fig. 2 – Distributor and Ignition Group

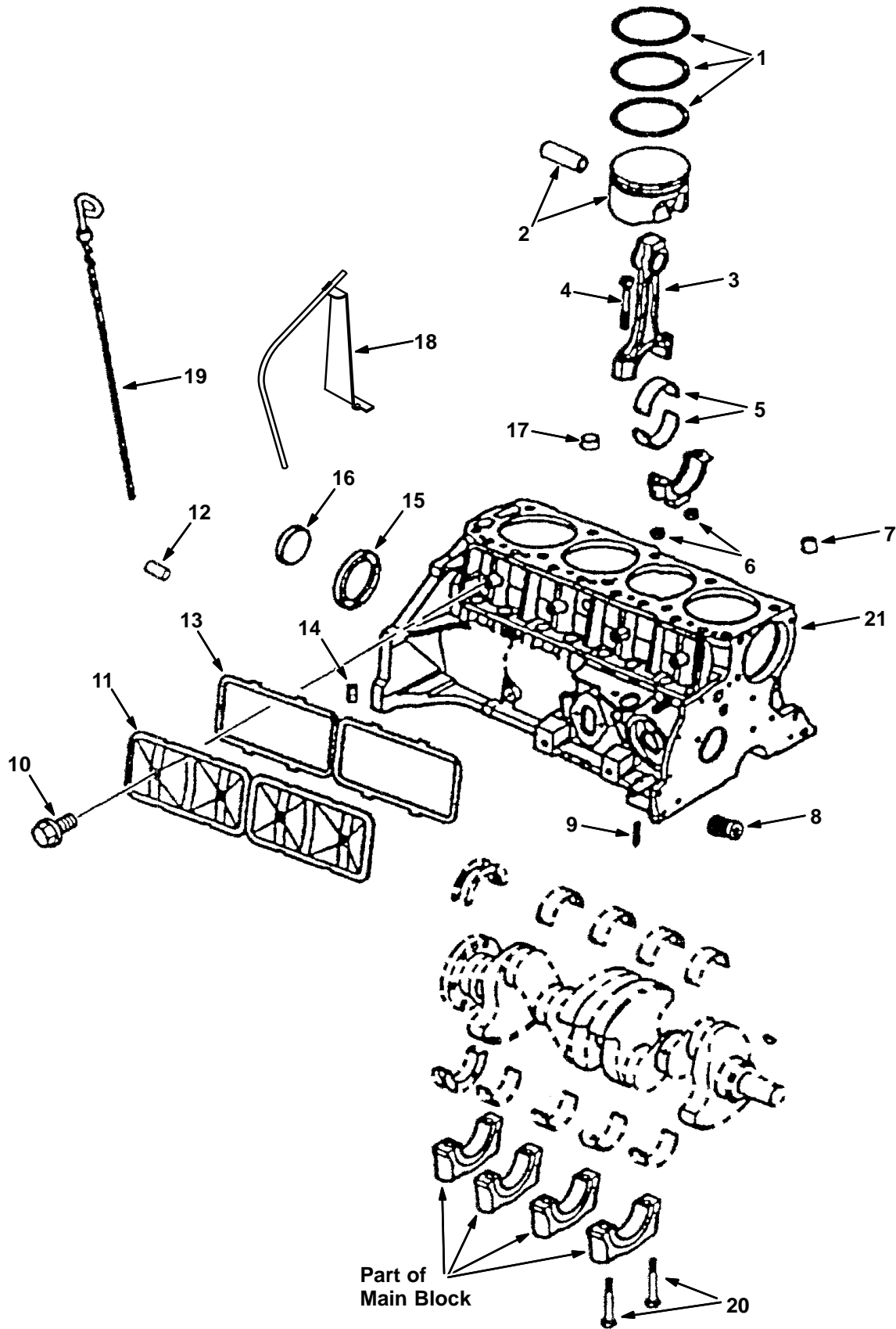
Ref.	Part No.	Description	Qty.
▽	1 9006584	② Distributor	1
▲	2 393919	Bolt	2
▲	3 9006585	② Cap, Distributor	1
▲	4 393921	Rotor	1
▲	5 393922	Shaft	1
▲	6 393923	Retainer	1
▲	7 393924	Sealer	1
▲	8 393925	Housing	1
▲	9 393926	Pin	1
▲	10 393927	Module	1
▲	11 393928	Bolt	2
▲	12 393929	Pole Piece	1
▲	13 393930	Coil	1
▲	14 393931	Gear	1
▲	15 393932	Pin	1
	16 393940	Gasket	1
	17 393941	Washer	1
	18 393942	Clamp	1
	19 393943	Wire	1
	20 393898	Bolt	3
	21 393945	Bolt, (HFH3/8–16x062 280 POR)	2
	22 393946	Washer	2
	23 393947	Retainer	–
	24 393948	① Coil	1
	24 9006587	② Coil	1
	25 393949	① Wire	1
	25 9006588	② Wire, Coil	1
	26 393950	① Spark Plug Wires (Straight Boots)	1
	26 9006583	② Wire Set, Sparkplug (90 Degree Boots)	1
	27 393965	Bracket, Top	1
	28 393966	Bracket, Bottom	1
	29 393967	Bolt	–
	30 393939	① Distributor	1
	31 393920	① Cap, Distributor	1

① Machine Serial number (004937–006999)

② Machine Serial number (007000–)

3.0L GM ENGINE BREAKDOWN, GASOLINE, LPG

Fig. 3 – Engine Block and Piston Group



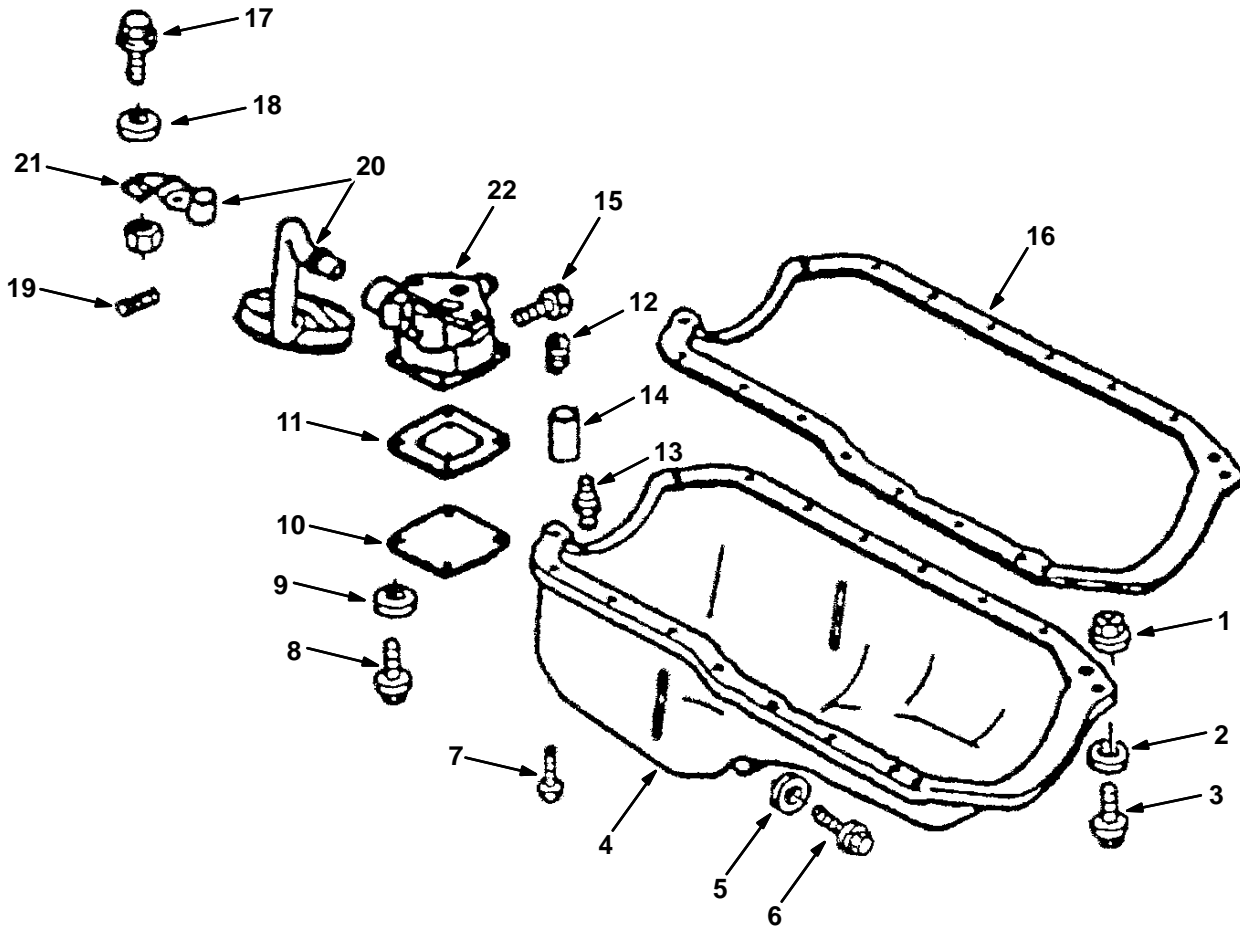
3.0L GM ENGINE BREAKDOWN, GASOLINE, LPG

G, LP

Fig. 3 – Engine Block and Piston Group

Ref.	Part No.	Description	Qty.
1	393806	Ring Kit, Std	4
1	393807	Ring Kit, .030" O.S.	4
2	393808	Piston, STD	4
2	393809	Piston, Hi-limit	4
2	393810	Piston, .020" O.S.	4
3	393811	Conn Rod	4
4	393812	Bolt	8
5	393813	Bearing Kit, Std	4
5	393814	Bearing Kit, .001 U.S.	4
6	393815	Nut, Conn Rod	8
7	393816	Bearing Kit	1
8	393832	Valve	1
9	393833	Pin	8
10	393882	Bolt	4
11	393883	Cover	1
12	393884	Pin	2
13	393662	Sealant, [Rtv], 03.35oz	-
13	393663	Sealant, [Rtv], 05.00oz	-
14	393886	Plug	1
15	393888	Plug	1
16	393889	Plug	-
17	393890	Plug	1
18	372464	Tube, Ds	1
19	372251	Dipstick	1
20	393872	Bolt	10
21	393887	Engine, Partial (Includes block, pistons, rods, crankshaft, bearings, rear seal gasket)	1

Fig. 4 - Oil Pump and Oil Pan Group



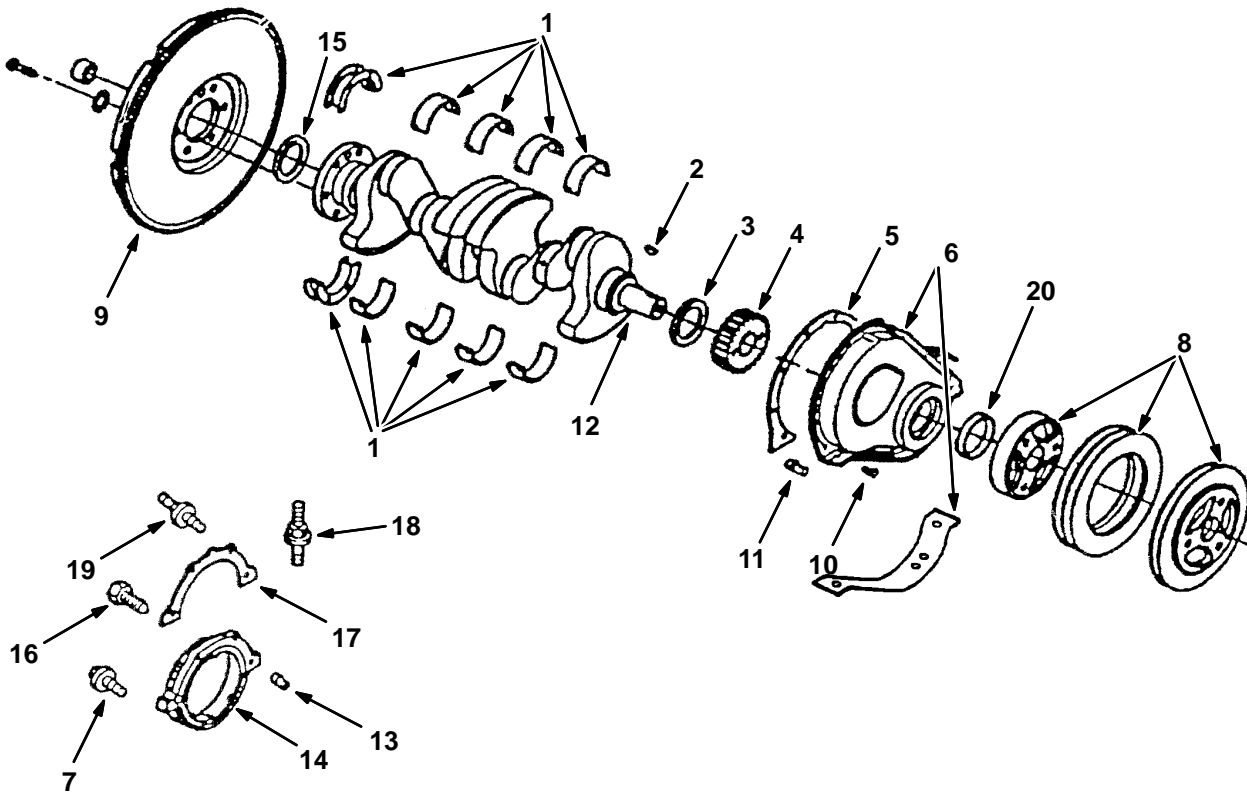
3.0L GM ENGINE BREAKDOWN, GASOLINE, LPG

G, LP

Fig. 4 – Oil Pump and Oil Pan Group

Ref.	Part No.	Description	Qty.
	1 393848	Nut	–
	2 393849	Washer	–
	3 393850	Bolt	–
▽	4 393853	Oil Pan	1
▲	5 393852	Gasket	1
▲	6 393851	Plug	1
	7 393824	Bolt (1/4–20x1/2)	2
	7 393850	Bolt (1/4–20x.62)	2
	7 393854	Bolt (5/16–18x5/8)	12
	8 393855	Screw	4
	9 393849	Washer	4
	10 393856	Cover	1
	11 393857	Gasket	1
	12 393858	Spring	1
	13 393859	Plug	1
	14 393860	Valve	1
	15 393861	Bolt	3
	16 393862	Gasket	1
	17 393867	Bolt	–
	18 393868	Washer	–
	19 393869	Pin	1
	20 393871	Screen, w/Tube	1
▽	20 393870	Screen, w/Suction Pipe	1
▲	21 393865	Bracket	1
	22 393863	Pump	1

Fig. 5 - Crankshaft Group



3.0L GM ENGINE BREAKDOWN, GASOLINE, LPG

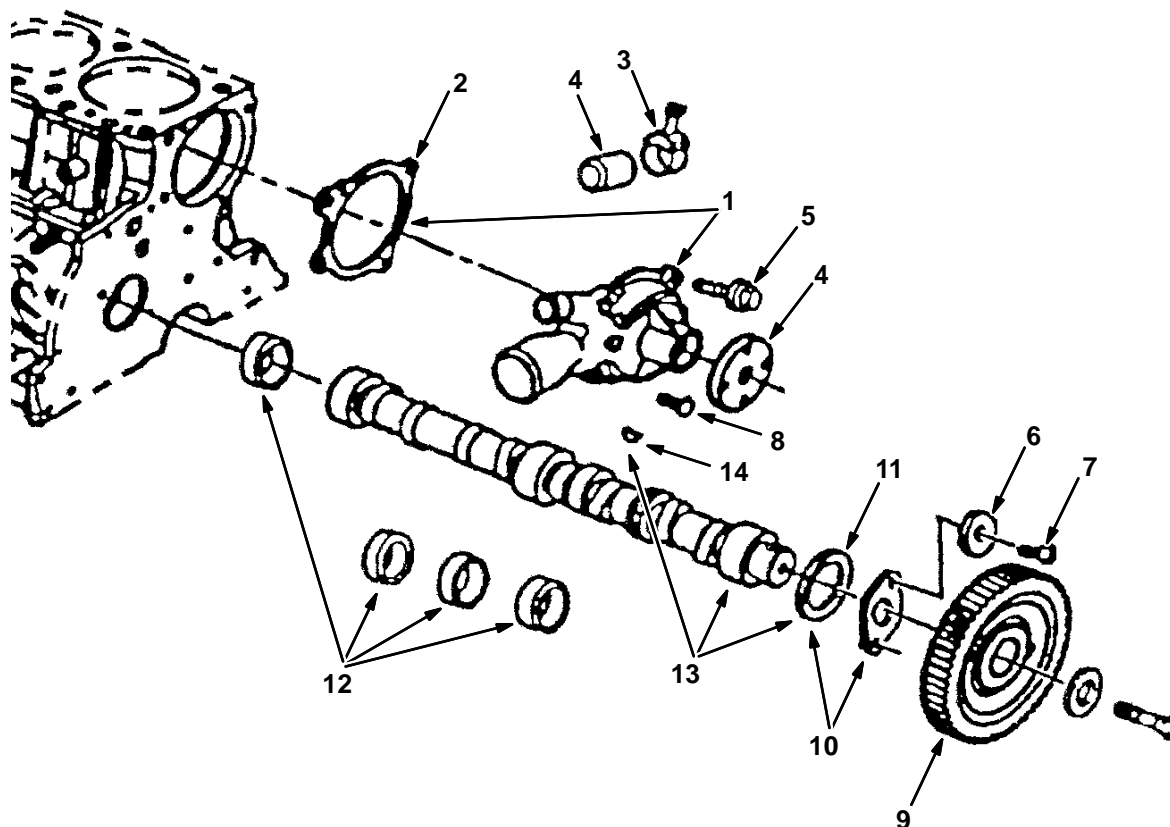
G, LP

Fig. 5 – Crankshaft Group

Ref.	Part No.	Description	Qty.
1	393837	Bearing Kit, Std #1, 2, 3, 4	4
1	393838	Bearing Kit, .001" #1, 2, 3, 4	4
1	393839	Bearing Kit, .010" #1, 2, 3, 4	1
1	393840	Bearing Kit, .020" #1, 2, 3, 4	1
1	393841	Bearing Kit, .030" #1, 2, 3, 4	1
1	393836	Bearing Kit, Std #5	4
1	393834	Bearing Kit, .001" #5	4
1	393835	Bearing Kit, .025" #5	4
2	393826	Key	1
3	393842	Seal	1
4	393843	Gear	1
5	393844	Gasket	1
6	393845	Cover	1
7	393875	Bolt	–
8	393846	Balancer	1
9	393881	Gear	1
10	393824	Bolt	8
11	393864	Nozzle	1
12	393866	Crankshaft	1
13	393873	Pin	1
14	393874	Housing	1
15	393880	Seal	1
16	393876	Bolt	–
17	393877	Gasket	1
18	393878	Stud	1
19	393879	Stud	2
20	9009657	Seal, Pulley, Shaft	1

3.0L GM ENGINE BREAKDOWN, GASOLINE, LPG

Fig. 6 – Camshaft and Water Pump Group



G, LP

	Ref.	Part No.	Description	Qty.
▽	1	393820	Water Pump	1
▲	2	393817	Gasket	1
	4	393818	Cap	1
	3	393819	Clamp	1
	5	393821	Bolt	1
	6	393822	Washer	1
	7	393823	Bolt (1/4–20x1/12 Hex)	1
	7	393824	Bolt (1/4–20x1/12)	3
	8	393825	Bolt (5/16–18x1.5 Hex)	2
	9	393827	Gear	1
▽	10	393828	Plate Kit	1
▲	11	393829	Ring	3
	12	393830	Bearing Kit	1
▽	13	393831	Camshaft	2
▲	14	393826	Key	1

SECTION 8

CONTENTS

PAGE

PART NUMBER TO PAGE NUMBER CROSS REFERENCE LIST 8-2
PART DESCRIPTION TO PAGE NUMBER CROSS REFERENCE LIST 8-19

CROSS REFERENCE

PART NUMBER TO PAGE NUMBER CROSS REFERENCE LIST

Part Number	Page Number	Part Number	Page Number	Part Number	Page Number
MM337	3-114	06943	2-13, 2-15, 2-19, 2-23, 2-137, 2-139, 2-153, 2-167, 2-175, 2-185, 2-189, 2-192, 3-19, 3-21, 3-23, 3-25, 3-27, 3-29, 3-55	08085	2-153, 2-169
00500-15	4-32			08165	2-139
00954	4-34			08166	2-107, 2-109
00960	2-135, 2-137, 2-139, 4-35			08179	2-175
01274	2-33			08180	2-147
01685	2-29, 2-59, 3-57, 3-59	06944	2-9, 2-11, 2-13, 2-17, 2-19, 2-95, 2-99, 2-133, 2-171, 3-45	08182	2-31
01686	2-37			08346	2-153
01691	3-57, 3-59			08708	2-9, 2-11, 2-15, 2-19, 2-21, 2-23, 2-33, 2-37, 2-95, 2-99, 2-133, 2-139, 2-141, 2-175, 2-185, 2-187, 2-189, 2-192, 3-41, 3-45
01706	2-109	06946	2-9, 2-11, 2-141		
01987	2-159, 2-161	06948	2-67		
01999	3-49	06949	2-97, 2-101, 2-117		
02247	2-75, 2-135, 2-137, 2-139	06952	2-187	08709	2-15, 2-29, 2-97, 2-101, 2-123, 2-125, 2-135, 2-137, 2-139, 2-173, 2-176, 2-179, 2-185, 2-187, 3-3, 3-5, 3-7, 3-9, 3-11, 3-13, 3-15, 3-17, 3-42, 3-47, 3-51, 3-53, 3-75, 3-79, 3-95
02506-6	3-104	06955	2-15		
02549	2-159	06957	2-176, 2-179, 3-42		
02850	3-31	06961	2-17, 4-49, 4-51		
02931	2-179	06962	2-107, 2-109		
02938	3-109	06963	2-143		
03026	2-91, 2-93, 2-95, 2-97, 2-99, 2-101	06965	2-176, 3-42		
03192	2-17, 2-19, 2-50, 2-107	06966	3-79		
03193	2-33, 2-176, 3-42, 3-57, 3-59	06968	2-50, 2-179		
03922	2-185	06969	2-17, 2-143, 2-153		
04375	3-75, 3-79, 3-95	06972	2-13, 2-29, 2-45, 2-47, 2-49	08711	2-13, 2-45, 2-47, 2-49
04414	2-13, 2-43, 2-45, 2-47	06973	2-31, 2-49	08712	2-153, 4-47
04483	4-44	06993	2-145	08713	2-29, 2-31
04706	2-189	06995	2-145	08714	2-175, 3-41, 3-75, 3-79
04761	2-173, 3-47	07274	3-93	09010	2-176, 3-41
04843	2-33, 3-97, 3-99	07449	2-153	09011	2-29
05611	2-187	07514	2-179	09028	2-37, 3-7, 3-9, 3-15, 3-17
05880	2-103, 2-105	07562	2-91, 2-93, 2-95, 2-99	09081	2-173, 3-47
05881	2-103, 2-105	07592	2-53, 2-55, 2-57	09120	2-179
06121	2-7	07783	2-145	09145	2-139
06146	2-167	07787	2-173, 3-47	09164	2-37
06474A	2-169	07789	2-73	09206	2-187, 3-27, 3-29
06524	2-21	07790	2-17, 2-19, 2-23, 2-123, 2-125, 2-135, 2-137, 2-139, 2-153, 2-167, 2-171, 2-192, 3-45, 3-55	09244	3-3, 3-5, 3-7, 3-9, 3-11, 3-13, 3-15, 3-17, 3-19, 3-21, 3-23, 3-25
06535	2-173, 3-47			09258	2-21, 2-23
06537	2-173, 3-47, 3-75	07791	2-13, 2-17, 2-19, 2-29, 2-45, 2-47, 2-49, 2-55, 2-57, 2-97, 2-101, 2-123, 2-125, 2-141, 2-175, 3-3, 3-5, 3-11, 3-13, 3-41, 3-93	09291	2-173, 3-47
06548	2-175, 3-41, 3-45			09570	2-115
06549	3-3, 3-5, 3-7, 3-9, 3-11, 3-13, 3-15, 3-17, 3-19, 3-21, 3-23, 3-25			09718	2-145
06927	3-31			09740	2-29
06932	3-109			09770	2-173, 3-47
06933	4-49, 4-51	07792	2-9, 2-11, 2-173, 2-176, 2-179, 3-41, 3-47, 3-57, 3-59, 3-75	09806	2-240
06941	2-133			1007162	2-53, 2-55
06942	2-19, 2-73, 2-123, 2-125, 2-187, 2-192			1007343	3-75
		07793	2-19, 2-143, 2-179	1008094	2-53, 2-55, 2-57, 3-93
		07805	2-153	1008510	3-75
		07819	3-75	1008512	3-75
		07934	2-155	1008513	2-55, 3-75, 3-93
				1008519	3-75, 3-93

CROSS REFERENCE

Part Number	Page Number	Part Number	Page Number	Part Number	Page Number
1008538	2-57, 3-75, 3-93	1017080	2-75	1030485	2-117
1008988	2-115	1017085	3-75	1030501	2-109
1011011	2-225	1017102	3-75	1030502	2-109
1011015	2-226	1017218	2-153	1030533	2-109
1011017	2-226	1017239	2-75	1030582	3-79
1011216	2-107, 2-109	1017248	3-3, 3-5, 3-7, 3-9, 3-19, 3-21	1030593	4-47
1011259	2-107	1017250	3-11, 3-13, 3-15, 3-17, 3-23, 3-25	1030601	4-49, 4-51
1011655	2-141	1017270	4-71, 4-73	1030627	3-79, 3-95
1011702	2-99, 2-101	1017272	2-75	1030635	2-57
1011780	2-95, 2-97, 2-99, 2-101	1017292	3-75	1030654	3-79, 3-95
1011788	2-143	1017476	2-75	1030657	3-79
1011795	2-143	1017477	2-75	1030708	3-79, 3-95
1011895	2-115, 2-117	1017500	2-75	1030762	3-79, 3-95
1011899	2-95, 2-97, 2-99, 2-101	1017515	3-75	1031961	2-49
1011941	2-115	1017598	2-75	1032032	2-101
1011942	2-115	1017662	2-75	1032075	2-7
1011943	2-115	1017898	2-171, 3-45	1032083	2-109
1011944	2-107	1018573	2-47, 2-50	1032142	2-109
1011959	2-107	1019188	2-135, 2-137	1032214	2-239
1012012	2-107	1019513	2-55, 3-75, 3-93	1032382	2-59
1012018	2-115	1019939	2-117	1032804	2-67
1012033	2-237	1020982	2-153	1032805	2-83
1012110	2-115	1021797	3-73	1032812	2-117
1012185	2-191	1021799	3-73	1032904	3-79, 3-95
1012248	2-115	1021937	3-61	1033344	2-139
1012250	2-115	1021951	3-61	1033497	2-139
1012469	2-115	1021966	3-61	1033746	2-117
1012634	3-113	1021968	3-61	1033897	2-117
1012656	2-181	1021969	3-61	1033899	2-117
1012657	2-181	1023853	2-137, 2-139	1034105	2-49
1012670	2-191	1026719	2-27, 4-45	1034676	2-117
1012677	2-115	1027798	3-3, 3-5, 3-7, 3-9, 3-11, 3-13, 3-15, 3-17, 3-19, 3-21, 3-23, 3-25	1037311	2-83
1012737	2-131	1027800	3-3, 3-5, 3-7, 3-9, 3-11, 3-13, 3-15, 3-17, 3-19, 3-21, 3-23, 3-25	1037312	2-83
1012754	2-97, 2-101	1028300	2-7	1037313	2-83
1012785	2-143	1028492	2-145	1038176	2-181
1012990	2-107	1028558	2-109	1038293	2-109
1012999	2-107	1028559	2-109	1040835	2-61
1013030	2-115	1028835	2-109	1041034	2-175, 3-41
1013031	2-107, 2-109	1028836	2-109	1041090	2-31
1013086	2-115	1028924	2-117	1041151	2-84
1013113	2-107	1029293	2-117	1041152	2-84
1013116	2-107	1029295	2-117	1041739AM	2-135, 2-137, 2-139
1013117	2-107	1029334	2-50	1042110	2-27
1013344	2-97, 2-101	1029375	2-49	1042969	2-5
1013350	2-65	1029502	2-117	1043095	2-73
1013366	2-97, 2-101	1029649	2-57	1043352	3-65, 3-73, 3-83, 3-89
1013509	2-117	1029737	2-133	1044235	2-41
1013588	2-107	1029996	2-109	1045764	2-135, 2-137, 2-139
1014411	2-45, 2-47, 2-49	1030122	2-109	1046389	2-23
1014456	2-19	1030134	2-109	1049209	2-167, 4-81
1014491	2-169	1030189	2-133	1049210	2-187, 3-45, 4-79
1014595	2-115	1030272	2-50	1049211	2-175, 3-41, 4-82
1015182	3-55			1050295	3-57, 3-59
1015184	3-55			1050584	3-79
1015224	3-55			1050610	3-79
1016556	3-73, 3-89			1050775	2-13
1016560	3-73, 3-89			1050780	4-79, 4-81
1016561	3-73, 3-89			1050781	2-13
				1050786	2-19

CROSS REFERENCE

Part Number	Page Number	Part Number	Page Number	Part Number	Page Number
1050787	2-17	1062084	4-47	10723	5-3
1050809	4-79, 4-81, 4-82	1062092	4-47	10724	5-3, 6-3
1050811	4-79	1062119	4-47	1073030	2-143
1050812	4-79, 4-81	1062143	4-49, 4-51	1073034	2-143
1050861	4-81, 4-82	1062362	2-67	1073553	2-143
1050862	4-81	1062363	2-87	1073601	2-161
1050863	4-81	1062545	2-101	1073602	2-161
1050864	4-81	1062668	2-109	1073603	2-161
1050865	4-81	1062707	4-47	1073801	2-191
1050866	4-81	1062708	4-49, 4-51	1073802	2-97, 2-101
1050867	4-81	10632-12	3-19, 3-21, 3-23, 3-25	1073804	2-19
1050868	4-81			1073805	2-7
1050869	4-81	10632-14	4-47	1073807	2-7
1050870	4-81, 4-82	10632-20	3-3, 3-5, 3-7, 3-9, 3-11, 3-13, 3-15, 3-17	1073811	2-19
1050871	4-81			1073812	2-151
1050872	4-82	10632-4	2-39, 3-3, 3-5, 3-11, 3-13, 3-19, 3-21, 3-23, 3-25, 3-27, 3-29, 3-109	1073814	2-7
1050873	4-82			1073815	2-17
1051078	4-82	10632-5	2-191, 3-31, 3-51, 3-53	1073816	2-19
1051079	4-82			1073817	2-9
1051167	5-13, 6-13	10632-8	3-31	1073818	2-11
1051172	5-13, 6-13	10632-9	3-19, 3-21, 3-23, 3-25	1073819	2-13
1051173	5-13, 6-13			1073820	2-33
1051174	5-13, 6-13	1063653	2-228	1073821	2-33
1051175	5-13, 6-13	1063654	2-228	1073822	2-23
1051245	3-79	1064050	3-3, 3-5, 3-7, 3-9, 3-11, 3-13, 3-15, 3-17	1073823	2-192
1051599	2-139			1073824	2-15
1052092	3-114	1064125	2-149	1073825	2-7
1053518	2-25	1064126	2-149	1073827	2-17
1053585	2-145	1064170	2-161	1073831	2-13
1055106	2-41	1064184	2-192	1073832	2-33
10552	4-71, 4-73, 4-75, 4-77	1064188	2-192, 3-55, 3-109	1073833	2-169
1055893	2-139	1064191	2-192, 3-55	1073834	2-169
1056213	2-139	1064893	4-49, 4-51	1073835	2-169
1057337	2-179	1064894	4-49, 4-51	1073836	2-7
1057338	2-171, 3-45	1064895	4-47	1073837	2-19
1057434	4-47	1064896	4-47	1073838	2-7
1057643	2-179	1065909	4-49, 4-51	1073839	2-7
1057707	2-4	1065921	4-47	1073840	2-7
1057708	2-4	1065954	4-47	1073841	2-31
1057710	2-4	1066218	4-47	1073842	2-35
1057711	2-4	1066313	4-47	1073843	2-35, 3-39
1057885	4-49	1066314	4-47	1073844	2-13
1058254	4-49, 4-51	10664	2-4, 2-165	1073847	2-153
1058256	4-49, 4-51	1066763	3-7, 3-15	1073848	2-19
1058257	4-49, 4-51	1067656	2-97, 2-101	1073858	2-161
1058258	4-49, 4-51	1068383	3-55	1073867	3-59
1058259	4-47	1068804	4-47, 4-49, 4-51	1073868	3-99
1058309	4-49	1068905	2-145	1073869	3-35
1058996	2-189	1069298	4-47, 4-49, 4-51	1073870	3-55
1059997	4-47	1069305	4-47, 4-49, 4-51	1073872	2-33
1060000	4-47	1069309	4-47, 4-49, 4-51	1073873	3-55
1060286	2-109	1070055	4-53	1073876	3-21, 3-25
1060653	2-67, 2-83, 2-87	1070125	3-3, 3-7, 3-11, 3-15	1073877	3-35
1061447	4-49, 4-51	1071056	2-145	1073878	3-39
1061468	4-47	1071253	2-187	1073879	3-39
1061492	4-47	1071254	2-139	1073889	3-47
1061655	4-49, 4-51			1073894	3-5, 3-13
1061949	3-57			1073895	2-33
1062083	4-47			1073903	2-175
				1073904	3-71, 4-61

CROSS REFERENCE

Part Number	Page Number	Part Number	Page Number	Part Number	Page Number
1073905	3-87, 4-65	12271	2-19	19065	2-67, 2-87, 2-187, 3-27, 3-29
1073906	4-57	12273	2-59, 2-153	19066	2-13, 2-15, 2-19, 2-29, 2-33, 2-59, 2-97, 2-101, 2-123, 2-125, 2-137, 2-139, 2-153, 2-167, 2-175, 2-187, 2-189, 2-192, 3-3, 3-5, 3-7, 3-9, 3-11, 3-13, 3-15, 3-17, 3-19, 3-21, 3-23, 3-25, 3-41, 4-49, 4-51
1073907	4-61, 4-65	12274	2-33, 2-179	19117	2-187, 4-34
1073908	3-55	12316	2-121, 2-179	19311	2-45, 2-47, 2-49
1073909	3-5, 3-13	12317	2-175, 3-41	19312	2-67, 2-83, 2-87, 2-107, 2-109
1073912	3-47	12459	2-171, 3-45, 3-69, 3-71, 3-73, 3-85, 3-87, 3-89	19313	2-135, 2-137, 2-139, 2-165, 2-187
1073913	3-47	12549	3-57, 3-59	19315	2-45, 2-47, 2-49, 2-67, 2-83, 2-87
1073921	3-45	130041	2-75	19317	2-67, 2-75, 2-83, 2-87
1073925	3-59	13048	2-61	19459	2-163
1073926	3-103	13124	2-95	19544	2-155
1073927	3-29, 3-53	13248	2-187	19747	2-59
1073928	3-45	13902	4-39, 4-43	19760	2-123
1073929	3-39	13904	4-41, 4-43	19774	2-41
1073930	4-47	13907	4-3, 4-7, 4-13, 4-17	20177	2-55, 2-57, 2-123, 2-125, 3-75, 3-79, 3-93, 3-95
1073931	4-51	13959	3-31	20192	2-173, 3-47
1073932	3-59	14242	2-147	21041	3-97, 3-99
1073933	3-9, 3-17	14296	2-43	21047	3-97, 3-99
1073934	3-5, 3-9, 3-13, 3-17	14595-1	2-153	21054	3-97, 3-99
1073938	3-47	14605	2-153	21104	3-97, 3-99
1073939	2-29	150516	2-75	21109	2-175
1073940	2-29	15331	2-183	21117	2-159, 2-161
1073946	3-37	15543	2-95, 2-99	21119	2-159, 2-161
1073947	3-37	15555-1	2-113	21131	2-17
1073948	3-103	15555-2	4-75, 4-77	21136	2-103, 2-105
1073949	3-103	15675	3-3, 3-5, 3-7, 3-9, 3-11, 3-13, 3-15, 3-17	21138	2-103, 2-105, 2-107
1073950	3-39	15724	2-71	21150	4-49, 4-51
1073959	2-33	16387	2-63, 2-65	21168	2-7, 2-9, 2-11
1074280	2-13	16411	2-4	21195	2-55, 2-57, 2-89, 2-165, 2-189, 3-57, 3-59, 3-93
1074286	2-173	16412	2-4	21197	2-45, 2-47, 2-49, 2-55, 2-57, 2-83, 2-87, 3-93
1074287	2-173	16431	2-159, 2-161	21198	2-45, 2-47, 2-49, 2-153, 3-79
1074288	2-171	16455	2-169	21215	2-173
1074289	2-173	16456	2-27	21221	2-33
1074290	2-173, 3-47	16694	4-33	21223	3-91
1074291	2-173	16695	4-32, 4-33	21230	2-19
1074292	2-173	16695	4-32, 4-33	21231	2-175, 3-41
1074293	2-173	16735	2-33, 2-55, 2-107, 2-151, 3-93	21237	3-75, 3-79, 3-93, 3-95
1074294	3-47	16738	2-61	21238	2-173
1074295	3-47	16930	2-185, 3-73, 3-89		
1074310	3-103	16931	2-13, 2-17, 2-19, 2-23, 2-31, 2-33, 2-107, 2-109, 2-117, 2-123, 2-125, 2-141, 2-143, 2-153, 2-175, 2-185, 3-3, 3-5, 3-11, 3-13, 3-41, 3-51, 3-53, 3-75, 3-76		
1074357	2-185				
1074539	4-51	17414	2-41, 2-71, 2-73, 2-121, 2-123, 2-125		
10819	2-179	17521	2-73		
10830	2-67, 2-83, 2-87	17808	2-147		
10831	2-47, 2-49	17809	2-147		
10911	2-167	17980	2-167, 2-169, 2-187, 3-45		
10959	2-25, 2-27	19035	3-97, 3-99		
11329	2-189				
11399	2-59, 2-63, 2-75, 3-73, 3-89				
11442-1	2-89, 2-121, 2-123, 2-125				
11442-23	2-119, 2-121, 2-125				
11531	2-127, 2-129, 2-131, 2-133, 3-31				
11676	3-97, 3-99				
11716	2-183				
11747	2-33, 3-109				
11984	2-61				
1212666	2-153				
1214251	2-240				

CROSS REFERENCE

Part Number	Page Number	Part Number	Page Number	Part Number	Page Number
21241	2-185	26395-2	3-97, 3-99	32485	2-17, 2-19, 2-50, 2-53, 2-55, 2-57, 2-89, 2-153, 2-171, 2-173, 2-189, 3-45, 3-47, 3-76, 3-79, 3-93, 3-95
21246	3-55	26496	2-119, 2-121, 2-123, 2-125	32486	2-17, 2-19, 2-31, 2-143, 2-145, 2-153, 2-171, 2-179, 2-189, 3-45
21250	3-47	26565	3-97, 3-99	32490	2-17, 2-23, 2-67, 2-83, 2-87, 2-95, 2-99, 2-117, 2-135, 2-139, 2-153, 2-187, 3-3, 3-5, 3-11, 3-13, 3-45, 3-55, 3-69, 3-71, 3-73, 3-85, 3-87, 3-89
21251	3-47	27048	2-73, 2-115, 2-119, 2-121, 2-123, 2-125	32491	2-15, 2-17, 2-19, 2-23, 2-31, 2-33, 2-53, 2-97, 2-101, 2-107, 2-109, 2-117, 2-123, 2-125, 2-129, 2-131, 2-135, 2-137, 2-139, 2-141, 2-143, 2-145, 2-151, 2-153, 2-165, 2-176, 2-185, 2-187, 3-41, 3-47, 3-57, 3-59, 3-75, 3-76, 3-79, 3-95
21252	3-47	27767	2-73	32492	2-9, 2-11, 2-17, 2-25, 2-27, 2-37, 2-45, 2-47, 2-49, 2-53, 2-107, 2-109, 2-135, 2-137, 2-139, 2-143, 2-153, 2-171, 2-173, 2-175, 2-185, 3-7, 3-9, 3-15, 3-17, 3-41, 3-45, 3-47, 3-57, 3-59, 3-73, 3-75, 3-79, 3-89, 4-49, 4-51
21259	2-149	27980	2-50, 2-67, 2-83, 2-87	32493	2-13, 2-21, 2-23, 2-45, 2-47, 2-49
21282	2-9, 2-11	27988	2-189	32495	3-95
21294	2-41	27990	2-135, 2-137, 2-139, 3-93	32491, 2-173	
21301	3-109	27991	2-53, 2-55, 2-57, 3-75	32522	2-13
21303	2-37	27992	3-79, 3-95	32598	2-147
21309	4-47	29233	3-7, 3-15	32668	3-51, 3-53
21313	4-49, 4-51	29570	2-75	32895	2-179
21671	3-106	30013	3-51, 3-53	32899	2-153
21672	2-149	30251	2-179	32960	3-51, 3-53
21722	2-31	30252	2-179	32978	2-115, 2-117, 3-75, 3-79, 3-93, 3-95
21728	4-67, 4-69	30253	2-179	32980	2-57, 2-115, 2-117
21729	2-159, 2-161	30255	2-179	32981	2-59, 2-117, 2-187
21731	2-111, 2-113, 2-115	30268	3-65, 3-73, 3-83, 3-89	32982	2-73, 2-107, 2-109, 3-19, 3-21, 3-23, 3-25
21732	2-111, 2-113, 2-115	30389	2-61, 2-71, 2-73		
21740	2-145	30407	2-123, 2-125		
21791	3-114	30533	3-107		
21792	5-15, 6-15	31038	2-41		
21793	5-15, 6-15	311303	4-47		
21794	5-15, 6-15	311336	2-15, 4-49, 4-51		
21917	4-38, 4-39, 4-43	311828	2-75		
222460	2-175	31354	4-32		
22290	2-189	31380	4-33		
22308-3	2-119, 2-121, 2-123	31385	4-33		
22324	2-121	31507	3-65, 3-73, 3-83, 3-89		
22626	2-145, 4-29	31525	3-75, 3-79, 3-91, 3-93, 3-95		
22629	4-29, 4-31	31526	2-41		
22630	4-29, 4-31	31563	2-159, 2-161		
22636	4-29, 4-31	31603	2-161		
22645	4-29, 4-31	31605	2-167		
22646	4-29, 4-31	31613	2-4, 2-163		
23146	3-97, 3-99	31775	2-151		
23156	2-71, 2-73, 2-121, 2-123, 2-125	31922	3-31		
23498	2-185	31954	3-19, 3-23		
23935	3-109	31999	2-37		
23936	2-175, 3-41	32006	2-37		
23946	2-13	32009	2-37		
23950	2-21	32129	2-167		
24012	2-107, 2-109	32425	2-45, 2-47		
24047	2-119, 2-121, 2-123, 2-125	32436	2-155		
24450	3-65, 3-73, 3-83, 3-89	32483	2-9, 2-11, 2-45, 2-47, 2-49, 2-67, 2-73, 2-87, 2-89, 2-117, 2-133, 2-179, 2-185, 2-187, 3-27, 3-29, 4-47, 4-49, 4-51		
24576	3-27, 3-29				
24576-1	3-31				
24899	2-179				
24924	2-61				
24928-1	2-119, 2-121, 2-123, 2-125				
25014	2-105, 2-107, 2-109				
25046	2-19, 2-59, 2-153, 4-49, 4-51				
25047	2-67, 2-83, 2-87				
25312	3-105				
25610	2-111, 2-113, 2-115				

CROSS REFERENCE

Part Number	Page Number	Part Number	Page Number	Part Number	Page Number
32984	2-135, 2-137, 2-165, 2-187	36268	5-3, 5-6, 6-3, 6-6	371653	4-71, 4-73, 4-75, 4-77
32985	2-145, 2-173, 3-47	36328	2-173, 2-179, 3-47	371654	4-71, 4-73, 4-75, 4-77
32987	2-145	36556	2-169	371658	2-63, 2-76
330120	3-114	36758	2-7, 2-171, 3-45	371660	4-71, 4-73, 4-75, 4-77
330122	3-114	369701	2-145	371661	2-113
330123	3-114	369704	2-17	371662	2-113
33342	3-42	369786	3-57, 3-59	371665	4-71, 4-73
33404	2-181	370011	2-5	371666	4-71, 4-73
33799	2-159, 2-161	370102	5-17, 6-17	371669	4-71, 4-73
33806	2-13, 3-33, 3-35	370103	5-17	371713	4-71, 4-73
33817	2-163	370829	5-9, 6-9	371714	4-71, 4-73, 4-75, 4-77
33924	2-175, 3-41	370847	6-3	371715	4-71, 4-73, 4-75, 4-77
33951	2-61, 2-69	370848	6-3	371716	4-75, 4-77
34072	2-71	370850	6-3	371718	4-71, 4-73, 4-75, 4-77
34159	4-5, 4-9, 4-15, 4-19	370851	6-5	371749	2-75
34176	4-32	370852	6-11	371750	2-75
34178	4-27, 4-29, 4-31	370853	6-11	371754	2-75
34179	4-27, 4-29	370854	6-11	371755	2-75
34180	4-27	370855	6-13	371757	2-75
34181	4-27, 4-29, 4-31	370873	6-3	371759	2-75
34182	4-27	370875	6-24	371761	2-45, 2-47, 2-49
34183	4-27, 4-29, 4-31	370876	5-21, 6-21	371762	2-45
34184	4-27, 4-29, 4-31	370888	6-22	371763	2-63
34185	4-27, 4-29	370889	6-22	371764	2-75
34195	2-171, 3-45	370890	6-22	371765	2-63
34306	2-4, 2-163	370891	6-22	371766	2-63, 2-75
34323	2-9, 2-11, 2-17, 2-23	370892	6-22	371767	2-63, 2-75
34330	2-179	37127	5-11	371768	2-75
34355	2-159, 2-161	371500	2-59	371770	2-53
34359	2-145, 2-181	371502	2-59	371865	2-57
34360	2-159, 2-161	371503	2-59	371875	2-67, 2-83, 2-87
34379	2-159, 2-161	371504	2-59	371877	2-67, 2-83, 2-87
34390	2-163	371505	2-59	371894	2-75, 4-71
34392	2-31	371507	2-45	371895	2-75, 4-73
34738	3-109	371508	2-45, 2-47, 2-49	371896	2-63, 4-75
34821	2-143	371509	2-45, 2-47, 2-49, 2-53, 2-67, 2-83, 2-87, 3-75, 3-93	371897	2-63, 4-77
34848	3-31	371512	2-45, 2-47, 2-49	371899	4-75, 4-77
34864	2-39, 3-109	371516	2-45, 2-47, 2-49	371901	4-75
34877	3-75	371517	2-45	371902	4-75, 4-77
35323	2-5	371518	2-45, 2-47, 2-49	371908	4-75, 4-77
35324	2-5	371519	2-45, 2-47, 2-49	371921	2-222
35325	2-5	371520	2-45, 2-47, 2-49	372235	2-225, 2-227, 2-228
35326	2-5	371526	2-53, 2-55, 2-57, 3-79, 3-93, 3-95	372236	2-225, 2-227, 2-228
35327	2-5	371527	2-53, 2-55, 2-57	372237	2-225, 2-227, 2-228
35336	2-5	371528	2-53	372251	7-7
35586	2-135, 2-137, 2-139	371529	2-53	372440	2-115, 2-117
35688	2-31	371532	2-63	372445	2-47, 2-49
35707	2-123, 2-125	371538	2-63	372456	2-47, 2-49
35756	2-53, 2-55, 2-57, 3-75, 3-79, 3-95	371553	2-67	372457	2-47
35980	2-43	371557	5-5, 5-11	372458	2-47, 2-49
36014	5-23, 6-23	371572	2-45	372464	7-7
36048	5-15, 6-15	371573	2-105, 2-107	372466	2-65, 2-67, 2-83, 2-87
36050	2-4, 2-61, 2-111	371646	2-63, 2-76		
361160	2-7	371647	2-63, 2-76		
36158	3-97, 3-99	371649	4-75, 4-77		
36164	5-21, 6-21	371651	4-71, 4-73, 4-75, 4-77		
36165	2-41, 2-63, 2-75				
36192	2-19				

CROSS REFERENCE

Part Number	Page Number	Part Number	Page Number	Part Number	Page Number
372470	2-67, 2-79, 2-83, 2-87	372950	4-67, 4-69	374154	2-73
372472	2-65, 2-67, 2-79, 2-83, 2-89	372951	4-67, 4-69	374158	2-119, 2-123, 2-125
372473	2-47, 2-49	373201	4-25	374210	3-63, 3-69, 3-71, 3-81, 3-85, 3-87
372474	2-47, 2-50	373207	4-25	374230	2-135, 2-137, 2-139
372479	2-47, 2-49	373211	4-25	374240	2-151
372483	2-65, 2-79	373218	4-7, 4-17	374274	6-24
372484	2-79	373226	4-31	374294	4-47, 4-49, 4-51
372488	2-65	373232	4-25	37460	4-3, 4-7, 4-13, 4-17
372489	2-65, 2-79	373235	4-25	374615	2-71
372490	2-65, 2-79	373236	4-31	37462	4-3, 4-7, 4-13, 4-17
372491	2-107	373242	4-25	374625	2-61
372492	2-65, 2-67, 2-79, 2-84, 2-87	373243	4-25	374648	2-71
372493	2-65, 2-79	373254	2-155, 4-25	374649	2-71
372495	2-79	373255	4-25	374759	4-47
372496	2-79	373256	4-25	374765	4-47, 4-49, 4-51
372497	2-79	373258	4-25	375193	2-43
372498	2-79	373259	4-25	375400	2-171
372500	2-79	373276	4-25	375401	2-171, 3-45
372501	2-79	373284	4-25	375402	2-171
372503	2-79	373291	4-31	375403	3-45
372504	2-79	373369	4-13, 4-17, 4-21	375404	2-171, 3-45
372505	2-79	373371	4-21	375415	2-175, 3-41
372506	2-79	373372	4-21	375416	2-175, 3-41
372507	2-79	373373	4-21	375417	3-45
372508	2-79	373374	4-9, 4-19	375511	2-135, 2-137, 2-139
372510	2-79	373375	4-9, 4-19	375512	3-65, 3-73, 3-83, 3-89
372511	2-79	373404	2-155	375513	2-19
372512	2-79	373405	3-112	375526	2-151
372514	2-79	373406	4-9, 4-19	375537	2-19
372515	2-79	373407	4-7, 4-17	37555	4-33
372516	2-79	373408	4-7, 4-17	375563	2-169, 4-41
372517	2-79	373409	4-7, 4-17	375564	2-33
372518	2-79	373410	4-7, 4-17	375565	2-33
372523	2-79	373412	4-9, 4-19	375566	2-33
372526	2-79	373413	4-9, 4-19	375575	2-145
372527	2-79	373414	4-7, 4-17	375576	2-145
372528	2-79, 2-83, 2-89	373415	4-7, 4-17	375586	2-135, 2-137
372529	2-83, 2-89	373457	4-25	375666	2-175
372531	2-79	373458	4-25	375693	2-21
372539	2-84, 2-89	373464	2-145, 4-31	375695	2-21
372545	2-65, 2-67, 2-79, 2-83	373541	4-31	375696	2-13
372569	2-79	373542	4-31	375698	2-13
372577	2-79	373543	4-31	375718	2-61, 2-69
372579	2-83, 2-87	373544	4-31	375721	2-185
372608	2-79	373545	4-31	375726	3-65, 3-83
372610	2-79	373546	4-31	375728	3-65, 3-73, 3-83, 3-89
372611	2-79	373547	4-31	375729	3-67
372612	2-79	373548	4-31	375751	3-65
372615	2-79	373549	4-31	375762	2-145
372651	2-4, 2-97, 2-101	373584	4-81	37723	4-27, 4-29, 4-31
372652	2-4, 2-97, 2-101	373585	4-81	377537	2-4
372859	2-79	374012	3-97, 3-99	377538	2-4
372860	2-65	374127	2-61, 2-69	377540	2-4
372891	2-65, 2-79	374129	3-65, 3-73, 3-83, 3-89	37766	4-27, 4-29
372899	2-79	374133	3-111	37943	4-27, 4-29, 4-31
372937	2-75	374134	3-63, 3-69, 3-71, 3-111	380514	2-153
		374135	3-63, 3-69, 3-71, 3-111	380532	2-17

CROSS REFERENCE

Part Number	Page Number	Part Number	Page Number	Part Number	Page Number
380533	2-17	380670	4-55, 4-57	385003	2-67, 2-83, 2-87
380544	3-76, 3-79	380671	4-55, 4-57	385004	2-67, 2-83
380563	3-67	380673	3-63, 3-69, 3-71	385006	2-67, 2-83
380566	2-153	380675	2-159	385007	2-67, 2-83
380567	2-153	380676	3-67	385008	2-67, 2-83, 2-87
380568	2-153	380680	2-13	385009	2-117
380576	3-63, 3-69	380681	2-25	385010	2-227
380577	4-47, 4-54	380683	2-153	385011	2-84, 2-89
380578	4-59, 4-61	380684	3-63, 3-69, 3-71	385012	2-83
380579	4-59, 4-61	380685	3-65	385013	2-84, 2-89
380591	2-91, 2-93, 2-95, 2-97, 2-99, 2-101	380686	3-65	385014	2-83
380592	2-91	380689	3-63, 3-69, 3-71, 3-81, 3-85, 3-87	385015	2-83, 2-89
380598	2-43	380690	3-63, 3-69, 3-71, 3-81, 3-85, 3-87	385016	2-83, 2-87
380612	3-81, 3-85	380691	3-19, 3-23, 3-27, 3-29	385017	2-83, 2-87
380613	3-63, 3-69, 4-59	380692	2-13, 4-47	385018	2-227
380614	3-81, 3-85, 4-63	380697	3-67	385019	2-49
380615	3-63, 3-69, 3-71, 3-81, 3-85, 3-87	380702	3-91	385412	2-43
380616	4-59, 4-61, 4-63, 4-65	380709	2-4	385414	2-61
380617	3-63, 3-69, 3-71, 3-81, 3-85, 3-87	380710	2-4	385415	2-61
380618	3-65, 3-83	380712	3-31	385417	2-41
380619	3-63, 3-69, 3-71, 3-81, 3-85, 3-87	380717	2-151	385426	2-43
380620	3-65, 3-83	380728	2-13	385433	2-43
380621	3-65, 3-83	380736	2-163	385439	3-114
380624	3-63, 3-69, 3-71	380748	2-133	386063	2-121
380625	3-63, 3-69, 3-71, 4-55	380754	2-135	388407	4-59, 4-63
380626	4-55, 4-57	380760	2-19	39005	2-17
380627	4-55, 4-57	380761	2-19	391841	2-173
380628	4-55, 4-57	380762	2-19	391890	4-75
380630	3-63, 3-69, 3-71	380763	2-19	391891	4-71
380634	3-55	380764	2-19	39210	2-27, 2-31, 2-163
380635	3-55	381391	2-137, 2-139	392258	2-75
380640	3-27	381962	2-33	392561	2-45
380643	3-19	382507	2-135	392563	2-45
380644	3-23	382516	2-191	392564	2-222
380649	4-59, 4-61, 4-63, 4-65	382726	2-33	392570	2-63, 2-75
380650	4-59, 4-61, 4-63, 4-65	382978	3-27, 3-29	392590	2-129, 2-131, 2-133
380651	4-59, 4-61	382979	3-51, 3-53	392591	2-129, 2-131
380652	4-59, 4-61	383014	2-73	392593	2-113
380659	4-59, 4-61, 4-63, 4-65	383165	2-191	392594	2-113
380660	4-63, 4-65	383170	2-73	392597	2-113
380661	3-63, 3-69, 3-71, 3-81, 3-85, 3-87	384156	4-53	392598	2-115
380662	3-63, 3-69, 3-71, 3-81, 3-85, 3-87	384971	2-83, 2-89	392611	2-53, 2-55, 2-57
380663	3-63, 3-69, 3-71, 3-81, 3-85, 3-87	384973	2-83	392613	3-75
380665	3-63, 3-69, 3-71	384974	2-65, 2-67, 2-79, 2-83, 2-87	392622	2-45, 2-47
380666	4-55	384975	2-83	392629	2-113, 2-115, 2-117
380667	4-55, 4-57	384977	2-83	392642	2-45, 2-47
380668	4-55, 4-57	384978	2-83, 2-89	392647	2-131, 2-133
380669	4-55, 4-57	384979	2-83, 2-89	392649	2-113
		384985	2-67, 2-83, 2-87	39277	2-13, 2-15, 2-31, 2-135, 2-137, 2-139, 2-141, 2-189, 3-75, 3-93
		384986	2-83	39278	2-145
		384996	2-83	39279	2-151
		384998	2-227, 2-228	39283	2-9, 2-11, 2-173, 2-176, 2-179, 3-41, 3-47, 3-76, 3-79
		384999	2-227, 2-228		
		385000	2-67, 2-83, 2-89		
		385001	2-67, 2-83, 2-87		
		385002	2-67, 2-83, 2-87		

CROSS REFERENCE

Part Number	Page Number	Part Number	Page Number	Part Number	Page Number
39284	2-17, 2-37, 2-50, 2-109, 2-171, 2-173, 2-176, 3-41, 3-45, 3-47	393830	7-12	393895	7-3
39285	2-153	393831	7-12	393896	7-3
39305	2-145	393832	7-7	393897	7-3
39311	2-23, 2-173, 3-41, 3-47, 3-75	393833	7-7	393898	2-63, 2-65, 2-75, 2-79, 7-3, 7-5
39312	2-173, 3-47	393834	7-11	393899	7-3
39313	2-19, 2-21, 2-23, 2-29, 2-153	393835	7-11	393900	7-3
393200	2-113	393836	7-11	393901	7-3
393201	3-75, 3-79	393837	7-11	393902	7-3
393205	2-93	393838	7-11	393903	7-3
393207	2-93	393839	7-11	393904	7-3
393208	2-93, 2-95, 2-97	393840	7-11	393905	2-63, 2-65, 2-75, 2-79
393216	2-129	393841	7-11	393906	2-63, 2-65, 2-75, 2-79
393219	3-75	393842	7-11	393907	2-63, 2-65, 2-75, 2-79
393223	3-114	393843	7-11	393908	2-63, 2-65, 2-75, 2-80
393227	2-55, 2-57	393844	7-11	393909	2-63, 2-65, 2-75, 2-80
393229	2-129, 2-131	393845	7-11	393910	2-63, 2-65, 2-75, 2-80
393241	3-93	393846	7-11	393911	2-63, 2-65, 2-75, 2-80
393244	3-75, 3-93	393848	7-9	393912	2-63, 2-65, 2-75, 2-80
393252	2-105	393849	7-9	393913	2-63, 2-65, 2-75, 2-80
393253	2-105	393850	7-9	393914	2-63, 2-65, 2-75, 2-80
393255	3-73, 3-89	393851	7-9	393915	2-63, 2-65, 2-75, 2-80
393349	4-55, 4-57	393852	7-9	393916	2-63, 2-65, 2-75, 2-80
393373	2-97, 2-99, 2-101	393853	7-9	393917	7-3
39346	2-9, 2-11, 2-145	393854	7-9	393918	7-3
39349	2-13, 2-29, 3-3, 3-5, 3-11, 3-13	393855	7-9	393919	7-5
39350	2-145	393856	7-9	393920	7-5
393662	7-7	393857	7-9	393921	7-5
393663	7-7	393858	7-9	393922	7-5
393770	3-27, 3-29, 3-51, 3-53	393859	7-9	393923	7-5
393806	7-7	393860	7-9	393924	7-5
393807	7-7	393861	7-9	393925	7-5
393808	7-7	393862	7-9	393926	7-5
393809	7-7	393863	7-9	393927	7-5
393810	7-7	393864	7-11	393928	7-5
393811	7-7	393865	7-9	393929	7-5
393812	7-7	393866	7-11	393930	7-5
393813	7-7	393867	7-9	393931	7-5
393814	7-7	393868	7-9	393932	7-5
393815	7-7	393869	7-9	393933	7-3
393816	7-7	393870	7-9	393934	2-4, 7-3
393817	7-12	393871	7-9	393935	7-3
393818	7-12	393872	7-7	393936	7-3
393819	7-12	393873	7-11	393937	7-3
393820	7-12	393874	7-11	393938	7-3
393821	7-12	393875	7-11	393939	7-5
393822	7-12	393876	7-11	39394	2-5
393823	7-12	393877	7-11	393940	7-5
393824	7-3, 7-9, 7-11, 7-12	393878	7-11		
393825	7-12	393879	7-11		
393826	7-11, 7-12	393880	7-11		
393827	7-12	393881	7-11		
393828	7-12	393882	7-7		
393829	7-12	393883	7-7		
		393884	7-7		
		393886	7-7		
		393887	7-7		
		393888	7-7		
		393889	7-7		
		393890	7-7		
		393894	7-3		

CROSS REFERENCE

Part Number	Page Number	Part Number	Page Number	Part Number	Page Number
393941	7-5	41139	3-31	44851	2-21, 2-23, 3-55
393942	7-5	41140	3-31	44868	2-167, 3-45
393943	7-5	41141	2-17, 3-51, 3-53	44869	2-167, 2-169, 2-179, 2-187
393945	7-5	41142	2-50, 2-55, 2-57, 3-93	44906	2-135
393946	7-5	41169	2-153	44961	3-109
393947	7-5	41178	2-9, 2-11, 2-91, 2-93, 2-95, 2-99, 3-55	45142	3-65, 3-73, 3-83, 3-89
393948	7-5	41185	2-9, 2-11, 2-17, 2-19, 2-23, 2-171, 3-45	45177	2-91, 2-93, 2-95, 2-99
393949	7-5	41186	2-13, 2-33, 2-55, 2-57, 2-135, 2-137, 2-139, 2-141, 2-143, 2-189, 3-41, 3-75, 3-79, 3-93, 3-95	45272	3-3, 3-7, 3-11, 3-15
393950	7-5	41187	2-165	45482	2-167, 3-45
393951	7-3	41295	2-133	45622	4-27, 4-29, 4-31
393952	7-3	41342	2-173, 2-175, 3-47	45623	4-27, 4-29, 4-31
393953	7-3	41345	2-19	45628	4-32, 4-33
393954	7-3	41346	2-19, 2-179	45779	3-3, 3-7, 3-11, 3-15, 3-19, 3-23
393955	7-3	41346	2-19, 2-179	45780	2-7
393956	7-3	41430	2-19, 2-33, 2-50, 2-135, 2-137, 2-139, 2-153, 2-171, 2-173, 2-176, 2-185, 3-41, 3-45, 3-47, 3-76, 3-79	45786	2-149
393957	7-3	41434	3-57, 3-59	46236	2-151, 3-109
393958	7-3	41722	2-153	46481	2-155, 2-165
393959	7-3	42011	2-53, 2-55, 2-57, 3-109, 4-49, 4-51	46482	3-41
393960	7-3	42124	3-97, 3-99	46611	2-71, 2-73
393961	7-3	42207	2-171	46800	2-135
393962	7-3	42215	2-163, 2-169, 3-41	47167	2-63, 2-75
393963	7-3	42226	2-187	47313A	2-61
393964	7-3	42260	2-163, 2-165	47504	2-139, 2-169, 2-175
393965	7-5	42368	2-115, 2-117	47508	2-155, 2-171, 3-45
393966	7-5	43242	3-65, 3-73, 3-83, 3-89	47512	2-27, 2-135, 2-137, 2-139
393967	7-5	43363	2-7	47522	2-145
393968	2-47	43454	2-39, 3-109	47585	2-189
393972	2-75	43500	2-4, 2-7	47637	3-45
393973	2-45	43555	2-37, 2-91, 2-93, 2-95, 2-99	47638	2-27, 2-169
393975	2-45	43558A	3-65, 3-73, 3-83, 3-89	47720	2-119, 2-121, 2-123, 2-125
393982	2-59	43611	2-123, 2-125	47753	2-139, 3-45
393984	2-45, 2-65, 2-67, 2-79, 2-83, 2-87	43844	2-61, 2-69, 2-113, 2-115, 2-117, 2-133	47958	2-19
393993	7-3	43952	3-57, 3-59	48006	2-19
393994	2-45, 2-47, 2-49, 2-53	43955	2-9, 2-11	48014	2-91, 2-93, 2-95, 2-99
393998	2-53, 2-55, 2-57	43958	2-145	48056	2-135, 2-137, 2-139
394916	2-225, 2-227, 2-228	44078	2-189	48069	2-37
39527	4-32	44681	3-11, 3-15, 3-19, 3-23	48267	2-111, 2-113, 2-115
39534	2-187	44681-1	3-11, 3-15, 3-23	48282	2-121
39670	3-75, 3-79	44681-2	3-11, 3-15, 3-19, 3-23	49032	3-57
39703-2	2-4, 5-3, 6-3	44777	2-15	49263	2-7, 2-189
397779	4-47			49266	2-39, 3-3, 3-5, 3-7, 3-9, 3-11, 3-13, 3-15, 3-17, 3-19, 3-21, 3-23, 3-25, 3-27, 3-29, 3-31, 3-63, 3-69, 3-71, 3-109, 3-111
39810	2-155			49766	3-109
398315	2-217			49933	2-169
39923	2-39, 3-109			49934	2-59
40380	4-27			50121	2-155, 2-163
40514	2-163			50335	2-45, 2-47, 2-49, 2-115, 2-117, 2-121
40573	3-65, 3-73, 3-83, 3-89				
40585	2-111, 2-113				
40607	2-39, 2-71, 3-109				
40678	2-39, 3-109				
40716	2-15				
40870-8	2-185				
41016	2-113, 3-65, 3-73, 3-83, 3-89				
41073	2-145				
41130	2-185				
41131	2-175, 2-183				

CROSS REFERENCE

Part Number	Page Number	Part Number	Page Number	Part Number	Page Number
50474	4-47	54615	2-15	57988	2-169
50902	2-45, 2-47, 2-49, 2-55, 2-57, 2-123, 2-125, 2-135, 2-137, 2-139, 2-179, 2-187, 3-57, 3-59, 3-75, 3-79, 3-93, 3-95	54833	2-145	57993	2-167
50960	2-135, 2-137, 2-139	54862	2-187	57994	2-163
51021N	2-5	54878	2-179	58114	2-185
51109	2-151	54911-32	2-127, 2-129, 2-131, 2-133, 5-3, 6-3	58228	2-135, 2-137, 2-139, 2-185
51176	2-13	55248	3-3, 3-5, 3-7, 3-9, 3-11, 3-13, 3-15, 3-17, 3-19, 3-21, 3-23, 3-25, 3-27, 3-29, 3-63, 3-69, 3-71, 3-111	58242	4-23
51193	2-147	55347	2-45, 2-50	58270	4-32
51305	2-75, 2-133, 2-135, 2-137, 2-139	55586	2-163, 2-179, 2-187	58278	4-32
51322	2-135, 2-137, 2-139, 2-165	55685	2-169	58293	2-25
51338	2-147	55686	2-27	58357	2-37
51340	2-145	55700	2-159, 2-161	58359	2-27
51341	2-145	55779	2-179	58366	2-17, 2-59
51373	2-147	55845	2-19	58489	2-9, 2-21, 2-23
51448	2-179	56185	2-189	58490	4-49, 4-51
51449	2-179	56186	2-192, 3-3, 3-5, 3-7, 3-9, 3-11, 3-13, 3-15, 3-17, 3-19, 3-21, 3-23, 3-25, 3-63, 3-69, 3-71, 3-81, 3-85, 3-87, 3-109	58518	3-3, 3-7
51483	2-151	56346	2-191	58519	3-3, 3-7
51531	3-97, 3-99	56398	2-189	58520	3-3, 3-7, 3-19
51534	2-181	56690	2-115, 2-167, 2-175, 2-189, 3-41, 3-45	58524	2-33
51542	2-5	56692	2-155, 2-187	58589	2-119, 2-121, 2-123, 2-125
51545	2-151	56820	2-145, 2-175	58590	2-119, 2-121, 2-123, 2-125
51560-5	2-97, 2-101	56821	2-139, 2-187	58596	4-37
51562	2-151	56976A	2-119, 2-121, 2-123, 2-125	58844	2-11, 2-17
51564	2-179	56992	2-191, 3-81, 3-85, 3-87	58858	2-155, 2-163
51693	2-183	57048	2-43, 2-45, 2-47, 2-49	58898	2-9, 2-11
51787	2-19, 2-33	57167	2-192, 4-63, 4-65	59015	2-111
51813	2-175, 3-41	57173	2-159, 2-161	59156	3-75
51839	2-71, 2-73, 2-93	57297	2-119, 2-121, 2-123, 2-125	59192	2-19, 2-21, 2-23
52402	2-135, 2-137, 2-139, 2-169	57311	2-151	59305	4-23
53029	2-69, 2-113	57411	2-169	59375	2-41
53268	2-71	57568	2-161	59577	2-167
53395-2	2-121	57751	2-192, 3-55	59633	2-37
53400-1	2-119, 2-121, 2-123, 2-125	57772	2-175	59661	2-19
53400-4	2-119, 2-121, 2-123, 2-125	57773	2-43, 2-45, 2-47, 2-49	59668	2-153
53434	2-179, 4-32	57803	2-192, 3-55	59672	2-153
53461-2	2-17, 2-21, 2-23	57804	2-225, 2-227, 2-228	59676	2-240
53468	2-129, 2-131, 2-133	57807	2-175, 2-181, 2-191, 3-41	59808	2-71
53601	2-145, 4-44	57820	2-21, 2-23	59866	2-27
54009	3-97, 3-99	57934	2-61	59901	3-65, 3-73, 3-83, 3-89
54012	3-97	57936	2-25, 2-27	59921	3-109
54140	2-115	57941	2-7	59954	3-109
54222	2-153	57944	2-159, 2-161	59965	2-25, 3-27, 3-29
54274	2-187	57963	2-159, 2-161, 3-49	59970	2-191
54275A	2-187			59971	2-191
54333	5-3, 6-3			59974	2-191
54396	2-45, 2-47, 2-49, 2-129, 2-131			59976	2-191
54527	2-91, 2-93, 2-95, 2-99			59977	2-191
54528	2-91, 2-93, 2-95, 2-99			59978	2-191
				59979	2-191
				60293	2-141
				60559	2-41
				60725	2-71, 2-73
				60726	2-71, 2-73
				60751	3-31
				60762	2-61
				60806	5-5, 5-6, 6-5, 6-6
				60812	5-22

CROSS REFERENCE

Part Number	Page Number	Part Number	Page Number	Part Number	Page Number
60813	5-22, 6-22	63471	2-145	64655	2-189
60814	5-22, 6-22	63491	2-145	64740	2-75
60817	5-6, 6-6	63496	2-145	64757	4-47
60833	5-5, 5-13, 5-19, 6-5, 6-13, 6-19	63535	2-43	64788	2-4, 2-9, 2-11
60834	6-5, 6-13	63540	2-145	64801	2-9
60836	5-21, 6-21	63541	2-179	64802	2-11
60846	2-4, 5-24, 6-24	63542	2-135, 2-137, 2-139, 4-35	64811	2-179
60933	2-4, 2-91, 2-93, 2-95, 2-99	63543	2-145	64873	2-37
60934	2-4, 2-91, 2-93, 2-95, 2-99	63544	2-7	64874	2-37
60938	5-9, 6-9	63583	2-27	64884	2-13
61288	2-163	63584	2-27	64886	2-145
61363	2-41, 2-53, 2-55, 2-57	63584	2-27	64887	2-145
61365	3-31	63647	2-29	64893	2-31
61490	4-32, 4-33	63663	2-7	64899	2-53, 3-75
61529	2-41	63665	2-29	64905	2-169
61531	2-41	63667	2-29	64919	2-4, 2-7
61869	3-65, 3-83	63668	2-29	64920	2-4, 2-7
61870	3-65, 3-83	63669	2-29	64950	2-151
61882	4-3, 4-7, 4-13, 4-17	63671	2-35	65129	2-151
61886	4-5, 4-9, 4-15, 4-19	63695	2-43, 2-45, 2-47, 2-49	65145-1	2-155
61923	3-27	63751	2-13	65160	2-173, 3-47
61931	2-41	63810	2-61, 2-65, 2-71, 2-73, 2-79, 2-83, 2-89, 2-93, 3-65, 3-73, 3-83, 3-89	65168	2-171
61969	2-181, 2-191	63818	2-135, 2-137, 2-139	65170	2-173
62172	2-169	63926	2-25	65173	2-173, 3-47
62173	2-169	64038	5-17, 6-17	65174	2-171, 2-173, 2-175, 3-41, 3-45, 3-47
62234	2-133	64058	2-149	65180	2-173, 3-47
62389	2-155	64141	2-191	65188	2-159, 2-161
62561	2-155, 4-23	64156	2-27	65191	2-159, 2-161
62595-16	2-13	64228	2-167	65194	2-159, 2-161, 3-49
62595-2	2-15	64233	2-181	65195	2-159, 2-161
62595-3	2-15	64278	2-17	65196	2-159
62865	2-121, 2-125	64279	2-17	65197	2-159, 2-161
62954	2-4, 2-7	64299	2-185	65199	2-159, 2-161
62955	2-4, 2-7	64312	2-19	65202	2-159, 2-161
62956	2-4, 2-7	64392	2-37	65204	2-159, 2-161
62957	2-4, 2-7	64394	2-37	65205	2-159, 2-161
630094	2-41	64410	2-37	65212	2-159, 2-161
63228	3-106	64419	2-165	65213	2-159, 2-161
63233	2-37	64434	2-169	65215	2-163
63234	2-37	64500	2-37	65221	2-165
63263	2-43, 2-45, 2-47, 2-49	64501	2-37	65222	2-165
63276	2-153	64543	2-21, 2-23	65224	2-159, 2-161
63292	2-153	64545	2-21, 2-23	65226	4-23
63294	2-15	64556	2-151	65227	4-27
63295	2-151	64558	2-151	65232	4-33
63297	2-37	64559	2-37	65235	4-37
63311	2-37	64567	2-37	65240	4-43
63378	2-33	64580	2-37	65242	2-189, 4-37
63407	3-112	64586	2-189	65245	2-191
63416	2-135, 2-175, 2-187, 3-41, 3-45, 4-47	64618	2-37, 2-135, 2-137, 2-139, 2-185	65248	2-181
63426	2-145, 4-27	64621	2-37, 2-135, 2-137, 2-139, 2-185	65249	2-181
63436	2-179	64631	2-189	65252	2-19
63449	2-179	64635	2-151	65258	3-33
63450	2-179	64651	2-189	65278	2-33
				65281	2-33
				65527	2-71
				65561	2-175, 3-41
				66020	2-5
				67310	2-155

CROSS REFERENCE

Part Number	Page Number	Part Number	Page Number	Part Number	Page Number
67366	2-143, 2-171, 3-45	70635	2-127, 2-131, 2-133	73648	2-9
67683	3-45	70636	2-127	73649	2-11
67767	2-27, 2-123, 2-125, 2-145	70649	2-5	73650	2-185
68445	3-57, 3-59	70650	2-37	73654	2-4, 2-9, 2-11
68866	2-153	70651	2-37	73678	2-29
68869	2-141, 2-143	70659	3-97, 3-99	73679	2-29
69097	2-69	70668	3-97	73685	2-185
69234	2-50, 2-167, 2-185	70669	3-33	73717	3-75
69904	2-7	70686	3-36	73724	2-7
69906	2-33	70690	3-107	73727	2-39
70006	2-163	70692	3-105	73731	2-145
70072	2-163	70699	3-51	73733	2-145
70160	2-41	70704	2-13	73734	2-37
70173	2-111, 2-113, 2-115	70705	2-240	73736	2-191
70218	2-189	70709	2-189	73737	2-175, 3-41
70219	2-189	70717	2-189	73749	2-29
70284	2-17	70718	2-119, 2-121, 2-123, 2-125	73751	3-7
70388	2-29	70719	2-119, 2-121, 2-123, 2-125	73753	3-15
70398	2-192	70725	2-153	73755	3-3
70400	2-213	70730	2-33	73757	3-11
70402	2-192	70742	2-33	73771	2-29
70407	2-21, 2-23	70747	2-153	73772	2-29
70411	2-192	70749	2-153	73862	2-7
70431	2-173, 3-47	70754	2-127	73863	2-7
70435	2-119, 2-121, 2-123, 2-125	70756	2-13	73870	2-4, 2-9, 2-11
70450	2-13	70761	2-33, 3-57, 3-59	73871	3-97, 3-99
70453	2-4, 2-9, 2-11	70762	2-33	73880	3-97, 3-99
70454	3-33	70767	2-113	73887	2-29
70477	2-111, 2-113, 2-115, 2-117	70775	2-187	73888	2-4, 2-9, 2-11
70478	2-15	70783	2-153	73898	3-3, 3-7, 3-11, 3-15
70506	2-151	70785	3-55	73899	3-3, 3-7, 3-11, 3-15
70517	2-7	70788	3-55	73917	5-3, 5-15, 6-3, 6-15
70521	2-173	70790	2-187	73920	5-3, 6-3
70524	2-173, 3-47	70793	3-38	73921	5-3, 6-3
70525	2-173, 3-47	70802	3-38	73927	5-6, 6-6
70526	2-173, 3-47	70808	2-11	73936	5-6, 6-6
70532	2-175, 3-41	70809	2-9	73937	5-19, 6-19
70536	2-240	70810	2-187	73950	5-3, 6-3
70538	2-5	70815	3-38	73954	5-19, 6-19
70550	2-151	70825	2-185	73958	5-3, 6-3
70597	2-9	70827	2-169	73967	5-19, 6-19
70598	2-11	70832	2-103, 2-105	73970	5-19, 6-19
70603	4-67, 4-69	70843	2-7	73975	5-3
70609	4-67, 4-69	70844	2-7	73977	5-22
70611	4-69	70847	2-169	73978	5-22
70612	4-67	70849	2-71	73979	5-22
70613	4-67, 4-69	70851	3-109	73980	5-22
70615	4-67, 4-69	70851	3-109	73981	5-22
70617	4-67, 4-69	70876	2-61, 2-69	73982	5-22
70618	4-67, 4-69	71552	2-159, 2-161	73995	5-21, 6-5, 6-21
70620	3-55	71725	4-25	73996	5-23, 6-23
70622	2-189	72970	2-189	74000	3-3, 3-5, 3-7, 3-9, 3-11, 3-13, 3-15, 3-17, 3-21, 3-25
70623	2-189	72978	2-93, 3-65, 3-83		
70626	2-173, 3-47	72979	2-71, 2-73, 3-65, 3-83	74007	3-33, 3-35
70627	2-173, 3-47	73017	2-69	74015	2-33
70628	2-21, 2-23	73020	2-71	74022	2-151
70631	2-103	73645	2-7	74040	2-17
		73646	2-185	74045	2-29
				74046	2-29

CROSS REFERENCE

Part Number	Page Number	Part Number	Page Number	Part Number	Page Number
74051	2-153	74240	4-3, 4-7, 4-13, 4-17	75142	3-45
74059	2-173, 3-47	74246	4-29, 4-31	75197	3-73, 3-89
74060	2-173	74250	4-33	75303	2-17
74062	2-9	74251	4-37	75428	2-13
74063	2-11	74253	4-3, 4-13	75456	2-185
74064	2-7	74254	4-3, 4-7, 4-13, 4-17	75456-1	2-185
74066	2-7	74256	4-3, 4-7, 4-13, 4-17	75456-2	2-185
74067	2-7	74257	4-3, 4-7, 4-13, 4-17	75456-3	2-185
74069	2-29	74258	4-3, 4-7, 4-13, 4-17	75456-4	2-185
74074	3-97, 3-99	74259	4-5, 4-9, 4-15, 4-19	75465	2-39, 3-109
74076	2-41	74260	4-5, 4-15	75575	2-151
74081	2-13	74261	4-5, 4-15	75612	2-179
74082	2-135, 2-137, 2-139	74262	4-3, 4-7, 4-13, 4-17	75666	2-91, 2-93, 2-95, 2-97, 2-99, 2-101
74089	2-119, 2-121, 2-123, 2-125	74263	4-3, 4-13	75701	3-97, 3-99
74090	2-175, 3-41	74264	4-5, 4-15	75768	2-45, 2-47, 2-49
74094	4-33	74265	4-3, 4-7, 4-13, 4-17	75828	3-75, 3-91, 3-93
74098	4-29, 4-43	74266	4-3, 4-7, 4-13, 4-17	75854	2-111, 2-113
74100	4-33	74267	4-3, 4-7, 4-13, 4-17	75861	2-25
74101	4-33	74268	4-43	75876	3-97, 3-99
74109	4-37	74270	4-5, 4-9, 4-15, 4-19	75877	3-97, 3-99
74110	4-37	74271	4-5, 4-9, 4-15, 4-19	75881	3-57
74111	4-37	74272	4-3, 4-7, 4-13, 4-17	75883	2-17
74112	4-37	74273	4-3, 4-7, 4-11	75891	2-27
74132	4-27	74274	4-5, 4-9, 4-15, 4-19	75899	3-47
74133	4-27	74275	4-5, 4-9, 4-15, 4-19	75901	3-101, 3-103
74134	4-27, 4-29	74276	4-3, 4-7, 4-13, 4-17	75968	2-189
74135	4-27, 4-29, 4-31	74277	4-5, 4-9, 4-15, 4-19	75989	3-101
74136	4-27, 4-29, 4-31	74278	4-5, 4-9, 4-15, 4-19	76030	3-101, 3-103
74137	4-27, 4-29	74279	4-5, 4-15	76036	3-101, 3-103
74142	2-189	74280	4-3, 4-7, 4-13, 4-17	76038	3-101, 3-103
74145	4-39	74281	4-3, 4-7, 4-13, 4-17	76049	3-101
74146	4-43	74282	4-5, 4-9, 4-15, 4-19	76055	3-101, 3-103
74148	4-23	74283	4-3, 4-5, 4-7, 4-9, 4-13, 4-15, 4-17, 4-19	76069	3-101, 3-103
74149	4-23	74391	2-175, 3-41	76074	3-101, 3-103
74150	4-23	74402	2-69	76081	3-101, 3-103
74151	4-23	74443	2-61, 2-69	76084	3-101, 3-103
74152	4-23	74455	2-29, 3-57, 3-59, 3-109	76099	3-57, 3-59
74153	4-23	74509	5-15, 6-15	76100	3-101
74154	4-23, 4-25	74516	5-3, 6-3	76285	2-15
74156	4-23	74527	5-15, 6-15	76286	3-97, 3-99
74157	4-23	74536	5-7, 6-7	763025	2-67, 2-87
74158	4-23	74538	5-5, 5-23, 6-5, 6-23	763113	2-185
74159	4-23	74545	5-19, 6-19	763114	2-139
74160	4-23	74548	5-19, 6-19	763116	3-65, 3-73, 3-83, 3-89
74161	4-23, 4-25	74552	5-19, 6-19	76316	2-163
74163	2-155	74561	5-11, 6-11	76321	2-91, 2-93, 2-95, 2-99
74164	3-112	74920	2-7	76338	3-97, 3-99
74174	4-37	74944	2-129, 2-133	763483	4-23
74182	4-37	75010	2-5	76383	2-103, 2-105
74184	4-3, 4-7, 4-13, 4-17	75011	2-5	76384	2-29
74190	4-37	75012	2-31	76385	3-27, 3-51
74194	4-37	75028	2-171	76406	3-97, 3-99
74195	4-37	75046	2-33	76423	3-31
74210	4-3, 4-7, 4-13, 4-17	75047	2-33	76438	2-173, 3-47
74214	4-29, 4-31	75099	3-47	76461	3-45, 3-49
74218	4-37	75117	3-47	76470	2-25
74220	4-29, 4-31	75128	2-17	76471	2-25
74223	4-3, 4-7, 4-13, 4-17				
74233	4-34, 4-35				

CROSS REFERENCE

Part Number	Page Number	Part Number	Page Number	Part Number	Page Number
76474	2-29	77531	2-185	78750	2-127, 2-129, 2-131
76487	2-29	77532	2-185	78772	3-79, 3-95
76490	2-151	77553	2-185	78881	2-69
76491	2-151	77555	3-75, 3-79, 3-91, 3-93, 3-95	78897	2-61
76492	2-13	77558	2-111	78998	3-49
76495	2-13	77569	3-41	79010	2-7
76497	2-159, 2-161	77575	2-167	79019	2-33
76498	2-159, 2-161	77578	2-183	79025	3-109
76516	3-55	77579	2-141	79026	3-109
76522	3-55	77580	2-183	79028	2-13, 2-183
76523	2-153	77583	2-183	79032	2-4
76570	2-109, 2-175, 2-185, 2-187, 3-41, 3-75	77584	2-175, 3-41	79116	2-153
76647	2-153	77593	2-7	79138	2-31
76653	2-151	77597	2-175, 3-41	79139	2-29
76684	3-49	77600	2-175, 3-41	79140	2-145
76736	2-111, 2-113, 2-115	77601	2-175	79151	2-147
767407	2-155	77602	2-141	79152	2-145, 2-147
76762	2-59	77605	2-175, 2-183	79153	2-145, 2-147
76825	2-97	77611	3-36	79155	3-109
768482	2-189	77613	3-36	79156	3-109
76870	2-17	77632	2-4	79157	3-109
76888	2-13, 2-192	77634	2-4	79158	3-109
768897	2-135	77640	2-159, 2-161	79159	3-109
76898	3-57	77641	2-159, 2-161	79160	3-109
76907	2-111, 2-113	77652	3-55	79167	3-109
76955	2-55, 2-57	77669	2-175	79168	3-109
76956	2-53	77674	3-67	79169	3-109
769806	2-75	77680	2-7	79170	3-109
769808	2-63	77682	2-175	79172	3-109
76996	4-47	77711	2-19	79174	3-109
77097	2-31, 2-167, 2-175, 2-181, 2-187, 3-41	77727	2-175, 3-41	79176	3-109
77098	2-139	77734	2-7	79177	3-109
77388	2-33	77738	3-41	79381	2-129, 2-131
77394	2-33	77752	3-42	79506	2-29
77399	2-19	77755	3-101	79591	2-33
77400	2-33	77759	3-101	79593	2-151
77430	2-43, 2-45, 2-47, 2-49	77768	4-67	79594	2-151
77434	2-43, 2-45, 2-47, 2-49	77769	4-69	79596	2-31
77435	2-43, 2-45, 2-47, 2-49	77770	2-147, 4-69	79597	2-29
77452	2-135, 2-137, 2-139	77777	2-7	79600	2-29
77458	3-41	77782	2-7	79608	2-7
77459	2-175, 3-41	77788	2-7	79621	3-45
77463	2-25	77783	3-41	79622	3-45
77471	2-37	77790	2-147, 4-67	79628	5-9, 6-9
77473	2-159, 2-161	77800	4-53	79629	5-9, 6-9
77485	2-169	77801	4-53	79630	5-9, 6-9
77488	2-169	77802	4-53	79631	5-9, 6-9
77490	2-141	77803	4-53	79632	5-9, 6-9
77491	2-169	77804	4-53	79633	5-9, 6-9
77492	2-169	77805	4-53	79634	5-9, 6-9
77493	2-169	77806	4-53	79635	5-9, 6-9
77498	2-169	77807	4-53	79636	5-9, 6-9
77499	2-169	77808	4-53	79638	5-9, 6-9
77516	2-35	77809	4-53	79640	5-9, 6-9
77523	2-35	77811	3-63, 3-69, 3-71, 3-81, 3-85, 3-87	79642	2-159, 2-161
		77812	4-47	79644	3-97, 3-99
		78043	2-111	79646	3-97, 3-99
		78122	2-119, 2-121, 2-123, 2-125	79647	3-97, 3-99
				79648	2-191
				79670	2-7

CROSS REFERENCE

Part Number	Page Number	Part Number	Page Number	Part Number	Page Number
79671	2-7	79957	5-9, 6-9	83664	2-41
79674	3-97, 3-99	79960	5-9, 6-9	83669	5-17, 6-17
79680	2-7	79961	5-9, 6-9	83673	2-43
79708	4-5, 4-15	79962	5-9, 6-9	83674	2-43, 2-45, 2-47, 2-49
79711	4-38, 4-39, 4-43	79963	5-9, 6-9	83677	5-24, 6-24
79719	4-39, 4-43	79964	5-9, 6-9	83678	2-61
79728	4-39, 4-43	79965	5-9, 6-9	83679	2-69
79731	4-38, 4-43	79966	5-9, 6-9	83682	2-61, 2-69
79739	4-38, 4-43	79967	5-9, 6-9	83683	2-61, 2-69
79740	4-38, 4-39, 4-43	79969	5-9, 6-9	83684	2-61, 2-69
79742	4-3, 4-7, 4-13, 4-17	79970	5-9, 6-9	83685	2-61, 2-69
79747	4-3, 4-7, 4-13, 4-17	79972	5-15, 6-15	83686	2-61, 2-69
79748	4-5, 4-9, 4-15, 4-19	79973	5-15, 6-15	83686	2-61, 2-69
79749	4-5, 4-9, 4-15, 4-19	79974	5-15, 6-15	83689	2-43
79750	4-5, 4-9, 4-15, 4-19	79975	5-23, 6-23	83690	2-127, 2-129
79751	4-5, 4-9, 4-15, 4-19	79976	5-15, 6-15	83691	2-127
79752	4-5, 4-9, 4-15, 4-19	80395	2-175, 3-41	83692	2-41
79753	4-5, 4-9, 4-15, 4-19	82063	3-3, 3-7, 3-19	83693	2-211
79754	4-11	82168	2-153	83695	2-212
79755	4-11, 4-21	82200	3-11, 3-15, 3-23	83699	3-48
79756	4-11, 4-21	82509	2-113	83706	3-109
79757	4-11, 4-21	82510	2-113	83707	5-24
79758	4-11, 4-21	82661	2-103, 2-105, 2-109	83729	2-41
79759	4-11	82727	2-19, 4-63, 4-65	83731	2-41
79760	4-11, 4-21	82731	2-41	83732	5-24, 6-24
79761	4-11, 4-21	82733	2-187	83747	2-41
79762	4-11, 4-21	82739	2-39, 3-109	83750	2-41
79763	4-11, 4-21	82820	2-159, 2-161	83853	2-41
79764	4-11, 4-21	82825	2-31	84014	2-167, 4-43
79765	4-11, 4-21	82830	2-155, 2-163, 2-165	84015	2-187, 3-45, 4-38
79766	4-11, 4-21	82832	2-145	84016	2-175, 3-41, 4-39
79767	4-11, 4-21	82835	2-159, 2-161	84103	2-153
79771	4-3, 4-13	82839	2-153	84581	2-171, 3-45
79772	4-21	82843	2-159, 2-161	84659	5-17, 6-17
79774	4-21	82962	3-97, 3-99	84875	5-3
79776	4-11, 4-21	83547	2-35	84876	5-3
79777	4-21	83548	2-35	84877	5-3
79779	4-3, 4-7, 4-13, 4-17	83549	2-25	84878	5-3, 6-3
79781	2-171, 3-45, 4-33	83551	2-25	84879	5-3, 6-3
79782	4-33	83553	2-25, 2-27	84880	5-3, 6-3
79786	4-41	83554	2-25, 2-27	84882	5-3, 5-24, 6-3, 6-24
79787	4-41	83555	2-27	84883	2-4, 5-3, 6-3
79788	4-41	83557	3-38	84884	5-3, 6-3
79789	4-41	83578	2-61, 2-71, 2-73	84885	5-5
79790	4-41	83580	2-61, 2-71, 2-73	84886	5-5
79791	4-41	83581	2-53, 2-55	84887	5-5, 6-5
79792	4-41	83584	2-95, 2-97, 2-99, 2-101	84888	5-5
79793	4-41			84889	5-5, 5-11, 6-5, 6-11
79794	4-41	83591	2-115	84891	5-5, 6-5
79795	4-41	83618	2-31	84892	5-5
79797	4-41	83620	2-35	84893	5-5
79798	4-41	83622	2-35	84894	5-5
79799	4-41	83626	3-38	84895	5-7, 6-7
79812	4-41	83627	3-38	84896	5-7, 6-5, 6-7
79820	4-41	83639	2-61	84897	5-7, 6-7
79822	4-41	83640	2-69	84898	5-7, 6-7
79823	4-41	83641	3-91	84899	5-7, 6-7
79824	4-41	83643	2-111	84900	5-7, 6-7
79872	2-145	83644	2-111	84901	5-7, 6-7
79956	5-9, 6-9	83652	2-41	84902	5-7, 6-7

CROSS REFERENCE

Part Number	Page Number	Part Number	Page Number	Part Number	Page Number
84903	5-7, 6-7	84991	5-15, 6-5, 6-15	9006592	2-115, 2-117
84904	5-7, 6-7	84992	5-15, 6-15	9006618	2-87
84905	5-7, 6-7	84993	5-23, 6-23	9006620	2-89
84906	5-7, 6-7	84994	5-23, 6-23	9006633	2-59
84907	5-6, 6-6	84995	5-15, 6-15	9006635	2-59
84910	5-6, 6-6	84996	5-15, 6-15	9006741	2-139
84911	5-22	84997	5-15, 6-15	9007131	3-27, 3-29
84913	5-22	84998	5-23, 6-23	9007380	2-89
84914	5-22	84999	5-9, 6-9	9007423	2-87
84915	5-19, 6-19	86034	2-151	9007651	3-55
84916	5-19, 6-19	86041	2-41	9008193	2-89
84917	5-19, 6-19	86328	2-113	9008194	2-67, 2-87
84919	5-19, 6-19	86798	2-7	9008645	2-145, 2-155, 2-159, 2-161
84921	5-19, 6-19	86824	2-63	9008799	2-67, 2-87
84923	5-13	86860	2-7	9008800	2-67, 2-87
84924	5-13, 6-13	86877	2-240	9008801	2-67, 2-87
84925	5-13, 6-13	86953	2-153	9008802	2-67, 2-87
84926	5-13, 6-13	87308	2-67, 2-87, 2-89	9008803	2-87
84927	5-13, 6-13	87337	3-107	9008804	2-89
84936	5-19, 6-19	87396	2-111, 2-113, 2-115, 2-117	9008805	2-89
84947	5-13	87515	2-7	9008806	2-87
84950	5-21, 6-21	87536	2-191	9008807	2-87
84951	5-21, 6-21	87579	4-59, 4-61, 4-63, 4-65	9008808	2-87
84952	5-21, 6-21	87583	2-192	9008809	2-89
84953	5-21, 6-21	87631	2-179	9009006	4-49
84954	5-21, 6-21	87866	2-191	9009657	7-11
84955	5-21, 6-21	87948	3-31	9010259	2-50
84956	5-21, 6-21	87972	2-135	9010634	2-87
84957	5-21, 6-21	87972	2-135	9012095	2-187
84958	5-21, 6-5, 6-21	9000355	2-117	9012853	3-21
84961	5-21, 6-21	9000360	2-131	9012854	3-25
84962	5-3, 6-3	9000823	4-71	9012855	3-9
84963	5-11, 6-11	9000845	3-11, 3-13, 3-15, 3-17, 3-23, 3-25	9012856	3-17
84964	5-11, 6-11	9000846	3-3, 3-5, 3-7, 3-9, 3-19, 3-21	9012857	2-13
84965	5-11, 6-11	9000879	3-3, 3-5, 3-7, 3-9, 3-11, 3-13, 3-15, 3-17, 3-19, 3-21, 3-23, 3-25	9012859	2-153
84966	5-11, 6-11	9001070	2-135, 2-137	9012869	3-59
84967	5-11, 6-11	9001183	2-135	9012871	2-13
84968	5-11	9001293	2-153	9012874	2-153
84969	5-11, 6-11	9001554	2-137, 2-139	9012878	3-99
84970	5-11, 6-11	9001702	4-45	9012879	2-23
84971	5-11, 6-11	9002915	3-95	9012880	3-35
84972	5-11	9003391	2-87	9012884	3-39
84973	5-11, 6-11	9003676	5-24	9012885	3-13
84974	5-11, 6-11	9003927	3-114	9012886	3-5
84975	5-11, 6-11	9004327	2-23	9012887	3-55
84976	5-11, 6-11	9004539	2-80	9012889	3-103
84977	5-11, 6-11	9006583	7-5	9012890	3-29
84978	5-11, 5-19, 6-11, 6-19	9006584	7-5	9012891	3-53
84979	5-11, 6-11	9006585	7-5	9012892	3-37
84980	5-11	9006586	2-4, 7-3	9012893	3-71
84981	5-11, 6-11	9006587	7-5	9012896	3-87
84982	5-23, 6-23	9006588	7-5	9012898	4-57
84983	5-5, 5-23, 6-5, 6-23	9006589	2-67, 2-83, 2-87	9012899	4-51
84984	5-23, 6-23	9006591	2-63, 2-67	9013665	2-145
84985	5-15, 6-15			9013902	2-50
84987	5-23, 6-23			9013903	2-49
84988	5-23, 6-23			9013904	2-50
84989	5-23, 6-23				
84990	5-15, 6-15				

PART DESCRIPTION TO PAGE NUMBER CROSS REFERENCE LIST

A

A/C Hose #6 134A, 4-59, 4-61
 A/C Hose#10 134A, 4-59, 4-61
 Actuator, Govnr, Gas/Lpg, 2-61, 2-69
 Actuator, Valve En, 4-5, 4-9, 4-15, 4-19
 Adapter Kit, Manifold, 2-63
 Adapter, Air-Intk, Carb, Gas, 2-61
 Adapter, Air-Intk, Gas/Lpg, 2-45, 2-47
 Adapter, Fltr, Remote, 2-59
 Adapter, Intake, Lpg [3.0l], 2-79
 Adapter, Mtg, Carb [Ford 2.3], 2-61, 2-69
 Adapter, Pump, Water, Mach, 2-41
 Adapter, Throttle Body, 2-79
 Adapter, Valve, 400mm [Bosch], 2-83, 2-87
 Adapter, Valve, Fuel Trim, 2-79
 Adaptor Wldt, Vac Wand, 3-97, 3-99
 Adaptor, Fuelline, 2-115
 Adaptor, Neutral En, 4-21
 Adjuster, Manual, 4-67, 4-69
 Alarm Assy, Backup, 12/48vdc, 3-27, 3-29
 Alarm Kit, Backup / A/V, Ci [800gray], 3-29
 Alternator, 3-91
 Alternator Kit, Hd, Gas/Lpg, Ci[800/810], 3-95
 Alternator, 12vdc 050a Sealed Brush, 2-41
 Alternator, 12vdc, 075a [Valeo], 2-53, 2-55, 2-57
 Alternator, 12vdc, 100A [Brushless], 3-75, 3-93
 Alternator, Se [800/810, 07], 3-79, 3-95
 Angle, 3-97, 3-99
 Angle, Bolt, Latch, 2-21, 2-23
 Angle, Bolt, Latch [800 Gray], 2-23
 Angle, Heat, Shield, 3-75, 3-93
 Angle, Mtg, 2-33, 2-119, 2-121, 2-123, 2-125
 Angle, Mtg, .12 X 1 X 1 X 4.5l, 2-73
 Angle, Mtg, .19 1.00 X 1.00 48.4l 6/.30h, 2-29
 Angle, Mtg, Stil, .12 1.2 1.0 00.8l, 2-41
 Angle, Shield, Heat, 2-55
 Arm Kit, 7-3
 Arm Wldt, M Br, Idler, 2-179
 Arm Wldt, M Br, Motor, 2-179
 Arm Wldt, Pivot, Side Brush, 2-173
 Arm Wldt, Pivot, Side Brush [800 Gray], 2-173
 Arm Wldt, Safety, Sppt, Seat, .38d 10.1l, 2-15
 Arm, Adj, Alternator, 2-53, 2-55
 Arm, Adj, Alternator, 5.0r [Curved], 2-41
 Arm, Adj, Alternator, Hd [800/810 07], 3-79, 3-95
 Arm, Adjmt, Alternator, 2-57
 Arm, Alternator, Hd [Gm3.0l], 3-75, 3-93
 Arm, Cntrl, Pintle, 2-153
 Arm, Control En, 4-3, 4-7, 4-13, 4-17
 Arm, Lift, Hppr, Lower, 2-25
 Arm, Lift, Hppr, W/ Label [800l], 2-25

Arm, Safety, Hppr, W/ Label [800], 2-25
 Arm, Safety, Sppt, Cover, Eng, .31d 14.5, 2-17
 Arm, Tens, 3-75
 Arm, Tens [2008], 3-79
 Arm, Tension, A/C, .18 1.3w 4.2l, 3-75
 Arm, Wiper, Windshield, 4-47
 Arm.Thr.Ball, 5-9, 6-9
 Armature, 5-9, 6-9
 Armrest, Black, 4-49, 4-51

B

Backing Plate Rh, 4-67
 Backplate S/A En, 4-5, 4-9, 4-15, 4-19
 Baffle, 5-3, 6-3
 Balancer, 7-11
 Ball, 4-27, 4-29, 7-3
 Ball En, 4-21
 Ball Joint .375-24, 3-97, 3-99
 Balljoint .375-24 Lh, 3-97, 3-99
 Balljoint, Rod End, 2-145
 Band,Mtg., 2-91, 2-93, 2-95, 2-99
 Bar Kit, Shakr, F/64374, Replmt, 2-37
 Bar Wldt, Brush Pressure, 2-179
 Bar, Equalizer, 2-151
 Bar, Flat, Stil 0.18, 01.00 X 15.0l, 2-17
 Bar, Hex, Stil 0.63, 00.88 .25-28, 2-153
 Bar, Prop, 3-97, 3-99
 Bar, Shakr Stem, 2-37
 Bar, Sppt, Eng Cover, 2-19
 Bar, Stil, 0.12, 01.00 X 08.32l[800 Gray], 2-13
 Battery, 12V, Wet, 2-141
 Battery, Wet, 12vdc 1000cca, 2-143
 Bearing, 2-175, 3-41, 3-47, 4-3, 4-5, 4-7, 4-9, 4-13, 4-15, 4-17, 4-19, 4-32, 5-9, 5-22, 6-9, 6-22
 Bearing Cam., 5-6, 6-6
 Bearing Kit, 7-7, 7-12
 Bearing Kit, .001 U.S., 7-7
 Bearing Kit, .001" #1, 2, 3, 4, 7-11
 Bearing Kit, .001" #5, 7-11
 Bearing Kit, .010" #1, 2, 3, 4, 7-11
 Bearing Kit, .020" #1, 2, 3, 4, 7-11
 Bearing Kit, .025" #5, 7-11
 Bearing Kit, .030" #1, 2, 3, 4, 7-11
 Bearing Kit, Cshft, .010[F2.3/2.5l], 5-13, 6-13
 Bearing Kit, Cshft, .020[F2.3/2.5l], 5-13, 6-13
 Bearing Kit, Cshft, .030[F2.3/2.5l], 5-13, 6-13
 Bearing Kit, Cshft, .040[F2.3/2.5l], 5-13, 6-13
 Bearing Kit, Cshft, Std[F2.3/2.5l], 5-13, 6-13
 Bearing Kit, Std, 7-7
 Bearing Kit, Std #1, 2, 3, 4, 7-11
 Bearing Kit, Std #5, 7-11
 Bearing Thrust, 4-33
 Bearing-Ball, 1.38B 2.83D 0.67W, 2-179
 Bearing-Cone, 1.38Bore 0.72Wth, 2-147
 Bearing-Cone, 1.50Bore 0.75Wth, 2-147
 Bearing-Cone, 2.63Bore 0.87Wth, 2-145
 Bearing-Cup, .433Dia 0.74Wth, 2-145
 Bearing-Cup, 2.56Dia 0.55Wth, 2-147
 Bearing-Cup, 2.72Dia 0.59Wth, 2-147
 Bearing-Flange, 2 Hole 0.50Bore, 2-189
 Bearing, .016 Camshaft, 5-6, 6-6
 Bearing, Ball, 0.67b 1.57d 0.47w, 2-41
 Bearing, Flange .500B, 2-189
 Bearing, Flange .625 Bore, 3-97, 3-99
 Bearing, Flange .875 Bore, 3-47
 Bearing, Needle, 4-37
 Bearing, Needle, 1.13b 1.38d 0.75w, 2-37
 Bearing, Nylon, 3-109
 Bearing&Clr, 1.25B 2.44D 1.41W, 2-179
 Bell Crank, 4-11
 Bell Crank En, 4-21
 Bellcrank Wldt, Pivot, Dir Cntrl, 2-153
 Belt, Seat, 3-107
 Belt, V, 3-91
 Belt, V, [3v] 38.5l [Hc38/41], 3-76
 Belt, V, [3v] 40.0l, 1only [Hc38], 3-75
 Belt, V, [Hc41] 42.0l, 3-75, 3-93
 Belt, V, 38.5l [Hc38], 3-79
 Belt, V, 39.6l [3v, Hc41], 2-55, 2-57
 Belt, V, 40.0l [3v, 1, 2-53
 Belt, V, 45.1l [Hc38], 3-79, 3-95
 Belt, V, 46.4l, Cogged [Hc38], 2-41
 Belt, V, Hc41 40.1L, 3-67
 Belt, V, Hc41 41.1L, 3-67
 Blade, Deflector, 2-4
 Blade, Wiper, Windshield, 4-47
 Block, 3-41
 Block Assy, 5-3, 6-3
 Blower, Heat/Ac, 4-59, 4-61, 4-63, 4-65
 Body, 4-25
 Body Assembly, 4-23
 Body Assy, 4-23
 Bolt, 2-63, 2-65, 2-75, 2-79, 4-27, 4-29, 5-17, 5-19, 6-19, 7-3, 7-5, 7-7, 7-9, 7-11, 7-12
 Bolt (1/4-20x.62), 7-9
 Bolt (5/16-18x5/8), 7-9
 Bolt (1/4-20x1/12 Hex), 7-12
 Bolt (1/4-20x1/12), 7-12
 Bolt (1/4-20x1/2), 7-9
 Bolt (5/16-18x1.5 Hex), 7-12
 Bolt M12, 5-3, 5-6, 6-3, 6-6
 Bolt M12X45, 5-19, 6-19
 Bolt-Conrod-4, 5-22, 6-22
 Bolt-Eye M8-1.25, 3-47
 Bolt-Thru, 5-9, 6-9
 Bolt, (HFH3/8-16x062 280 POR), 7-5
 Bolt, Carriage, .38-16 X 1.00, 2-179
 Bolt, Clutch, 2-45, 2-47, 2-49
 Bolt, Eye, Lift, 2-47
 Bolt, Eye, M8 X 1.25 X 051mm, 05.50 Eye, 2-173

CROSS REFERENCE

- Bolt, Intake Manifold, 2-63, 2-65, 2-75, 2-80
- Bolt, Latch, F/58489/58844, 2-9, 2-11
- Bolt, M6X16.5mm, 5-3, 6-3
- Bolt, M8 X 17 Schd, 5-7, 6-7
- Bolt, M8X12.0mm, 5-23, 6-23
- Bolt, Motor, Hyd, 4-31
- Bolt, Shld, .50d X 0.50, .38-16, 2-7, 2-171, 3-45
- Bolt, Shld, .50d X 1.00, .38-16, 2-37
- Bolt, Starter, 2-45, 2-47, 2-49
- Bolt, U, .25-20 X 2.00, 1.10id, 3-65, 3-73, 3-83, 3-89
- Bolt, M10X40.0mm, 5-11, 6-11
- Bolt, M10X55.0M, 5-15, 6-15
- Bolt, M10X58.0mm, 6-17
- Bolt, M14X55.0M, 5-13, 6-13
- Bolt, M5X20.0M, 5-11, 6-11
- Bolt, M6X27.5mm, 5-11, 6-11
- Bolt, M6X37.5mm, 5-7, 6-7
- Bolt, M6X47.5mm, 5-11, 6-11
- Bolt, M6X52.5mm, 5-11, 6-11
- Bolt, M8X18.0M, 5-23, 6-23
- Bolt, M8X20.0mm, 5-11, 6-11
- Bolt, M8X25.0mm, 5-15, 6-15
- Bolt, M8X53.0mm, 5-23, 6-23
- Bolt, Tens. Sprn, 5-19, 6-19
- Boot, 2-189
- Boot-Circuit Breaker, 2-192
- Boot, 90deg .44id 0.62id 1.69l, Blk, 3-31
- Boot, Bar, Shkr, Fltr [800], 2-37
- Boot, Circuit Breaker, 3-55
- Boot, Circuitbreaker, 2-192, 3-55
- Boot, Str, 0.12id 0.43id 0.25l, Blk, 2-41, 2-53, 2-55, 2-57
- Boot, Switch, 2-191
- Boot, Switch, Ignition, 2-191
- Box Assy, Heat, 4-63
- Box Assy, Heat/Ac, 4-59
- Box Assy, Heater, A/C (See Breakdowns), 3-63, 3-69, 3-81, 3-85
- Box, Mounting, Lever, Vac, 3-97, 3-99
- Brace Wldt, Bmpr, Se [800 Gray], 3-39
- Brace Wldt, Bumper, Se, 3-38
- Bracket, 3-3, 3-7, 3-11, 3-15, 3-27, 3-101, 3-103, 7-3, 7-9
- Bracket [Epr], 2-83
- Bracket Kit, Mtg, Cable, Replmt[800/810], 2-153
- Bracket Wldt, 3-101
- Bracket Wldt, Fan Inlet, 2-185
- Bracket Wldt, Gasspring, 2-17
- Bracket Wldt, Lift, 3-47
- Bracket Wldt, Lift [Gray], 3-47
- Bracket Wldt, Mtg, A/C, 3-75
- Bracket Wldt, Mtg, A/C [800 07], 3-79
- Bracket Wldt, Mtg, Alternator, 2-41
- Bracket Wldt, Mtg, Battery, 2-143
- Bracket Wldt, Mtg, Battery [800 G/Lp/D], 2-143
- Bracket Wldt, Mtg, Eng, 2-43
- Bracket Wldt, Mtg, Eng, Front, Rh, 2-43, 2-45, 2-47, 2-49
- Bracket Wldt, Mtg, Eng, Rear, 2-43, 2-45, 2-47, 2-49
- Bracket Wldt, Mtg, Eng, Rear [2.3ford], 2-43
- Bracket Wldt, Mtg, Guard, Side Brush, 2-173
- Bracket Wldt, Mtg, Headlight, 2-33, 2-35
- Bracket Wldt, Mtg, Headlight [800 B/Gr], 2-33
- Bracket Wldt, Mtg, Ignition Coil [Ford], 2-41
- Bracket Wldt, Mtg, Motor, 2-139, 2-171
- Bracket Wldt, Mtg, Motor [2007], 2-139
- Bracket Wldt, Mtg, Motor [Gray], 3-45
- Bracket Wldt, Mtg, Motor[800 Gray], 2-171
- Bracket Wldt, Mtg, Propel Cable, 2-153
- Bracket Wldt, Mtg, Skirt, Sbdc[800 Gray], 3-103
- Bracket Wldt, Mtg, Valve, 2-169
- Bracket Wldt, Oprtr Station, 2-13
- Bracket Wldt, Pivot, 3-47
- Bracket Wldt, Pivot [Gray], 3-47
- Bracket Wldt, Pivot, Side Brush, 2-173
- Bracket Wldt, Pivot, Side Brush [Gray], 2-173
- Bracket Wldt, Spring, 2-173
- Bracket Wldt, Spring [800 Gray], 2-173
- Bracket Wldt, Steering Tilt, 2-189
- Bracket Wldt, Tank, Lpg, 2-119, 2-121, 2-123, 2-125
- Bracket, Bottom, 7-5
- Bracket, Adjuster, Brake, 2-151
- Bracket, Angle, 2-185, 3-41, 3-47, 3-51
- Bracket, Angle [Gray], 3-29, 3-53
- Bracket, Angle, Mtg, Guard, Side Brush, 3-47
- Bracket, Angle, Mtg, Side Brush, 2-173
- Bracket, Angle, Sppt, Hood, 2-19
- Bracket, Arm, Steering, 2-145
- Bracket, Battery, 2-141
- Bracket, Belt, Guard, A/C, 3-75
- Bracket, Belt, Guard, Ac, 3-67
- Bracket, Box, Relay, 2-67, 2-83, 2-87
- Bracket, Brace, Cntr, 2-17
- Bracket, Brush Lift, Main, 2-181
- Bracket, Channel, Mtg [800 Gray], 3-47
- Bracket, Eng, 2-141
- Bracket, Flasher, 3-31
- Bracket, Fltr, Fuel, 2-115
- Bracket, Fltr, Lpg [6600], 2-75
- Bracket, Frame, 1.0 X 3.50w, 2-7
- Bracket, Guard, Alternator, Hd [800/810], 3-79, 3-95
- Bracket, Guard, Alternator, Hd [Gm3.0], 2-57, 3-75, 3-93
- Bracket, Guide, Arm, Side Brush, Rh, 2-173
- Bracket, Hinge, Door, Lpg [800 Gray], 2-7
- Bracket, Isolator, 2-107
- Bracket, L, 2.20, 2.00, .18T, 1., 2-135, 2-137, 2-139
- Bracket, Latch, Sppt, 4-49, 4-51
- Bracket, Mirror, Mtg, 3-57
- Bracket, Mounting, 2-167
- Bracket, Mounting Motor, 2-187
- Bracket, Mounting, Gearmotor, 3-109
- Bracket, Mounting, Motor, 3-45
- Bracket, Mounting, Skirt, 3-101, 3-103
- Bracket, Mtg, Alternator, Hd,[Gm3.0], 3-75
- Bracket, Mtg, Alternator, Hd[800/810 07], 3-79, 3-95
- Bracket, Mtg, Alternator, Lower [Gm3.0], 2-53, 2-55, 2-57
- Bracket, Mtg, Alternator, Lower,[Gm3.0], 3-93
- Bracket, Mtg, Battery, 2-141
- Bracket, Mtg, Eng, Front, Rh [Ford], 2-43
- Bracket, Mtg, Eng, Lh, 2-45, 2-47, 2-49
- Bracket, Mtg, Eng, Rear, Lh, 2-43, 2-45, 2-47, 2-49
- Bracket, Mtg, Eng, Rear, Rh, Dsl, 2-43, 2-45, 2-47, 2-49
- Bracket, Mtg, Eng, Rh, 2-45, 2-47, 2-49
- Bracket, Mtg, Fltr, Oil, W/ Label [800], 2-135
- Bracket, Mtg, Fltr, Oil, W/Label [800], 2-135, 2-137, 2-139
- Bracket, Mtg, Ftg, 2-31
- Bracket, Mtg, Fuelline, 2-113
- Bracket, Mtg, Govnr, 2-61, 2-69
- Bracket, Mtg, Heat Shield, 2-107, 2-109
- Bracket, Mtg, Ignition Module, 2-41
- Bracket, Mtg, Isolator, 2-107
- Bracket, Mtg, Isolator [800/810 07], 2-109
- Bracket, Mtg, Isolator [Gm3.0l 2010], 2-89
- Bracket, Mtg, Light [800 Gray], 3-5, 3-13
- Bracket, Mtg, Light, Rotating, 3-7, 3-15
- Bracket, Mtg, Light, Rotating [800 Gray], 3-9, 3-17
- Bracket, Mtg, Lower, Light, Revl/Fish, 3-5, 3-13
- Bracket, Mtg, Mirror, 3-57
- Bracket, Mtg, Mirror [800 Gray], 3-59
- Bracket, Mtg, Mirror, Rearview[800 Gray], 3-59
- Bracket, Mtg, Ohg, 3-33
- Bracket, Mtg, Ohg [800 Gray], 3-35
- Bracket, Mtg, Propel Cable, 2-153
- Bracket, Mtg, Side Panl Lh [800], 2-33
- Bracket, Mtg, Side Panl Rh [800], 2-33
- Bracket, Mtg, Skirt, 2-29
- Bracket, Mtg, Tank, Coolant F/87972, 2-135
- Bracket, Mtg, Valve, 2-187
- Bracket, Mtg, Valve, Cntrl, Heater, 3-65, 3-73, 3-83, 3-89
- Bracket, Mtg, Valve, Control, Heater, 3-65, 3-83
- Bracket, Mtg, Vaporizer, 2-71
- Bracket, Pivot, Hinge, Door, Lpg, 2-7
- Bracket, Pump, Fuel, 2-111, 2-113, 2-115
- Bracket, Retainer, Battery, 2-143
- Bracket, Retainer, Battery [800 G/Lp/D], 2-143
- Bracket, Side Brush, Valve, 3-41

Bracket, Spring, 3-47
 Bracket, Spring [Gray], 3-47
 Bracket, Stand-Off, Fltr, Air, 2-97, 2-101
 Bracket, Stand-Off, Fltr, Air [800 B/Gr], 2-97, 2-101
 Bracket, Starter, 2-45, 2-47, 2-49
 Bracket, Steering, Machining, 2-145
 Bracket, Steering, Machining (Replaced by 375534), 2-145
 Bracket, Tail Pipe, 2-103, 2-105, 2-107
 Bracket, Tailpipe, 2-107
 Bracket, Tailpipe [800/810 2007], 2-109
 Bracket, Top, 7-5
 Bracket,A/C Dryer, 4-55, 4-57
 Brake Assy, Drum, Hyd, 08.0d 1.6w Lh, 4-69
 Brake Assy, Drum, Hyd, 08.8d 1.6w Rh, 4-67
 Brake Assy, Lh (See Breakdowns), 2-147
 Brake Assy, Rh (See Breakdowns), 2-147
 Breaker-Circuit, 2.5 Resetbl, 2-192
 Breaker-Circuit, 15 Resetbl, 2-192
 Breaker-Circuit, 15 Resettable, 3-55
 Breather Cap, 5-21, 6-21
 Breather Cap and Gasket, 2-163
 Breather, Hyd, 2-163
 Breather, Hyd 40Mic NO DS, 2-4
 Brg-Conn.Rod, 5-22
 Brkt,Mtg,Htr Coil, 4-63, 4-65
 Brush Holder, 5-9, 6-9
 Brush-Outsd -Polypropylene, 2-5
 Brush-Patrl -Nylon, 2-5
 Brush-Side Swp -Assy-Nylon, 2-5
 Brush-Side Swp -Assy-Polypropylene, 2-5
 Brush-Side Swp -Nylon, 2-5
 Brush-Side Swp -Polypropylene, 2-5
 Brush-Side Swp -Assy-Flat Wire, 2-5
 Brush-Side Swp -Flat Wire, 2-5
 Brush-Sweep -Nylon (24SR), 2-5
 Brush-Sweep -Nylon (8DR), 2-5
 Brush-Sweep -Polypropylene, 2-5
 Brush-Sweep -Polypropylene&Wire, 2-5
 Brush-Sweep -Wire, 2-5
 Brush, Swp, Wedge, Polypropylene, 2-5
 Bshg,Flange,0.62Bx0.68Od,Nylon, 3-57, 3-59
 Bulb, 3-19, 3-23
 Bulb, #194, 3-31
 Bulb, 12V, 3-3, 3-7, 3-11, 3-15
 Bumper Assy, Se, 3-38
 Bumper Kit, Se, Ci [800I Gray], 3-39
 Bumper Wldt, Lh, 2-35
 Bumper Wldt, Lh [800 Gray], 2-35
 Bumper Wldt, Rear, Gas/Dsl, 2-7
 Bumper Wldt, Rear, Gas/Dsl [800 Gray], 2-7
 Bumper Wldt, Rear, Lpg, 2-7
 Bumper Wldt, Rear, Lpg [800 Gray], 2-7
 Bumper Wldt, Rh, 2-35
 Bumper Wldt, Rh [800 Gray], 2-35, 3-39
 Bumper Wldt, Se, Lh, Front [Gray], 3-39
 Bumper Wldt, Se, Rh, Front, 3-38

Bumper Wldt, Se, Rh, Front [Gray], 3-39
 Bumper Wldt, Sppt, Hppr, Lh, 2-35
 Bumper Wldt, Sppt, Hppr, Rh, 2-35
 Bumper Wldt,Se, Lh, Front, 3-38
 Bumper, Corner, Mach, 2-7
 Bumper, Corner, Mach [800 Gray], 2-7
 Bumper, Cover, Hppr, 2-33
 Bumper, Rbr, 0.6d 0.34th 0.3d Tip, 2-19, 2-33
 Bumper, Rbr, 1.5d 1.50th 0.28h, 2-21, 2-23
 Bumper, Rbr, 2.0d 0.75th .38-16, 2-13
 Bumper, Rbr, Adh, 0.50d 0.14th, 4-47
 Bumper, Rubber, 3-7, 3-15, 3-55
 Bushing En, 4-7, 4-17
 Bushing Flng, 4-5, 4-9, 4-15, 4-19, 4-41
 Bushing, Flng, 0.50b 0.56d 0.22l, Nyl, 2-169
 Bushing, Flng, 0.50b 0.59d 0.38l, 2-173
 Bushing, Flng, 0.63b 0.72d 0.25l, 2-33
 Bushing, Isolator, 2-135, 2-137, 2-139, 2-185
 Bushing, Rubber, 2-91, 2-93, 2-95, 2-99
 Bushing, Seal, 4-37
 Bushing, Sleeve, .40b X .50d X 1.06l, 3-75
 Bushing, Sleeve, 0.50b 0.59d 0.50l, Bnz, 2-37
 Bushing, Sleeve, 0.62b 0.72d 0.50l, Fgl, 2-153
 Bushing, Sleeve, 1.00b 1.25d 0.49l, Fgl, 2-31
 Bushing, Sleeve, 1.25b 1.40d 0.38l, Bnz, 2-173
 Bushing, Sleeve, 1.25b 1.40d 1.00l, Fgl, 2-27
 Bushing, Sleeve, 1.25b 1.41d 1.00l, Tef, 2-25, 2-27
 Bushing, Sleeve, 1.51b 1.66d 1.00l, Tef, 2-25
 Bushing, Snap-In, 0.31b 0.41d 0.14th Nyl, 2-33
 Button, Plug 1.25H, 2-192
 Button, Plug, 0.50h .03-.12 [Black Nyl], 3-81, 3-85, 3-87

C

Cab Assy, Oprtr [800 Gray], 3-55
 Cab Assy, Oprtr [800] (See Breakdowns), 3-55
 Cab Wldt [800 Gray], 4-47
 Cab Wldt, 800, 4-47
 Cable, 3-45
 Cable Assy-Batt,Pos, 48.0, 2Ga, 2-141
 Cable Kit, Brush, Side, Lh, Ci [800I], 3-45
 Cable Kit, Brush, Side, Rh, Ci [800I], 2-171
 Cable Tie Mount, 3-3, 3-5, 3-7, 3-9, 3-11, 3-13, 3-15, 3-17
 Cable, 06ga 13.0l Blk, 2-43, 2-45, 2-47, 2-49
 Cable, Battery, 02ga 36.0l Blk .38ring, 2-143

Cable, Battery, 02ga 48.0l Red .41ring, 2-143
 Cable, Brake, Park, 2-151
 Cable, Cntrl, Choke, 67.1l, Knob, 2-61
 Cable, Cntrl, Choke, 85/90l 1.4d Knob, 3-65, 3-73, 3-83, 3-89
 Cable, Glv .13d 021.0l 330eye /330eye, 2-19
 Cable, Glv .19d 020.3l .44ball /.50eye, 2-171
 Cable, Glv .25d 016.8l .64eye /.64eye, 2-175, 3-41
 Cable, Glv .25d 021.2l .63eye /.63eye, 2-175, 3-41
 Cable, Lift, Main Brush, 2-181
 Cable, Pull, .09d 18.3l .25eye /.25-28, 2-153
 Cable, Push / Pull, 096.0l .25-28/.25-28, 2-153
 Cabletie Mount, Adhesive, 3-19, 3-21, 3-23, 3-25
 Cam Wldt, Limiter, Spd, 2-153
 Camplate S/A En, 4-3, 4-7, 4-13, 4-17
 Camsft.Sensor, 5-11
 Camshaft, 5-19, 6-19, 7-12
 Camshft Sprckt, 5-19, 6-19
 Cap, 7-12
 Cap Assembly En, 4-41
 Cap Screw, 4-33
 Cap Screw En, 4-3, 4-7, 4-13, 4-17
 Cap, Cyl Assy, Master Brake, 2-151
 Cap, Distributor, 7-5
 Cap, End, 4-37
 Cap, Fuel, 2-111
 Cap, Fuel, Tank, 2-117
 Cap, Grease Black Paint, 2-147
 Cap, Oil Filler, 7-3
 Cap, Radiator, 14psi [Stant], 2-135, 2-137, 2-139
 Cap, Screw, 4-37
 Cap, Tank, Fuel, 2.3neck 2.6d, 2-113, 2-115
 Cap, Valve Spring, 7-3
 Cap, Valve Stem, 2-149
 Cap, Vinyl, 2.26 ld X 12.7lg, Blk, 2-41
 Cap, Wheel, Steering, 2-189
 Carb Kit, Repair, 2-69
 Carburetor, Gas [F/ Lrg-423, Vent, Ze], 2-61
 Carburetor, Gas [F/ Lrg-425, Vent, Ze], 2-61
 Carburetor, Lpg [F/ Lrg-423, W/ Gasket], 2-69
 Cart Flow Control CP, 4-43
 Cart, Check Valve CP, 4-43
 Cart, Pilot Cntr, 4-39
 Cart, PSI CN CP, 4-43
 Chain, Coil, Str, 2/0, 09.0l 07 Link, 2-7
 Chain, Jack, #12, 08.5l 11 Links, 3-97, 3-99
 Chain, Link#2/0, 7Links, 2-4
 Chain, Sash, 35, 06.0l 11 Link, 2-7
 Channel Wldt, Mtg, 2-7

CROSS REFERENCE

- Channel Wldt, Mtg, Eng, Rear, 2-43, 2-45, 2-47, 2-49
- Channel, .12, 1.5w 0.5 49.5l, 5/0.4h, 2-7
- Channel, Mtg, Fan Motor, 2-135, 2-137
- Channel, Mtg, Steering Latch, 2-189
- Channel, Retainer, 2-4, 2-145
- Channel, Retainer, Seal, Rear, 2-4
- Channel, Seal, Wndw, 4-47, 4-49, 4-51
- Charge Pmp Adap En, 4-5, 4-9, 4-15, 4-19
- Check Valve, 100 Psi, 3-45
- Circuitbreaker, 20.0a, Thermal, 3-63, 3-69, 3-71, 3-81, 3-85, 3-87
- Circuitbreaker, 15.0a, Resetable, 3-109
- Circuitbreaker, 15A, Resetable, 3-55
- Circuitbreaker, 15A, Restable, 2-192
- Circuitbreaker, 2.5A, Restable, 2-192
- Clamp, 2-63, 7-5, 7-12
- Clamp-Cable, 0.25Dia 0.56Wth, 2-151, 3-109
- Clamp-Cable, 0.38Dia 0.38Wth, 3-97, 3-99
- Clamp-Cable, 0.38Dia 0.62Wth, 2-111
- Clamp-Muffler, For 1.87 Od Tube, 2-103, 2-105
- Clamp-Muffler, For 2.00 Od Tube, 2-103, 2-105
- Clamp-Wormdrive, 0.81- 1.50D, 3-31
- Clamp-Wormdrive, 1.06- 2.00D, 2-127
- Clamp-Wormdrive, 1.62- 3.50D, 2-91, 2-93, 2-95, 2-99
- Clamp-Wormdrive, 2.63- 4.50D, 2-185
- Clamp-Wormdrive, 3.62- 5.50D, 2-185
- Clamp, Cable, 2-145
- Clamp, Cable- Brake, 2-151
- Clamp, Cable, Stil, 0.18d X 0.75w, 1hole, 3-65, 3-73, 3-83, 3-89
- Clamp, Cable, Stil, 0.38d X 0.62w, 1h, 2-113, 2-115
- Clamp, Cable, Stil, 0.44d X 0.62w, 1hole, 2-39
- Clamp, Cable, Stil, 0.69d X 0.62w, 1hole, 2-27, 2-123, 2-125
- Clamp, Cable, Stil, 0.9x1.8x0.62w, 1h, 2-115
- Clamp, Cable, Stil, 1.00d X 0.75w, 1h, 2-167, 2-185
- Clamp, Cable, Stil, 1.00d X 0.75w, 1hole, 2-50
- Clamp, Cable, Stil, 1.0x2.0x0.62w, 1hole, 2-143, 2-171, 3-45
- Clamp, Cable, Stil, 1.25d X 1.00w, 1hole, 2-17, 2-59
- Clamp, Cable, Stil, 1.50d X 0.75w, 1h, 2-113
- Clamp, Cable, Stil, 1.75d X 1.00w, 1h, 2-129, 2-131
- Clamp, Cable, Stil, 1.75d X 1.00w, 1hole, 2-133
- Clamp, Cable, Stil, 2.00d X 0.75w, 1h, 2-115
- Clamp, Cable, Stil, 2.00d X 0.75w, 1hole, 2-117
- Clamp, Cable, Stil, 2.25d X 1.00w, 1h, 3-65, 3-73, 3-83, 3-89
- Clamp, Cable, Stil, 2.25d X 1.0w, 1h, 2-113
- Clamp, Cable, Stil, 3.32d X 0.75w, 2hole, 2-37
- Clamp, Hold Down, 4-67, 4-69
- Clamp, Hose, 1.0, 2-84, 2-89
- Clamp, Hose, Spring Stil, 0.86d X 0.38w, 2-95, 2-97, 2-99, 2-101
- Clamp, Hose, Spring, 0.62d, 2-83, 2-89
- Clamp, Hose, Wormdrive, 5-3, 6-3
- Clamp, Hose, Wormdrive, 0.25-0.62d, 2-113, 2-115
- Clamp, Hose, Wormdrive, 0.25-0.62d, .31w, 2-61, 2-69, 2-117, 2-133
- Clamp, Hose, Wormdrive, 0.50-1.06d, .50w, 2-63
- Clamp, Hose, Wormdrive, 0.56-1.06d, 2-93, 3-65, 3-73, 3-83, 3-89
- Clamp, Hose, Wormdrive, 0.56-1.06d, .56w, 2-61, 2-65, 2-71, 2-73, 2-79, 2-83, 2-89
- Clamp, Hose, Wormdrive, 0.81-1.50d, 3-73, 3-89
- Clamp, Hose, Wormdrive, 0.81-1.50d, .50w, 2-59, 2-63, 2-75
- Clamp, Hose, Wormdrive, 1.06-2.00d, 2-129, 2-131, 2-133
- Clamp, Hose, Wormdrive, 1.25-2.00d, 2-129, 2-131
- Clamp, Hose, Wormdrive, 1.31-3.25d, 2-95
- Clamp, Hose, Wormdrive, 1.31-3.25d, .50w, 2-99
- Clamp, Hose, Wormdrive, 2.25-3.25d, .50w, 2-97, 2-101
- Clamp, Hose, Wormdrive, 2.62-3.50d, 2-37
- Clamp, Hose, Wormdrive, 3.25-4.00d, .50w, 2-97, 2-101
- Clamp, Manifold, 2-63, 2-65, 2-75, 2-80
- Clamp, Muffler, 1.62d, 2-107, 2-109
- Clamp, Valve, Trim [Impco], 2-80
- Clamp, Cable .44D .62Wide, 3-109
- Cleaner, Air Al Se, 2-91, 2-93, 2-95, 2-99
- Clevis, Adj, 0.25pin, 0.25-28 Rh, Pl, 2-153
- Clip Finger Grip, 3-97, 3-99
- Clip, Keeper, Open, 2-123, 2-125
- Clip, Retainer, 4-49, 4-51
- Coil, 7-5
- Coil 12V w/Var CP, 4-43
- Coil, 12V W/Var, 4-38, 4-39
- Coil, Condenser, 4-55, 4-57
- Coil, Evaporator, 4-59, 4-61
- Column, Steering 12", 2-189
- Compressor, A/C, 3-67, 3-75
- Compressor, A/C [2007], 3-79
- Condenser Assy, A/C, 4-55
- Condenser, A/C [Badger Gray], 4-57
- Condenser, A/C, Roof (See Breakdowns), 3-63, 3-69, 3-71
- Condenser, A/C, Roof [R134 Bd, Gray], 4-57
- Conn Rod, 7-7
- Connecting Rd, 5-22, 6-22
- Connector, Ele, Plug, Femal, .156d, 3-51, 3-53
- Connector, Fuel, E90, Qf, 2-117
- Connector, Fuel, Qf, 2-115
- Control Kit, Govnr, Replmt [All Purpose], 2-61, 2-69
- Control, Electronic, Gas, 4-75
- Control, Govnr [All Purpose], 2-61
- Control, Manual, 4-11
- Control, Manual (See Breakdowns), 4-3, 4-7, 4-13, 4-17
- Controller Assy, Rfs, 3-109
- Controller Kit, Lpg, 12vdc, 2-73
- Cooler, Hyd, 24gpm 400btu Of08 13x12x2, 2-165
- Coupler En, 4-5, 4-9, 4-15, 4-19
- Coupling, 3-109
- Coupling, Drive, Flex, 10.3d /15tooth, 2-43
- Coupling, Quickdisc, Lpg, Shwd, 2-119, 2-121, 2-123, 2-125
- Cover, 7-3, 7-7, 7-9, 7-11
- Cover Assy, Hppr, 2-33
- Cover Assy, Hppr [800 B/Green], 2-33
- Cover Wldt, Fuel Inlet, 3-55
- Cover Wldt, Fuel Inlet [800 Gray], 3-55
- Cover Wldt, Hppr, Lh [800 B/Green], 2-33
- Cover Wldt, Hppr, Rh, 2-33
- Cover Wldt, Hppr, Rh [800 B/Green], 2-33
- Cover Wldt, Hppr, Side, Lh, 2-33
- Cover Wldt, Inlet, Fuel (LPG Only), 3-55
- Cover Wldt, Pump, Oil [Lrg423], 2-41
- Cover, Access, Eng, 2-13
- Cover, Access, Front Hppr, 2-29
- Cover, Access, Oprtr Station, Side, 2-13
- Cover, Access, Oprtr Station, Side[Gray], 2-13
- Cover, Access, Side Hppr, 2-29
- Cover, Belt, Timing [Lsg423fd], 2-41
- Cover, Cab Pressurizer, 3-55
- Cover, Cab, Lpg [800 Gray], 3-55
- Cover, Duct, Inlet, Vacfan, 2-29
- Cover, Electrical, 3-109
- Cover, Eng, Top, 2-19
- Cover, Eng, Top [800 B/Green], 2-19
- Cover, Hose, 2-83, 2-89
- Cover, Housing, Electrical, 3-109
- Cover, Latch Assy, Door, 4-49
- Cover, Latch Assy, Door [800 Gray], 4-51
- Cover, Motor, 3-109
- Cover, Pressr, Cab [Gray], 3-55
- Cover, Relay Panel, 2-192
- Cover, Rocker Switch Seal, 2-175, 2-181, 2-191, 3-41
- Cover, Side, Fuel, Gas, W/ Label [800], 2-13
- Cover, Side, Fuel, Gas, W/ Label[800b/G], 2-13
- Cover, Wheel, Steering, 2-189
- Cradle Sub Assy En, 4-7, 4-17

Crankshaft, 7-11
 Crankshaft Assy, 5-13, 6-13
 Crnksft Seal-Rear, 5-13, 6-13
 Crnksft Sprckt, 5-13, 6-13
 Crnkshaft Key, 5-13, 6-13
 Cs, Armrest, Blk, 2-15
 Cs, Fitting, Brs, Str, Pm08/Pf04, 2-75
 Cyl Block Assy (Short Block Assy), 5-3, 6-3
 Cylinder, Hyd, 1.5b 06.3l 01.50strk 2500, 2-175, 3-41
 Cylinder, Hyd, 2.0b 08.0l 04.00strk 2500, 2-181
 Cylinder, Hyd, 2.0b 12.0l 08.00strk 2500, 2-31
 Cylinder, Hyd, 2.0b 15.0l 08.00strk 1500, 2-145
 Cylinder, Hyd, 2.0b 23.8l 14.90strk 2500, 2-27
 Cylinder, Hyd, 2.0b,15.0l, (Replaced by1028492) (See Breakdowns), 2-145
 Cylinder, Hyd, 2.0b,15.0l, Rep.By1028492, 4-44
 Cylinder, Hyd, 4.0b 29.1l 14.50strk 2500, 2-27, 4-45
 Cylinder, Master Brake, 2-151
 Cylinder, Wheel, Brake, 4-67, 4-69

D

Dipstick, 7-7
 Disc, Stl, 0.06, 02.00d, 0.6h, 2-37
 Disk, 3-97, 3-99
 Distributor, 7-5
 Door Assy [800 B/Green], 2-23
 Door Assy [800/810 08], 2-23
 Door Assy, Cab, Replmt [800], 4-49
 Door Assy, Cab, Replmt [800gray], 4-51
 Door Wldt, 2-21
 Door Wldt, Access, Rear W/ Grill, 2-19
 Door Wldt, Access, Rear, W/ Grill [B/Gr], 2-19
 Door Wldt, Brush, Lh, 2-9
 Door Wldt, Brush, Lh [800 Gray], 2-9
 Door Wldt, Brush, Rh, 2-11
 Door Wldt, Brush, Rh [800 Gray], 2-11
 Door Wldt, Cab, 4-49
 Door Wldt, Cab [800 Gray], 4-51
 Door Wldt, Dump, Hppr, Front, 2-31
 Door Wldt, Dump, Hppr, Front [800 Gray], 2-31
 Door Wldt, Eng, Side, 2-21
 Door Wldt, Eng, Top [800 B/Green], 2-17
 Door Wldt, Eng, Top [800], 2-17
 Door, Bmpr, Lpg, 2-7
 Door, Bumper, Lpg [800 Gray], 2-7
 Dowel, 5-3, 6-3
 Dowel Bushing En, 4-7, 4-17
 Dowel Pin, 4-11
 Dowel Pin En, 4-21
 Dowel,Frnt Cover, 5-3, 6-3
 Drain Cock, .25npt, 2-127

Drain Cock, .25Npt Wh#120 Angl, 2-135, 2-137, 2-139
 Draincock,End.Block, 5-3, 6-3
 Drive, 4-27, 4-29, 4-32, 4-33, 4-37
 Drive Assy, 5-9, 6-9
 Drive Gear Assembly, 4-23
 Drive, Motor, Hyd, 4-31
 Drive, Valve, 4-27, 4-29
 Drum Assy, Brake 9/16, 2-147
 Dryer, Ac, 4-55, 4-57
 Duck Bill, 4-59, 4-61, 4-63, 4-65
 Duct Wldt, Rfs, 3-109
 Duct, Afmkt, Vyl, 0.40 X 0.75 .25d, 04ft, 3-3, 3-5, 3-7, 3-9, 3-11, 3-13, 3-15, 3-17
 Duct, Rear, 2-135, 2-137, 2-139
 Dust Cntrl Kit, Side Brush, Ci[800lgray], 3-103
 Dust Control Kit, Side Brush, 3-101

E

Elbow,90 deg, 5-15, 6-15
 Element, Air Cleaner, 2-91, 2-93, 2-95, 2-99
 Element, Filter Safety, 2-91, 2-93, 2-95, 2-99
 Element, Filter, Air, 2-4
 Element, Fitr, Air, 2-4, 2-37, 2-97, 2-101
 Element, Fitr, Air [Dn], 2-4, 2-97, 2-101
 Element, Fitr, Air, 20.5d 10.8l, 2-37
 Element, Fitr, Fuel, Lpg[Coalescent], 2-75
 Element, Fitr, Oi, 2-59, 2-165
 End Cap, 4-33
 Engine [Ford, 2.5l Reman] (See 2.5L Engine Brkdn), 2-41
 Engine Purch Kit, Lrg423 (See 2.3L Engine Brkdn), 2-41
 Engine, Block, Long [Gm3.0l] (See GM Engine Breakdown), 2-49
 Engine, Gas/Lpg [GM 3.0L] (See GM Engine Breakdown), 2-47
 Engine, Gm, 3.0 Liter, Gas (See GM Engine Breakdown), 2-45
 Engine, Gm, 3.0 Liter, Lpg (See GM Engine Breakdown), 2-45
 Engine, Partial (Includes block, pistons, rods, crankshaft, bearings, rear seal gasket), 7-7
 Exh.Manifold, 5-15, 6-15
 Extinguisher Kit Fire 800, 3-105
 Extinguisher, Fire, 3-105

F

Fan, Condenser, 4-55, 4-57
 Fan, Cooling, 18.0d, 8 Blade, 0.5b Taper, 2-139
 Fan, Radiator, 2-135, 2-137
 Fan, Repair Kit, Reassembly, 2-185
 Ferrule, 2-37
 Filter Assy, Air, 3.0 Inlet, 2-97, 2-101

Filter Assy, Hyd, 10mic 035gpm, Spin-On, 2-165
 Filter Assy, Spin-on, 2-4
 Filter Element, Oil, 5-3, 6-3
 Filter Element, Oil, Cont. Gas-SE, 2-4
 Filter Kit, Fuelock, Lpg, 2-79
 Filter Kit, Fuelock, Lpg, 2-89
 Filter, Air, Pre-Cln, A/C, 2-97, 2-101
 Filter, Fuel, 2-4, 2-111, 2-113
 Filter, Fuel [Gm 1.6l/3.0l], 2-117
 Filter, Fuel, In-Line [02pm/08if], 2-61
 Filter, Fuel, Lpg [Coalescent], 2-75
 Filter, Fuelock, 2-71
 Filter, Fuelock, [Ballwin#4-2384b], 2-121
 Filter, Panel, Heat-A/C, 3-63, 3-69, 3-71, 3-81, 3-85, 3-87
 Filter, Pre-Cleaner, A/C, 2-91, 2-93, 2-95, 2-99
 Fitting, 2-59, 2-75
 Fitting [Gm3.0l], 2-50
 Fitting Kit [Epr], 2-83, 2-89
 Fitting-Brs Str, 2-111
 Fitting, Barb, 3/4" [Epr], 2-87
 Fitting, Brass, Tee, 3-73, 3-89
 Fitting, Brs, Adapter, 2-79
 Fitting, Brs, Breather [02mp], 2-39
 Fitting, Brs, Drain Cock, 2-61, 2-71, 2-73
 Fitting, Brs, E45, Pf06/Pm02, 2-73
 Fitting, Brs, E90, Em05/Pm02, 2-113
 Fitting, Brs, E90, Em10/Pm06, 2-93
 Fitting, Brs, E90, Em10/Pm08, 3-65, 3-73, 3-83, 3-89
 Fitting, Brs, E90, If05/Pm02, 2-113
 Fitting, Brs, E90, If05/Pm04, 4-75, 4-77
 Fitting, Brs, E90, Em05/Pm02, 2-69
 Fitting, Brs, E90, Em05/Pm04, 2-117
 Fitting, Brs, E90, Em10/Pm06, 2-71, 2-73
 Fitting, Brs, E90, If06/Pm04, 2-115
 Fitting, Brs, E90, Pm04/Pf04, 2-115
 Fitting, Brs, Rst, Pf04/.69-16f, .063, 2-75
 Fitting, Brs, Str, Bm05/Pm04, 2-113
 Fitting, Brs, Str, Em10/Pm08, 3-65, 3-73, 3-83, 3-89
 Fitting, Brs, Str, If05/If05, 2-113
 Fitting, Brs, Str, If05/Pm02, 2-113
 Fitting, Brs, Str, .25-28/Spcl [Carb], 2-69
 Fitting, Brs, Str, Bm03/Bm03, Bh, 2-39
 Fitting, Brs, Str, Bm03/Pm02, 2-39, 2-71
 Fitting, Brs, Str, Bm05/Pm04, 2-117
 Fitting, Brs, Str, Bm06/Pm04, 2-75
 Fitting, Brs, Str, Em10/Pm06, 2-73
 Fitting, Brs, Str, If05/If05, 2-115
 Fitting, Brs, Str, If06/If06, 2-115
 Fitting, Brs, Str, Pf06/Pm08, 2-63, 2-75
 Fitting, Brs, Str, Pm02, Service, 2-97, 2-101
 Fitting, Brs, Str, Pm04/Bm05, 2-115
 Fitting, Brs, Tee, Pf08/Pf08/Pf08, 3-65, 3-73, 3-83, 3-89
 Fitting, Brs, Tee, Pf04/Pf04/Pm04, Br, 2-71
 Fitting, Bshg, 2-67, 2-83, 2-89

CROSS REFERENCE

- Fitting, Cap, 2-79
Fitting, Coolant Plug, 4-71, 4-73, 4-75, 4-77
Fitting, Draincock, .25npt, 2-129, 2-131, 2-133
Fitting, Draincock, E90, .25npt, 2-75, 2-133
Fitting, E70, 2-79
Fitting, E90, 2-59, 2-67, 2-79, 2-83, 2-84, 2-87, 2-89
Fitting, Elbow, 2-63, 2-75, 3-63, 3-69, 3-71, 3-81, 3-85, 3-87
Fitting, Fuel Inlet, Lpg, 4-71, 4-73
Fitting, Fuel, Str, 0.38-24 [07 Eng], 2-117
Fitting, Fuel, Str, 0.56-18 [07 Eng], 2-117
Fitting, Hose, 2-63
Fitting, Hose, 10hose/Pm06, 2-79
Fitting, Hose, Vacuum, .25, 2-79
Fitting, Hyd, E45, Jf12/Jm12, 2-155
Fitting, Hyd, E45, Jm06/Om06, 2-145
Fitting, Hyd, E45, Jm08/Om08, 2-187
Fitting, Hyd, E45, Pm04/Pf04, 2-121
Fitting, Hyd, E90, Fm12/Om16, 2-155
Fitting, Hyd, E90, Jf04/Jm04, 2-27, 2-31
Fitting, Hyd, E90, Jf06/Jm06, 2-139, 2-169
Fitting, Hyd, E90, Jf08/Jm08, 2-169, 2-187
Fitting, Hyd, E90, Jm04/Om04, 2-31, 2-187
Fitting, Hyd, E90, Jm04/Om04, Long, 2-31
Fitting, Hyd, E90, Jm04/Om06, 2-27, 2-169
Fitting, Hyd, E90, Jm06/Om04, 2-139
Fitting, Hyd, E90, Jm06/Om08, 2-27
Fitting, Hyd, E90, Jm06/Pm06, 2-59
Fitting, Hyd, E90, Jm08/Om10, 2-139, 2-187
Fitting, Hyd, E90, Jm08/Pm04, 2-75
Fitting, Hyd, E90, Jm10/Pm06, 2-69
Fitting, Hyd, E90, Jm10/Pm08, 2-71, 2-73
Fitting, Hyd, E90, Jm12/Om12, 2-165
Fitting, Hyd, E90, Spcl, 2-89
Fitting, Hyd, E90, Swivel Pf04/Pm04, 2-121, 2-123, 2-125
Fitting, Hyd, Plug, Jm06, 2-59
Fitting, Hyd, Rst, Jf04/Jm04, .047, 2-169
Fitting, Hyd, Rst, Jf04/Jm04, .063, 2-27
Fitting, Hyd, Str, Fm12/Om16, 2-145
Fitting, Hyd, Str, Jf08/Jm06, 2-139
Fitting, Hyd, Str, Jm04/Om04, 2-163, 2-187
Fitting, Hyd, Str, Jm04/Om06, 2-169
Fitting, Hyd, Str, Jm04/Om08, 2-27
Fitting, Hyd, Str, Jm05/Om06, 2-115
Fitting, Hyd, Str, Jm06/Jm08, 2-171
Fitting, Hyd, Str, Jm06/Om04, 2-135, 2-137, 2-139
Fitting, Hyd, Str, Jm06/Om06, 2-115
Fitting, Hyd, Str, Jm06/Om08, 2-169
Fitting, Hyd, Str, Jm06/Om10, 2-171
Fitting, Hyd, Str, Jm06/Pm04, 2-71
Fitting, Hyd, Str, Jm08/Om08, 2-169, 2-187
Fitting, Hyd, Str, Jm12/Om12, 2-165
Fitting, Hyd, Str, Pf02/Pm04, 2-41, 2-71, 2-73
Fitting, Hyd, Str, Pm08/Pm08, 3-65, 3-73, 3-83, 3-89
Fitting, Hyd, Tee, Jf04/Jm04/Jm04, Br, 2-169
Fitting, Hyd, Tee, Jf04/Jm04/Jm04, Run, 2-169
Fitting, Hyd, Tee, Jf06/Jm06/Jm06, Br, 2-135, 2-137, 2-139
Fitting, Hyd, Tee, Jf06/Jm06/Jm06, Run, 2-169, 3-41
Fitting, Hyd, Tee, Jm04/Jm04/Jm04, Bh Br, 2-31
Fitting, Hyd, Tee, Jm08/Jm08/Om08, Br, 2-169
Fitting, Manifold, Intake, 2-63, 2-65, 2-75, 2-80
Fitting, Nipple, .25mal, 2-83, 2-89
Fitting, Nipple, .25npt, Brs, 2-79
Fitting, Pipe, E90, Pf02/Pm02, 2-61
Fitting, Pipe, Plug, Pm02 Soc Head, 4-71, 4-73, 4-75, 4-77
Fitting, Pipe, Plug, Pm04, Hex Soc, 2-75
Fitting, Pipe, Plug, Pm08, Sq Head, 2-73
Fitting, Pipe, Str, Pm04/Pf02, 2-121, 2-123, 2-125
Fitting, Pipe, Str, Pm04/Sf04, 2-125
Fitting, Pipe, Tee, Pf06/Pf06/Pm06, 2-79
Fitting, Plstc, Tee, Bm12/Bm12/Bm12, 3-73, 3-89
Fitting, Plstc, Tee, Bm12/Bm12/Pf08, Br, 2-75
Fitting, Plug, 2-59, 2-135, 2-137, 2-139
Fitting, Plug, .50-20 Hex [Perk], 2-155
Fitting, Plug, Om02, Valve, 4-81
Fitting, Plug, Om04, Valve, 4-81
Fitting, Plug, Om05, Valve, 4-81
Fitting, Plug, Om06, Valve, 4-81, 4-82
Fitting, Str, 2-79
Fitting, Str, E90, .25npt, 2-79
Fitting, Plstc, Str, Bm06/M.69-16, 2-75
Flange, Mounting, 4-32, 4-33
Flange, Brg, 3 Hole, 2-179
Flasher Heavy Duty, 3-31
Flasher, 12v, 3-27, 3-29
Flat Washer, 3/8" Hard, 3-41
Floor Kit, Hppr, Ssb, Ci [800lgray], 3-37
Flywheel, 5-17, 6-17
Flywheel Ring Gear, 5-17
Foam, Insulation, 3-33, 3-35
Follower, Piston, 4-3, 4-7, 4-13, 4-17
Foot, Fan, 4-55, 4-57
Frame Wldt, Main [800l Gray], 2-7
Frame Wldt, Main [800l], 2-7
Frame, Pane, Cab, Side, 4-47
Frame, Pane, Door, Side, 4-49, 4-51
Frame&Mag.As, 5-9, 6-9
Ftg-Brs lf05/lf05, 2-111
Ftg-Brs Str lf05/Pm02, 2-111
Ftg-EI90 Npt/Npt 04Pf/04Pm, 2-119, 2-121, 2-123, 2-125
Ftg-Hyd E45 Jm04/Om04, 2-145, 2-181
Ftg-Hyd E45 Jm12/Jf12, 2-155
Ftg-Hyd E45 Jm20/Jf20, 2-155
Ftg-Hyd E45 Pm04/Pf04, 2-119, 2-121, 2-123, 2-125
Ftg-Hyd E90, 2-163, 2-175
Ftg-Hyd E90 Jm04/Om04, 2-175
Ftg-Hyd E90 Jm04/Jf04, 2-163
Ftg-Hyd E90 Jm04/Om04, 2-167, 2-175, 2-181, 3-41
Ftg-Hyd E90 Jm06/Om06, 2-145
Ftg-Hyd E90 Jm06/Om08, 2-135, 2-137, 2-139
Ftg-Hyd E90 Jm08/Jf08, 2-167, 3-45
Ftg-Hyd E90 Jm08/Om08, 2-167, 3-45
Ftg-Hyd E90 Jm12/Om12, 2-155
Ftg-Hyd E90 Special Jm12/Jf12, 2-163
Ftg-Hyd Plg Om06, 3-41
Ftg-Hyd Plg Om12, 2-163
Ftg-Hyd str, 2-175
Ftg-Hyd Str Jm12/Om16, 2-155
Ftg-Hyd Str Jm04/Om04, 2-179
Ftg-Hyd Str Jm06/Jf08, 3-45
Ftg-Hyd Str Jm06/Om06, 2-167, 2-189, 3-41, 3-45
Ftg-Hyd Str Jm06/Om08, 2-135, 2-137, 2-139
Ftg-Hyd Str Jm06/Om10, 2-155
Ftg-Hyd Str Jm06Om06L, 2-167
Ftg-Hyd Str Jm08/Om08, 2-167, 2-179
Ftg-Hyd Str Jm08/Om10, 2-155
Ftg-Hyd Str Jm08Om08L, 2-167
Ftg-Hyd Str Jm12/Om12, 2-163
Ftg-Hyd Str Jm12Om12L, 2-167
Ftg-Hyd Str Jm20/Om20, 2-155, 2-163
Ftg-Hyd Str Om08/Of06, 3-45
Ftg-Hyd StrJm06/Om10, 3-45
Ftg-Hyd Tee Jm04Jm06, 2-163
Ftg-Hyd Tee Jm06Jmjf, 2-163
Ftg-Hyd Tee Jm06Jm06, 2-163
Ftg-Hyd Tee Jm06Omjm, 3-45
Ftg-Hyd Tee Jm08Jmjf, 2-167, 3-45
Ftg-Hyd Tee Jm12Jfjm, 2-155
Ftg-Hyd Tee Jm12Jmjf, 2-163
Ftg-Str Npt/Npt S04Pf-04Pm, 2-119, 2-121
Ftg-Tee Npt 04Pm- 04Pf- 04Pf, 2-119, 2-121, 2-123, 2-125
Ftg, Breather, 3-109
Ftg, Grease.12 Npt 45 .88L, 2-183
Ftg, Grease.25-28Th 90 .75L, 2-145
Ftg, Shrader, 4-55, 4-57
Ftg,Brass,St Bm03/Pm02, 3-109
Ftg,Brass,Tee 06lf- 02Pm- 06lf, 2-151
Ftg,Bulkhead .25Npt Wh W21204, 2-119, 2-121, 2-123, 2-125
Ftg,Bulkhead-Barb Wh 1074X4, 3-109
Fuel, Fltr [Gm 1.6l/3.0l], 2-115
Fuelline, .31d 05if/05jf Stl, 2-115
Fuelline, .31d Str/E90, Plstc, 2-115

Fuelline, .31d Str/Str, Plstc, 2-115
 Fuelline, .312 Od, 2-111
 Fuelline, .31d 05if/05f, 2-113
 Fuelline, .31d 05if/05if, 2-113
 Fuelline, .31d 05if/Bea, 2-113
 Fuelline, .31d 05if/Qm Stl, 2-115
 Fuelline, .31d E90, 05/06, Plstc, 2-117
 Fuelline, .31d Str/Str, Plstc [8200], 2-117
 Fuelline, .31d Str/Str,Plstc[M20/T20 07],
 2-117
 Fuelline, .38d 06if/06if Stl, 2-115
 Fuelline, .38d 06if/Bea Stl, 2-115
 Fuelline, .38d 06sf/06sf, Stl, 2-71
 Fuelock Kit, Replmt, 2-71
 Fuse, 10 Amp, 2-227, 2-228
 Fuse, 15 Amp, [Min-15], 2-225, 2-227,
 2-228
 Fuse, 20 Amp, [Min-20], 2-225, 2-227,
 2-228
 Fuse, 5 Amp, [Min-5], 2-225, 2-227,
 2-228
 Fuse, 60 Amp, 2-227, 2-228

G

Gas Cap, Protectoseal, 3-104
 Gasket, 2-79, 2-105, 2-107, 7-3, 7-5,
 7-9, 7-11, 7-12
 Gasket Kit, Manifold, 2-63
 Gasket Kit, Repair, Lpg [Gm1.6l 2007],
 2-87
 Gasket Kit, Vacfan, Replmt [800], 2-185
 Gasket Oil, 5-5, 5-11
 Gasket Water Outlet Connection, 5-23,
 6-23
 Gasket, 2.7D 1.5B.12T 5/ 2.1Bc, 2-111
 Gasket, Body, Throttle [1.6l], 2-65, 2-67,
 2-79, 2-83
 Gasket, Box/Cab, 4-59, 4-61, 4-63, 4-65
 Gasket, Cab Pressurizer, 3-55
 Gasket, Carb, 2-65, 2-79
 Gasket, Carb, .03, 1.18id, 2/2.5bc, 2-61,
 2-69
 Gasket, Carb, .06, 2.62id 3.00od, Rbr,
 2-61
 Gasket, Cover, Alum, 3-109
 Gasket, Exh. Flange, 5-15, 6-15
 Gasket, Exhaust, 2 Hole, 3.4bc, 2-107
 Gasket, Exhaust, 2hole, 3.4bc, 2-109
 Gasket, Fire Switch, 2-187
 Gasket, Flng, Exhaust [Gm3.0l], 2-109
 Gasket, Head, 5-5, 5-6, 6-5, 6-6
 Gasket, Hyd Cap, 2-163
 Gasket, Hyd Tank Breather, 2-163
 Gasket, Lpg, Adapter [Gm 2007], 2-83
 Gasket, Lpg, Mixer [Gm 2007], 2-83
 Gasket, Manifold, Exhaust, 2-63, 2-65,
 2-75, 2-80
 Gasket, Manifold, Intake, 2-63, 2-65,
 2-67, 2-75, 2-80, 2-83, 2-87
 Gasket, Send-Unit, 2-113
 Gasket, Sender, Fuel, 2-115, 2-117
 Gasket,Oil Pan, 5-5, 5-11, 6-5, 6-11

Gasket,Rocker Cover, 5-21, 6-21
 Gasspring Assy, Eng Cover, 2-33
 Gauge, Sight Lh, 2-163
 Gauge, Sight, A/C, 3-63, 3-69, 3-71
 Gear, 4-23, 4-25, 7-5, 7-11, 7-12
 Gear Assy, 5-9, 6-9
 Gear Assy, Idler, 4-25
 Gear, [Slip Fit], 4-25
 Gear, Drive, 4-25
 Gear, Idler, 4-23, 4-25
 Gear, Ring [Fd], 6-17
 Gear, Slip Fit, 4-23
 Geroler Set, Motor, Hyd, 4-31
 Geroter,Ring In En, 4-5, 4-9, 4-15, 4-19
 Geroter,Ring Ot En, 4-5, 4-9, 4-15, 4-19
 Geroter Set, 4-27, 4-29, 4-32, 4-33
 Geroter Set Cl, 4-37
 Glass, Pane, Windshield,800 Cab, 4-47
 Governor Assy [Ford, 2.3 Gas, 800], 2-61
 Governor Assy [Ford, 2.3/2.5]
 Rep.Bynone, 2-69
 Governor Assy, Ford 2.5 Gas, 2-61
 Governor, Gas, 2-61
 Governor, Lpg, 2-69
 Grip, Handle, Flat, 3-97, 3-99
 Grommet, 2-45, 2-65, 2-67, 2-79, 2-83,
 2-87, 3-19, 3-21, 3-23, 3-25, 3-27,
 3-29
 Grommet Rbr 0.25ld For .09Matl, 3-31,
 3-51, 3-53
 Grommet, Breather, Oil, 7-3
 Grommet, Cab, Harness, Wire, 3-63,
 3-69, 3-71, 3-81, 3-85, 3-87
 Grommet, Flexible, .25 06.0l, 2-7
 Grommet, Flexible, .25 24.0l, 2-7
 Grommet, Rbr, 0.38 ld For .12mat, 3-19,
 3-21, 3-23, 3-25
 Grommet, Rbr, 0.50id, F/0.8h, .25 Matl,
 2-7
 Grommet, Rbr, 0.56 ld For .13mat, 3-19,
 3-21, 3-23, 3-25
 Grommet, Rbr, 0.62id, F/0.9h, .06 Matl,
 2-39
 Grommet, Rbr, 1.00id, F/1.4h, .12 Matl,
 4-47
 Grommet, Rbr, 3.25id, F/3.5h, .06 Matl,
 2-97, 2-101
 Grommet, Rbr, 3.75ld F/ 4.0H ., 2-91,
 2-93, 2-95, 2-99
 Grommet,Rbr,0.25ld,For .09Matl, 2-191
 Grommet,Rbr,0.38ld,For .06Matl, 3-3,
 3-5, 3-7, 3-9, 3-11, 3-13, 3-15,
 3-17
 Grommet,Rbr,0.62ld,For .06Matl, 3-109
 Grommet,Rbr,0.63ld,For .06Matl, 3-3, 3-5
 Grommet,Rbr,0.63ld,For .13Matl, 3-11,
 3-13
 Grommet,Rbr,0.75ld,For .13Matl, 3-31
 Gskt Kit,Lower, 5-5, 6-5
 Gskt Kit,Upper, 5-5, 6-5
 Gskt-Waterout, 5-5, 6-5
 Gskt,Exh.Mnfl, 5-15, 6-15
 Gskt,Frnt Cvr, 5-5, 6-5

Gskt,Front Cvr, 5-7, 6-7
 Gskt,In.Manfld, 5-5, 6-5
 Gskt,Int.Mnfl, 5-15, 6-15
 Gskt,Oilpmp/Blk, 5-11, 6-11
 Gskt,Pmp/Putube, 5-5, 6-5
 Gskt,Pu Tube, 5-11, 6-11
 Gskt,Rockr Cvr, 5-5, 6-5
 Gskt,Water Pump, 5-5, 5-23, 6-5, 6-23
 Guard Kit, Overhead, 3-33
 Guard Wldt, Alternator, F/60559, 2-41
 Guard Wldt, Brush, Side [800 Gray], 3-47
 Guard Wldt, Hppr, 2-35
 Guard Wldt, Light, Revl/Fish, 3-15
 Guard Wldt, Light, Revl/Fish [800 Gray],
 3-5, 3-9, 3-13, 3-17
 Guard Wldt, Light, Strobe/Fish, 3-3, 3-7,
 3-11
 Guard Wldt, Lights, Strobe & Fish, 3-3,
 3-7, 3-11, 3-15
 Guard Wldt, Ohg [800 Gray], 3-35
 Guard Wldt, Overhead, 3-33
 Guard Wldt, Sidebrush, 3-47
 Guard, Alternator, 3-91
 Guard, Belt, A/C, 3-75
 Guard, Belt, Alternator, 2-53, 2-55
 Guard, Brush, Side .38th 2.0w [800],
 2-173
 Guard, Mirror, 3-57
 Guard, Mirror [Gray], 3-59
 Guard, Side Brush, 3-47
 Guard, Side, Brush [800 Gray], 3-47
 Guide, Align, Bmpr, Pye, 2-7
 Guide, Fltr, Shagr, [800], 2-37

H

Handle, 3-97, 3-99
 Handle, Container, 2-33
 Handle, Lift, Brush, 2-189
 Handle, Valve, Cntrl, 2-133
 Handle, Valve, Hyd, Ctr, 2-169
 Handle, Valve, Hyd, Ctr [800 Gray], 2-169
 Handle, Valve, Hyd, Lh, 2-169
 Handle, Valve, Hyd, Lh [800 Gray], 2-169
 Handle, Valve, Hyd, Rh, 2-169
 Handle, Valve, Hyd, Rh [800 Gray], 2-169
 Harness, Rfs Jumper, 3-109
 Harness, Adapter, Eng, Gas/Lpg [Gm3.0l],
 2-239
 Harness, Adaptor [800/8410], 2-237
 Harness, Alarm, Back-up, 3-27, 3-29
 Harness, Alarm, Backup, 3-19, 3-23
 Harness, Cab (See Fig. 31), 4-47
 Harness, Cab, 800/810, 4-54
 Harness, Directional, 3-31
 Harness, Eng, 2-117
 Harness, Eng [3.0l, Gm, E-cntrl], 2-225
 Harness, Eng, Gas [3.0l 2007], 2-227
 Harness, Eng, Lpg [3.0l 2007], 2-227
 Harness, Gm 3.0 L Engine Harness, 2-222
 Harness, Hopper 800/810, 2-212
 Harness, Hopper, Rfs, 3-109

CROSS REFERENCE

- Harness, Injector, Gas[3.0l Gm,E-Cntrl], 2-226
- Harness, Light, Flsh, Revl, Cab, 3-21, 3-25
- Harness, Lpg Injector [3.0l, Gm,E-Cont], 2-226
- Harness, Main, Gas/LPG, Lrg, 2-211, 2-217, 2-222
- Harness, Motor, Duct, 3-109
- Harness, Neutral, Start, 3-112
- Harness, Side Brush, L.H., 3-48
- Harness, Strobe/Flsh Light,Cab,Ohg, 3-3, 3-5, 3-7, 3-9, 3-11, 3-13, 3-15, 3-17
- Harness, Turn/Rotate/Tail Lights, 2-213
- Harness, Wire, Eng, 6-24
- Harness, Wire, Eng, Gas [Gm 3.0l 10], 2-228
- Harness, Wire, Eng, Lpg [Gm 3.0l 10], 2-228
- Harness,Switch,Oil Press,Ground Wire, 2-47, 2-50
- Head, 7-3
- Head-W/O Valves, 5-6, 6-6
- Headlight, 12vdc, 50watt, 2-33
- Heater [Badger, Gray], 4-65
- Heater [Badger, Gray] (See Breakdowns), 3-87
- Heater / Pressrzs Assy, Roof [800 Gray], 3-87
- Heater & A/C, W/ Fan, Roof, 3-63, 3-69, 3-81, 3-85
- Heater Assy, W/ A/C, Roof [R134, Gray], 3-71
- Heater Coil, 4-59, 4-61, 4-63, 4-65
- Heater, W/ A/C [Badger, Gray], 4-61
- Heater, W/ A/C [Badger, Gray] (See Breakdowns), 3-71
- Hinge, 2-17
- Hinge Wldt, 2-33
- Hinge Wldt [800 Blue/Green], 2-33
- Hinge Wldt, Door, Side, W/ Pin, 2-21, 2-23
- Hinge Wldt, Side, W/ Pin, 2-21, 2-23
- Hinge Wldt, W/ Tube, 2-21, 2-23
- Hook, Cable, .44d Ball, 2-171, 3-45
- Hook, Lift [Gm3.0l 2007], 2-49, 2-50
- Hook, S, .13d 1.0l, 2-7
- Hopper Floor Kit, St Stil 800, 3-36
- Hopper Wldt [800/810], 2-29
- Horn, 12vdc, DbA [Wolo], 2-17
- Horn, Back-up Alarm, 3-27
- Hose, 2-63, 5-3, 6-3
- Hose Assy, Drain, A/C, 3-63, 3-69, 3-71, 3-111
- Hose Kit, Rear Drive, Replmt, 2-145, 2-155, 2-159, 2-161
- Hose-Hyd Med 04, 3-49
- Hose-Hyd Med 06, 3-49
- Hose, 0.50d X 41.00l, 2-59
- Hose, 0050, 04, lM05str /lf05str, 10.0, 2-113, 2-115
- Hose, 9.5mm X 450mm [Pcv], 2-65, 2-79
- Hose, A/C, 06 09.0l, 3-63, 3-69, 3-71
- Hose, A/C, 08 100.0l [R134], 3-65
- Hose, A/C, 08, Str/E90, 112.0l [R134], 3-73
- Hose, A/C, 12 107.0l [R134], 3-65
- Hose, A/C, 12 115.0l [R134], 3-65
- Hose, A/C, 12, Str/E90, 127.0l [R134], 3-73
- Hose, Afmkt, Rbr, Heater, 0.62id, 02ft, 3-73, 3-89
- Hose, Afmkt, Rbr, Heater, 0.62id, 03ft, 3-73, 3-89
- Hose, Afmkt, Rbr, Heater, 0.62id, 08ft, 3-73, 3-89
- Hose, Balancing, Press, 045mm, 2-79
- Hose, Balancing, Press, 680mm, 2-79
- Hose, Conv, 2-75
- Hose, Coolant, 1.50id To 1.75id, Mold, 2-131, 2-133
- Hose, Drain, Eng Oil, 2-59
- Hose, Drain, Overflow, Radiator, 2-137, 2-139
- Hose, Fan Inlet, 2-185
- Hose, Fuel, 0.31id [Evap Emission 07], 2-117
- Hose, Fuel, .38d, Rbr[16"L], 2-67, 2-83, 2-87
- Hose, Fuel, 0.31id 11.0l, 2-113
- Hose, Fuel, 0.31id 14.0l, 2-113
- Hose, Fuel, 0.31id 16.0l, 2-115
- Hose, Fuel, 0.38id, 18.0l, 2-63
- Hose, Fuel, 0.38id, 21.0l, 2-75
- Hose, Fuel, 0.50id, 52.0l, 2-63, 2-65
- Hose, Fuel, 165mm, 2-79
- Hose, Fuel, Jf06e90, 20.3l, 2-115
- Hose, Fuelline, 10.0L, 2-111
- Hose, Heater, 0.38id, 2-63
- Hose, Heater, 0.62id 13.0l, 2-93, 3-65, 3-83
- Hose, Heater, 0.62id 18.0l, 2-95
- Hose, Heater, 0.62id 20.0l, 3-65, 3-83
- Hose, Heater, 0.62id 24.0l, 2-99, 3-65, 3-83
- Hose, Heater, 0.62id 31.0l, 3-65, 3-83
- Hose, Heater, 0.62id 77.0l, 3-65, 3-83
- Hose, Heater, 0.62id 80.0l, 3-65, 3-83
- Hose, Heater, 0.62id, 015.0l Rep.Bynone, 2-71, 2-73
- Hose, Heater, 0.62id, 020.0l, 2-71, 2-73
- Hose, Heater, 0.62id, 024.0l, 2-97, 2-101
- Hose, Heater, 0.62id, 038.0l, 2-61
- Hose, Heater, 0.62id, 053.0l, 2-61, 2-71, 2-73
- Hose, Heater, 0.75id 04.0l, 3-73, 3-89
- Hose, Hyd, Low04, Jf04e90/Jf04str, 048.0, 2-159
- Hose, Hyd, Low04, Jf04e90/Jf04str, 060.0, 2-159
- Hose, Hyd, Low04, Jf04e90/Jf04str, 066.0, 2-159, 2-161
- Hose, Hyd, Low06, Jf06e90/Jf06str, 052.0, 2-161
- Hose, Hyd, Low06, Jf06e90/Jf06str, 060.0, 2-159, 2-161
- Hose, Hyd, Low06, Jf06e90/Jf06str, 086.0, 2-159, 2-161
- Hose, Hyd, Low06, Jf06str/Jf06str, 026.0, 2-59
- Hose, Hyd, Low12, Jf12str/Jf12str, 016.0, 2-159, 2-161
- Hose, Hyd, Low12, Jf12str/Jf12str, 018.0, 2-161
- Hose, Hyd, Low12, Jf12str/Jf12str, 020.0, 2-159
- Hose, Hyd, Low12, Jf12str/Jf12str, 027.0, 2-159, 2-161
- Hose, Hyd, Low12, Jf12str/Jf12str, 030.0, 2-161
- Hose, Hyd, Low12, Jf12str/Jf12str, 038.0, 2-159, 2-161
- Hose, Hyd, Med04, Jf04e45/Jf04str, 034.0, 2-159, 2-161
- Hose, Hyd, Med04, Jf04e90/Jf04str, 056.0, 2-159, 2-161
- Hose, Hyd, Med04, Jf04e90/Jf04str, 072.0, 2-159, 2-161
- Hose, Hyd, Med04, Jf04e90/Jf04str,038.0, 2-159, 2-161
- Hose, Hyd, Med04, Jf04str/Jf04str, 026.0, 2-159, 2-161
- Hose, Hyd, Med06, Jf06e45/Jf06str, 035.0, 2-159, 2-161
- Hose, Hyd, Med06, Jf06e45/Jf06str, 112.0, 2-159, 2-161
- Hose, Hyd, Med06, Jf06e45/Jf06str, 118.0, 2-161
- Hose, Hyd, Med06, Jf06e90/Jf06str, 023.0, 2-159, 2-161
- Hose, Hyd, Med06, Jf06e90/Jf06str, 024.0, 2-159, 2-161
- Hose, Hyd, Med06, Jf06e90/Jf06str, 046.0, 2-159, 2-161
- Hose, Hyd, Med06, Jf06e90/Jf06str, 060.0, 2-159, 2-161
- Hose, Hyd, Med06, Jf06e90/Jf06str, 072.0, 2-159, 2-161, 3-49
- Hose, Hyd, Med06, Jf06str/Jf06str, 022.0, 2-159, 2-161
- Hose, Hyd, Med06, Jf06str/Jf06str, 027.0, 2-159, 2-161
- Hose, Hyd, Med08, Jf08e45/Jf08str, 060.0, 2-159, 2-161
- Hose, Hyd, Med08, Jf08e45/Jf08str, 106.0, 2-159, 2-161
- Hose, Hyd, Med08, Jf08e45/Jf08str, 112.0, 2-161
- Hose, Hyd, Med08, Jf08e90/Jf08str, 028.0, 2-159, 2-161
- Hose, Hyd, Med08, Jf08e90/Jf08str, 034.0, 2-159, 2-161
- Hose, Hyd, Med08, Jf08e90/Jf08str, 040.0, 2-159, 2-161
- Hose, Hyd, Med08, Jf08e90/Jf08str, 058.0, 2-159, 2-161

Hose, Hyd, Med08, Jf08e90/Jf08str, 062.0, 2-159, 2-161
 Hose, Hyd, Med08, Jf08str/Jf08str, 066.0, 2-159, 2-161
 Hose, Hyd, Med12, Jf12e45/Jf12str, 074.0, 2-159, 2-161
 Hose, Hyd, Med12, Jf12str/Jf12str, 031.0, 2-161
 Hose, Hyd, Suc20, Jf20e45/Jf20str, 022.5, 2-159, 2-161
 Hose, Hyd, Tc04, Jf04e90/Jf04str, 092.0, 2-159, 2-161
 Hose, Hyd, Tc04, Jf04str/Jf04str, 098.0, 2-159, 2-161
 Hose, Hyd, Tc04, Jf04str/Jf04str, 106.0, 2-159, 2-161
 Hose, Hyd, Tc04, Jf04str/Jf04str, 114.0, 2-159, 2-161
 Hose, Hyd, Tc04, Jf04str/Jf04str, 138.0, 2-159, 2-161
 Hose, Hyd, Tc04, Jf04str/Jf04str, 142.0, 2-159, 2-161
 Hose, Hyd, Tc12, Ff12e45/Ff12str, 045.0, 2-161
 Hose, Intake, Mold, 2.00id [Epdm], 2-101
 Hose, Intake, Mold, 2.0id X 2.26id[Epdm], 2-101
 Hose, Intake, Mold, 3.00id 2.00id [Epdm], 2-101
 Hose, Intake, Mold, Rwk 380592, 2-97
 Hose, Lpg, 4Lpg X 35.0Lg, 2-119, 2-121, 2-123
 Hose, Lpg, 4Lpg X 40.0Lg, 2-119
 Hose, Lpg, Med05, Pm04str/Sm04str, 055.0, 2-123
 Hose, Lpg, Med05, Pm04str/Sm04str, 067.0, 2-125
 Hose, Lpg, Med05, Pm04str/Sm04str, 31.0l, 2-121
 Hose, Lpg, Med05, Pm04str/Sm04str, 46.0l, 2-123, 2-125
 Hose, Lpg, Med05, Pm04str/Sm04str, 67.0l, 2-121
 Hose, Lpg, Med08, Jf08str/Jf08str, 035.0, 2-75
 Hose, Lpg, Med08, Jf08str/Jf08str, 037.5, 2-75
 Hose, Lpg, Med10, Jf14str/Jf14str, 028.0, 2-71, 2-73
 Hose, Mold [Epr To Mixer], 2-84, 2-89
 Hose, Mold, .62 To .75, 2-79, 2-83, 2-89
 Hose, Mold, .62 X 37.0, 2-79
 Hose, Molded, 2-91, 2-93, 2-95, 2-99
 Hose, Pvc, 18.0l, 2-45
 Hose, Pvc, Clr, 0.38id 0.56od 013.0l, 2-75
 Hose, Pvc, Clr, 0.38id 0.56od 048.0l, 2-133
 Hose, Radiator, Lower, 2-127
 Hose, Radiator, Upper, 2-127
 Hose, Rbr 1.50id 1.88od 12.0 L, 2-127
 Hose, Rbr, 0.38id 0.62od 21.0l, 2-61, 2-69
 Hose, Rbr, 1.50id 1.88od 06.0l, 2-129, 2-131

Hose, Rbr, 1.50id 1.88od 12.0l, 2-129, 2-131, 2-133
 Hose, Rbr, 1.50id 1.88od 04.0l, 2-133
 Hose, Rbr, 1.50id 1.88od 6.0 L, 2-127
 Hose, Rbr, 2.00id 2.50od 03.0l, 2-95, 2-99
 Hose, Rbr, E120 1.50id 1.20id 05.0 05.2, 2-131
 Hose, Rbr, E120 1.50id 1.20id 06.4 2.7, 2-129
 Hose, Rbr, E90 1.50id 1.50id 09.4 6.3, 2-129
 Hose, Rbr, E90 1.50id 1.62id 0.40 04.0, 2-131
 Hose, Rbr, E90, 1.50id 1.50id 06.3 04.5, 2-133
 Hose, Rbr, E90, 2.00id 2.00id 03.5 03.5, 2-97
 Hose, Rbr, Mold, 0.50id 0.38id [Epdm], 2-61, 2-69
 Hose, Supply, Gas, .25id, 2-83
 Hose, Vacuum, .16 ld X 76.0 Lg, 3-109
 Hose, Vacuum, 0.16id X 009.5l, 2-39
 Hose, Vacuum, 0.16id X 015.6l, 2-41
 Hose, Vacuum, 0.16id X 021.0l, 2-71
 Hose, Valve, Fuel Trim, 325mm, 2-79
 Hose, Valve, Press Trim, 405mm, 2-79
 Hose&2Cuff Assy, Vinyl2.0ld10Ft, 3-97, 3-99
 Hose&cuff Assy, Vinyl4.0ldx50, 2-185
 House, Wheel, 2-145
 Housing, 2-45, 4-25, 4-33, 7-3, 7-5, 7-11
 Housing Assembly, 4-59, 4-63
 Housing Assy, 4-27, 4-29
 Housing Assy, Thr, 2-79
 Housing Assy, Throttle, Gas, 2-65
 Housing Assy, Throttle, Gas, [With Ecu], 4-75
 Housing Assy, Throttle, Gas, [With Ecu] (See Breakdowns), 2-63
 Housing Assy, Throttle, Gas, [Without Ecu], 4-77
 Housing Assy, Throttle, Gas, [Without Ecu] (See Breakdowns), 2-63
 Housing Assy, Throttle, Lpg, [With Ecu], 4-71
 Housing Assy, Throttle, Lpg, [With Ecu] (See Breakdowns), 2-75
 Housing Assy, Throttle, Lpg, [Without Ecu], 4-73
 Housing Assy, Throttle, Lpg, [Without Ecu] (See Breakdowns), 2-75
 Housing En, 4-3, 4-7, 4-13, 4-17
 Housing S/A En, 4-3, 4-7, 4-13, 4-17
 Housing Wldt, Vac Fan, Front, 2-185
 Housing Wldt, Vac Fan, Rear, 2-185
 Housing, Bearing, Motor, Hyd, 4-31
 Housing, Brg, 4-27, 4-29
 Housing, Condenser, 4-55
 Housing, Flywheel [3.0l], 2-47, 2-49
 Housing, Flywheel, Mach [Lrg 2.3, Ford], 2-43

Housing, Flywheel, Mach [Lrg 2.5, Ford], 2-43
 Housing, Heater [Badger, Gray], 4-61, 4-65
 Housing, Sppt, Wheel (Repl. by 375534), 2-145
 Housing, Sppt, Wheel, Rear, 2-145
 Housing, Thermostat [Gm3.0l 2007], 2-50
 Housing, Throttle, 40mm [Bosch], 2-65, 2-67, 2-79, 2-83, 2-87
 Housing, Throttle, Gas, 4-75, 4-77
 Housing, Throttle, Lpg, 4-71, 4-73
 Housing, Valve, 4-31
 Housing,Control, 4-11
 Housing,Control En, 4-21
 Hsg W/Brg, 5-9, 6-9
 Hub and Stud Assy., 2-145
 Hub Assy, 2-149
 Hub, Drive, Brush, Side, 1.00b 8.8bc, 2-5

I

Ignition Coil, 5-24, 6-24
 Ignition Module Kit, 6-24
 Impeller 9.5 Dia. 18 Blade Mac, 2-185
 Indicator Service Air Filter, 2-91, 2-93, 2-95, 2-99
 Indicator, Service, Fltr, Air [20h20 Dn], 2-97, 2-101
 Indicator,Oil, 5-3, 6-3
 Injector, Fuel, Lpg [3.0l Gm] 8410, 4-71, 4-73
 Injector, Gas, W/ Top And Bottom Org, 4-75, 4-77
 Inner Cover, 5-7, 6-7
 Insert-Oilflit, 5-3, 6-3
 Insert, Wheel, Steering, 2-189
 Instr, Kit, Repair, Pump, Hyd, 4-25
 Instr. Valve Repair Info, 4-41
 Insulation, Acoustic, Fan, 2-185
 Insulation, Acoustic, Vac Fan, 2-187
 Insulation, Acstc, 0.5, 17.0 X 15.0, 2-19
 Insulation, Acstc, 0.8, 15.5 X 05.0, 2-19
 Insulation, Acstc, 0.8, 16.5 X 04.5 Cham, 2-19
 Insulation, Acstc, 0.8, 18.0 X 15.0 C-O, 2-19
 Insulation, Acstc, 0.8, 20.3 X 19.3, 2-17
 Insulation, Acstc, 0.8, 23.0 X 04.0, 2-19
 Insulation, Acstc, 1.0, 01.5 X 04.0, 2-7
 Insulation, Acstc, 1.0, 03.0 X 03.0, 2-7
 Insulation, Acstc, 1.0, 03.5 X 09.0 Cham, 2-7
 Insulation, Acstc, 1.0, 25.0 X 09.9, 2-13
 Insulation, Acstc, 1.0, 26.5 X 27.3 Ntch, 2-13
 Insulation, Acstc, 1.5, 04.0 X 04.0, 2-7
 Insulation, Acstc, 1.5, 07.8 X 08.0 Cham, 2-11
 Insulation, Acstc, 1.5, 07.8 X 08.0 Ntch, 2-9
 Insulation, Acstc, 2.3, 13.5 X 13.5 Ntch, 2-15

CROSS REFERENCE

Insulation, Acstc, Cab Front, 4-53
Insulation, Acstc, Cab Rear, 4-53
Insulation, Acstc, Cab, Leg, Front, 4-53
Insulation, Acstc, Cab, Leg, Rear, 4-53
Insulation, Acstc, Cab, Proj, Front, 4-53
Insulation, Acstc, Cab, Proj, Ls, 4-53
Insulation, Acstc, Cab, Proj, Rear, 4-53
Insulation, Acstc, Cab, Proj, Side, 4-53
Insulation, Acstc, Cab, Proj, Upper, 4-53
Insulation, Acstc, Door, Side, 4-49, 4-51
Insulation, Acstc, Front, Lower, 3-55
Insulation, Acstc, Side, Lower, .8t, 3-55
Insulation, S/Foam 1.0 Seal Brake Pedal, 2-151
Insulation, Sound Foam, 2-151
Int.Manifold, 5-15, 6-15
Isolator, 2-89
Isolator [Epr], 2-83
Isolator-Vibration .25-20, 2-103, 2-105
Isolator-Vibration .31-18, 2-135, 2-137, 2-139
Isolator-Vibration,60 Lb.Ratng, 2-187
Isolator, Box, Relay, 2-67, 2-79, 2-83, 2-87
Isolator, Mtg, Vaporizer, Rbr, 2-79
Isolator, Rbr, 2-109
Isolator, Rubber, 2-107
Isolator, Vac Fan, 2-167
Isolator, Vib, .50d, 2-13
Isolator, Vib, Bshg, 1.4d 0.3l .4b 0.65h, 2-169
Isolator, Vib, Bshg, 1.9d 0.9l .6b 1.16h, 2-37
Isolator, Vib, Flng, 1.3h .5b 2/.39h, 2-43, 2-45, 2-47, 2-49
Isolator, Vib, Flng, 2.0h .5b 2/.41h, 2-45, 2-47, 2-49
Isolator, Vib, Ring, 1.0d .25-20/.25-20, 2-107, 2-109
Isolator, Vib, Ring, 1.0d .31-18/.31-18, 2-165
Isolator, Vib, Ring, 1.4d 0.3l 0.8b, 2-169
Isolator, Vib, Ring, 1.9d 0.5l 1.3b, 2-37
Isolator, Vibration, 2-187

K

Keeper, Latch, Pane, 4-47, 4-49, 4-51
Key, 4-25, 4-27, 4-29, 4-34, 7-3, 7-11, 7-12
Key En, 4-5, 4-9, 4-15, 4-19
Key Set, 4-49, 4-51
Key Set,Switch Ku, 2-191
Key, Motor, Hyd, 4-31
Key, Round, 4-23
Key, Sq, 0.12 X 0.12, 0.50l, 2-135, 2-137, 2-139
Key, Square 0.12 0.12 00.50 LG, 4-35
Key, Woodruff, 4-32
Kit-Attaching, 5-9, 6-9
Kit, Adaptor, Manifold, 2-76
Kit, Alarm, Backup, 3-27
Kit, Alternator, Hd, Gas/Lpg, 3-91

Kit, Brush, Alternator, 2-41
Kit, Ci, Alternator, Hd,Gas/Lpg,[Gm3.0l], 3-93
Kit, Ci, Drain Hose, A/C, 3-111
Kit, Connector, Coolant Sensor, 4-71, 4-73, 4-75, 4-77
Kit, Connector, Gas Injector, 4-75, 4-77
Kit, Connector, Govnr, 4-71, 4-73, 4-75, 4-77
Kit, Connector, Sensor, [lat], 4-71, 4-73, 4-75, 4-77
Kit, Connector, Sensor, [Map], 4-71, 4-73
Kit, Fi, Cab, [97], 2-61
Kit, Gasket, Manifold, 2-76
Kit, Light, Flsh, Low, 3-19
Kit, Light, Strobe, Low, 3-23
Kit, Org, Injector And Reg, Gas, 4-75, 4-77
Kit, Org, Injector, Top And Bottom, Lpg, 4-71, 4-73
Kit, Reg, Gas Press, 4-75, 4-77
Kit, Repair, Fuelock, Mv 310-6, 2-121
Kit, Replmt, Controller, 4-71
Kit, Seal, Hyd, Motor, 4-31
Kit, Seal, Hyd, Pump, 4-23
Kit, Seal, Motor, Hyd, 4-31
Kit, Seal, Pump, 4-25
Kit, Signal, Turn, 3-31
Knob, Plastic, 2-175, 2-183
Knob, Rnd, 2.00d 0.65l M6, Plstc, 2-169
Knob, Rnd, 2.00d 0.84l M6, Plstc, 2-169
Knob, Rnd, Control, Heat-A/C, 3-63, 3-69, 3-71, 3-81, 3-85, 3-87
Knob,0.38-16,1.25Dia,Plastic, 3-97, 3-99

L

Label Set, Info & Hazard, 2-240
Label Set, Operational 800, 2-240
Label, Caution, 3-63, 3-69, 3-71
Label, Instr, Fltr Drain, 2-75
Label, Logo, 10.4L Sht/Clr [Tennant], 2-240
Label, Logo, 10.4l,Oval[Tennant,Blu/Grn], 2-240
Label, Model [800 Gray], 2-240
Label, Numerals 800, 2-240
Label, Opertnl, Fan, Hi/Med/Low, 3-63, 3-69, 3-71, 3-81, 3-85, 3-87
Label, Opertnl, Pull Heat, 3-63, 3-69, 3-71, 3-81, 3-85, 3-87
Label, Opertnl, Switch, On-off, 4-47
Label, Opertnl, Temp, 3-63, 3-69, 3-71
Label, Vac Wand, 3-97, 3-99
Lamp, 4-47
Lamp, 12VDC 55w, 3-27, 3-29, 3-51, 3-53
Lamp, 12vdc, 0.5a, 04cp [#1157], 2-7
Lamp, Bulb, Flsh, 3-3, 3-5, 3-7, 3-9, 3-19, 3-21
Lamp, Bulb, Strobe, 3-11, 3-13, 3-15, 3-17, 3-23, 3-25
Latch, 2-9, 2-11, 2-17, 2-19, 2-21, 2-23, 2-33, 2-179
Latch Assy, Door, 4-49, 4-51
Latch Assy, Lpg Tank Mtg,W/Nut, 2-119, 2-121, 2-123, 2-125
Latch Assy, Wndw [800 Cab], 4-47, 4-49, 4-51
Latch Kit, Wndw, Cab, Rear, 4-47
Latch, Bmpr, 2-35
Latch, Bolt, 2-19, 2-21, 2-23
Latch, Door, 3-107
Latch, Keeper, Pane [J-dak], 4-47
Latch, Keeper, Pane [J-dak], 4-49, 4-51
Latch, Tension, 4-59, 4-61, 4-63, 4-65
Leg Wldt, Bmpr, Se [800 Gray], 3-39
Leg Wldt, Bumper, Se, 3-38
Lens, Amb, F/ Strobe / Flasher, 3-3, 3-5, 3-7, 3-9, 3-11, 3-13, 3-15, 3-17, 3-19, 3-21, 3-23, 3-25
Lens, Blu, F/ Strobe / Flasher, 3-3, 3-5, 3-7, 3-9, 3-11, 3-13, 3-15, 3-17, 3-19, 3-21, 3-23, 3-25
Lens, Flashing Amb 12V, 3-19
Lens, Red, F/ Strobe / Flasher, 3-3, 3-5, 3-7, 3-9, 3-11, 3-13, 3-15, 3-17, 3-19, 3-21, 3-23, 3-25
Lens, Strobe Light, Amber, 3-23
Lens, Strobe Light, Blue, 3-15, 3-19, 3-23
Lens, Strobe Light, Red, 3-15, 3-19, 3-23
Lens, Strobe.Light,Amber, 3-11, 3-15
Lens, Strobe.Light,Blue, 3-11
Lens, Strobe.Light,Red, 3-11
Lens,Flashing Lite Fr207 Amber, 3-3, 3-7
Lens,Flashing Lite Fr207 Blue, 3-3, 3-7
Lens,Flashing Lite Fr207 Red, 3-3, 3-7
Lever, 5-9, 6-9
Lever, Brake, 2-151
Lifter, 7-3
Lifting Eye, 5-15, 6-15
Light Assy Mark/Yel 12V- . A, 3-31
Light Kit Flsh 800L Cab, 3-7
Light Kit Flsh 800L Ohg, 3-3
Light Kit Strobe 800L Cab, 3-15
Light Kit Strobe 800L Ohg, 3-11
Light Kit, Brush, Side, Ci [800gray], 3-53
Light Kit, Flsh, Cab, Ci [800 Gray], 3-9
Light Kit, Flsh, Ohg, Ci [800 Gray], 3-5
Light Kit, Flsh, Ped, Ci [800 Gray], 3-21
Light Kit, Revl, Cab, Ci [800l Gray], 3-17
Light Kit, Side Brush, 3-51
Light Kit, Strobe, Ohg, Ci [800l Gray], 3-13
Light Kit, Strobe, Ped, Ci [800l Gray], 3-25
Light, Check Eng, Amb, 14vdc, 2-191
Light, Dome 12V, 4-47
Light, Flashing Amb 12v-re, 3-19
Light, Flashing, Amber, 12V-Re, 3-3, 3-7
Light, Flsh, Amb, 12-48vdc, 3-3, 3-5, 3-7, 3-9, 3-19, 3-21
Light, Indicator 14V Red 1.2x0.7, 2-191
Light, Spot 12V, 32cp, 3-27, 3-29
Light, Spot, 12VDC 55w, 3-51, 3-53
Light, Strobe Amber 12v-re, 3-23

Light, Strobe, Amb, 12-48vdc, 3-11, 3-13, 3-15, 3-17, 3-23, 3-25
 Light, Strobe.Amber 12V-Reworked, 3-11, 3-15
 Link, 0.18, 1.5w 03.6l, 1/0.4h 1/0.3h, 2-109
 Link, Connecting, 4-49, 4-51
 Link, Eccentric, 2-37
 Link, Feedback, 4-11
 Link, Feedback En, 4-21
 Link, Head, Vacuum, Rh, .50 1.50w 23.0l, 2-25
 Link, Tension 2.4L, 3-67
 Linkage Kit, Govnr, 2-61, 2-69
 Lintel Wldt, Rear, 2-19
 Lintel Wldt, Rear [800 B/Green], 2-19
 Lock Assy, Door, 4-49, 4-51
 Locknut, 5-23, 6-23
 Lockwasher En, 4-3, 4-7, 4-13, 4-17
 Louver, Adj, Heat-A/C, 3-63, 3-69, 3-71, 3-81, 3-85, 3-87
 Lower Cover, 5-7, 6-7

M

Magnet, Drive Brush, 2-33
 Maintenance Kit, 400HR 800/810 gas, 2-4
 Maintenance Kit, 400HR 800/810 lpg, 2-4
 Maintenance Kit, 800HR 800/810, 2-4
 Maintenance Kit, Skirts, 2-4
 Maintenance Kit, Skirts 800, 2-4
 Manifold, Exhaust, 2-63, 2-65, 2-75, 2-80
 Manifold, Exhaust [Gm3.0l], 2-67, 2-83, 2-87
 Manifold, Gas, Relief, Valve, 2-117
 Manifold, Intake, 2-63, 2-65, 2-75, 2-80
 Manifold, Intake [2007], 2-67, 2-83
 Manifold, Intake [Gm3.0l 2010], 2-67, 2-87
 Manual Op/Mt 800G French, 3-114
 Manual Control En, 4-21
 Manual Op/Mt 800G Spanish, 3-114
 Manual Pkg 800G, 3-114
 Manual, Eng, Cd-Rom [Tier li,Gm3.0l], 3-114
 Manual, Service 800/810, 3-114
 Manual, Service FD (Lrg) 2.3L, 3-114
 Manual, Service FD (Lrg) 2.5L, 3-114
 Manual, Service, Eng, [Gm 3.0L], 3-114
 Mirror Assembly, 3-57, 3-59
 Mirror Kit, Brush, Side, Cab, Ci[800lgr], 3-59
 Mirror Kit, Side Brush, 3-57
 Mirror, Convex, 0.50d, 3-57, 3-59
 Mirror,8.0 Round,Convex, 3-57, 3-59
 Mixer , Lpg, 2-87
 Module, 7-5
 Module Kit, Ignition, Replmt [Ford 2.3l], 5-24
 Module, Ecu, Gas [Gm 3.0l], 2-65
 Module, Ecu, Gas [Gm3.0l 2007], 2-67
 Module, Ecu, Gas [Gm3.0L 2010], 2-67
 Module, Ecu, Lpg [Gm 3.0l], 2-79

Module, Ecu, Lpg [Gm3.0l 2007], 2-83
 Module, Ecu, Lpg [Gm3.0L 2010], 2-87
 Molding, Trim (Gasoline only), 4-47
 Molding, Trim 11-14Ga 4.0, 2-151
 Molding, Trim, Extrusion, .062, 10.10l, 2-41
 Molding, Trim, Pvc, .08-.11 01.0l, 2-7
 Molding, Trim, Pvc, .08-.11 05.8l, 2-15
 Molding, Trim, Pvc, .08-.11 08.5l, 2-13
 Molding, Trim, Pvc, .08-.11 15.8l, 2-15
 Molding, Trim, Pvc, .08-.11 26.5l, 2-13
 Molding, Trim, Pvc, .18-.31 01.5l, 4-53
 Motor-Hyd Gear (See Breakdowns), 2-145
 Motor-Hyd Gear (See Breakdowns) (Replaced by 1068905), 2-145
 Motor-Hyd Gear Ex (See Breakdowns), 2-187
 Motor-Hyd Gear In (See Breakdowns), 2-145
 Motor-Hyd Gear In (See Breakdowns) (Replaced by 9009503), 2-179
 Motor-Hyd, Gear In 10.0 (See Breakdowns), 2-135, 2-137, 2-139
 Motor, Ele, 14vdc 1600rpm 0.04hp, 2-37
 Motor, Ele, Geared, 12Vdc, 3-109
 Motor, Ele, Wiper, 12vdc, 4-47
 Motor, Hyd Gear In 17.9 B 1500 (See Breakdowns) (Replaced by 9009502), 3-45
 Motor, Hyd, (See Breakdowns) (Replaced by 9009502), 2-171
 Motor, Hyd, Gear, [In] 29.9 B 3000, 4-31
 Motor, Hyd, Gear, Ext 0.17 Lh 3000, 2-187
 Motor, Hyd, Gear, Int 02.8 Bi-Dir 2500, 2-179
 Motor, Hyd, Gear, Int 07.6 Bi-Dir 3000, 2-139
 Motor, Hyd, Gear, Int 17.9 Bi-Dir 2500, 2-171, 3-45
 Motor, Hyd, Gear, Int 29.9 Bi-Dir 3000, 2-145
 Motor, Hydraulic, 4-32, 4-33, 4-34, 4-35
 Motor, Propelling, 4-27, 4-29
 Motor, Starting, Perm Mag, 12V, 5-9, 6-9
 Mount, Cable Tie, 3-63, 3-69, 3-71, 3-111
 Mount, Fltr, Remote, 2-59
 Mount, Tie, 3-27, 3-29
 Muffler, Catalytic [Gm 1.6/3.0], 2-107
 Muffler, Catalytic [Gm 3.0l 2007], 2-109
 Muffler, Catalytic [Gm 3.0l 2010], 2-109
 Muffler, Exhaust, 2-103, 2-105, 3-113

N

Nameplate, Tennant, Domed, 10 Inch, 2-240
 Nozzle, 7-11
 Nut, 4-27, 4-29, 7-3, 7-9
 Nut En, 4-3, 4-7, 4-13, 4-17
 Nut Low Crown .62-18, 2-175
 Nut M8-1.25, 5-15, 6-15
 Nut-hx Jam M20x1.5 4 Pltd, 2-189

Nut-Hxlocnyln .31-24 Reg Pltd, 2-135, 2-137, 2-139
 Nut-Hxslot 1.00-20 Pltd, 2-147
 Nut-Low Crown .50-20 Pltd, 2-185
 Nut, Adjustable, Lpg Tank Mtg, 2-119, 2-121, 2-123, 2-125
 Nut, Cart., LNG CP, 4-43
 Nut, Cart., LNG., 4-38
 Nut, Cart., Sht, 4-39
 Nut, Cart., SHT CP, 4-43
 Nut, Conn Rod, 7-7
 Nut, Conrod-8, 5-22, 6-22
 Nut, Flng, .38-24, 2-53
 Nut, Flng, M8, 2-83, 2-89
 Nut, Hex, Flange, 3-41
 Nut, Hex, Flange, M8 X 1.25, 2-175
 Nut, Hex, Flng, .38-16, 2-50, 2-67, 2-83, 2-87
 Nut, Hex, Flng, M10 X 1.5, 2-176, 2-179, 3-41, 3-47, 3-75
 Nut, Hex, Flng, M10 X 1.50, 2-9, 2-11, 2-173, 3-57, 3-59
 Nut, Hex, Flng, M12 X 1.75, 2-19, 2-143, 2-179
 Nut, Hex, Flng, M5 X 0.80, 2-73
 Nut, Hex, Flng, M6 X 1.0, 2-135, 2-137, 2-139, 2-167
 Nut, Hex, Flng, M6 X 1.00, 2-17, 2-19, 2-23, 2-123, 2-125, 2-153, 2-171, 2-192, 3-45, 3-55
 Nut, Hex, Flng, M8 X 1.25, 2-13, 2-17, 2-19, 2-29, 2-45, 2-47, 2-49, 2-55, 2-57, 2-97, 2-101, 2-123, 2-125, 2-141, 3-3, 3-5, 3-11, 3-13, 3-93
 Nut, Hex, Jam, .25-28, 2-153
 Nut, Hex, Jam, .38-16, 2-13
 Nut, Hex, Lock, 3-31
 Nut, Hex, Lock, .25-20, NI, 2-59, 2-117, 2-187
 Nut, Hex, Lock, .25-20, NI, Ss, 2-153
 Nut, Hex, Lock, .31-24, NI, 3-51, 3-53
 Nut, Hex, Lock, .38-16, NI, 2-45, 2-47, 2-49, 2-55, 2-57, 2-123, 2-125, 2-135, 2-137, 2-139, 2-179, 2-187, 3-57, 3-59, 3-75, 3-79, 3-93, 3-95
 Nut, Hex, Lock, .38-16, NI, Ss, 3-75
 Nut, Hex, Lock, .50-13, NI, 2-145, 2-173, 3-47
 Nut, Hex, Lock, .50-13, NI, Ss, 2-179
 Nut, Hex, Lock, .75-10, NI, 2-145
 Nut, Hex, Lock, M 6 X 1.0, NI, 2-141
 Nut, Hex, Lock, M08 X 1.25,NI, 3-51, 3-53
 Nut, Hex, Lock, M10 X 1.5, NI, 2-19, 2-33, 2-50, 2-135, 2-137, 2-139, 2-153, 2-171, 2-173, 2-176, 2-185, 3-41, 3-45, 3-47, 3-76, 3-79
 Nut, Hex, Lock, M10 X 1.5, NI, Ss, 2-175, 3-41, 3-75, 3-79
 Nut, Hex, Lock, M12 X 1.75, NI, 2-13, 2-45, 2-47, 2-49
 Nut, Hex, Lock, M16 X 2.0, NI, 3-42

CROSS REFERENCE

- Nut, Hex, Lock, M5 X 0.80, NI, 3-3, 3-5, 3-7, 3-9, 3-11, 3-13, 3-15, 3-17, 3-19, 3-21, 3-23, 3-25
- Nut, Hex, Lock, M6 X 1.0, NI, 2-95, 2-99, 2-175, 3-41
- Nut, Hex, Lock, M6 X 1.00, NI, 2-9, 2-11, 2-15, 2-19, 2-21, 2-23, 2-33, 2-37, 2-133, 2-139, 2-185, 2-187, 2-189, 2-192, 3-45
- Nut, Hex, Lock, M6 X 1.00, NI, Ss, 2-153, 4-47
- Nut, Hex, Lock, M8 X 1.25, NI, 2-15, 2-29, 2-97, 2-101, 2-123, 2-125, 2-135, 2-137, 2-139, 2-173, 2-176, 2-179, 2-185, 2-187, 3-3, 3-5, 3-7, 3-9, 3-11, 3-13, 3-15, 3-17, 3-42, 3-47, 3-75, 3-79, 3-95
- Nut, Hex, Lock, M8 X 1.25, NI, Ss, 2-29, 2-31
- Nut, Hex, M10 X 1.50 [Stover], 2-109
- Nut, Hex, Std, .25-20, 2-67, 2-83, 2-87, 2-107, 2-109
- Nut, Hex, Std, .31-18, 2-135, 2-137, 2-139, 2-165, 2-187
- Nut, Hex, Std, .31-18, Ss, 3-57, 3-59
- Nut, Hex, Std, .38-16, 2-105, 2-107, 2-109
- Nut, Hex, Std, .44-14, 5, 2-9, 2-11
- Nut, Hex, Std, .62-18, 2-183
- Nut, Hex, Std, .75-16, 2-145
- Nut, Hex, Std, #10-24, 2-45, 2-47, 2-49
- Nut, Hex, Std, M05 X 0.8, 2-121
- Nut, Hex, Std, M08 X 1.25, 3-75
- Nut, Hex, Std, M10 X 1.5, 3-47
- Nut, Hex, Std, M10 X 1.5, Ss, 3-47
- Nut, Hex, Std, M10 X 1.50, 2-173
- Nut, Hex, Std, M10 X 1.50, Ss, 2-173
- Nut, Hex, Std, M12 X 1.75, 2-19, 2-21, 2-23, 2-29, 2-153
- Nut, Hex, Std, M20 X 2.50, 8, 2-145
- Nut, Hex, Std, M4 X 0.7, 8, 2-115
- Nut, Hex, Std, M4 X 0.70, 8, 2-117
- Nut, Hex, Std, M5 X 0.8, 8, 2-115
- Nut, Hex, Std, M5 X 0.80, 8, 2-45, 2-47, 2-49, 2-117
- Nut, Hex, Std, M8 X 1.25, 2-23, 2-173, 3-41, 3-47
- Nut, Hex, Stover, M10 X 1.5, 2-107
- Nut, Hex, Stover, M8, 2-139
- Nut, Jam, 4-3, 4-7, 4-13, 4-17
- Nut, Low Crown, .62-18, 2-183
- Nut, M6, 5-7, 6-7
- Nut, Manifold, Exhaust, 2-63, 2-65, 2-75, 2-79
- Nut, Motor, Hyd, 4-31
- Nut, Slotted Hex, 4-32
- Nut, U, M6 X 1.00, 2-19
- Nut, Valve, Cartridge, 4-79, 4-81, 4-82
- Nut, Wheel Lug, 2-145
- Nut, Wheel Lug, 9/16-18, 2-147
- Nut, Fling, M05-0.8, 2-87
- Nut, Lock-Special 2.16-18Uns, 2-145
- Nut, M10, 5-11, 6-11
- Nut, Wing .44-20 Special, 2-91, 2-93, 2-95, 2-99
- Nut&Washer, M8, 5-9, 6-9
- O**
- O-Ring Gland, 2-155
- O-Ring-2.250, 5-11, 6-11
- O-Ring, Water Pump Adaptor, 5-23, 6-23
- O-Ring, 2.375, 5-11, 6-11
- Ohg Kit, Ci [800I Gray], 3-35
- Oil Pan, 7-9
- Oil Pan Assy, 5-11, 6-11
- Oil Pan Spacer, 5-11, 6-11
- Oil Pickup Tube, 5-11, 6-11
- Oil Plug, 5-11, 6-11
- Oil Pmp Sprkt, 5-11, 6-11
- Oil Pump, 5-11, 6-11
- Oil Seal, Front, 5-5, 5-13, 5-19, 6-5, 6-13, 6-19
- Oil, Hyd [EI, Iso 100, 01gal], 2-4
- Oil, Hyd [EI, Iso 100, 05gal], 2-4
- Oil, Hyd [EI, Iso 32, 01gal], 2-4
- Oil, Hyd [EI, Iso 32, 05gal], 2-4
- Orifice, Valve En, 4-3, 4-7, 4-13, 4-17
- Outer Cover, 5-7, 6-7
- Outlet For engine serial numbers (004937-006999), 7-3
- Output Shaft Assembly, 4-32
- P**
- Pad, 2-151
- Pad, Rbr, Floormat, .44 27.0w 28.3l, 2-13
- Paint, Airdry, Blk, 12oz, 2-4
- Paint, Airdry, Gray, 12oz, 2-4
- Paint, Airdry, Iron Gray, 12oz, 2-4
- Paint, Airdry, Off-White, 12oz, 2-4
- Paint, Airdry, Teal, 12oz, Solid, 2-4
- Pane Assy, Cab, Lh Side, 4-47
- Pane Assy, Door, Cab, Rh Side, 4-49, 4-51
- Pane, Glass, Cab, 4-47
- Pane, Glass, Door, 4-49, 4-51
- Pane, Glass, Windshield, 4-47
- Panel, 3-3, 3-7, 3-11, 3-15
- Panel Wldt, Access, Floor, 2-153
- Panel Wldt, Access, Floor [800 Gray], 2-153
- Panel Wldt, Cover, Eng, Top, 2-19
- Panel Wldt, Cover, Eng, Top[800 B/Green], 2-19
- Panel Wldt, Headlight, 2-33
- Panel Wldt, Headlight [800 B/Green], 2-33
- Panel Wldt, Hopper, Floor, LH, 3-36
- Panel Wldt, Hopper, Floor, RH, 3-36
- Panel Wldt, Lintel [800 Gray], 2-17
- Panel Wldt, Lntl, 2-17
- Panel Wldt, Rear, Lh, 2-7
- Panel Wldt, Rear, Lh [800 Gray], 2-7
- Panel Wldt, Rear, Rh, 2-7
- Panel Wldt, Rear, Rh [800 Gray], 2-7
- Panel Wldt, Shagr, 2-37
- Panel, Access, Eng, 27.0l X 10.8w, 2-13
- Panel, Access, Eng, 27.0l X 10.8w [Gray], 2-13
- Panel, Corner, Cover, Eng, 2-19
- Panel, Corner, Cover, Eng [800 B/Green], 2-19
- Panel, Cover, 3-97, 3-99
- Panel, Cover, Brush Cntrl, Gas/Lpg[Gray], 2-175
- Panel, Cover, Dash, 2-191
- Panel, Cover, Instmt [800 Gray], 2-191
- Panel, Deflector, Dirt, Lh, 2-29
- Panel, Deflector, Dirt, Rh, 2-29
- Panel, Duct, Vacuum, 2-19
- Panel, Hppr, Bottom, Lh, 2-29
- Panel, Hppr, Bottom, Lh [800 B/Green Ss], 3-37
- Panel, Hppr, Bottom, Lh [800 B/Green], 2-29
- Panel, Hppr, Bottom, Rh, 2-29
- Panel, Hppr, Bottom, Rh [800 B/Green Ss], 3-37
- Panel, Hppr, Bottom, Rh [800 B/Green], 2-29
- Panel, Louver, 2-21
- Panel, Mtg, Adapter, Water Pump [Ford], 2-41
- Panel, Oprtr Station, W/ Label,[800I], 2-13
- Panel, Oprtr Station, W/ Label[800 Gray], 2-13
- Panel, Perma-Filter, Upper, 2-29
- Panel, Side, Fuel Filler, Lpg [Gray], 2-13
- Panel, Side, Lpg [800I], 2-13
- Panel, Spacer, Eng Mtg, Fr Rep.Bynone, 2-43
- Pcv Vlv Asy, 5-3, 6-3
- Pedal Wldt, 2-151
- Pedal Wldt, Brake [800 Gray], 2-151
- Pedal, Propel, Lower, W/ Tread, 2-153
- Pedal, Propel, Lower, W/Tread [800 Gray], 2-153
- Pedal, Propel, Upper, W/ Tread, 2-153
- Pedestal Wldt, Light, 3-19, 3-23
- Pedestal Wldt, Light [800 Gray], 3-21, 3-25
- Pin, 3-47, 4-37, 7-5, 7-7, 7-9, 7-11
- Pin Assy, .312X3.0 W/Lanyard, 3-45
- Pin Assy, Side Brush W/ Clip, 2-171
- Pin Wldt, 2-25, 2-27, 2-31
- Pin Wldt, Latch, 2-33
- Pin Wldt, Pivot, Brush, Side, 2-173
- Pin, 1.00d 04.5l, 1/38h, 1/M8x1.25, Stl, 2-27
- Pin, 1.25d 05.4l, 1/44h, Stl, 2-25
- Pin, 1.50d 06.9l, 1/44h, Stl, 2-25
- Pin, 1.50d 07.4l, 1/44h, Stl, 2-25
- Pin, 1/4X.32, 5-19, 6-19
- Pin, Clevis .375D X 1.000 Lg, 2-151
- Pin, Clevis, 0.19d X 0.63l, 2-169
- Pin, Clevis, 0.25d X 0.75l, 2-153
- Pin, Clevis, 0.25d X 1.00l, 2-153

- Pin, Clevis, 0.31 D X 0.75l, 2-135
 Pin, Clevis, 0.37d X 1.31l, 2-153
 Pin, Clevis, 0.37d X 4.50l, 2-153
 Pin, Clevis, 0.50d X 2.25l [1141 Stl], 2-31
 Pin, Clevis, 0.50d X 3.50l, 2-169
 Pin, Clevis, 0.50d X 4.50l, 2-153
 Pin, Cntrl Assy En, 4-21
 Pin, Cotter .094X1.00, 2-175
 Pin, Cotter, .094 X 0.75, 2-17
 Pin, Cotter, .125 X 0.75, 2-153
 Pin, Cotter, .125 X 1.00, 2-31
 Pin, Cotter, .125 X 2.00, 2-147
 Pin, Cotter, Hair, 0.31d .058 Wir, 2-153, 2-169
 Pin, Grvd, 1.25d 03.50l, 2-27
 Pin, Hair Cotter, 0.69 D .092 Wir, 2-135
 Pin, Headed, 4-11
 Pin, Headed En, 4-21
 Pin, Hitch, .500d X 1.00l, Pl, 2-7
 Pin, Latch, 4-49, 4-51
 Pin, Retainer, 2-79
 Pin, Roll, .187 Dia. X .56, 4-47
 Pin, Roll, .312d X 0.75l, .312/.318, 2-43
 Pin, Clevis, 0.37 Dia. X 2.12 Lg, 2-175, 3-41
 Pin, Clevis, 0.50 Dia. X 2.00 Lg, 2-181
 Pin, Roll, .180d X 1.62L, .187/.192, 3-97, 3-99
 Pipe, 2-75
 Pipe Wldt, Exhaust, Gas/Lpg, 2-103
 Pipe, Adapter [Gm30.0l], 2-50
 Pipe, Nipple [Gm3.0l], 2-49
 Piston, 4-31
 Piston Pin, 6-22
 Piston, .020" O.S., 7-7
 Piston, Hi-limit, 7-7
 Piston, Servo, 4-3, 4-7, 4-13, 4-17
 Piston, STD, 7-7
 Piston, Std., 5-22, 6-22
 Pivot Wldt, Wheel, 2-145
 Planet Bearing, 5-9, 6-9
 Plate, 2-175, 3-41, 3-97, 3-99, 3-101, 4-27, 4-29, 5-19, 6-19
 Plate & Brg, 5-9, 6-9
 Plate Kit, 7-12
 Plate Wldt, 2-175, 3-41
 Plate Wldt, Inlet, Fuel (LPG Only), 3-55
 Plate Wldt, Skirt, 3-101
 Plate Wldt, Skirt [Gray], 3-103
 Plate Wldt, Vac Door, 3-97, 3-99
 Plate Wldt, Wheel Lock (CE Only), 2-149
 Plate Wldt., 2-119, 2-121, 2-123, 2-125
 Plate-Cover, 2-175
 Plate, Adapter, 4-23
 Plate, Adaptor, 4-25
 Plate, Adj, Brush, 2-183
 Plate, Angle, 2-175, 3-41, 3-47
 Plate, Back, 4-23
 Plate, Back, Pump, Hyd, 4-25
 Plate, Backing, 4-69
 Plate, Circuit Breaker, 2-192
 Plate, Circuitbreaker [800 Gray], 2-192
 Plate, Cover, 2-175
 Plate, Cover En, 4-3, 4-7, 4-13, 4-17
 Plate, Drive, 2-45, 2-47, 2-49
 Plate, Front, 4-23
 Plate, Front, Pump, Hyd, 4-25
 Plate, Injector Mtg, W/ Screw, 4-71, 4-73, 4-75, 4-77
 Plate, Latch, 3-97, 3-99
 Plate, Limiter, Spd, 2-153
 Plate, Motor, Hyd, 4-31
 Plate, Mounting, Rfs Control, 3-109
 Plate, Mounting, Tank, Gas, 2-111
 Plate, Mounting, Vac Door, 3-97, 3-99
 Plate, Mtg, 2-119, 2-121, 2-123, 2-125
 Plate, Mtg [Epr], 2-89
 Plate, Mtg, Check Valve, 3-45
 Plate, Mtg, Check Valve [Gray], 3-45
 Plate, Mtg, Latch, 2-179
 Plate, Mtg, Reg, 2-63, 2-75
 Plate, Mtg, Relay, 2-192
 Plate, Mtg, Steering Boot, 2-189
 Plate, Mtg, Switch, A/C, 3-63, 3-69, 3-71, 3-81, 3-85, 3-87
 Plate, Mtg, Tank, Gas, 2-113, 2-115, 2-117
 Plate, Mtg, Valve, Solenoid, 2-167
 Plate, Mtg, W/ Screw, [Ecu], Gas, 4-75
 Plate, Mtg, W/ Screw, [Ecu], Lpg, 4-71
 Plate, Pivot, Wheel, 2-145
 Plate, Retainer, 3-101, 3-103
 Plate, Retainer, Foam, 2-187
 Plate, Retainer, Pin, 2-25, 2-27
 Plate, Seal, 2-179
 Plate, Shield, Heat, 2-55, 3-75, 3-93
 Plate, Shield, Heat, W/Label, 2-129, 2-131
 Plate, Shim, 4-49, 4-51
 Plate, Shutter, 3-109
 Plate, Side Brush Roller, 2-175
 Plate, Side Brush, Roller, 3-41
 Plate, Skirt, Sbdc [800 Gray], 3-103
 Plate, Spacer, 2-27
 Plate, Sppt, 4-47
 Plate, Spring - Side Brush, 2-185
 Plate, Strike, 2-19
 Plate, Thrd, 4-49, 4-51
 Plate, Vac Fan, 2-185
 Plate, Valve, Motor, Hyd, 4-31
 Plate, Wear, 4-37
 Plug, 4-11, 4-31, 5-7, 5-19, 6-7, 6-19, 7-3, 7-7, 7-9
 Plug .06 O/S, 5-3, 6-3
 Plug & O-Ring En, 4-41
 Plug #2, 4-43
 Plug #8, 4-3, 4-7, 4-13, 4-17
 Plug 1/4 Npt, 5-3, 5-6, 6-3, 6-6
 Plug 3/8 Npt, 5-3, 5-15, 6-3, 6-15
 Plug Assembly, 4-27, 4-29
 Plug Assembly En, 4-41
 Plug Assy, 4-31
 Plug Assy, Byd En, 4-41
 Plug En, 4-5, 4-9, 4-15, 4-19, 4-21
 Plug Gage #4, 4-43
 Plug Gage #6, 4-41, 4-43
 Plug Kit, Controlbox, 2-61
 Plug S/A En, 4-3, 4-7, 4-13, 4-17
 Plug Weld, Brush Drive, Sweep, 2-179
 Plug Wldt, Drive, Brush, 2-179
 Plug Wldt, Idler, 2-179
 Plug-Std 2.078, 5-3, 6-3
 Plug, #2 O-Ring, 4-39
 Plug, 1.50 Cup, 5-3
 Plug, 1/2Npt, 5-15, 6-15
 Plug, Drain, 3-97, 3-99
 Plug, Hole, Injector, 2-83, 2-87
 Plug, Hole, Rnd, 0.24h 0.5l, Brb, 2-19
 Plug, Hole, Rnd, 0.25h 0.8l, Brb, Nyl, 2-7, 2-9, 2-11
 Plug, Hole, Rnd, 0.38h .03-.12, Nyl[Wht], 2-13
 Plug, Hole, Rnd, 0.75h .03-.12, Blk Nyl, 2-13
 Plug, Hole, Rnd, 0.88h .03-.12, Blk Nyl, 2-19
 Plug, Hole, Rnd, 1.25h .03-.12, Blk Nyl, 2-13
 Plug, O-Ring, 4-23, 4-25, 4-29
 Plug, Plstc, Sq, 4-67, 4-69
 Plug, Rbr, Rnd, 4-67, 4-69
 Plug, Tube, 2-179
 Plug, #12 O-Ring Ph, 4-3, 4-7, 4-13, 4-17
 Plug, 1.50 Cup, 5-6, 6-6
 Plugbtn .62H .03-.12 Blacknyl, 2-192
 Plugbtn .62H .03-.12 Blacknyl, 4-63, 4-65
 Plugbtn .88H .03-.12 Blacknyl, 4-63, 4-65
 Plugbutton, 2-191, 3-33, 3-35
 Plunger En, 4-41
 Pole Piece, 7-5
 Poppet, 4-31
 Poppet En, 4-5, 4-9, 4-15, 4-19, 4-41
 Poppet, Pump, Hyd, Gear, 4-31
 Pulley - Cable, 1.5 Dia, 3-41
 Pulley Assy, Cable, 1.5 Dia, 2-175
 Pulley, Alternator, 2-41
 Pulley, Fan, 2-53, 2-55, 2-57
 Pump, 7-9
 Pump-Hyd Gear Ex (See Breakdowns), 2-155
 Pump-Hyd Piston V (See Breakdowns), 2-155
 Pump, Fuel, 2-111, 2-115, 2-117
 Pump, Fuel, Gas, 2-113
 Pump, Hyd, 4-23
 Pump, Hyd Piston V 2.48 (See breakdowns), 3-112
 Pump, Hyd, Gear, [Ex3] 0.66 [R] 3000, 4-25

R

- Race, Bearing, 4-37
 Race, Bearing Ce, 4-3, 4-7, 4-13, 4-17
 Race, Thrust, 4-32, 4-33
 Radiator, 2-135, 2-137, 2-139
 Rear Plate, 5-17, 6-17
 Rectifier, Alternator, 2-41

CROSS REFERENCE

Regulator, 2-75, 2-89
Regulator [Ep], 2-83
Regulator, Alternator, 12vdc, 2-41
Regulator, Lpg, 2-79
Regulator, Press, Electronic [Epr], 2-87
Reinforcement, 7-3
Relay 12Vdc 40A Spdt, 3-19, 3-21, 3-23, 3-25
Relay, 12vdc, 20a, Spdt, 2-225, 2-227, 2-228
Relay, 12vdc, 40a, Spdt, 2-225, 2-227, 2-228
Relay, 12vdc, 40a, Spdt N/O, 3-63, 3-69, 3-71, 3-81, 3-85, 3-87
Relay, Shrouded, 12 Vdc, 2-192, 3-109
Relay, Shrouded, 12V, 3-3, 3-5, 3-7, 3-9, 3-11, 3-13, 3-15, 3-17
Relief Valve Sa En, 4-5, 4-9, 4-15, 4-19
Repair Info, Motor, 4-29, 4-33
Repair Info, Pump, 4-23
Repair Info, Mtr Cl, 4-31
Repair Info, Pmp En, 4-5, 4-9, 4-15, 4-19
Repair Info, Scu Cl, 4-37
Repair Kit, Mixer, 2-87
Replacement Kit, Roller, Side Brush Lift, 2-175, 3-41
Replm Kit, Case, 2-191
Replm Kit, Cir Board, 2-191
Replm Kit, Flywheel, 5-17
Replm Kit, Hourmeter, 2-191
Replm Kit, Instr Panel, 2-191
Replm Kit, Lamp, Backlighting (Set of 8), 2-191
Replm Kit, Lamp, Fault (Set of 8), 2-191
Replm Kit, Seal, 2-191
Replm Kit, Touch Panel, 2-191
Restrictor, Jet, Coolant, 2-79
Retainer, 5-9, 6-9, 7-5
Retainer, Blade, Deflector, 2-7
Retainer, Blade, Deflector, Front, 2-29
Retainer, Front, Motor, Hyd, 4-31
Retainer, Frt, 4-27, 4-29
Retainer, Ring, 2-27
Retainer, Seal, Dust, .12 X 0.8w X 48.4l, 2-29
Retainer, Seal, Pan Top, 2-7
Retainer, Shield, Dust, Lh, 2-7
Retainer, Shield, Dust, Rh, 2-7
Retainer, Skirt, .07, 2-9, 2-11
Retainer, Skirt, .08, 1.5w X 07.5l, 2-9, 2-11
Retainer, Skirt, .12, 1.0w X 18.5l, Blk, 2-9, 2-11
Retainer, Skirt, .12, 1.0w X 21.7l, White, 2-29
Retainer, Skirt, .12, 1.2w X 15.7l, 2-9, 2-11
Retainer, Skirt, .12, 2.0w X 54.5l, 3-103
Retainer, Skirt, .12, 3.2w X 48.2l, Blk, 2-29
Retaining Ring, 5-9, 6-9
Retaining Rng En, 4-41
Retnr.Gear, 5-9, 6-9
Rfs Kit, 3-109

Ring, 7-12
Ring Kit, .030" O.S., 7-7
Ring Kit, Std, 7-7
Ring Set, Std., 5-22, 6-22
Ring Wldt, Mtg, Fltr, 2-37
Ring Wldt, Shakr, 2-37
Ring-Drv.Stop, 5-9, 6-9
Ring, Isolator, Outer Rbr, 2-135, 2-137, 2-139, 2-185
Ring, Retainer, 4-37
Ring, Retainer, Lock, 2-145
Ring, Retaining, 4-11
Ring, Retaining En, 4-5, 4-9, 4-15, 4-19, 4-21
Ring, Retaining, Ext, 0.50d, Ss, 2-153
Ring, Retaining, Ext, 1.12d, 2-37
Ring, Retaining, Ext, 1.50d, Hd, 2-25
Ring, Rubber, 2-91, 2-93, 2-95, 2-99
Ring, Wndw, Cab, Rear, 4-47
Ring, Retain, Ex, 0.50Od, Heavy Dt, 2-189
Rivet, Blind, .125d X 0.32 X .25d, Stl, 3-109
Rivet, Blind, .196d X 0.62 X .38d, Alm, 2-21
Rivet, Plastic, 3-55
Rivet, Plastic .250Dx.898, 2-189
Rod, 5-19, 6-19, 7-3
Rod Wldt, Push, Brake, 2-151
Rod-End, 0.25-28rh Fem 0.25b [Ptf], 2-153
Rod-End, 1.31-16 Fem 1.4h, 2-27
Rod-Thread, 2End M08X1.25X10Lg, 2-151
Rod, Hanger, Isolator, 2-107, 2-109
Rod, Latch, Steering, Tilt, 2-189
Rod, Thr, 2 End .50-13 05.75, 2-181
Rod, Thread, 2-175, 2-183
Roll Pin En, 4-5, 4-9, 4-15, 4-19
Rotating Kit, 4-3, 4-7, 4-13, 4-17
Rotator, 7-3
Rotor, 7-5

S

Scr Flt M8x1.25 20, 2-167
Scr Hex .38-16X0.75, 2-189
Scr-soc .50-13x2.75 Alloypltd, 2-145
Scr-soc M12x1.75 60, 2-145
Scr&Wash M6, 5-19, 6-19
Scr&Wsh, M6X15.0M, 5-21, 6-21
Scr&Wsh, M6X22.5, 5-7, 6-7
Screen Kit, Door, Side, Modif, 2-23
Screen, Fltr, 10.0 X, 2-37
Screen, Muffler, 2-103, 2-105
Screen, w/Suction Pipe, 7-9
Screen, w/Tube, 7-9
Screw, 2-53, 2-75, 4-33, 7-9
Screw, .38-16 X 1.00, 2-67
Screw, .38-24 X 4.00, 2-53
Screw, Cap, 4-3, 4-7, 4-13, 4-17, 4-23, 4-27, 4-29
Screw, Cap En, 4-3, 4-5, 4-7, 4-9, 4-13, 4-15, 4-17, 4-19

Screw, Cap, Motor, Hyd, 4-25, 4-31
Screw, Flt, M10 X 1.5 X 25, 10.9, 3-47
Screw, Flt, M10 X 1.5 X 35, 10.9, 3-47
Screw, Flt, M5 X 0.8 X 16, 10.9, 2-179
Screw, Flt, Soc, .25-20 X 1.00, Al, 2-187
Screw, Flt, Soc, .38-16 X 1.75, Al, 2-187
Screw, Flt, Soc, .50-13 X 2.00, Al, 2-173, 3-47
Screw, Flt, Soc, M10 X 1.50 X 25, 10.9, 2-173
Screw, Flt, Soc, M10 X 1.50 X 35, 10.9, 2-173
Screw, Flt, Soc, M8 X 1.25 X 30, Ss, 2-29
Screw, Hex m06, 3-57, 3-59
Screw, Hex m08, 3-41
Screw, Hex, .25-20 X 0.50, G5, 2-45, 2-47, 2-49, 2-67, 2-83, 2-87
Screw, Hex, .25-20 X 0.75, G5, 2-67, 2-75, 2-83, 2-87
Screw, Hex, .25-20 X 0.75, NI, 2-9, 2-11, 2-17, 2-23
Screw, Hex, .25-20 X 1.00, G5, 2-19, 2-59, 2-153, 4-49, 4-51
Screw, Hex, .25-20 X 1.25, G5, 2-67, 2-83, 2-87
Screw, Hex, .31-09 X 1.25, Wood, 2-5
Screw, Hex, .31-18 X 0.75, 5, 2-129, 2-131
Screw, Hex, .31-18 X 0.75, G5, 2-45, 2-47, 2-49
Screw, Hex, .31-18 X 1.00, G5, 2-55, 2-57
Screw, Hex, .31-18 X 1.25, G5, 2-53
Screw, Hex, .31-24 X 0.75, G5, 2-53, 2-55, 2-57
Screw, Hex, .38-16 X, 2-171
Screw, Hex, .38-16 X 0.75, 5, 3-93
Screw, Hex, .38-16 X 0.75, G5, 2-55, 2-57, 2-89, 2-165, 2-189, 3-57, 3-59
Screw, Hex, .38-16 X 1.00, 5, 3-93
Screw, Hex, .38-16 X 1.00, G5, 2-45, 2-47, 2-49, 2-55, 2-57, 2-83, 2-87
Screw, Hex, .38-16 X 1.00, NI, 3-45
Screw, Hex, .38-16 X 1.25, G5, 2-45, 2-47, 2-49, 2-153, 3-79
Screw, Hex, .38-16 X 1.50, G5, 2-189
Screw, Hex, .38-16 X 2.00, 5, 2-135, 2-137, 2-139
Screw, Hex, .38-16 X 2.00, Fl, 2-45, 2-50
Screw, Hex, .38-16 X 2.25, 5, 3-75, 3-93
Screw, Hex, .38-16 X 2.25, G5, 2-53, 2-55, 2-57
Screw, Hex, .38-16 X 2.50, G5, 3-79, 3-95
Screw, Hex, .38-16 X 3.00, G5, 2-123, 2-125
Screw, Hex, .38-16 X 4.00, 5, 3-75, 3-93
Screw, Hex, .38-16 X 4.00, G5, 2-55, 2-57, 2-123, 2-125, 3-79, 3-95
Screw, Hex, .38-24 X 1.50, 5, 3-75
Screw, Hex, .38-24 X 1.50, G5, 3-79
Screw, Hex, .50-13 X 1.25, G5, 2-155

- Screw, Hex, .50-13 X 3.50, 5, 2-179
 Screw, Hex, .62-18 X 0.31, 2-47, 2-50
 Screw, Hex, .75-10 X 2.50, G5, 2-145
 Screw, Hex, #08-32 X 0.38, Ss, 3-109
 Screw, Hex, #08-32 X 0.38, Tcut, 2-109
 Screw, Hex, 10-24 X 0.50, Ss, 2-53, 2-55, 2-57, 3-109, 4-49, 4-51
 Screw, Hex, M 8 X 1.25 X 40, Fl, 3-75
 Screw, Hex, M05 X 0.8 X 25, Ss, 2-121
 Screw, Hex, M08 X 1.25 X 20, 8.8, 3-51, 3-53
 Screw, Hex, M10 X 1.5, 2-17, 4-49, 4-51
 Screw, Hex, M10 X 1.5 X 30, 8.8, 2-107
 Screw, Hex, M10 X 1.5 X 45, 8.8, 2-107
 Screw, Hex, M10 X 1.5 X 100, 8.8, 3-75
 Screw, Hex, M10 X 1.5 X 110, 8.8, 3-79
 Screw, Hex, M10 X 1.5 X 120, 8.8, Fl, 3-75
 Screw, Hex, M10 X 1.5 X 130, 8.8, 3-75
 Screw, Hex, M10 X 1.5 X 20, Ss, 3-47
 Screw, Hex, M10 X 1.5 X 25, 8.8, 2-176, 2-179, 3-41, 3-47, 3-76
 Screw, Hex, M10 X 1.5 X 25, Ss, Ni, 3-47
 Screw, Hex, M10 X 1.5 X 35, 8.8, 2-109, 2-176, 3-41, 3-45, 3-47
 Screw, Hex, M10 X 1.5 X 45, 8.8, 2-109
 Screw, Hex, M10 X 1.5 X 50, 8.8, 2-185, 3-73, 3-89
 Screw, Hex, M10 X 1.5 X 60, 8.8, 2-143
 Screw, Hex, M10 X 1.5 X 80, 8.8, 2-176, 3-42
 Screw, Hex, M10 X 1.5 X 90, 8.8, 2-176, 3-42
 Screw, Hex, M10 X 1.5 X 90, 8.8, Fl, 3-47
 Screw, Hex, M10 X 1.50 X 120, 8.8, Fl, 2-173, 3-47
 Screw, Hex, M10 X 1.50 X 20, Ni, Ss, 2-25, 2-27
 Screw, Hex, M10 X 1.50 X 20, Ss, 2-173
 Screw, Hex, M10 X 1.50 X 25, 8.8, 2-9, 2-11, 2-173, 3-79
 Screw, Hex, M10 X 1.50 X 25, Ni, Ss, 2-173
 Screw, Hex, M10 X 1.50 X 25, Ss, 2-37, 3-7, 3-9, 3-15, 3-17
 Screw, Hex, M10 X 1.50 X 30, 8.8, 2-17, 2-19, 2-50
 Screw, Hex, M10 X 1.50 X 30, Ss, 2-175, 3-41
 Screw, Hex, M10 X 1.50 X 35, 8.8, 2-17, 2-37, 2-50, 2-171, 2-173
 Screw, Hex, M10 X 1.50 X 40, 8.8, 2-153
 Screw, Hex, M10 X 1.50 X 90, 8.8, 2-33, 3-57, 3-59
 Screw, Hex, M10 X 1.50 X 90, 8.8, Fl, 2-173
 Screw, Hex, M12 X 1.75 X 25, 8.8, 2-19
 Screw, Hex, M12 X 1.75 X 30, 8.8, 2-19, 2-179
 Screw, Hex, M12 X 1.75 X 35, 8.8, 2-50, 2-179
 Screw, Hex, M12 X 1.75 X 40, 8.8, 2-17, 2-143, 2-153
 Screw, Hex, M12 X 1.75 X 60, 8.8, 2-13, 2-29, 2-45, 2-47, 2-49
 Screw, Hex, M12 X 1.75 X 70, 8.8, 2-31, 2-49
 Screw, Hex, M16 X 2.0 X 70, 8.8, Fl, 3-42
 Screw, Hex, M20 X 2.5 X 60, 8.8, 2-145
 Screw, Hex, M20 X 2.5 X 70, 8.8, 2-145
 Screw, Hex, M4 X 0.7 X 6, 8.8, 3-75, 3-93
 Screw, Hex, M4 X 0.7 X 6, 8.8, 3-79, 3-95
 Screw, Hex, M4 X 0.70 X 12, 8.8, 2-187, 3-27, 3-29
 Screw, Hex, M5 X 0.80 X 10, Fl, 2-67, 2-87
 Screw, Hex, M5 X 0.80 X 16, 8.8, 3-3, 3-5, 3-7, 3-9, 3-11, 3-13, 3-15, 3-17, 3-19, 3-21, 3-23, 3-25
 Screw, Hex, M5 X 0.80 X 16, Fmg, 2-19
 Screw, Hex, M5 X 0.80 X 25, Ss, 2-179
 Screw, Hex, M6 X 1.0 X 35, 8.8, 2-141
 Screw, Hex, M6 X 1.0 X 10, 8.8, 2-133
 Screw, Hex, M6 X 1.0 X 12, Fmg, 3-109
 Screw, Hex, M6 X 1.0 X 16, 8.8, 2-123, 2-125
 Screw, Hex, M6 X 1.0 X 20, 8.8, 2-137, 2-139, 2-167, 2-175, 2-185
 Screw, Hex, M6 X 1.0 X 20, 8.8, Ni, 2-179
 Screw, Hex, M6 X 1.0 X 20, Fmg, 3-45, 3-69, 3-71, 3-73, 3-85, 3-87, 3-89
 Screw, Hex, M6 X 1.0 X 25, 8.8, 2-95, 2-99, 2-133, 3-45
 Screw, Hex, M6 X 1.0 X 50, 8.8, 2-97, 2-101, 2-117
 Screw, Hex, M6 X 1.0 X 60, 8.8, 2-175, 3-41
 Screw, Hex, M6 X 1.00 X 12, 8.8, 2-67, 2-87, 2-89
 Screw, Hex, M6 X 1.00 X 12, Fmg, 2-29
 Screw, Hex, M6 X 1.00 X 16, 8.8, 2-19, 2-73, 2-187, 2-192
 Screw, Hex, M6 X 1.00 X 16, Ni, Ss, 2-189
 Screw, Hex, M6 X 1.00 X 20, 8.8, 2-13, 2-15, 2-19, 2-23, 2-139, 2-153, 2-189, 2-192, 3-19, 3-21, 3-23, 3-25, 3-27, 3-29, 3-55
 Screw, Hex, M6 X 1.00 X 20, 8.8, Ni, 2-33
 Screw, Hex, M6 X 1.00 X 20, Fmg, 2-171
 Screw, Hex, M6 X 1.00 X 25, 8.8, 2-9, 2-11, 2-13, 2-17, 2-19, 2-171
 Screw, Hex, M6 X 1.00 X 35, 8.8, 2-9, 2-11
 Screw, Hex, M6 X 1.00 X 35, Ss, 2-153
 Screw, Hex, M6 X 1.00 X 45, 8.8, 2-67
 Screw, Hex, M6 X 1.00 X 60, 8.8, 3-45
 Screw, Hex, M6 X 1.00 X 90, 8.8, 2-187
 Screw, Hex, M8 X 1.00 X 16, 10.9, 2-43
 Screw, Hex, M8 X 1.25 X 16, 8.8, 2-107
 Screw, Hex, M8 X 1.25 X 20, 8.8, 2-107, 2-141, 3-75
 Screw, Hex, M8 X 1.25 X 25, 8.8, 2-141, 3-75, 3-93
 Screw, Hex, M8 X 1.25 X 16, 8.8, 2-33, 2-55, 2-151, 3-93
 Screw, Hex, M8 X 1.25 X 16, Ss, 3-3, 3-5, 3-7, 3-9, 3-11, 3-13, 3-15, 3-17
 Screw, Hex, M8 X 1.25 X 20, 8.8, 2-13, 2-17, 2-19, 2-23, 2-31, 2-33, 2-109, 2-117, 2-123, 2-125, 2-135, 2-137, 2-139, 2-143, 2-153, 2-175, 2-185, 3-3, 3-5, 3-11, 3-13, 3-41, 3-76
 Screw, Hex, M8 X 1.25 X 20, Ni, Ss, 2-59, 2-153
 Screw, Hex, M8 X 1.25 X 20, Ss, 2-29
 Screw, Hex, M8 X 1.25 X 25, 8.8, 2-13, 2-15, 2-31, 2-135, 2-137, 2-139, 2-189, 3-93
 Screw, Hex, M8 X 1.25 X 25, Fmg, 3-57, 3-59
 Screw, Hex, M8 X 1.25 X 25, Ss, 2-176, 3-41
 Screw, Hex, M8 X 1.25 X 30, 8.8, 2-109, 2-175, 2-185, 2-187, 3-41, 3-75
 Screw, Hex, M8 X 1.25 X 30, Ss, 2-29
 Screw, Hex, M8 X 1.25 X 35, 8.8, 2-15
 Screw, Hex, M8 X 1.25 X 40, 8.8, 2-173, 2-175, 3-47
 Screw, Hex, M8 X 1.25 X 40, 8.8, Fl, 3-79, 3-95
 Screw, Hex, M8 X 1.25 X 50, 8.8, 2-145
 Screw, Hex, M8 X 1.25 X 60, 8.8, 2-176, 2-179, 3-42
 Screw, Hex, M8 X 1.25 X 70, 8.8, 2-151
 Screw, M6 X 10mm, 2-67, 2-83
 Screw, Pan, M04, 3-31
 Screw, Pan, M5 X 0.80 X 10, 4.8, 3-109
 Screw, Pan, Phl, M5 X 0.80 X 16, 4.8, 4-49, 4-51
 Screw, Pan, Phl, M6 X 1.0 X 20, Blk, 4-47
 Screw, Pan, Phl, M6 X 1.00 X 16, 4.8, 2-139
 Screw, Pan, Phl, M6 X 1.00 X 20, 4.8, 2-37
 Screw, Pan, Phl, M6 X 1.00 X 25, 4.8, 2-33
 Screw, Pan, Phl, M6 X 1.00 X 40, 4.8, 2-21, 2-23
 Screw, Set, 2-179, 4-11
 Screw, Set En, 4-21
 Screw, Set, .25-28 X 1.00, Ss, 2-153
 Screw, Set, Soc, M10 X 1.50 X 20, 2-153
 Screw, Set, Soc, M6 X 1.00 X 20, Pl[45h], 2-169
 Screw, Set, Soc, M8 X 1.25 X 12, Pl[45h], 2-37
 Screw, Soc, .38-16 X 1.00, Al, 2-67, 2-83, 2-87
 Screw, Soc, .38-16 X 1.25, Al, 2-47, 2-49
 Screw, Soc, .38-16 X 2.25, G5, 2-47, 2-49
 Screw, Soc, #12-24 X 1.50, 2-83, 2-87
 Screw, Soc, M4 X 0.70 X 16, 2-87
 Screw, Soc, M6 X 1.00 X 20, 12.9, 2-61, 2-69
 Screw, Soc, M6 X 1.00 X 70, 2-83, 2-87

CROSS REFERENCE

- Screw,M6X22.5mm, 5-7, 6-7
Seal, 2-7, 3-97, 3-99, 3-109, 5-9, 6-9, 7-11
Seal Kit, 4-32, 4-33
Seal Kit, 4-34, 4-44
Seal Kit, Bulb, Shkr Panl [800], 2-37
Seal Kit, Cart, 4-39
Seal Kit, Cart CP, 4-43
Seal Kit, Cart., 4-38
Seal Kit, Cartridge, 4-79, 4-81, 4-82
Seal Kit, Coil, 4-38, 4-39
Seal Kit, Coil CP, 4-43
Seal Kit, Cyl, Hyd, 4-45
Seal Kit, Front, Shaft, 2-145
Seal Kit, Hyd Mtr Gear, 4-35
Seal Kit, Motor, 4-27, 4-29
Seal Kit, Pump En, 4-3, 4-5, 4-7, 4-9, 4-13, 4-15, 4-17, 4-19
Seal Kit, Rear, 4-29
Seal Kit, Scu, 4-37
Seal Kit, Shaft, 4-27, 4-29
Seal Kit, Vlv En, 4-41
Seal Kit,Cntrl, 4-11
Seal Kit,Cntrl En, 4-21
Seal Stop, Wndw, 4-47, 4-49, 4-51
Seal, Afmkt, Bulb, 90, 0.75d F/11ga 08ft, 4-47
Seal, Afmkt, Bulb, 90, 0.75d F/11ga 20ft, 4-49, 4-51
Seal, Afmkt, Bulb, 90, 1.33 02ft, 2-19
Seal, Afmkt, Bulb, 90, 1.33 03ft, 2-17
Seal, Afmkt, Bulb, 90, 1.33 08ft, 2-13
Seal, Afmkt, Bulb, Str, 0.58d 03ft, 2-13
Seal, Afmkt, Ure, Adh, 0.38, 0.75w 01ft, 3-55
Seal, Afmkt, Ure, Adh, 0.50, 1.00w 03ft, 3-55
Seal, Afmkt, Ure, Adh, 0.50, 1.00w 08ft, 3-55
Seal, Bearing, 2-189
Seal, Boot, Steering Column, 2-189
Seal, Brush Comp, Side, 2-4
Seal, Brush, Side, Complt [800], 2-9, 2-11
Seal, Bulb, 90, 1.33 .06-.09grip 048.0l, 2-21, 2-23
Seal, Door, Rbr, 14" Lg, 4-47
Seal, Duct, 2-135, 2-137, 2-139
Seal, Dust, 2-29, 2-153
Seal, Filter, 3-109
Seal, Foam Rbr .19 .75W 8.43L, 3-97, 3-99
Seal, Foam Rbr, .19 .75W 47.1L, 3-97, 3-99
Seal, Foam, .06t .25w 34.0l, 3-61
Seal, Foam, .06t .25w 42.0l, 3-61
Seal, Foam, .06t .25w 54.0l, 3-61
Seal, Foam, .06t .25w 76.0l, 3-61
Seal, Foam, .06t .25w 84.0l, 3-61
Seal, Foam, 2.00 2.00w 37.0l, Adh, 3-55
Seal, Handle, Valve, 2-191
Seal, O-Ring .787ldx.210Th, 3-109
Seal, Org, 2-79
Seal, Org, .139 X 03.109 Id, 2-59
Seal, Org, Mixer, Lpg, 2-83
Seal, Org, Sensor, Temp [Epr], 2-84
Seal, Pan, Top, 2-4
Seal, Pulley, Shaft, 7-11
Seal, Rbr, Clsd, 0.50, 3.0w 04.0l 1/H, 2-13
Seal, Rbr, Clsd, 1.50, 2.00w 07.0l, 2-33
Seal, Rbr, Clsd, 1.50, 2.00w 26.4l, 2-33
Seal, Rbr, Clsd, 1.50, 2.00w 50.1l, 2-33
Seal, Rbr, Clsd, 1.62, Door, Brush, Lh, 2-9
Seal, Rbr, Clsd, 1.62, Door, Brush, Rh, 2-11
Seal, Rbr, Open, 0.31, 0.75w 14.8l Adh, 2-15
Seal, Rbr, Open, 0.50, 1.00w 60.0l, 2-13
Seal, Rbr, Open, 0.63, 0.63w 24.5l, 2-17, 2-21, 2-23
Seal, Rear, 5-5, 6-5
Seal, Rod, Adjuster, 2-183
Seal, Ure, 0.25, 0.50w 47.0l, 2-7
Seal, Ure, 0.38 0.75w 19.5l Adh, 2-135, 2-137, 2-139
Seal, Ure, 0.88, 1.00w 18.1l Adh, 2-29
Seal, Ure, 0.88, 1.00w 43.3l Adh, 2-29
Seal, Urethane, 3-109
Seal, Wndw [Center Wipe], 4-47, 4-49, 4-51
Seal, Valve Stem, 5-5, 6-5
Sealant, [Rtv], 03.35oz, 7-7
Sealant, [Rtv], 05.00oz, 7-7
Sealer, 7-3, 7-5
Seat Belt Kit, 3-107
Seat, Suspension [Seats Inc], 2-15
Send Unit, 2-111
Send-Unit, 2-113
Send-Unit, Filtr, Hyd, 2-165
Send-Unit, Fuel [800/810 2007], 2-117
Send-Unit, Fuel, Ohm, 2-115
Send-Unit, Press, Oil, 2-45
Send-Unit, Water, Temp, 06npt [Datcon], 2-41, 2-63, 2-75
Sender, Oil, Press [Mit], 2-50
Sensor [T Map], 2-67, 2-83, 2-87
Sensor [Tmap], 2-65, 2-79
Sensor Assy, Thermal, 2-187
Sensor, Exhaust, Tailpipe, 2-109
Sensor, Manifold Press, 4-71, 4-73, 4-75, 4-77
Sensor, Oxygen, 2-107
Sensor, Oxygen [Gm 1.6l/3.0l 2007], 2-109
Sensor, Spd, Timing Wheel [3.0l], 2-65, 2-67, 2-79, 2-84, 2-87
Sensor, Temp, 2-65, 2-67, 2-79, 2-83, 2-89, 4-71, 4-73, 4-75, 4-77
Sensor, Temp [Epr, 2-84
Sensor, Temp, Coolant, 2-63, 2-65, 2-67, 2-79
Sensor, Temp, Water, 2-75
Sensor,Crnksft, 5-7, 6-7
Separator, 5-3, 5-24, 6-3, 6-24
Shaft, 3-97, 3-99, 4-33, 7-5
Shaft and Brg, 4-27, 4-29
Shaft Wldt, Main Brush, 2-179
Shaft, Drive Sp En, 4-3, 4-7, 4-13, 4-17
Shaft, Eccentric, 2-37
Shaft, Idler, 2-179
Shaft, Input, 4-11
Shaft, Input En, 4-21
Shaft, Motor, Hyd, 4-31
Shaft, Pivot, 2-173, 3-47, 3-109
Sheave Assy, 02grv, 6.2pd [Hc38], 2-41
Sheave, [3L], 1Grv, 03.5Pd 0.67B, 3-75, 3-93
Sheave, 01grv, 03.5pd 0.67b [3l], 3-79, 3-95
Sheave, Alternator, Se, 3-91
Sheave, Aux, [Hc38], 1Grv 6.8od [Gm 3.0L], 3-75
Sheave, Aux, 1grv, 06.8od [Gm3.0l, Hc38], 3-79
Sheave, Water Pump, 5-23, 6-23
Shft Asy,Output, 5-9, 6-9
Shield, 7-3
Shield Wldt, Heat, Manifold, 2-133
Shield, Dust, 2-45, 2-47, 2-49
Shield, Dust, Front Firewall, Full, 2-7
Shield, Heat, 2-63, 2-76, 2-107, 2-109
Shield, Heat [Gm3.0l 2010], 2-67, 2-87
Shield, Heat, Alternator [2007], 2-57
Shield, Heat, Alternator [Gm3.0l 10], 2-67, 2-87
Shield, Heat, Alternator, Hd[800/810 07], 3-79, 3-95
Shield, Heat, Manifold, 2-67, 2-83
Shim, 4-31
Shim .003Th 0.88Odx0.506ld, 2-185
Shim .005Th 0.88Odx0.506ld, 2-185
Shim .010 Thk En, 4-41
Shim .010Th 0.88Odx0.506ld, 2-185
Shim .015 Thk En, 4-41
Shim .020Th 0.88Odx0.506ld, 2-185
Shim .035 Thk En, 4-41
Shim .060Th 0.880Dxo.506ld, 2-185
Shims En, 4-5, 4-9, 4-15, 4-19
Shoe, Brake, 4-67, 4-69
Short Tube, 5-3, 6-3
Shroud Kit, Fan, Radiator [800/810], 2-139
Shroud Wldt, Fan, Radiator [800/810], 2-139
Shroud, Fan, Radiator, W/ Label [800], 2-135, 2-137
Signal Turn, 3-31
Skirt, 3-101, 3-103
Skirt, Brush Door, 2-4
Skirt, Cooling Fan [800/810], 2-139
Skirt, Cover, Sbd, 3-101, 3-103
Skirt, Deflection, 3-101, 3-103
Skirt, Front, Indoor, 2-4
Skirt, Neo, .06, 08.00w 53.38l, 04/ Sl, 2-7
Skirt, Neo, .12, 08.25w 48.37l, 06/ Sl, 2-29
Skirt, Neo, .12, Angle, 31.23l, 06/ Hole, 2-29
Skirt, Neo, .18, 05.62w 48.37l, 06/ Sl, 2-29
Skirt, Neo, .18, 07.75w 54.75l, 05/ Sl, 2-7

Skirt, Neo, .37, 07.50w 21.75l, 04/ Sl, 2-9, 2-11
 Skirt, Rbr, .25, 07.45w 06.37l, 02/ Hole, 2-9, 2-11
 Skirt, Rbr, .25, 07.84w 13.50l, 03/ Sl, 2-9, 2-11
 Skirt, Retainer, 3-101
 Skirt, Seal, Main Brush, 2-4
 Sleeve, 2-91, 2-93, 2-95, 2-99, 3-41
 Sleeve .438B 1.00D .35Stl, 3-41
 Sleeve .344B .50D .81 Cr.Anc, 2-151
 Sleeve .375B .62D1.06 Stl, 2-145
 Sleeve .375B .75D .32 Stl, 2-175, 3-41
 Sleeve .438B 1.00D .35 Stl, 2-175
 Sleeve, 0.406B .750D .800Stl, 3-41
 Sleeve, 0.406B 0.75D1.80 Stl, 2-175, 3-41
 Sleeve, Alternator, 2-53, 2-55, 2-57, 3-79, 3-93, 3-95
 Sleeve, Dashpo, Pump, Hyd, Gear, 4-31
 Sleeve, Hyd 30", 2-179
 Sleeve, Nyl, #27 55.0l, 3-49
 Sleeve, Nyl, #33 65.0l, 3-65, 3-73, 3-83, 3-89
 Sleeve, Nyl, 1.63id 08.0l, 2-155, 2-163
 Sleeve, Nyl, 1.63id 16.0l, 2-155, 2-163, 2-165
 Sleeve, Nyl, 1.63id 65.0l, 2-171
 Sleeve, Nyl, 37, 25.0l, 2-145
 Sleeve, Nylon #27 55.0l, 3-45
 Sleeve, P/M, 0.496d 0.318b 0.50l 430ss, 2-175
 Sleeve, P/M, 0.496d 0.318b 0.65l 430ss, 2-175
 Sleeve, Throttle, Plstc [Bosch], 2-79
 Sleeve, 0.406B .750D .800 Stl, 2-175
 Solenoid, 5-9, 6-9
 Solenoid, Valve, Hyd, 4-81, 4-82
 Solenoid, Valve, Hyd, 36vdc, 4-79, 4-81, 4-82
 Spacer, 2-63, 2-75, 2-135, 2-137, 2-139, 2-151, 2-169, 2-175, 2-185, 3-41, 3-45, 3-47, 5-15, 6-15
 Spacer En, 4-41
 Spacer Plate, 4-33
 Spacer-.50 Od X .055W X 1.0, 2-151
 Spacer, Brake, 2-151
 Spacer, Condenser, 4-55, 4-57
 Spacer, Nyl, 4-47
 Spacer, Sppt, Fltr Lock Off, 2-79
 Spark Plug, 5-24, 6-24
 Spark Plug Wires (Straight Boots), 7-5
 Spark Plug-10 FD, 2-4
 Sparkplug, 2-4
 Sparkplug [Gm 3.0], 2-4, 7-3
 Spindle, Adjustment, 2-17
 Spring, 4-27, 4-29, 4-31, 4-67, 4-69, 7-3, 7-9
 Spring En, 4-41
 Spring Assy Kit, 2-7
 Spring Assy, Centering, Lbs . Travel, 2-153
 Spring En, 4-5, 4-9, 4-15, 4-19, 4-41

Spring Kit, 4-37
 Spring, Cntr, 4-11
 Spring, Cntr En, 4-21
 Spring, Comp, 3-47
 Spring, Dsl, 0.75od 0.38id 1.50l, 2-37
 Spring, Dsl, 1.00od 0.50id 1.70l, 2-173
 Spring, Extension, 3-47
 Spring, Extn, 0.96od 0.09wir 04.4l, 2-33
 Spring, Extn, 1.00od 0.09wir 02.8l, 2-153
 Spring, Extn, 1.00od 0.15wir 05.8l, 2-173
 Spring, Gas 80 Lb, 3-57, 3-59
 Spring, Motor, Hyd, 4-31
 Spring, Tens, 0.5Dx.06Wire 2.5L, 2-151
 Spring, Tension, 2-181, 5-19, 6-19
 Spring, Tors, 0.81id .09wir 0.3coil, Rh, 2-171
 Spring, Torsion, 3-45
 Spring, Retainer, 4-11
 Spring, Retainer En, 4-21
 Sprng, Comp, 0.62ldx.06Wire 2.3L, 2-189
 Sprng, Comp, 0.83ldx.07Wire 1.0L, 3-97, 3-99
 Sprng, Comp, 0.87ldx.10Wire 2.5L, 2-183
 Starter, 12vdc [Gm], 2-45, 2-47, 2-49
 Statnry Gear, 5-9, 6-9
 Std.Exh.Valve, 5-21, 6-21
 Std.Int.Valve, 5-21, 6-21
 Steer Control Hyd#4 04.5 1300, 4-37
 Steer Control, Hyd (See Breakdowns), 2-189
 Stem, Valve, Hyd, 4-79, 4-81
 Strain, Relief, 3-109
 Strainer-Hyd Suction 25-100-03, 2-4, 2-163
 Strainrelief, 2-39
 Strap Weldmt, Gas Tank, 2-111
 Strap Wldt, Tank, .06th X 1.0w, 37.7l, 2-113, 2-115
 Strap Wldt, Tank, 0.06 1.0w 37.7l, 2-117
 Strap, Hinge - Lp Tank Mtg, 2-119, 2-121, 2-123, 2-125
 Strap, Mtg, Actuator, Govnr, 2-61, 2-69
 Strap, Mtg, Fltr, Air, 7.17id, 2-97, 2-101
 Strap, Mtg.- Lp Tank, 2-119, 2-121, 2-123, 2-125
 Strap, Retainer, Seal, 2-4
 Strap, Tank Retainer - Lp, 2-119, 2-121, 2-123, 2-125
 Strip, Retainer, Bearing, 2-179
 Strip, Retainer, Brake Cable, 2-151
 Strip, Retainer, Skirt, 2-4, 3-101, 3-103
 Strip, Stl, 0.12 01.00w 08.30l, 2-13
 Stud, 5-15, 5-23, 6-15, 6-23, 7-11
 Stud M12, 5-3, 6-3
 Stud, .003" O.S., 7-3
 Stud, .013" O.S., 7-3
 Stud, .38-16 X 1.2l, 2-65, 2-67, 2-83, 2-87
 Stud, Adjustment, 3-97, 3-99
 Stud, Intake Manifold To Cyl Head, 2-63, 2-65, 2-75, 2-80
 Stud, Intake To Exhaust Manifold, 2-63, 2-65, 2-75, 2-79

Stud, Pipe, Exhaust, 2-63, 2-65, 2-75, 2-80
 Stud, Wheel .56-18x2.13, 2-145, 2-147
 Stud, M6X61.8mm, 5-7, 6-7
 Stud, M8X51.0mm, 5-7, 6-7
 Support Wldt, Seat, 2-15
 Support Wldt, Seat [800 Gray], 2-15
 Switch, 3-31
 Switch Assy, Pressure, Hyd, 2-167
 Switch Assy, Roller-no, 3-27, 3-29
 Switch Ignition, 2-191
 Switch Rocker Spst, 2-175, 3-41
 Switch, 3 Pos, Blower, Heat, 3-63, 3-69, 3-71, 3-81, 3-85, 3-87
 Switch, A/C [Binary], 4-55, 4-57
 Switch, Motor, Wiper, 12v, 4-47
 Switch, Press, 0006psi Dpdt, 2-41
 Switch, Press, 0020psi Spdt, 2-39
 Switch, Press, 0070psi Spst Nc 12vdc 08a, 2-71, 2-73
 Switch, Press, 12vdc 08a Spst Nc 0070psi, 2-121, 2-123, 2-125
 Switch, Press, 7psi, Spdt, 2-47, 2-49
 Switch, Pressure, 3-109
 Switch, Pushmom, Spst100A 12V, 2-189
 Switch, Rocker, Dpdt, 2-181, 2-191
 Switch, Snap, 15a No, Rlr, 2-25
 Switch, Thermo, A/C, 3-63, 3-69, 3-71
 Switch, Lockout En, 4-21
 Swivel, 3-65, 3-73, 3-83, 3-89

T

Taillight, 12vdc, 6.0 X 2.5, Rwk 57940, 2-7
 Tank Wldt, Hydraulic w/label, 2-163
 Tank-Lp, 33#, Liq, Both, Fill Ga, 2-119, 2-121, 2-123, 2-125
 Tank, Coolant, 03.5 03.0 06.5deep 1.0 Qt, 2-135
 Tank, Coolant, 04.7 03.3 4.7deep, 1liter, 2-137, 2-139
 Tank, Coolant, 06.0 04.5 06.9deep 2.5 Qt, 2-135
 Tank, Fuel, 2-111
 Tank, Fuel, 14 Gas 14.7 13.0 19.0l, 2-113
 Tank, Fuel, 14 Gas 14.7 13.0 19.0, 2-115
 Tank, Fuel, 14.0gal, 14.66w 13.0hi 19.0l, 2-117
 Tap. Assy-Valve, 5-21, 6-21
 Temperature sensor, 5-23, 6-23
 Tensioner, Arm, 5-19, 6-19
 Term. Cover, 5-9, 6-9
 Terminal, Qm, .25 16-14ga, Blu, F-Ins, 4-47
 Therm 190 W/Gsk, 5-23, 6-23
 Thermostat, 7-3
 Tie, Cable, 3-3, 3-5, 3-7, 3-9, 3-11, 3-13, 3-15, 3-17, 3-27, 3-29, 3-31
 Tie, Cable 1.75D Max 7.50Lg, 3-19, 3-21, 3-23, 3-25, 3-109
 Tie, Cable 3.00D Max 11.41Lg, 2-189
 Tie, Cable 4.00 Max 14.50Lg, 3-109
 Tie, Cable, 11.3l, 2.75d Max, 2-139

CROSS REFERENCE

Tie, Cable, 20.0l, 6.00d Max, 2-185
Tie, Cable, Nyl, 07.3l .19w 1.8 Max D,
2-39, 3-63, 3-69, 3-71, 3-111
Tie, Cable, Nyl, 11.4l .19w 3.0 Max D, 2-7
Tie, Cable, Nyl, 11.5l .19w, 2-75
Tie, Cable, Nyl, 15.3l . W 4.5 Max D,
3-65, 3-73, 3-83, 3-89
Timing Belt, 5-19, 6-19
Tire & Flap Assy, 2-149
Tire & Rim Assy, Pneu 6.50-10, 2-149
Tire and Rim Assy, Solid 6.5, 3-106
Tire, Solid, 3-106
Tray Wldt, Drip, Gas [3.0l], 2-65
Tread, Non-Skid, 01.4w 12.0l, 2-7
Tread, Non-Skid, 02.2w 11.5l, 2-153
Tread, Rubber, 3-55
Tube Assy, Brake, 2-151
Tube Assy, Fuel .310d, 2-111
Tube Asy,Cond/Dry, 4-55, 4-57
Tube Wldt, Brace, Cntr, 2-17
Tube Wldt, Intake, 2.0d .38npt, 2-93
Tube Wldt, Tee, 2-95, 2-97, 2-99, 2-101
Tube, 0.26id 0.38od 00.6l, Stl, Pl, 2-169
Tube, 0.34id 0.44od 00.5l, Stl, 2-33
Tube, 0.34id 1.00od 00.5l, Stl, Pl, 2-173
Tube, 0.38id 0.50od 00.6l, Ss, 2-37
Tube, 0.38id 0.62od 00.6l, Stl, 2-15
Tube, 0.41id 0.62od 00.5l, Stl [H/T], 2-153
Tube, 0.44id 0.62od 00.4l, Stl, 2-171,
2-173, 3-45, 3-47
Tube, 0.44id 0.62od 02.4l, Stl, 2-33
Tube, 0.44id 0.75od 00.3l, Stl, Pl, 2-171
Tube, 0.50id 1.00od 01.0l, Stl, Pntd, 2-53,
2-55, 2-57, 3-79, 3-95
Tube, 0.53id 1.00od 01.4l, Stl [Q], 2-31
Tube, 0.62D .44B 2.44, Stl, 3-57, 3-59
Tube, 00.75d 00.41b 03.3l Stl Pl, 3-75
Tube, 01.00d 00.44b 00.7l Stl Pl,
3-93
Tube, 01.00d 00.50b 01.0l Stl Pnt, 3-75
Tube, 1.28id 1.50od 00.4l, Stl, 2-27
Tube, Bleed, Air, .62od 2.2l .12npt, Alm,
2-61, 2-71, 2-73
Tube, Coolant, 1.5d Upper, Gas/Lpg,
2-129, 2-131
Tube, Coolant, 1.5d W/.25npt Low, G/Lpg,
2-129, 2-131, 2-133
Tube, Coolant, 1.5od Lower, 2-127
Tube, Cross, Bumper, Se, 3-38
Tube, Ds, 7-7
Tube, Exhaust, 2.0d [Gm3.0] [800/810],
2-105, 2-107
Tube, Exhaust, Lower, [800/810, 2007],
2-109
Tube, Exhaust, Rear, 2-107
Tube, Exhaust, Rear [Gm3.0l 800/810 07],
2-109
Tube, Inner, 2-149
Tube, Intake, 2.0d 04.0l, 2-93
Tube, Mach, Retainer, Spring , 1.0d 1.7l,
2-181
Tube, Radiator, Upper [800gas/Lpg],
2-133

Tube, Radiator, Upper, Gas/Lpg, 2-127
Tube, Spacer, Brush Lift, 2-181
Tube, Tailpipe, 2-109

V

Vac.Fitting, 5-15, 6-15
Valve, 4-27, 4-29, 4-31, 7-7, 7-9
Valve - Hyd., Solenoid, 4-38
Valve [Pc], 2-67, 2-83, 2-87
Valve [Pcv], 2-45, 2-65, 2-79
Valve Assy, Ball, 3 Way,
Em10/Em10/Em10, 3-65, 3-73,
3-83, 3-89
Valve Guide Bushing, 5-21, 6-21
Valve Plate, 4-5, 4-9, 4-15, 4-19, 4-27,
4-29
Valve Rocker Arm, 5-21, 6-21
Valve Rocker Arm Cover, 5-21, 6-21
Valve Spool, 4-11
Valve Spring, 5-21, 6-21
Valve Spring Key, 5-21, 6-21
Valve Spring Retainer, 5-21, 6-21
Valve Stem N.O. CP, 4-43
Valve Stem 4W2P, 4-39
Valve Stem 4W2P CP, 4-43
Valve Stem Seal, 5-21, 6-21
Valve Stem, N.D., 4-38
Valve-Hyd, Solenoid (See Breakdowns),
2-167, 2-187, 3-45
Valve, Ball, 3-way, 08pf/08pf/08pf Brs,
3-65, 3-73, 3-83, 3-89
Valve, Cartridge, Check, 4-81, 4-82
Valve, Cartridge, Flow Reg, 4-81
Valve, Cartridge, Relief, 4-81
Valve, Check, 2-79
Valve, Cntrl, Hyd, Solenoid, 12vdc 06gpm,
4-82
Valve, Cntrl, Hyd, Solenoid, 12vdc 06gpm
(See Breakdowns), 2-175, 3-41
Valve, Cntrl, Hyd, Solenoid, 12vdc 08gpm,
4-81
Valve, Cntrl, Hyd, Solenoid, 12vdc 08gpm
(See Breakdowns), 2-167
Valve, Cntrl, Hyd, Solenoid, 12vdc 12gpm,
4-79
Valve, Cntrl, Hyd, Solenoid, 12vdc 12gpm
(See Breakdowns), 2-187, 3-45
Valve, Drive, Motor, Hyd, 4-31
Valve, Exhaust, 7-3
Valve, Expansion, 4-59, 4-61
Valve, Fuelock, Lpg, Wire Connector, 2-79
Valve, Hyd Control Man, 4-41
Valve, Hyd Control Man (See
Breakdowns), 2-169
Valve, Hyd Control Solenoid, 4-39, 4-43
Valve, Hyd Solenoid (See Breakdowns),
2-175
Valve, Hyd, Solenoid (See Breakdowns),
3-41
Valve, Intake, 7-3
Valve, Lock Off, 2-83, 2-89
Valve, Lpg [Mixer], 2-83

Valve, PCV, 2-4
Valve, Press Relief, Lpg Rego, 2-119,
2-121, 2-123, 2-125
Valve, Trim, Fuel, Lpg, 2-79
Valve, Trim, Press, Lpg, 2-79
Valve, Water, Heater, H, 10bm, 3-65, 3-83
Vaporizer / Reg, Lpg [Impco], 2-71
Vaporizer Kit, Repair, F/383170, 2-73
Vaporizer Kit, Replmt, 2-71
Vaporizer, Lpg, 2-75
Video, Oprtr, Training, Dvd [800], 3-114
Vlv Spool Wide En, 4-21

W

Wand, 3-97
Wand Kit, Vac, 3-97
Wand Wldt [800 Gray], 3-99
Wand, Vacuum [800 Gray], 3-99
Warning Label, Starter, 5-21, 6-21
Wash M15 1.530d, 5-13, 6-13
Washer, 2-31, 2-145, 2-191, 4-3, 4-7,
4-13, 4-17, 4-23, 4-25, 5-9, 5-11,
5-19, 6-9, 6-11, 6-19, 7-5, 7-9,
7-12
Washer , 7-9
Washer Flat,0.50,Sae, 2-17, 2-19, 2-31,
2-153, 2-171, 2-189
Washer En, 4-3, 4-5, 4-7, 4-9, 4-13,
4-15, 4-17, 4-19, 4-41
Washer-Belleville .31 Pltd, 3-41
Washer-Flt .25 Fender, 3-55
Washer-Loc Int-Ext .31 Pltd, 3-51, 3-53
Washer-Loc Int-Ext .25 Pltd, 3-31
Washer-Loc Int-Ext 10 Pltd, 3-31
Washer, .310B .88D .12Rbr, 3-45
Washer, .344B .69D .06Nylon, 3-109
Washer, .531B 1.75D .12Cr.Znc, 2-179
Washer, 0.25b 1.12d .12, Ss, 2-121
Washer, Belleville, .25, 3-45
Washer, Belleville, .31, 2-135, 2-137,
2-139, 2-141, 3-75, 3-93
Washer, Belleville, .50, 2-179
Washer, Fender, 2-91, 2-93, 2-95, 2-99
Washer, Flat, 3-45
Washer, Flat, .28b 0.75d 1.80, Ne, 4-47
Washer, Flat, .31 Std, 2-129, 2-131
Washer, Flat, .38 Sae, 3-93
Washer, Flat, #10, 2-97, 2-101, 2-123,
2-125, 2-137, 2-139, 2-167, 2-175,
3-41
Washer, Flat, 0.19b 0.44d .05, Pl, 08,
2-67, 2-87, 2-187
Washer, Flat, 0.25 Sae, 2-179
Washer, Flat, 0.25 Std, 2-95, 2-99, 2-135,
3-69, 3-71, 3-73, 3-85, 3-87, 3-89
Washer, Flat, 0.25, Fendr, 2-9, 2-11
Washer, Flat, 0.25, Sae, 2-9, 2-11, 2-45,
2-47, 2-49, 2-67, 2-73, 2-87, 2-89,
2-117, 2-133, 2-185, 2-187, 3-27,
3-29, 4-47, 4-49, 4-51

- Washer, Flat, 0.25, Std, 2-17, 2-23, 2-67, 2-83, 2-87, 2-117, 2-139, 2-153, 2-187, 3-3, 3-5, 3-11, 3-13, 3-45, 3-55
- Washer, Flat, 0.25b 0.56d .05, Pl, 10, 2-13, 2-15, 2-19, 2-29, 2-33, 2-59, 2-153, 2-187, 2-189, 2-192, 3-3, 3-5, 3-7, 3-9, 3-11, 3-13, 3-15, 3-17, 3-19, 3-21, 3-23, 3-25, 4-49, 4-51
- Washer, Flat, 0.28b 0.62d .06, Nyl, 2-61
- Washer, Flat, 0.28b 1.00d .06, Stil, 2-75
- Washer, Flat, 0.28b 1.00d .06, Stil, Blk, 4-47
- Washer, Flat, 0.28b 1.38d .12, Hrs Pl, 2-169
- Washer, Flat, 0.31 Fender, 3-51, 3-53
- Washer, Flat, 0.31 Ss, 3-57, 3-59
- Washer, Flat, 0.31 Std, 2-107, 2-135, 2-137, 2-139, 2-141, 2-151, 2-176, 2-185, 3-41, 3-75, 3-76
- Washer, Flat, 0.31, Hardened, 2-57
- Washer, Flat, 0.31, Sae, 2-13, 2-29, 3-3, 3-5, 3-11, 3-13
- Washer, Flat, 0.31, Std, 2-15, 2-17, 2-19, 2-23, 2-31, 2-33, 2-53, 2-97, 2-101, 2-109, 2-117, 2-123, 2-125, 2-143, 2-145, 2-153, 2-165, 2-173, 2-187, 3-47, 3-57, 3-59, 3-79, 3-95
- Washer, Flat, 0.31b 0.88d .12, Rbr, 2-187, 4-47
- Washer, Flat, 0.32b 1.00d .12, Ss, 2-153
- Washer, Flat, 0.34b 0.69d .06, Nyl, 2-39
- Washer, Flat, 0.38 Sae, 3-45, 3-47, 3-76
- Washer, Flat, 0.38 Std, 2-107, 2-135, 2-137, 2-139, 3-45, 3-47, 3-73, 3-75, 3-89
- Washer, Flat, 0.38, Hardened, 2-67, 2-83, 2-87
- Washer, Flat, 0.38, Sae, 2-17, 2-19, 2-50, 2-53, 2-55, 2-57, 2-89, 2-153, 2-171, 2-173, 2-189, 3-79, 3-95
- Washer, Flat, 0.38, Std, 2-9, 2-11, 2-17, 2-25, 2-27, 2-37, 2-45, 2-47, 2-49, 2-53, 2-109, 2-143, 2-153, 2-171, 2-173, 2-175, 2-185, 3-7, 3-9, 3-15, 3-17, 3-57, 3-59, 3-79, 4-49, 4-51
- Washer, Flat, 0.38b 0.88d .08, Ss, 2-29, 2-59, 3-57, 3-59
- Washer, Flat, 0.39b 0.75d .06, Nyl, 2-123, 2-125
- Washer, Flat, 0.40b 1.12d .12, Stil, Pl, 2-187
- Washer, Flat, 0.44, Std, 2-9, 2-11, 2-145
- Washer, Flat, 0.44b 2.00d .12, Stil, Pl, 2-135, 2-137, 2-139
- Washer, Flat, 0.44b 1.00d .08, Ss, 2-37
- Washer, Flat, 0.50 Sae, 2-179
- Washer, Flat, 0.50, Sae, 2-143, 2-145
- Washer, Flat, 0.50, Std, 2-13, 2-21, 2-23, 2-45, 2-47, 2-49
- Washer, Flat, 0.52b 0.90d .07, Stil, Pl, 2-153
- Washer, Flat, 0.53b 1.88d .12, Stil, Pl, 2-13, 2-43, 2-45, 2-47
- Washer, Flat, 0.53b 2.13d .11, Stil, Pl, 2-43, 2-45, 2-47, 2-49
- Washer, Flat, 0.62, Sae, 2-183
- Washer, Flat, 0.71b 2.25d .19, Stil, Csk, 2-173, 3-47
- Washer, Flat, 0.75, Sae, 2-145
- Washer, Flat, 0.75, Std, 3-95
- Washer, Flat, 08, 3-27, 3-29
- Washer, Flat, 1.02b 1.75d .12, Stil, 2-147
- Washer, Flat, 1.30b 3.00d .06, Stil, 2-173, 3-47
- Washer, Flat, Belleville, .25, 2-9, 2-11, 2-17, 2-19, 2-23, 2-171
- Washer, Flat, Belleville, .31, 2-13, 2-33, 2-55, 2-57, 2-143, 2-189, 3-79, 3-95
- Washer, Flat, Belleville, .38, 2-165
- Washer, Flat, Belleville, .50, 2-173, 3-47
- Washer, Flat, M10, Ss, 2-175, 3-41
- Washer, Lock, .38, 3-75, 3-93
- Washer, Lock, #10, 2-45, 2-47, 2-49
- Washer, Lock, 0.25, 2-45, 2-47, 2-49
- Washer, Lock, 0.31, 2-45, 2-47, 2-49, 2-53
- Washer, Lock, 0.38, 2-45, 2-47, 2-49, 2-53, 2-67, 2-83, 2-87
- Washer, Lock, Int / Ext, 0.38, 2-67, 2-83, 2-87
- Washer, Lock, Int-ext, .38, 3-93
- Washer, Lock, Int-Ext, 0.31, 2-17
- Washer, Lock, Int-Ext, 0.38, 2-50, 2-55, 2-57
- Washer, Lock, Int, #08, 2-115, 2-117, 3-75, 3-79, 3-93, 3-95
- Washer, Lock, Int, #10, 2-115, 2-117
- Washer, Lock, Int, 0.25, 2-73, 2-107, 2-109, 3-19, 3-21, 3-23, 3-25
- Washer, Lock, Int, 0.31, 2-135, 2-137, 2-165, 2-187
- Washer, Lock, Int, 0.31 Ss, 3-57, 3-59
- Washer, Lock, Int, 0.31, Ss, 3-57, 3-59
- Washer, Lock, Int, 08 Ss, 3-109
- Washer, Lock, Int, 10, 2-57
- Washer, Lock, Int, 10, Ss, 2-179
- Washer, Lock, M5, 2-45, 2-47, 2-49
- Washer, Manifold, Exhaust, 2-63, 2-65, 2-75, 2-79
- Washer, Rbr, .12 0.31b 0.88d, 2-135, 2-175, 3-41
- Washer, Thrust, 0.50b 0.87d 0.06w, 2-7
- Washer, Thrust, 0.53b 1.00d 0.03w[Fbrgl], 2-37
- Washer, Lock Special, 2-145
- Water Outlet, 5-23, 6-23
- Water Pump, 5-23, 6-23, 7-12
- Weight, Counter, Gas/Lpg, 2-7
- Wheel, Steering, 2-189
- Wheel, Steering, 14.0d 0.81b 36tooth, 2-189
- Wire, 7-5
- Wire Asy, Spark Plug, 5-24, 6-24
- Wire Harness, 5-24
- Wire Kit, Ground, Repair [2.3l Ford Lpg], 2-71
- Wire Set, Sparkplug (90 Degree Boots), 7-5
- Wire, 10ga 16.0l Blk .38ring /.25ring, 3-75, 3-93
- Wire, 10ga 09.0l Blk .19ring /.41ring, 2-41
- Wire, 10ga 16.0l Blk .25ring /.38ring, 3-79, 3-95
- Wire, 16ga 06.0l Blk .25qf /.31ring, 2-17
- Wire, 42.0 Lg, 2Ga, Neg, 2-141
- Wire, Coil, 7-5
- Wire, Dome Light, 4-47
- Wire, Ground, 2-53, 2-55, 2-57, 3-91

