

Spare parts list



360

ULTIMAXX



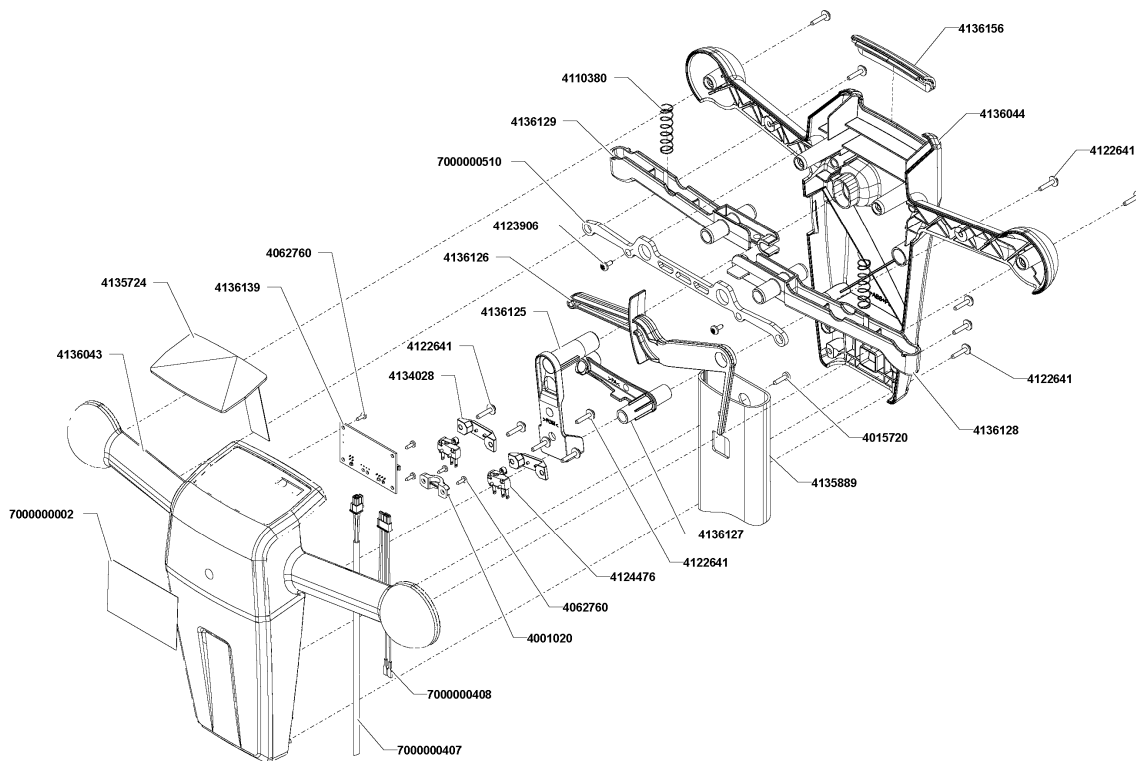
Table of contents

| | |
|--|----|
| TASKI ULTIMAXX 360_1 (TASKI ultimax 360_0) | 3 |
| Handle (Handle) | 4 |
| Upper part (Upper part) | 6 |
| Fresh water tank compl (7000001513) | 8 |
| Guide bar (Guide bar) | 10 |
| Drive part (Drive part) | 12 |
| Brush plate (Brush plate) | 14 |
| Brush plate (Brush plate) | 16 |
| Tank holder compl (4135907) | 18 |
| Motor plate (Motor plate) | 20 |
| Motor plate (7000001571) | 22 |
| Suction unit compl (7000001451) | 24 |
| Waste water tank (Waste water tank) | 26 |
| Waste water tank compl (7000001477) | 28 |
| Cover (Cover) | 30 |
| Tank (Tank) | 32 |
| Tank insert compl (7000001576) | 34 |
| Battery / Charger | 36 |
| Electrical diagram | 38 |

TASKI ULTIMAXX 360_1 (TASKI ultimax 360_0)



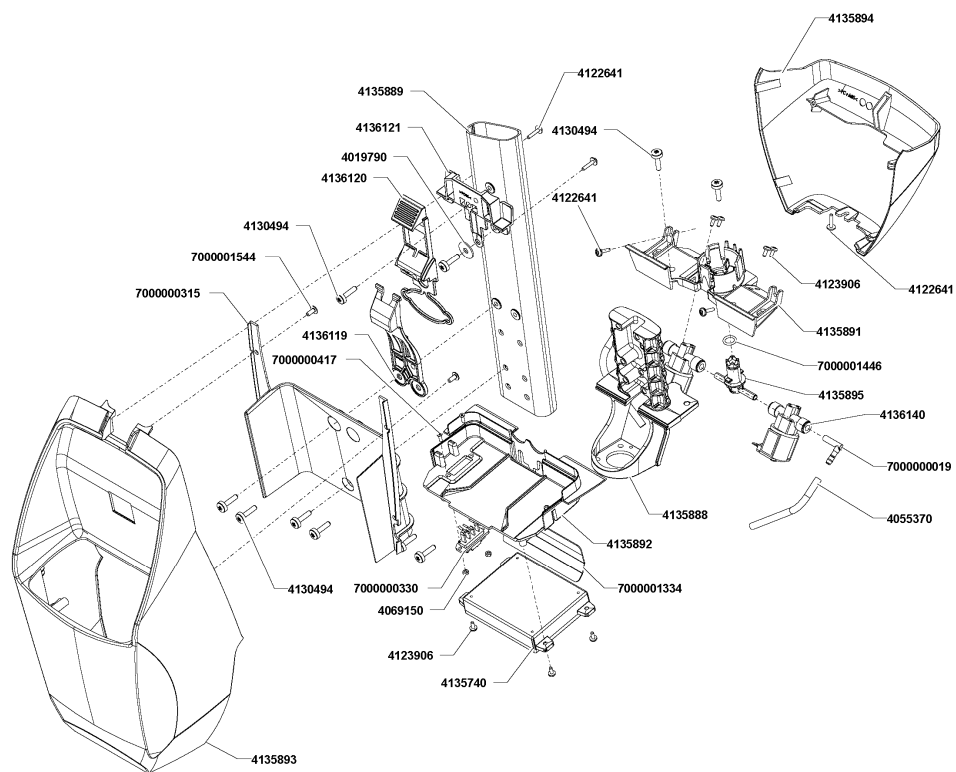
| Article no. | Description | Quantity | Unit |
|------------------|------------------------|----------|------|
| Handle | Handle | 1 | PC |
| Upper part | Upper part | 1 | PC |
| 7000001513 | Fresh water tank compl | 1 | PC |
| Guide bar | Guide bar | 1 | PC |
| Drive part | Drive part | 1 | PC |
| Waste water tank | Waste water tank | 1 | PC |
| | Battery / Charger | | |
| | Electrical diagram | | |



Handle (Handle)

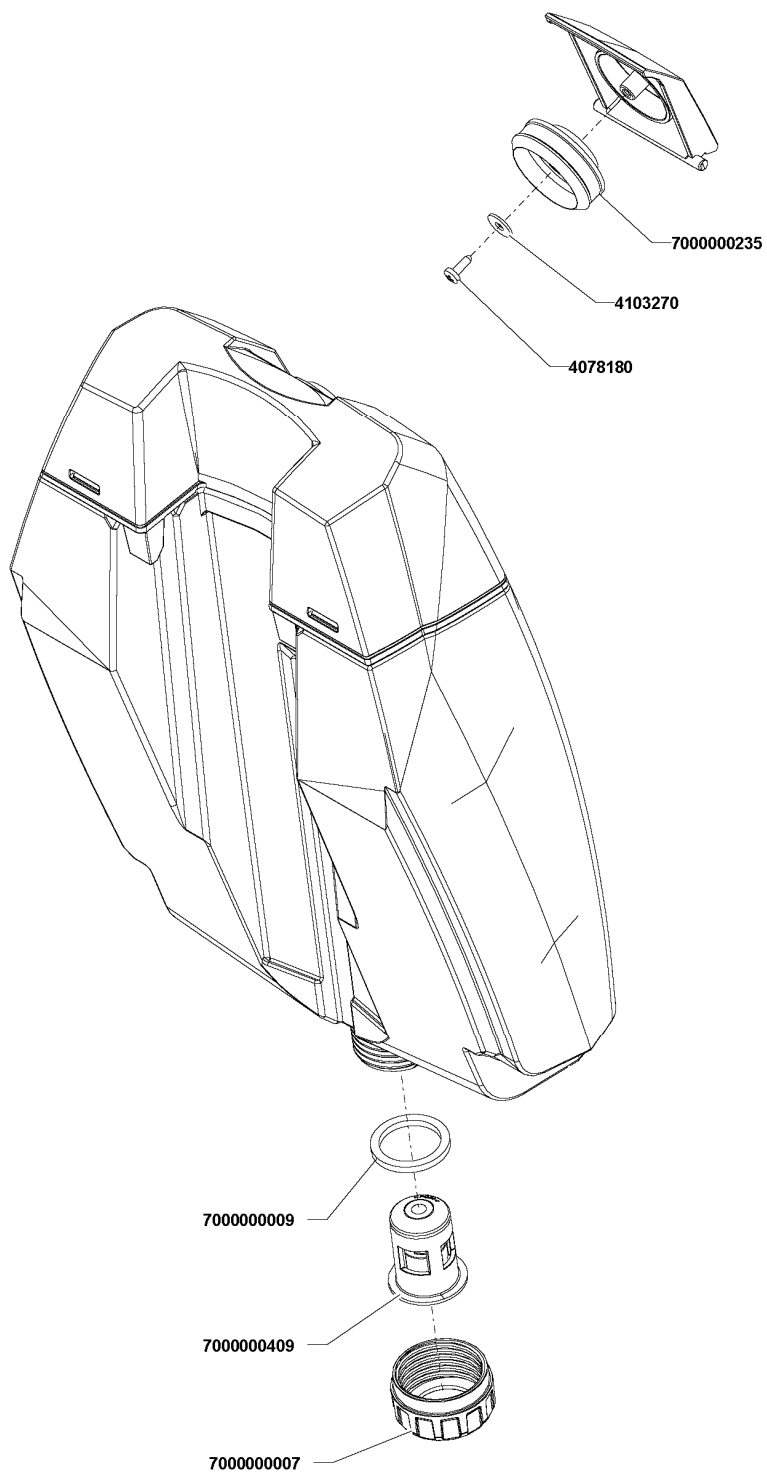
| Article no. | Description | Quantity | Unit |
|-------------|-------------------------------|----------|------|
| 4136044 | Handle housing | 1 | PC |
| 4136156 | Bumper | 1 | PC |
| 4136043 | Handle housing | 1 | PC |
| 4135889 | Profile pipe | 1 | PC |
| 4136128 | Lever | 1 | PC |
| 4124476 | Microswitch | 2 | PC |
| 4134028 | Holder | 2 | PC |
| 7000000408 | Wire harness | 1 | PC |
| 4136139 | Electronics | 1 | PC |
| 7000000407 | Connecting cable 4L | 1 | PC |
| 4062760 | Screw for plastic KA30x8 | 6 | PC |
| 7000000510 | Support | 1 | PC |
| 4110380 | Pressure spring | 2 | PC |
| 4136129 | Lever right | 1 | PC |
| 4136127 | Driving stud | 1 | PC |
| 4001020 | Clamp | 1 | PC |
| 4136126 | Lever | 1 | PC |
| 4136125 | Holder | 1 | PC |
| 4135724 | Keypad | 1 | PC |
| 4123906 | Screw for plastic Torx KA40x8 | 2 | PC |
| 4122641 | Screw delta PT Torx 40x16 | 17 | PC |
| 4015720 | Screw for plastic KA40x14 | 1 | PC |
| 7000000002 | Decorative label ULTIMAXX 360 | 1 | PC |

Upper part (Upper part)



Upper part (Upper part)

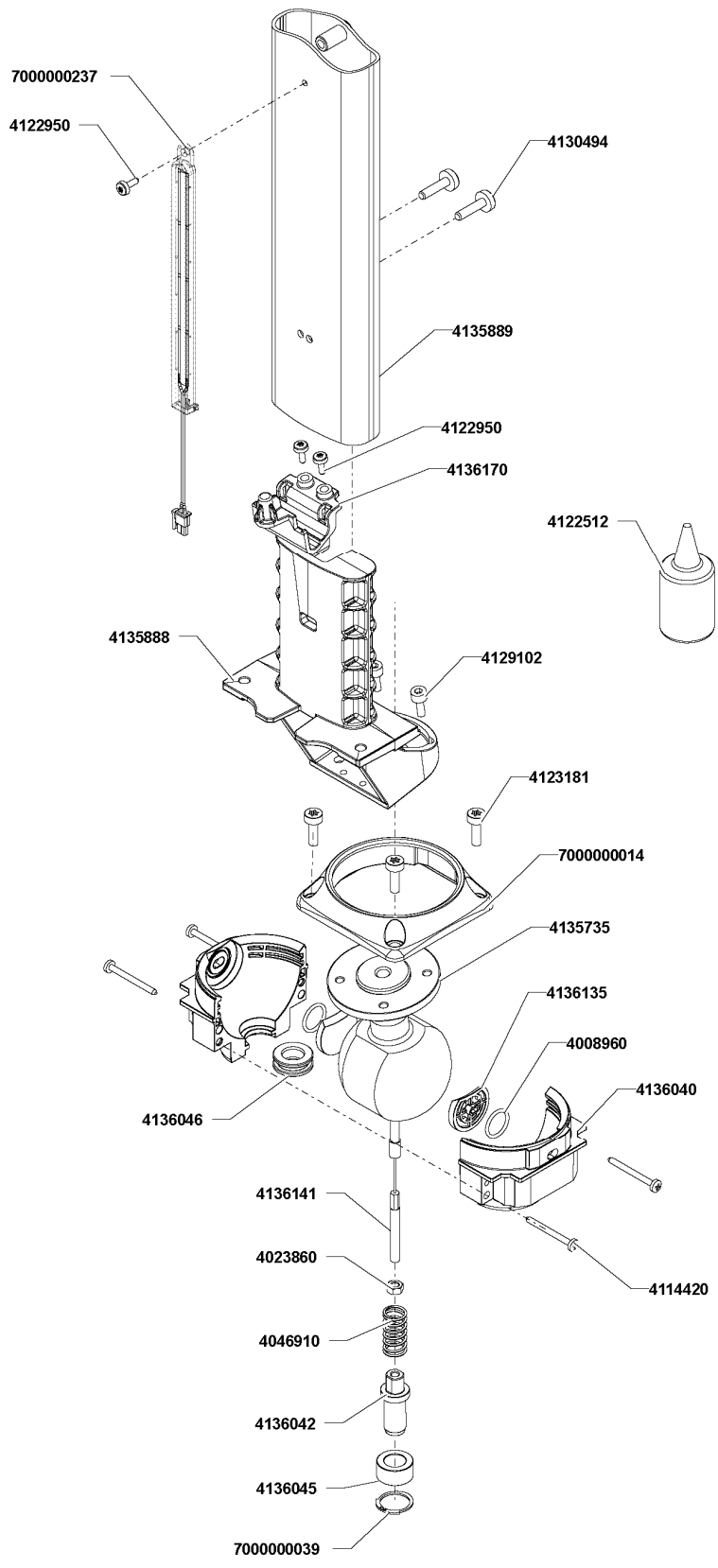
| Article no. | Description | Quantity | Unit |
|-------------|---------------------------------|----------|------|
| 4135893 | Rear panel | 1 | PC |
| 4135894 | Front cover | 1 | PC |
| 7000001446 | O-ring 10x2.2 | 1 | PC |
| 4135895 | T-Nipple 6-14-6 | 1 | PC |
| 4122641 | Screw delta PT Torx 40x16 | 5 | PC |
| 7000001544 | raised cheese hd.screw M4x10 | 4 | PC |
| 4136120 | Button | 1 | PC |
| 4136121 | Holder | 1 | PC |
| 4130494 | Thread form screw torx M6x20 | 10 | PC |
| 4019790 | Washer 6,4/20x1,5 | 1 | PC |
| 4136119 | Locking plate | 1 | PC |
| 7000000315 | Battery housing | 1 | PC |
| 4135892 | Support | 1 | PC |
| 4135740 | Electronics compl | 1 | PC |
| 4123906 | Screw for plastic Torx KA40x8 | 8 | PC |
| 7000000417 | Counters. head screw torx m3x10 | 2 | PC |
| 4069150 | Self-locking nut M3 | 2 | PC |
| 7000000330 | Cable strand compl | 1 | PC |
| 4135891 | Support | 1 | PC |
| 4136140 | Magnetic valve 36V | 2 | PC |
| 7000000019 | Angled nipple 6 | 2 | PC |
| 4055370 | Hose 4/7 silikone | 0,56 | M |
| 4055370 | Hose 4/7 silikone | 0,59 | M |
| 7000001334 | Splash guard | 1 | PC |
| 4135889 | Profile pipe | 1 | PC |
| 4135888 | Articulation | 1 | PC |



Fresh water tank compl (7000001513)

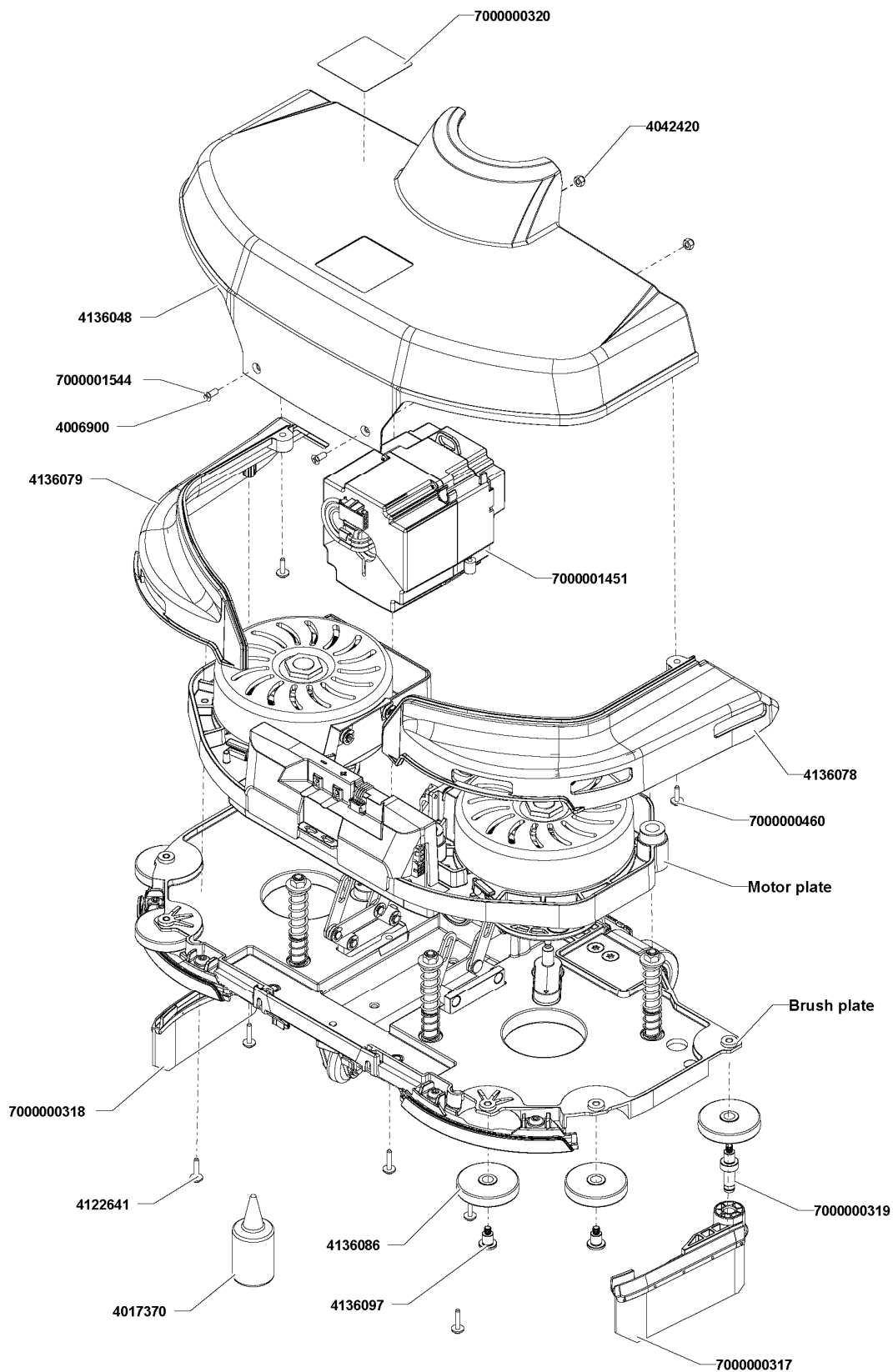


| Article no. | Description | Quantity | Unit |
|-------------|---------------------------|----------|------|
| 7000000409 | Valve | 1 | PC |
| 7000000007 | Cap nut | 1 | PC |
| 7000000009 | Gasket | 1 | PC |
| 7000000235 | Gasket | 1 | PC |
| 4078180 | Screw for plastic KA40x10 | 1 | PC |
| 4103270 | Washer 4,3/12x1 | 1 | PC |



Guide bar (Guide bar)

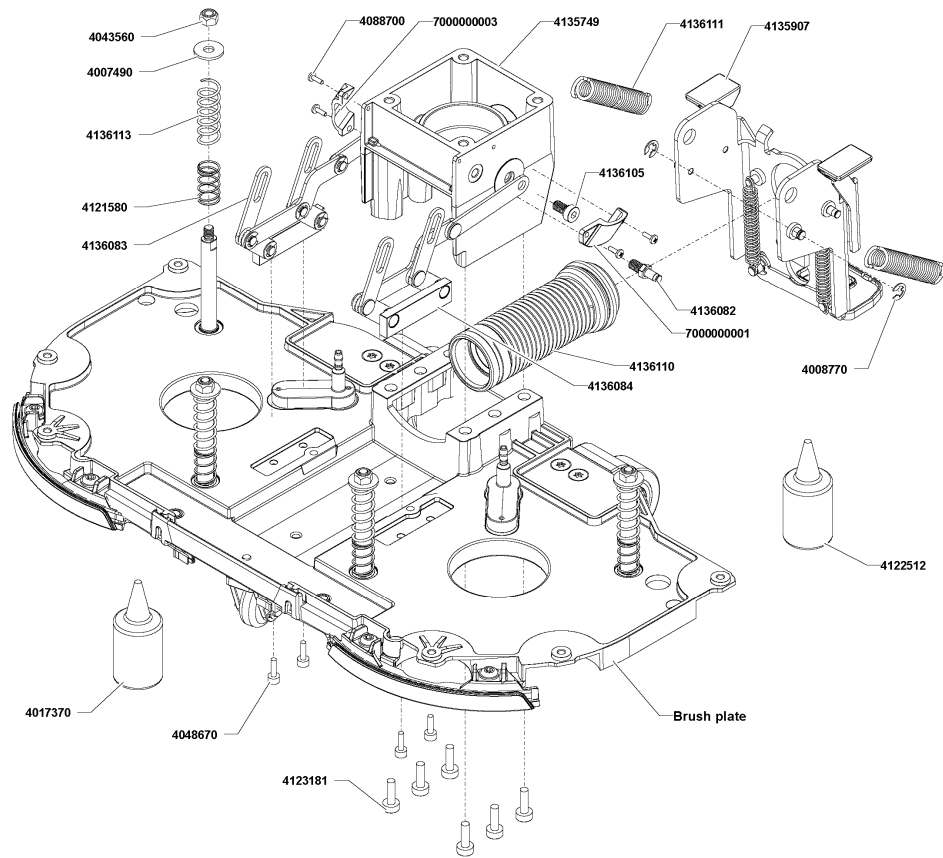
| Article no. | Description | Quantity | Unit |
|-------------|------------------------------|----------|------|
| 4122950 | Thread form screw torx M4x10 | 3 | PC |
| 7000000237 | Tanklighting compl | 1 | PC |
| 4130494 | Thread form screw torx M6x20 | 2 | PC |
| 4135888 | Articulation | 1 | PC |
| 7000000014 | Support | 1 | PC |
| 4114420 | Screw for plastic KA40x35 | 4 | PC |
| 4129102 | Socket head cap screw M5x12 | 4 | PC |
| 4135735 | Ball joint | 1 | PC |
| 4046910 | Pressure spring | 1 | PC |
| 4023860 | Hexagon nut M5 | 1 | PC |
| 4136045 | Bush 12/20x10 | 1 | PC |
| 7000000039 | Retaining ring 20 JV | 1 | PC |
| 4136046 | Bush spec | 1 | PC |
| 4136042 | Locking pin | 1 | PC |
| 4136040 | Bearing shell | 2 | PC |
| 4008960 | O-ring 14x1,78 | 2 | PC |
| 4136135 | Sliding bloc | 2 | PC |
| 4136170 | Cable holder | 1 | PC |
| 4136141 | Bowden cable | 1 | PC |
| 4122512 | Ball bearing grease 1000 gr. | 1 | PC |
| 4123181 | Cylindrical screw torx M6x16 | 4 | PC |
| 4135889 | Profile pipe | 1 | PC |
| 4023260 | Cable tie 200 | 2 | PC |



Drive part (Drive part)

| Article no. | Description | Quantity | Unit | used for |
|-------------|---------------------------------|----------|------|----------|
| Brush plate | Brush plate | 1 | PC | |
| Motor plate | Motor plate | 1 | PC | |
| 7000001451 | Suction unit compl | 1 | PC | |
| 4136097 | Bolt | 4 | PC | |
| 4136086 | Wheel 45/8 | 6 | PC | |
| 4122641 | Screw delta PT Torx 40x16 | 6 | PC | |
| 7000000319 | Bolt | 2 | PC | |
| 4136079 | Cover right | 1 | PC | |
| 4136078 | Cover left | 1 | PC | |
| 4017370 | Adhesive locking middle | 1 | PC | |
| 4136048 | Cover | 1 | PC | |
| 7000001544 | raised cheese hd.screw M4x10 | 2 | PC | |
| 4006900 | Counters. head screw M4x10 | 2 | PC | |
| 4042420 | Self-locking nut M4 | 2 | PC | |
| 7000000460 | Screw delta PT Torx 40x12 | 2 | PC | |
| 7000000320 | Label TASKI | 1 | PC | |
| 7000000317 | Splash guard left | 1 | PC | Option |
| 7000000318 | Splash guard right | 1 | PC | Option |

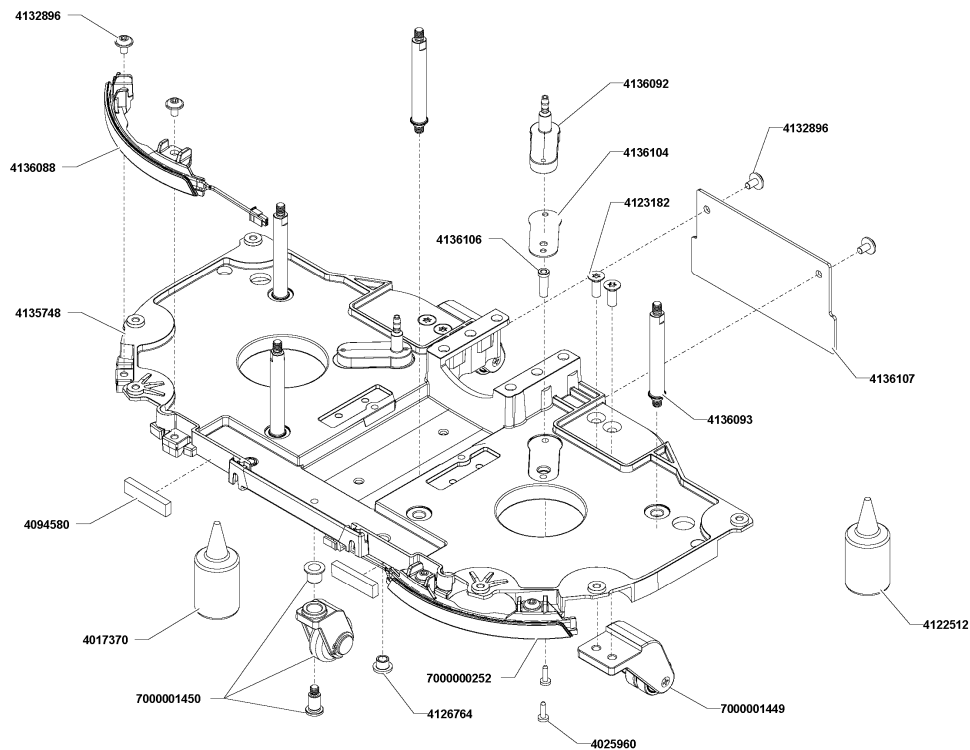
Brush plate (Brush plate)



Brush plate (Brush plate)

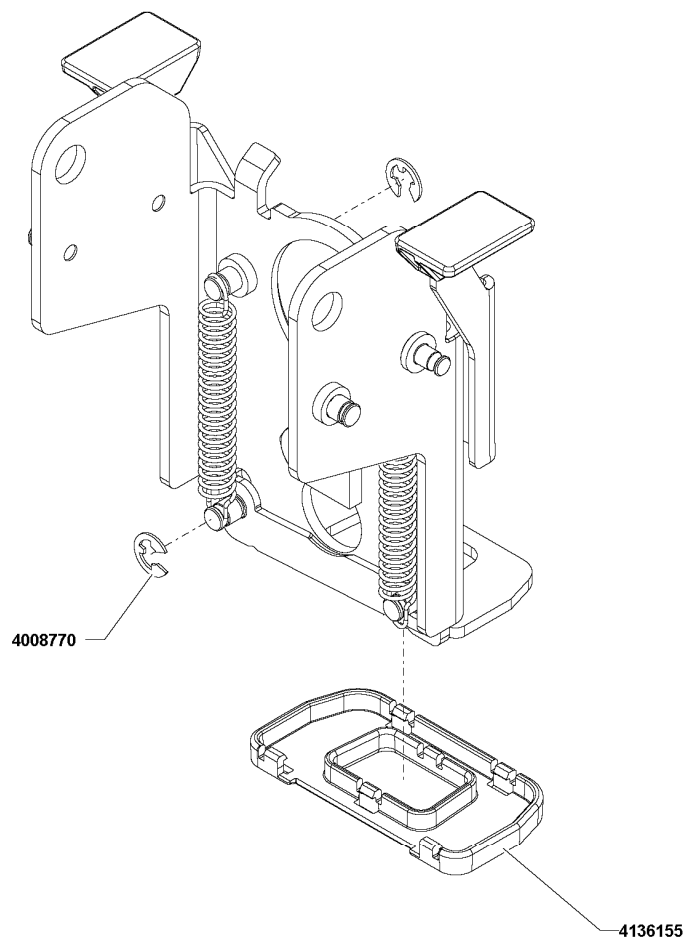
| Article no. | Description | Quantity | Unit |
|-------------|-------------------------------|----------|------|
| Brush plate | Brush plate | 1 | PC |
| 4136110 | Suction Hose compl | 1 | PC |
| 4135749 | Adapter | 1 | PC |
| 4043560 | Self-locking nut M6 | 4 | PC |
| 4007490 | Washer 6,4/18x1,6 | 4 | PC |
| 4136113 | Pressure Spring 1,5 x 12 x 35 | 4 | PC |
| 4121580 | Pressure spring | 4 | PC |
| 4008770 | Retaining washer 5 | 2 | PC |
| 4135907 | Tank holder compl | 1 | PC |
| 4136105 | Bolt | 2 | PC |
| 4136082 | Bolt | 2 | PC |
| 4136111 | Spring | 2 | PC |
| 4048670 | Socket head cap screw M4x12 | 4 | PC |
| 4123181 | Cylindrical screw torx M6x16 | 6 | PC |
| 4136083 | Lifter rechts | 1 | PC |
| 4136084 | Lifter left | 1 | PC |
| 4122512 | Ball bearing grease 1000 gr. | 1 | PC |
| 4017370 | Adhesive locking middle | 1 | PC |
| 7000000001 | Cable routing | 1 | PC |
| 4088700 | Raised cheese hd.screw M3x8 | 4 | PC |
| 7000000003 | Hose bracket | 1 | PC |

Brush plate (Brush plate)



Brush plate (Brush plate)

| Article no. | Description | Quantity | Unit |
|-------------|---------------------------------|----------|------|
| 4135748 | Brush base plate | 1 | PC |
| 4136093 | Guide bar | 4 | PC |
| 4136092 | Water connector | 2 | PC |
| 4136104 | Gasket | 2 | PC |
| 7000001449 | Rear Wheel compl | 2 | PC |
| 4123182 | Counters. head screw torx M6x16 | 4 | PC |
| 4025960 | Screw for plastic KA40x12 | 4 | PC |
| 4126764 | Plug 8,4 | 2 | PC |
| 4136106 | Nozzle | 2 | PC |
| 4136088 | LED compl right | 1 | PC |
| 7000000252 | LED compl left | 1 | PC |
| 4132896 | Raised cheese hd.screw M5x8 | 6 | PC |
| 4136107 | Splash Guard | 1 | PC |
| 7000001450 | Front wheel compl | 1 | PC |
| 4017370 | Adhesive locking middle | 1 | PC |
| 4094580 | Sealing strip 10x5 | 0,8 | M |
| 4122512 | Ball bearing grease 1000 gr. | 1 | PC |

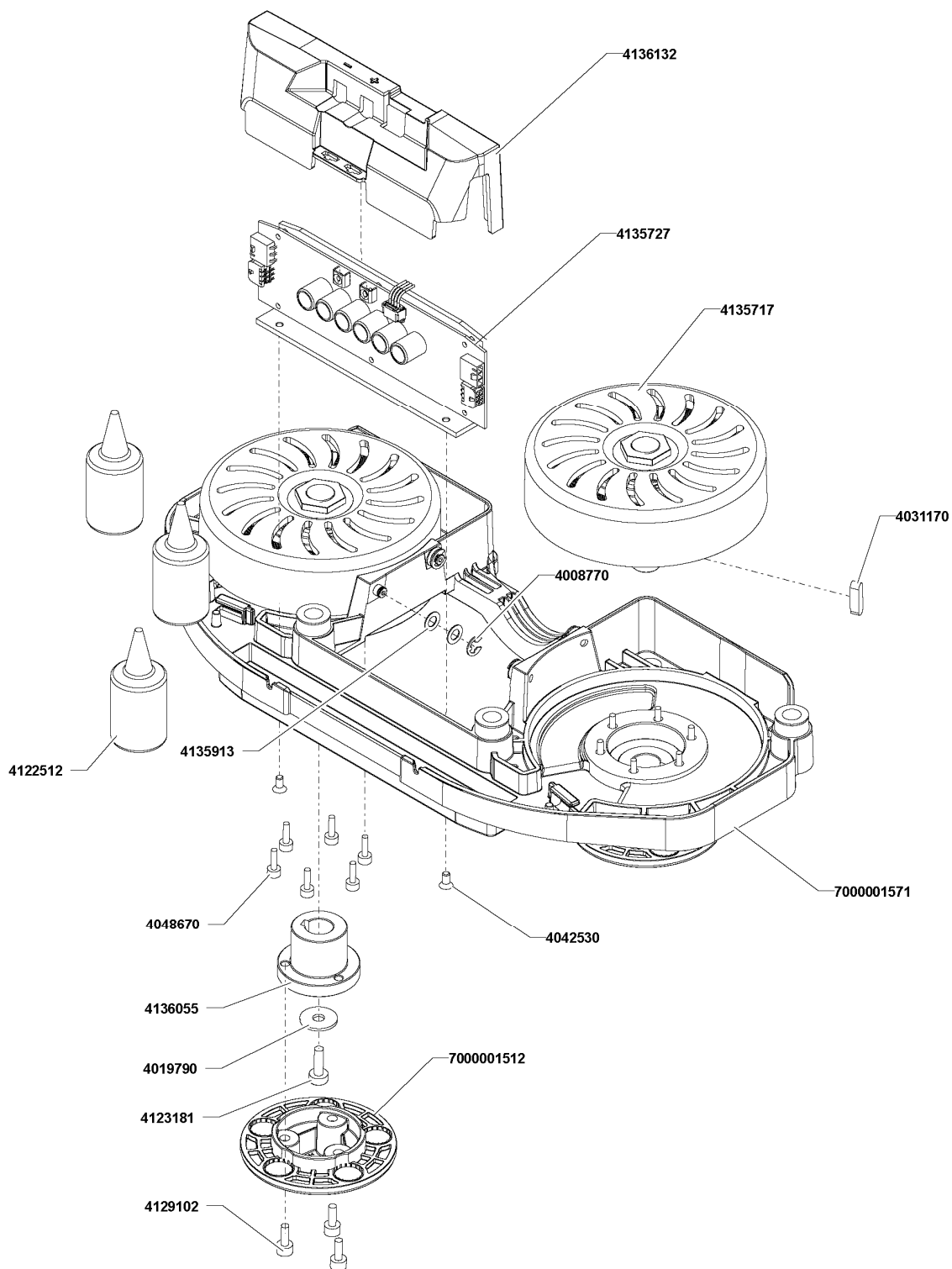


Tank holder compl (4135907)



| Article no. | Description | Quantity | Unit |
|-------------|--------------------|----------|------|
| 4008770 | Retaining washer 5 | 4 | PC |
| 4136155 | Slider | 1 | PC |

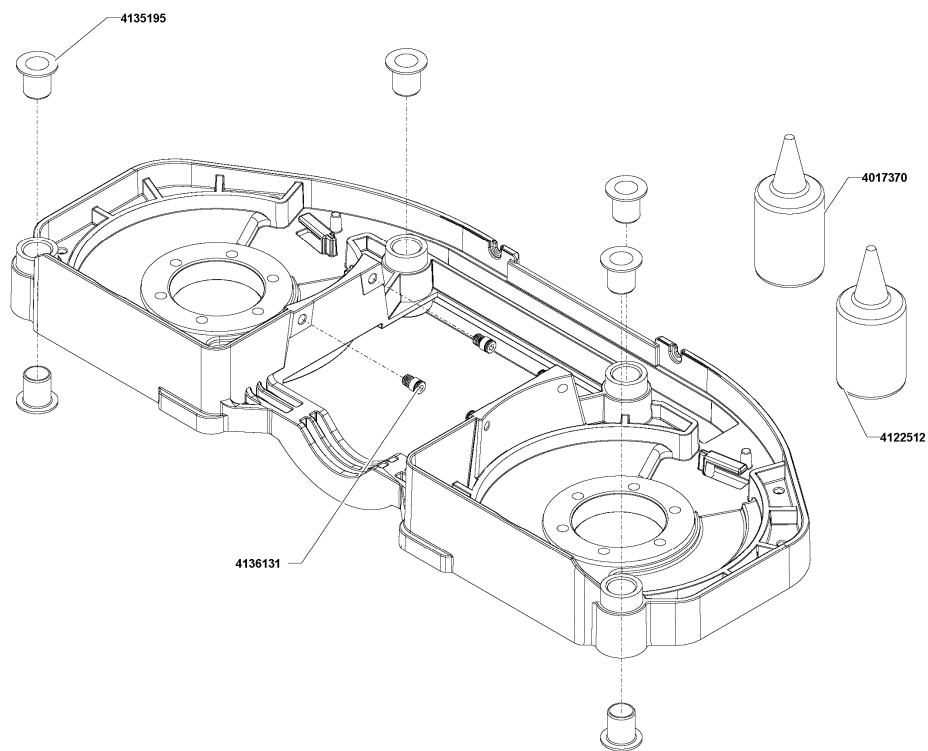
Motor plate (Motor plate)



Motor plate (Motor plate)

| Article no. | Description | Quantity | Unit |
|-------------|------------------------------|----------|------|
| 4135717 | BLDC Motor 36V 340W | 2 | PC |
| 4031170 | Key 5/5x14 | 2 | PC |
| 7000001571 | Motor plate | 1 | PC |
| 4136055 | Adapter | 2 | PC |
| 4048670 | Socket head cap screw M4x12 | 12 | PC |
| 4019790 | Washer 6,4/20x1,5 | 2 | PC |
| 4135727 | Motor controller | 1 | PC |
| 4065440 | Cable tie 100 | 2 | PC |
| 4136132 | Cover | 1 | PC |
| 4123181 | Cylindrical screw torx M6x16 | 2 | PC |
| 4042530 | Counters. head screw M4x8 | 2 | PC |
| 4122512 | Ball bearing grease 1000 gr. | 1 | PC |
| 4135913 | Washer | 8 | PC |
| 4008770 | Retaining washer 5 | 4 | PC |
| 7000001512 | Coupling compl | 2 | PC |
| 4129102 | Socket head cap screw M5x12 | 6 | PC |
| 7000001577 | Raised cheese hd.screw M4x6 | 1 | PC |
| 7000001578 | Raised cheese hd.screw M3x6 | 1 | PC |

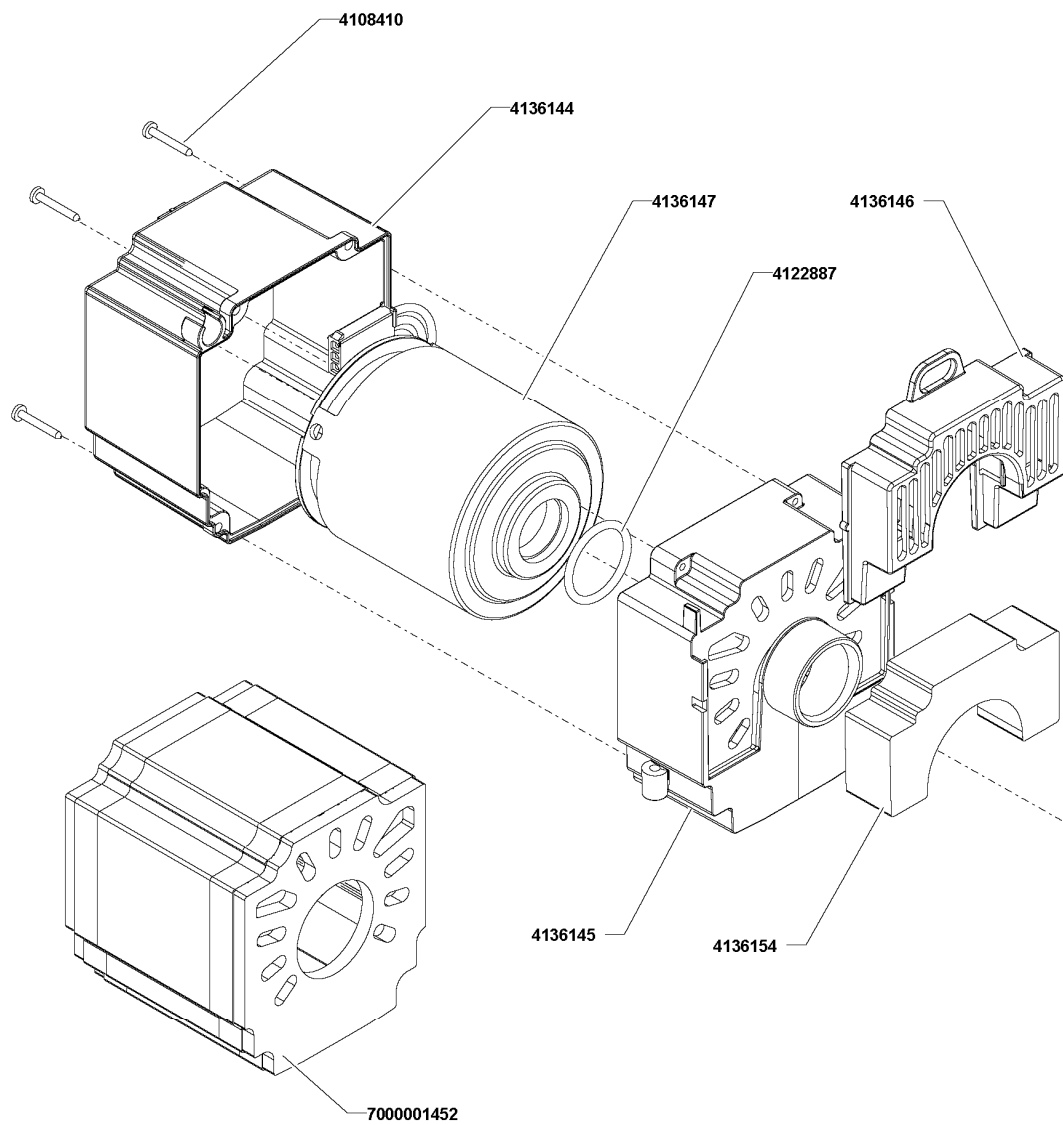
Motor plate (7000001571)



Motor plate (7000001571)

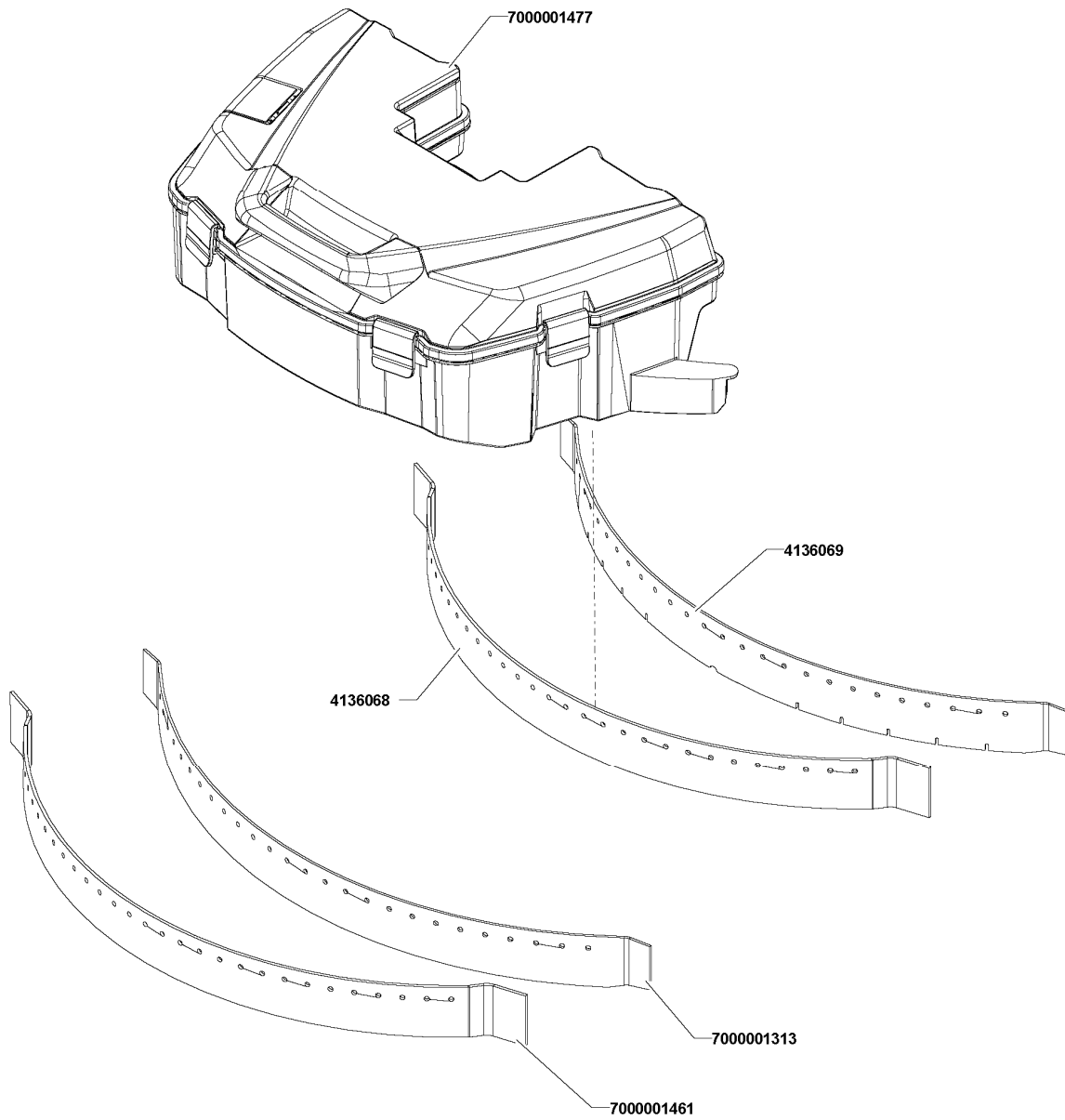


| Article no. | Description | Quantity | Unit |
|-------------|------------------------------|----------|------|
| 4135195 | Slide bearing 10/12/18x15 | 8 | PC |
| 4136131 | Bolt | 4 | PC |
| 4122512 | Ball bearing grease 1000 gr. | 1 | PC |
| 4017370 | Adhesive locking middle | 1 | PC |



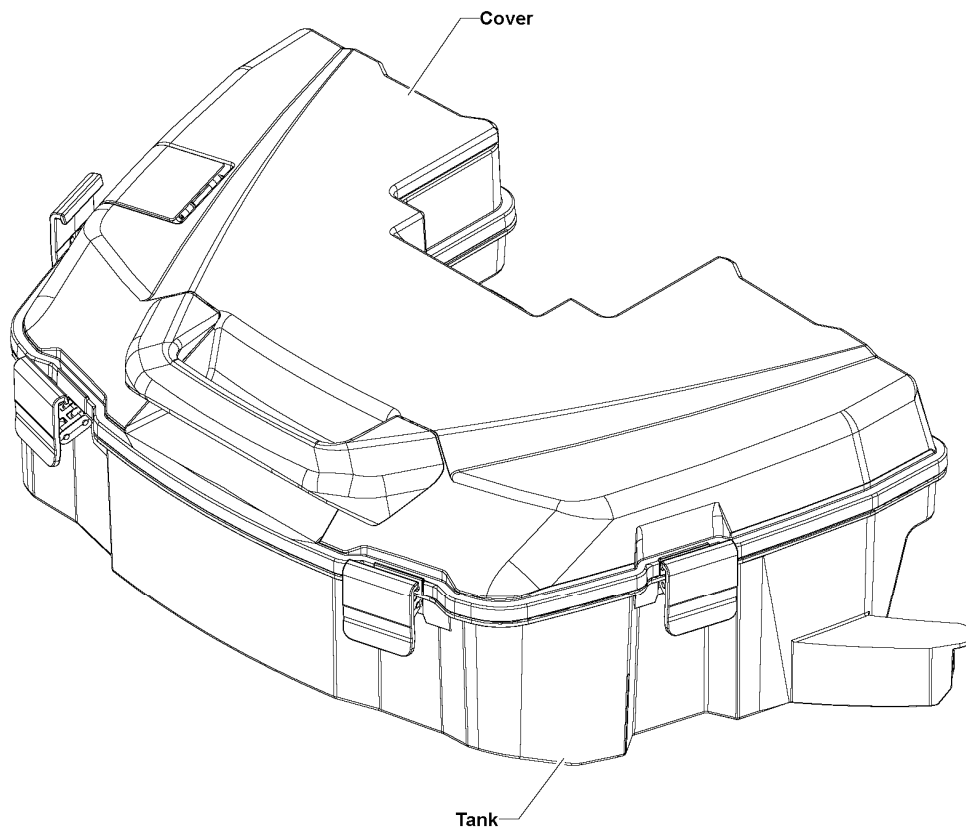
Suction unit compl (7000001451)

| Article no. | Description | Quantity | Unit |
|-------------|---------------------------|----------|------|
| 4136147 | Vacuum motor 36V 160W | 1 | PC |
| 4136144 | Housing 1 | 1 | PC |
| 4136145 | Housing 2 | 1 | PC |
| 4136146 | Filter housing | 1 | PC |
| 7000001452 | Noise absorbing set | 1 | PC |
| 4136154 | Filter | 1 | PC |
| 4122887 | O-ring 23,47x2,62 | 1 | PC |
| 4108410 | Screw for plastic KA30x18 | 4 | PC |



Waste water tank (Waste water tank)

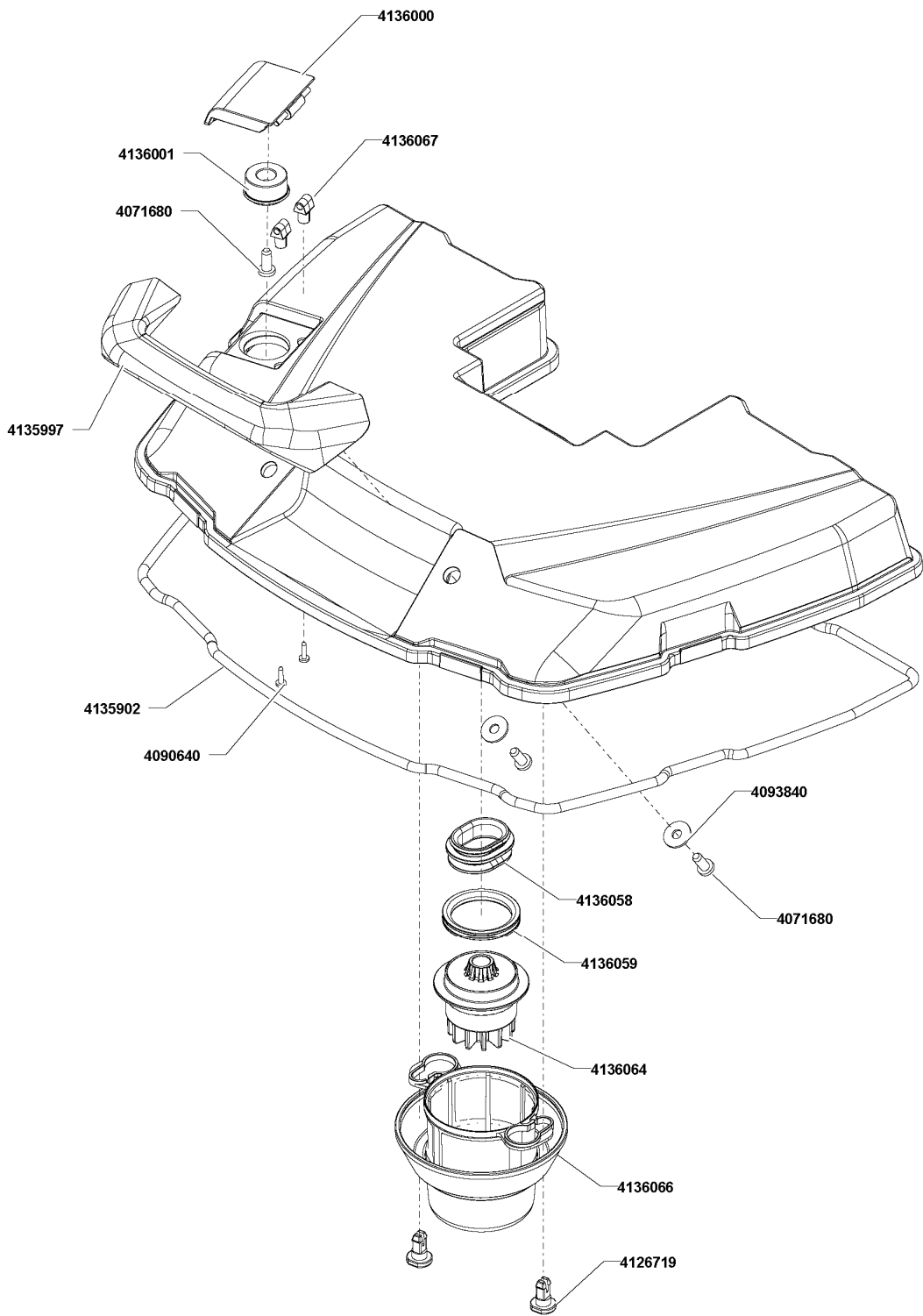
| Article no. | Description | Quantity | Unit | used for |
|-------------|------------------------|----------|------|----------|
| 7000001477 | Waste water tank compl | 1 | PC | |
| 4136069 | Blade 586 x45x2 | 1 | PC | |
| 4136068 | Blade 620x45x2.5 | 1 | PC | |
| 7000001313 | Blade 586 x45x2 | 1 | PC | Option |
| 7000001461 | Blade 620x45x2.5 | 1 | PC | Option |



Waste water tank compl (7000001477)

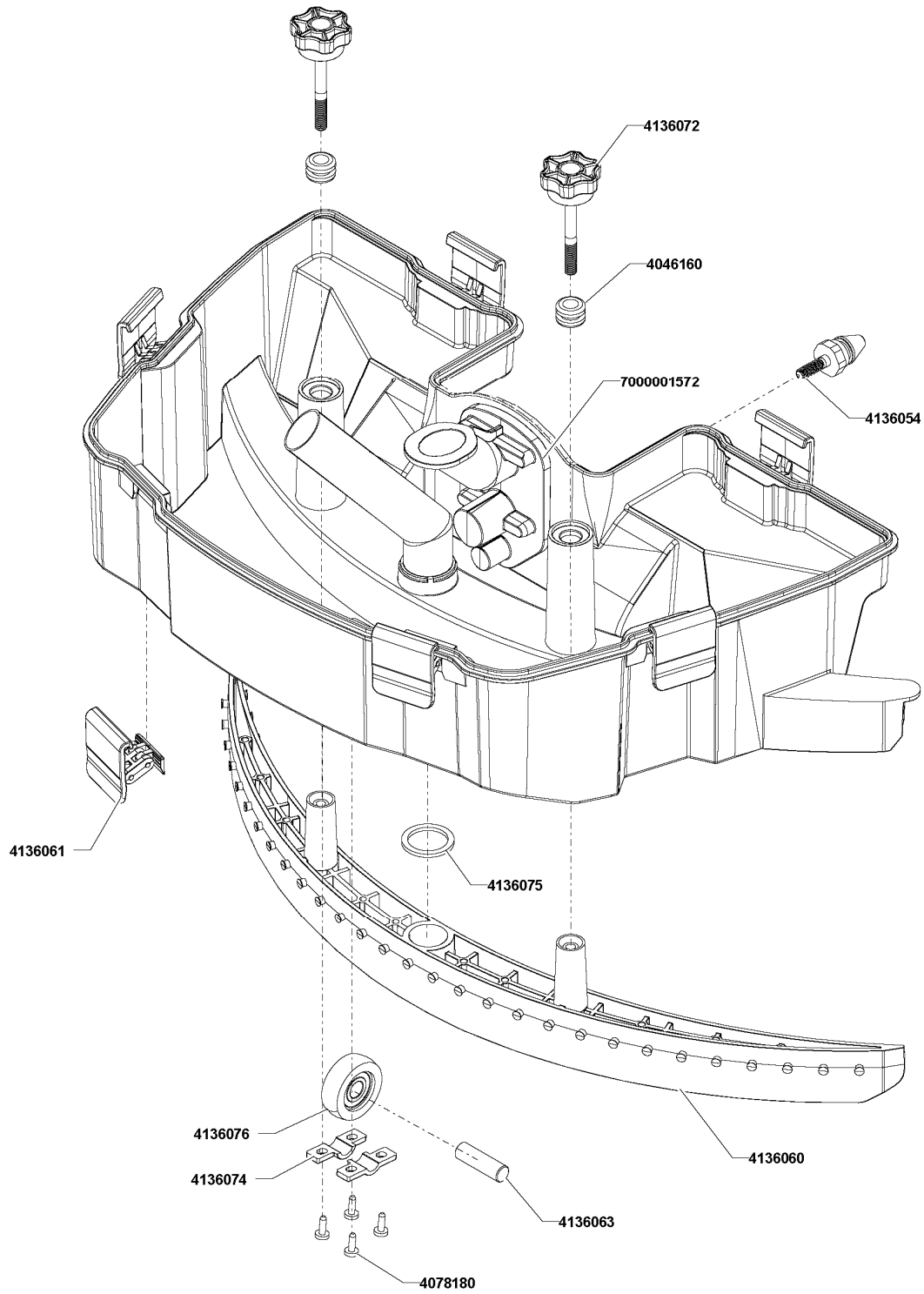


| Article no. | Description | Quantity | Unit |
|-------------|-------------|----------|------|
| Cover | Cover | 1 | PC |
| Tank | Tank | 1 | PC |



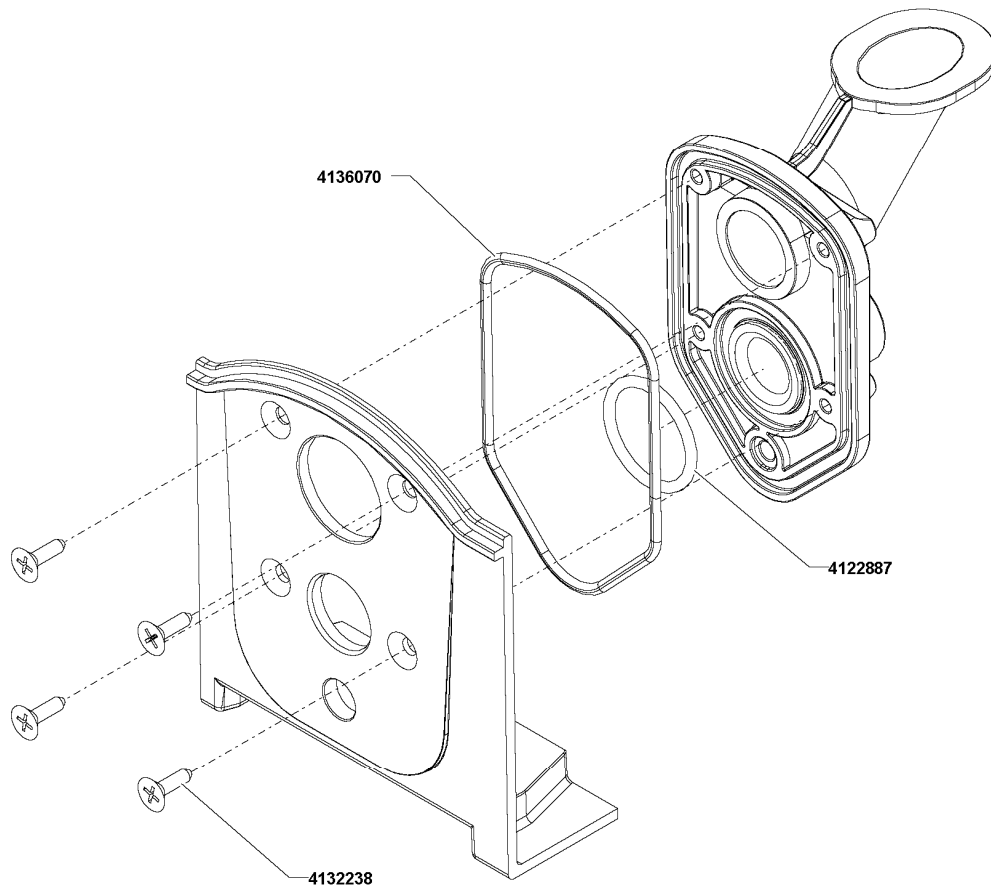
Cover (Cover)

| Article no. | Description | Quantity | Unit |
|-------------|---------------------------|----------|------|
| 4136000 | Tank cover | 1 | PC |
| 4136058 | Gasket | 1 | PC |
| 4136059 | Gasket | 1 | PC |
| 4136066 | Filter | 1 | PC |
| 4136064 | Float | 1 | PC |
| 4136001 | Gasket | 1 | PC |
| 4071680 | Screw for plastic KA50x12 | 3 | PC |
| 4090640 | Screw for plastic KA30x10 | 2 | PC |
| 4136067 | Hinge | 2 | PC |
| 4135997 | Handle | 1 | PC |
| 4093840 | Washer 5,3/15x1,2 | 2 | PC |
| 4126719 | Flange bolt | 2 | PC |
| 4135902 | Tank gasket | 1 | PC |



Tank (Tank)

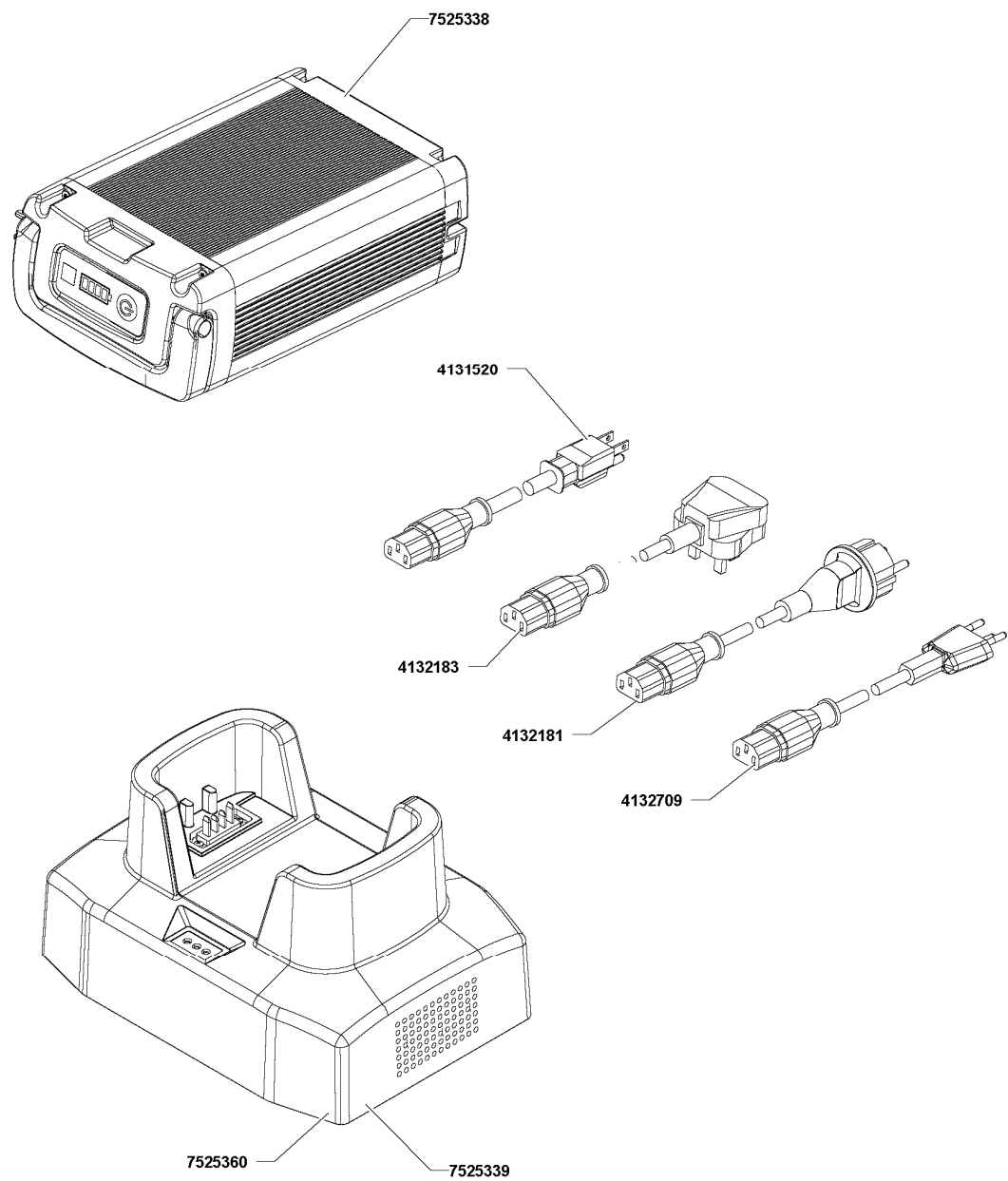
| Article no. | Description | Quantity | Unit |
|-------------|---------------------------|----------|------|
| 4136061 | Tank lock | 6 | PC |
| 4078180 | Screw for plastic KA40x10 | 4 | PC |
| 4136074 | Holder | 2 | PC |
| 7000001576 | Tank insert compl | 1 | PC |
| 4136075 | Gasket | 1 | PC |
| 4136054 | Locking | 1 | PC |
| 4136060 | Clamping part | 1 | PC |
| 4136063 | Axle | 1 | PC |
| 4136076 | Wheel 34/11 | 1 | PC |
| 4046160 | Grommet 8 | 2 | PC |
| 4136072 | Star Knob M6 compl | 2 | PC |



Tank insert compl (7000001576)



| Article no. | Description | Quantity | Unit |
|-------------|------------------------------|----------|------|
| 4122887 | O-ring 23,47x2,62 | 1 | PC |
| 4136070 | O-Ring 70x2.63 | 1 | PC |
| 4132238 | Counters. head screw ka40x12 | 4 | PC |



Battery / Charger

| Article no. | Description | Quantity | Unit | used for |
|-------------|---------------------------------------|----------|------|----------|
| 7525338 | TASKI IP Li-Ion Battery 36V 14.5Ah | 1 | PC | |
| 7525339 | TASKI IP Li-Ion Charger 36V EU | 1 | PC | |
| 7525360 | TASKI IP Li-Ion Charger 36V UNI | 1 | PC | |
| 4132709 | Main cord 2L+P SEA | 1 | PC | SEV |
| 4132181 | Main cord 2L+P EURO | 1 | PC | EURO |
| 4132183 | Main cord 2L+P UK | 1 | PC | UK |
| 4131520 | Main cord 2L+P NA | 1 | PC | NA |

Electrical diagram



Description

Electrical diagram
