

Other

SSS - Protwin

INTELLI-VAC 14

INTELLI-VAC 18

INTRODUCTION

OPERATING & MAINTENANCE INSTRUCTIONS

READ THIS BOOK

This operator's book has important information for the use and safe operation of this machine. Read this book carefully before starting the machine. Keep this book and tell all operators to read the book. If you do not follow the instructions, you can cause an injury or damage equipment, furniture or buildings.

The contents of this manual are based on the latest product information available at the time of publication. Pacific Steamex reserves the right to make changes or improvements to its machines without notice.

For new books write to:

Pacific Steamex, Inc.
2259 S. Sheridan
Muskegon, MI 49442-6252

**FOR YOUR CONVENIENCE, RECORD THE
MACHINE MODEL AND SERIAL NUMBER:**

Carefully inspect all components to ensure that there is no concealed freight damage. If such damage is discovered, file a "CONCEALED DAMAGE REPORT" immediately with the delivering carrier.

MODEL _____
SERIAL NUMBER _____

NEW
1/6

VACUUM INLET FILTER

This machine has a vacuum inlet filter that will require periodic cleaning or replacement. The filter is located within the vacuum housing just above the vacuum motor.

To clean: Simply snap the filter retainer out of the housing, remove the filter and shake or vacuum it. If the filter is worn or uncleanable, replace.

HEPA FILTER (OPTIONAL)

Hepa Models include a hepa filter (Item 38) that will also require periodic cleaning or replacement.

To clean: Remove the cover (Item 41) to access the hepa filter, remove the filter and shake or vacuum it. If the filter is worn or uncleanable, replace.

BRUSH STRIP REPLACEMENT

This machine has a removable brush strip. Replace it if it becomes worn to the point where it no longer contacts the carpet.

To replace: First remove the three (3) phillips screws that hold the access plate on the bottom of the brush housing. Once the brush roller is exposed, remove the R.H. Support. The brush strip can now slide off - remove and replace with a new one. Be sure the strip is pushed all the way in. Reassemble.

VACUUM MOTOR MAINTENANCE

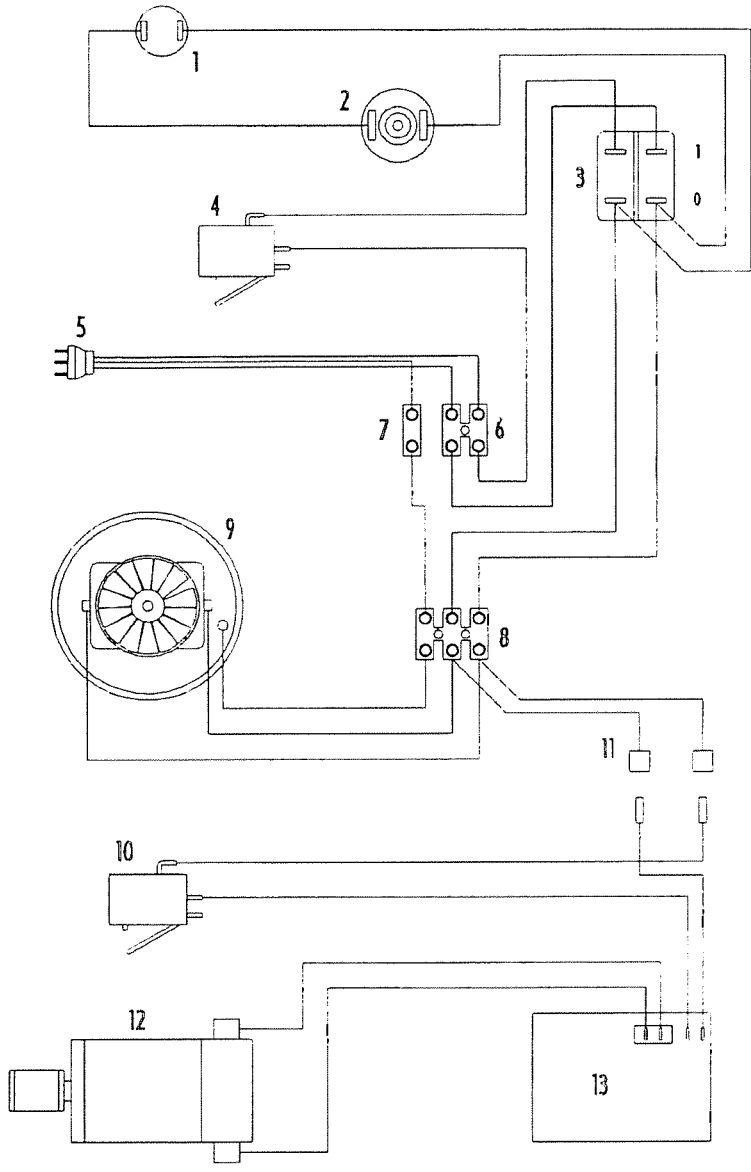
Have the vacuum motor inspected annually by a Factory Authorized Service Technician. If the carbon brushes are worn, they should be replaced. This service will prolong the life of the vacuum motor.

The replacement of belts and other repairs to the machine should be performed by a Factory Authorized Service Technician.

ACCESSORIES

ITEM	PART NO.	DESCRIPTION
1	642101	Tool Mounting Clip
2	640602	Cloth Filter Bag
3	649001	Extension Tube
4	648801	Crevice Tool
5	648802	Dusting Tool
6	640601	Paper Bag Filter, 10 Pack
7	645108	Filter Bag Cage

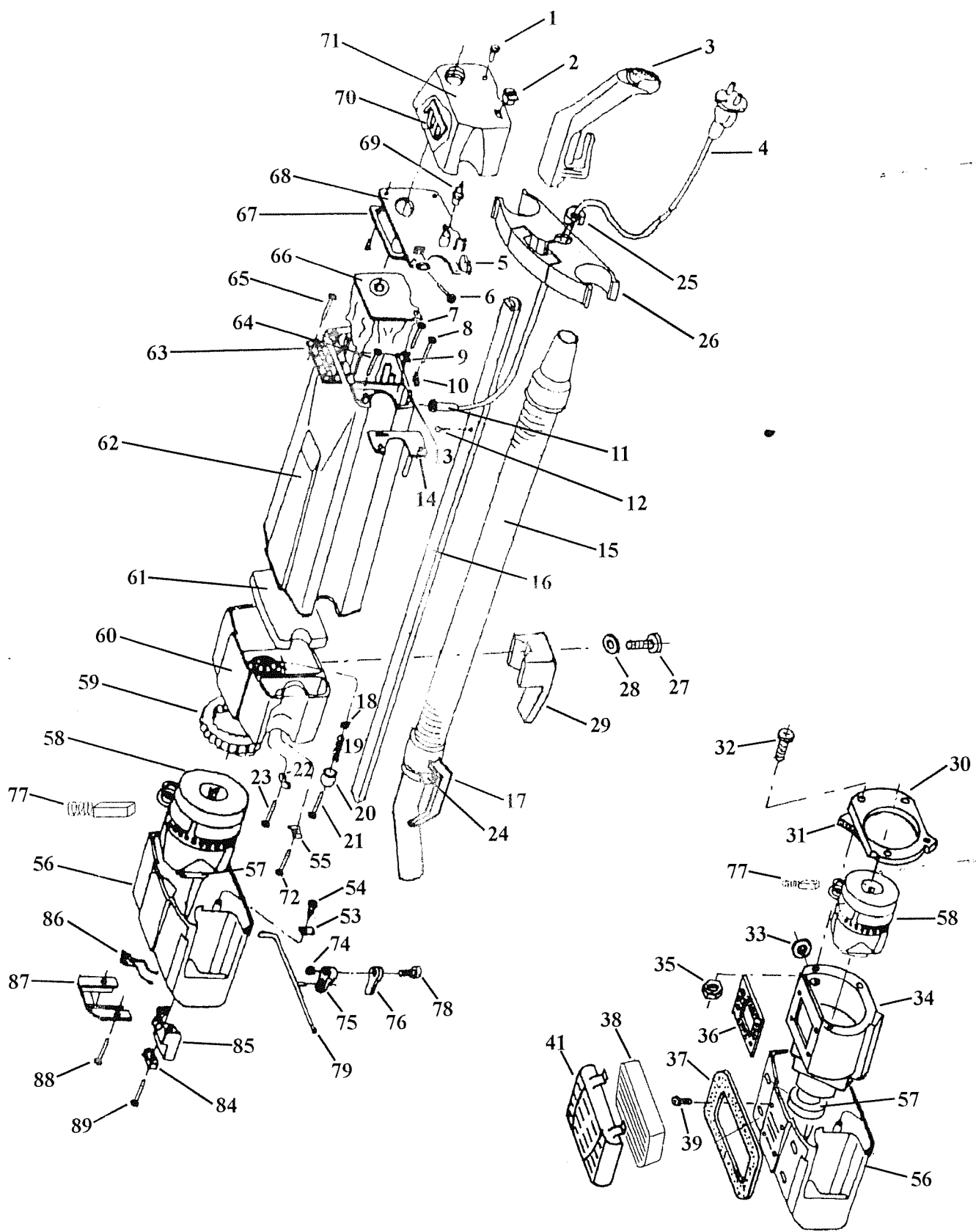
WIRING DIAGRAM



ITEM	PART NO.	DESCRIPTION	QTY.
1	911192	Red Pilot Light	1
2	645106	Depression Lever	1
3	911193	Switch	1
4	911194	Micro Switch	1
5	908080	Cord Assembly	1
6	641301	Terminal Block	1
8	641301	Terminal Block	1
9	625201	Vacuum Motor, 115V	1
	645206	Vacuum Motor, 230V	1

ITEM	PART NO.	DESCRIPTION	QTY.
10	911195	Micro Switch	1
11	642402	Male Connector	1
12	645201	Brush Motor 115V, 14"	1
	645202	Brush Motor 115V, 18"	1
	645205	Brush Motor 230V, 14"	1
13	641302	Board, 115V - 14"	1
	641303	Board, 115V - 18"	1
	645205	Board, 230V - 14"	1

INTELLI-VAC / Pro Twin DRAWING 1



HEPA MODELS

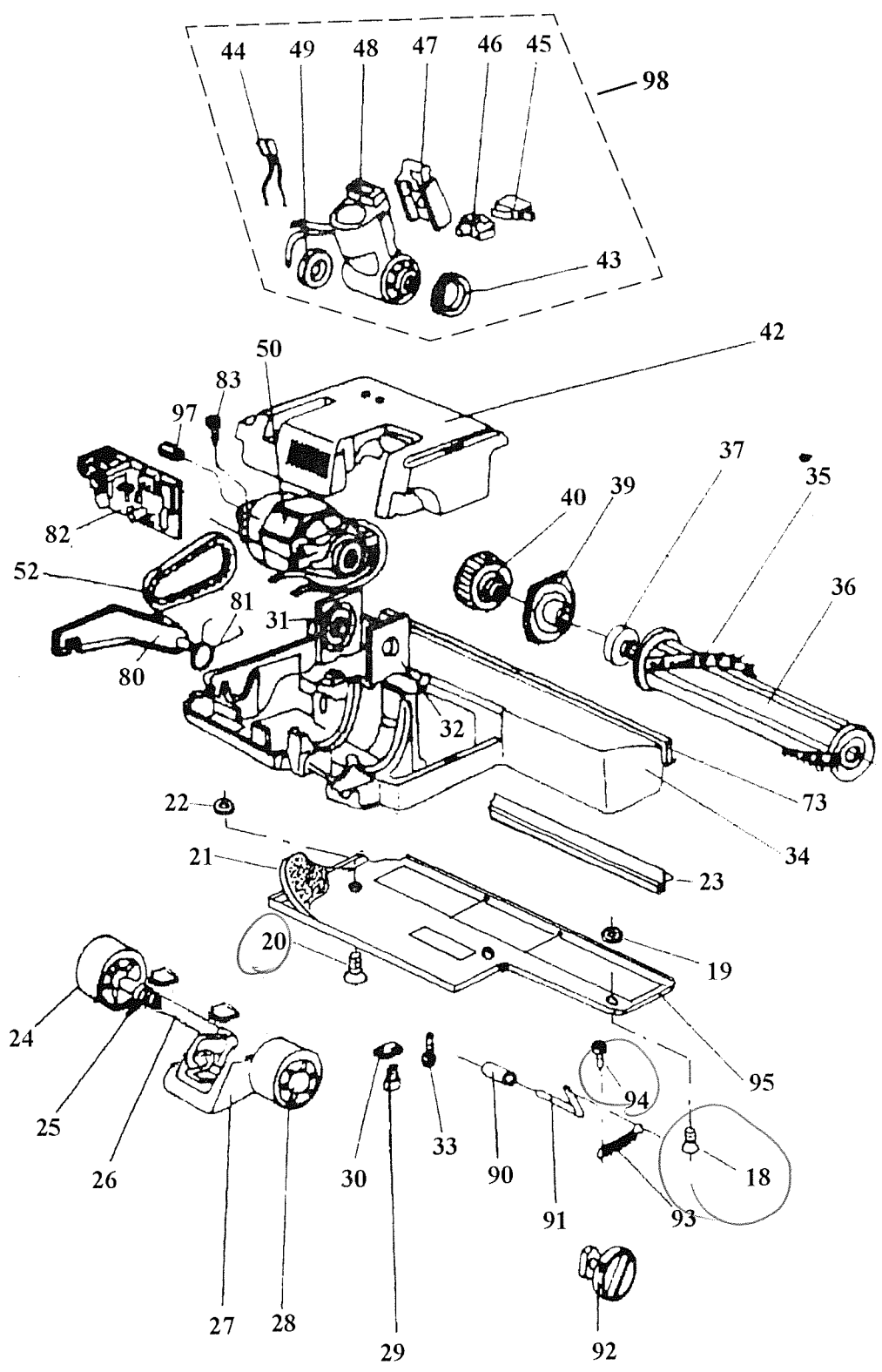
PARTS LIST DRAWING 1

ITEM	PART NO.	DESCRIPTION	QTY.
1	911192	Red Pilot Light 115V	1
2	911193	Switch	1
3	643901	Handle	1
4	908080	Cord Asm	1
5	911194	Micro Switch	1
6	964136	Screw	2
7	964136	Screw	1
8	964136	Screw	2
9	641301	Terminal Block	1
10	642001	Cable Clamp	2
11	647501	Strain Relief, Cable	1
12	964137	Screw	2
13	648401	Rod	1
14	642301	Cover, Elec. Connections	1
15	644101	Flexible Hose w/Couplings	1
16	648501	Handle Tube	1
17	649801	Wand with Clip	1
18	649401	Safety Valve	1
19	648301	Spring, Safety Valve	1
20	642302	Valve Cover	1
21	964138	Screw	1
22	642001	Clip	2
23	964136	Screw	2
24	627201	Retainer, Clip Hose	1
25	648506	Strain Relief/Bushing	1
26	642101	Tool Mounting Clip	1
27	964146	Screw	1
28	980635	Washer	1
29	644502	Cable Hook	1
*30	641501	Cap	1
*31	643405	Gasket	1
*32	964147	Screw	5
*33	640909	Bushing	1
*34	641502	Cap	1
*35	920628	Nut	5
*36	643406	Gasket	1
*37	643407	Gasket	1

ITEM	PART NO.	DESCRIPTION	QTY.
*38	643304	Filter-Hepa	1
*39	964148	Screw	4
*41	642310	Cover, Hepa Filter	1
53	647202	Retainer-Wheel Axle	2
54	964138	Screw	2
55	641301	Terminal Block	1
56	648505	Support, Motor	1
57	643401	Gasket	1
58	625201	Vac Motor 115V	1
	645206	Vac Motor 230V	1
59	643403	Gasket-Vac Motor	1
60	642306	Cover-Vac Motor	1
61	643301	Filter-Secondary	1
62	644203	Housing	1
63	644501	Hinge	1
64	964140	Screw	1
65	964140	Screw	4
66	640601	Paper Bag Filters-10 Pack	1
	640602	Cloth Filter Bag	1
67	643404	Gasket-Bag Cover	1
68	646201	Plate	1
69	645106	Depression Lever	1
70	648303	Spring	1
71	642307	Cover-Vac Tank	1
72	964136	Screw	1
74	920626	Self-Locking Nut	1
75	645102	Lever	1
76	645103	Lever-Tank Release	1
77	640903	Carbon Brush	2
78	964141	Screw	1
79	645104	Lever	1
84	643601	Guard-Connection	1
85	642308	Cover-Connection	1
86	642403	Female Connector	1
87	642309	Cover-Lower Tank	1
88	964136	Screw	2
89	964136	Screw	1

* HEPA MODELS ONLY

INTELLI-VAC / Pro TWIN DRAWING 2



PARTS LIST DRAWING 2

ITEM	PART NO.	DESCRIPTION	QTY.
18	964149	Screw ✓	1
19	980637	Washer	1
20	964150	Screw ✓	2
21	643409	Gasket	1
22	980636	Washer	2
23	643408	Gasket	1
24	649701	Wheel	2
25	648302	Torsion Spring	1
26	647701	Wheels Axle	1
27	647001	Foot Apedal	1
28	647201	End Clip	2
29	964138	Screw	3
30	647202	Supports - Axle	3
31	648502	Knob, Support Wiring	1
32	648502	Knob, Support Wiring	1
33	964139	Screw	4
34	644201	Housing - Brush 14"	1
	644202	Housing - Brush 18"	1
35	640901	Brush Strip - 14"	1
	640902	Brush Strip - 18"	1
36	642401	Brush Core - 14"	1
	642404	Brush Core - 18"	1
37	902034	Bearing	2
39	648503	Brush Support	2
40	646901	Brush Pulley	1
42	642403	Brush Head Cover	1

642303

ITEM	PART NO.	DESCRIPTION	QTY.
43	641101	Bushing	
44	642402	Male Connector	1
45	911195	Micro Switch	1
46	648504	Stop Brush	1
47	642305	Swivel Neck Cover	1
48	644901	Swivel Neck	1
49	641101	Bushing	
50	645201	Brush Motor 115V - 14"	1
	645202	Brush Motor 115V - 18"	1
52	903017	Belt	1
73	641201	Bumper - 14"	1
	641202	Bumper - 18"	1
80	645105	Lever - Pivot Arm	1
81	648304	Spring	1
82	641302	Electrical Card 115V - 14"	1
	641303	Electrical Card 115V - 18"	1
83	964136	Screw	2
90	647502	Roller - Brush Adjustable	3
91	640502	Wheel Axle	1
92	645001	Knob	1
93	648305	Spring	1
94	964136	Screw ✓	1
95	647901	Shoe - Pick Up	1
97	646902	Pulley	1
98	644902	Swivel Neck Assembly	