

INSTALLATION INSTRUCTIONS

545005 – SOLUTION TANK KIT- 20" ORBITAL FLOOR MACHINE

TOOLS REQUIRED

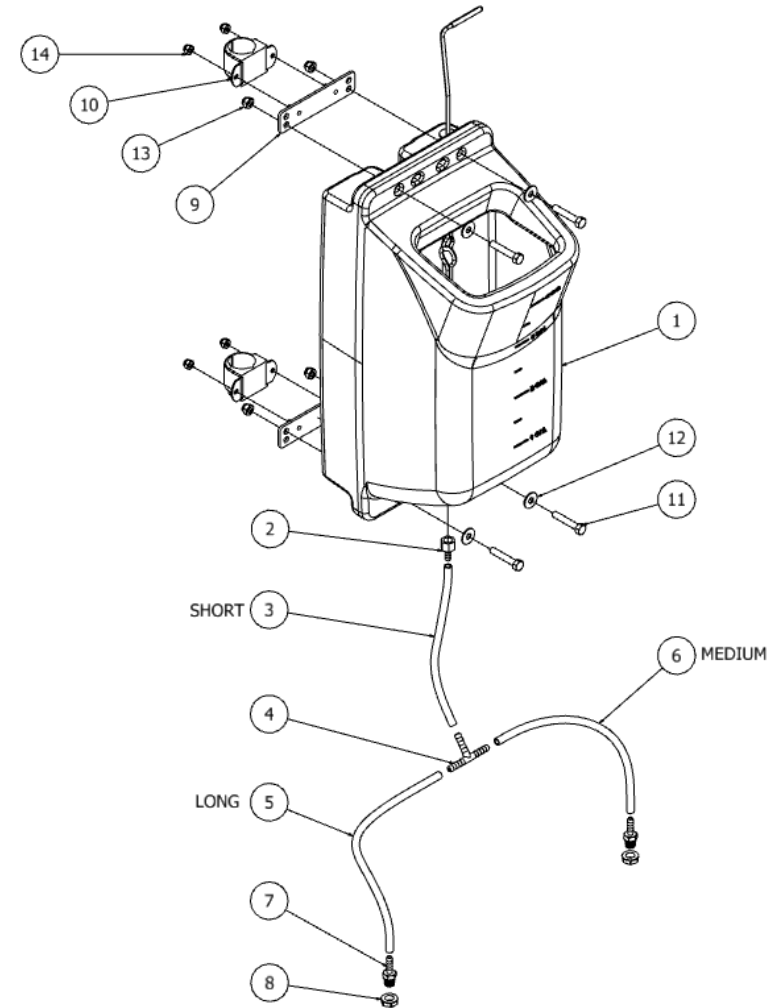
7/16" SOCKET WRENCH OR OPEN END WRENCH

1/2" SOCKET WRENCHES OR OPEN END WRENCHES – 2 REQUIRED

5/8" OPEN END WRENCH

3/4" DEEP WELL SOCKET WRENCH

ITEM	SOLUTION TANK KIT	545005	QTY
1	TANK		1
2	FITTING STR .25 FPT .25 BARB BRASS	533301	1
3	HOSE REPL 1/4" DIA X 9" LONG	544104	1
4	FITTING, TEE, .25INCH	873301	1
5	HOSE REPL 1/4" DIA X 15" LONG	544106	1
6	HOSE REPL 1/4" DIA X 11" LONG	544105	1
7	FITTING STRAIGHT .25NPT .25BARB	543301	2
8	NUT .25NPT PLASTIC	920699	2
9	PLATE ADAPTER TANK	546102	2
10	CLAMP U-SHAPED WITH RUBBER	542002	2
11	SCREW, HEX, 5/16-18X1.75,SS	962270	4
12	WASHER FLAT .31 ZINC	980007	4
13	NUT, NYLOCK, 5/16-18, ZINC	920012	4
14	NUT, NYLOCK, 1/4-20, ZINC	920011	4



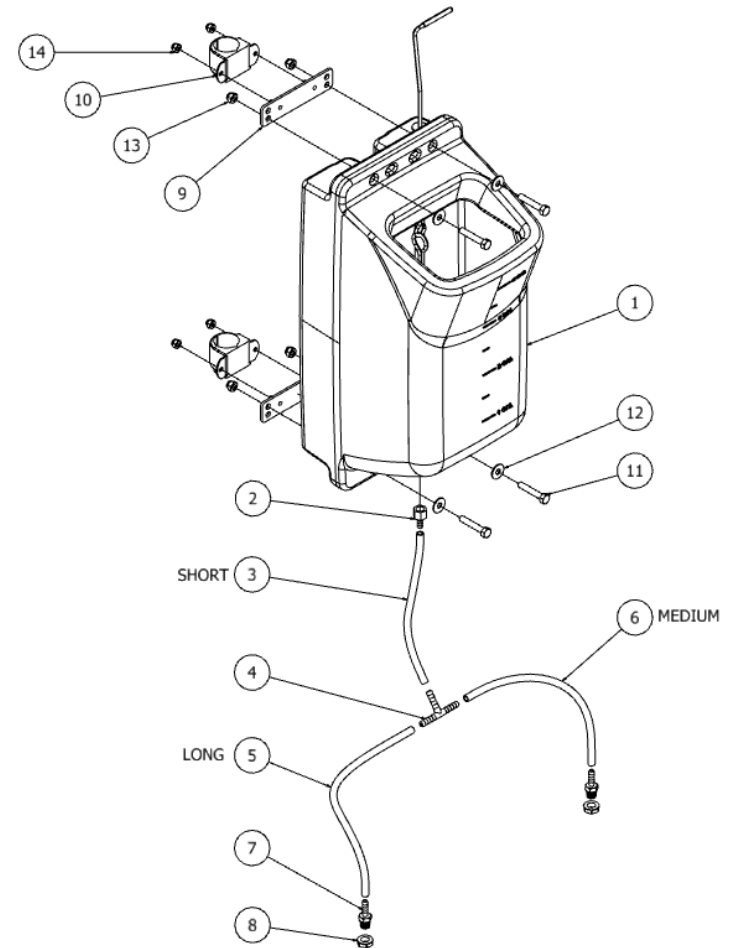
PACIFIC™
FLOORCARE

INSTALLATION INSTRUCTIONS

545005 – SOLUTION TANK KIT- 20" ORBITAL FLOOR MACHINE

STEP INSTRUCTIONS

- 1 Use hardware (items 11, 12 & 13) to attached both brackets (item 9) to the tank (item 1).
- 2 Place both clamps (item 10) on the handle of the machine.
- 3 Use nuts (item 14) to attach the tank sub-assembly to the handle of the machine.
- 4 Ensure the tank is positioned to allow the machine handle to rest in it's fully upright position.
- 5 Assemble fitting and plastic nut (items 7 & 8) to the holes provided in the steel base of the machine.
- 6 Assemble tubes and fittings (items 2 through 6) to the bottom fitting on the tank.
Note: some items may need to be removed from the tank.
- 7 Connect hoses (items 5 & 6) to the straight fittings (item 7) and the tee fitting (item 4).



PACIFIC™
FLOORCARE