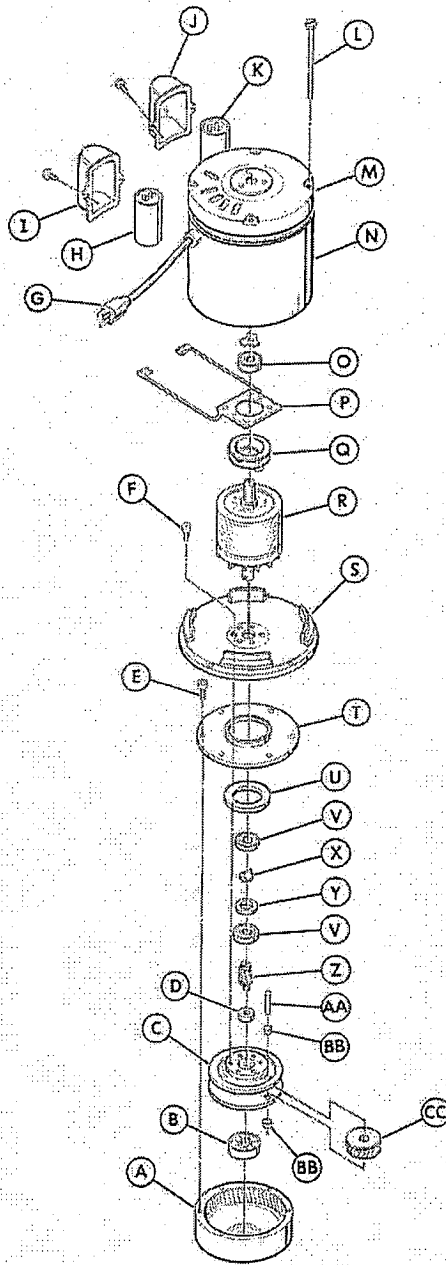
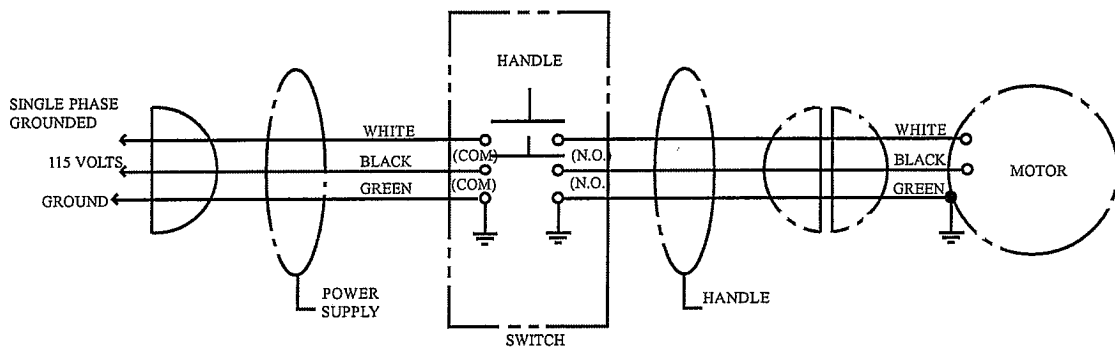


AC MOTOR ILLUSTRATION



WIRING DIAGRAM



AC MOTOR PARTS LIST

ITEM	DESCRIPTION	1/3 HP Motor & Gear Asm.-115V PART NO.	1HP Motor & Gear Asm.-115V (IMP# AD10018A) PART NO.	1.5HP Motor & Gear Asm.-115V (IMP# AD15017A) PART NO.
	Motor & Gear Asm.-60HZ		475202	505251
	Motor Only	505215 (BAL# 350613S319G1)	Order 475202 Assm.	505249
	Gear Asm. Only	503525	503522	503526

A	Ring Gear Housing		504209	504209
B	Bearing		902007	902007
C	Planet Gear Hsing,10:1-3 Idler			
D	Bearing		902005	902005
E	Screw		960016	960016
F	Screw		960017	960017
G	Motor Cord			
H	Run Capacitor		911567 (50MFD/370V)	911305 (60MFD/250V)
J	Cover, Capacitor	502398	502321	502322
K	Start Capacitor	911611 (270-324MFD/125V)	911304 (450MFD/165V or 300V)	911304 (450MFD/165V or 300V)
L	Bolt			
M	End Bell		502934	502934
N	Stator Asm (No Capacitors), Chrome			
O	Bearing, Motor Top		902003	902003
P	Stationary Switch	911612	911306	911306
Q	Rotary Switch (For 60 Cycle)	911219	911307	911307
R	Rotor Assembly (No Bearings or Switch)			
S	End Bell-Motor Lower		502934	502934
T	Cover, Ring Gear			
U	Bearing	902047	902015	902015
V	Bearing	902048	902005	902005
X	Coupling Flexible	502460	502460	502460
Y	Spacer		508211	508211
Z	Pinion		503510	503510
AA	Shaft-Planet Gear	507701 (Qty 1)	507701 (Qty 2)	507701 (Qty 3)
BB	Bearing-Planet Shaft	902016 (Qty 2)	902016 (Qty 4)	902016 (Qty 6)
CC	Gear-Planet	503511 (Qty 1)	503511 (Qty 2)	503511 (Qty 3)