

KÄRCHER

makes a difference

Spare Parts List

Chariot 3 iScrub

1.008-074.0	ISCRUB 26, 225AH SHELF POLY BRUSH	1.008-103.0	ISCRUB 26, 205AH SHELF PAD DRIVER
1.008-075.0	ISCRUB 26, 205AH SHELF POLY BRUSH	1.008-104.0	ISCRUB 26, 234AH AGM SHELF PAD DRIVER
1.008-076.0	ISCRUB 26, 234AH AGM SHELF POLY BRUSH	1.008-105.0	ISCRUB 26, 225AH OBC PAD DRIVER
1.008-077.0	ISCRUB 26, 225AH OBC POLY BRUSH	1.008-106.0	ISCRUB 26, 205AH OBC PAD DRIVER
1.008-078.0	ISCRUB 26, 205AH OBC POLY BRUSH	1.008-107.0	ISCRUB 26, 234AH AGM OBC PAD DRIVER
1.008-079.0	ISCRUB 26, 234AH AGM OBC POLY BRUSH	1.008-108.0	ISCRUB 26, PKG ONLY SHELF PAD DRIVER
1.008-080.0	ISCRUB 26 SP, 225AH SHELF	1.008-109.0	ISCRUB 26, 225AH SHELF MC PAD DRIVER
1.008-081.0	ISCRUB 26SP, 205AH SHELF	1.008-110.0	ISCRUB 26, 205AH SHELF MC PAD DRIVER
1.008-082.0	ISCRUB 26SP, 234AH AGM SHELF	1.008-111.0	ISCRUB 26, 234AH AGM SHELF MC PAD DRIVER
1.008-083.0	ISCRUB 26 SP, 225AH OBC	1.008-112.0	ISCRUB 26, 225AH OBC MC PAD DRIVER
1.008-084.0	ISCRUB 26SP, 205AH OBC	1.008-113.0	ISCRUB 26, 205AH OBC MC PAD DRIVER
1.008-085.0	ISCRUB 26SP, 234AH AGM OBC	1.008-114.0	ISCRUB 26, 234AH AGM OBC MC PAD DRIVER
1.008-086.0	ISCRUB 26, 205AH OBC MC POLY BRUSH	1.008-147.0	CHARIOT 3 ISCRUB 26 LI SHELF PAD DRIVER
1.008-087.0	SCRUB 26, 234AH AGM OBC MC POLY BRUSH	1.008-150.0	Chariot iScrub 26SP Li shelf
1.008-088.0	ISCRUB 26 SP, 225AH SHELF MC	1.008-152.0	ISCRUB 26, INTL POLY BRUSH
1.008-089.0	ISCRUB 26SP, 234AH AGM SHELF MC	1.008-153.0	ISCRUB 26, PKG ONLY SHELF POLY BRUSH
1.008-090.0	ISCRUB 26 SP, 225AH OBC MC	1.008-154.0	ISCRUB 26SP, INTL
1.008-091.0	ISCRUB 26SP, 234AH AGM OBC MC	1.008-155.0	ISCRUB 26SP, PKG ONLY SHELF
1.008-102.0	ISCRUB 26, 225AH SHELF PAD DRIVER	1.006-722.0	ISCRUB 26 OBC PAD DRIVER

From Serial Number (Ref No. 1*)

* See Serial Number page
or call manufacturer.

86446690-F 12/12/24

Table of contents

CS26 ALL MODELS GROUPS - AURORA (0.175-273.0)	3
10 Bumper	5
20 Console	7
30 Console Mounting	9
40 Control Panel - Upper	11
50 Control Panel - Lower	13
60 Control Panel - Chemical Solution Meteri	15
70 Control Panel Mounting	17
80 Labels	19
90 Drive Mounting	21
100 Frame	23
110 Platform	25
120 Platform Footbox & Rear Wheels	27
130 Rear Cover	29
140 Scrub Deck - Disk	31
150 Scrub Deck Lift - Disk	33
160 Scrub Deck Mounting - Disk	35
170 Scrub Brush/Pads Driver - Disk	37
180 Solution System - Disk	39
190 Squeegee - Disk	41
200 Squeegee Lift	44
210 Squeegee Swing - Disk	46
220 Scrub Deck - Cylindrical	48
1 Brush-head R 65 S (2.763-004.0)	50
10 Brush-head R 65 S	51
10 Power brush R 65 S	52
34 Set splash guard reinforced (4.071-003.0)	56
34 Set splash guard onesided (4.071-228.0)	57
42 Set plug complete rot, 75A , Q-6mm ² (6.646-034.0)	58
43 Set plug complete blau , 75A , Q-6mm ² (6.646-033.0)	60
49 Holder power brush replacement (4.040-194.0)	62
20 Roll pad BR	64
230 Scrub Deck Lift - Cylindrical	66
240 Scrub Deck Skirts	68
250 Scrub Deck Mounting - Cylindrical	70
270 Solution System - Cylindrical	72
280 Squeegee - Cylindrical	74
1 Suction bar curved 850mm - B95RS (4.777-100.0)	76

Table of contents

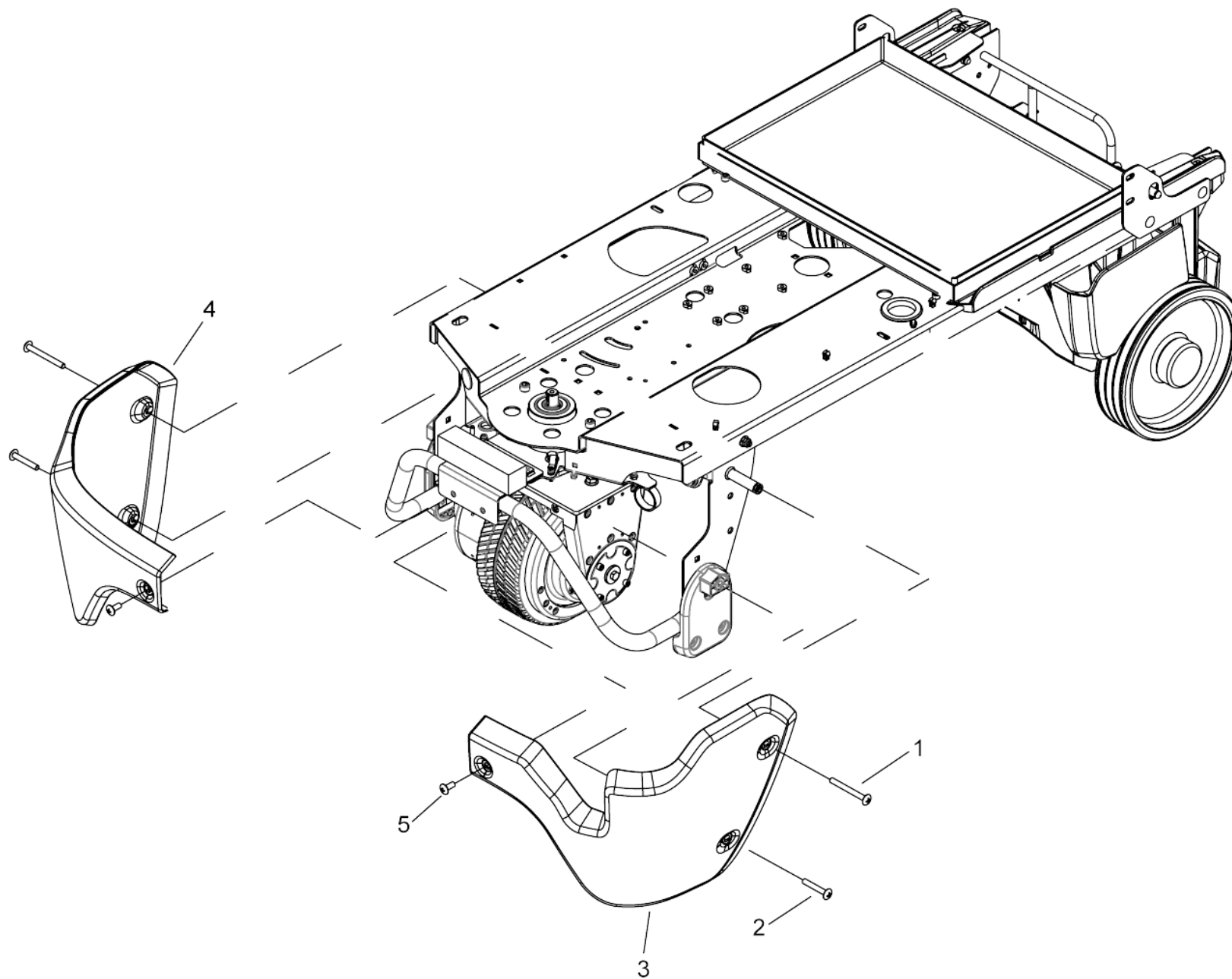
10 Suction bar pre-assembled curved 850mm	78
9000 Roller suction bar (4.035-339.0)	80
9002 BLADES FOR TEXTURED FLOORS (6.273-290.0)	82
290 Squeegee Swing - Cylindrical	83
300 Steering	85
310 Tank	88
320 Vacuum	90
325 Battery Tray	92
330 Wiring-Components	94
340 Battery Exchange - 1	96
350 Battery Exchange - 2	98
360 Battery Exchange - 3	100
370 Onboard Charger	102
380 Chemical Metering Solution System - Disk	104
390 Chemical Metering Solution System - Cyli	106
400 BATTERY, 234AH AGM, CS26	108
400 BATTERY, 205AH LA, CS26	110
400 BATTERY, LITHIUM	111
440 BATTERY CABLES, INTL, CS26	112

CS26 ALL MODELS GROUPS - AURORA (0.175-273.0)

POS	Article no.	Description	Quantity	Unit	Remark
10		Bumper	1	PC	
20		Console	1	PC	
30		Console Mounting	1	PC	
40		Control Panel - Upper	1	PC	
50		Control Panel - Lower	1	PC	
60		Control Panel - Chemical Solution Meteri	1	PC	
70		Control Panel Mounting	1	PC	
80		Labels	1	PC	
90		Drive Mounting	1	PC	
100		Frame	1	PC	
110		Platform	1	PC	
120		Platform Footbox & Rear Wheels	1	PC	
130		Rear Cover	1	PC	
140		Scrub Deck - Disk	1	PC	
150		Scrub Deck Lift - Disk	1	PC	
160		Scrub Deck Mounting - Disk	1	PC	
170		Scrub Brush/Pads Driver - Disk	1	PC	
180		Solution System - Disk	1	PC	
190		Squeegee - Disk	1	PC	
200		Squeegee Lift	1	PC	
210		Squeegee Swing - Disk	1	PC	
220		Scrub Deck - Cylindrical	1	PC	
230		Scrub Deck Lift - Cylindrical	1	PC	
240		Scrub Deck Skirts	1	PC	
250		Scrub Deck Mounting - Cylindrical	1	PC	
270		Solution System - Cylindrical	1	PC	
280		Squeegee - Cylindrical	1	PC	
290		Squeegee Swing - Cylindrical	1	PC	
300		Steering	1	PC	
310		Tank	1	PC	
320		Vacuum	1	PC	
325		Battery Tray	1	PC	
330		Wiring-Components	1	PC	

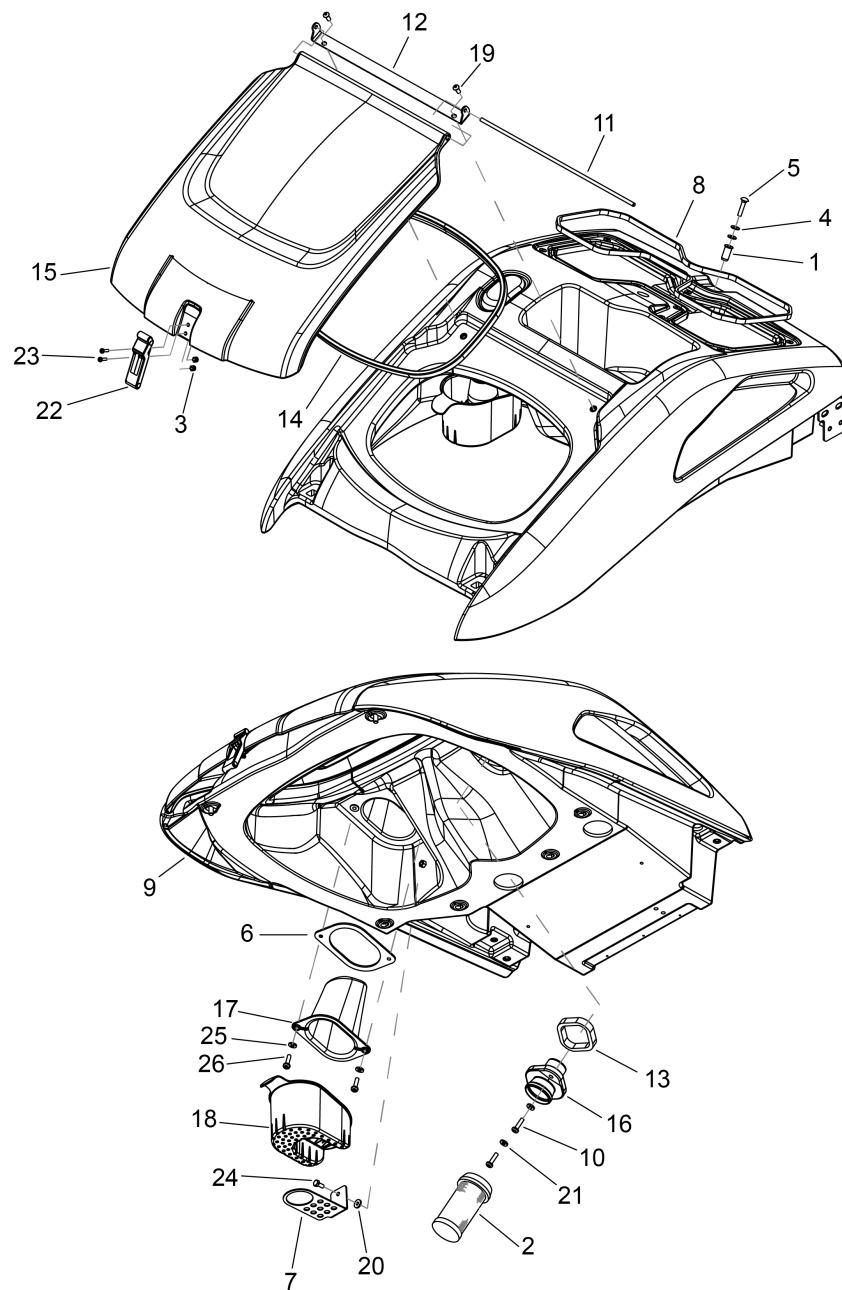
CS26 ALL MODELS GROUPS - AURORA (0.175-273.0)

POS	Article no.	Description	Quantity	Unit	Remark
340		Battery Exchange - 1	1	PC	
350		Battery Exchange - 2	1	PC	
360		Battery Exchange - 3	1	PC	
370		Onboard Charger	1	PC	
380		Chemical Metering Solution System - Disk	1	PC	
390		Chemical Metering Solution System - Cyli	1	PC	
400		BATTERY, 234AH AGM, CS26	1	PC	1.008-076.0, 079, 082, 085, 087, 089, 091, 104, 107, 111 114
400		BATTERY, 205AH LA, CS26	1	PC	1.008-075.0, 078, 081, 084, 086, 103, 106, 110, 113
400		BATTERY, LITHIUM	1	PC	1.008-147.0, 150
400		BATTERY, 225AH LA, CS26	1	PC	1.008-074.0,077, 080, 083, 088, 090,102, 105, 109, 112
410	8.600-015.0	Battery charger	1	PC	1.008-076.0, 082, 089, 104, 111
410	8.641-487.0	CHRGR, 36V 21A SB175 ALG 3	1	PC	1.008-074.0, 075, 080, 081, 088, 102, 103, 109, 110
410	8.642-839.0	CHRGR, 36V 21A SB175 ALG 261	1	PC	1.008-147.0, 150
420	8.600-022.0	Brush	1	PC	1.008-074.0, 075, 076, 077, 078, 079, 087, 152, 153
430	8.600-021.0	Pad driver 13" SD	1	PC	1.008-102.0 thru 1.008-114.0, 114
440		BATTERY CABLES, INTL, CS26	1	PC	1.008-152.0, 1.008-154.0, 1.006-722.0
540		iScrub26 Serial Numbers	1	PC	



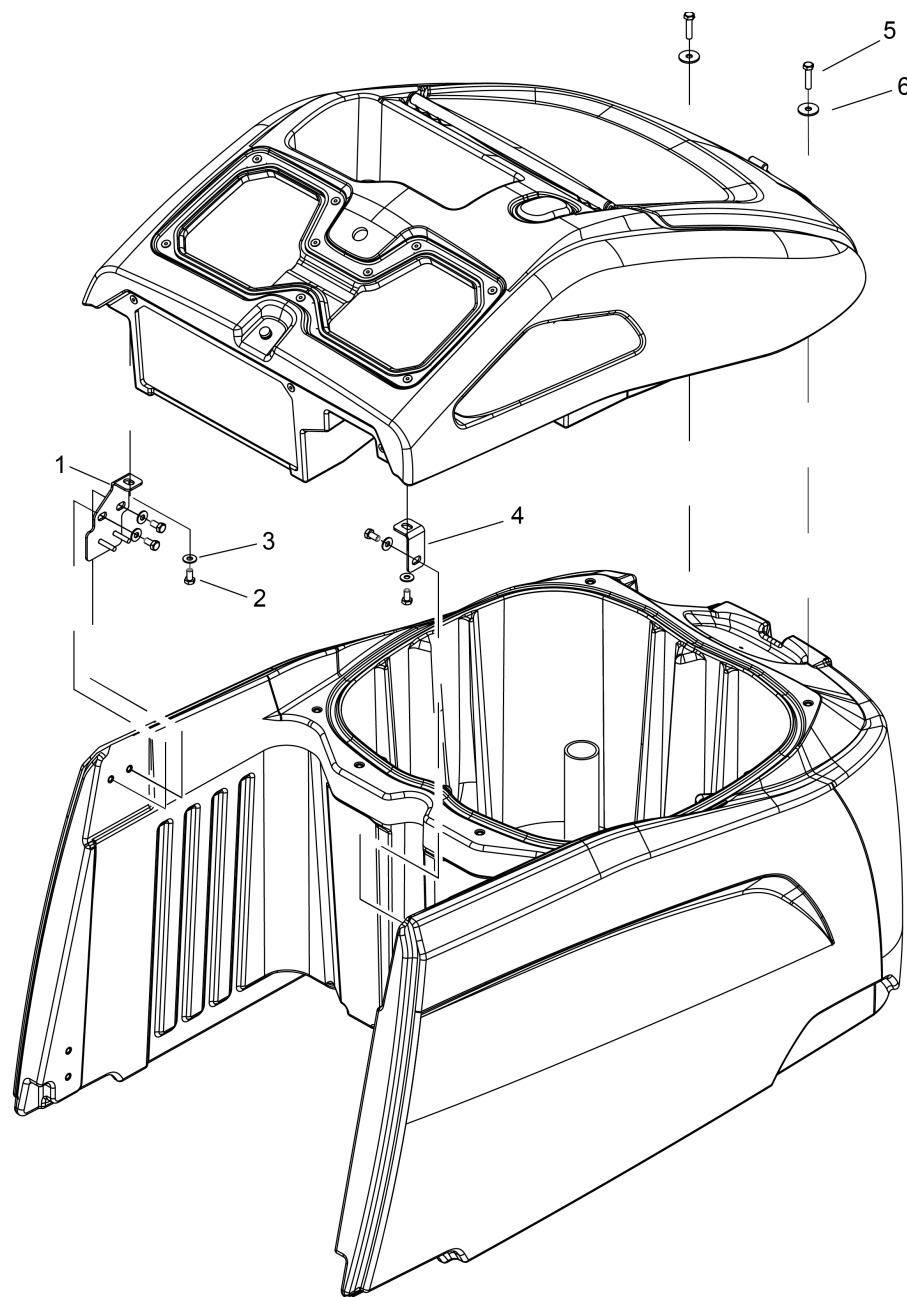
10 Bumper

POS	Article no.	Description	Quantity	Unit
1	8.636-196.0	SCREW, 5/16-18 X 3 PHTRHMS SS	2	PC
2	8.636-195.0	SCREW, 5/16-18 X 2 PHTRHMS SS	2	PC
3	8.639-965.0	BUMPER, LEFT, BLK	1	PC
4	8.639-964.0	BUMPER, RIGHT, BLK	1	PC
5	8.627-689.0	SCREW, 5/16-18 X .75 PHTRHMS SS	2	PC



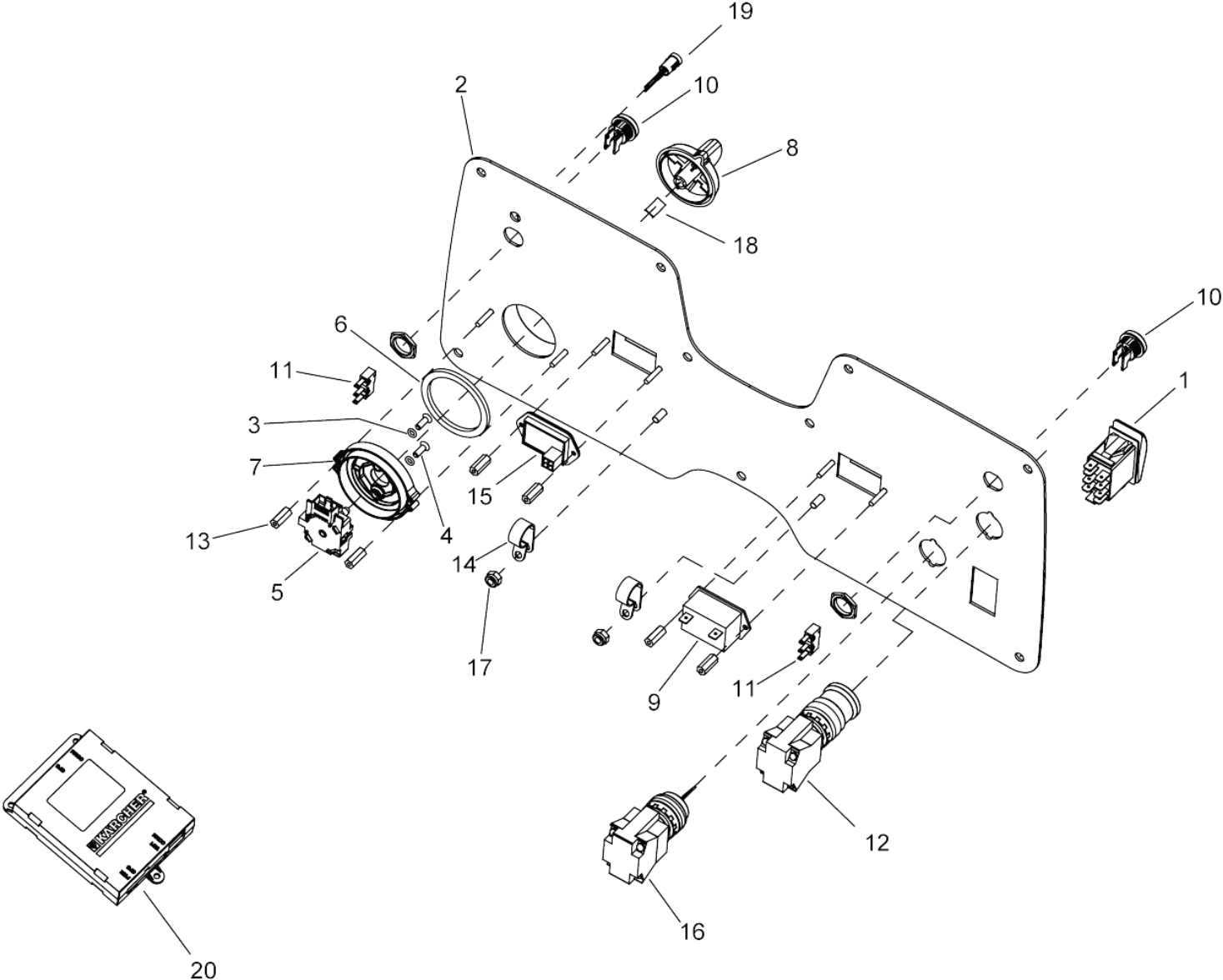
20 Console

POS	Article no.	Description	Quantity	Unit	Remark
1	8.600-562.0	NUT, 1/4-20 WELL	1	PC	
2	8.619-984.0	Cage float -1Ball	1	PC	
3	8.627-202.0	NUT, 8-32 HEXTHIN NYLOCK SS	2	PC	
4	8.636-177.0	WASHER, 1/4 FLT SS	2	PC	
5	8.636-176.0	SCREW, 1/4-20 X 1.25 RDHCARR SS	1	PC	
6	8.636-141.0	GASKET, SIGHT GLASS DOME	1	PC	
7	8.636-077.0	BRKT, RECOVERY TUBE	1	PC	
8	8.636-070.0	GASKET, .188 X .37 X 53.2	1	PC	
9	8.639-980.0	CONSOLE, GRAY, OBC/MC, CS26	1	PC	OPTIONAL CSCM26
9	8.639-981.0	CONSOLE, GRAY, CS26	1	PC	OPTIONAL - CSM26
9	8.639-982.0	CONSOLE, GRAY, OBC, CS26	1	PC	OPTIONAL-CSC26, CS26LI
9	8.639-983.0	CONSOLE, GRAY, MC, CS26	1	PC	OPTIONAL-CSCM26, CSM26
10	8.600-653.0	SCREW, 1/4-20 X 1 PHPNHMS SS	2	PC	
11	8.636-026.0	SHAFT, .25 X 15.80, SS	1	PC	
12	8.636-014.0	BRKT, LID HINGE	1	PC	
13	8.635-956.0	GASKET, FLOAT SCREEN ADAPTER	1	PC	
14	8.635-922.0	GASKET, LID, 48.5"	1	PC	
15	8.639-993.0	LID, RECOVERY, BLK	1	PC	
16	8.635-909.0	ADAPTER, FLOAT SCREEN	1	PC	
17	8.635-905.0	DOME, SIGHT GLASS	1	PC	
18	8.635-902.0	BASKET, FILTER, RECOVER TANK	1	PC	
19	8.632-421.0	SCREW, 1/4-20 X .625 SCHBTNHCS BLKOX	2	PC	
20	8.632-330.0	WASHER, .23 X .63 X .093 NPRN	1	PC	
21	8.627-961.0	WASHER, 1/4 SEG SS	2	PC	
22	8.616-180.0	Snap fastener	1	PC	
23	8.627-762.0	SCREW, 8-32 X .5 HHCS SS	2	PC	
24	8.627-375.0	SCREW, 1/4-20 X .625 HHCS SS NP	1	PC	
25	8.601-065.0	WASHER, .203 X .562 X .040 FLT	2	PC	
26	8.632-957.0	SCREW, 10-32 X 1 TMS SS TL	2	PC	



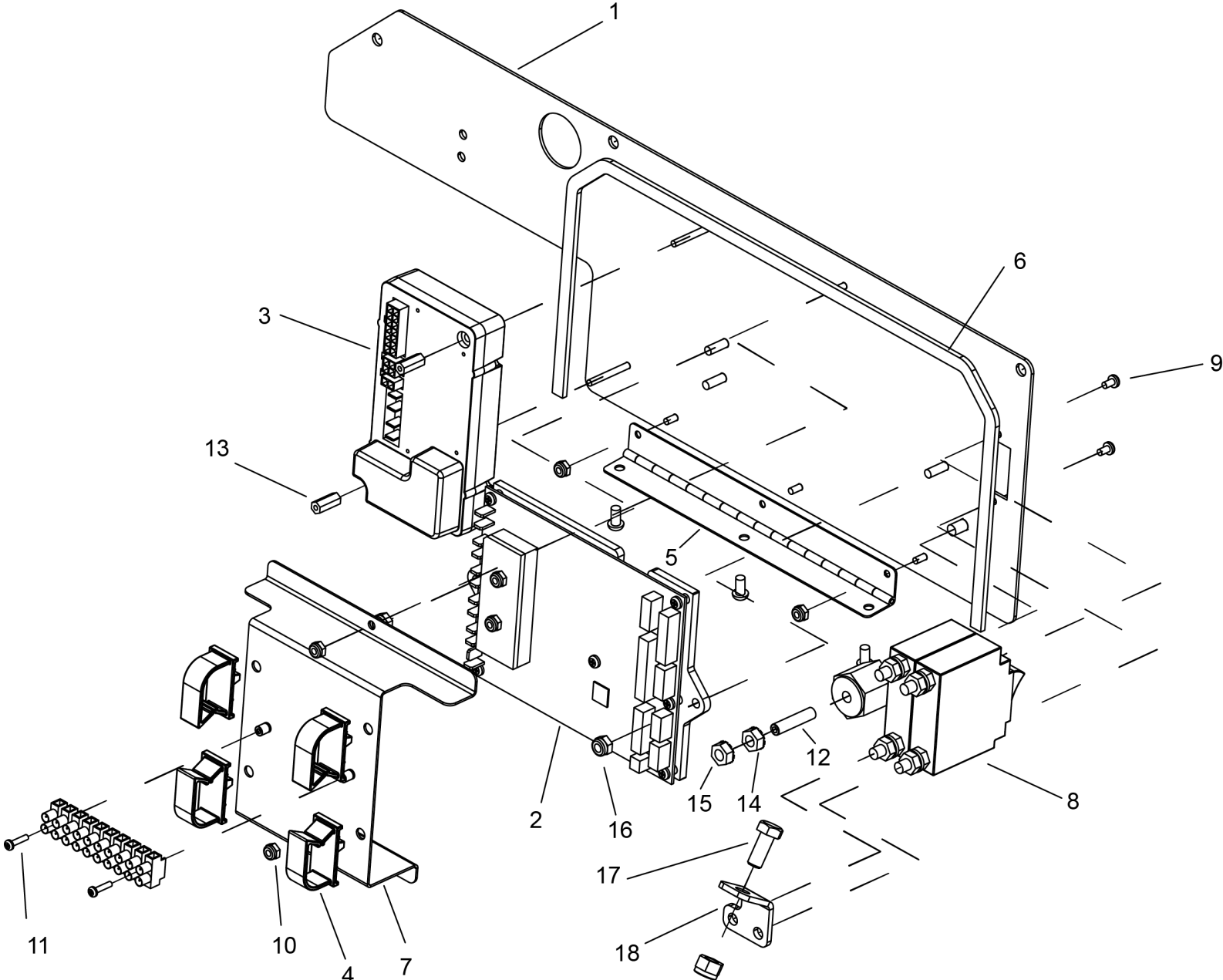
30 Console Mounting

POS	Article no.	Description	Quantity	Unit
1	8.636-030.0	BRKT, CONSOLE MT LT	1	PC
2	8.627-649.0	SCREW, 5/16-18 X .625 HHCS SS	5	PC
3	8.601-067.0	WASHER, 5/16 FLT SS	5	PC
4	8.636-029.0	BRKT, CONSOLE MT RT	1	PC
5	8.636-796.0	SCREW, 5/16-18 X 1.375 HHCS SS	2	PC
6	8.636-725.0	WASHER, .344 X 1.13 X .09 SS	2	PC



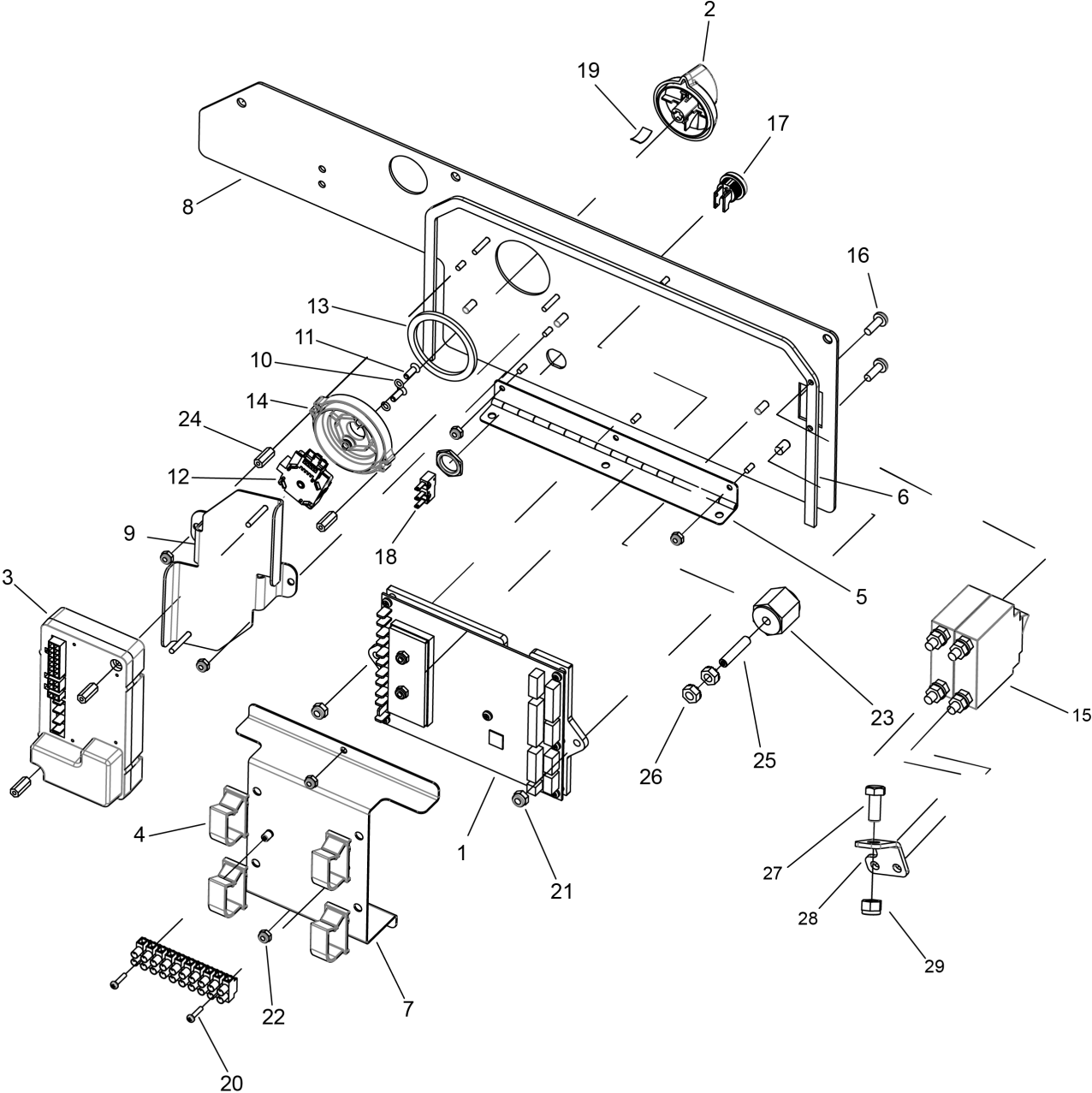
40 Control Panel - Upper

POS	Article no.	Description	Quantity	Unit	Remark
1	8.636-259.0	SWITCH, SPDT 3 POSN MON, ARROW	1	PC	
2	8.636-069.0	PANEL, CONTROL UPPER, CS26	1	PC	
3	8.635-844.0	O-RING, 4MM ID, 1.5MM THK, BUNA-N	2	PC	
4	8.635-843.0	SCREW, M4 X 12 FLHMS SS ISO7046 NP	2	PC	
5	8.635-487.0	SWITCH, ROTARY	1	PC	
6	8.635-481.0	GASKET, ROTARY SWITCH	1	PC	
7	8.635-456.0	BEZEL, ROTARY SWITCH	1	PC	
8	5.321-738.0	Handhold operational concept	1	PC	
9	8.631-547.0	METER, HOUR ICD	1	PC	
10	8.629-520.0	ASM, BUTTON, BLACK, W/BEZEL	2	PC	
11	8.629-278.0	SWITCH, MICRO	2	PC	
12	8.629-259.0	SWITCH, E-STOP AKW CHARIOT	1	PC	
13	8.625-590.0	Distance pin	6	PC	
14	8.619-846.0	CLAMP, 5/8 NYLON UL/CSA	2	PC	
15	8.601-267.0	METER, BATTERY, PG TRUE CHARGE	1	PC	EXCEPT LITHIUM
15	8.642-852.0	METER, BATTERY, DISCOVER LITHIUM	1	PC	LITHIUM ONLY
16	8.600-486.0	Ignition key	1	PC	
16	8.600-719.0	Ignition lock	1	PC	
17	8.600-564.0	NUT, 10-32 HEX NYLOCK STL GR2 ZNPLT	2	PC	
18	6.313-014.0	Spring element	1	PC	
19	8.636-710.0	LED, WATER INDICATOR	1	PC	
20	4.683-210.0	KEM Machine Connect modules V1.5 FC *NA	1	PC	
	Item text1: replaced by 4.683-352.0				
20	4.683-352.0	KEM Machine Connect modules V1.5-1 FC *NA	1	PC	



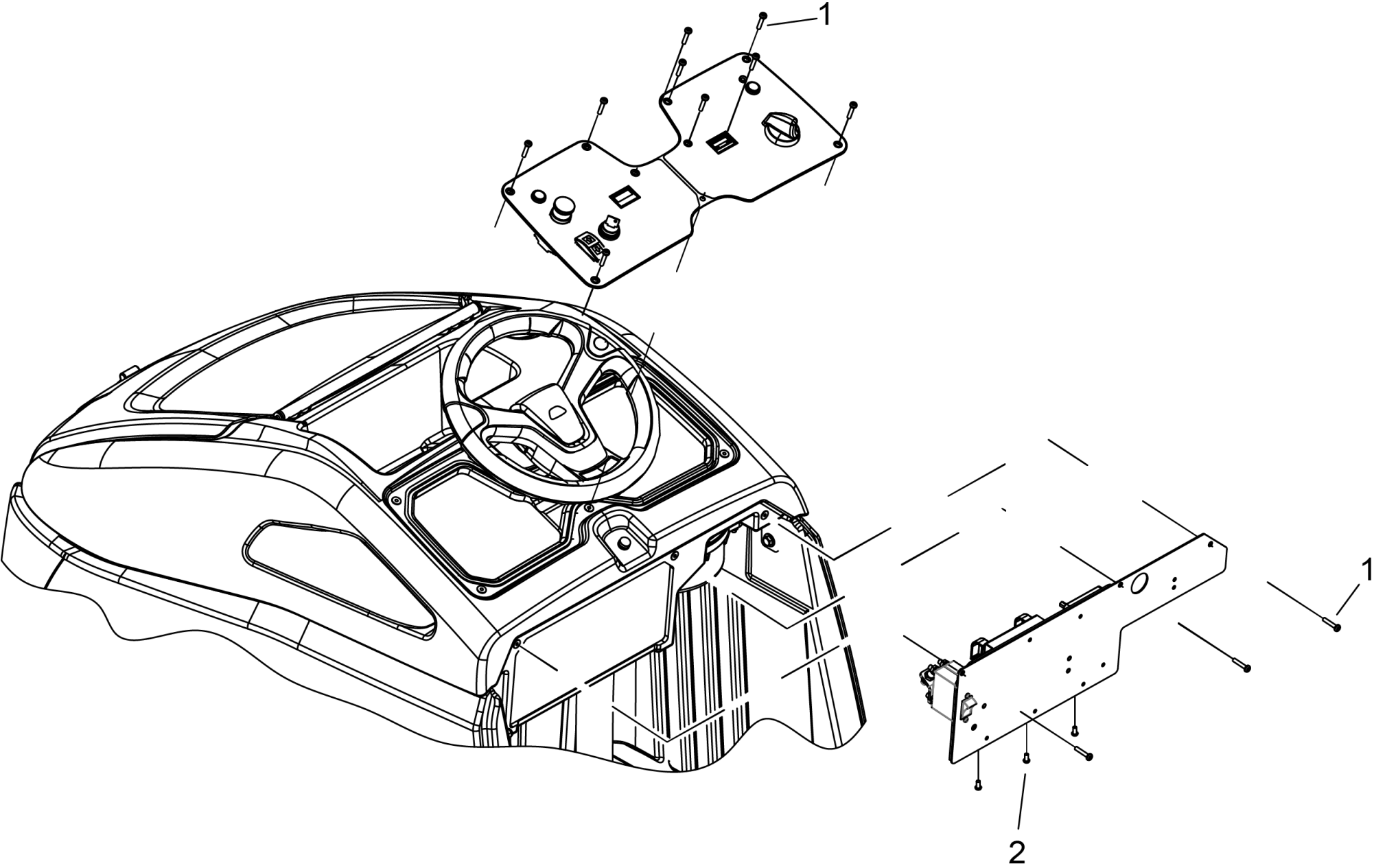
50 Control Panel - Lower

POS	Article no.	Description	Quantity	Unit	Remark
1	8.636-691.0	PANEL, LOWER, CS26	1	PC	Except Lithium
1	8.642-856.0	PANEL, LOWER, CS26 LITHIUM	1	PC	Lithium Only
2	8.641-619.0	KIT, PCB REPLACEMENT, CS26 TELEMATICS	1	PC	DISK
2	8.641-673.0	KIT, PCB REPLACEMENT, CS26SP TELEMATICS	1	PC	CYLINDRICAL
3	8.636-187.0	CONTROLLER, I-DRIVE CS26	1	PC	Except Lithium
3	8.642-843.0	CONTROLLER, I-DRIVE CS26 LITHIUM	1	PC	Lithium Only
4	8.636-152.0	CLIP, CABLE ENTRY	4	PC	
5	8.636-142.0	HINGE, PANEL	1	PC	
6	8.636-089.0	GASKET, .188 X .31 X 24.0	1	PC	
7	8.636-088.0	COVER, CONTROL BOARD	1	PC	
8	8.636-902.0	Circuit breaker 60 AMP 2-POLE TUV CSA UL	1	PC	
9	8.600-662.0	SCREW, 6-32 X .25 PHPNHMS SS	2	PC	
10	8.627-092.0	NUT, 6-32 HEX NYLOCK SS	4	PC	
11	8.627-526.0	SCREW, 4-40 X .5 PHPNHMS STL ZNPLT	2	PC	
12	8.625-591.0	STANDOFF, 1/4-20 X 1.0 HEX INS	1	PC	
13	8.625-590.0	Distance pin	2	PC	
14	8.600-685.0	SCREW, 1/4-20 X 1.25 SCHSET CP SS	1	PC	
15	8.600-571.0	NUT, 1/4-20 HEXSTRW LK STL ZNPLT	4	PC	
16	8.600-564.0	NUT, 10-32 HEX NYLOCK STL GR2 ZNPLT	2	PC	
17	8.600-676.0	SCREW, 5/16-18 X .75 HHCS	1	PC	
18	8.636-948.0	BRKT, CABLE ATTACHMENT	1	PC	
19	8.627-191.0	Nut 5/16-18 FLEX LK STL GRA ZNPLT	1	PC	



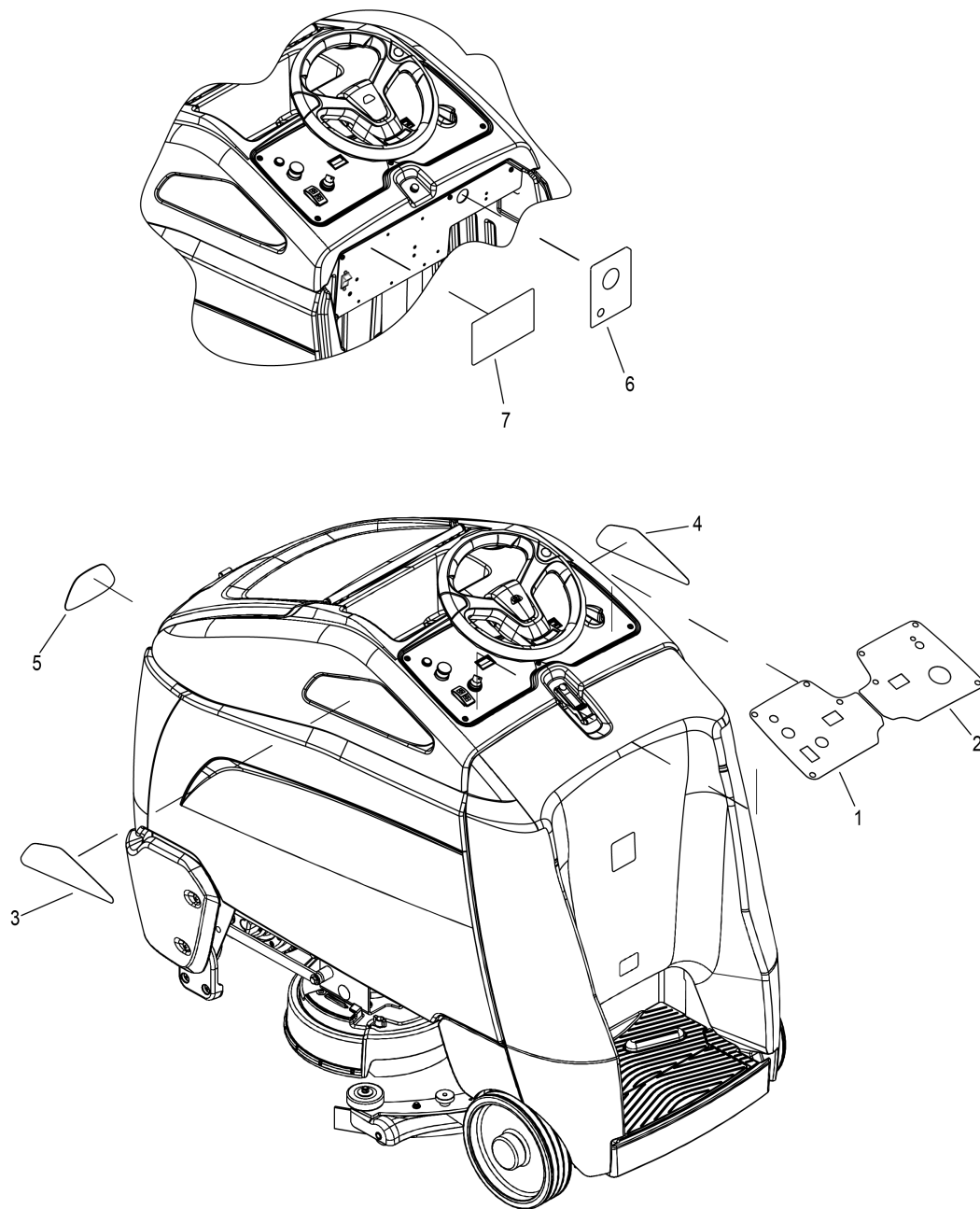
60 Control Panel - Chemical Solution Meteri

POS	Article no.	Description	Quantity	Unit	Remark
1	8.641-619.0	KIT, PCB REPLACEMENT, CS26 TELEMATICS	1	PC	DISK
1	8.641-673.0	KIT, PCB REPLACEMENT, CS26SP TELEMATICS	1	PC	CYLINDRICAL
2	5.321-738.0	Handhold operational concept	1	PC	
3	8.636-187.0	CONTROLLER, I-DRIVE CS26	1	PC	
4	8.636-152.0	CLIP, CABLE ENTRY	4	PC	
5	8.636-142.0	HINGE, PANEL	1	PC	
6	8.636-089.0	GASKET, .188 X .31 X 24.0	1	PC	
7	8.636-088.0	COVER, CONTROL BOARD	1	PC	
8	8.636-087.0	PANEL, LOWER, MC CS26	1	PC	
9	8.636-028.0	BRKT, CONTROLLER	1	PC	
10	8.635-844.0	O-RING, 4MM ID, 1.5MM THK, BUNA-N	2	PC	
11	8.635-843.0	SCREW, M4 X 12 FLHMS SS ISO7046 NP	2	PC	
12	8.635-487.0	SWITCH, ROTARY	1	PC	
13	8.635-481.0	GASKET, ROTARY SWITCH	1	PC	
14	8.635-456.0	BEZEL, ROTARY SWITCH	1	PC	
15	8.636-902.0	Circuit breaker 60 AMP 2-POLE TUV CSA UL	1	PC	
16	8.600-662.0	SCREW, 6-32 X .25 PHPNHMS SS	2	PC	
17	8.629-520.0	ASM, BUTTON, BLACK, W/BEZEL	1	PC	
18	8.629-278.0	SWITCH, MICRO	1	PC	
19	6.313-014.0	Spring element	1	PC	
20	8.627-526.0	SCREW, 4-40 X .5 PHPNHMS STL ZNPLT	2	PC	
21	8.600-564.0	NUT, 10-32 HEX NYLOCK STL GR2 ZNPLT	2	PC	
22	8.627-092.0	NUT, 6-32 HEX NYLOCK SS	6	PC	
23	8.625-591.0	STANDOFF, 1/4-20 X 1.0 HEX INS	1	PC	
24	8.625-590.0	Distance pin	4	PC	
25	8.600-685.0	SCREW, 1/4-20 X 1.25 SCHSET CP SS	1	PC	
26	8.600-571.0	NUT, 1/4-20 HEXSTRW LK STL ZNPLT	2	PC	
27	8.600-676.0	SCREW, 5/16-18 X .75 HHCS	1	PC	
28	8.636-948.0	BRKT, CABLE ATTACHMENT	1	PC	
29	8.627-191.0	Nut 5/16-18 FLEX LK STL GRA ZNPLT	1	PC	



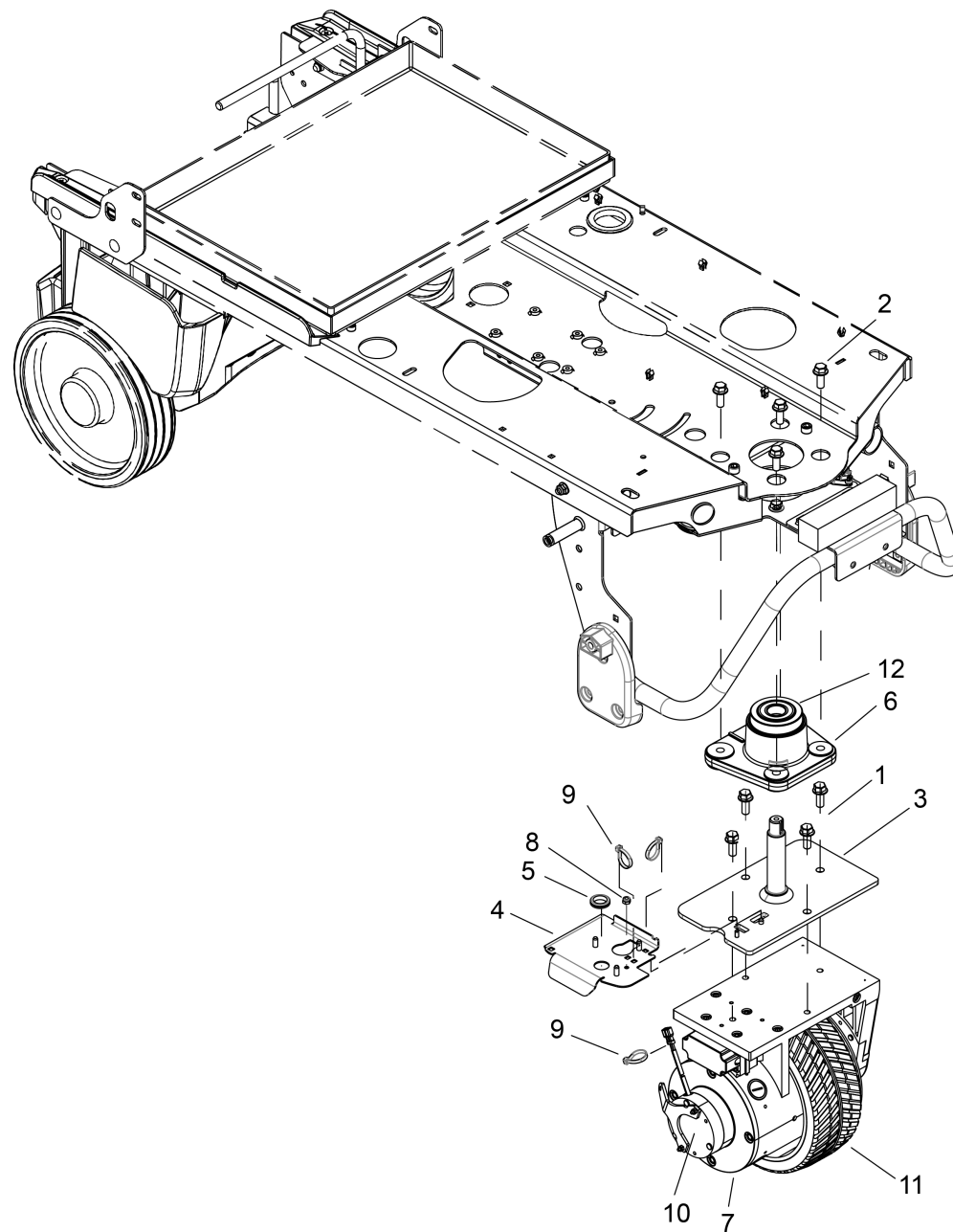
70 Control Panel Mounting

POS	Article no.	Description	Quantity	Unit
1	8.637-141.0	SCREW, 10-32 X .75 TMS SS BLK	12	PC
2	8.617-298.0	SCREW, KA50 X 10 OVHCS STL WN1412 ZNPLT	3	PC



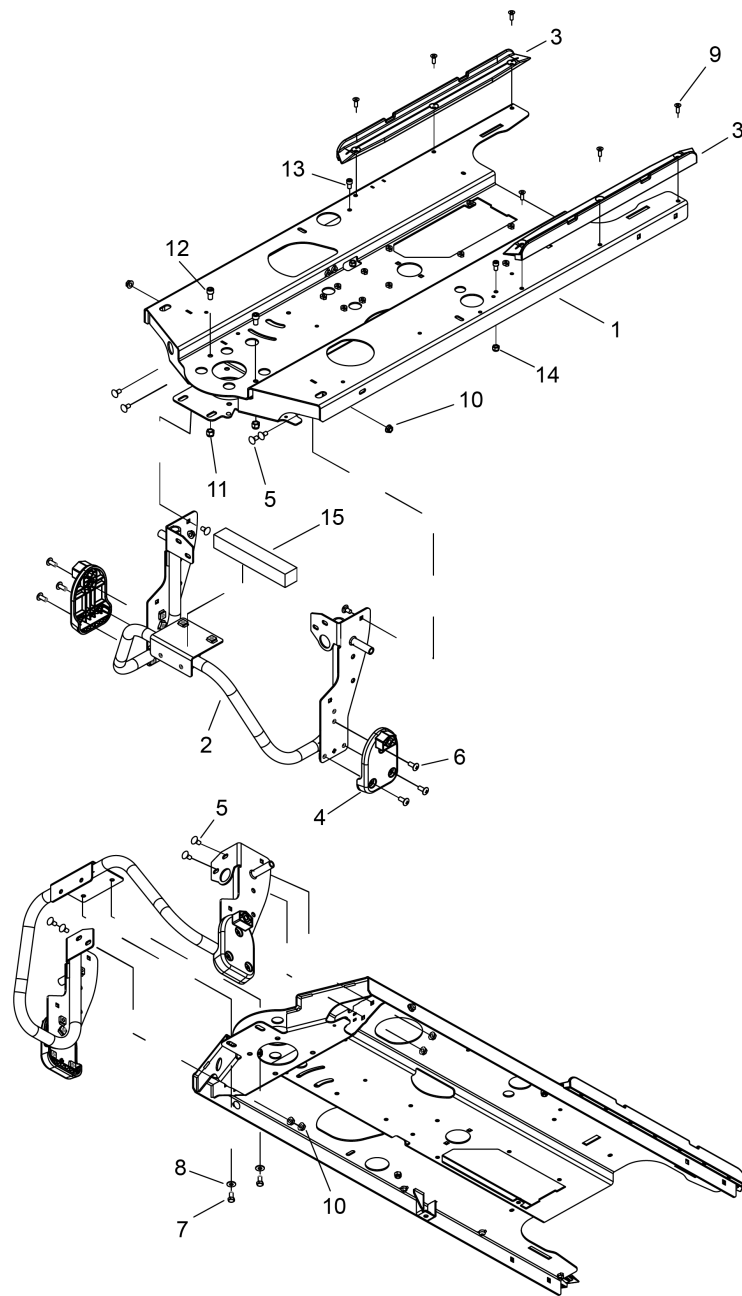
80 Labels

POS	Article no.	Description	Quantity	Unit	Remark
1	8.644-059.0	Control panel label CS26 left Karcher	1	PC	
2	8.639-542.0	LABEL, CS26 CONTROL, RIGHT	1	PC	
3	8.639-543.0	LABEL, CS26, SIDE, LEFT	1	PC	DISK
3	8.639-544.0	Label, CS26 SP, Side, Left	1	PC	CYLINDRICAL
4	8.639-545.0	LABEL, CS26, SIDE, RIGHT	1	PC	DISK
4	8.639-546.0	Label, CS26 SP, Side, Right	1	PC	CYLINDRICAL
5	8.633-516.0	LABEL, KARCHER FRONT	1	PC	
6	8.639-547.0	LABEL, CHEMICAL METERING	1	PC	OPTIONAL
7	8.636-294.0	LABEL, BATTERY CABLING	1	PC	
7	8.642-863.0	LABEL, WARNING, LITHIUM	1	PC	LITHIUM ONLY
8	8.643-129.0	Label QR code iScrub 26	1	PC	
8	8.643-130.0	Label QR code iScrub 26 SP	1	PC	



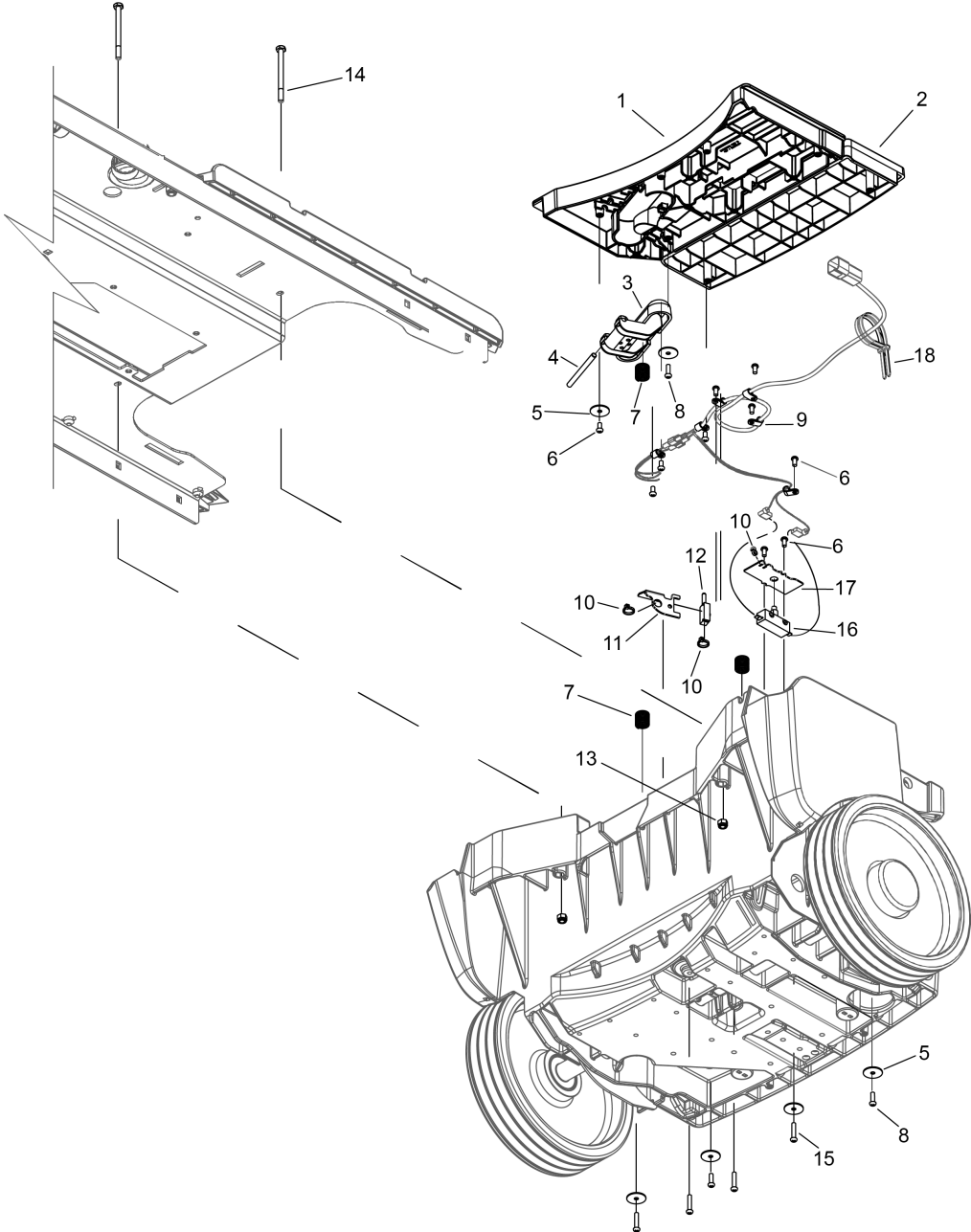
90 Drive Mounting

POS	Article no.	Description	Quantity	Unit	Remark
-	6.613-231.0	Carbon brush set	1	PC	
1	8.636-614.0	SCREW, M10-1.25 X 25 HWHCS	4	PC	
2	8.636-613.0	SCREW, 3/8-16 X 1 HWHCSSERFLG GR8	4	PC	
3	8.636-413.0	ASM, SHAFT DRIVE MOTOR	1	PC	
4	8.636-107.0	BRKT, WIRING, DRIVE UNIT	1	PC	
5	8.621-836.0	GROMMET, 3/4 ID X 7/8 GROOVE	1	PC	
6	8.635-787.0	ASM, BEARING BLOCK, FRT DRIVE	1	PC	COMPLETE
7	8.635-712.0	DRIVE WHEEL, 36VDC	1	PC	COMPLETE
8	8.627-099.0	NUT, 10-32 HEX NYLOCK SS	1	PC	
9	8.626-494.0	Cable tie 11.38" UL/CSA	3	PC	
10	8.635-713.0	BRAKE, 36 VDC	1	PC	
11	6.435-854.0	Tire wheel drive motor	1	PC	
12	8.622-398.0	Ball bearing 52x25x15	2	PC	



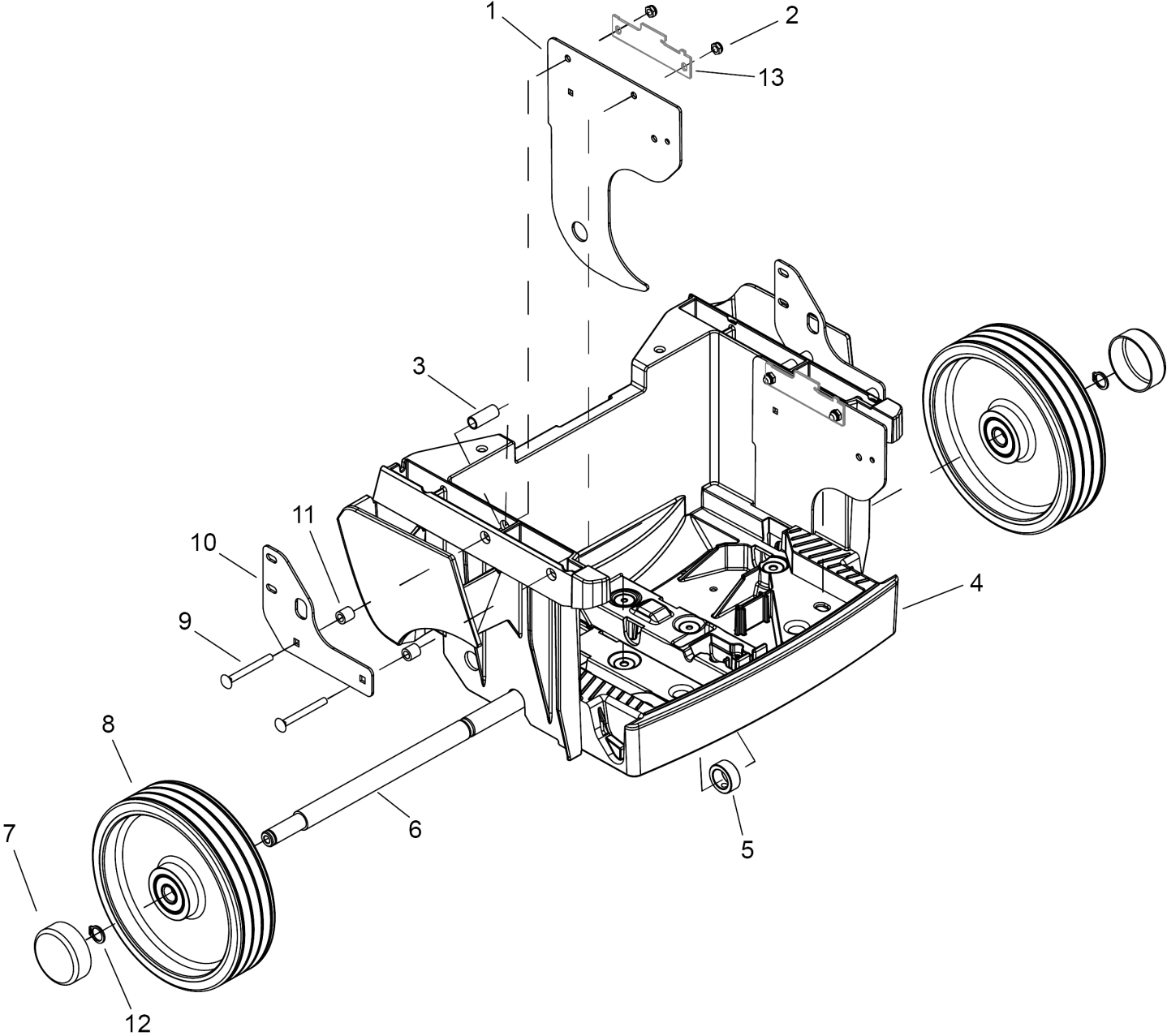
100 Frame

POS	Article no.	Description	Quantity	Unit
1	8.636-082.0	ASSY, MAIN SUPPORT, CS26	1	PC
2	8.636-071.0	ASM, WHEEL GUARD	1	PC
3	8.635-819.0	GLIDE, BATTERY TRAY	2	PC
4	8.635-795.0	PAD, TIP	2	PC
5	8.627-741.0	SCREW, 5/16-18 X .625 CARR SS	6	PC
6	8.627-689.0	SCREW, 5/16-18 X .75 PHTRHMS SS	6	PC
7	8.627-649.0	SCREW, 5/16-18 X .625 HHCS SS	2	PC
8	8.601-067.0	WASHER, 5/16 FLT SS	2	PC
9	8.640-081.0	SCREW, 1/4-20 X .75 PHFLHMS SS	6	PC
10	8.636-824.0	NUT, 5/16-18, FLG NYLOCK SS	6	PC
11	8.636-121.0	SCREW, 3/8-16 X .625 SCHCS STL BLKOX	2	PC
12	8.600-577.0	NUT, 3/8-16 HEX NYLOCK STL GR2 ZNPLT	2	PC
13	8.600-664.0	SCREW, 5/16-18 X .5 SCHCS ZN NP	2	PC
14	8.627-083.0	NUT, 5/16-18 HEX NYLOCK SS	2	PC
15	8.636-873.0	FOAM,ADH BACKED 1-SIDE,6X11/2X11/2	1	PC



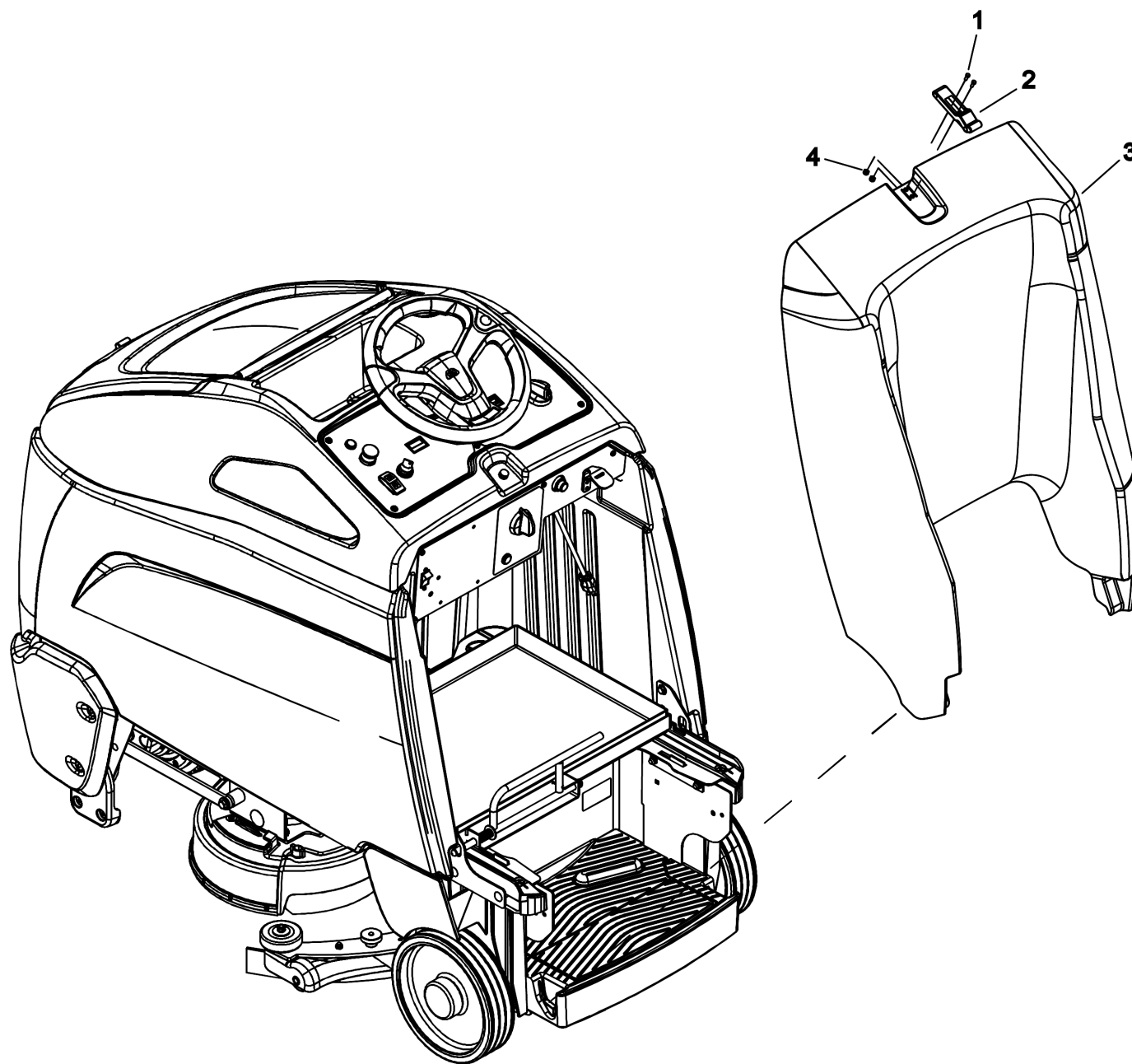
110 Platform

POS	Article no.	Description	Quantity	Unit
1	8.639-967.0	PLATFORM, OPERATOR, BLK	1	PC
2	8.633-424.0	PEDAL, HEEL, BLK	1	PC
3	8.633-469.0	PEDAL, ACCELERATOR, YEL	1	PC
4	8.636-117.0	PIN, DOWEL, 1/4 X 3.125 STL	1	PC
5	8.627-917.0	WASHER, 10 FLT	6	PC
6	8.617-298.0	SCREW, KA50 X 10 OVHCS STL WN1412 ZNPLT	10	PC
7	8.625-497.0	SPRING, COMP 18MMOD X 83 X 2	3	PC
8	7.303-104.0	Screw 5x16 -A2-70 (IN6RD)	3	PC
9	8.619-845.0	CLAMP, 5/16 dia NYLON	6	PC
10	8.626-493.0	CABLE TIE, 3.5" UL/CSA	2	PC
11	8.636-106.0	BRKT, POT. ACCEL PEDAL	1	PC
12	8.631-156.0	POTENTIOMETER ASM, LINEAR	1	PC
13	8.627-187.0	NUT, 1/4-20 HEXTHIN NYLOCK SS	2	PC
14	8.600-701.0	SCREW, 1/4-20 X 3.25 HHCS STL GR5 ZNPLT	2	PC
15	8.632-791.0	SCREW, KA50 X 25 PTOVHS STL WN1412 ZNPLT	4	PC
16	8.645-273.0	Switch snap ACT SPST-NO 25A 125V	1	PC
17	8.636-116.0	PLATE, SWITCH COVER	1	PC
18	8.626-494.0	Cable tie 11.38" UL/CSA	2	PC



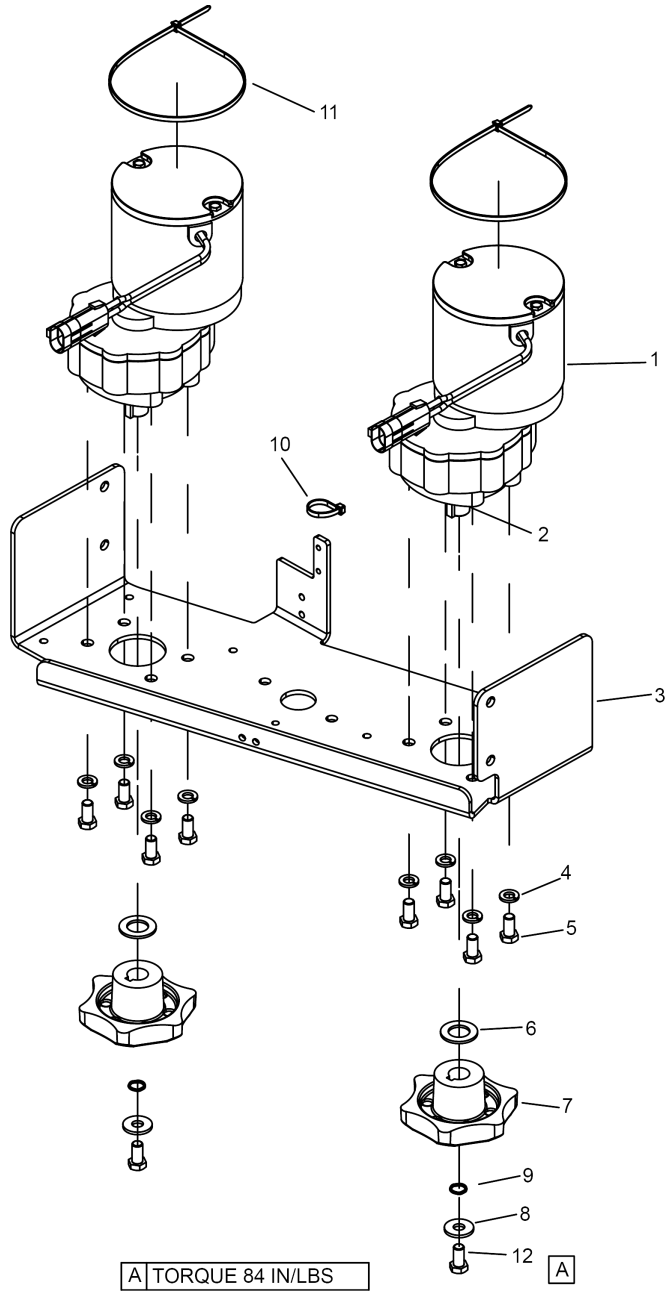
120 Platform Footbox & Rear Wheels

POS	Article no.	Description	Quantity	Unit
1	8.636-113.0	PLATE, PLATFORM SUPPORT	2	PC
2	8.627-184.0	NUT, 5/16-18 HEXTHIN NYLOCK SS	4	PC
3	8.636-114.0	SPACER, 1.50 X .625OD X .065" WALL	4	PC
4	8.639-962.0	FOOTBOX, OPERATOR PLATFORM	1	PC
5	8.636-112.0	COLLAR, SHFT 1"ID X 1-5/8"OD X 5/8"	1	PC
6	8.635-799.0	AXLE, REAR	1	PC
7	8.623-213.0	Cap 2.75 ID X 1.0 L BLK VINYL	2	PC
8	8.633-552.0	Wheel 10x 2.5	2	PC
9	8.632-649.0	SCREW, 5/16-18 X 3 CARR SS	4	PC
10	8.636-115.0	PLATE, TANK SUPPORT	2	PC
11	8.622-432.0	Spacer washer	4	PC
12	8.600-871.0	WASHER, 3/4 HVYSPL	2	PC
13	8.636-002.0	PLATE, BATTERY STOP	2	PC



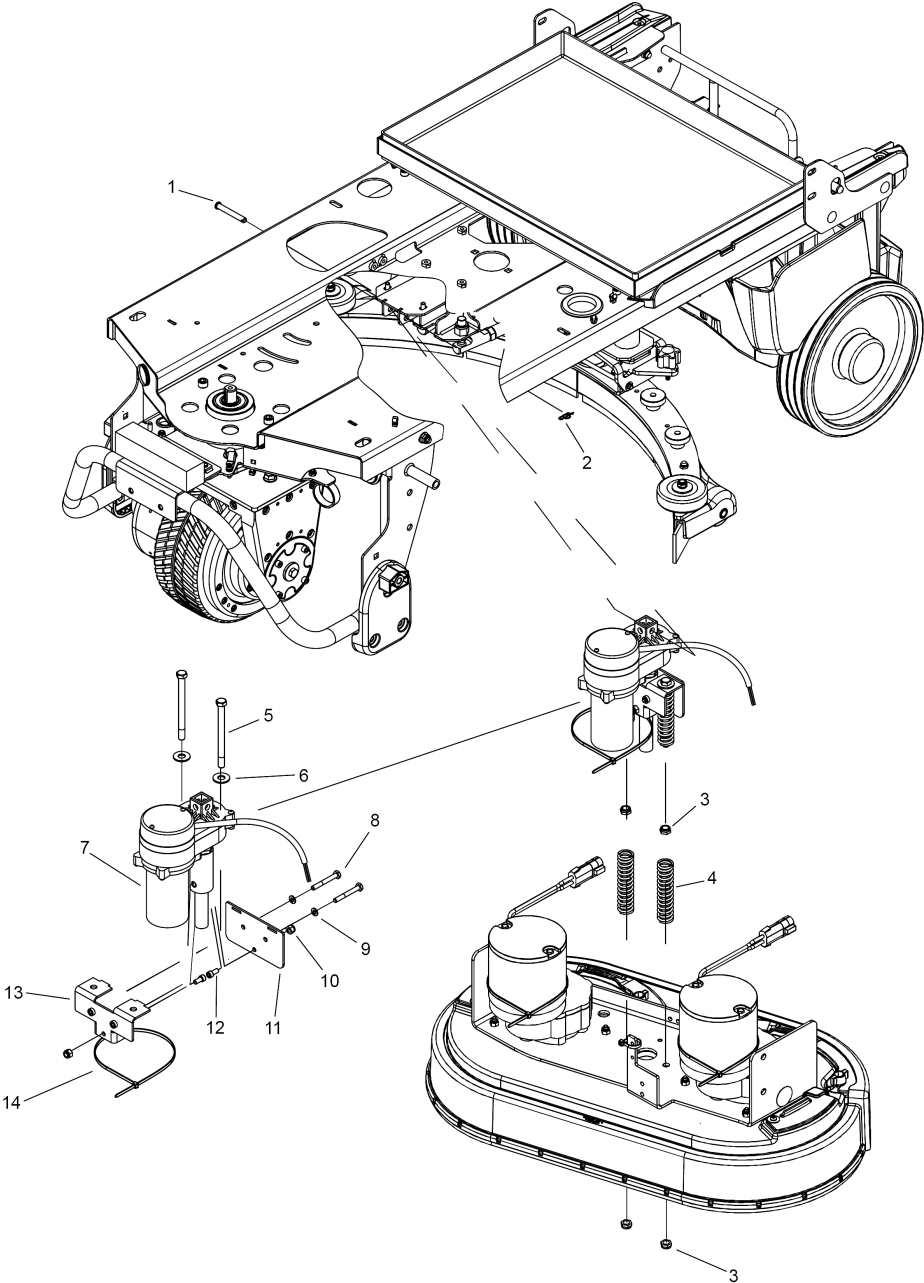
130 Rear Cover

POS	Article no.	Description	Quantity	Unit
1	8.627-762.0	SCREW, 8-32 X .5 HHCS SS	2	PC
2	8.616-180.0	Snap fastener	1	PC
3	8.639-996.0	PANEL, REAR COVER, BLK	1	PC
4	8.627-202.0	NUT, 8-32 HEXTHIN NYLOCK SS	2	PC



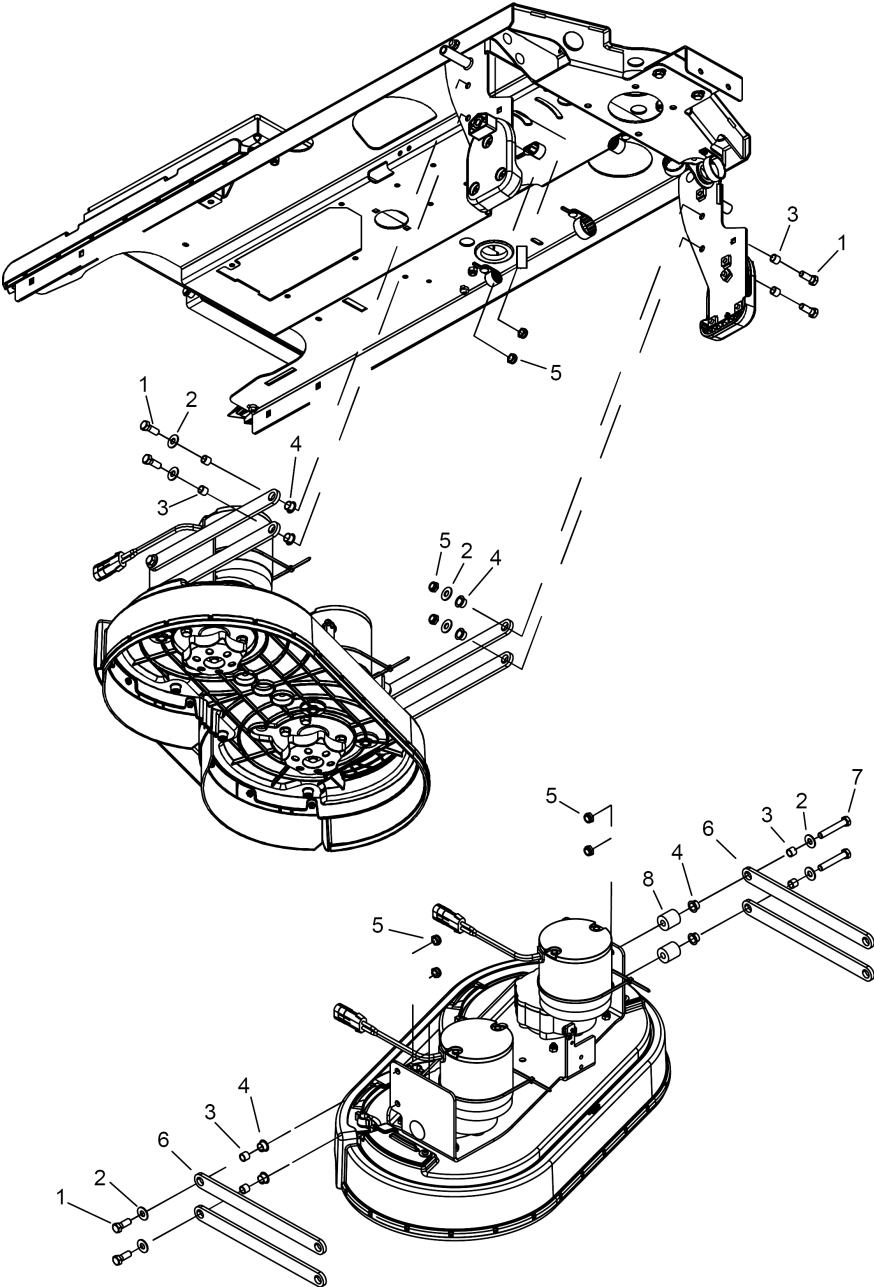
140 Scrub Deck - Disk

POS	Article no.	Description	Quantity	Unit	Remark
-	8.636-829.0	BRUSH SET, 86361810 MOTOR	1	PC	
1	8.636-181.0	MOTOR ASM, 36VDC 300RPM GEAR	2	PC	
2	8.600-871.0	WASHER, 3/4 HVYSPL	2	PC	SNAP RING INCLUDED WITH MOTOR ASSEMBLY
3	8.636-158.0	PLATE, MOTOR MOUNT	1	PC	
4	8.601-079.0	WASHER, 3/8 SPL STL ZNPLT	8	PC	
5	8.627-697.0	SCREW, 3/8-16 X .75 HHCS SS	8	PC	
6	8.627-953.0	WASHER, .765 X 1.312 X .09 SS	2	PC	
7	8.600-342.0	DRIVER, BRUSH SD	2	PC	
8	8.639-782.0	SPRING, 25 X 30 X 4.19mm WV	2	PC	
9	8.627-963.0	WASHER, 5/16 X 1.13 X .09 FLT	2	PC	
10	8.626-494.0	Cable tie 11.38" UL/CSA	1	PC	
11	8.600-283.0	Cable tie .375 X 24.7	2	PC	
12	8.627-678.0	SCREW, 5/16-18 X .75 HHCS SS	2	PC	



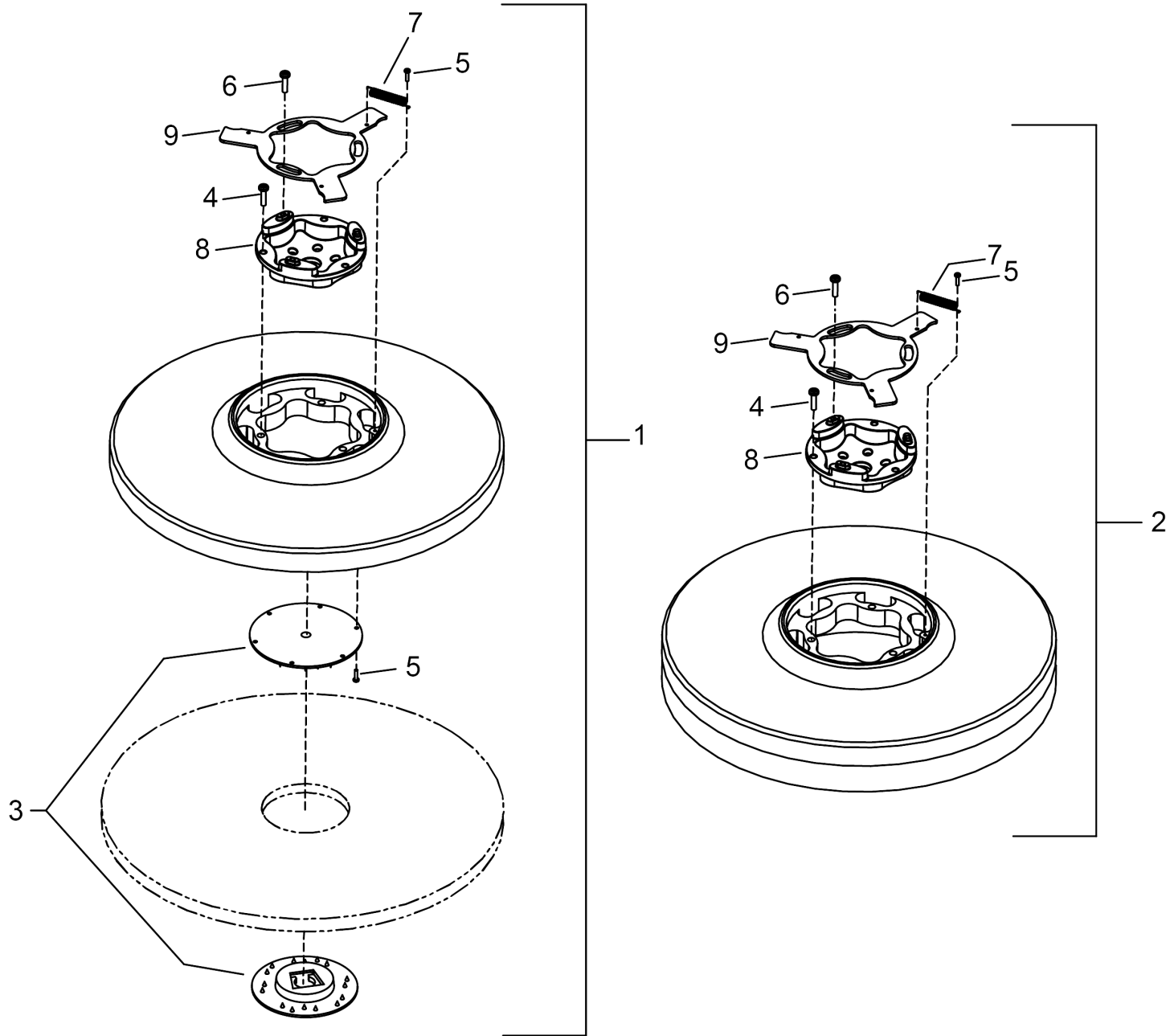
150 Scrub Deck Lift - Disk

POS	Article no.	Description	Quantity	Unit
1	8.636-544.0	PIN, CLEVIS 5/16 X 2.25 STL ZNPLT	1	PC
2	8.600-866.0	Cotter 5/16" RING	1	PC
3	8.600-563.0	NUT, 3/8-16 HEXTHIN NYLOCK SS	4	PC
4	8.625-545.0	SPRING, COMP .96D X 4.0L X .135W	2	PC
5	8.627-551.0	SCREW, 3/8-16 X 4.5 HHCS STL GR5 ZNPLT	2	PC
6	8.601-077.0	WASHER, 7/16 X1 X .08 FLT SS	2	PC
7	8.601-195.0	Actuator, 36vdc 3.5 Strk	1	PC
8	8.627-385.0	SCREW, 1/4-20 X 2 HHCS SS	2	PC
9	8.601-078.0	WASHER, 1/4 SPL STL ZNPLT	2	PC
10	8.627-187.0	NUT, 1/4-20 HEXTHIN NYLOCK SS	2	PC
11	8.636-171.0	PLATE, ACT SPG, DECK, CS26	1	PC
12	8.627-411.0	SCREW, 1/4-20 X .5 SCHCS SS	2	PC
13	8.636-172.0	BRKT, ACT SPGS, DECK, CS26	1	PC
14	8.600-283.0	Cable tie .375 X 24.7	1	PC



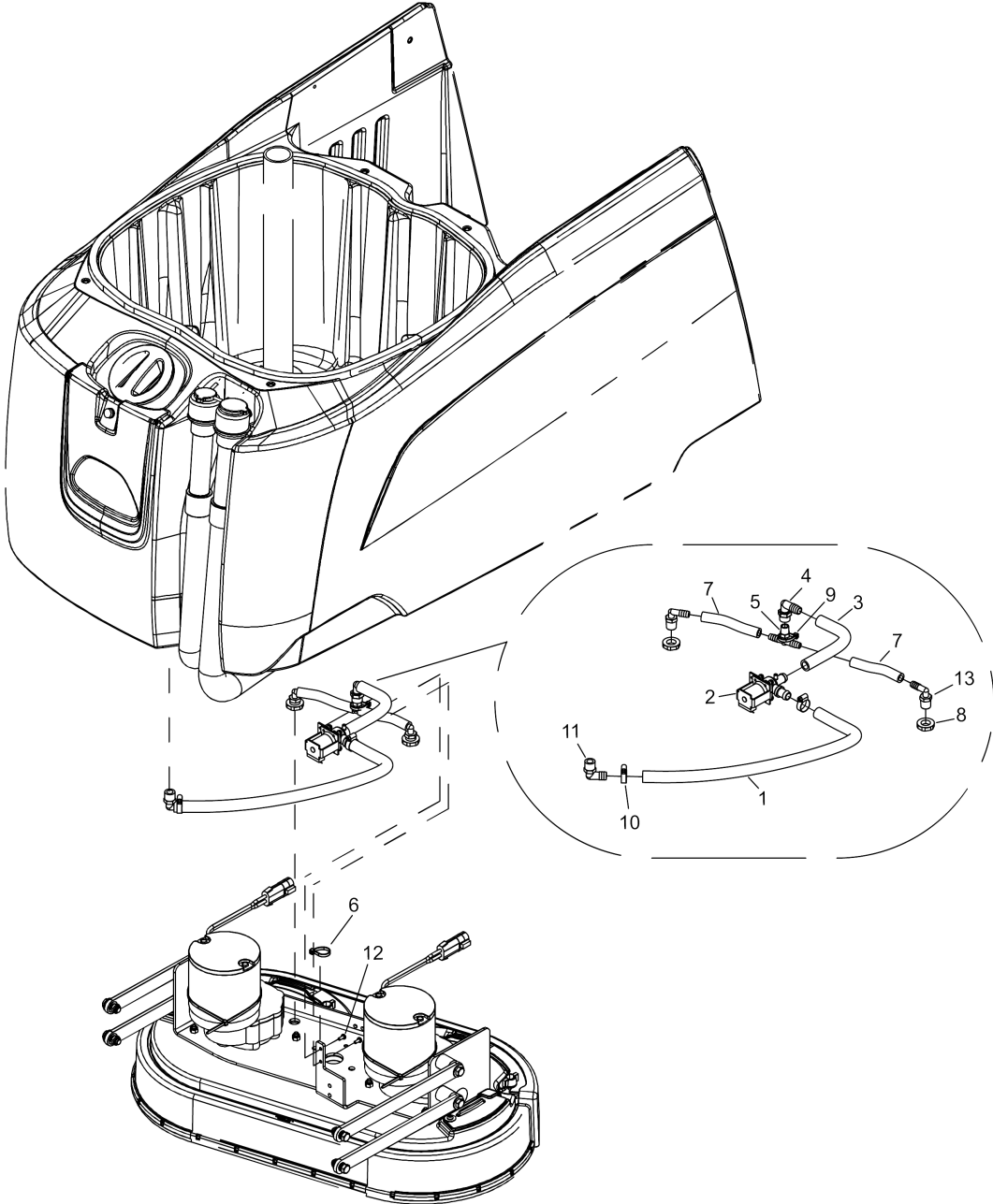
160 Scrub Deck Mounting - Disk

POS	Article no.	Description	Quantity	Unit
1	8.627-692.0	SCREW, 3/8-16 X 1 HHCS SS NP	6	PC
2	8.627-891.0	WASHER, 3/8 SS	8	PC
3	8.600-846.0	Spacer washer	8	PC
4	8.600-905.0	BUSHING, 1/2 X .344 NYL	8	PC
5	8.600-563.0	NUT, 3/8-16 HEXTHIN NYLOCK SS	8	PC
6	8.636-157.0	LINKAGE, DECK, 1.00 X .25THK	4	PC
7	8.627-647.0	SCREW, 3/8-16 X 2.25 HHCS SS	2	PC
8	8.622-438.0	SPACER, 1 OD X .391 ID X 1.063	2	PC



170 Scrub Brush/Pads Driver - Disk

POS	Article no.	Description	Quantity	Unit
1	8.600-021.0	Pad driver 13" SD	2	PC
2	8.600-022.0	Brush	2	PC
2	8.600-023.0	Brush	2	PC
2	8.600-024.0	Brush 13" MILD GRIT SD U19982	2	PC
3	8.600-507.0	Lock PAD CENTER SNAP,TWO STEP	1	PC
4	8.627-659.0	SCREW, 12-11 X 1 PHPNHMS SS TYPEA	3	PC
5	8.627-658.0	SCREW, 8-32 X .75 PHPNHMS SS	4	PC
6	8.627-660.0	SCREW, 10-12 X .75 PHTRHSMS SS TYPEA	3	PC
7	8.600-791.0	Spring EXT .31D X 2.0L X .03W	1	PC
8	8.600-728.0	Connection piece transmission brush	1	PC
9	8.600-594.0	Plate BRUSH RELEASE	1	PC



180 Solution System - Disk

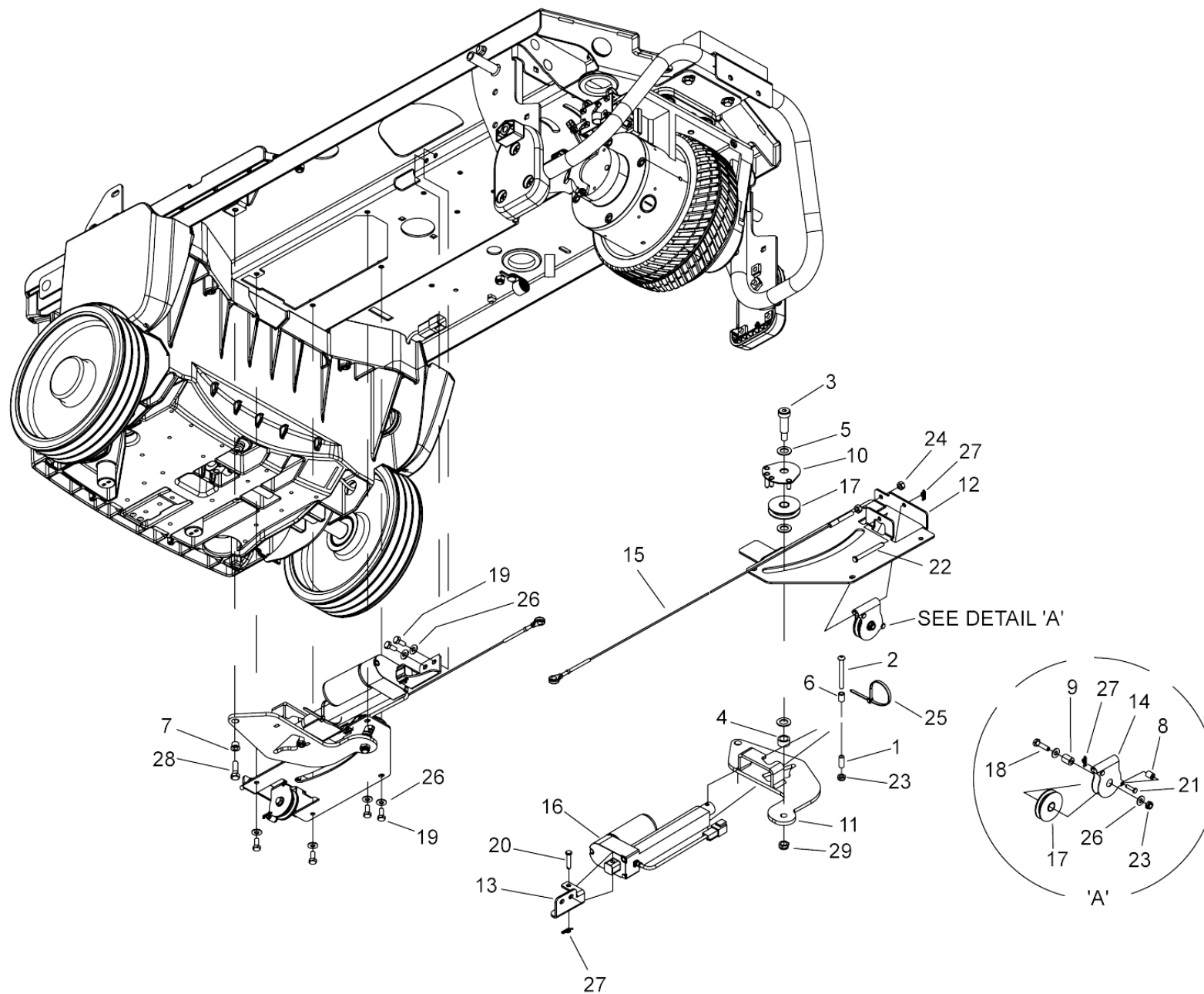
POS	Article no.	Description	Quantity	Unit
1	8.628-091.0	HOSE, 1/2ID WIRE BOUND X 23"	1	PC
2	8.636-610.0	VALVE, 36V SOL, 1/2 BARB	1	PC
3	8.636-397.0	HOSE, 1/2ID WIREBOUND X 8.25"	1	PC
4	8.636-298.0	ELBOW, 1/4FPT X 1/2BARB 90 DEG NYL	1	PC
5	8.636-297.0	TEE, 1/4 MPT X 3/8 BARBS, NYL	1	PC
6	8.626-494.0	Cable tie 11.38" UL/CSA	1	PC
7	8.628-133.0	HOSE, 3/8ID WIRE BOUND X 4"	2	PC
8	8.627-183.0	NUT, 3/8-16 LK NYL BLK	2	PC
9	8.626-494.0	Cable tie 11.38" UL/CSA	1	PC
10	8.623-315.0	CLAMP, 3/8 HOSE (D-SLOT)	2	PC
11	8.619-794.0	HOSEBARB, 3/8MPTX1/2 90D DL	1	PC
12	8.600-652.0	SCREW, 8-32 X .375 PHPNHMS SS	2	PC
13	8.600-155.0	Hose connection	2	PC

190 Squeegee - Disk

POS	Article no.	Description	Quantity	Unit	Remark
-	8.637-220.0	SQUEEGEE ASM, CS26	1	PC	COMPLETE
1	8.636-780.0	SCREW, 1/4-20 X 2.75 CARR SS	1	PC	
2	8.636-409.0	SCREW, 5/16-18 X 2.5 CARR SS	4	PC	
3	8.636-408.0	SCREW, 1/4-20 X 2 CARR SS	2	PC	
4	8.636-310.0	SPRING, 2.5" X .66 OD COMP	1	PC	
5	8.636-307.0	PLATE, SLIDE, SQUEEGEE BASE	1	PC	
6	8.601-077.0	WASHER, 7/16 X1 X .08 FLT SS	4	PC	
7	8.636-242.0	ROD, 1/4" OD 9.13 LG, SS	1	PC	
8	8.636-240.0	HANDLE, 1/4-20 X 1" LG STUD	1	PC	
9	8.636-239.0	CASTER, SWIVEL, 2" WHEEL	1	PC	
10	8.636-031.0	NUT, 1/4-20 FLG NYLOCK SS	1	PC	
11	8.635-983.0	SCREW, 1/4-20 X 1.75 RDHCARR SS	2	PC	
12	8.635-963.0	PLATE, BASE, SQUEEGEE	1	PC	
13	8.635-962.0	PLATE, SQUEEGEE, BOTTOM, HLDR	1	PC	
14	8.635-961.0	PLATE, SQUEEGEE, BOTTOM	1	PC	
15	8.635-960.0	PLATE, SQUEEGEE, TOP	1	PC	
16	8.635-959.0	WHEEL, 2.0 OD X .31 ID X .875 GRY	2	PC	
17	8.635-958.0	BLADE, SQUEEGEE, FRONT	1	PC	
17	8.639-156.0	BLADE, SQG, FRONT, 36 X URE	1	PC	OPTIONAL
18	8.635-957.0	BLADE, SQUEEGEE, REAR	1	PC	
18	8.639-157.0	BLADE, SQG, REAR, 40 X URE	1	PC	OPTIONAL
19	8.641-208.0	SQUEEGEE FRAME, RH	1	PC	
19	8.641-210.0	KIT, SQUEEGEE FRAME, RH	1	PC	
20	8.641-207.0	SQUEEGEE FRAME, LH	1	PC	
20	8.641-209.0	KIT, SQUEEGEE FRAME, LH	1	PC	
21	8.635-859.0	TUBE, PASS THROUGH, SQUEEGEE	1	PC	
22	8.629-250.0	WASHER, 5/16 X .562 X .063 SS	4	PC	
23	8.627-891.0	WASHER, 3/8 SS	2	PC	
24	8.627-671.0	SCREW, 5/16-18 X 2 CARR SS	2	PC	
25	8.627-187.0	NUT, 1/4-20 HEXTHIN NYLOCK SS	4	PC	
26	8.627-184.0	NUT, 5/16-18 HEXTHIN NYLOCK SS	2	PC	
27	8.627-124.0	NUT, 1/4 PAL STL ZNPLT	2	PC	
28	8.627-093.0	NUT, 1/4-20 HEXTHIN SS	1	PC	

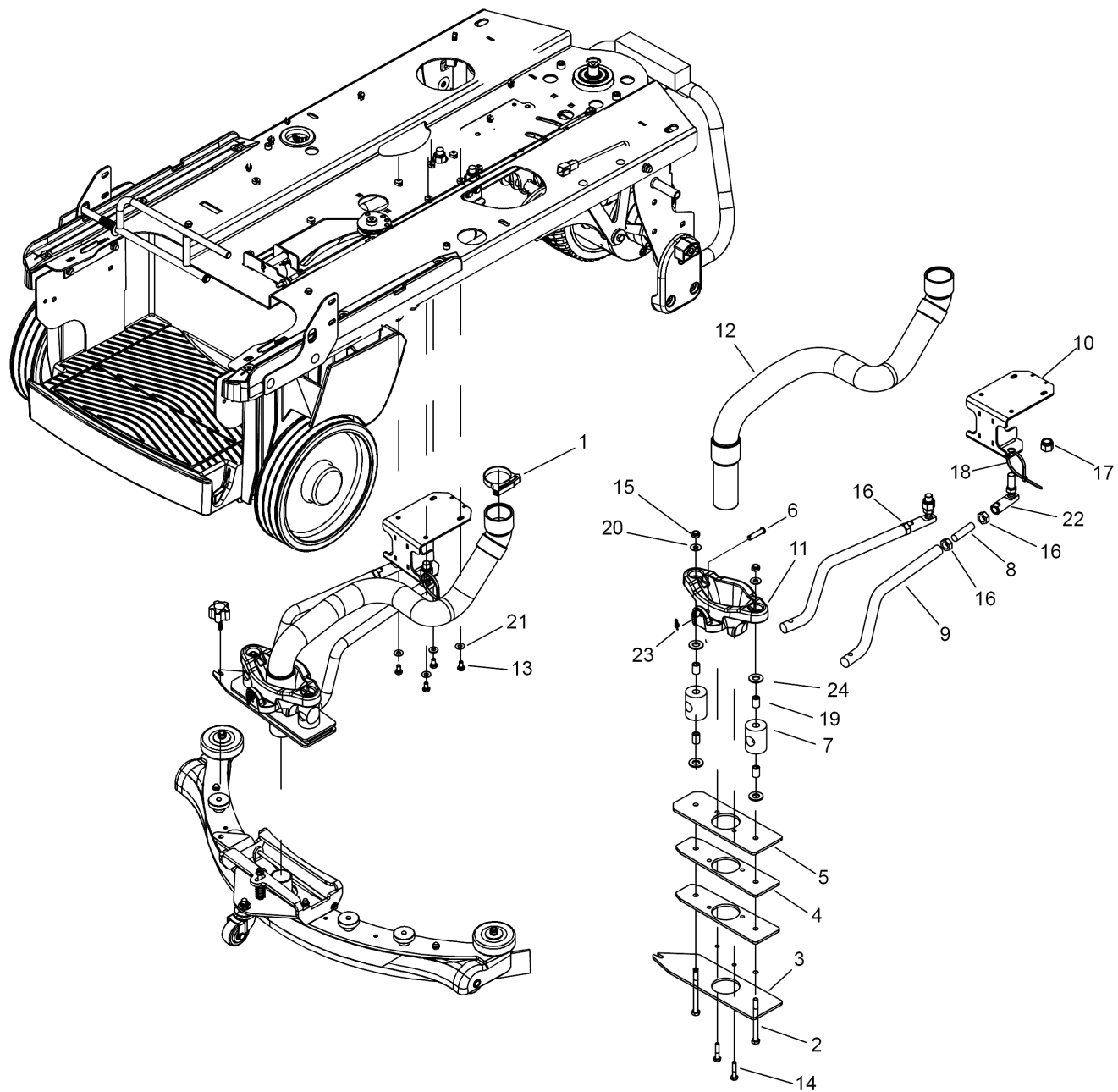
190 Squeegee - Disk

POS	Article no.	Description	Quantity	Unit	Remark
29	8.627-083.0	NUT, 5/16-18 HEX NYLOCK SS	4	PC	
30	8.621-969.0	Turning knob	4	PC	
31	8.601-102.0	Wheel 3" DIA CUSHION RUBBER	2	PC	
32	8.622-637.0	BUSHING, .252 X .375 X .375 FLG BRZ	1	PC	
33	8.600-866.0	Cotter 5/16" RING	2	PC	
34	8.600-565.0	NUT, 5/16-18 HEX STL ZNPLT	2	PC	
35	8.600-563.0	NUT, 3/8-16 HEXTHIN NYLOCK SS	1	PC	
36	8.600-135.0	BUSHING, SPANNER .435 X 1.10	2	PC	
37	8.600-627.0	PIN, CLEVIS 5/16 X 1.625 STL ZNPLT	2	PC	
38	8.640-966.0	BUSHING, .316 X .502 X .210 FLG NYL	4	PC	
39	8.601-067.0	WASHER, 5/16 FLT SS	2	PC	



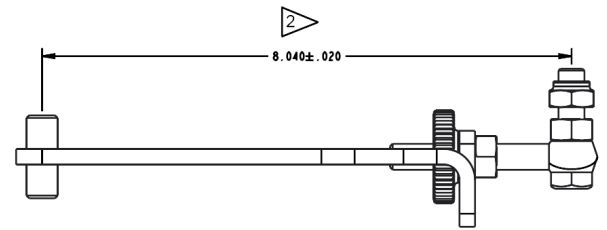
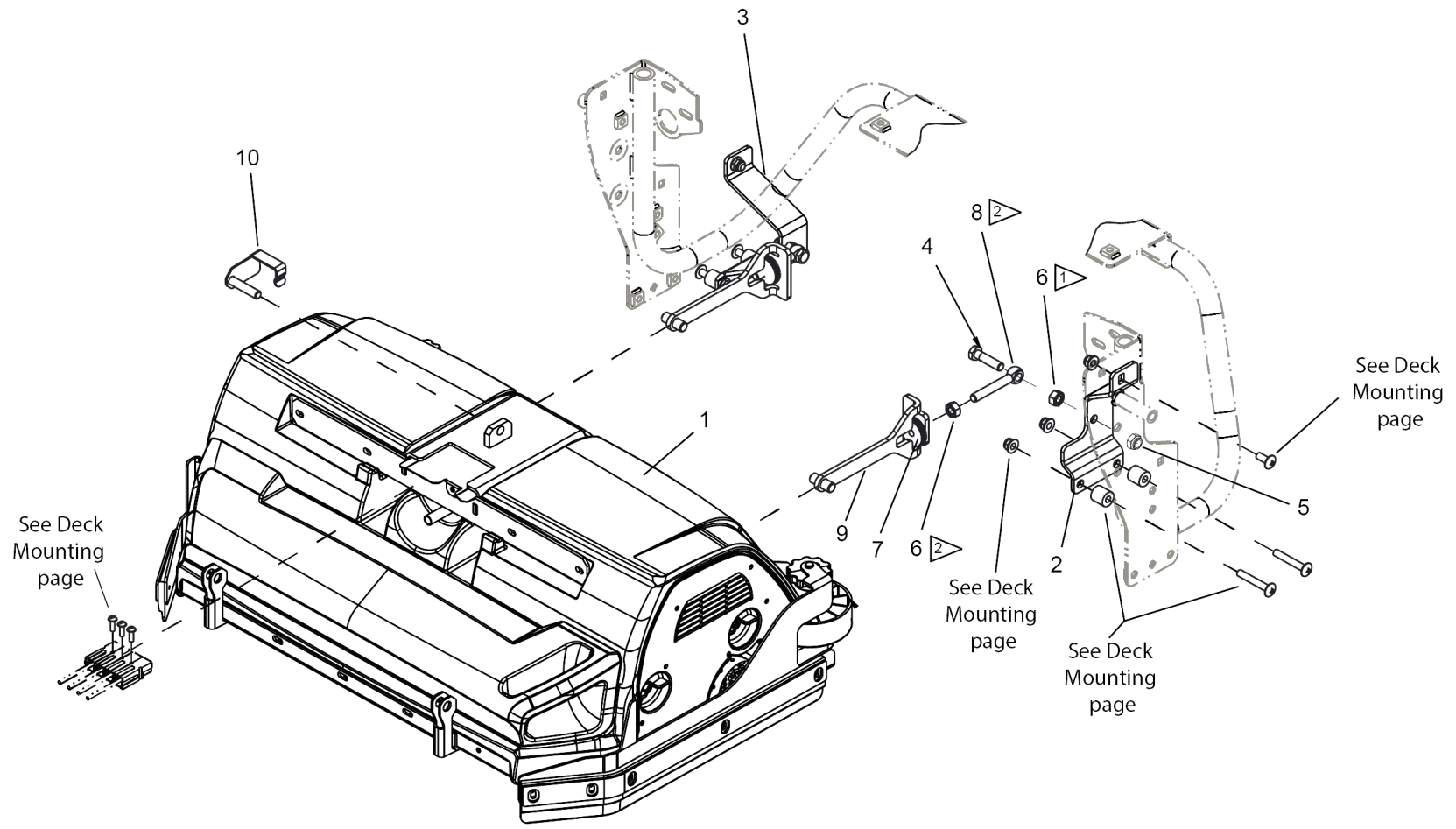
200 Squeegee Lift

POS	Article no.	Description	Quantity	Unit
1	8.636-404.0	BUSH, PLN, .251 X .313 X .75L	1	PC
2	8.636-403.0	SCREW, 1/4-20 X 2.25 HEXCS	1	PC
3	8.636-402.0	SHOULDER BOLT 5/16 X .75L	1	PC
4	8.636-282.0	BUSH, PLN, .510 X .750 X .375L	1	PC
5	8.636-231.0	WASHER, .51 X .89 X .06 PLSTC	3	PC
6	8.636-230.0	BUSH, PLN, .251 X .375 X .50L	1	PC
7	8.636-229.0	BUSH, FL, .313 X .438 X .375L	1	PC
8	8.636-227.0	SPACER, .196 X .375 X .438L NYL	2	PC
9	8.636-226.0	BUSH, PL, .250 X .500 X .625L	1	PC
10	8.636-225.0	PLATE, PULLEY, LIFT, UPPER	1	PC
11	8.636-224.0	ASM, ARM, LIFT	1	PC
12	8.636-223.0	PLATE, ACTUATOR MOUNT	1	PC
13	8.636-222.0	BRKT, ACTUATOR, MOUNT	1	PC
14	8.636-221.0	U-BRACKET, PULLEY	1	PC
15	8.635-447.0	CABLE, .09 X 27.13, 0707, SS	1	PC
15	8.637-044.0	CABLE, .09 X 30.00, 0707, SS	1	PC
16	8.632-088.3	ACT, 36VDC, 3.0" STK, 8.74 LNG	1	PC
17	8.631-733.0	PULLEY, 2 IN.	2	PC
18	8.627-381.0	SCREW, 1/4-20 X 1 HHCS SS	1	PC
19	8.627-375.0	SCREW, 1/4-20 X .625 HHCS SS NP	6	PC
20	8.627-262.0	PIN, CLEVIS 1/4 X 1.125 STL ZNPLT	1	PC
21	8.627-247.0	PIN, CLEVIS 3/16 X .75 STL ZNPLT	2	PC
22	8.627-233.0	PIN, CLEVIS 1/4 X 2.44 STL ZNPLT	1	PC
23	8.627-187.0	NUT, 1/4-20 HEXTHIN NYLOCK SS	2	PC
24	8.627-087.0	NUT, 1/4-28 HEX SS	2	PC
25	8.626-492.0	CABLE TIE, 7" UL/CSA	1	PC
26	8.601-063.0	WASHER, 1/4 SS	9	PC
27	8.600-865.0	PIN, COTTER RING 1/4 X .041 X .844	4	PC
28	8.627-576.0	Screw 5/16-18 X 1 HHCS GR8 PLTD	1	PC
29	8.600-563.0	NUT, 3/8-16 HEXTHIN NYLOCK SS	1	PC



210 Squeegee Swing - Disk

POS	Article no.	Description	Quantity	Unit
1	8.636-553.0	CLAMP, RACHET, 2.13D	1	PC
2	8.636-411.0	SCREW, 5/16-18 X 3.5 HHCS SS	2	PC
3	8.636-308.0	PLATE, SLIDE, SQUEEGEE	1	PC
4	8.636-306.0	PLATE, SLIDE, MID	2	PC
5	8.636-305.0	PLATE, SLIDE, SQUEEGEE	1	PC
6	8.636-269.0	PIN, CLEVIS 1/4 X 1.5 STL ZNPLT	1	PC
7	8.636-237.0	ROD, SQUEEGEE, DIA 1.50"	2	PC
8	8.636-236.0	ALL-THREAD, 1/2-20 STL ZNPLT	2	PC
9	8.636-235.0	ROD, SQUEEGEE PIVOT	2	PC
10	8.636-173.0	BRKT, ASM, ACTUATOR	1	PC
11	8.635-822.0	BASE, LIFT, SQUEEGEE	1	PC
12	8.635-430.0	SUCTION HOSE, 1.50"	1	PC
13	8.627-383.0	SCREW, 1/4-20 X .5 HHCS SS NP	4	PC
14	8.627-382.0	SCREW, 1/4-20 X 1.25 HHMS SS	2	PC
15	8.627-184.0	NUT, 5/16-18 HEXTHIN NYLOCK SS	2	PC
16	8.627-156.0	NUT, 1/2-20 HEXTHIN STL GRA ZNPLT	4	PC
17	8.627-143.0	NUT, 1/2-20 HEX NYLOCK SS	2	PC
18	8.626-494.0	Cable tie 11.38" UL/CSA	1	PC
19	8.636-880.0	BUSHING,.313X.503X.703, PLAIN,BRZ	4	PC
20	8.601-067.0	WASHER, 5/16 FLT SS	2	PC
21	8.601-063.0	WASHER, 1/4 SS	4	PC
22	8.600-908.0	Ball joint ASM, 1/2-20	2	PC
23	8.600-865.0	PIN, COTTER RING 1/4 X .041 X .844	1	PC
24	8.625-942.0	WASHER, .510 X 1 THR	4	PC



TIE ROD NUT LOCATION

- 2 SET DISTANCE PRIOR TO ASSEMBLING TIE ROD
- 1 INSTALL NUT HAND TIGHT TO EYE-BOLT, THEN BACK OF 1/4 TURN WHEN INSTALLING TO FRAME

220 Scrub Deck - Cylindrical

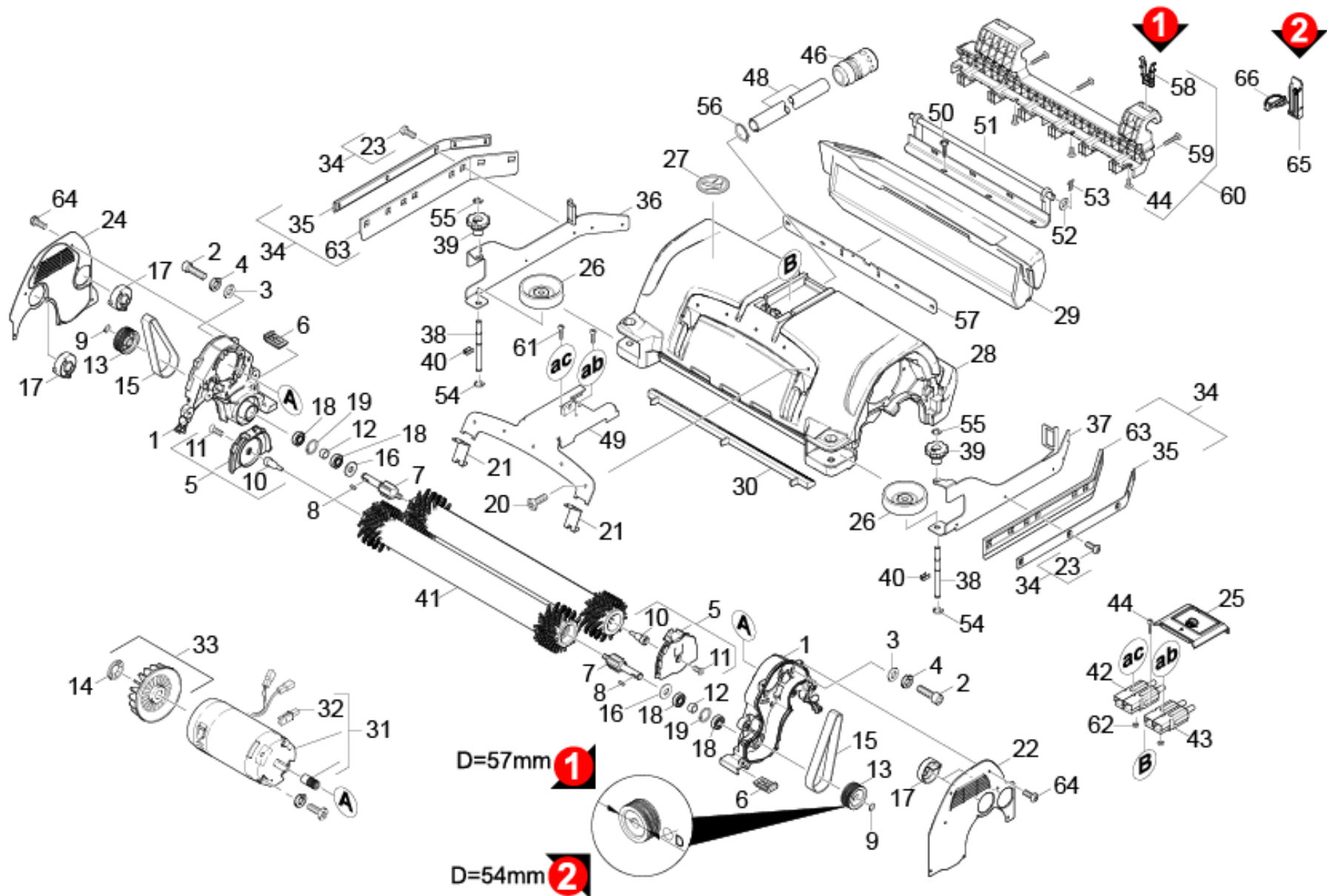
POS	Article no.	Description	Quantity	Unit	Remark
1	2.763-004.0	Brush-head R 65 S	1	PC	
2	8.637-023.0	BRKT, DECK MOUNT, RH	1	PC	
3	8.637-022.0	BRKT, DECK MOUNT, LH	1	PC	
4	8.627-655.0	SCREW, M10 X 40 HHCS STL ZNPLT	2	PC	
5	8.613-636.0	NUT, M10X1.5 HEX NYLOCK STL ZNPLT	2	PC	
6	7.311-006.0	Hexagon nut M10 -8-A3E ISO 4032	4	PC	
7	7.310-041.0	Knurled nut M10- St-E2E DIN 467	2	PC	
8	6.401-475.0	Eye screw LB-5.6 M10x70	2	PC	
9	4.481-295.0	Tie rod	2	PC	
10	4.481-244.0	Locking part	1	PC	
11	8.639-486.0	ADD-ON KIT, TENSION ROD	1	PC	Add On KIT

1 Brush-head R 65 S (2.763-004.0)

POS	Description	Quantity	Unit
10	Brush-head R 65 S	1	PC

10 Brush-head R 65 S

POS	Description	Quantity	Unit
10	Power brush R 65 S	1	PC
20	Roll pad BR	1	PC



10 Power brush R 65 S

POS	Article no.	Description	Quantity	Unit	Remark	Foot note text
1	2.882-726.0	Conversion kit retainer plate transmissi	2	PC	5.625-483.0	VERSION 1
1	5.044-866.0	Retainer plate transmission	2	PC	5.625-494.0	VERSION 2
2	7.306-031.0	Cylinder head screw M 6x16 A2-70 DIN 7984	10	PC		
3	7.312-026.0	Washer 6 -A2 ISO 7089	10	PC		
	Item text1: successor of 6.614-022.0					
4	7.313-003.0	Spring washer B6-FSt-A3E DIN 127	10	PC		
5	2.763-032.0	Set holder-up replacement	2	PC		
6	5.056-010.0	Rocker BR-VS	2	PC		
7	5.100-611.3	Driveshaft BR	2	PC		
8	7.318-002.0	Parallel key A 5x5x16-C45K DIN 6885-1	2	PC		
9	7.343-015.0	Locking ring 15x1-FST-RF DIN 471	2	PC		
10	5.116-340.0	Bolt holder-up	2	PC		
11	7.305-627.0	Countersunk screw M8x25 -A2-70 ISO 10642	2	PC		
12	5.116-354.0	Bush transmission BR	2	PC		VERSION 1
12	5.116-413.0	Sleeve	2	PC		VERSION 2
13	5.625-483.0	Belt pulley 57mm	2	PC	D = 57mm	VERSION 1
13	5.625-494.3	Belt pulley 54mm	2	PC	D = 54mm	VERSION 2
14	6.343-149.0	Quick-fastener	2	PC		
15	6.348-442.0	Ribbed v-belt	2	PC	432mm	VERSION 1
15	6.348-456.0	Ribbed v-belt	2	PC	425mm	VERSION 2
16	6.363-158.0	Joint ring Nilosring	2	PC		
17	5.033-665.0	Locking part	4	PC		
18	4.401-198.0	Ball bearing 6202-2RS -Wälzl.St DIN 625	4	PC		VERSION 2
18	7.401-115.0	Ball bearing 6002-2RS -WÄELZLAGST DIN 62	4	PC		VERSION 1
19	7.343-017.0	Locking ring 35x1,5-FST-PHR DIN 472	2	PC		VERSION 2
19	7.343-231.0	Locking ring 32x1,2 -St-ph DIN 472	2	PC		VERSION 1
20	7.303-047.0	Screw M6x16 -St-R3R (In6Rd)	5	PC		
21	5.033-664.0	Locking part tension rod	2	PC		
22	5.033-241.0	Covering cap left	1	PC		

10 Power brush R 65 S

POS	Article no.	Description	Quantity	Unit	Remark	Foot note text
23	6.303-192.0	Screw M5x12 TX TAPTITE2000	10	PC		
24	5.033-242.0	Covering cap right	1	PC		
25	5.033-403.0	Cover BR	1	PC		
26	5.515-267.0	Deflector roll	2	PC		
27	5.383-097.0	Label	1	PC		
28	5.061-580.0	Brush housing BR 65	1	PC		
29	5.075-040.0	Tank refuse BR 65	1	PC		
30	5.190-014.0	Strip water distributor	1	PC		
31	4.623-017.0	Motor complete only for replacement Heng	2	PC	24V//600W/ATAS Motor	VERSION 2
31	4.623-920.0	Motor complete nur fuer Ersatz	2	PC	24V//600W/ATAS Motor	VERSION 1
32	6.610-026.0	Carbon brush set	1	PC	/Hengye Motor	
32	6.610-239.0	Carbon brush set ATAS	1	PC	/ATAS	
33	6.610-027.0	Blower wheel only for replacement Hengye	2	PC	/Hengye Motor	
33	6.613-025.0	Blower wheel	2	PC	/ATAS	
34	4.071-003.0	Set splash guard reinforced	2	PC		reinforced
34	4.071-228.0	Set splash guard onesided	2	PC		STANDARD
35	4.007-009.0	Retainer strip rubber lip stainless stee	2	PC		reinforced
35	5.044-867.0	Retainer strip splash guard	2	PC		STANDARD
36	5.009-401.0	Retaining plate right scraper lip	1	PC		
37	5.009-402.0	Retaining plate left scraper lip	1	PC		
38	5.116-339.0	Threaded bolt	2	PC		
39	5.033-666.0	Adjustment wheel	2	PC		
40	6.330-407.0	Spring clip	2	PC		
41	4.035-187.0	Roller brush red for replacement BR65	2	PC		
	Item text1: successor of 6.907-414.0					
41	6.906-981.0	Roller brush white - BR 65	2	PC		
41	6.906-982.0	Roller brush orange - BR 65	2	PC		
41	6.906-983.0	Roller brush green - BR 65	2	PC		
41	6.906-984.0	Roller brush black - BR 65	2	PC		
41	6.907-414.0	Roller brush red BR65	2	PC		
42	6.646-034.0	Set plug complete rot, 75A , Q-6mm²	2	PC		
43	6.646-033.0	Set plug complete blau , 75A ,	2	PC		

10 Power brush R 65 S

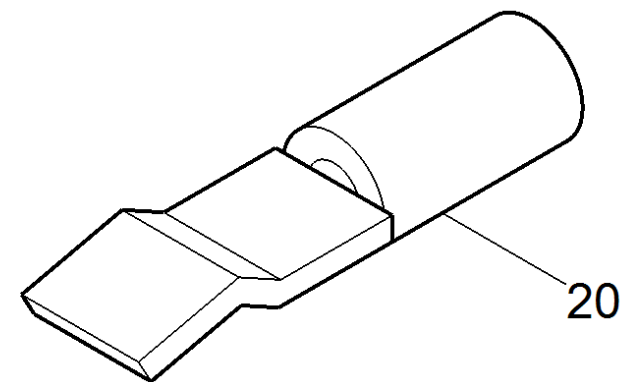
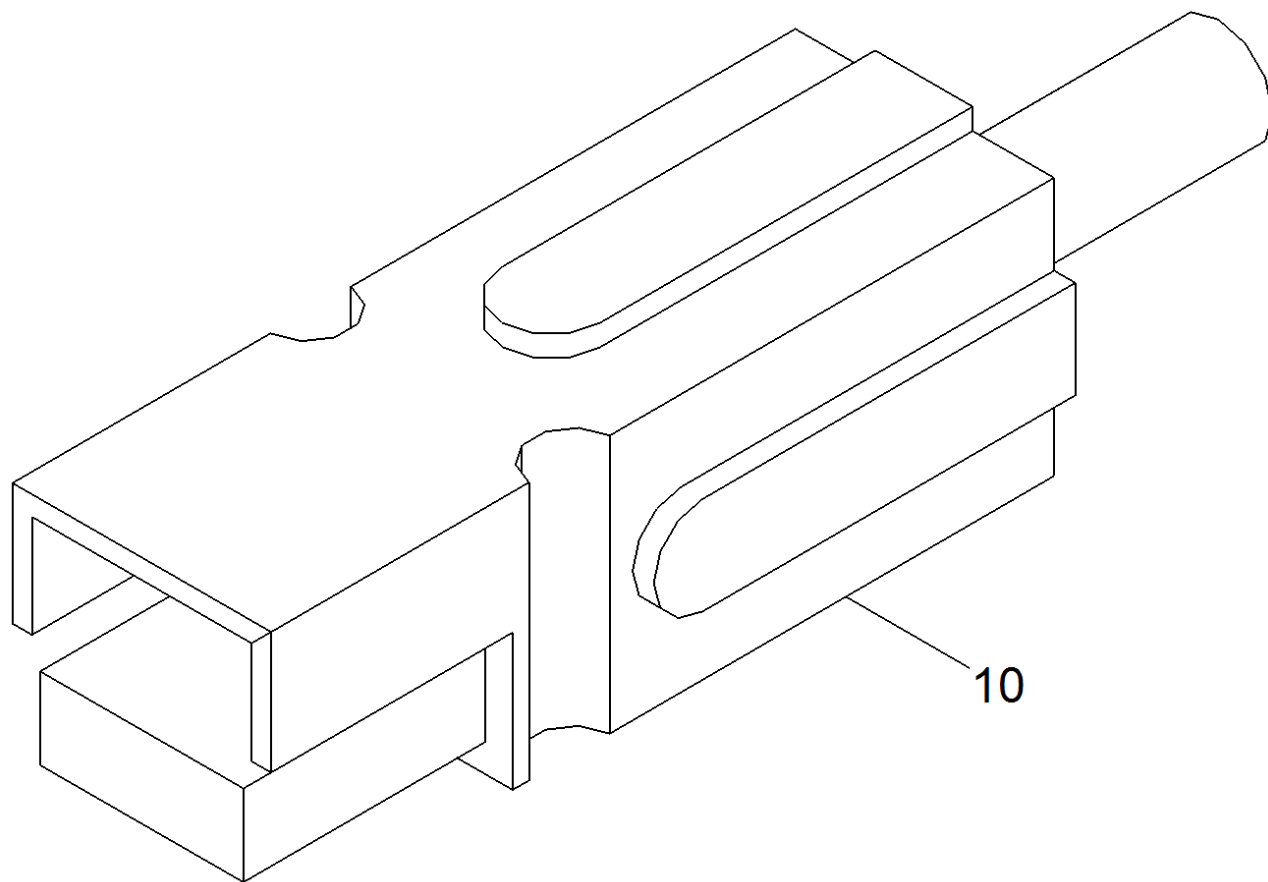
POS	Article no.	Description	Quantity	Unit	Remark	Foot note text
		Q-6mm²				
44	7.303-107.0	Screw 5x16 -10.9-P2R (K-In6Rd)	3	PC		
46	2.645-191.0	Hose coupling entry Universal	1	PC		
48	6.390-892.0	Spiral hose NW12	1	m		TO ORDER AS CUT GOODS
49	4.040-194.0	Holder power brush replacement	1	PC		
50	7.303-112.0	Screw 6x20 -10.9-R2R (In6Rd)	6	PC		
51	4.481-261.0	Holder pivot point complete BR	1	PC		
52	7.312-008.0	Washer 12-200HV-A2K ISO 7089	2	PC		
53	6.313-022.0	Spring clip	2	PC		
54	7.343-047.0	Lock washer 10-FST-A2E DIN 6799	2	PC		
55	7.343-302.0	Lock washer 8 -St-ph DIN 6799	2	PC		
56	6.388-545.0	Hose clip	1	PC		
57	5.010-121.0	Plate suspension	1	PC		
58	5.035-424.0	Snap-fit	2	PC		
59	7.303-110.0	Screw 5x35 -10.9-R2R (In6Rd)	5	PC		
60	4.035-472.0	Adapter set BR	1	PC		
61	7.306-184.0	Screw M5x30 -A2-70 ISO 14583	2	PC		
62	7.311-065.0	Hexagon nut M 5-A2-70 ISO 4032	2	PC		
63	5.394-911.0	Splash guard reinforced	2	PC		reinforced
63	5.396-419.0	Splash guard	2	PC		
64	6.303-029.0	Screw EJOT ALtracs Plus 50x10 A2	17	PC		
65	5.013-468.0	Safety split pin power brush fixing	2	PC		reinforced
66	7.316-471.0	Linch pin 5x32-St-A2K DIN 11023	2	PC		

34 Set splash guard reinforced (4.071-003.0)

POS	Article no.	Description	Quantity	Unit	Foot note text
1	5.394-911.0	Splash guard reinforced	1	PC	
2	4.007-009.0	Retainer strip rubber lip stainless stee	1	PC	
3	6.306-003.0	Screw M5X12-A2/70-ISO 14583 (IN6RD)	5	PC	with microencapsulation

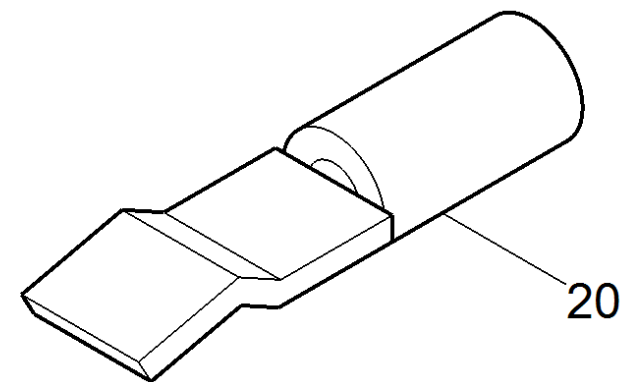
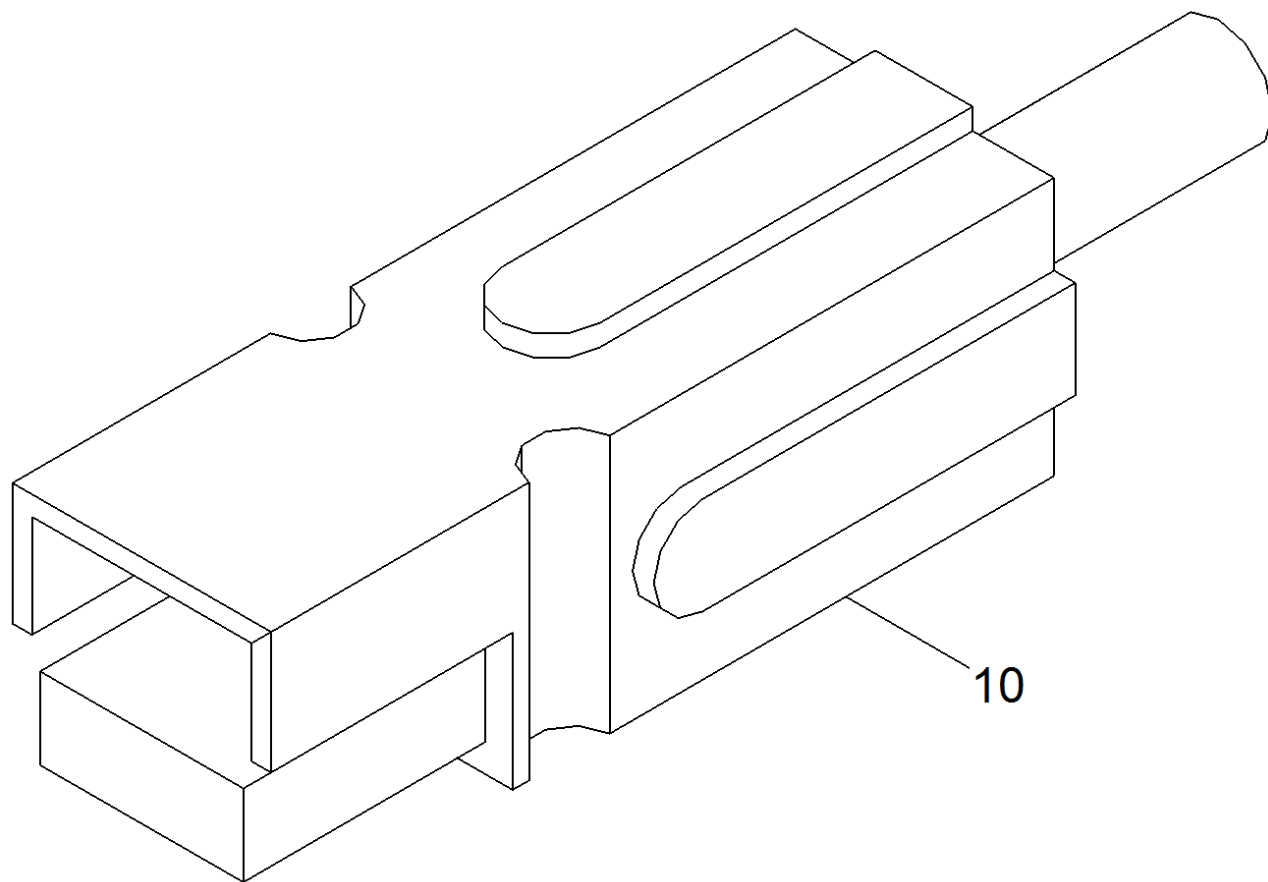
34 Set splash guard onesided (4.071-228.0)

POS	Article no.	Description	Quantity	Unit
1	5.396-419.0	Splash guard	1	PC
2	5.044-867.0	Retainer strip splash guard	1	PC
3	7.303-037.0	Screw M5x10 -St-P2R (In6Rd)	5	PC



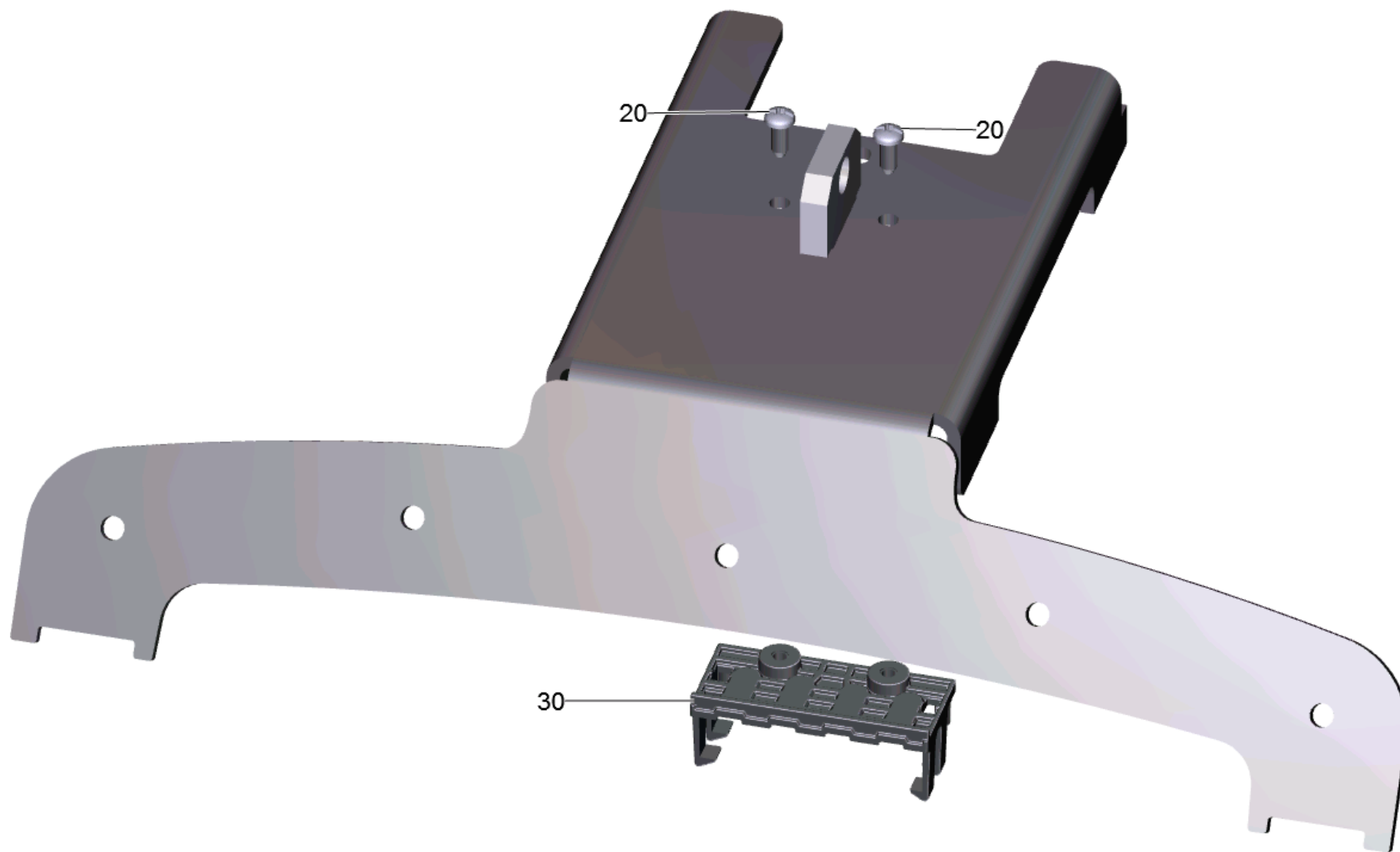
42 Set plug complete rot, 75A , Q-6mm² (6.646-034.0)

POS	Article no.	Description	Quantity	Unit
10	6.643-043.0	Plug housing red 75 A	1	PC
20	6.646-979.0	Switch contact 6 mm ²	1	PC



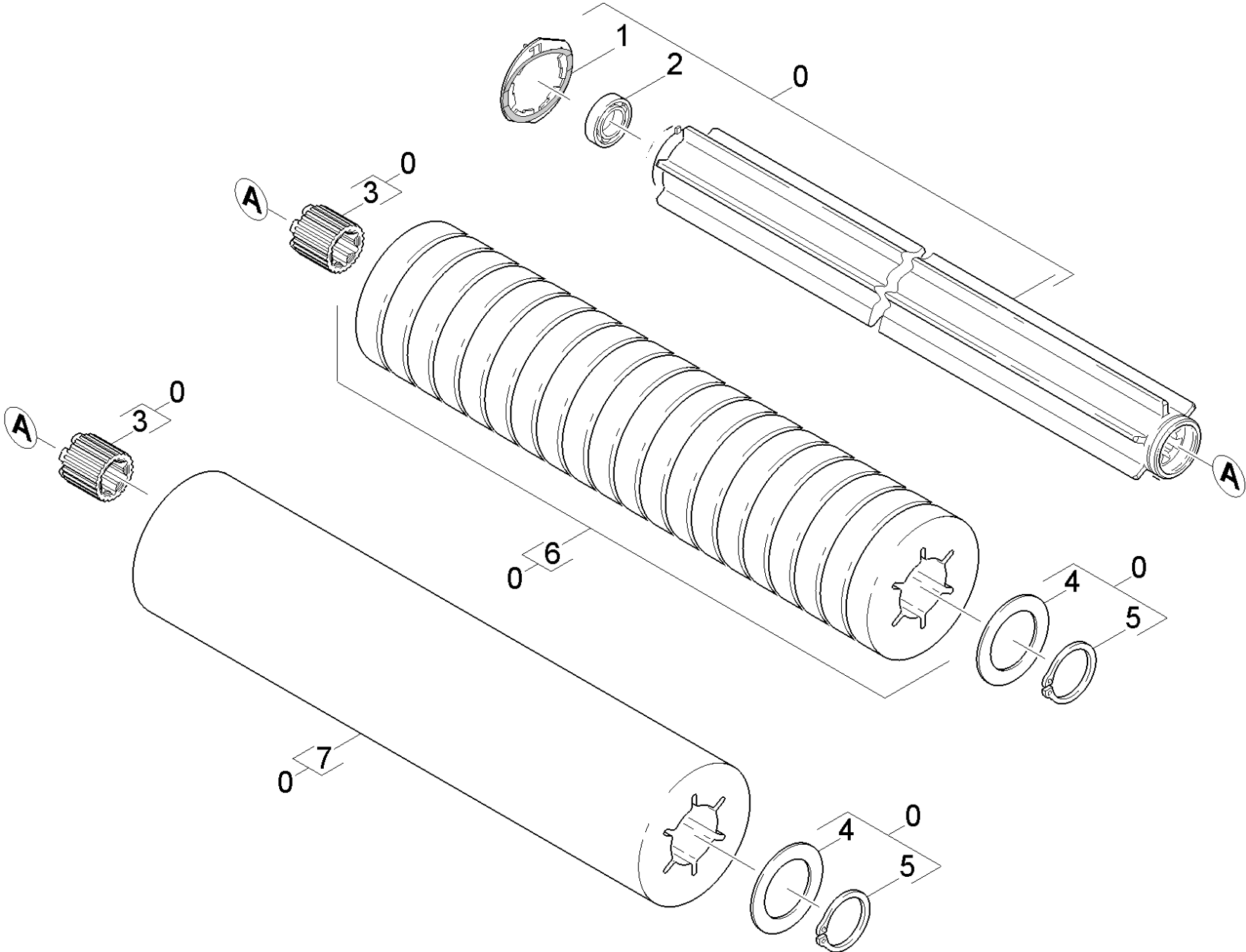
43 Set plug complete blau , 75A , Q-6mm² (6.646-033.0)

POS	Article no.	Description	Quantity	Unit
10	6.643-045.0	Plug housing blue 75 A	1	PC
20	6.646-979.0	Switch contact 6 mm ²	1	PC



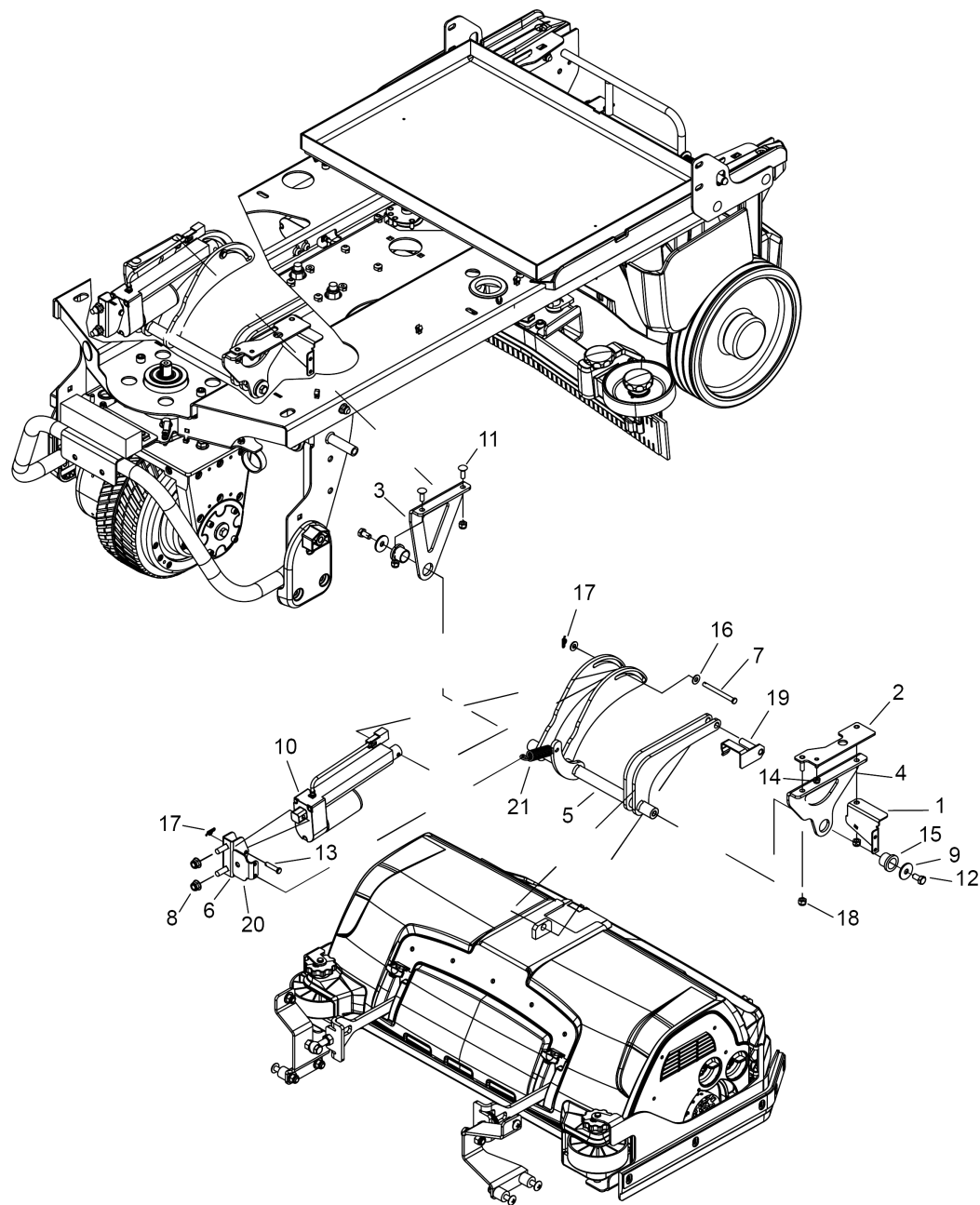
49 Holder power brush replacement (4.040-194.0)

POS	Article no.	Description	Quantity	Unit
20	7.303-274.0	Screw 5x12 -A2-70 (In6Rd)	2	PC
30	5.034-086.0	Holder plug power brush R	1	PC



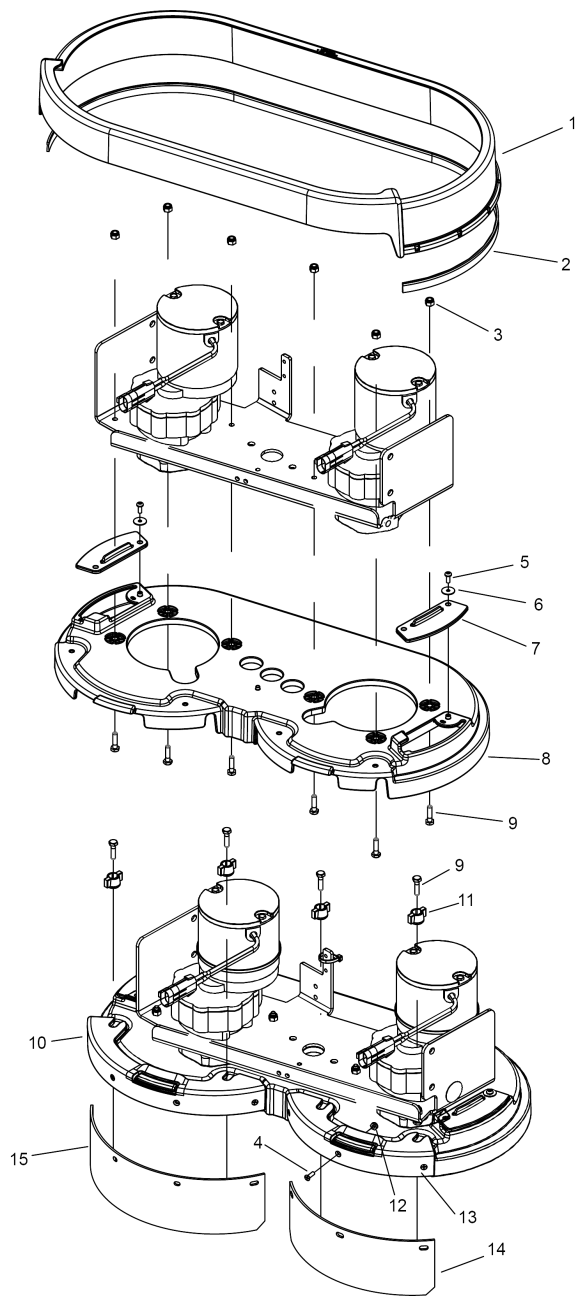
20 Roll pad BR

POS	Article no.	Description	Quantity	Unit
0	4.762-433.0	Roll pad BR 65	2	PC
1	4.115-004.0	Washer closure	1	PC
2	7.401-005.0	Ball bearing 6302-2RS DIN 625-1	1	PC
3	5.112-823.0	Bush Torx	2	PC
4	5.005-267.0	Ronde	1	PC
5	7.343-037.0	Locking ring 50x2-FST-RF DIN 471	1	PC
6	6.369-389.0	Pad white 105-20ST	2	ZSA
6	6.369-455.0	Pad green 105-20ST	2	ZSA
6	6.369-456.0	Pad red 105-20ST	2	ZSA
6	7.777-999.0	Stockpiling discontinued	1	PC
6	9.302-151.0	PAD GREEN DIAM.105mm (SET 25 PCS)	1	PC
7	4.114-006.0	Micro-fibre roll complete BR 65	1	PC



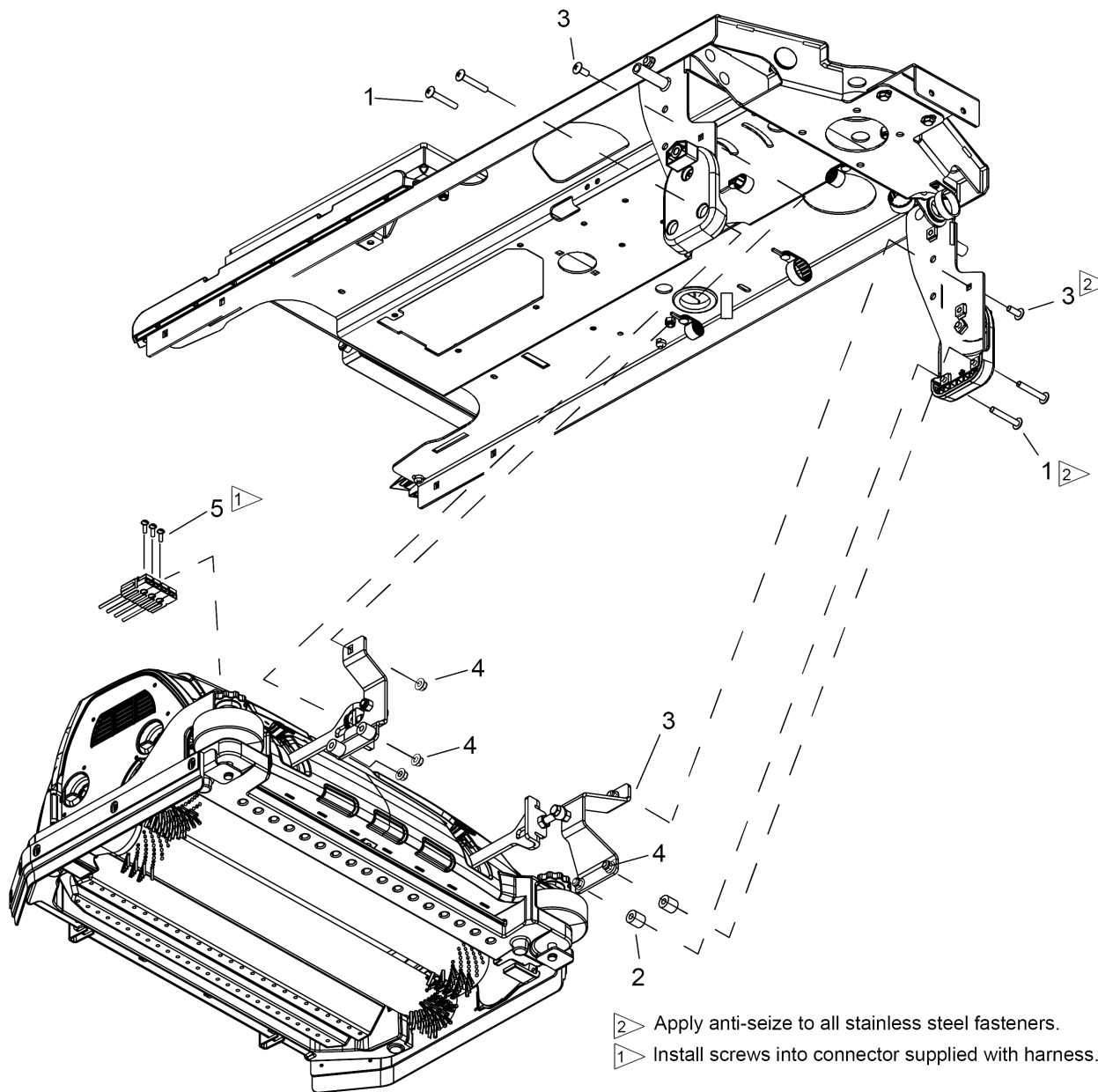
230 Scrub Deck Lift - Cylindrical

POS	Article no.	Description	Quantity	Unit
1	8.637-080.0	BRKT, SOLENOID CS26 SP	1	PC
2	8.637-072.0	PLATE, CYL DECK ATTCHMNT	1	PC
3	8.637-028.0	BRKT, LIFT MOUNT, RH	1	PC
4	8.637-027.0	BRKT, LIFT MOUNT, LH	1	PC
5	8.637-026.0	ASM, DECK LIFT, A.10	1	PC
6	8.637-025.0	BRKT, ACTUATOR MOUNT	1	PC
7	8.637-024.0	PIN, CLEVIS 1/4 X 2.75 STL ZNPLT	1	PC
8	8.636-824.0	NUT, 5/16-18, FLG NYLOCK SS	2	PC
9	8.636-725.0	WASHER, .344 X 1.13 X .09 SS	2	PC
10	8.632-088.3	ACT, 36VDC, 3.0" STK, 8.74 LNG	1	PC
11	8.627-695.0	SCREW, 1/4-20 X .75 CARR SS	2	PC
12	8.627-649.0	SCREW, 5/16-18 X .625 HHCS SS	2	PC
13	8.627-262.0	PIN, CLEVIS 1/4 X 1.125 STL ZNPLT	1	PC
14	8.627-099.0	NUT, 10-32 HEX NYLOCK SS	1	PC
15	8.622-879.0	BUSHING, .753 X .875 X .75 FLG	2	PC
16	8.601-063.0	WASHER, 1/4 SS	2	PC
17	8.600-865.0	PIN, COTTER RING 1/4 X .041 X .844	2	PC
18	8.636-031.0	NUT, 1/4-20 FLG NYLOCK SS	4	PC
19	4.481-244.0	Locking part	1	PC
20	8.637-319.0	BRKT, SPRING HANGER	1	PC
21	8.622-683.0	Spring EXT .68D X3.00L X.098W	1	PC



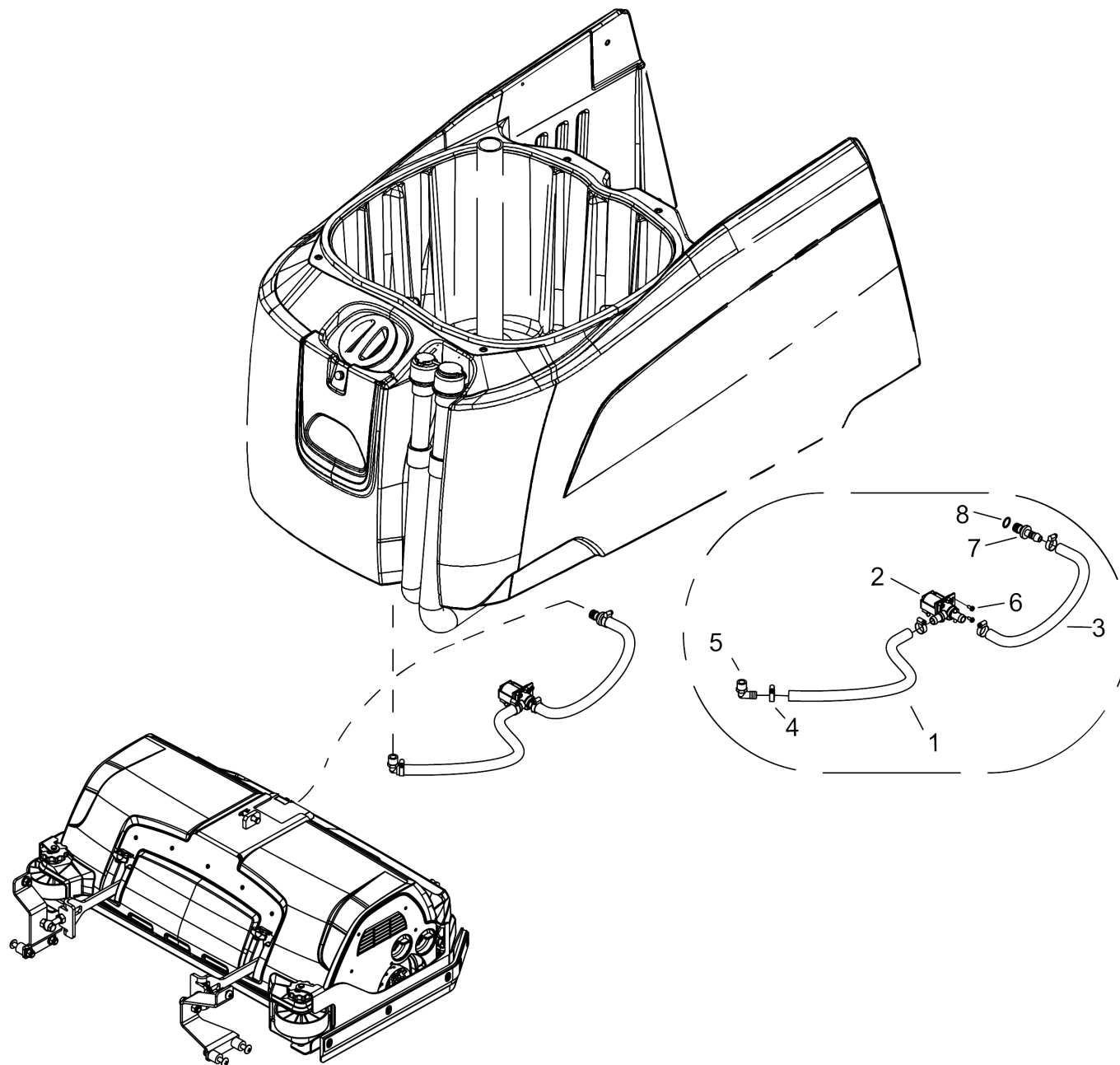
240 Scrub Deck Skirts

POS	Article no.	Description	Quantity	Unit
1	8.635-858.0	SKIRT, SCRUB DECK, 26" IN	1	PC
2	8.636-159.0	FLEX STRIP BRUSH, 26" SKIRT	1	PC
3	8.627-187.0	NUT, 1/4-20 HEXTHIN NYLOCK SS	6	PC
4	8.636-488.0	SCREW, 10-32 X 0.625 PHCSKH SS	7	PC
5	8.600-687.0	SCREW, 10 X .5 PHPNHSMS TYPEB BLK	2	PC
6	8.633-545.0	WASHER, 10 X .75 X .04 FNDR NYL BLK	2	PC
7	8.635-857.0	ACCESS COVER, DECK	2	PC
8	8.635-856.0	DECK, SCRUB, 26" IN	1	PC
9	8.627-381.0	SCREW, 1/4-20 X 1 HHCS SS	10	PC
10	8.635-862.0	MOUNT, AQUAMIZER, DECK, LH	1	PC
11	8.624-213.0	KNOB, HEX PRESS-LOC WING	4	PC
12	8.627-099.0	NUT, 10-32 HEX NYLOCK SS	7	PC
13	8.635-863.0	MOUNT, AQUAMIZER, DECK, RH	1	PC
14	8.636-167.0	BLADE, AQUAMIZER, RH	1	PC
15	8.636-168.0	BLADE, AQUAMIZER, LH	1	PC



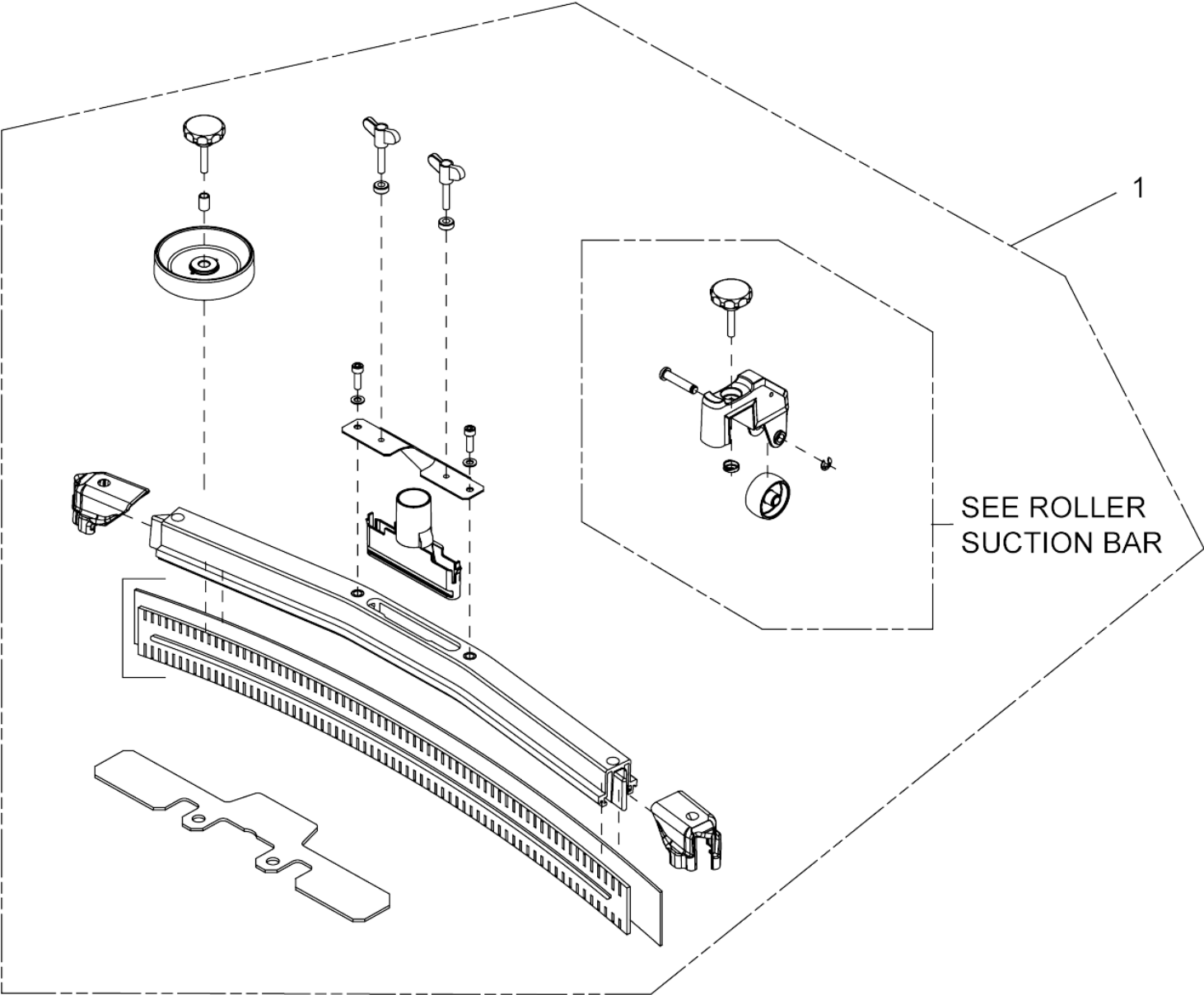
250 Scrub Deck Mounting - Cylindrical

POS	Article no.	Description	Quantity	Unit
1	8.637-083.0	SCREW, 5/16-18 X 2 PHPNHMS SS	4	PC
2	8.637-012.0	SPACER, .319DX.75DX.75L,AL	4	PC
3	8.627-689.0	SCREW, 5/16-18 X .75 PHTRHMS SS	2	PC
4	8.636-824.0	NUT, 5/16-18, FLG NYLOCK SS	6	PC
5	7.303-107.0	Screw 5x16 -10.9-P2R (K-In6Rd)	3	PC



270 Solution System - Cylindrical

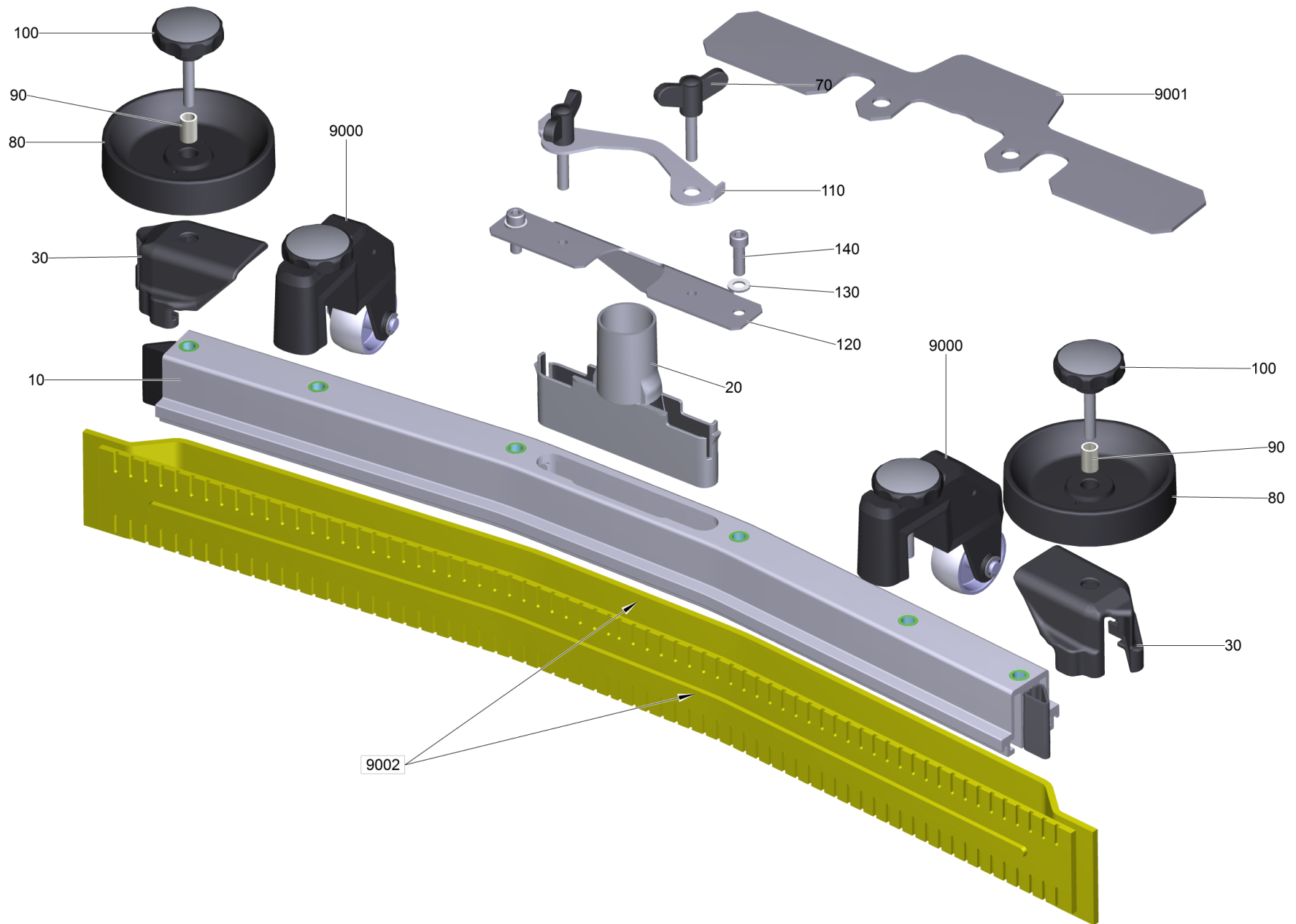
POS	Article no.	Description	Quantity	Unit
1	8.636-831.0	HOSE, 1/2ID WIREBOUND X 17.25"	1	PC
2	8.636-610.0	VALVE, 36V SOL, 1/2 BARB	1	PC
3	8.630-277.0	Hose 1/2 x 14"	1	PC
4	8.623-315.0	CLAMP, 3/8 HOSE (D-SLOT)	4	PC
5	8.619-794.0	HOSEBARB, 3/8MPTX1/2 90D DL	1	PC
6	8.600-652.0	SCREW, 8-32 X .375 PHPNHMS SS	2	PC
7	5.443-375.0	Hose stem	1	PC
8	6.362-170.0	O-Ring seal 11,3 X 2,4-NBR 70	1	PC



280 Squeegee - Cylindrical

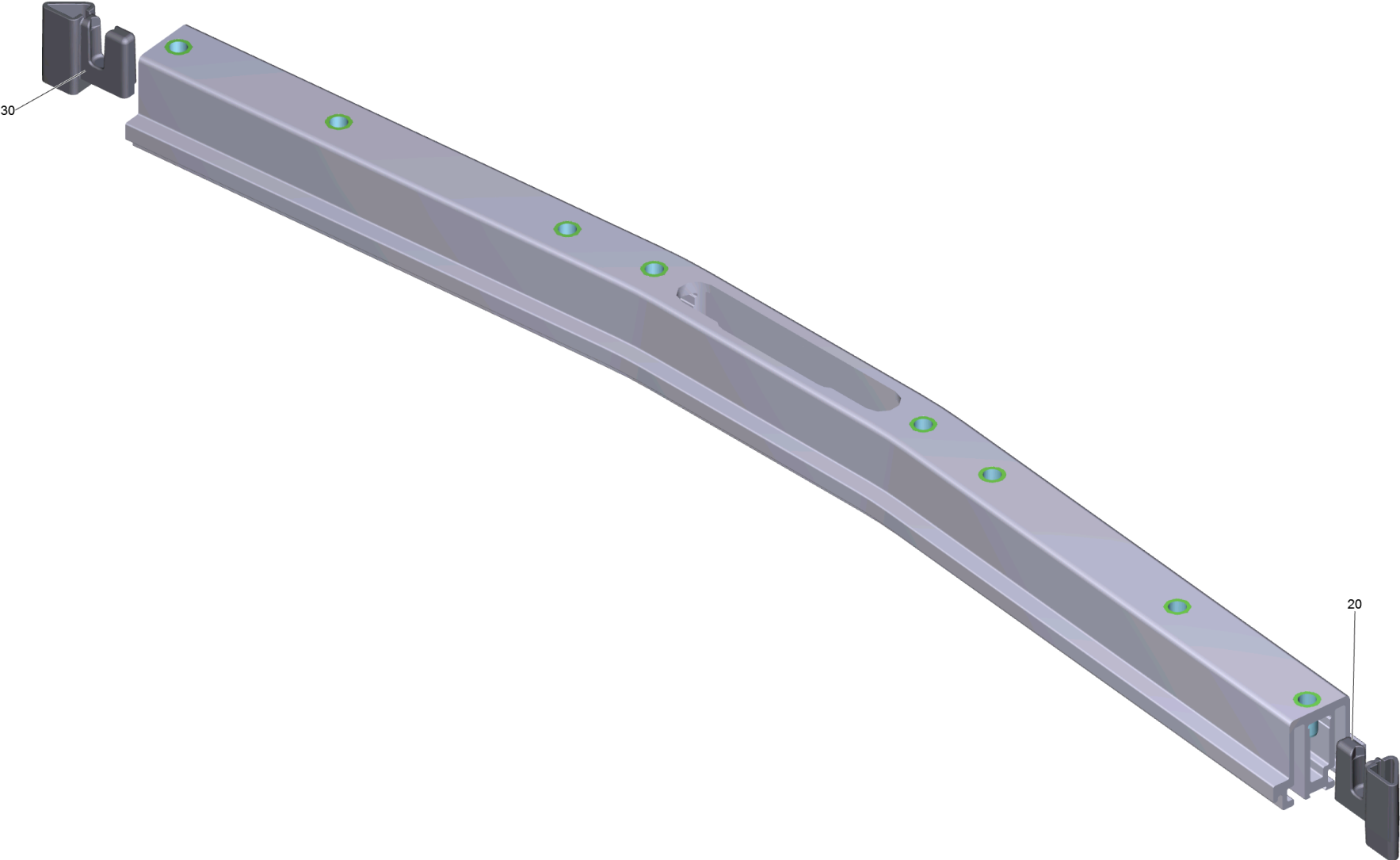
POS	Article no.	Description	Quantity	Unit	Remark
1	4.777-100.0	Suction bar curved 850mm - B95RS	1	PC	COMPLETE

1 Suction bar curved 850mm - B95RS (4.777-100.0)



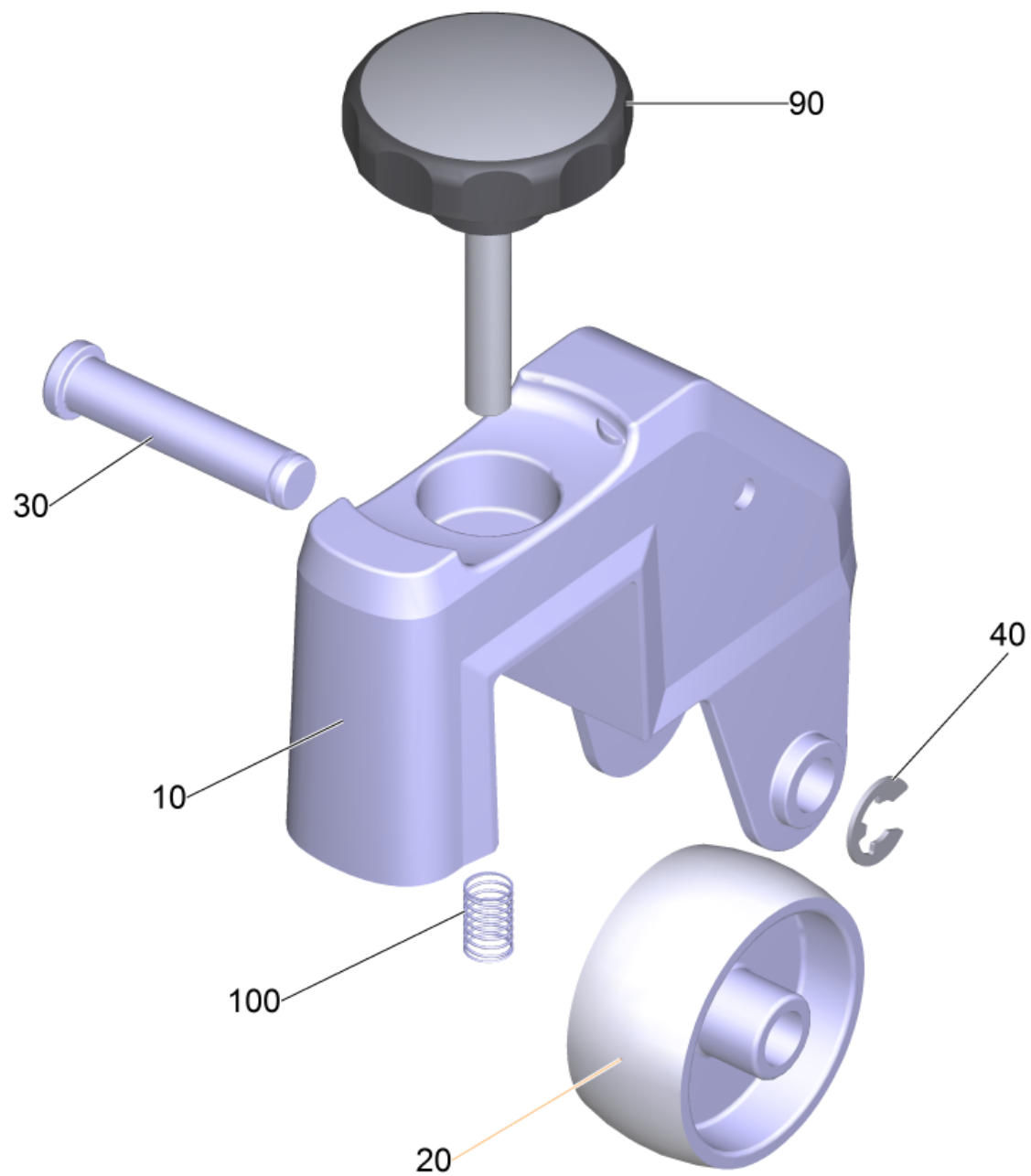
1 Suction bar curved 850mm - B95RS (4.777-100.0)

POS	Article no.	Description	Quantity	Unit
10		Suction bar pre-assembled curved 850mm	1	PC
20	5.033-601.0	Suction nipple	1	PC
30	2.885-294.0	End piece left / right spare parts set	1	PC
70	5.305-008.0	Wing screw M8x30 VA	2	PC
80	5.515-346.0	Deflector roll suction bar D120	2	PC
90	5.094-231.0	Sleeve suction bar in VA	2	PC
100	6.321-243.0	Star grip stainless steel D50x48	2	PC
110	5.007-217.0	Plate	1	PC
120	4.044-129.0	Support plate suction bar complete	1	PC
130	7.312-017.0	Washer 8-A2 ISO 7089	2	PC
140	7.306-142.0	Cylinder head screw M 8x25-A4-70 ISO 47	2	PC
9000	4.035-339.0	Roller suction bar	2	PC
9001	5.128-339.0	Additional weight suction bar	1	PC
9002	6.273-207.0	Rubber lip set oil resistant BR-BD530,55	1	ZSA
9002	6.273-229.0	Rubber lip set anti stripe oil resistant	1	PC
9002	6.273-290.0	BLADES FOR TEXTURED FLOORS	1	PC



10 Suction bar pre-assembled curved 850mm

POS	Article no.	Description	Quantity	Unit
20	5.033-578.0	End piece inside left	1	PC
30	5.033-579.0	End piece inside right	1	PC

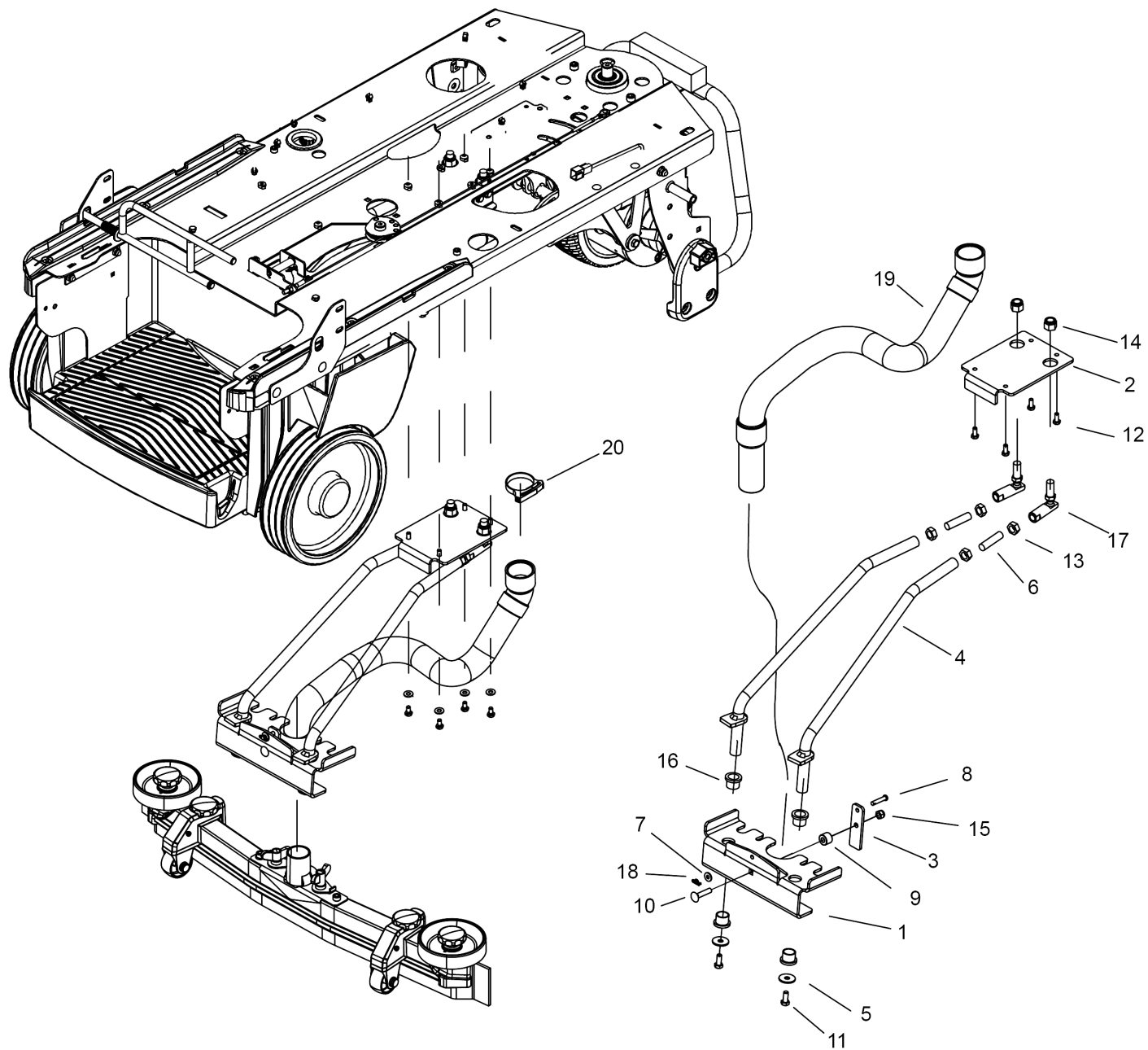


9000 Roller suction bar (4.035-339.0)

POS	Article no.	Description	Quantity	Unit
10	5.101-139.3	Roller holder weight packed	1	PC
20	6.435-401.0	Wheel D54	1	PC
30	5.317-781.0	Bolt roller	1	PC
40	7.343-303.0	Locking ring 8-A2 DIN 6799	1	PC
90	6.321-240.0	Star grip with inscription VA Ø50x43	1	PC
100	5.332-504.0	Pressure spring	1	PC

9002 BLADES FOR TEXTURED FLOORS (6.273-290.0)

POS	Article no.	Description	Quantity	Unit
20	6.273-229.0	Rubber lip set anti stripe oil resistant	1	PC



290 Squeegee Swing - Cylindrical

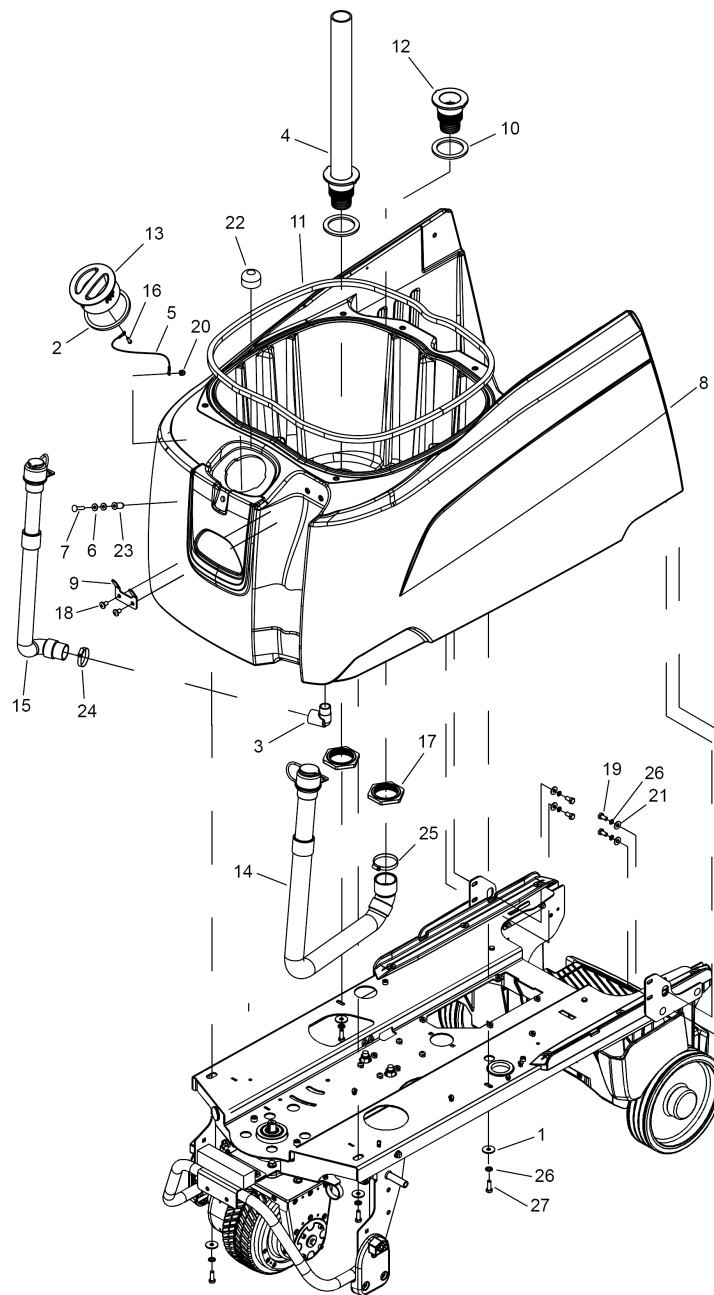
POS	Article no.	Description	Quantity	Unit
1	8.637-064.0	BRKT, SQUEEGEE MOUNT	1	PC
2	8.637-063.0	PLATE, SQUEEGEE PIVOT	1	PC
3	8.637-062.0	PLATE, CABLE PIN	1	PC
4	8.637-061.0	ARM, SQUEEGEE PIVOT	2	PC
5	8.636-725.0	WASHER, .344 X 1.13 X .09 SS	2	PC
6	8.636-236.0	ALL-THREAD, 1/2-20 STL ZNPLT	2	PC
7	8.636-177.0	WASHER, 1/4 FLT SS	1	PC
8	8.627-262.0	PIN, CLEVIS 1/4 X 1.125 STL ZNPLT	1	PC
9	8.632-068.0	SPACER, .311D X .750 X 56LG	1	PC
10	8.627-747.0	SCREW, 5/16-18 X 1.5 CARR SS	1	PC
11	8.627-678.0	SCREW, 5/16-18 X .75 HHCS SS	2	PC
12	8.627-375.0	SCREW, 1/4-20 X .625 HHCS SS NP	4	PC
13	8.627-156.0	NUT, 1/2-20 HEXTHIN STL GRA ZNPLT	4	PC
14	8.627-143.0	NUT, 1/2-20 HEX NYLOCK SS	2	PC
15	8.627-083.0	NUT, 5/16-18 HEX NYLOCK SS	1	PC
16	8.622-879.0	BUSHING, .753 X .875 X .75 FLG	4	PC
17	8.600-908.0	Ball joint ASM, 1/2-20	2	PC
18	8.600-865.0	PIN, COTTER RING 1/4 X .041 X .844	1	PC
19	8.635-430.0	SUCTION HOSE, 1.50"	1	PC
20	8.636-553.0	CLAMP, RACHET, 2.13D	1	PC

300 Steering

POS	Article no.	Description	Quantity	Unit
1	8.636-137.0	ASM, TENSIONER PLATE	1	PC
2	8.636-121.0	SCREW, 3/8-16 X .625 SCHCS STL BLKOX	1	PC
3	8.635-840.0	SHAFT, LOWER STEERING 2.1"	1	PC
4	8.635-839.0	SHAFT, UPPER STEERING 9.1"	1	PC
5	8.635-838.0	CHAIN,12.7MM PITCH, 118 ROLLER	1	PC
6	8.633-395.0	BUSHING, .751 D X 1 X .625 FLG	1	PC
7	8.633-072.0	CHAIN TENSIONNER	1	PC
8	8.627-894.0	WASHER, 1/4 STL ZNPLT	2	PC
9	8.627-741.0	SCREW, 5/16-18 X .625 CARR SS	2	PC
10	8.627-433.0	SCREW, M6 X 20 HHMS ZNPLT	1	PC
11	8.627-290.0	RING, 3/4" KLIP	1	PC
12	8.627-184.0	NUT, 5/16-18 HEXTHIN NYLOCK SS	3	PC
13	8.627-161.0	NUT, 5/8-18 HEXTHIN NYLOCK STL GR2 ZNPLT	1	PC
14	8.627-184.0	NUT, 5/16-18 HEXTHIN NYLOCK SS	2	PC
15	8.622-879.0	BUSHING, .753 X .875 X .75 FLG	1	PC
16	8.622-867.0	BEARING, 3/4 FLG	1	PC
17	8.622-481.0	SPROCKET, DRIVE WHEEL STEERING	1	PC
18	8.622-480.0	SPROCKET, STEERING SHAFT	1	PC
19	8.622-427.0	SLEEVE, CHAIN TENSIONER	1	PC
20	8.621-965.0	KEY, 5MM SQ X 39MM L	1	PC
21	8.621-960.0	Joint bush	1	PC
22	8.613-597.0	KEY, 3/16 X 3/16 X .625 LCSTL	1	PC
23	8.601-078.0	WASHER, 1/4 SPL STL ZNPLT	1	PC
24	8.601-067.0	WASHER, 5/16 FLT SS	5	PC
25	8.600-861.0	Flanged bearing PRESS STEEL	2	PC
26	8.600-563.0	NUT, 3/8-16 HEXTHIN NYLOCK SS	1	PC
27	8.600-103.0	BEARING, 3/4 SPH BALL	1	PC
28	5.642-035.0	Cap steering wheel	1	PC
	Item text1: replaced by 6.640-353.0			
28	6.640-353.0	Cap steering wheel KÄRCHER	1	PC
29	6.435-799.0	Steering wheel	1	PC
30	8.627-913.0	Washer 5/16 SPLIT LOCK PLTD	2	PC
31	8.636-111.0	BRKT, STEERING	1	PC

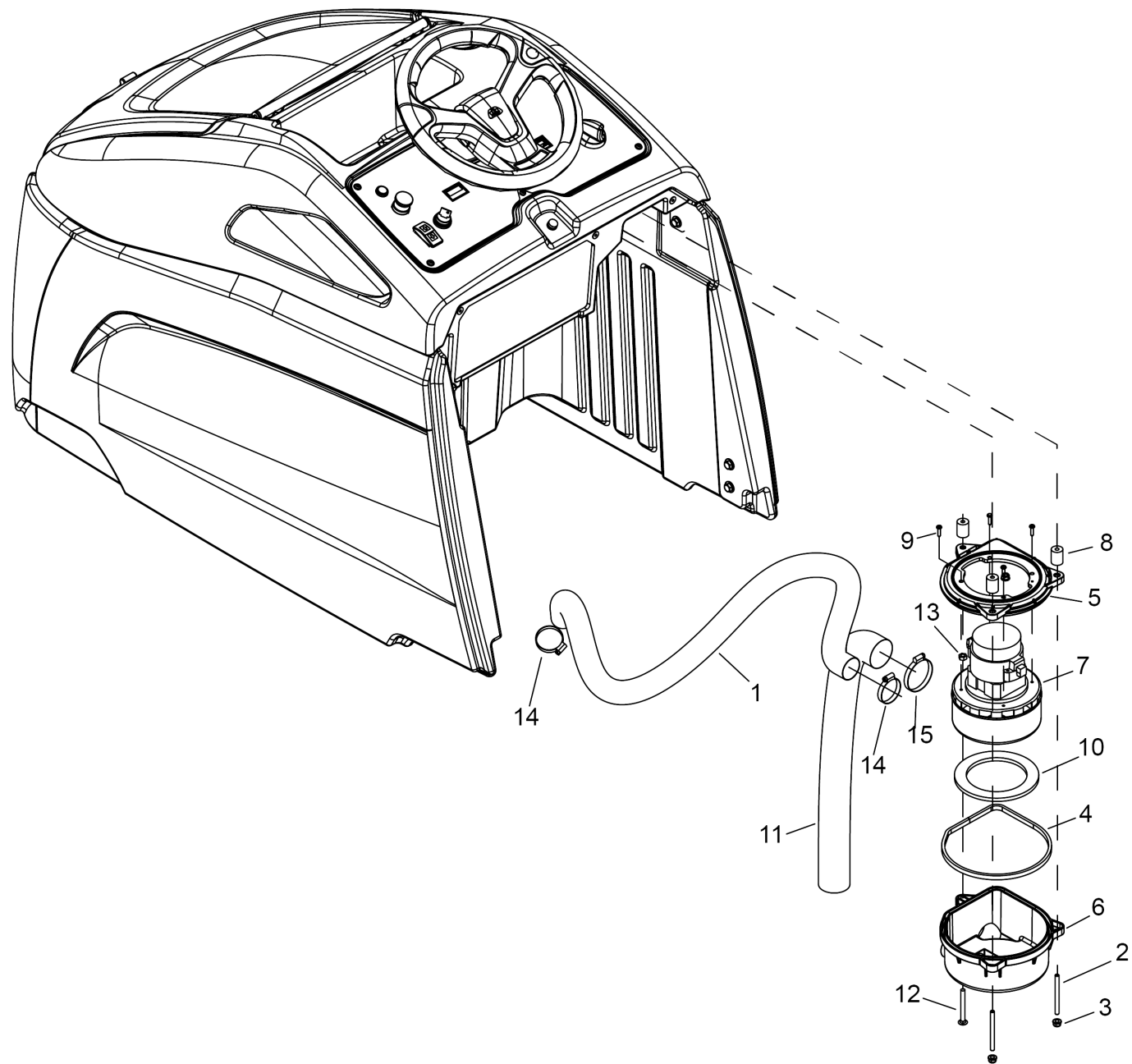
300 Steering

POS	Article no.	Description	Quantity	Unit
32	8.627-808.0	SCREW, 5/16-18 X 1.75 SCHSET CP SS	4	PC
33	8.627-083.0	NUT, 5/16-18 HEX NYLOCK SS	4	PC
34	8.636-725.0	WASHER, .344 X 1.13 X .09 SS	1	PC



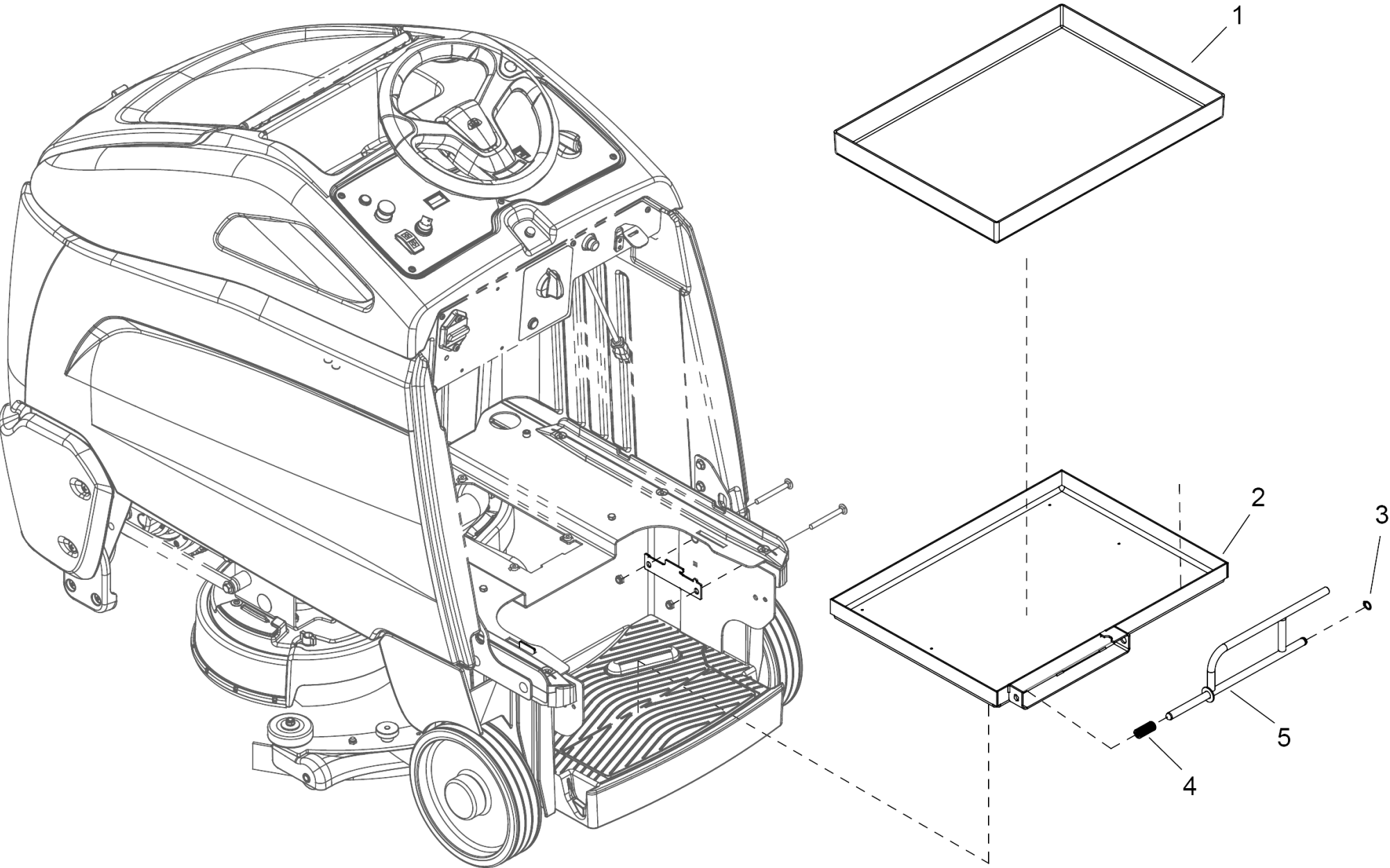
310 Tank

POS	Article no.	Description	Quantity	Unit
1	8.636-725.0	WASHER, .344 X 1.13 X .09 SS	4	PC
2	8.636-645.0	GASKET, SOLUTION FILL	1	PC
3	8.636-238.0	ELBOW, PVC 3/4M X SOC SCH 40	1	PC
4	8.636-192.0	TUBE, ASM, RECOVERY INLET	1	PC
5	8.636-178.0	LANYARD, 12" SS	1	PC
6	8.636-177.0	WASHER, 1/4 FLT SS	2	PC
7	8.636-176.0	SCREW, 1/4-20 X 1.25 RDHCARR SS	1	PC
8	8.639-977.0	TANK, GRAY, CS26	1	PC
9	8.636-065.0	BRKT, HOSE RETENTION	1	PC
10	8.636-064.0	GASKET, 3.30 X 2.45 X .188	2	PC
11	8.636-063.0	GASKET, MAIN TANK	1	PC
12	8.635-906.0	BULKHEAD FITTING	1	PC
13	8.639-380.0	CAP, FRESH WATER, YLW	1	PC
14	8.635-427.0	HOSE, RECOVERY DRAIN	1	PC
15	8.635-395.0	HOSE, SOLUTION DRAIN	1	PC
16	7.303-104.0	Screw 5x16 -A2-70 (IN6RD)	1	PC
17	8.631-408.0	NUT, DRAIN FITTING	2	PC
18	8.627-748.0	SCREW, 5/16-18 X .5 PHTRHMS SS	2	PC
19	8.627-649.0	SCREW, 5/16-18 X .625 HHCS SS	4	PC
20	8.627-194.0	NUT, 1/4-20 ACORN SS	1	PC
21	8.601-067.0	WASHER, 5/16 FLT SS	4	PC
22	8.600-797.0	Strainer 3/8 IN. NPT 60 MESH	1	PC
23	8.600-562.0	NUT, 1/4-20 WELL	1	PC
24	8.600-240.0	Clamp 2.0" WORM GEAR X .312W	1	PC
25	8.600-238.0	Clamp 2.25" WORM GEAR	1	PC
26	8.627-913.0	Washer 5/16 SPLIT LOCK PLTD	8	PC
27	8.627-678.0	SCREW, 5/16-18 X .75 HHCS SS	4	PC



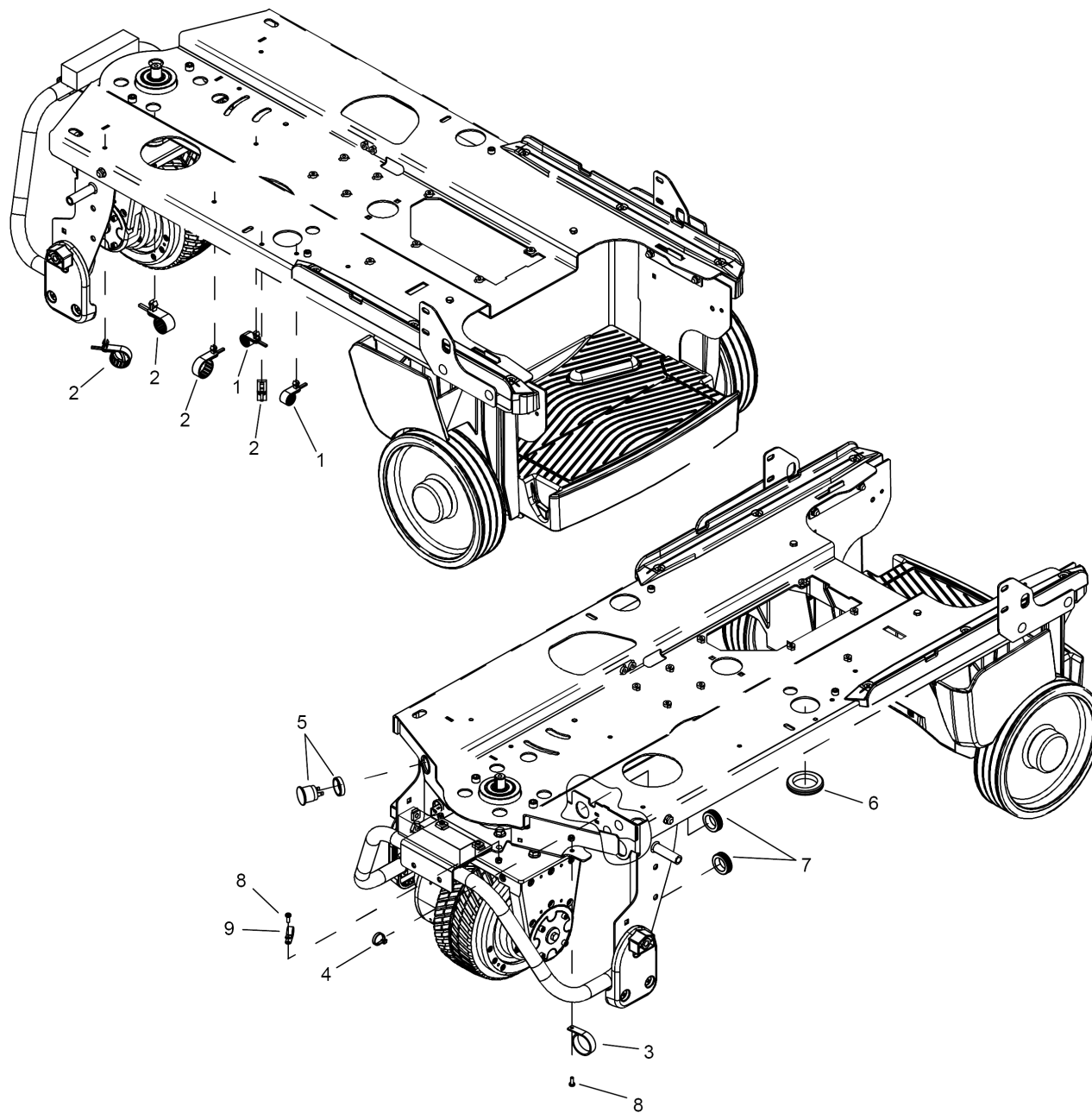
320 Vacuum

POS	Article no.	Description	Quantity	Unit
-	8.683-043.0	Carbon brush for 24/36V C-motor	1	PC
1	8.636-099.0	HOSE, 1.5 BLK VAC X 40"	1	PC
2	8.636-032.0	SCREW, 1/4-20 X 3 SCHSET CP SS	2	PC
3	8.636-031.0	NUT, 1/4-20 FLG NYLOCK SS	3	PC
4	8.636-027.0	GASKET, .188 X .31 X 22.8	1	PC
5	8.635-904.0	VAC HOUSING, UPPER	1	PC
6	8.635-903.0	VAC HOUSING, LOWER	1	PC
7	8.635-811.0	VAC MOTOR, 36VDC 2ST PD	1	PC
8	8.632-750.0	BUSHING, .250 X .75 X 1 MOUNT VIBRATION	3	PC
9	8.631-763.0	SCREW, 8-15 X .75 PHPNHSMS ZN TYPEA	4	PC
10	8.631-292.0	GASKET, VAC MOTOR	1	PC
11	8.628-099.0	HOSE, VAC EXHAUST X 24"	1	PC
12	8.627-635.0	SCREW, 1/4-20 X 2.5 CARR LCSTL BLK ZNPLT	1	PC
13	8.627-077.0	Nut	1	PC
14	8.600-240.0	Clamp 2.0" WORM GEAR X .312W	2	PC
15	8.600-238.0	Clamp 2.25" WORM GEAR	1	PC



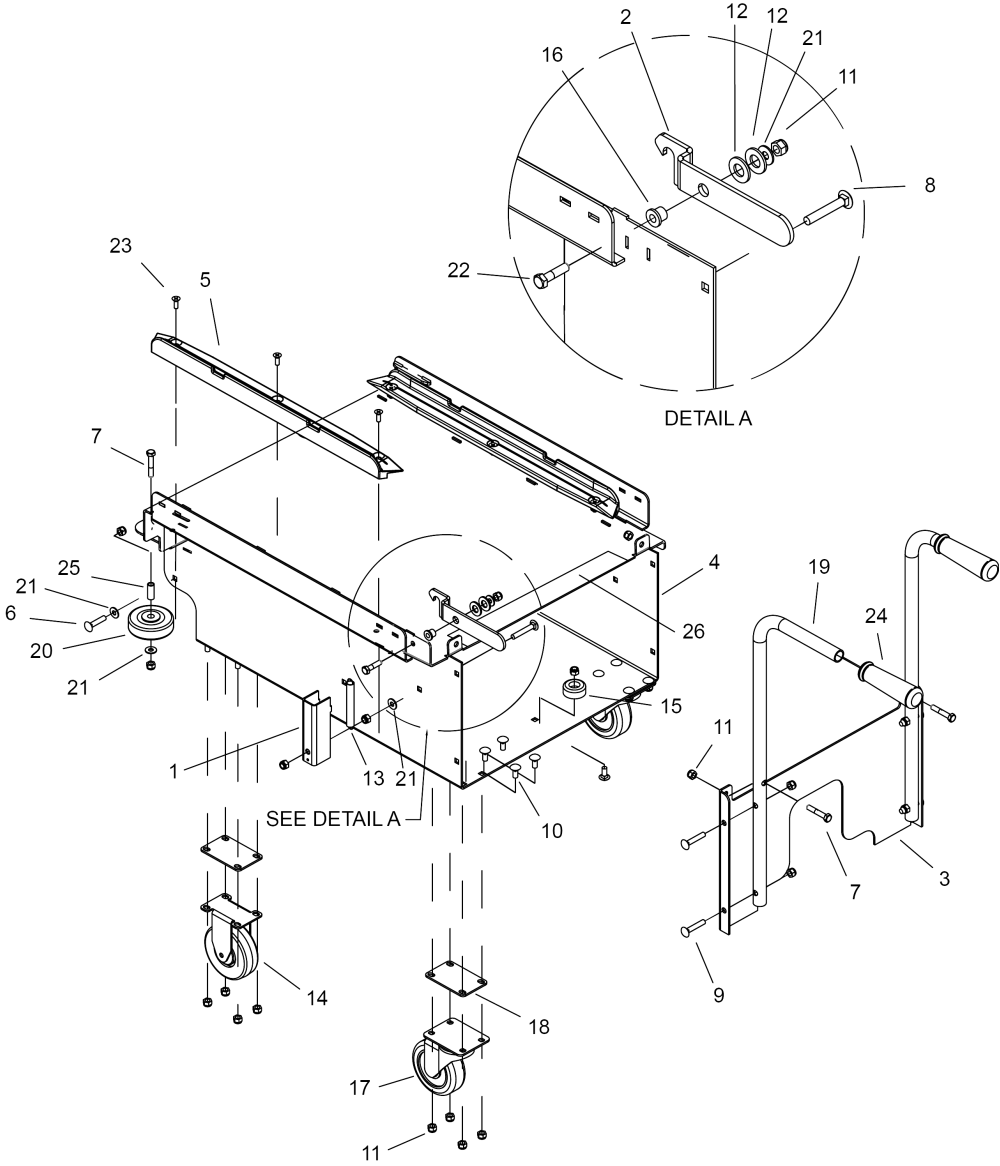
325 Battery Tray

POS	Article no.	Description	Quantity	Unit
1	8.639-814.0	TRAY, BATTERY CS26	1	PC
2	8.635-950.0	ASM, BATTERY TRAY	1	PC
3	8.627-281.0	Ring 1/2 EXT.SNAP H-D	1	PC
4	8.625-499.0	SPRING,COMP, 63ODX3.5LX.047W	1	PC
5	8.609-291.0	LATCH ROD, BATTERY TRAY	1	PC



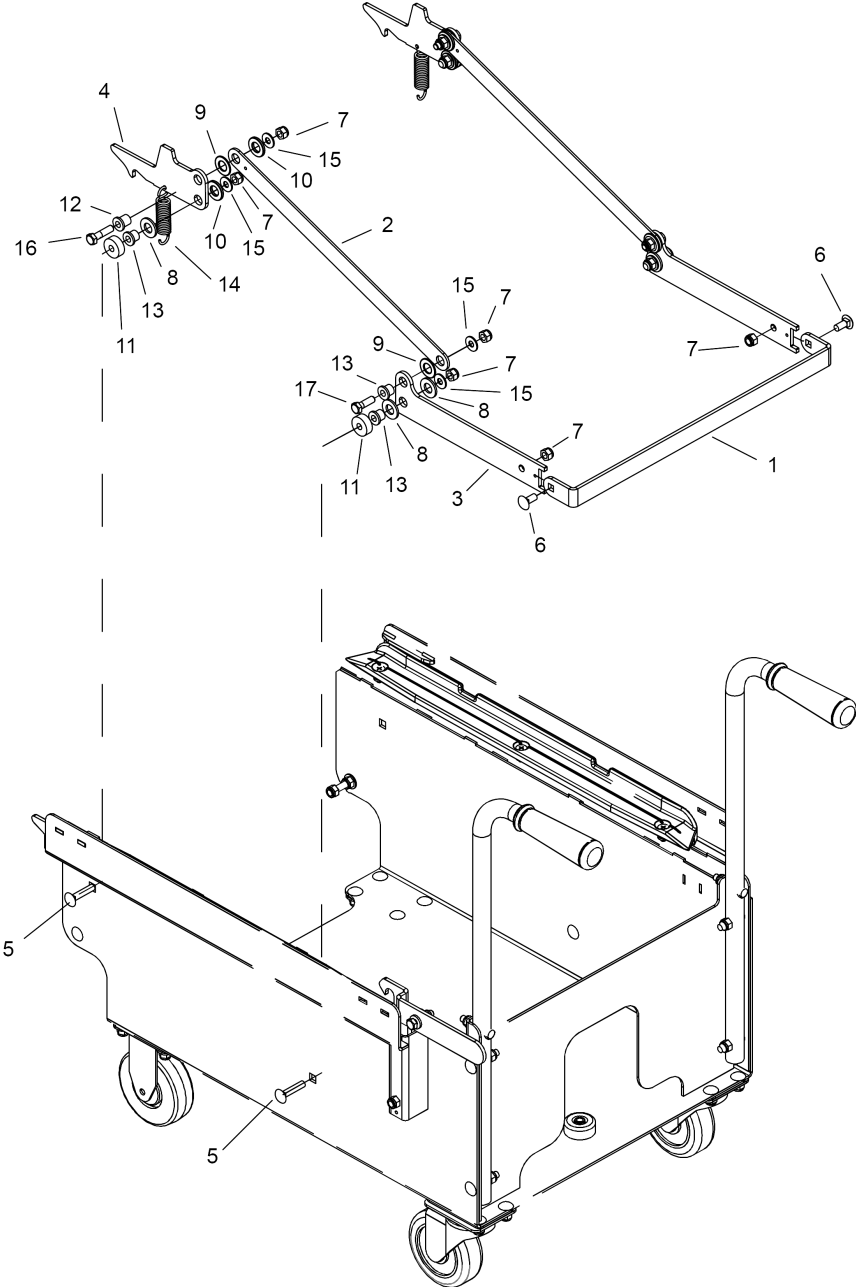
330 Wiring-Components

POS	Article no.	Description	Quantity	Unit
1	8.636-123.0	CLAMP, PAN 3/4"	2	PC
2	8.636-122.0	CLAMP, PAN 1-1/4"	4	PC
3	8.632-627.0	CLAMP, 1.5 DIA	1	PC
4	8.626-494.0	Cable tie 11.38" UL/CSA	1	PC
5	8.623-972.0	HORN, 108DB MINATURE W/RING	1	PC
6	8.623-850.0	GROMMET,1.703IDX2.5.ODX.125GRV	1	PC
7	8.623-843.0	GROMMET 1.00 ID 3/16 GRIP	2	PC
8	8.627-247.0	PIN, CLEVIS 3/16 X .75 STL ZNPLT	2	PC
9	8.619-846.0	CLAMP, 5/8 NYLON UL/CSA	1	PC



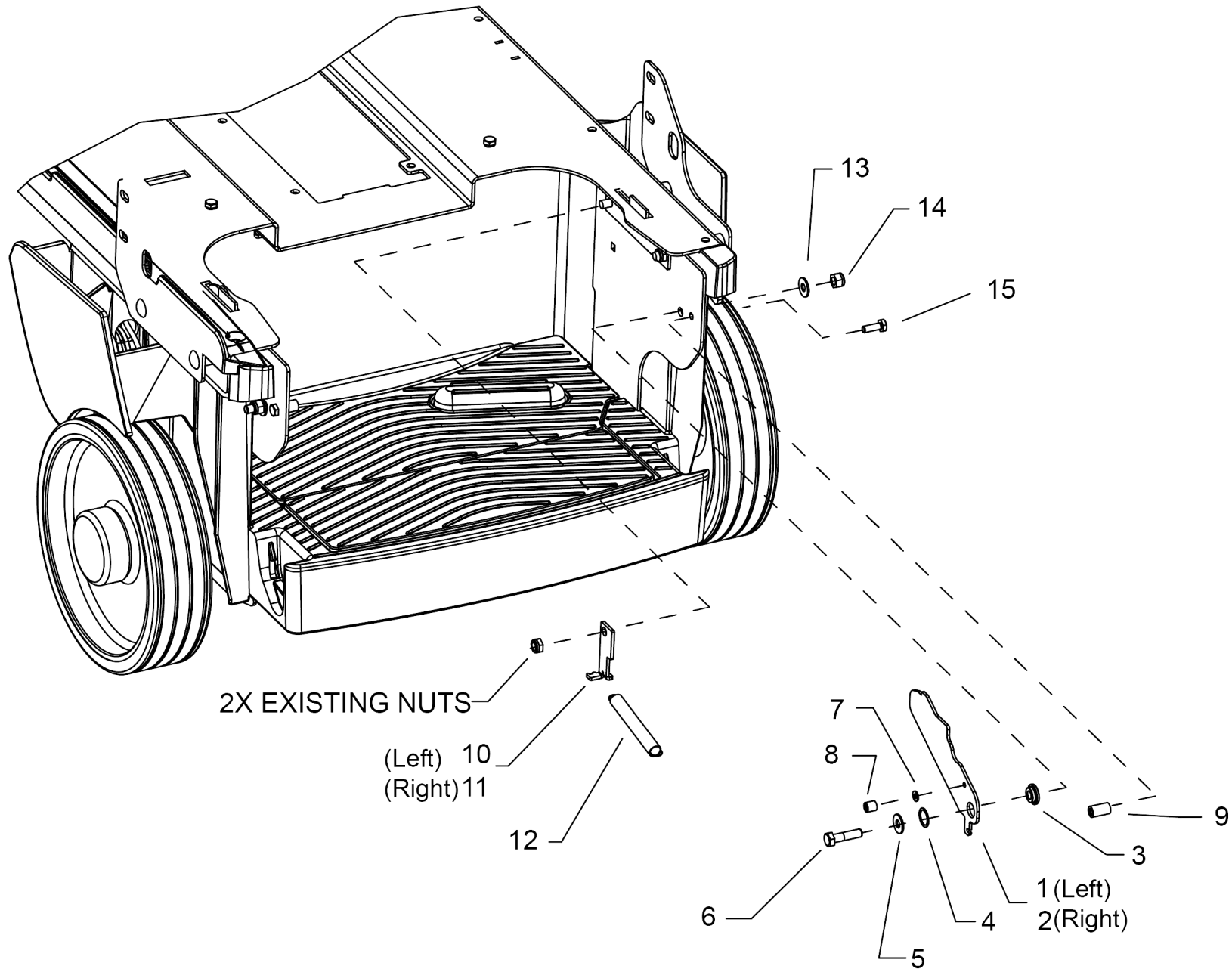
340 Battery Exchange - 1

POS	Article no.	Description	Quantity	Unit
1	8.635-945.0	BRKT, SPRING COVER, CART	1	PC
2	8.635-940.0	BRKT, TRAY CATCH	1	PC
3	8.635-939.0	BRKT, BACK, CART	1	PC
4	8.635-938.0	ASM, FRAME, BATTERY CART	1	PC
5	8.635-819.0	GLIDE, BATTERY TRAY	2	PC
6	8.627-747.0	SCREW, 5/16-18 X 1.5 CARR SS	2	PC
7	8.627-679.0	SCREW, 5/16-18 X 1.75 HHCS SS	4	PC
8	8.627-671.0	SCREW, 5/16-18 X 2 CARR SS	1	PC
9	8.627-669.0	SCREW, 5/16-18 X 1.75 CARR SS	4	PC
10	8.627-607.0	SCREW, 5/16-18 X .75 CARR SS	17	PC
11	8.627-083.0	NUT, 5/16-18 HEX NYLOCK SS	32	PC
12	8.625-942.0	WASHER, .510 X 1 THR	2	PC
13	8.625-489.0	Spring EXT, .50D X 4.0L	1	PC
14	8.623-259.0	CASTER, 4" HARD RUBBER RIGID	2	PC
15	8.623-109.0	BUMPER, RUBBER 5/16" ID X 1.50	1	PC
16	8.622-884.0	BUSHING, .314 X .502 X .5 FLG	1	PC
17	8.619-943.0	CASTER SWIVEL 4" 250# CPCTY	2	PC
18	7.777-999.0	Stockpiling discontinued	4	PC
19	7.777-999.0	Stockpiling discontinued	2	PC
20	8.601-102.0	Wheel 3" DIA CUSHION RUBBER	2	PC
21	8.601-067.0	WASHER, 5/16 FLT SS	6	PC
22	8.600-702.0	SCREW, 5/16-18 X 1.25 HHCS SS NP	1	PC
23	8.640-081.0	SCREW, 1/4-20 X .75 PHFLHMS SS	6	PC
24	8.600-407.0	GRIP, POLISHER HANDLE	2	PC
25	8.600-135.0	BUSHING, SPANNER .435 X 1.10	2	PC
26	8.624-428.0	LABEL, BATTERY CART OPERATION	1	PC



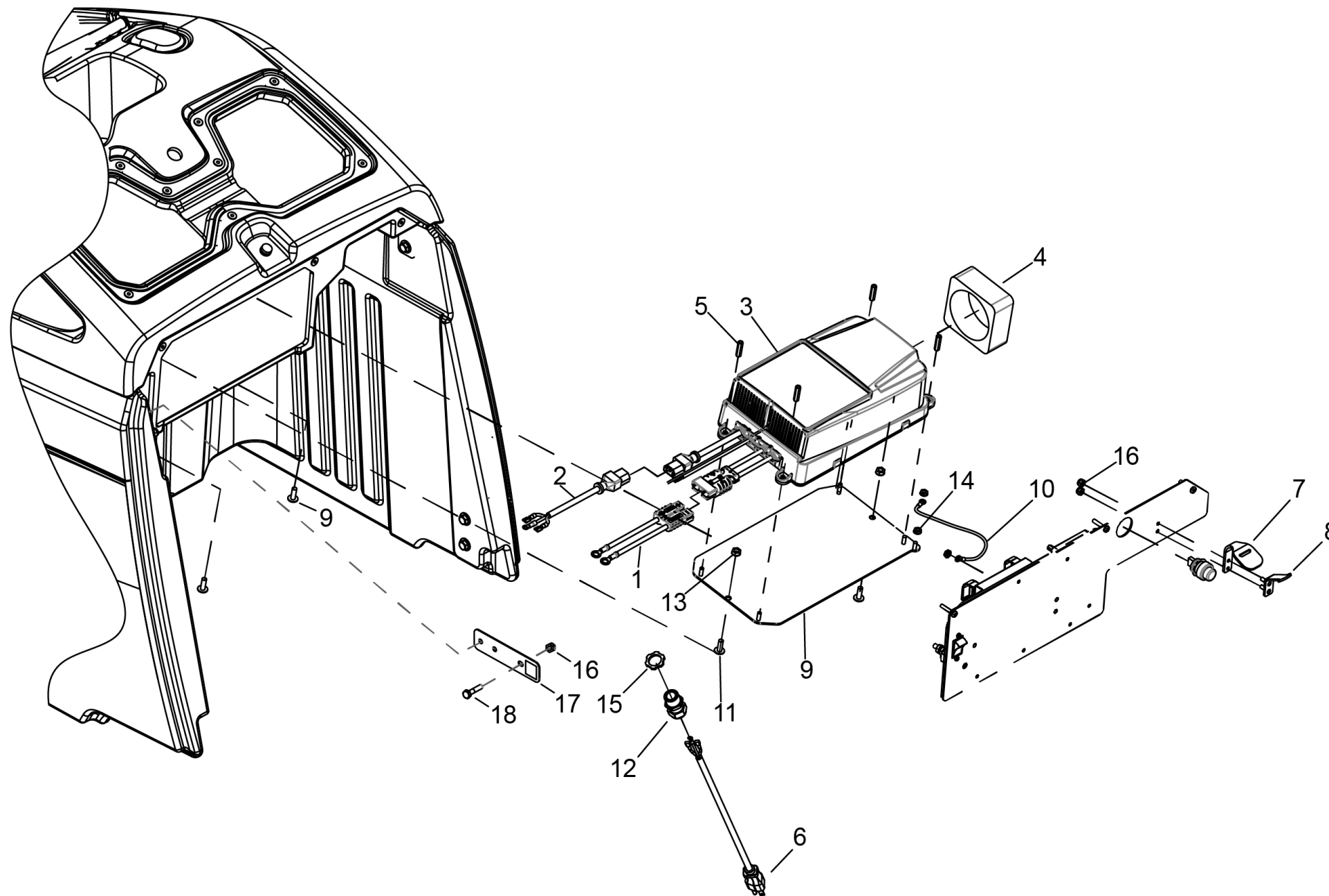
350 Battery Exchange - 2

POS	Article no.	Description	Quantity	Unit
1	8.635-944.0	BRKT, PEDAL, CART	1	PC
2	8.635-943.0	PLATE, LATCH LINK, CART	2	PC
3	8.635-942.0	PLATE, PEDAL LINK, CART	2	PC
4	8.635-941.0	PLATE, LATCH CART	2	PC
5	8.627-747.0	SCREW, 5/16-18 X 1.5 CARR SS	4	PC
6	8.627-607.0	SCREW, 5/16-18 X .75 CARR SS	2	PC
7	8.627-083.0	NUT, 5/16-18 HEX NYLOCK SS	10	PC
8	8.625-942.0	WASHER, .510 X 1 THR	6	PC
9	8.625-941.0	WASHER, .51 X 10 X .063 THR	4	PC
10	8.625-940.0	WASHER, .51 THR	4	PC
11	8.625-428.0	WASHER, .321 X 1 X .375 NYL BLK	4	PC
12	8.623-115.0	BUSHING, .314 X .502 X .625 FLG	2	PC
13	8.622-884.0	BUSHING, .314 X .502 X .5 FLG	6	PC
14	8.622-683.0	Spring EXT .68D X3.00L X.098W	2	PC
15	8.601-067.0	WASHER, 5/16 FLT SS	8	PC
16	8.600-702.0	SCREW, 5/16-18 X 1.25 HHCS SS NP	2	PC
17	8.627-576.0	Screw 5/16-18 X 1 HHCS GR8 PLTD	2	PC



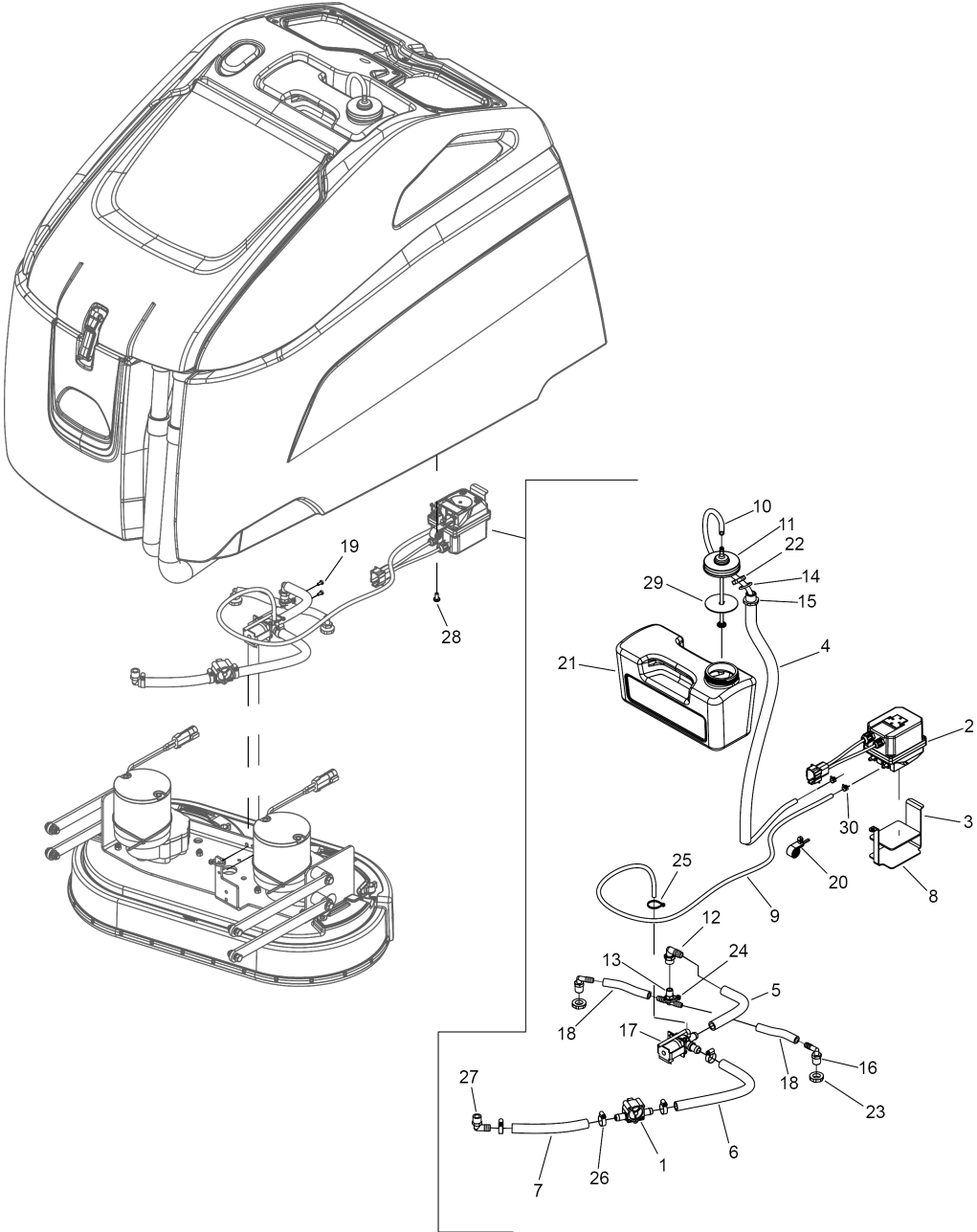
360 Battery Exchange - 3

POS	Article no.	Description	Quantity	Unit
1	8.636-004.0	BATTERY STOP, LEFT	1	PC
2	8.636-005.0	BATTERY STOP, RIGHT	1	PC
3	8.631-967.0	SLEEVE, BEARING	2	PC
4	8.636-376.0	PLATE, SHIM .030" THICK	2	PC
5	8.601-067.0	WASHER, 5/16 FLT SS	2	PC
6	8.600-702.0	SCREW, 5/16-18 X 1.25 HHCS SS NP	2	PC
7	8.627-919.0	WASHER, 10 FLT STL ZNPLT	2	PC
8	8.636-009.0	STANDOFF, RND, 3/8OD, 10-32X3/8	2	PC
9	8.629-820.0	STANDOFF, .43 OD, 1/4-20 X.75L	2	PC
10	8.636-006.0	BRKT, SPING MOUNT, LT	1	PC
11	8.636-007.0	BRKT, SPRING MOUNT, RT	1	PC
12	8.625-489.0	Spring EXT, .50D X 4.0L	2	PC
13	8.601-067.0	WASHER, 5/16 FLT SS	2	PC
14	8.627-083.0	NUT, 5/16-18 HEX NYLOCK SS	2	PC
15	8.627-378.0	SCREW, 1/4-20 X .75 HHCS SS NP	2	PC



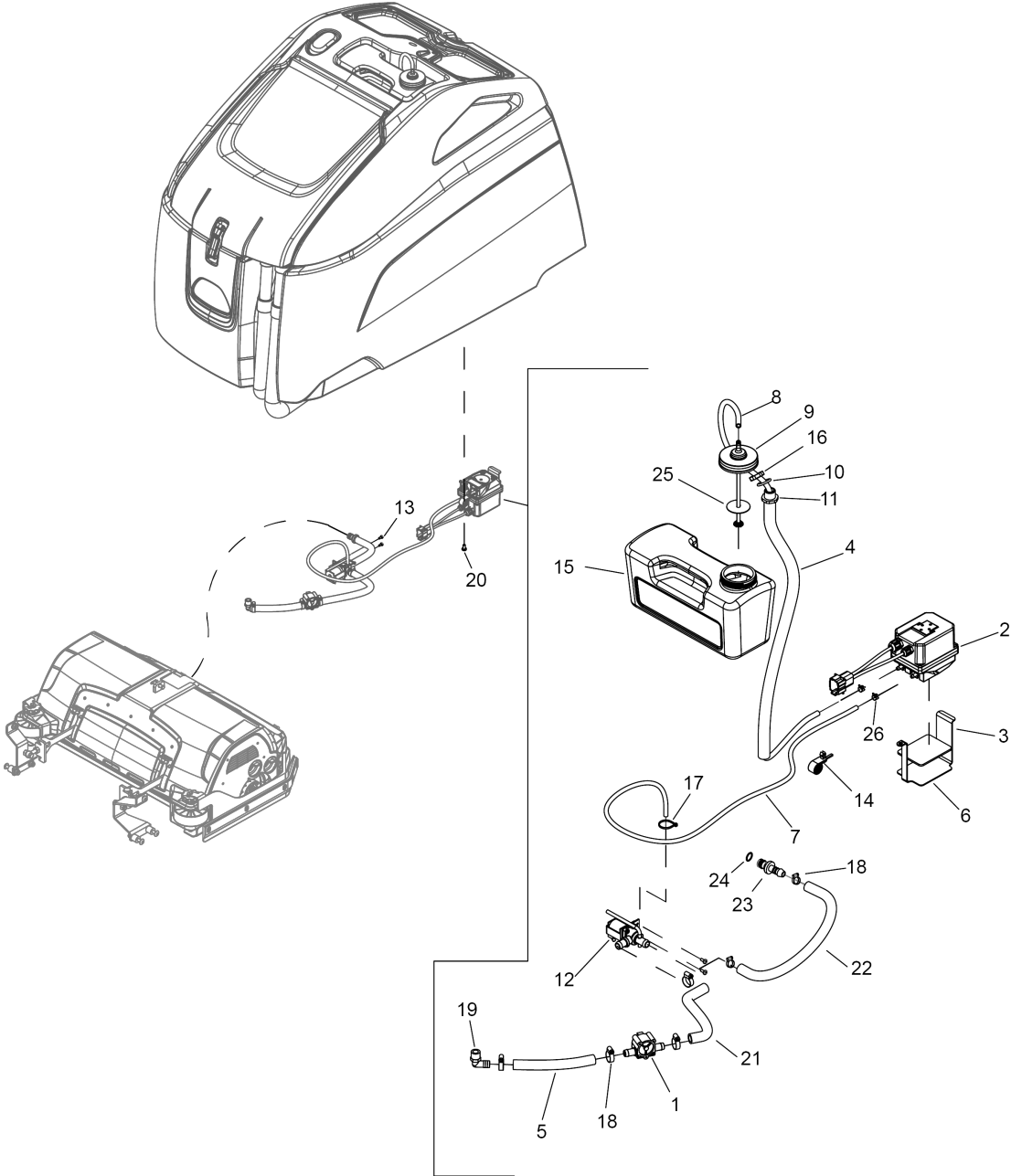
370 Onboard Charger

POS	Article no.	Description	Quantity	Unit
1	8.641-492.0	CABLE ASM, SB50 TO RING	1	PC
2	8.641-491.0	CORD ASM, 14/3 SJTX4IN IEC TO SPADE	1	PC
3	8.641-490.0	CHARGER, SPE 36V 25A CBHF2-PFC	1	PC
4	8.636-947.0	COVER, OBC VENT	1	PC
5	8.636-608.0	STANDOFF, 10-32 X 1.0 NYL	4	PC
6	8.636-380.0	CORD ASM, 16/3 SJT X 6FT BLK	1	PC
7	8.636-144.0	STRAP, CORD	1	PC
8	8.636-143.0	BRKT, CORD	1	PC
9	8.636-109.0	PLATE, OBC MOUNT	1	PC
10	8.630-799.0	WIRE, 10" GRN/14 76010 X 76010	1	PC
11	8.627-764.0	SCREW, 1/4-20 X .75 PHTRHMS SS	2	PC
12	8.625-618.0	STRAIN RELIEF, 1/2 NPT (.48ID)	1	PC
13	8.600-571.0	NUT, 1/4-20 HEXSTRW LK STL ZNPLT	2	PC
14	8.600-570.0	NUT, 10-32 HEXSTRW LK STL ZNPLT	3	PC
15	8.600-567.0	NUT, 1/2-14 CONDUIT LK STL ZNPLT	1	PC
16	8.600-564.0	NUT, 10-32 HEX NYLOCK STL GR2 ZNPLT	2	PC
17	8.637-156.0	Plate OBC LOCK	1	PC
18	8.627-374.0	SCREW, 1/4-20 X 1.5 HHCS SS	1	PC



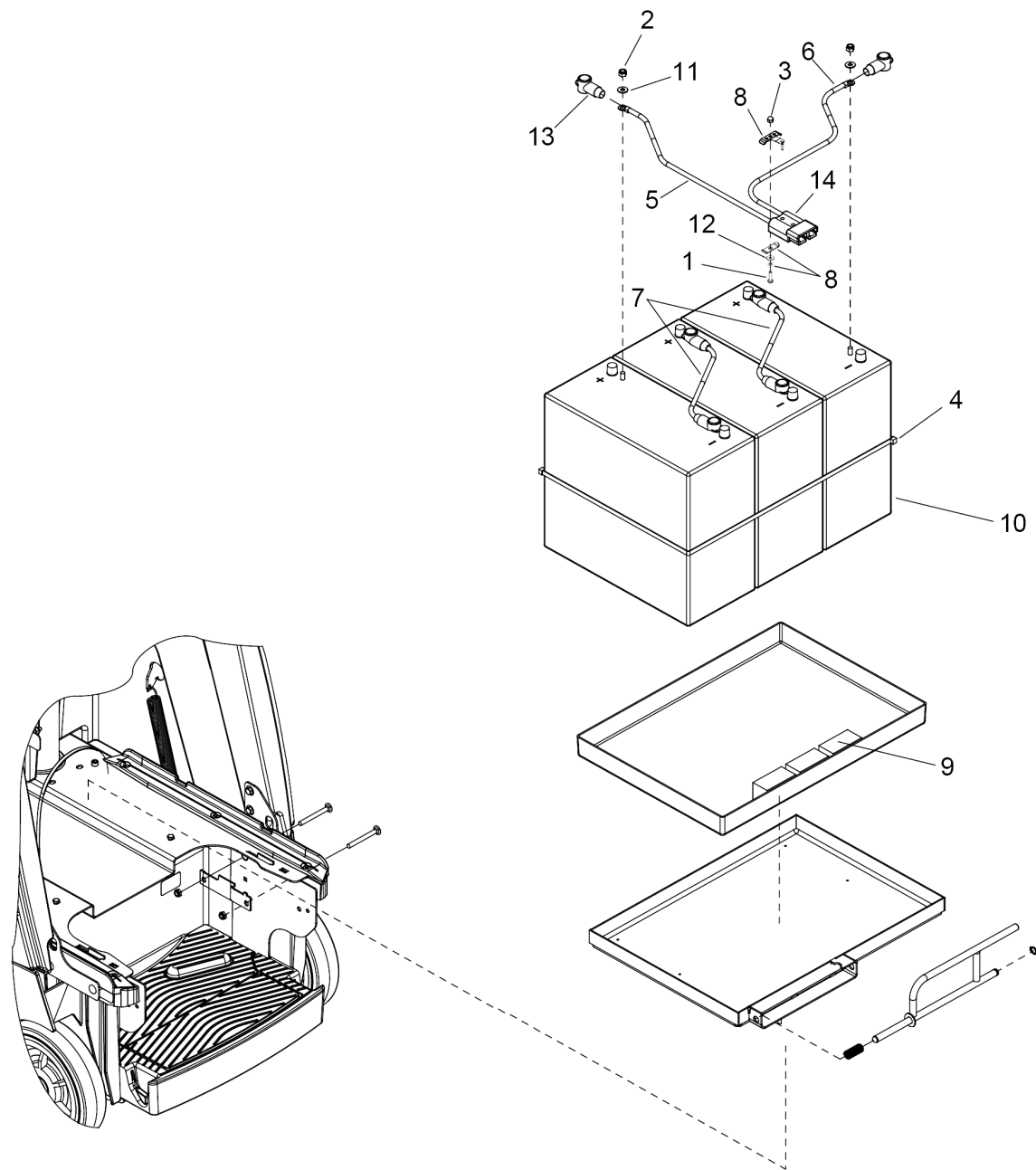
380 Chemical Metering Solution System - Disk

POS	Article no.	Description	Quantity	Unit
-	4.035-476.0	Hose kit replacement SEKO	1	PC
-	8.636-992.0	CAP, STORAGE, 70 MM	1	PC
-	8.637-045.0	KIT, CHEMICAL BOTTLE 3-PACK	1	PC
1	6.429-038.3	Flowmetre	1	PC
2	8.636-439.0	PUMP, CHEMICAL DOSING	1	PC
3	8.636-399.0	BRKT, CHEMICAL PUMP	1	PC
4	8.636-398.0	HOSE, 5/8ID X .12W CLR X 25"	1	PC
5	8.636-397.0	HOSE, 1/2ID WIREBOUND X 8.25"	1	PC
6	8.636-396.0	HOSE 1/2ID WIREBOUND X 15"	1	PC
7	8.636-395.0	HOSE, 1/2ID WIREBOUND X 6.25"	1	PC
8	8.636-394.0	PAD, CHEMICAL PUMP	1	PC
9	8.636-390.0	HOSE, 3/16ID X 5/16OD X 41, CLR	1	PC
10	8.640-159.0	HOSE, 3/16ID X 5/16OD X 47, CLR	1	PC
11	8.636-388.0	CAP, 70MM DISPENSING, FLTR, BLK	1	PC
12	8.636-298.0	ELBOW, 1/4FPT X 1/2BARB 90 DEG NYL	1	PC
13	8.636-297.0	TEE, 1/4 MPT X 3/8 BARBS, NYL	1	PC
14	8.636-285.0	O-RING, .86 ID X .14W, BUNA-N	1	PC
15	8.636-284.0	FTG, 1/2 MPT X 1/2 CONDUIT, NYL	1	PC
16	8.600-155.0	Hose connection	2	PC
17	8.636-169.0	VALVE, 36V SOL, 1/2 BARB, MC	1	PC
18	8.628-133.0	HOSE, 3/8ID WIRE BOUND X 4"	2	PC
19	8.600-652.0	SCREW, 8-32 X .375 PHPNHMS SS	2	PC
20	8.636-123.0	CLAMP, PAN 3/4"	1	PC
21	8.635-901.0	CHEMICAL BOTTLE	1	PC
22	8.627-185.0	NUT, 1/2-13 LK NYL BLK	1	PC
23	8.627-183.0	NUT, 3/8-16 LK NYL BLK	2	PC
24	8.626-494.0	Cable tie 11.38" UL/CSA	1	PC
25	8.626-493.0	CABLE TIE, 3.5" UL/CSA	1	PC
26	8.623-315.0	CLAMP, 3/8 HOSE (D-SLOT)	4	PC
27	8.619-794.0	HOSEBARB, 3/8MPTX1/2 90D DL	1	PC
28	8.622-374.0	SCREW, 1/4-20 X .59 PHPNHMS SS	1	PC
29	8.640-224.0	GASKET, 2.66OD X .06 THICK	1	PC
30	8.640-234.0	CLAMP, HOSE, .38 BAND	2	PC



390 Chemical Metering Solution System - Cyli

POS	Article no.	Description	Quantity	Unit
-	4.035-476.0	Hose kit replacement SEKO	1	PC
-	8.636-992.0	CAP, STORAGE, 70 MM	1	PC
-	8.637-045.0	KIT, CHEMICAL BOTTLE 3-PACK	1	PC
1	6.429-038.3	Flowmetre	1	PC
2	8.636-439.0	PUMP, CHEMICAL DOSING	1	PC
3	8.636-399.0	BRKT, CHEMICAL PUMP	1	PC
4	8.636-398.0	HOSE, 5/8ID X .12W CLR X 25"	1	PC
5	8.636-395.0	HOSE, 1/2ID WIREBOUND X 6.25"	1	PC
6	8.636-394.0	PAD, CHEMICAL PUMP	1	PC
7	8.637-174.0	HOSE, 3/16ID X 5/16OD X 24, CLR	1	PC
8	8.640-159.0	HOSE, 3/16ID X 5/16OD X 47, CLR	1	PC
9	8.636-388.0	CAP, 70MM DISPENSING, FLTR, BLK	1	PC
10	8.636-285.0	O-RING, .86 ID X .14W, BUNA-N	1	PC
11	8.636-284.0	FTG, 1/2 MPT X 1/2 CONDUIT, NYL	1	PC
12	8.636-169.0	VALVE, 36V SOL, 1/2 BARB, MC	1	PC
13	8.600-652.0	SCREW, 8-32 X .375 PHPNHMS SS	2	PC
14	8.636-123.0	CLAMP, PAN 3/4"	1	PC
15	8.635-901.0	CHEMICAL BOTTLE	1	PC
16	8.627-185.0	NUT, 1/2-13 LK NYL BLK	1	PC
17	8.626-493.0	CABLE TIE, 3.5" UL/CSA	1	PC
18	8.623-315.0	CLAMP, 3/8 HOSE (D-SLOT)	6	PC
19	8.619-794.0	HOSEBARB, 3/8MPTX1/2 90D DL	1	PC
20	8.622-374.0	SCREW, 1/4-20 X .59 PHPNHMS SS	1	PC
21	8.637-084.0	HOSE, 1/2ID WIREBOUND X 9.25"	1	PC
22	8.630-277.0	Hose 1/2 x 14"	1	PC
23	5.443-375.0	Hose stem	1	PC
24	6.362-170.0	O-Ring seal 11,3 X 2,4-NBR 70	1	PC
25	8.640-224.0	GASKET, 2.66OD X .06 THICK	1	PC
26	8.640-234.0	CLAMP, HOSE, .38 BAND	2	PC



400 BATTERY, 234AH AGM, CS26

POS	Article no.	Description	Quantity	Unit
1	8.627-398.0	SCREW, 10-32 X .75 PHPNHMS SS	1	PC
2	8.627-191.0	Nut 5/16-18 FLEX LK STL GRA ZNPLT	6	PC
3	8.627-089.0	NUT, 10-32 ACORN STL NKLPLT	1	PC
4	8.626-496.0	CABLE TIE, .375 X 43"	2	PC
5	8.626-061.0	WIRE, 4X25RD CTERM X 3/8RING	1	PC
6	8.626-023.0	WIRE, 4X30 BK CTERM X 3/8RING	1	PC
7	8.626-020.0	WIRE4X14.5BK 3/8RINGX3/8RING	2	PC
8	8.623-336.0	Clamp	1	PC
9	8.622-970.0	BLOCK, 3.0 X 1.5 X 1.5	3	PC
10	8.622-843.0	BATTERY, 12V AGM 234AH	3	PC
11	8.601-067.0	WASHER, 5/16 FLT SS	6	PC
12	8.601-065.0	WASHER, .203 X .562 X .040 FLT	1	PC
13	8.600-892.0	BOOT, RUBBER TERM. ISOLATOR	6	PC
14	8.600-876.0	CONNECTOR 175 DCA GRY W/O TERMS	1	PC

400 BATTERY, 205AH LA, CS26

POS	Article no.	Description	Quantity	Unit
1	8.622-841.0	BATTERY 12V 205AH	3	PC
2	8.627-398.0	SCREW, 10-32 X .75 PHPNHMS SS	1	PC
3	8.627-191.0	Nut 5/16-18 FLEX LK STL GRA ZNPLT	6	PC
4	8.627-089.0	NUT, 10-32 ACORN STL NKLPLT	1	PC
5	8.626-496.0	CABLE TIE, .375 X 43"	2	PC
6	8.626-061.0	WIRE, 4X25RD CTERM X 3/8RING	1	PC
7	8.626-023.0	WIRE, 4X30 BK CTERM X 3/8RING	1	PC
8	8.626-020.0	WIRE4X14.5BK 3/8RINGX3/8RING	2	PC
9	8.623-336.0	Clamp	1	PC
10	8.601-067.0	WASHER, 5/16 FLT SS	6	PC
11	8.601-065.0	WASHER, .203 X .562 X .040 FLT	1	PC
12	8.600-892.0	BOOT, RUBBER TERM. ISOLATOR	6	PC
13	8.600-876.0	CONNECTOR 175 DCA GRY W/O TERMS	1	PC

400 BATTERY, LITHIUM

POS	Article no.	Description	Quantity	Unit
-	8.642-976.0	Fuse 150A lithium 36V 12-36-6700	1	PC
1	8.643-084.0	Connector SB175 yellow without terms	1	PC
2	8.642-842.0	Wire 1/0 28in black contact term M8 ring	1	PC
3	8.642-841.0	Wire 1/0 20in red contact term M8 ring	1	PC
4	8.642-838.0	BRKT, LITHIUM BATTERY MOUNT	4	PC
5	8.642-837.0	BATTERY, 36V LITHIUM, LARGE	1	PC
6	8.635-950.0	ASM, BATTERY TRAY	1	PC
7	8.627-947.0	WASHER, 10 SPL STL ZNPLT	1	PC
8	8.627-383.0	SCREW, 1/4-20 X .5 HHCS SS NP	4	PC
9	8.627-378.0	SCREW, 1/4-20 X .75 HHCS SS NP	4	PC
10	8.627-281.0	Ring 1/2 EXT.SNAP H-D	1	PC
11	8.627-089.0	NUT, 10-32 ACORN STL NKLPLT	1	PC
12	8.625-499.0	SPRING,COMP, 63ODX3.5LX.047W	1	PC
13	8.623-336.0	Clamp	1	PC
14	8.609-291.0	LATCH ROD, BATTERY TRAY	1	PC
15	8.601-065.0	WASHER, .203 X .562 X .040 FLT	1	PC
16	8.601-063.0	WASHER, 1/4 SS	12	PC
17	8.600-892.0	BOOT, RUBBER TERM. ISOLATOR	2	PC
18	8.600-683.0	SCREW, 10-32 X 1 PHPNHMS STL ZNPLT	1	PC
19	7.777-999.0	Stockpiling discontinued	4	PC

440 BATTERY CABLES, INTL, CS26

POS	Article no.	Description	Quantity	Unit
10	8.600-251.0	CABLE ASM, BAT. JUMPER X 15"	2	PC
20	8.600-257.0	WIRE, 4X27 RD BCLAMP X CTERM	1	PC
30	8.600-258.0	WIRE, 4X27 BK BCLAMP X CTERM	1	PC
40	8.600-876.0	CONNECTOR 175 DCA GRY W/O TERMS	2	PC
50	8.600-892.0	BOOT, RUBBER TERM. ISOLATOR	6	PC
60	8.601-065.0	WASHER, .203 X .562 X .040 FLT	2	PC
70	8.601-067.0	WASHER, 5/16 FLT SS	6	PC
80	8.623-336.0	Clamp	2	PC
90	8.626-020.0	WIRE4X14.5BK 3/8RINGX3/8RING	2	PC
100	8.626-023.0	WIRE, 4X30 BK CTERM X 3/8RING	1	PC
110	8.626-061.0	WIRE, 4X25RD CTERM X 3/8RING	1	PC
120	8.626-496.0	CABLE TIE, .375 X 43"	2	PC
130	8.627-089.0	NUT, 10-32 ACORN STL NKLPLT	2	PC
140	8.627-191.0	Nut 5/16-18 FLEX LK STL GRA ZNPLT	6	PC
150	8.627-398.0	SCREW, 10-32 X .75 PHPNHMS SS	2	PC