

KÄRCHER

makes a difference

Spare Parts List

Chariot 3 iScrub 26

1.006-150.0	CS26
1.006-151.0	CSC26
1.006-158.0	CSM26
1.006-159.0	CSCM26
1.006-152.0	CS26SP
1.006-153.0	CSC26SP
1.006-160.0	CSM26SP
1.006-161.0	SCM26SP
1.006-187.0	CS26LI
1.006-191.0	CS26CA
1.006-194.0	CS26SPLI

From Serial Number (Ref No. 1*)

* See Serial Number page
or call manufacturer.

Table of contents

CS26 ALL MODELS GROUPS - EW (0.250-916.0)	3
10 Bumper	5
20 Console	7
30 Console Mounting	9
40 Control Panel - Upper	11
20 KEM Machine Connect B 110 R *EU (2.644-213.0)	13
10 Kaercher Fleet services B110R	14
50 Control Panel - Lower	16
60 Control Panel - Chemical Solution Meteri	18
70 Control Panel Mounting	20
80 Decals	22
90 Drive Mounting	24
100 Frame	26
110 Platform	28
120 Platform Footbox & Rear Wheels	30
130 Rear Cover	32
140 Scrub Deck - Disk	34
150 Scrub Deck Lift - Disk	36
160 Scrub Deck Mounting - Disk	38
170 Scrub Brush/Pads Driver - Disk	40
180 Solution System - Disk	42
190 Squeegee - Disk	44
200 Squeegee Swing - Disk	47
210 Squeegee Lift	49
220 Scrub Deck - Cylindrical	51
1 Brush-head R 65 S (2.763-004.0)	53
10 Brush-head R 65 S	54
10 Power brush R 65 S	55
34 Set splash guard reinforced (4.071-003.0)	59
34 Set splash guard onesided (4.071-228.0)	60
42 Set plug complete rot, 75A , Q-6mm ² (6.646-034.0)	61
43 Set plug complete blau , 75A , Q-6mm ² (6.646-033.0)	63
49 Holder power brush replacement (4.040-194.0)	65
20 Roll pad BR	67
230 Scrub Deck Lift - Cylindrical	69
240 Scrub Deck Skirts	71
250 Scrub Deck Mounting - Cylindrical	73
260 Solution System - Cylindrical	75

Table of contents

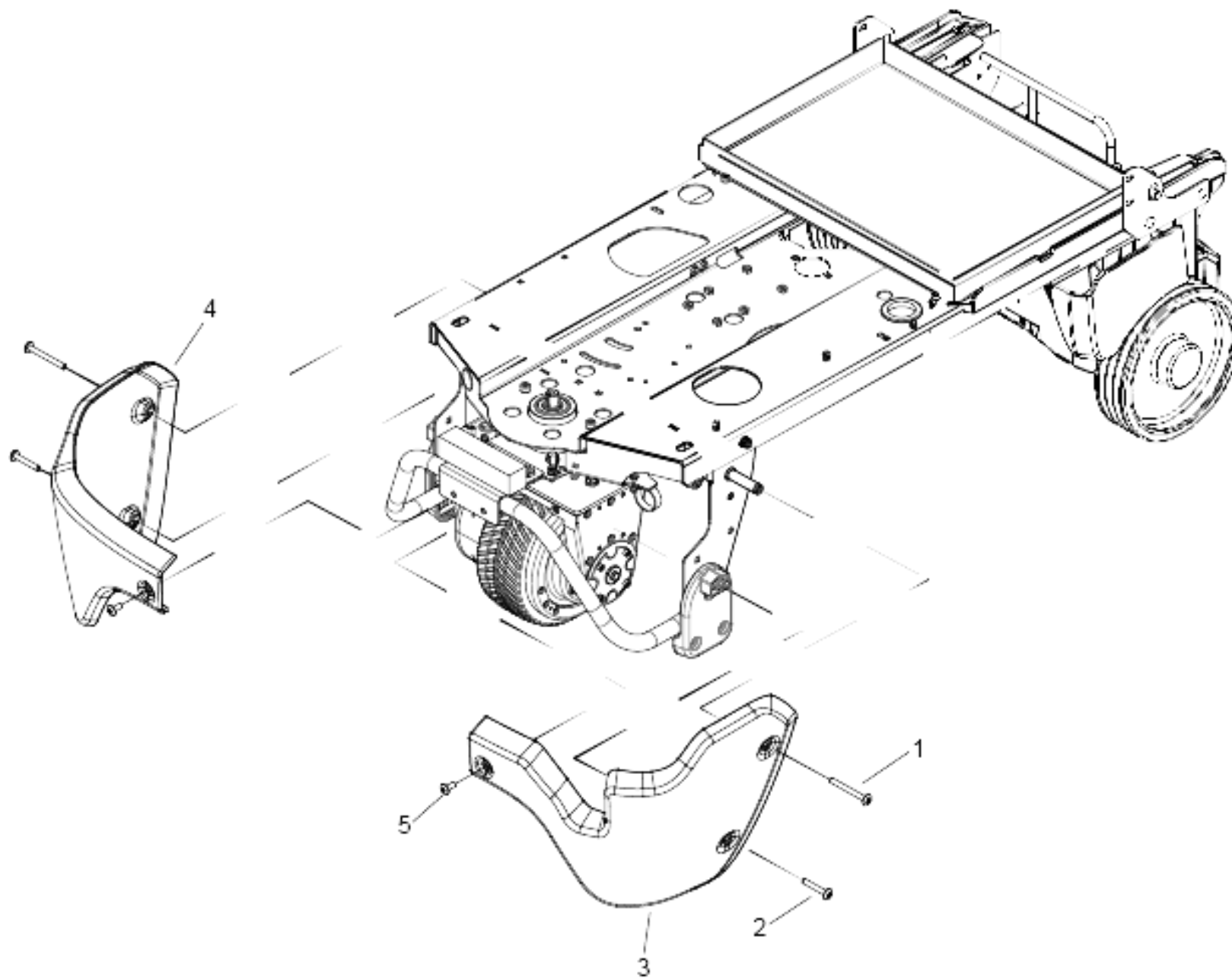
270 Squeegee - Cylindrical	77
2 BLADES FOR TEXTURED FLOORS (6.273-290.0)	79
7 Suction bar curved 850mm - B95RS (4.777-100.0)	80
10 Suction bar pre-assembled curved 850mm	82
9000 Roller suction bar (4.035-339.0)	84
9002 BLADES FOR TEXTURED FLOORS (6.273-290.0)	86
16 Roller suction bar (4.035-339.0)	87
280 Squeegee Swing - Cylindrical	89
290 Steering	91
300 Tank	94
310 Vacuum	96
320 Wiring-Batteries	98
330 Wiring-Components	101
340 Battery Exchange - 1	103
350 Battery Exchange - 2	105
360 Battery Exchange - 3	107
370 Onboard Charger	109
380 Chemical Metering Solution System - Disk	111
390 Chemical Metering Solution System - Cyli	113
500 iScrub26 Serial Numbers	115

CS26 ALL MODELS GROUPS - EW (0.250-916.0)

POS	Description	Quantity	Unit
10	Bumper	1	PC
20	Console	1	PC
30	Console Mounting	1	PC
40	Control Panel - Upper	1	PC
50	Control Panel - Lower	1	PC
60	Control Panel - Chemical Solution Meteri	1	PC
70	Control Panel Mounting	1	PC
80	Decals	1	PC
90	Drive Mounting	1	PC
100	Frame	1	PC
110	Platform	1	PC
120	Platform Footbox & Rear Wheels	1	PC
130	Rear Cover	1	PC
140	Scrub Deck - Disk	1	PC
150	Scrub Deck Lift - Disk	1	PC
160	Scrub Deck Mounting - Disk	1	PC
170	Scrub Brush/Pads Driver - Disk	1	PC
180	Solution System - Disk	1	PC
190	Squeegee - Disk	1	PC
200	Squeegee Swing - Disk	1	PC
210	Squeegee Lift	1	PC
220	Scrub Deck - Cylindrical	1	PC
230	Scrub Deck Lift - Cylindrical	1	PC
240	Scrub Deck Skirts	1	PC
250	Scrub Deck Mounting - Cylindrical	1	PC
260	Solution System - Cylindrical	1	PC
270	Squeegee - Cylindrical	1	PC
280	Squeegee Swing - Cylindrical	1	PC
290	Steering	1	PC
300	Tank	1	PC
310	Vacuum	1	PC
320	Wiring-Batteries	1	PC
330	Wiring-Components	1	PC

CS26 ALL MODELS GROUPS - EW (0.250-916.0)

POS	Description	Quantity	Unit
340	Battery Exchange - 1	1	PC
350	Battery Exchange - 2	1	PC
360	Battery Exchange - 3	1	PC
370	Onboard Charger	1	PC
380	Chemical Metering Solution System - Disk	1	PC
390	Chemical Metering Solution System - Cyli	1	PC
500	iScrub26 Serial Numbers	1	PC

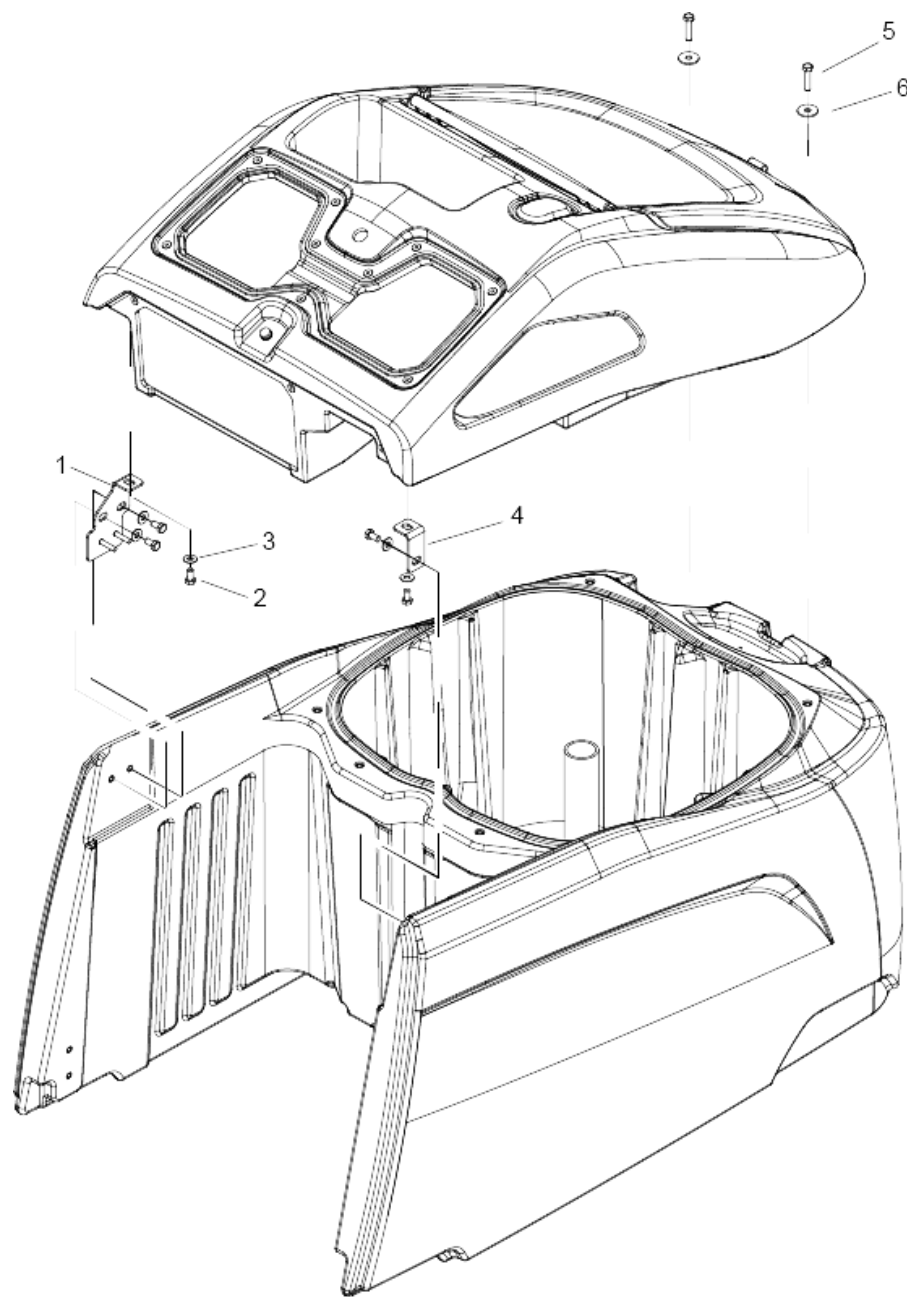


10 Bumper

POS	Article no.	Description	Quantity	Unit
1	8.636-196.0	SCREW, 5/16-18 X 3 PHTRHMS SS	2	PC
2	8.636-195.0	SCREW, 5/16-18 X 2 PHTRHMS SS	2	PC
3	8.639-965.0	BUMPER, LEFT, BLK	1	PC
4	8.639-964.0	BUMPER, RIGHT, BLK	1	PC
5	8.627-689.0	SCREW, 5/16-18 X .75 PHTRHMS SS	2	PC

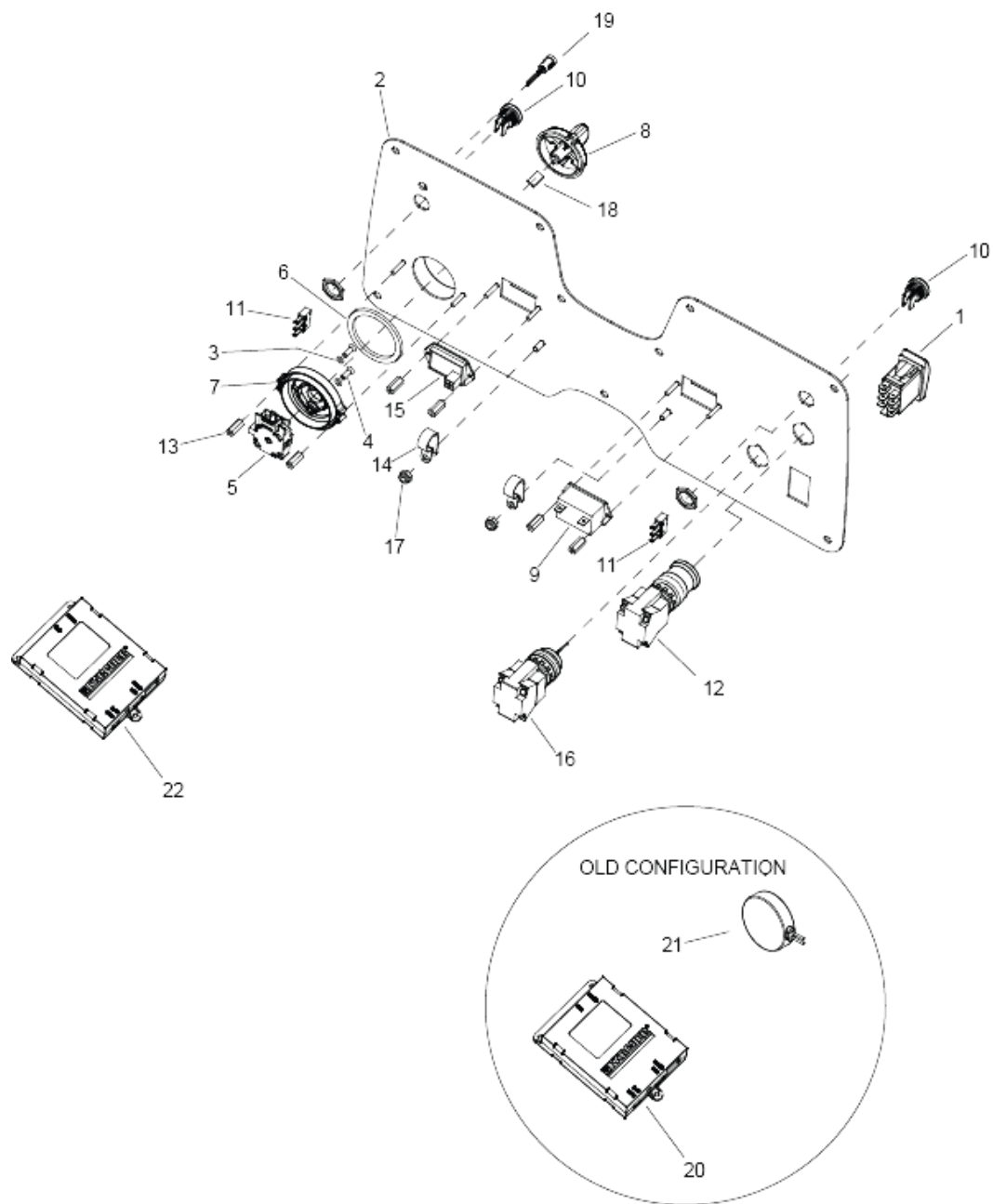
20 Console

POS	Article no.	Description	Quantity	Unit	Remark
1	8.600-562.0	NUT, 1/4-20 WELL	1	PC	
2	8.619-984.0	Cage float -1Ball	1	PC	
3	8.627-202.0	NUT, 8-32 HEXTHIN NYLOCK SS	2	PC	
4	8.636-177.0	WASHER, 1/4 FLT SS	2	PC	
5	8.636-176.0	SCREW, 1/4-20 X 1.25 RDHCARR SS	1	PC	
6	8.636-141.0	GASKET, SIGHT GLASS DOME	1	PC	
7	8.636-077.0	BRKT, RECOVERY TUBE	1	PC	
8	8.636-070.0	GASKET, .188 X .37 X 53.2	1	PC	
9	8.639-980.0	CONSOLE, GRAY, OBC/MC, CS26	1	PC	
	Item text1: OPTIONAL-CSCM26				
9	8.639-981.0	CONSOLE, GRAY, CS26	1	PC	OPTION - CSM26
9	8.639-982.0	CONSOLE, GRAY, OBC, CS26	1	PC	OPTION - CSC26
	Item text1: OPTIONAL-CSC26, CS26LI				
9	8.639-983.0	CONSOLE, GRAY, MC, CS26	1	PC	OPTION - CSCM26
	Item text1: OPTIONAL -CSM26				
10	8.600-653.0	SCREW, 1/4-20 X 1 PHPNHMS SS	2	PC	
11	8.636-026.0	SHAFT, .25 X 15.80, SS	1	PC	
12	8.636-014.0	BRKT, LID HINGE	1	PC	
13	8.635-956.0	GASKET, FLOAT SCREEN ADAPTER	1	PC	
14	8.635-922.0	GASKET, LID, 48.5"	1	PC	
15	8.639-993.0	LID, RECOVERY, BLK	1	PC	
16	8.635-909.0	ADAPTER, FLOAT SCREEN	1	PC	
17	8.635-905.0	DOME, SIGHT GLASS	1	PC	
18	8.635-902.0	BASKET, FILTER, RECOVER TANK	1	PC	
19	8.632-421.0	SCREW, 1/4-20 X .625 SCHBTNHCS BLKOX	2	PC	
20	8.632-330.0	WASHER, .23 X .63 X .093 NPRN	1	PC	
21	8.627-961.0	WASHER, 1/4 SEG SS	2	PC	
22	8.616-180.0	Snap fastener	1	PC	
23	8.627-762.0	SCREW, 8-32 X .5 HHCS SS	2	PC	
24	8.627-375.0	SCREW, 1/4-20 X .625 HHCS SS NP	1	PC	
25	8.601-065.0	WASHER, .203 X .562 X .040 FLT	2	PC	
26	8.632-957.0	SCREW, 10-32 X 1 TMS SS TL	2	PC	



30 Console Mounting

POS	Article no.	Description	Quantity	Unit
1	8.636-030.0	BRKT, CONSOLE MT LT	1	PC
2	8.627-649.0	SCREW, 5/16-18 X .625 HHCS SS	5	PC
3	8.601-067.0	WASHER, 5/16 FLT SS	5	PC
4	8.636-029.0	BRKT, CONSOLE MT RT	1	PC
5	8.636-796.0	SCREW, 5/16-18 X 1.375 HHCS SS	2	PC
6	8.636-725.0	WASHER, .344 X 1.13 X .09 SS	2	PC

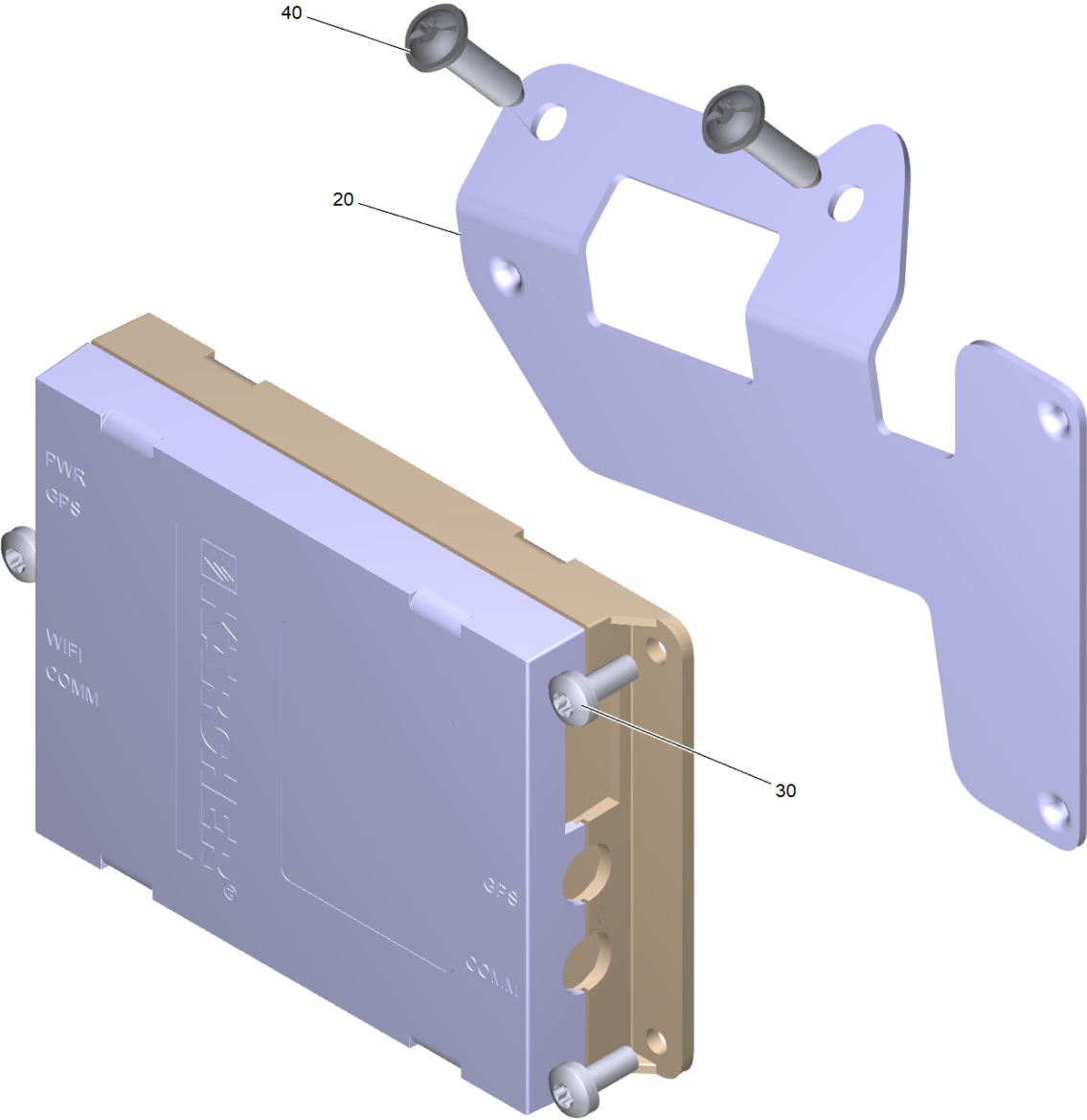


40 Control Panel - Upper

POS	Article no.	Description	Quantity	Unit	valid from	Remark
1	8.636-259.0	SWITCH, SPDT 3 POSN MON, ARROW	1	PC		
2	8.636-069.0	PANEL, CONTROL UPPER, CS26	1	PC		
3	8.635-844.0	O-RING, 4MM ID, 1.5MM THK, BUNA-N	2	PC		
4	8.635-843.0	SCREW, M4 X 12 FLHMS SS ISO7046 NP	2	PC		
5	8.635-487.0	SWITCH, ROTARY	1	PC		
6	8.635-481.0	GASKET, ROTARY SWITCH	1	PC		
7	8.635-456.0	BEZEL, ROTARY SWITCH	1	PC		
8	5.321-738.0	Handhold operational concept	1	PC		
9	8.631-547.0	METER, HOUR ICD	1	PC		
10	8.629-520.0	ASM, BUTTON, BLACK, W/BEZEL	2	PC		
11	8.629-278.0	SWITCH, MICRO	2	PC		
12	8.629-259.0	SWITCH, E-STOP AKW CHARIOT	1	PC		
13	8.625-590.0	Distance pin	6	PC		
14	8.619-846.0	CLAMP, 5/8 NYLON UL/CSA	2	PC		
15	8.601-267.0	METER, BATTERY, PG TRUE CHARGE	1	PC		Except Lithium
15	8.642-852.0	METER, BATTERY, DISCOVER LITHIUM	1	PC		LITHIUM ONLY
16	8.600-719.0	Ignition lock	1	PC		
17	8.600-564.0	NUT, 10-32 HEX NYLOCK STL GR2 ZNPLT	2	PC		
18	6.313-014.0	Spring element	1	PC		
19	8.636-710.0	LED, WATER INDICATOR	1	PC		
20	2.644-213.0	KEM Machine Connect B 110 R *EU	1	PC	4	MOUNTED ON CONSOLE WALL
21	6.682-017.0	Antenna Fleetmanagement-Modul 0,5m	1	PC	4	MOUNTED ON CONSOLE WALL
22	4.683-210.0	KEM Machine Connect modules V1.5 FC *NA	1	PC		
	Item text1: replaced by 4.683-352.0					
22	4.683-352.0	KEM Machine Connect modules V1.5-1 FC *NA	1	PC		

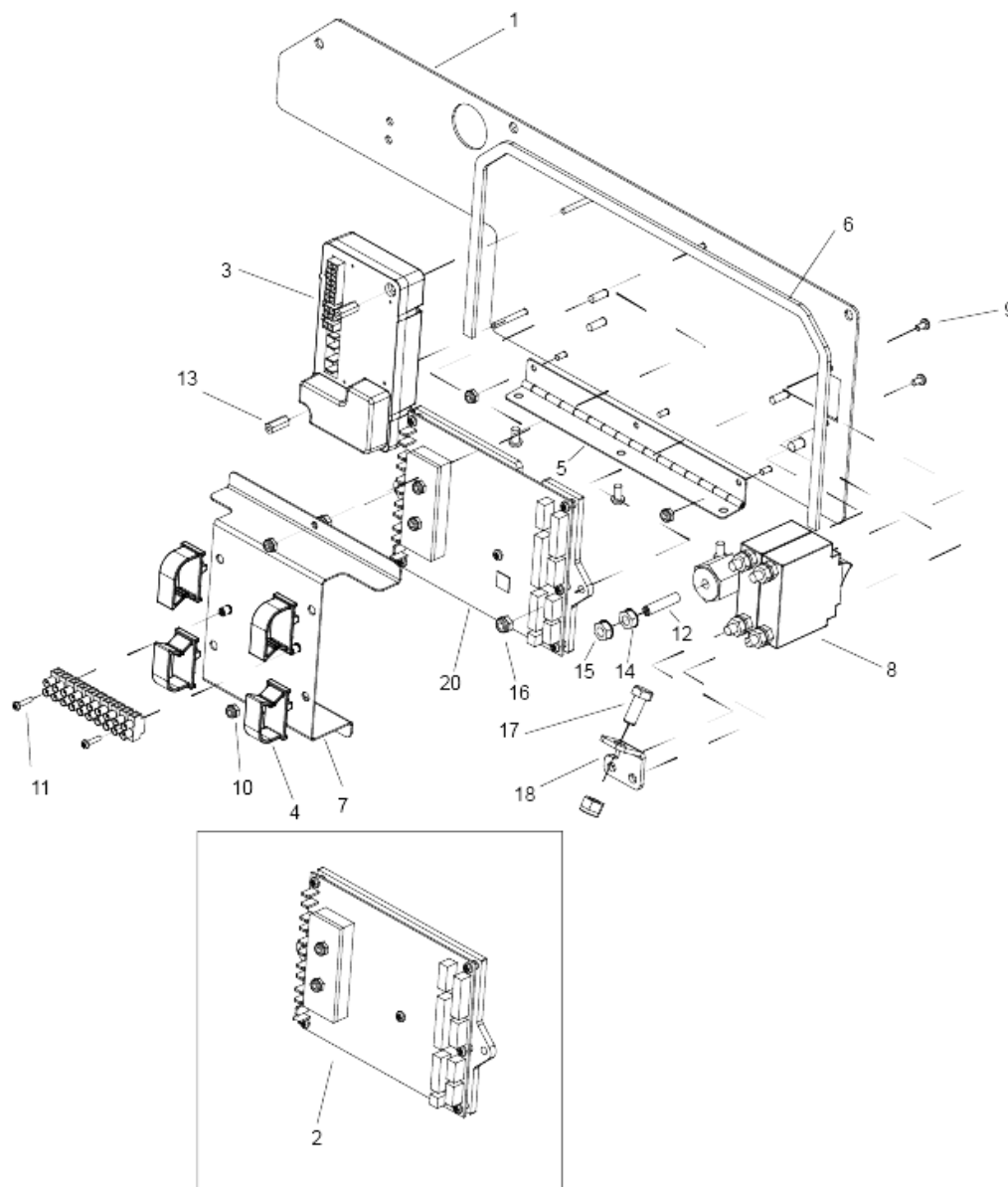
20 KEM Machine Connect B 110 R *EU (2.644-213.0)

POS	Description	Quantity	Unit
10	Kaercher Fleet services B110R	1	PC



10 Kaercher Fleet services B110R

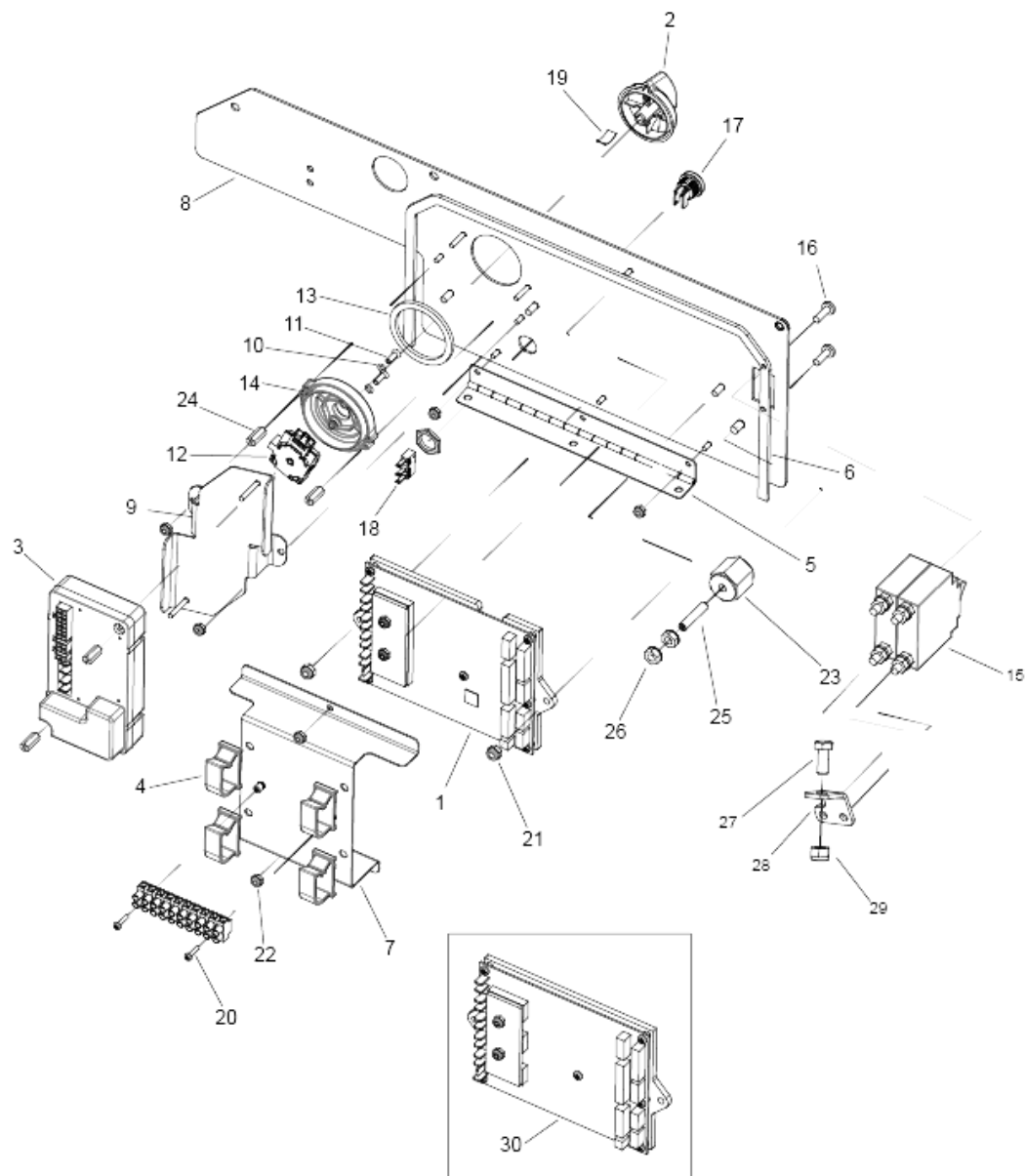
POS	Article no.	Description	Quantity	Unit
20	5.039-431.0	Retaining plate fleet management module B110	1	PC
30	7.306-206.0	Screw M4x10 -A2-70 ISO 14583	3	PC
40	7.303-108.0	Screw 5x20 -10.9-R2R (In6Rd)	2	PC



SEE SERIAL NUMBER PAGE IN SPARE PARTS LIST FOR REFERENCE

50 Control Panel - Lower

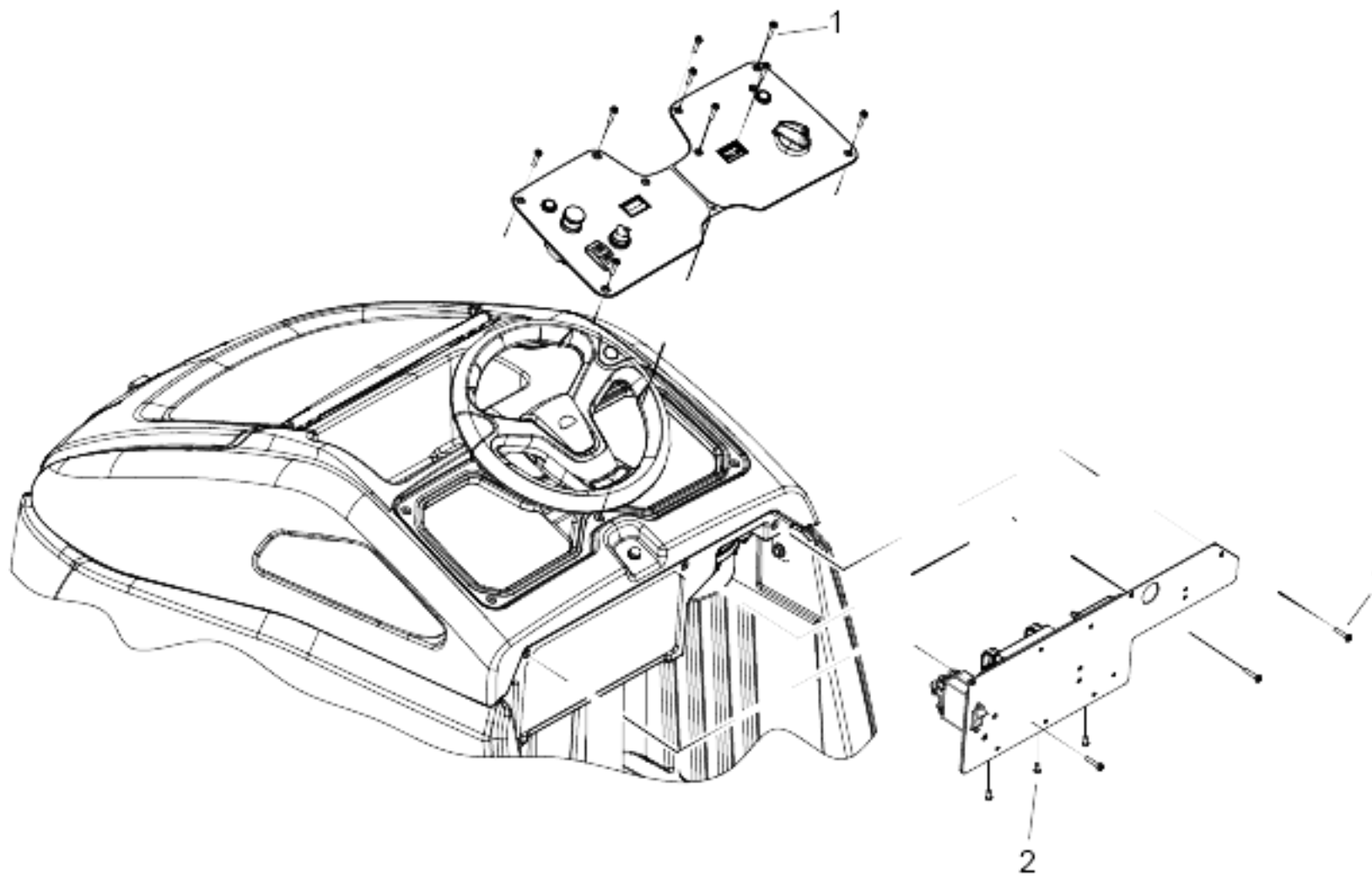
POS	Article no.	Description	Quantity	Unit	valid from	Remark
1	8.636-691.0	PANEL, LOWER, CS26	1	PC		Except Lithium
1	8.642-856.0	PANEL, LOWER, CS26 LITHIUM	1	PC		Lithium Only
2	8.642-358.0	KIT, PCB REPLACEMENT, CS26SP	1	PC		
2	8.642-361.0	KIT, PCB REPLACEMENT, CS26	1	PC		
3	8.636-187.0	CONTROLLER, I-DRIVE CS26	1	PC		Except Lithium
3	8.642-843.0	CONTROLLER, I-DRIVE CS26 LITHIUM	1	PC		Lithium Only
4	8.636-152.0	CLIP, CABLE ENTRY	4	PC		
5	8.636-142.0	HINGE, PANEL	1	PC		
6	8.636-089.0	GASKET, .188 X .31 X 24.0	1	PC		
7	8.636-088.0	COVER, CONTROL BOARD	1	PC		
8	8.636-902.0	Circuit breaker 60 AMP 2-POLE TUV CSA UL	1	PC		
9	8.600-662.0	SCREW, 6-32 X .25 PHPNHMS SS	2	PC		
10	8.627-092.0	NUT, 6-32 HEX NYLOCK SS	4	PC		
11	8.627-526.0	SCREW, 4-40 X .5 PHPNHMS STL ZNPLT	2	PC		
12	8.625-591.0	STANDOFF, 1/4-20 X 1.0 HEX INS	1	PC		
13	8.625-590.0	Distance pin	2	PC		
14	8.600-685.0	SCREW, 1/4-20 X 1.25 SCHSET CP SS	1	PC		
15	8.600-571.0	NUT, 1/4-20 HEXSTRW LK STL ZNPLT	4	PC		
16	8.600-564.0	NUT, 10-32 HEX NYLOCK STL GR2 ZNPLT	2	PC		
17	8.600-676.0	SCREW, 5/16-18 X .75 HHCS	1	PC		
18	8.636-948.0	BRKT, CABLE ATTACHMENT	1	PC		
19	8.627-191.0	Nut 5/16-18 FLEX LK STL GRA ZNPLT	1	PC		
20	8.641-619.0	KIT, PCB REPLACEMENT, CS26 TELEMATICS	1	PC	4	DISK
20	8.641-673.0	KIT, PCB REPLACEMENT, CS26SP TELEMATICS	1	PC	4	CYLINDRICAL



SEE SERIAL NUMBER PAGE IN SPARE PARTS LIST FOR REFERENCE

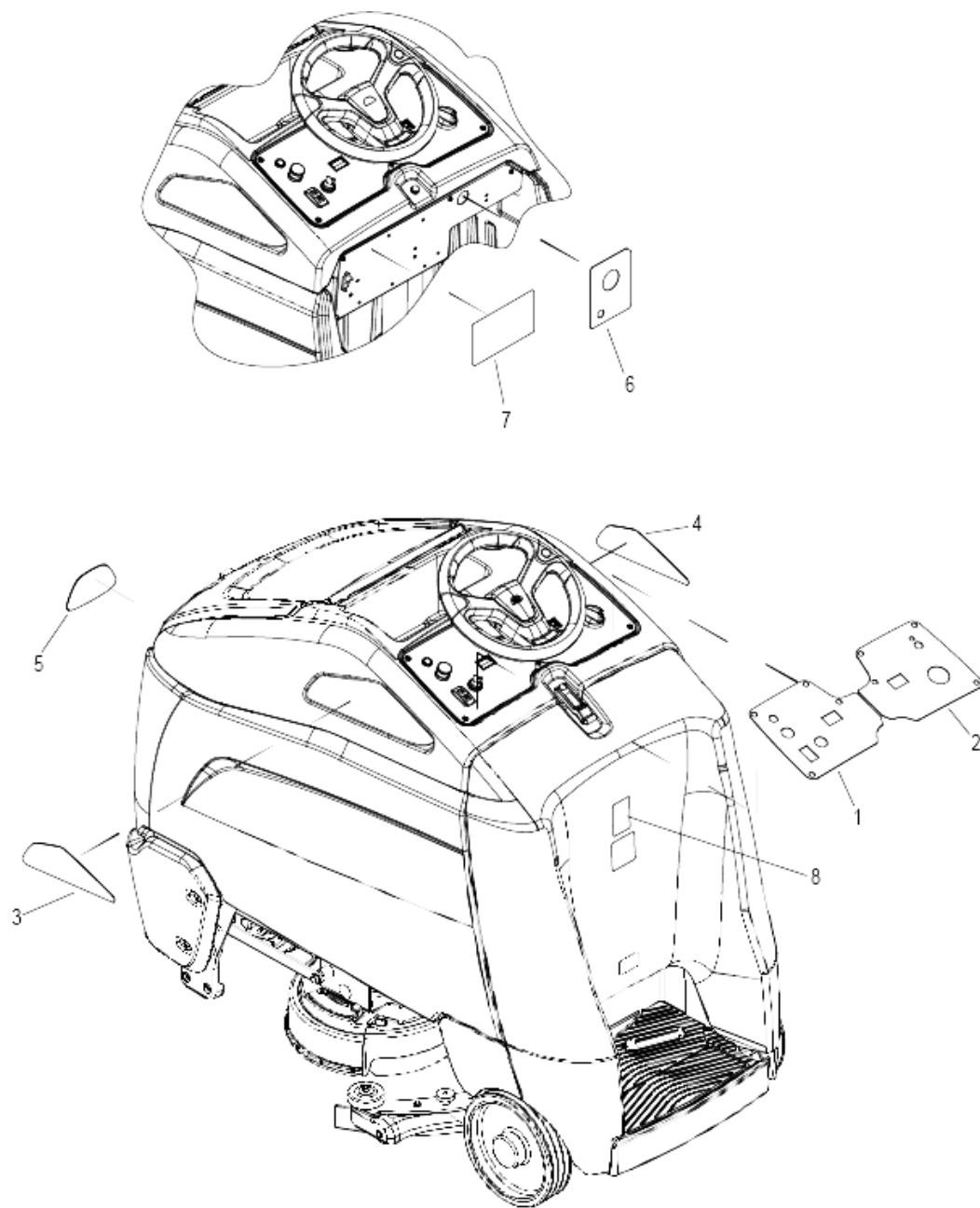
60 Control Panel - Chemical Solution Meteri

POS	Article no.	Description	Quantity	Unit	valid from	Remark
1	8.641-619.0	KIT, PCB REPLACEMENT, CS26 TELEMATICS	1	PC	4	DISK
1	8.641-673.0	KIT, PCB REPLACEMENT, CS26SP TELEMATICS	1	PC	4	CYLINDRICAL
2	5.321-738.0	Handhold operational concept	1	PC		
3	8.636-187.0	CONTROLLER, I-DRIVE CS26	1	PC		
4	8.636-152.0	CLIP, CABLE ENTRY	4	PC		
5	8.636-142.0	HINGE, PANEL	1	PC		
6	8.636-089.0	GASKET, .188 X .31 X 24.0	1	PC		
7	8.636-088.0	COVER, CONTROL BOARD	1	PC		
8	8.636-087.0	PANEL, LOWER, MC CS26	1	PC		
9	8.636-028.0	BRKT, CONTROLLER	1	PC		
10	8.635-844.0	O-RING, 4MM ID, 1.5MM THK, BUNA-N	2	PC		
11	8.635-843.0	SCREW, M4 X 12 FLHMS SS ISO7046 NP	2	PC		
12	8.635-487.0	SWITCH, ROTARY	1	PC		
13	8.635-481.0	GASKET, ROTARY SWITCH	1	PC		
14	8.635-456.0	BEZEL, ROTARY SWITCH	1	PC		
15	8.636-902.0	Circuit breaker 60 AMP 2-POLE TUV CSA UL	1	PC		
16	8.600-662.0	SCREW, 6-32 X .25 PHPNHMS SS	2	PC		
17	8.629-520.0	ASM, BUTTON, BLACK, W/BEZEL	1	PC		
18	8.629-278.0	SWITCH, MICRO	1	PC		
19	6.313-014.0	Spring element	1	PC		
20	8.627-526.0	SCREW, 4-40 X .5 PHPNHMS STL ZNPLT	2	PC		
21	8.600-564.0	NUT, 10-32 HEX NYLOCK STL GR2 ZNPLT	2	PC		
22	8.627-092.0	NUT, 6-32 HEX NYLOCK SS	6	PC		
23	8.625-591.0	STANDOFF, 1/4-20 X 1.0 HEX INS	1	PC		
24	8.625-590.0	Distance pin	4	PC		
25	8.600-685.0	SCREW, 1/4-20 X 1.25 SCHSET CP SS	1	PC		
26	8.600-571.0	NUT, 1/4-20 HEXSTRW LK STL ZNPLT	2	PC		
27	8.600-676.0	SCREW, 5/16-18 X .75 HHCS	1	PC		
28	8.636-948.0	BRKT, CABLE ATTACHMENT	1	PC		
29	8.627-191.0	Nut 5/16-18 FLEX LK STL GRA ZNPLT	1	PC		
30	8.642-358.0	KIT, PCB REPLACEMENT, CS26SP	1	PC		DISK
30	8.642-361.0	KIT, PCB REPLACEMENT, CS26	1	PC		CYLINDRICAL



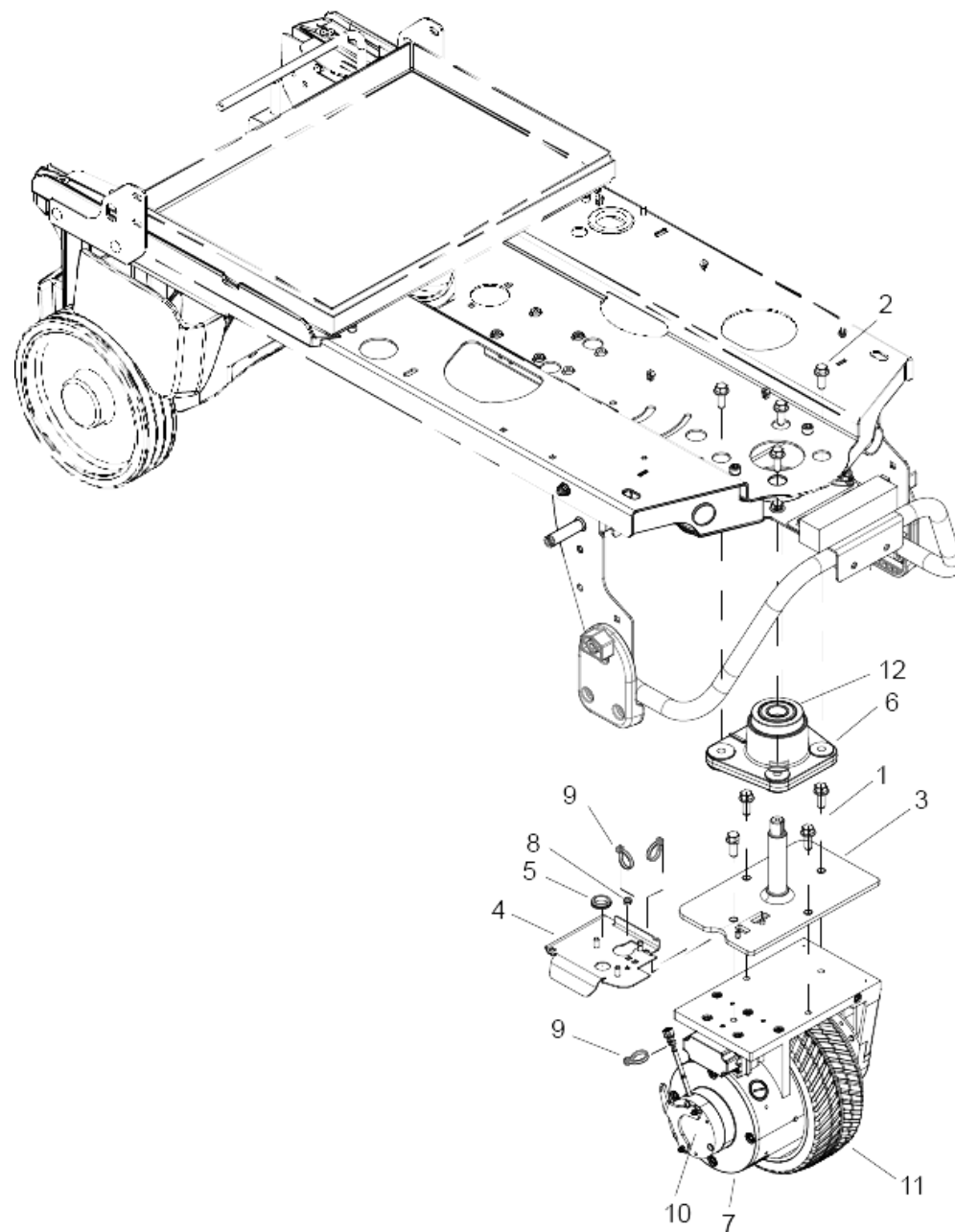
70 Control Panel Mounting

POS	Article no.	Description	Quantity	Unit
1	8.637-141.0	SCREW, 10-32 X .75 TMS SS BLK	12	PC
2	8.617-298.0	SCREW, KA50 X 10 OVHCS STL WN1412 ZNPLT	3	PC



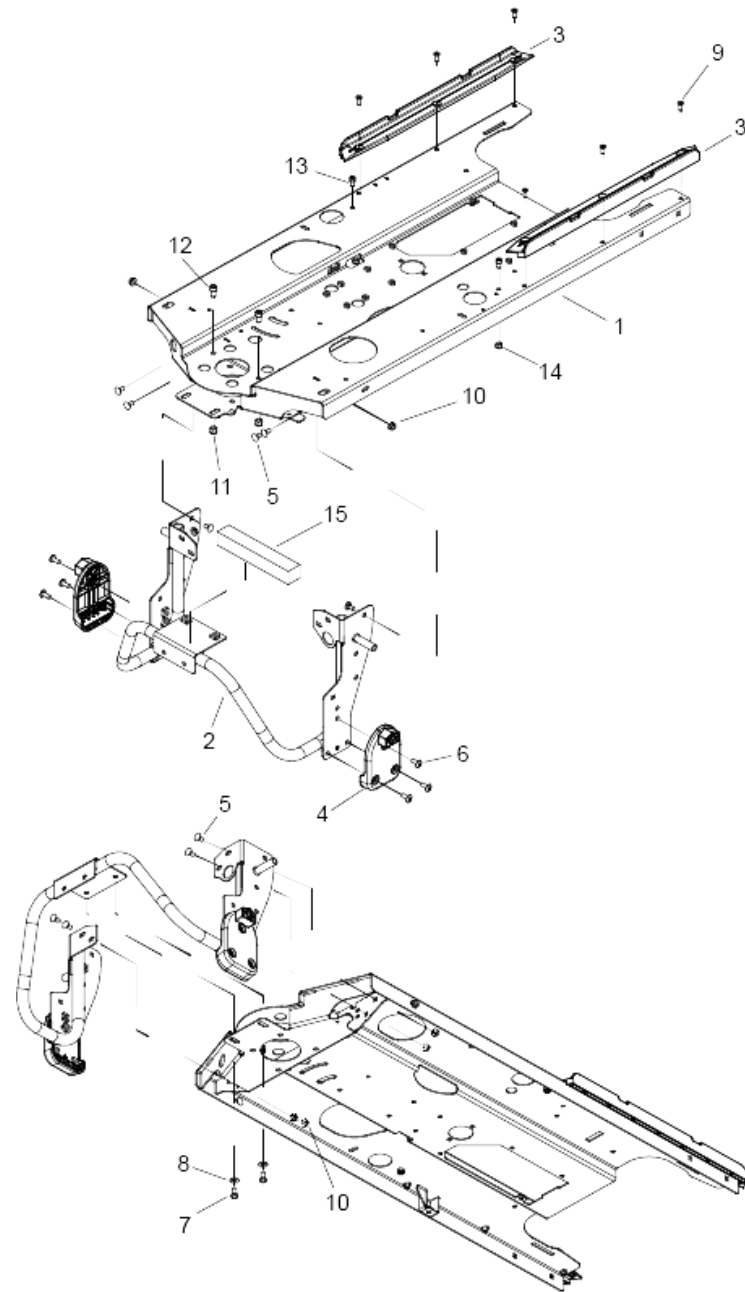
80 Decals

POS	Article no.	Description	Quantity	Unit	Remark
1	8.644-059.0	Control panel label CS26 left Karcher	1	PC	
2	8.639-542.0	LABEL, CS26 CONTROL, RIGHT	1	PC	
3	8.639-543.0	LABEL, CS26, SIDE, LEFT	1	PC	DISK
3	8.639-544.0	Label, CS26 SP, Side, Left	1	PC	CYLINDRICAL
4	8.639-545.0	LABEL, CS26, SIDE, RIGHT	1	PC	DISK
4	8.639-546.0	Label, CS26 SP, Side, Right	1	PC	CYLINDRICAL
5	8.633-516.0	LABEL, KARCHER FRONT	1	PC	
6	8.639-547.0	LABEL, CHEMICAL METERING	1	PC	OPTIONAL
7	8.636-294.0	LABEL, BATTERY CABLING	1	PC	Except Lithium
7	8.642-863.0	LABEL, WARNING, LITHIUM	1	PC	Lithium Only
8	8.643-129.0	Label QR code iScrub 26	1	PC	
8	8.643-130.0	Label QR code iScrub 26 SP	1	PC	



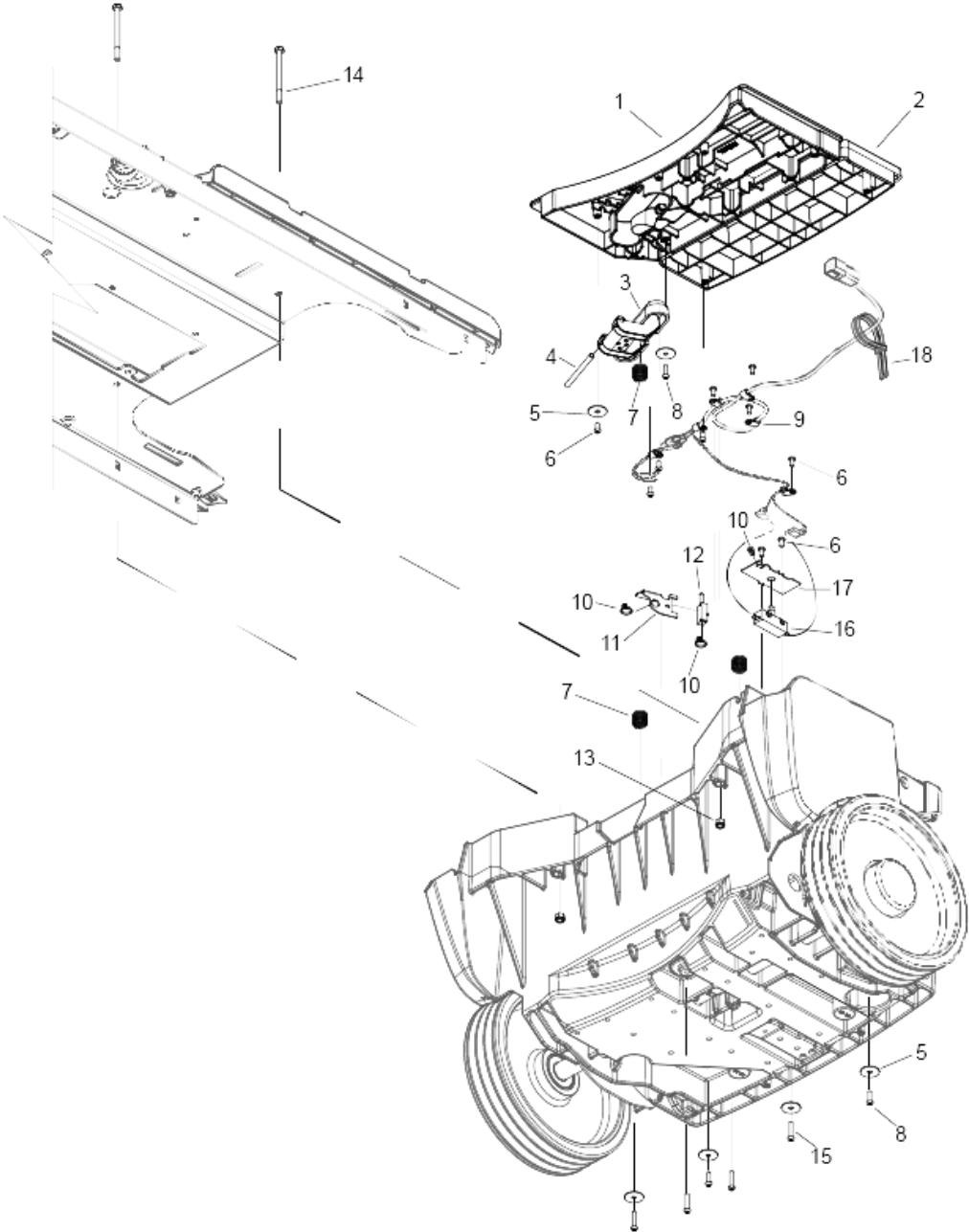
90 Drive Mounting

POS	Article no.	Description	Quantity	Unit	Remark
-	6.613-231.0	Carbon brush set	1	PC	
1	8.636-614.0	SCREW, M10-1.25 X 25 HWHCS	4	PC	
2	8.636-613.0	SCREW, 3/8-16 X 1 HWHCSSERFLG GR8	4	PC	
3	8.636-413.0	ASM, SHAFT DRIVE MOTOR	1	PC	
4	8.636-107.0	BRKT, WIRING, DRIVE UNIT	1	PC	
5	8.621-836.0	GROMMET, 3/4 ID X 7/8 GROOVE	1	PC	
6	8.635-787.0	ASM, BEARING BLOCK, FRT DRIVE	1	PC	COMPLETE
7	8.635-712.0	DRIVE WHEEL, 36VDC	1	PC	COMPLETE
8	8.627-099.0	NUT, 10-32 HEX NYLOCK SS	1	PC	
9	8.626-494.0	Cable tie 11.38" UL/CSA	3	PC	
10	8.635-713.0	BRAKE, 36 VDC	1	PC	
11	6.435-854.0	Tire wheel drive motor	1	PC	
12	8.622-398.0	Ball bearing 52x25x15	2	PC	



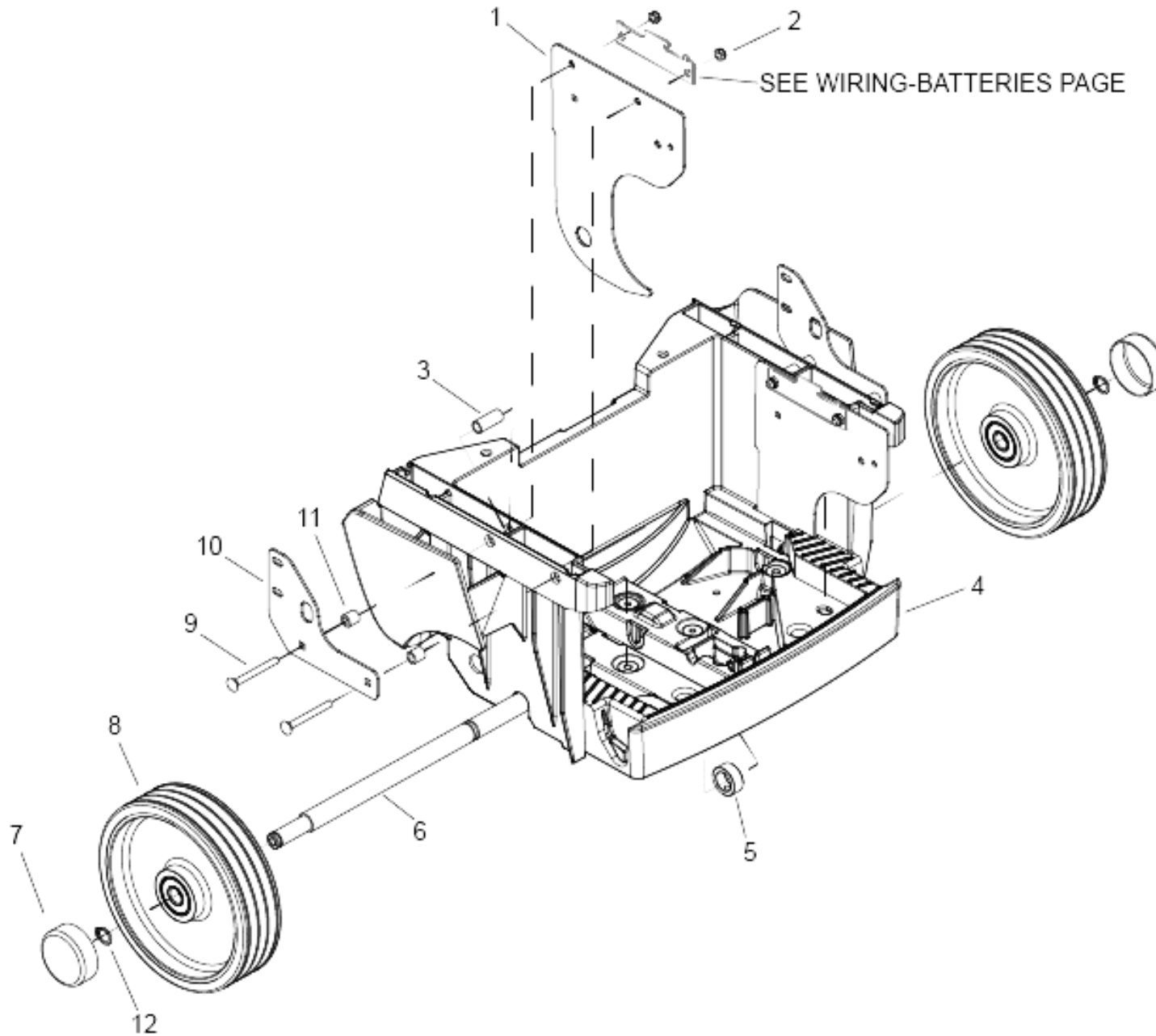
100 Frame

POS	Article no.	Description	Quantity	Unit
1	8.636-082.0	ASSY, MAIN SUPPORT, CS26	1	PC
2	8.636-071.0	ASM, WHEEL GUARD	1	PC
3	8.635-819.0	GLIDE, BATTERY TRAY	2	PC
4	8.635-795.0	PAD, TIP	2	PC
5	8.627-741.0	SCREW, 5/16-18 X .625 CARR SS	6	PC
6	8.627-689.0	SCREW, 5/16-18 X .75 PHTRHMS SS	6	PC
7	8.627-649.0	SCREW, 5/16-18 X .625 HHCS SS	2	PC
8	8.601-067.0	WASHER, 5/16 FLT SS	2	PC
9	8.640-081.0	SCREW, 1/4-20 X .75 PHFLHMS SS	6	PC
10	8.636-824.0	NUT, 5/16-18, FLG NYLOCK SS	6	PC
11	8.636-121.0	SCREW, 3/8-16 X .625 SCHCS STL BLKOX	2	PC
12	8.600-577.0	NUT, 3/8-16 HEX NYLOCK STL GR2 ZNPLT	2	PC
13	8.600-664.0	SCREW, 5/16-18 X .5 SCHCS ZN NP	2	PC
14	8.627-083.0	NUT, 5/16-18 HEX NYLOCK SS	2	PC
15	8.636-873.0	FOAM,ADH BACKED 1-SIDE,6X11/2X11/2	1	PC



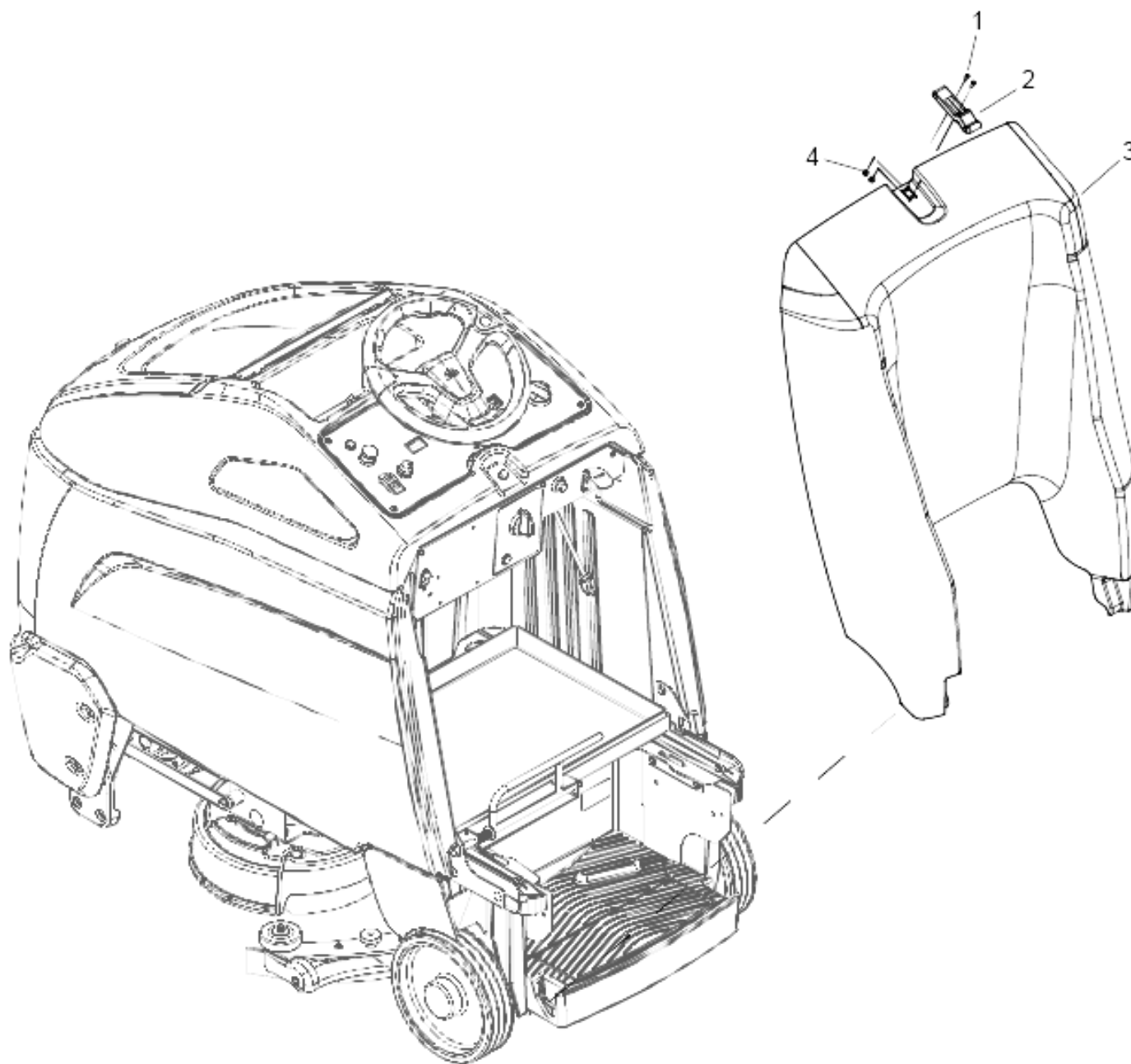
110 Platform

POS	Article no.	Description	Quantity	Unit
1	8.639-967.0	PLATFORM, OPERATOR, BLK	1	PC
2	8.633-424.0	PEDAL, HEEL, BLK	1	PC
3	8.633-469.0	PEDAL, ACCELERATOR, YEL	1	PC
4	8.636-117.0	PIN, DOWEL, 1/4 X 3.125 STL	1	PC
5	8.627-917.0	WASHER, 10 FLT	6	PC
6	8.617-298.0	SCREW, KA50 X 10 OVHCS STL WN1412 ZNPLT	10	PC
7	8.625-497.0	SPRING, COMP 18MMOD X 83 X 2	3	PC
8	7.303-104.0	Screw 5x16 -A2-70 (IN6RD)	3	PC
9	8.619-845.0	CLAMP, 5/16 dia NYLON	6	PC
10	8.626-493.0	CABLE TIE, 3.5" UL/CSA	2	PC
11	8.636-106.0	BRKT, POT. ACCEL PEDAL	1	PC
12	8.631-156.0	POTENTIOMETER ASM, LINEAR	1	PC
13	8.627-187.0	NUT, 1/4-20 HEXTHIN NYLOCK SS	2	PC
14	8.600-701.0	SCREW, 1/4-20 X 3.25 HHCS STL GR5 ZNPLT	2	PC
15	8.632-791.0	SCREW, KA50 X 25 PTOVHS STL WN1412 ZNPLT	4	PC
16	8.645-273.0	Switch snap ACT SPST-NO 25A 125V	1	PC
17	8.636-116.0	PLATE, SWITCH COVER	1	PC
18	8.626-494.0	Cable tie 11.38" UL/CSA	2	PC



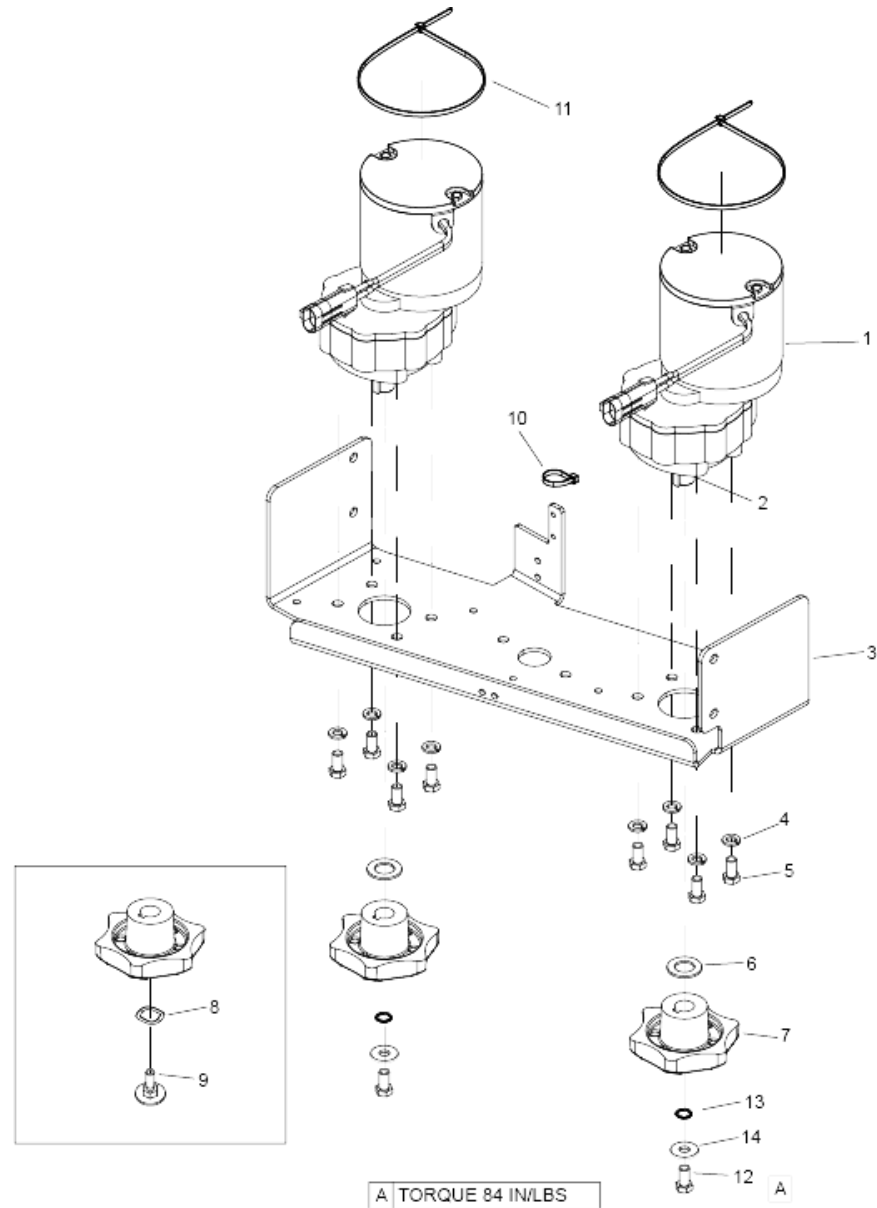
120 Platform Footbox & Rear Wheels

POS	Article no.	Description	Quantity	Unit
1	8.636-113.0	PLATE, PLATFORM SUPPORT	2	PC
2	8.627-184.0	NUT, 5/16-18 HEXTHIN NYLOCK SS	4	PC
3	8.636-114.0	SPACER, 1.50 X .625OD X .065" WALL	4	PC
4	8.639-962.0	FOOTBOX, OPERATOR PLATFORM	1	PC
5	8.636-112.0	COLLAR, SHFT 1"ID X 1-5/8"OD X 5/8"	1	PC
6	8.635-799.0	AXLE, REAR	1	PC
7	8.623-213.0	Cap 2.75 ID X 1.0 L BLK VINYL	2	PC
8	8.633-552.0	Wheel 10x 2.5	2	PC
9	8.632-649.0	SCREW, 5/16-18 X 3 CARR SS	4	PC
10	8.636-115.0	PLATE, TANK SUPPORT	2	PC
11	8.622-432.0	Spacer washer	4	PC
12	8.600-871.0	WASHER, 3/4 HVYSPL	2	PC



130 Rear Cover

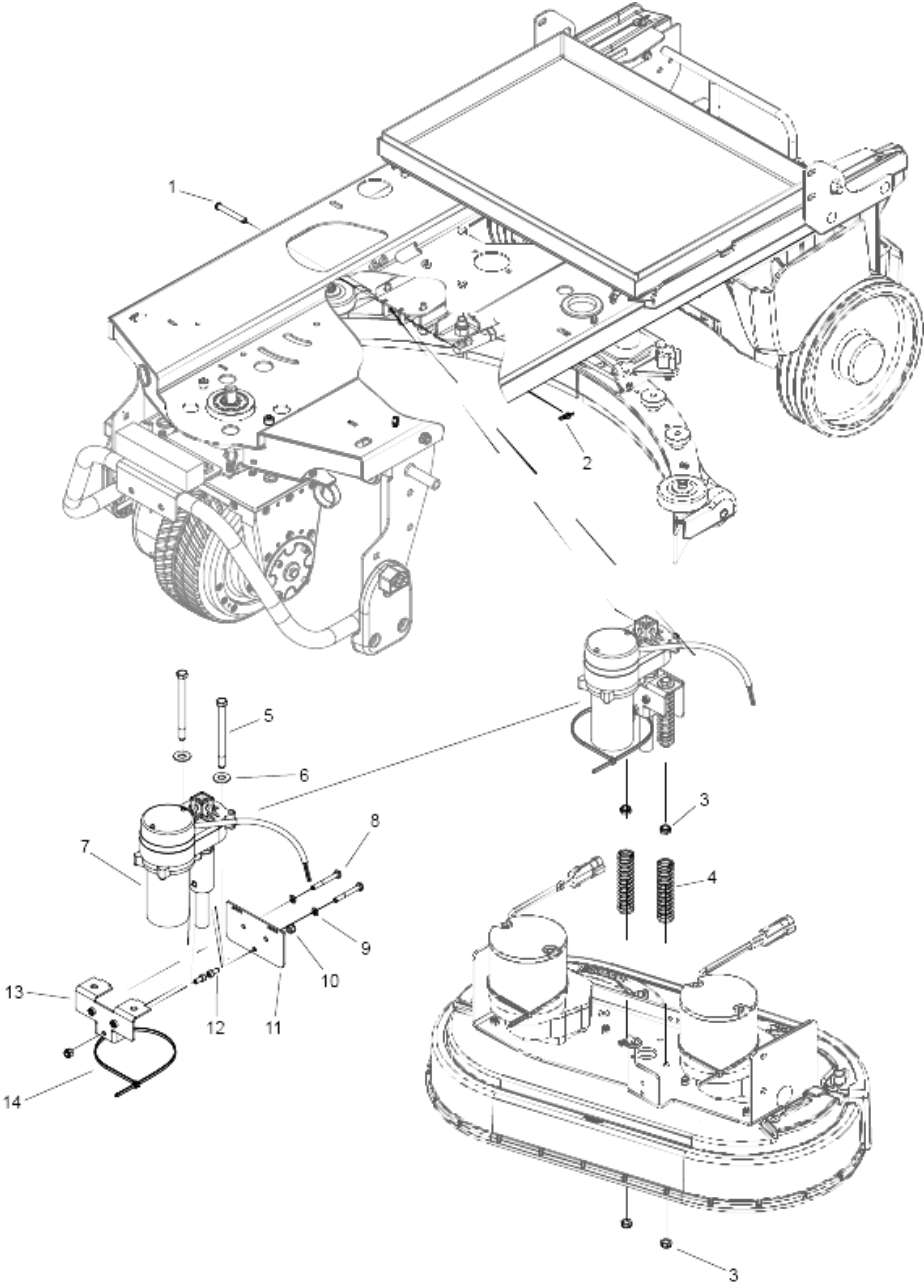
POS	Article no.	Description	Quantity	Unit
1	8.627-762.0	SCREW, 8-32 X .5 HHCS SS	2	PC
2	8.616-180.0	Snap fastener	1	PC
3	8.639-996.0	PANEL, REAR COVER, BLK	1	PC
4	8.627-202.0	NUT, 8-32 HEXTHIN NYLOCK SS	2	PC



SEE SERIAL NUMBER PAGE IN OPERATOR'S MANUAL FOR REFERENCE

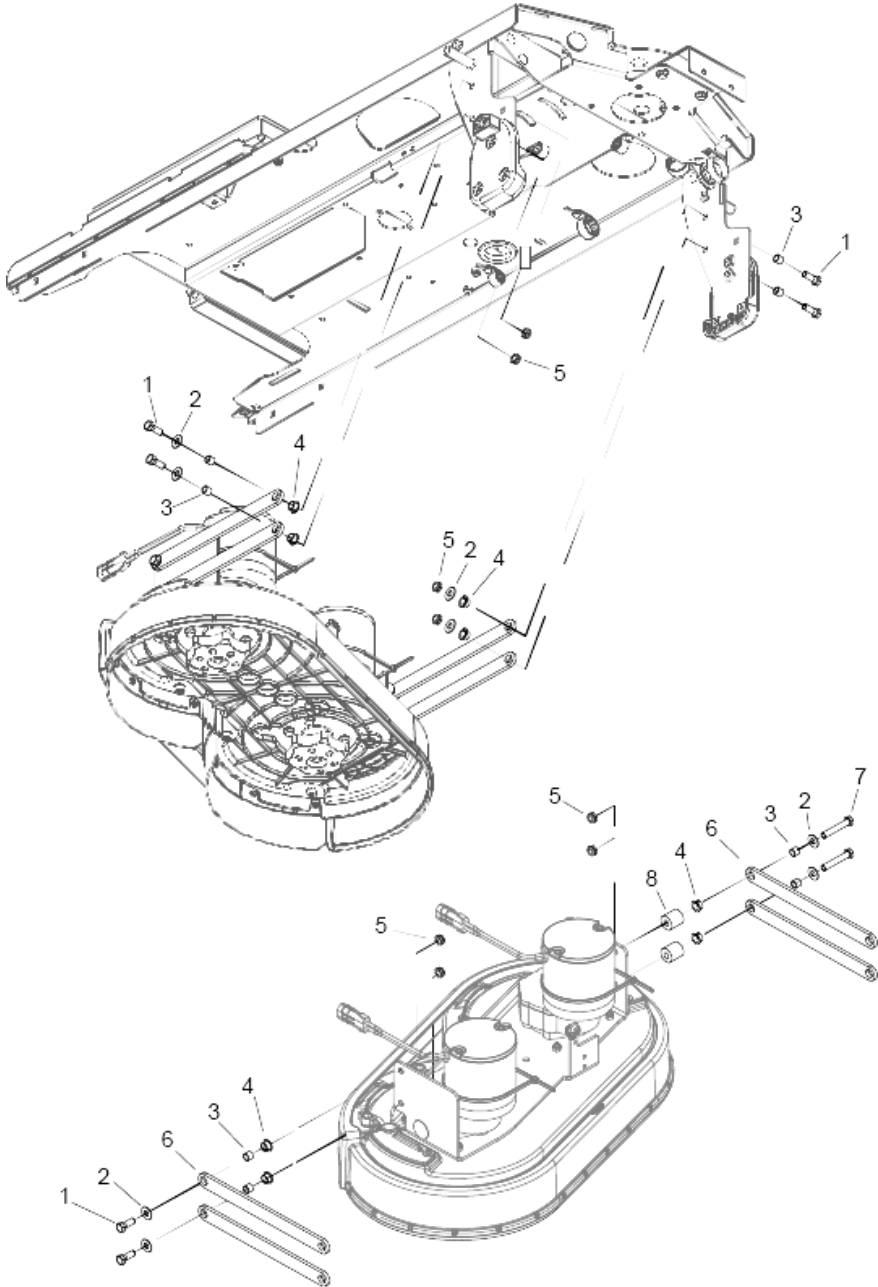
140 Scrub Deck - Disk

POS	Article no.	Description	Quantity	Unit	valid from	Remark
-	8.636-829.0	BRUSH SET, 86361810 MOTOR	1	PC		
1	8.636-181.0	MOTOR ASM, 36VDC 300RPM GEAR	2	PC		
2	8.600-871.0	WASHER, 3/4 HVYSPL	2	PC		SNAP RING INCLUDED WITH MOTOR ASSEMBLY
Item text1: SNAP RING INCLUDED WITH MOTOR ASSEMBLY						
3	8.636-158.0	PLATE, MOTOR MOUNT	1	PC		
4	8.601-079.0	WASHER, 3/8 SPL STL ZNPLT	8	PC		
5	8.627-697.0	SCREW, 3/8-16 X .75 HHCS SS	8	PC		
6	8.627-953.0	WASHER, .765 X 1.312 X .09 SS	2	PC		
7	8.600-342.0	DRIVER, BRUSH SD	2	PC		
8	8.639-226.0	WASHER, 3/4 WV STL	2	PC		
9	8.639-227.0	ASM, SCR, TENSION, 5/16	2	PC		
10	8.626-494.0	Cable tie 11.38" UL/CSA	1	PC		
11	8.600-283.0	Cable tie .375 X 24.7	2	PC		
12	8.627-678.0	SCREW, 5/16-18 X .75 HHCS SS	2	PC	2	
13	8.627-963.0	WASHER, 5/16 X 1.13 X .09 FLT	2	PC	2	
14	8.639-782.0	SPRING, 25 X 30 X 4.19mm WV	2	PC	2	



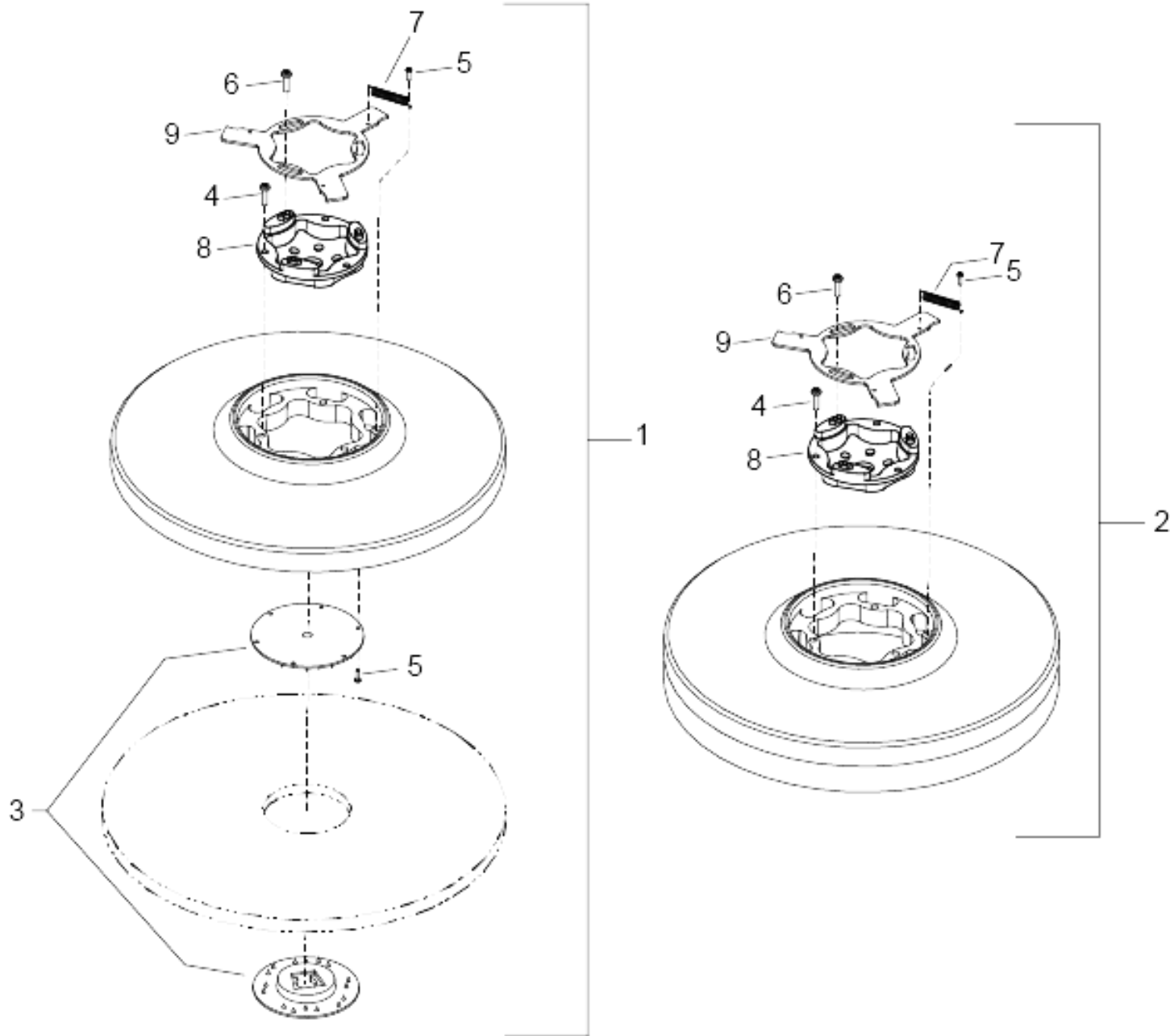
150 Scrub Deck Lift - Disk

POS	Article no.	Description	Quantity	Unit
1	8.636-544.0	PIN, CLEVIS 5/16 X 2.25 STL ZNPLT	1	PC
2	8.600-866.0	Cotter 5/16" RING	1	PC
3	8.600-563.0	NUT, 3/8-16 HEXTHIN NYLOCK SS	4	PC
4	8.625-545.0	SPRING, COMP .96D X 4.0L X .135W	2	PC
5	8.627-551.0	SCREW, 3/8-16 X 4.5 HHCS STL GR5 ZNPLT	2	PC
6	8.601-077.0	WASHER, 7/16 X1 X .08 FLT SS	2	PC
7	8.601-195.0	Actuator, 36vdc 3.5 Strk	1	PC
8	8.627-385.0	SCREW, 1/4-20 X 2 HHCS SS	2	PC
9	8.601-078.0	WASHER, 1/4 SPL STL ZNPLT	2	PC
10	8.627-187.0	NUT, 1/4-20 HEXTHIN NYLOCK SS	2	PC
11	8.636-171.0	PLATE, ACT SPG, DECK, CS26	1	PC
12	8.627-411.0	SCREW, 1/4-20 X .5 SCHCS SS	2	PC
13	8.636-172.0	BRKT, ACT SPGS, DECK, CS26	1	PC
14	8.600-283.0	Cable tie .375 X 24.7	1	PC



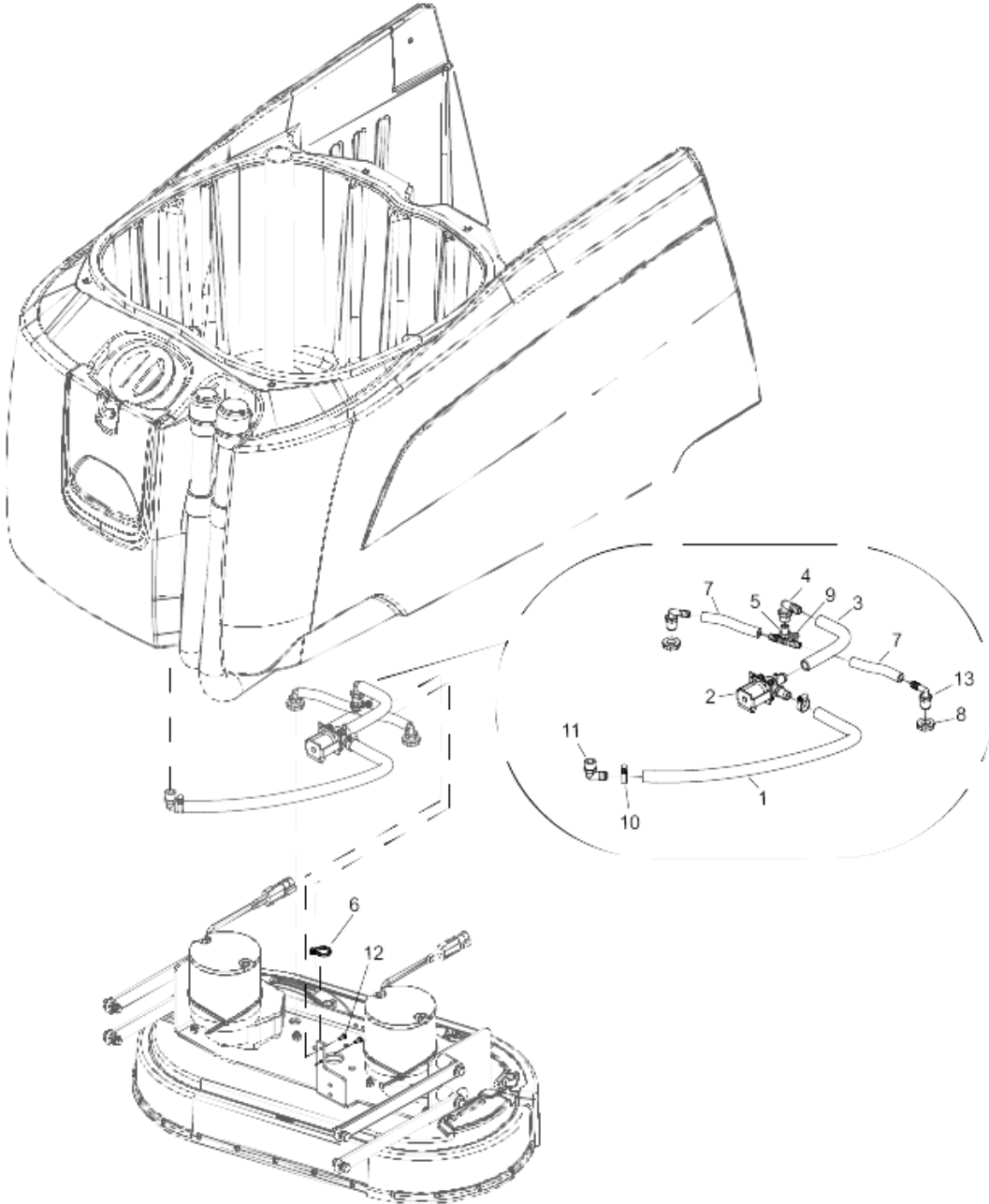
160 Scrub Deck Mounting - Disk

POS	Article no.	Description	Quantity	Unit
1	8.627-692.0	SCREW, 3/8-16 X 1 HHCS SS NP	6	PC
2	8.627-891.0	WASHER, 3/8 SS	8	PC
3	8.600-846.0	Spacer washer	8	PC
4	8.600-905.0	BUSHING, 1/2 X .344 NYL	8	PC
5	8.600-563.0	NUT, 3/8-16 HEXTHIN NYLOCK SS	8	PC
6	8.636-157.0	LINKAGE, DECK, 1.00 X .25THK	4	PC
7	8.627-647.0	SCREW, 3/8-16 X 2.25 HHCS SS	2	PC
8	8.622-438.0	SPACER, 1 OD X .391 ID X 1.063	2	PC



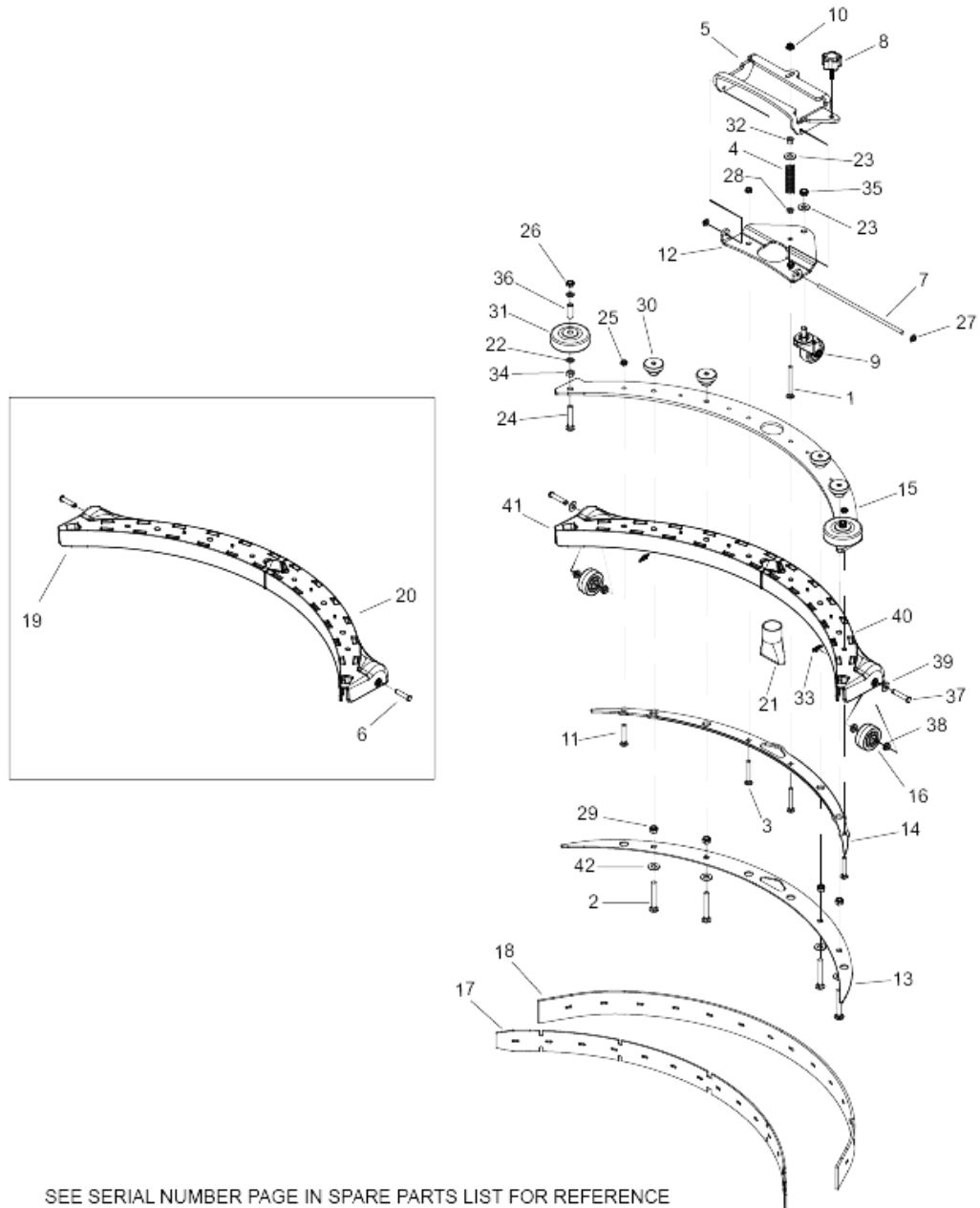
170 Scrub Brush/Pads Driver - Disk

POS	Article no.	Description	Quantity	Unit
1	8.600-021.0	Pad driver 13" SD	2	PC
2	8.600-022.0	Brush	2	PC
2	8.600-023.0	Brush	2	PC
2	8.600-024.0	Brush 13" MILD GRIT SD U19982	2	PC
3	8.600-507.0	Lock PAD CENTER SNAP,TWO STEP	1	PC
4	8.627-659.0	SCREW, 12-11 X 1 PHPNHMS SS TYPEA	3	PC
5	8.627-658.0	SCREW, 8-32 X .75 PHPNHMS SS	4	PC
6	8.627-660.0	SCREW, 10-12 X .75 PHTRHSMS SS TYPEA	3	PC
7	8.600-791.0	Spring EXT .31D X 2.0L X .03W	1	PC
8	8.600-728.0	Connection piece transmission brush	1	PC
9	8.600-594.0	Plate BRUSH RELEASE	1	PC



180 Solution System - Disk

POS	Article no.	Description	Quantity	Unit
1	8.628-091.0	HOSE, 1/2ID WIRE BOUND X 23"	1	PC
2	8.636-610.0	VALVE, 36V SOL, 1/2 BARB	1	PC
3	8.636-397.0	HOSE, 1/2ID WIREBOUND X 8.25"	1	PC
4	8.636-298.0	ELBOW, 1/4FPT X 1/2BARB 90 DEG NYL	1	PC
5	8.636-297.0	TEE, 1/4 MPT X 3/8 BARBS, NYL	1	PC
6	8.626-494.0	Cable tie 11.38" UL/CSA	1	PC
7	8.628-133.0	HOSE, 3/8ID WIRE BOUND X 4"	2	PC
8	8.627-183.0	NUT, 3/8-16 LK NYL BLK	2	PC
9	8.626-494.0	Cable tie 11.38" UL/CSA	1	PC
10	8.623-315.0	CLAMP, 3/8 HOSE (D-SLOT)	2	PC
11	8.619-794.0	HOSEBARB, 3/8MPTX1/2 90D DL	1	PC
12	8.600-652.0	SCREW, 8-32 X .375 PHPNHMS SS	2	PC
13	8.600-155.0	Hose connection	2	PC



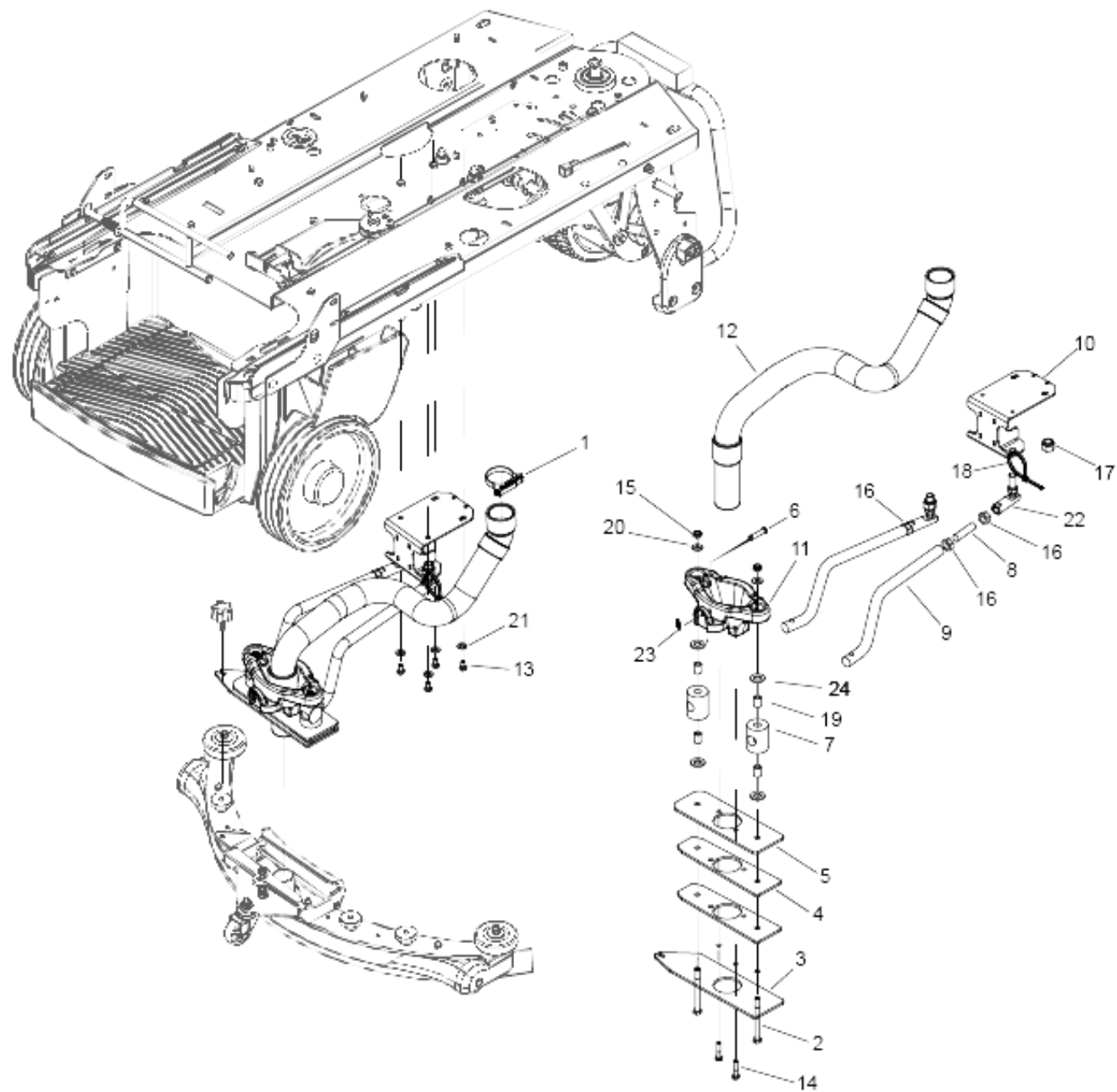
SEE SERIAL NUMBER PAGE IN SPARE PARTS LIST FOR REFERENCE

190 Squeegee - Disk

POS	Article no.	Description	Quantity	Unit	valid from	Remark
-	8.637-220.0	SQUEEGEE ASM, CS26	1	PC		COMPLETE
	Item text1: COMPLETE					
1	8.636-780.0	SCREW, 1/4-20 X 2.75 CARR SS	1	PC		
2	8.636-409.0	SCREW, 5/16-18 X 2.5 CARR SS	4	PC		
3	8.636-408.0	SCREW, 1/4-20 X 2 CARR SS	2	PC		
4	8.636-310.0	SPRING, 2.5" X .66 OD COMP	1	PC		
5	8.636-307.0	PLATE, SLIDE, SQUEEGEE BASE	1	PC		
6	7.777-999.0	Stockpiling discontinued	2	PC		
7	8.636-242.0	ROD, 1/4" OD 9.13 LG, SS	1	PC		
8	8.636-240.0	HANDLE, 1/4-20 X 1" LG STUD	1	PC		
9	8.636-239.0	CASTER, SWIVEL, 2" WHEEL	1	PC		
10	8.636-031.0	NUT, 1/4-20 FLG NYLOCK SS	1	PC		
11	8.635-983.0	SCREW, 1/4-20 X 1.75 RDHCARR SS	2	PC		
12	8.635-963.0	PLATE, BASE, SQUEEGEE	1	PC		
13	8.635-962.0	PLATE, SQUEEGEE, BOTTOM, HLDR	1	PC		
14	8.635-961.0	PLATE, SQUEEGEE, BOTTOM	1	PC		
15	8.635-960.0	PLATE, SQUEEGEE, TOP	1	PC		
16	8.635-959.0	WHEEL, 2.0 OD X .31 ID X .875 GRY	2	PC		
17	8.635-958.0	BLADE, SQUEEGEE, FRONT	1	PC		
17	8.639-156.0	BLADE, SQG, FRONT, 36 X URE	1	PC		OPTIONAL
18	8.635-957.0	BLADE, SQUEEGEE, REAR	1	PC		
18	8.639-157.0	BLADE, SQG, REAR, 40 X URE	1	PC		OPTIONAL
19	8.641-210.0	KIT, SQUEEGEE FRAME, RH	1	PC		
20	8.641-209.0	KIT, SQUEEGEE FRAME, LH	1	PC		
21	8.635-859.0	TUBE, PASS THROUGH, SQUEEGEE	1	PC		
22	8.629-250.0	WASHER, 5/16 X .562 X .063 SS	4	PC		
23	8.627-891.0	WASHER, 3/8 SS	2	PC		
24	8.627-671.0	SCREW, 5/16-18 X 2 CARR SS	2	PC		
25	8.627-187.0	NUT, 1/4-20 HEXTHIN NYLOCK SS	4	PC		
26	8.627-184.0	NUT, 5/16-18 HEXTHIN NYLOCK SS	2	PC		
27	8.627-124.0	NUT, 1/4 PAL STL ZNPLT	2	PC		
28	8.627-093.0	NUT, 1/4-20 HEXTHIN SS	1	PC		
29	8.627-083.0	NUT, 5/16-18 HEX NYLOCK SS	4	PC		

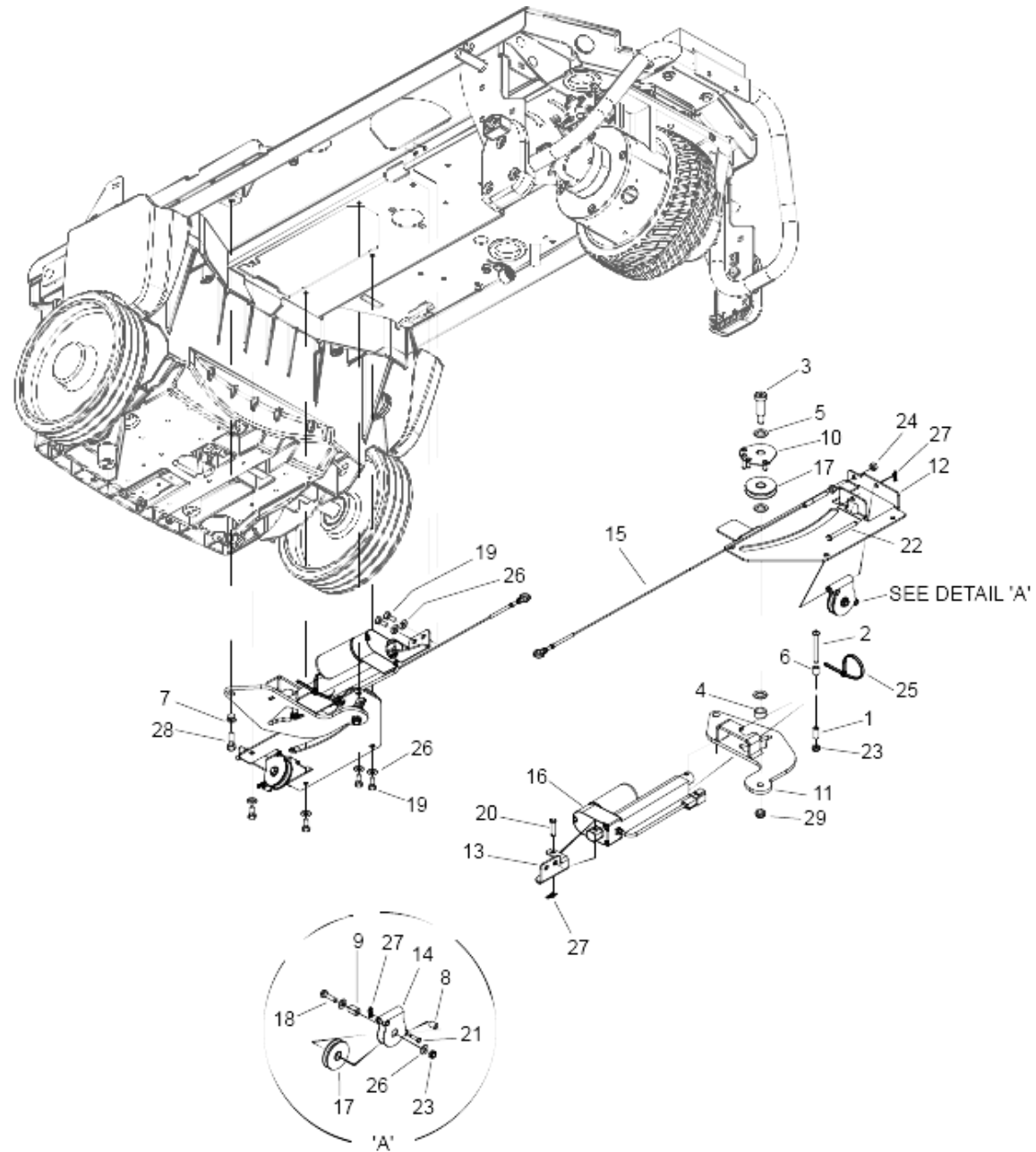
190 Squeegee - Disk

POS	Article no.	Description	Quantity	Unit	valid from	Remark
30	8.621-969.0	Turning knob	4	PC		
31	8.601-102.0	Wheel 3" DIA CUSHION RUBBER	2	PC		
32	8.622-637.0	BUSHING, .252 X .375 X .375 FLG BRZ	1	PC		
33	8.600-866.0	Cotter 5/16" RING	2	PC		
34	8.600-565.0	NUT, 5/16-18 HEX STL ZNPLT	2	PC		
35	8.600-563.0	NUT, 3/8-16 HEXTHIN NYLOCK SS	1	PC		
36	8.600-135.0	BUSHING, SPANNER .435 X 1.10	2	PC		
37	8.600-627.0	PIN, CLEVIS 5/16 X 1.625 STL ZNPLT	2	PC	3	
38	8.640-966.0	BUSHING, .316 X .502 X .210 FLG NYL	4	PC	3	
39	8.601-067.0	WASHER, 5/16 FLT SS	2	PC	3	
40	8.641-207.0	SQUEEGEE FRAME, LH	1	PC	3	
41	8.641-208.0	SQUEEGEE FRAME, RH	1	PC	3	
42	8.601-077.0	WASHER, 7/16 X1 X .08 FLT SS	4	PC		



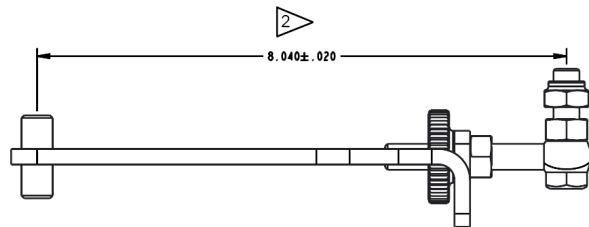
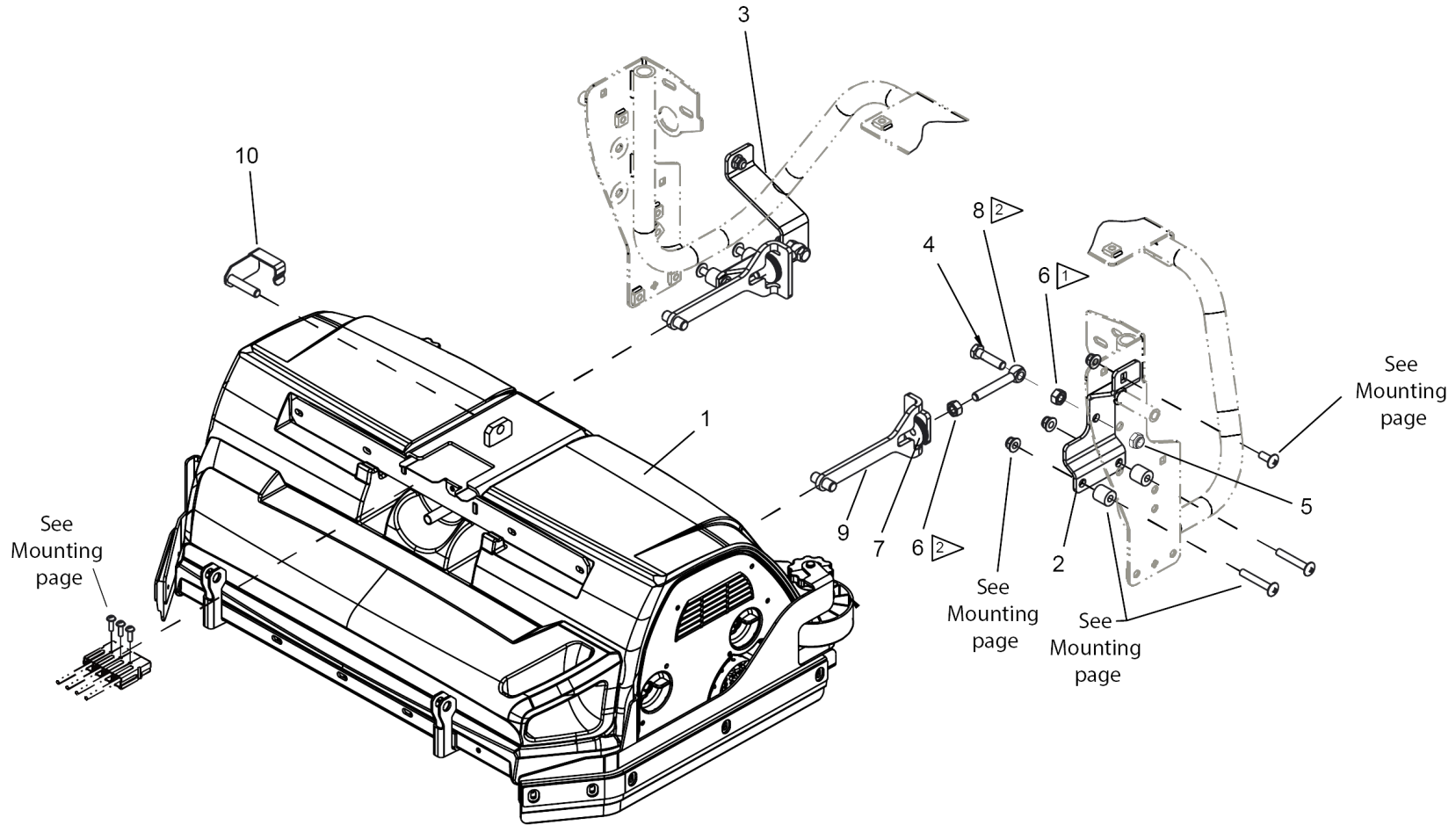
200 Squeegee Swing - Disk

POS	Article no.	Description	Quantity	Unit
1	8.636-553.0	CLAMP, RACHET, 2.13D	1	PC
2	8.636-411.0	SCREW, 5/16-18 X 3.5 HHCS SS	2	PC
3	8.636-308.0	PLATE, SLIDE, SQUEEGEE	1	PC
4	8.636-306.0	PLATE, SLIDE, MID	2	PC
5	8.636-305.0	PLATE, SLIDE, SQUEEGEE	1	PC
6	8.636-269.0	PIN, CLEVIS 1/4 X 1.5 STL ZNPLT	1	PC
7	8.636-237.0	ROD, SQUEEGEE, DIA 1.50"	2	PC
8	8.636-236.0	ALL-THREAD, 1/2-20 STL ZNPLT	2	PC
9	8.636-235.0	ROD, SQUEEGEE PIVOT	2	PC
10	8.636-173.0	BRKT, ASM, ACTUATOR	1	PC
11	8.635-822.0	BASE, LIFT, SQUEEGEE	1	PC
12	8.635-430.0	SUCTION HOSE, 1.50"	1	PC
13	8.627-383.0	SCREW, 1/4-20 X .5 HHCS SS NP	4	PC
14	8.627-382.0	SCREW, 1/4-20 X 1.25 HHMS SS	2	PC
15	8.627-184.0	NUT, 5/16-18 HEXTHIN NYLOCK SS	2	PC
16	8.627-156.0	NUT, 1/2-20 HEXTHIN STL GRA ZNPLT	4	PC
17	8.627-143.0	NUT, 1/2-20 HEX NYLOCK SS	2	PC
18	8.626-494.0	Cable tie 11.38" UL/CSA	1	PC
19	8.636-880.0	BUSHING,.313X.503X.703, PLAIN,BRZ	4	PC
20	8.601-067.0	WASHER, 5/16 FLT SS	2	PC
21	8.601-063.0	WASHER, 1/4 SS	4	PC
22	8.600-908.0	Ball joint ASM, 1/2-20	2	PC
23	8.600-865.0	PIN, COTTER RING 1/4 X .041 X .844	1	PC
24	8.625-942.0	WASHER, .510 X 1 THR	4	PC



210 Squeegee Lift

POS	Article no.	Description	Quantity	Unit	Remark
1	8.636-404.0	BUSH, PLN, .251 X .313 X .75L	1	PC	
2	8.636-403.0	SCREW, 1/4-20 X 2.25 HEXCS	1	PC	
3	8.636-402.0	SHOULDER BOLT 5/16 X .75L	1	PC	
4	8.636-282.0	BUSH, PLN, .510 X .750 X .375L	1	PC	
5	8.636-231.0	WASHER, .51 X .89 X .06 PLSTC	3	PC	
6	8.636-230.0	BUSH, PLN, .251 X .375 X .50L	1	PC	
7	8.636-229.0	BUSH, FL, .313 X .438 X .375L	1	PC	
8	8.636-227.0	SPACER, .196 X .375 X .438L NYL	2	PC	
9	8.636-226.0	BUSH, PL, .250 X .500 X .625L	1	PC	
10	8.636-225.0	PLATE, PULLEY, LIFT, UPPER	1	PC	
11	8.636-224.0	ASM, ARM, LIFT	1	PC	
12	8.636-223.0	PLATE, ACTUATOR MOUNT	1	PC	
13	8.636-222.0	BRKT, ACTUATOR, MOUNT	1	PC	
14	8.636-221.0	U-BRACKET, PULLEY	1	PC	
15	8.635-447.0	CABLE, .09 X 27.13, 0707, SS	1	PC	DISK
15	8.637-044.0	CABLE, .09 X 30.00, 0707, SS	1	PC	CYLINDRICAL
16	8.632-088.3	ACT, 36VDC, 3.0" STK, 8.74 LNG	1	PC	
17	8.631-733.0	PULLEY, 2 IN.	2	PC	
18	8.627-381.0	SCREW, 1/4-20 X 1 HHCS SS	1	PC	
19	8.627-375.0	SCREW, 1/4-20 X .625 HHCS SS NP	6	PC	
20	8.627-262.0	PIN, CLEVIS 1/4 X 1.125 STL ZNPLT	1	PC	
21	8.627-247.0	PIN, CLEVIS 3/16 X .75 STL ZNPLT	2	PC	
22	8.627-233.0	PIN, CLEVIS 1/4 X 2.44 STL ZNPLT	1	PC	
23	8.627-187.0	NUT, 1/4-20 HEXTHIN NYLOCK SS	2	PC	
24	8.627-087.0	NUT, 1/4-28 HEX SS	2	PC	
25	8.626-492.0	CABLE TIE, 7" UL/CSA	1	PC	
26	8.601-063.0	WASHER, 1/4 SS	9	PC	
27	8.600-865.0	PIN, COTTER RING 1/4 X .041 X .844	4	PC	
28	8.627-576.0	Screw 5/16-18 X 1 HHCS GR8 PLTD	1	PC	
29	8.600-563.0	NUT, 3/8-16 HEXTHIN NYLOCK SS	1	PC	



TIE ROD NUT LOCATION

2 SET DISTANCE PRIOR TO ASSEMBLING TIE ROD

1 INSTALL NUT HAND TIGHT TO EYE-BOLT, THEN BACK OF 1/4 TURN WHEN INSTALLING TO FRAME

220 Scrub Deck - Cylindrical

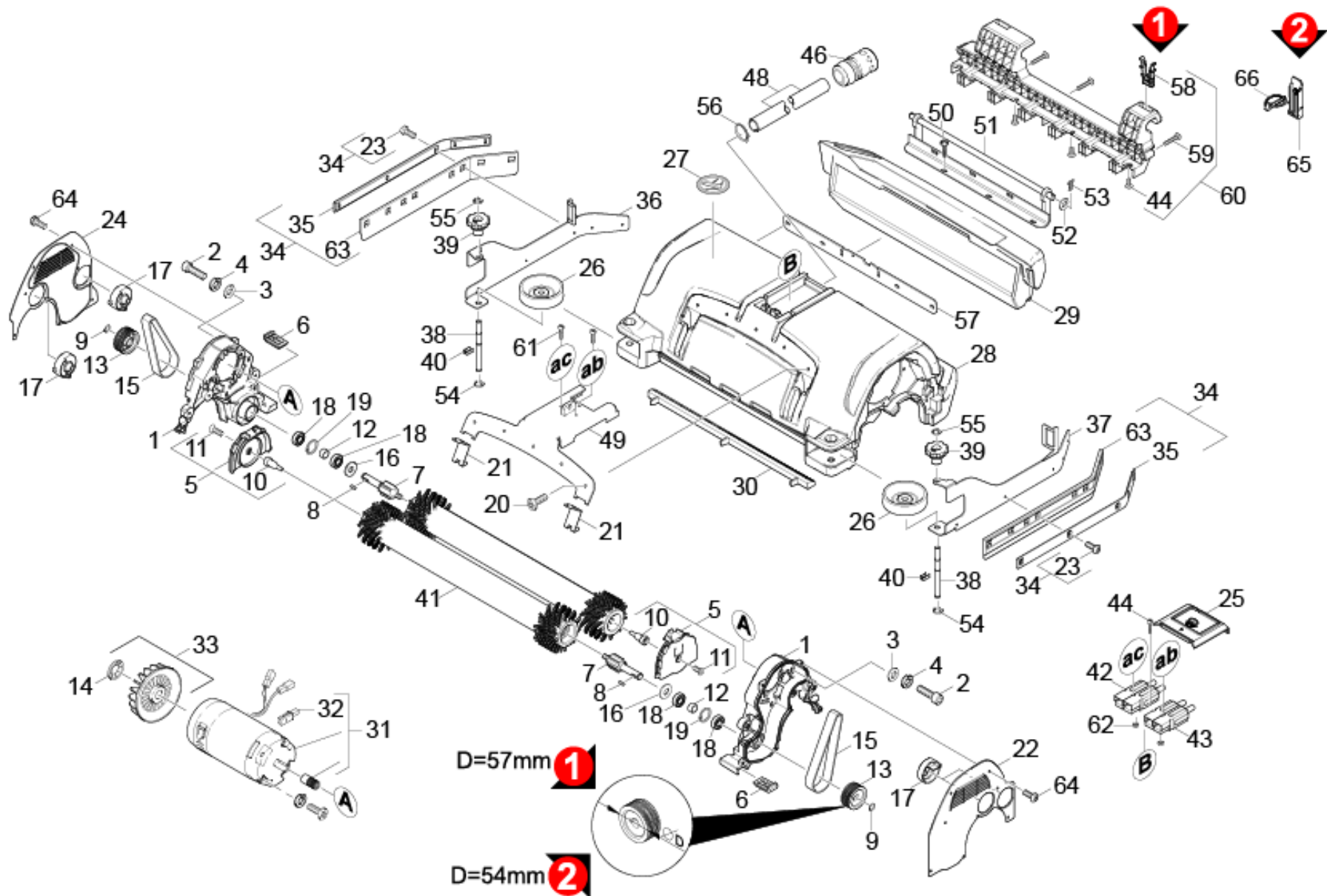
POS	Article no.	Description	Quantity	Unit	Remark
1	2.763-004.0	Brush-head R 65 S	1	PC	
2	8.637-023.0	BRKT, DECK MOUNT, RH	1	PC	
3	8.637-022.0	BRKT, DECK MOUNT, LH	1	PC	
4	8.627-655.0	SCREW, M10 X 40 HHCS STL ZNPLT	2	PC	
5	8.613-636.0	NUT, M10X1.5 HEX NYLOCK STL ZNPLT	2	PC	
6	7.311-006.0	Hexagon nut M10 -8-A3E ISO 4032	4	PC	
7	7.310-041.0	Knurled nut M10- St-E2E DIN 467	2	PC	
8	6.401-475.0	Eye screw LB-5.6 M10x70	2	PC	
9	4.481-295.0	Tie rod	2	PC	
10	4.481-244.0	Locking part	1	PC	
11	8.639-486.0	ADD-ON KIT, TENSION ROD	1	PC	Add On KIT

1 Brush-head R 65 S (2.763-004.0)

POS	Description	Quantity	Unit
10	Brush-head R 65 S	1	PC

10 Brush-head R 65 S

POS	Description	Quantity	Unit
10	Power brush R 65 S	1	PC
20	Roll pad BR	1	PC



10 Power brush R 65 S

POS	Article no.	Description	Quantity	Unit	Remark	Foot note text
1	2.882-726.0	Conversion kit retainer plate transmissi	2	PC	5.625-483.0	VERSION 1
1	5.044-866.0	Retainer plate transmission	2	PC	5.625-494.0	VERSION 2
2	7.306-031.0	Cylinder head screw M 6x16 A2-70 DIN 7984	10	PC		
3	7.312-026.0	Washer 6 -A2 ISO 7089	10	PC		
	Item text1: successor of 6.614-022.0					
4	7.313-003.0	Spring washer B6-FSt-A3E DIN 127	10	PC		
5	2.763-032.0	Set holder-up replacement	2	PC		
6	5.056-010.0	Rocker BR-VS	2	PC		
7	5.100-611.3	Driveshaft BR	2	PC		
8	7.318-002.0	Parallel key A 5x5x16-C45K DIN 6885-1	2	PC		
9	7.343-015.0	Locking ring 15x1-FST-RF DIN 471	2	PC		
10	5.116-340.0	Bolt holder-up	2	PC		
11	7.305-627.0	Countersunk screw M8x25 -A2-70 ISO 10642	2	PC		
12	5.116-354.0	Bush transmission BR	2	PC		VERSION 1
12	5.116-413.0	Sleeve	2	PC		VERSION 2
13	5.625-483.0	Belt pulley 57mm	2	PC	D = 57mm	VERSION 1
13	5.625-494.3	Belt pulley 54mm	2	PC	D = 54mm	VERSION 2
14	6.343-149.0	Quick-fastener	2	PC		
15	6.348-442.0	Ribbed v-belt	2	PC	432mm	VERSION 1
15	6.348-456.0	Ribbed v-belt	2	PC	425mm	VERSION 2
16	6.363-158.0	Joint ring Nilosring	2	PC		
17	5.033-665.0	Locking part	4	PC		
18	4.401-198.0	Ball bearing 6202-2RS -Wälzl.St DIN 625	4	PC		VERSION 2
18	7.401-115.0	Ball bearing 6002-2RS -WÄELZLAGST DIN 62	4	PC		VERSION 1
19	7.343-017.0	Locking ring 35x1,5-FST-PHR DIN 472	2	PC		VERSION 2
19	7.343-231.0	Locking ring 32x1,2 -St-ph DIN 472	2	PC		VERSION 1
20	7.303-047.0	Screw M6x16 -St-R3R (In6Rd)	5	PC		
21	5.033-664.0	Locking part tension rod	2	PC		
22	5.033-241.0	Covering cap left	1	PC		

10 Power brush R 65 S

POS	Article no.	Description	Quantity	Unit	Remark	Foot note text
23	6.303-192.0	Screw M5x12 TX TAPTITE2000	10	PC		
24	5.033-242.0	Covering cap right	1	PC		
25	5.033-403.0	Cover BR	1	PC		
26	5.515-267.0	Deflector roll	2	PC		
27	5.383-097.0	Label	1	PC		
28	5.061-580.0	Brush housing BR 65	1	PC		
29	5.075-040.0	Tank refuse BR 65	1	PC		
30	5.190-014.0	Strip water distributor	1	PC		
31	4.623-017.0	Motor complete only for replacement Heng	2	PC	24V//600W/ATAS Motor	VERSION 2
31	4.623-920.0	Motor complete nur fuer Ersatz	2	PC	24V//600W/ATAS Motor	VERSION 1
32	6.610-026.0	Carbon brush set	1	PC	/Hengye Motor	
32	6.610-239.0	Carbon brush set ATAS	1	PC	/ATAS	
33	6.610-027.0	Blower wheel only for replacement Hengye	2	PC	/Hengye Motor	
33	6.613-025.0	Blower wheel	2	PC	/ATAS	
34	4.071-003.0	Set splash guard reinforced	2	PC		reinforced
34	4.071-228.0	Set splash guard onesided	2	PC		STANDARD
35	4.007-009.0	Retainer strip rubber lip stainless stee	2	PC		reinforced
35	5.044-867.0	Retainer strip splash guard	2	PC		STANDARD
36	5.009-401.0	Retaining plate right scraper lip	1	PC		
37	5.009-402.0	Retaining plate left scraper lip	1	PC		
38	5.116-339.0	Threaded bolt	2	PC		
39	5.033-666.0	Adjustment wheel	2	PC		
40	6.330-407.0	Spring clip	2	PC		
41	4.035-187.0	Roller brush red for replacement BR65	2	PC		
	Item text1: successor of 6.907-414.0					
41	6.906-981.0	Roller brush white - BR 65	2	PC		
41	6.906-982.0	Roller brush orange - BR 65	2	PC		
41	6.906-983.0	Roller brush green - BR 65	2	PC		
41	6.906-984.0	Roller brush black - BR 65	2	PC		
41	6.907-414.0	Roller brush red BR65	2	PC		
42	6.646-034.0	Set plug complete rot, 75A , Q-6mm²	2	PC		
43	6.646-033.0	Set plug complete blau , 75A ,	2	PC		

10 Power brush R 65 S

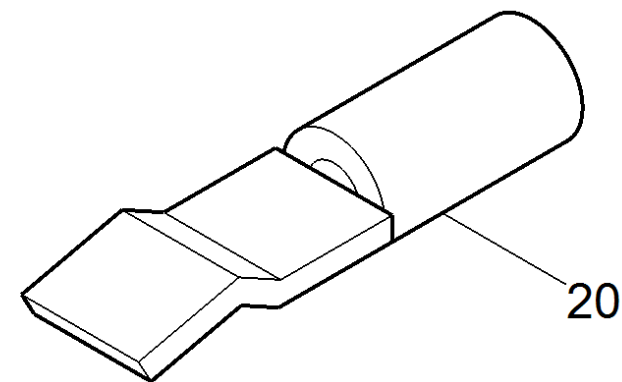
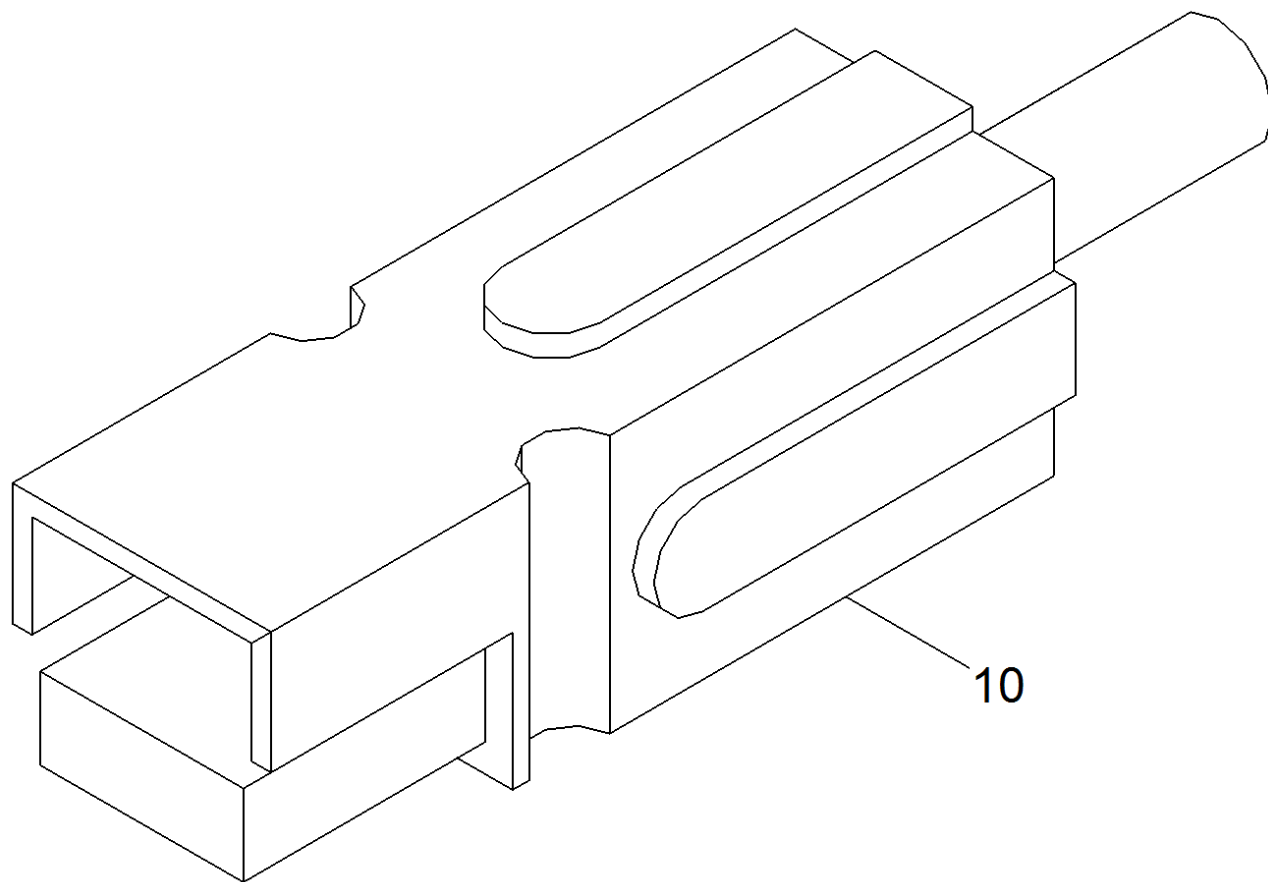
POS	Article no.	Description	Quantity	Unit	Remark	Foot note text
		Q-6mm²				
44	7.303-107.0	Screw 5x16 -10.9-P2R (K-In6Rd)	3	PC		
46	2.645-191.0	Hose coupling entry Universal	1	PC		
48	6.390-892.0	Spiral hose NW12	1	m		TO ORDER AS CUT GOODS
49	4.040-194.0	Holder power brush replacement	1	PC		
50	7.303-112.0	Screw 6x20 -10.9-R2R (In6Rd)	6	PC		
51	4.481-261.0	Holder pivot point complete BR	1	PC		
52	7.312-008.0	Washer 12-200HV-A2K ISO 7089	2	PC		
53	6.313-022.0	Spring clip	2	PC		
54	7.343-047.0	Lock washer 10-FST-A2E DIN 6799	2	PC		
55	7.343-302.0	Lock washer 8 -St-ph DIN 6799	2	PC		
56	6.388-545.0	Hose clip	1	PC		
57	5.010-121.0	Plate suspension	1	PC		
58	5.035-424.0	Snap-fit	2	PC		
59	7.303-110.0	Screw 5x35 -10.9-R2R (In6Rd)	5	PC		
60	4.035-472.0	Adapter set BR	1	PC		
61	7.306-184.0	Screw M5x30 -A2-70 ISO 14583	2	PC		
62	7.311-065.0	Hexagon nut M 5-A2-70 ISO 4032	2	PC		
63	5.394-911.0	Splash guard reinforced	2	PC		reinforced
63	5.396-419.0	Splash guard	2	PC		
64	6.303-029.0	Screw EJOT ALtracs Plus 50x10 A2	17	PC		
65	5.013-468.0	Safety split pin power brush fixing	2	PC		reinforced
66	7.316-471.0	Linch pin 5x32-St-A2K DIN 11023	2	PC		

34 Set splash guard reinforced (4.071-003.0)

POS	Article no.	Description	Quantity	Unit	Foot note text
1	5.394-911.0	Splash guard reinforced	1	PC	
2	4.007-009.0	Retainer strip rubber lip stainless stee	1	PC	
3	6.306-003.0	Screw M5X12-A2/70-ISO 14583 (IN6RD)	5	PC	with microencapsulation

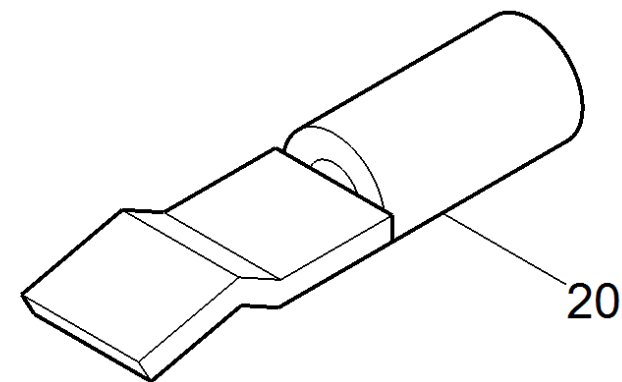
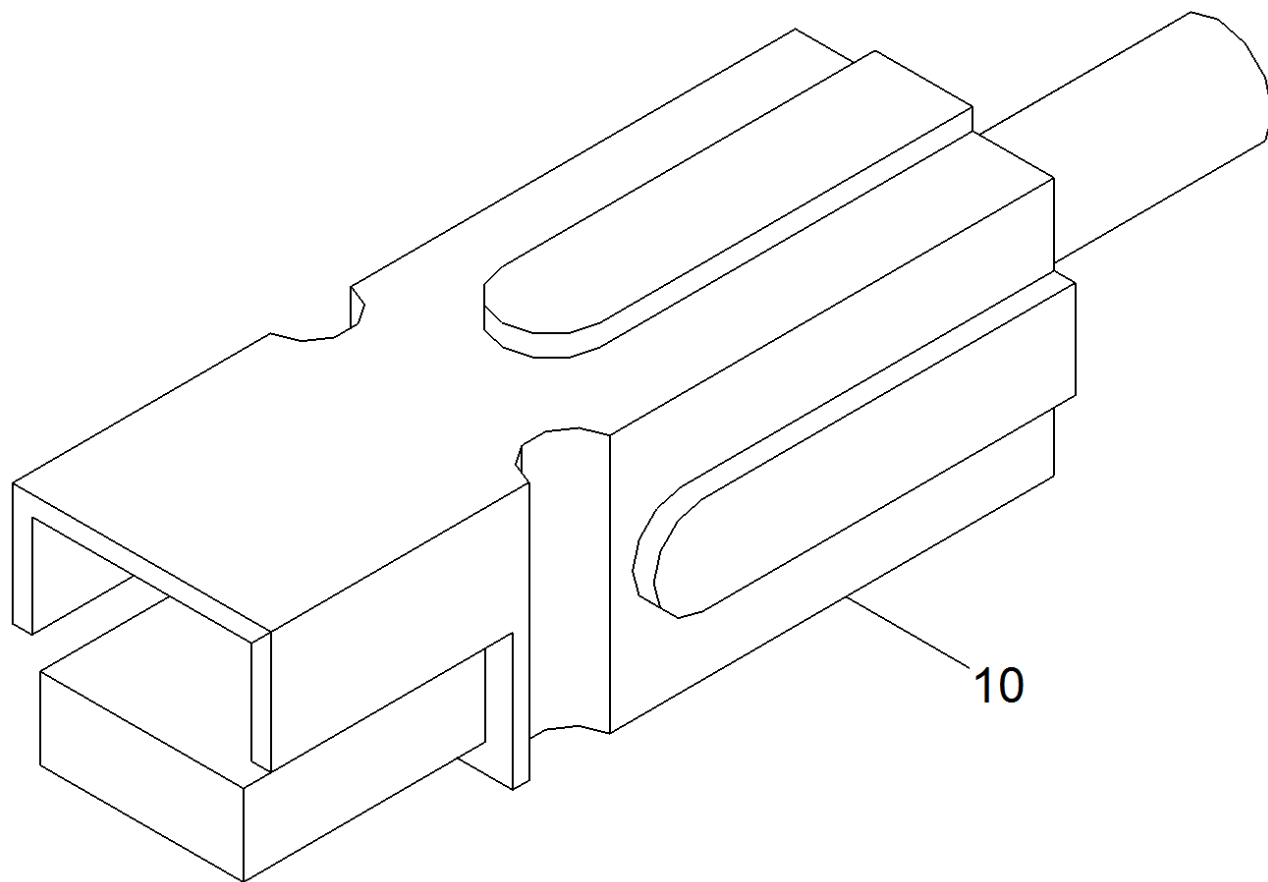
34 Set splash guard onesided (4.071-228.0)

POS	Article no.	Description	Quantity	Unit
1	5.396-419.0	Splash guard	1	PC
2	5.044-867.0	Retainer strip splash guard	1	PC
3	7.303-037.0	Screw M5x10 -St-P2R (In6Rd)	5	PC



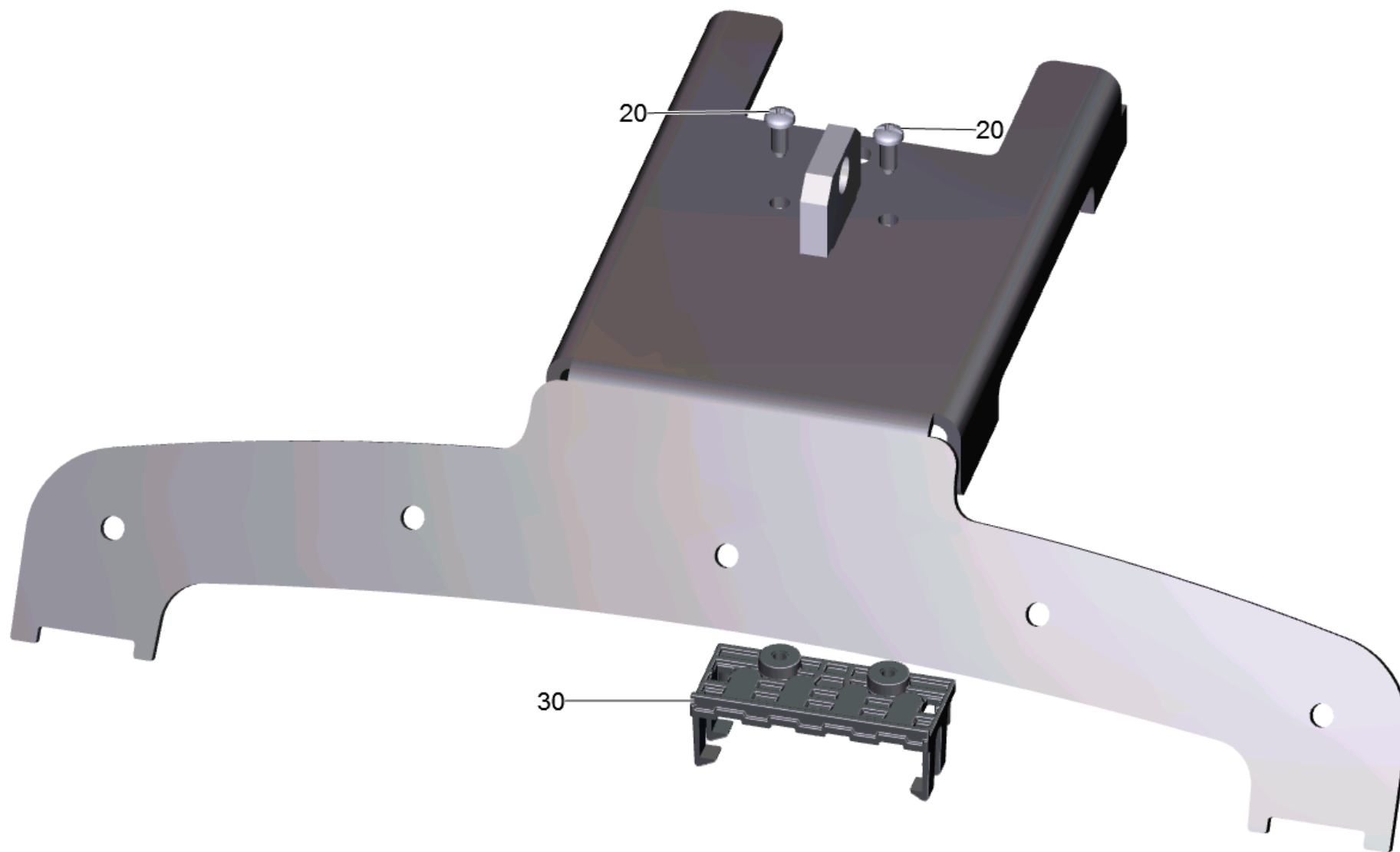
42 Set plug complete rot, 75A , Q-6mm² (6.646-034.0)

POS	Article no.	Description	Quantity	Unit
10	6.643-043.0	Plug housing red 75 A	1	PC
20	6.646-979.0	Switch contact 6 mm ²	1	PC



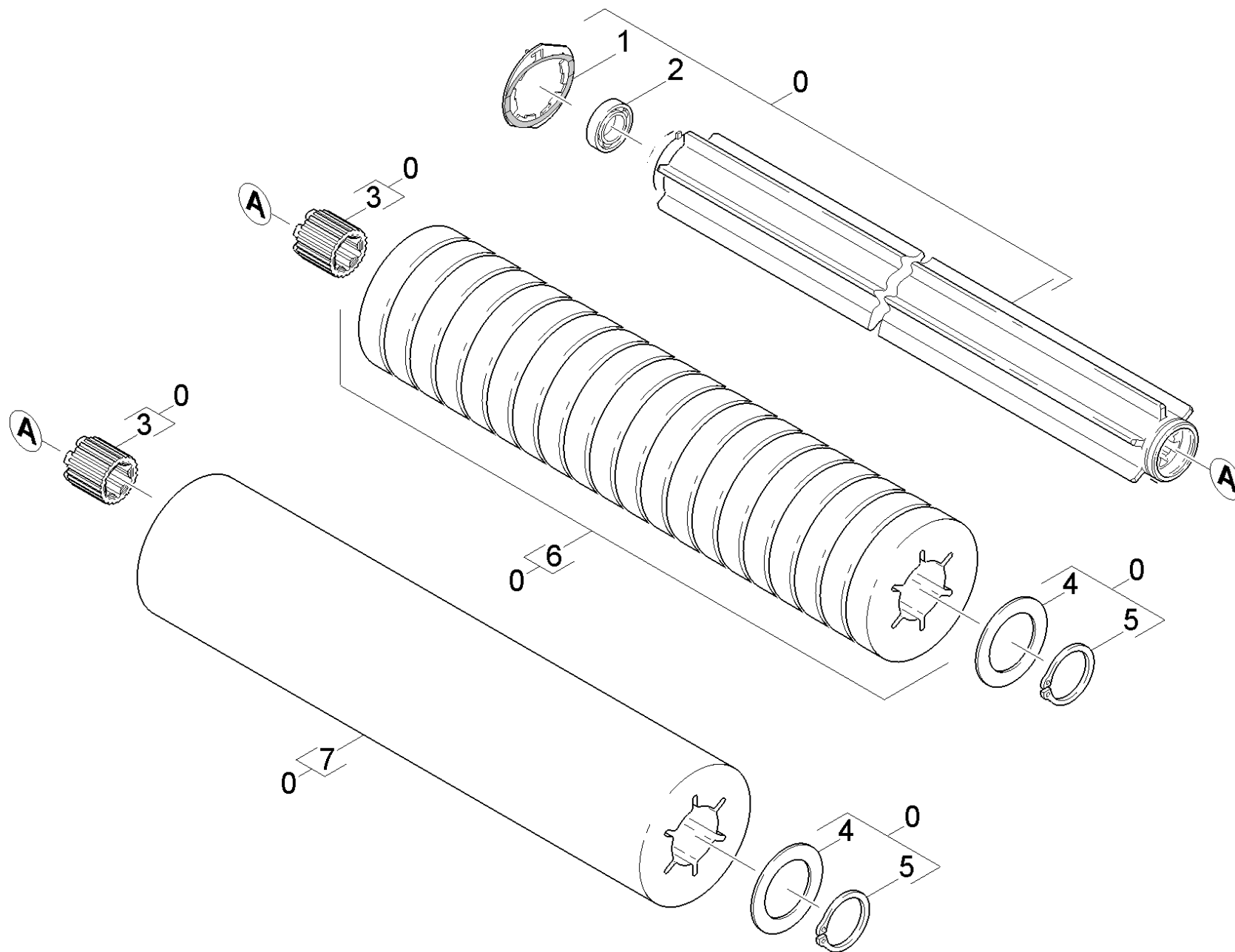
43 Set plug complete blau , 75A , Q-6mm² (6.646-033.0)

POS	Article no.	Description	Quantity	Unit
10	6.643-045.0	Plug housing blue 75 A	1	PC
20	6.646-979.0	Switch contact 6 mm ²	1	PC



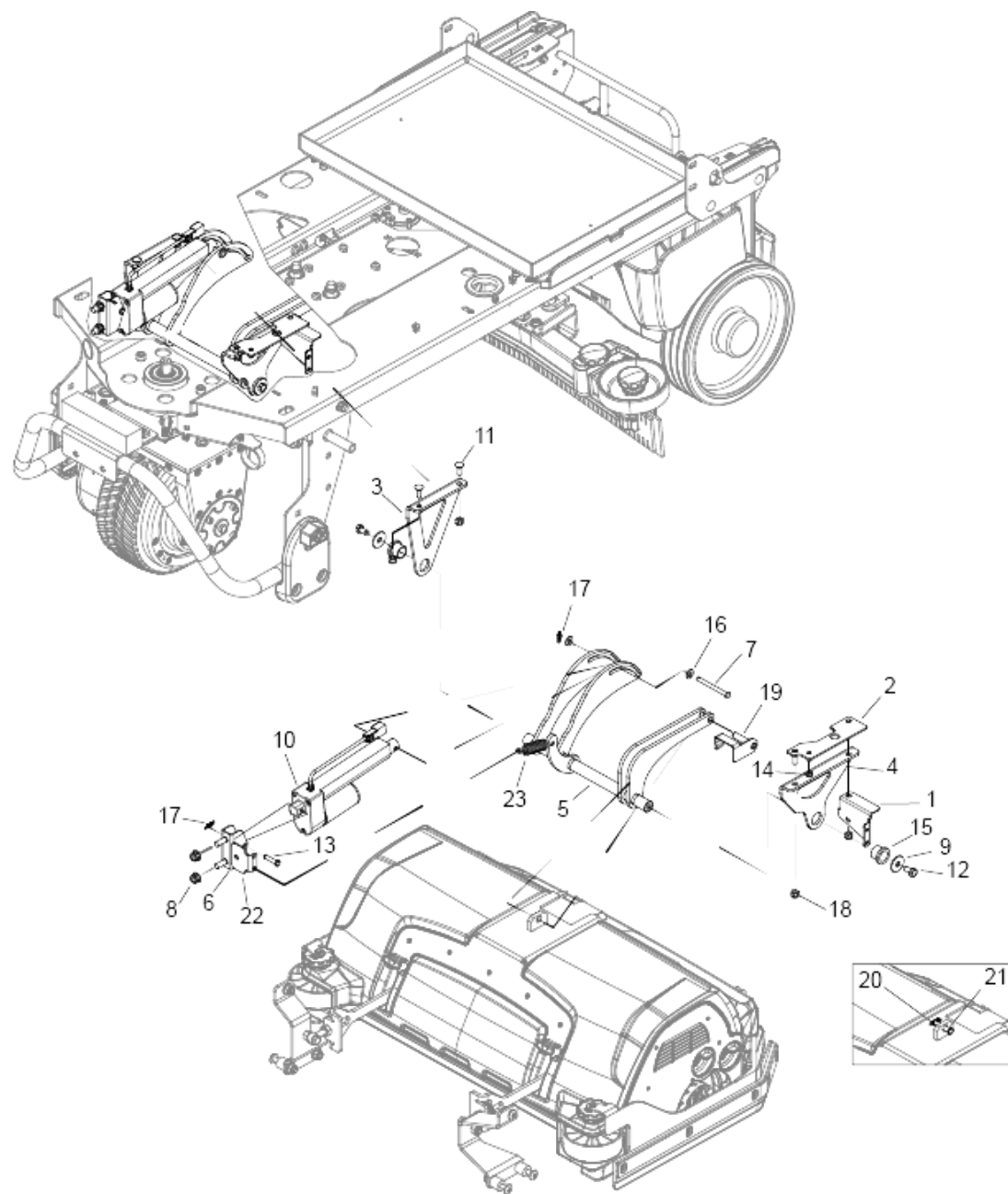
49 Holder power brush replacement (4.040-194.0)

POS	Article no.	Description	Quantity	Unit
20	7.303-274.0	Screw 5x12 -A2-70 (In6Rd)	2	PC
30	5.034-086.0	Holder plug power brush R	1	PC



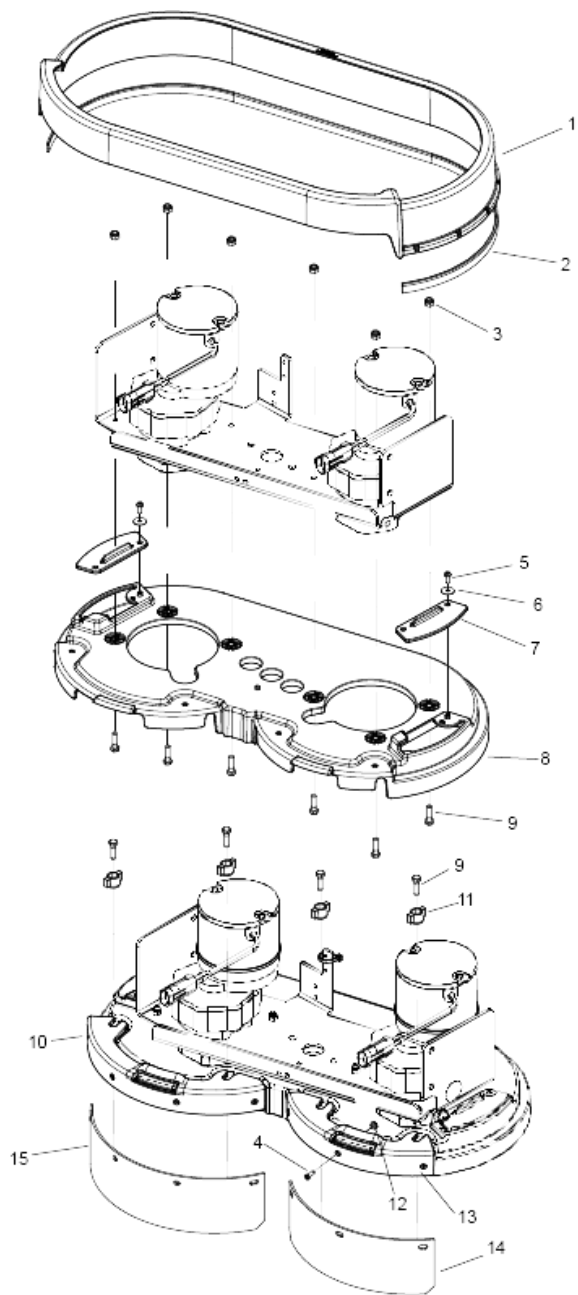
20 Roll pad BR

POS	Article no.	Description	Quantity	Unit
0	4.762-433.0	Roll pad BR 65	2	PC
1	4.115-004.0	Washer closure	1	PC
2	7.401-005.0	Ball bearing 6302-2RS DIN 625-1	1	PC
3	5.112-823.0	Bush Torx	2	PC
4	5.005-267.0	Ronde	1	PC
5	7.343-037.0	Locking ring 50x2-FST-RF DIN 471	1	PC
6	6.369-389.0	Pad white 105-20ST	2	ZSA
6	6.369-455.0	Pad green 105-20ST	2	ZSA
6	6.369-456.0	Pad red 105-20ST	2	ZSA
6	7.777-999.0	Stockpiling discontinued	1	PC
6	9.302-151.0	PAD GREEN DIAM.105mm (SET 25 PCS)	1	PC
7	4.114-006.0	Micro-fibre roll complete BR 65	1	PC



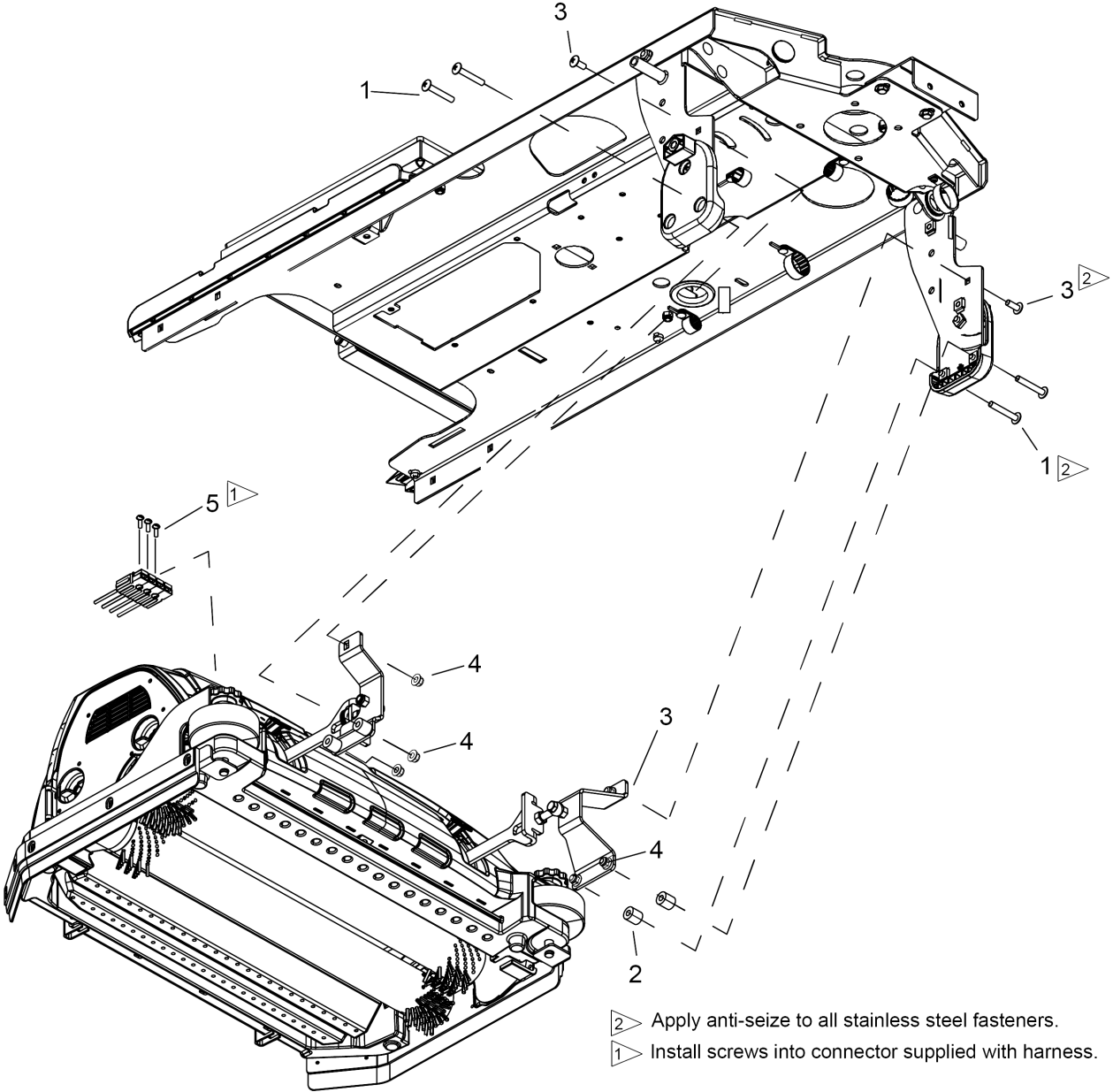
230 Scrub Deck Lift - Cylindrical

POS	Article no.	Description	Quantity	Unit	valid from
1	8.637-080.0	BRKT, SOLENOID CS26 SP	1	PC	
2	8.637-072.0	PLATE, CYL DECK ATTCHMNT	1	PC	
3	8.637-028.0	BRKT, LIFT MOUNT, RH	1	PC	
4	8.637-027.0	BRKT, LIFT MOUNT, LH	1	PC	
5	8.637-026.0	ASM, DECK LIFT, A.10	1	PC	
6	8.637-025.0	BRKT, ACTUATOR MOUNT	1	PC	
7	8.637-024.0	PIN, CLEVIS 1/4 X 2.75 STL ZNPLT	1	PC	
8	8.636-824.0	NUT, 5/16-18, FLG NYLOCK SS	2	PC	
9	8.636-725.0	WASHER, .344 X 1.13 X .09 SS	2	PC	
10	8.632-088.3	ACT, 36VDC, 3.0" STK, 8.74 LNG	1	PC	
11	8.627-695.0	SCREW, 1/4-20 X .75 CARR SS	2	PC	
12	8.627-649.0	SCREW, 5/16-18 X .625 HHCS SS	2	PC	
13	8.627-262.0	PIN, CLEVIS 1/4 X 1.125 STL ZNPLT	1	PC	
14	8.627-099.0	NUT, 10-32 HEX NYLOCK SS	1	PC	
15	8.622-879.0	BUSHING, .753 X .875 X .75 FLG	2	PC	
16	8.601-063.0	WASHER, 1/4 SS	2	PC	
17	8.600-865.0	PIN, COTTER RING 1/4 X .041 X .844	2	PC	
18	8.636-031.0	NUT, 1/4-20 FLG NYLOCK SS	4	PC	
19	4.481-244.0	Locking part	1	PC	5
20	8.600-866.0	Cotter 5/16" RING	1	PC	
21	7.777-999.0	Stockpiling discontinued	1	PC	
22	8.637-319.0	BRKT, SPRING HANGER	1	PC	6
23	8.622-683.0	Spring EXT .68D X3.00L X.098W	1	PC	6



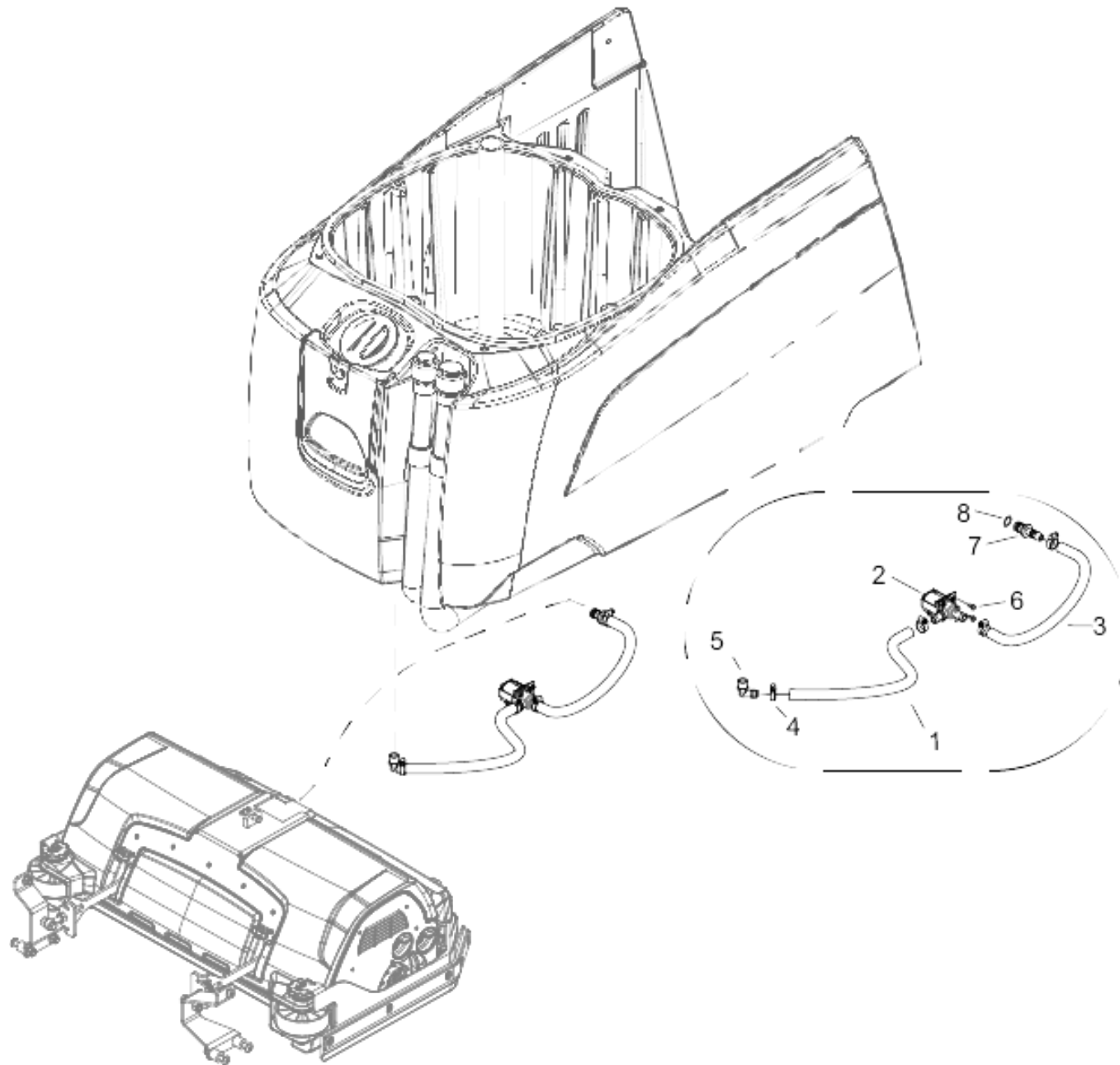
240 Scrub Deck Skirts

POS	Article no.	Description	Quantity	Unit
1	8.635-858.0	SKIRT, SCRUB DECK, 26" IN	1	PC
2	8.636-159.0	FLEX STRIP BRUSH, 26" SKIRT	1	PC
3	8.627-187.0	NUT, 1/4-20 HEXTHIN NYLOCK SS	6	PC
4	8.636-488.0	SCREW, 10-32 X 0.625 PHCSKH SS	7	PC
5	8.600-687.0	SCREW, 10 X .5 PHPNHSMS TYPEB BLK	2	PC
6	8.633-545.0	WASHER, 10 X .75 X .04 FNDR NYL BLK	2	PC
7	8.635-857.0	ACCESS COVER, DECK	2	PC
8	8.635-856.0	DECK, SCRUB, 26" IN	1	PC
9	8.627-381.0	SCREW, 1/4-20 X 1 HHCS SS	10	PC
10	8.635-862.0	MOUNT, AQUAMIZER, DECK, LH	1	PC
11	8.624-213.0	KNOB, HEX PRESS-LOC WING	4	PC
12	8.627-099.0	NUT, 10-32 HEX NYLOCK SS	7	PC
13	8.635-863.0	MOUNT, AQUAMIZER, DECK, RH	1	PC
14	8.636-167.0	BLADE, AQUAMIZER, RH	1	PC
15	8.636-168.0	BLADE, AQUAMIZER, LH	1	PC



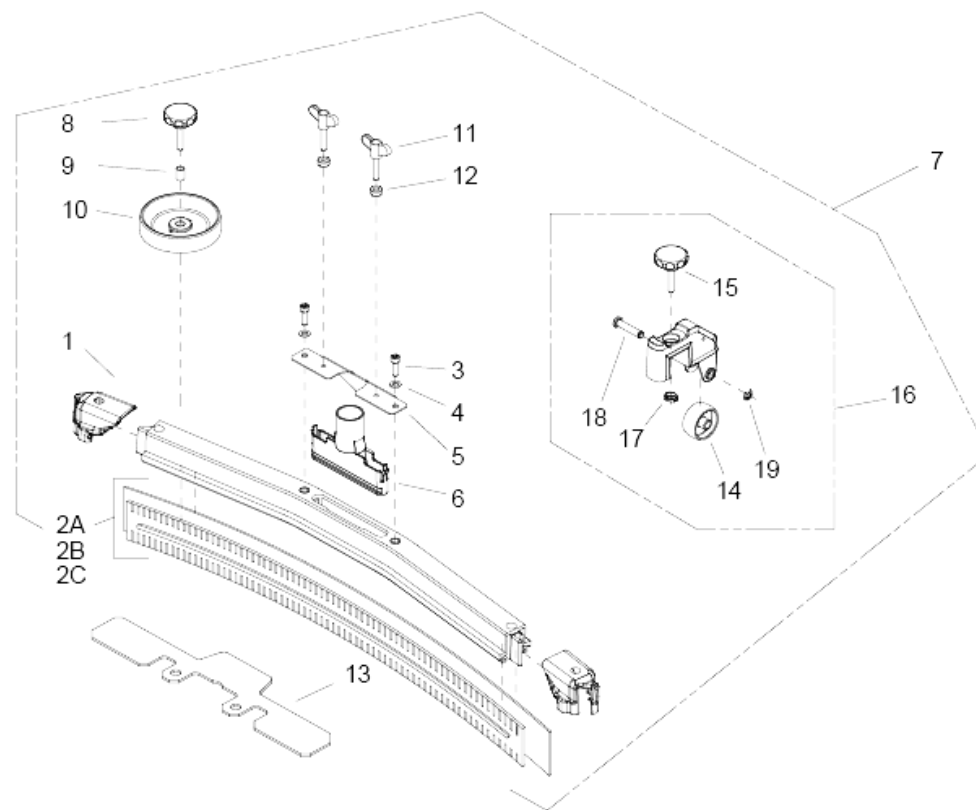
250 Scrub Deck Mounting - Cylindrical

POS	Article no.	Description	Quantity	Unit
1	8.637-083.0	SCREW, 5/16-18 X 2 PHPNHMS SS	4	PC
2	8.637-012.0	SPACER, .319DX.75DX.75L,AL	4	PC
3	8.627-689.0	SCREW, 5/16-18 X .75 PHTRHMS SS	2	PC
4	8.636-824.0	NUT, 5/16-18, FLG NYLOCK SS	6	PC
5	7.303-107.0	Screw 5x16 -10.9-P2R (K-In6Rd)	3	PC



260 Solution System - Cylindrical

POS	Article no.	Description	Quantity	Unit
1	8.636-831.0	HOSE, 1/2ID WIREBOUND X 17.25"	1	PC
2	8.636-610.0	VALVE, 36V SOL, 1/2 BARB	1	PC
3	8.630-277.0	Hose 1/2 x 14"	1	PC
4	8.623-315.0	CLAMP, 3/8 HOSE (D-SLOT)	4	PC
5	8.619-794.0	HOSEBARB, 3/8MPTX1/2 90D DL	1	PC
6	8.600-652.0	SCREW, 8-32 X .375 PHPNHMS SS	2	PC
7	5.443-375.0	Hose stem	1	PC
8	6.362-170.0	O-Ring seal 11,3 X 2,4-NBR 70	1	PC

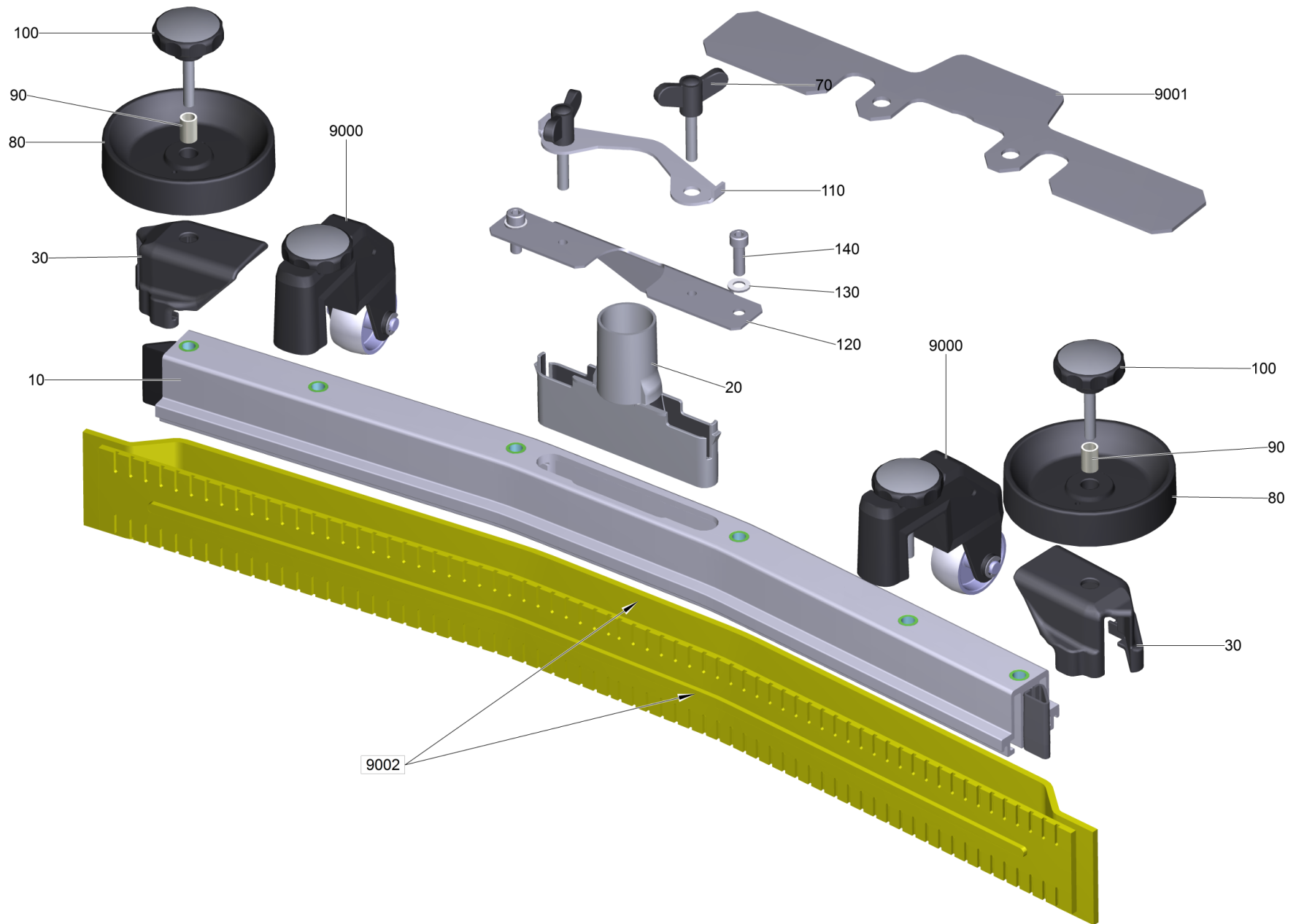


270 Squeegee - Cylindrical

POS	Article no.	Description	Quantity	Unit	Remark
1	2.885-294.0	End piece left / right spare parts set	1	PC	
2	6.273-207.0	Rubber lip set oil resistant BR-BD530,55	1	ZSA	
2	6.273-229.0	Rubber lip set anti stripe oil resistant	1	PC	
2	6.273-290.0	BLADES FOR TEXTURED FLOORS	1	PC	
3	7.306-142.0	Cylinder head screw M 8x25-A4-70 ISO 47	2	PC	
4	7.312-017.0	Washer 8-A2 ISO 7089	2	PC	
5	4.044-129.0	Support plate suction bar complete	1	PC	
6	5.033-601.0	Suction nipple	1	PC	
7	4.777-100.0	Suction bar curved 850mm - B95RS	1	PC	COMPLETE
8	6.321-239.0	Star grip VA Ø50x43	2	PC	
9	5.094-231.0	Sleeve suction bar in VA	2	PC	
10	5.515-346.0	Deflector roll suction bar D120	2	PC	
11	5.305-008.0	Wing screw M8x30 VA	2	PC	
12	5.112-810.0	Sleeve VA	2	PC	
13	5.128-339.0	Additional weight suction bar	1	PC	
14	6.435-401.0	Wheel D54	2	PC	
15	6.321-240.0	Star grip with inscription VA Ø50x43	2	PC	
16	4.035-339.0	Roller suction bar	2	PC	
17	5.332-504.0	Pressure spring	2	PC	
18	5.317-781.0	Bolt roller	2	PC	
19	7.343-303.0	Locking ring 8-A2 DIN 6799	2	PC	

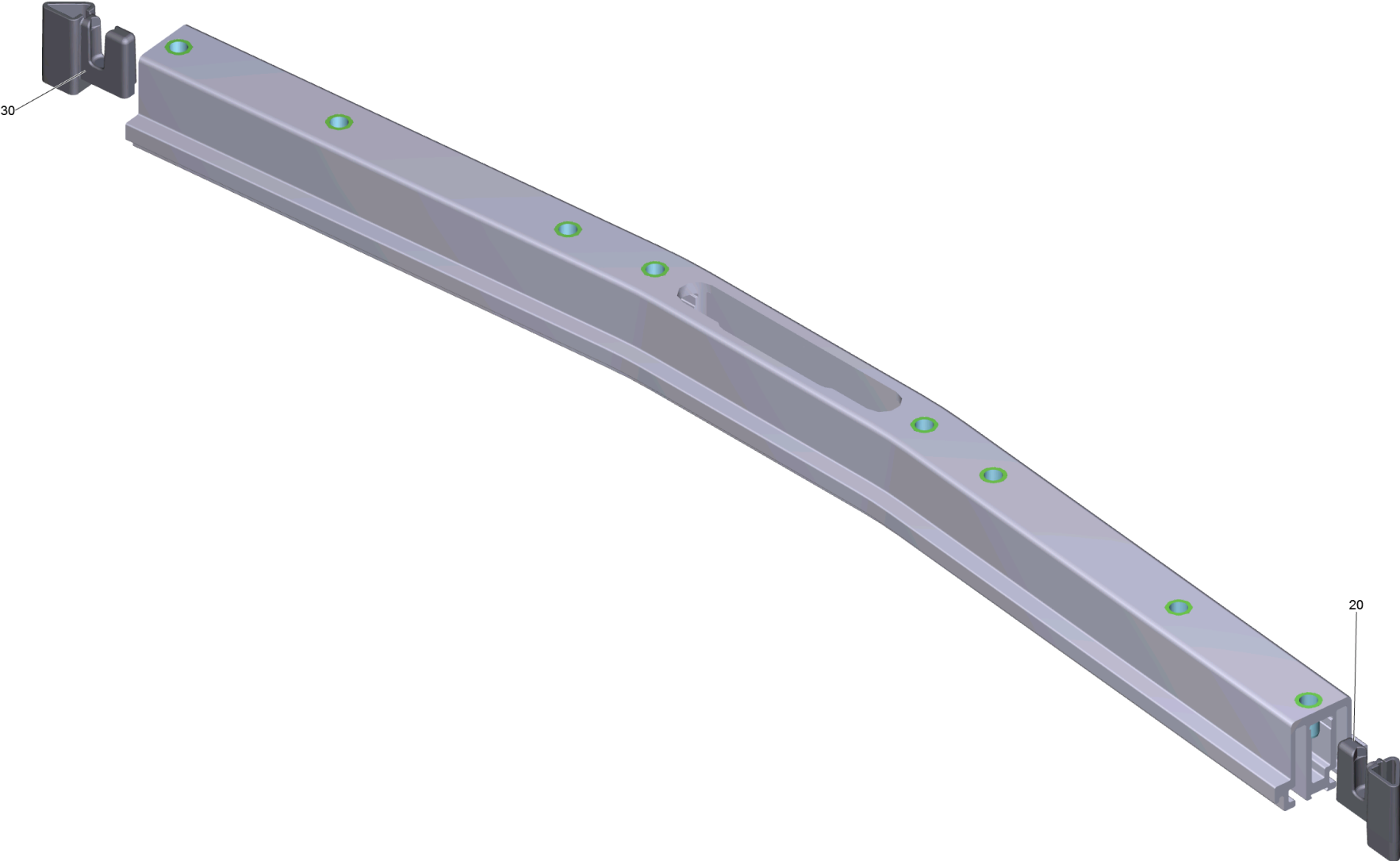
2 BLADES FOR TEXTURED FLOORS (6.273-290.0)

POS	Article no.	Description	Quantity	Unit
20	6.273-229.0	Rubber lip set anti stripe oil resistant	1	PC



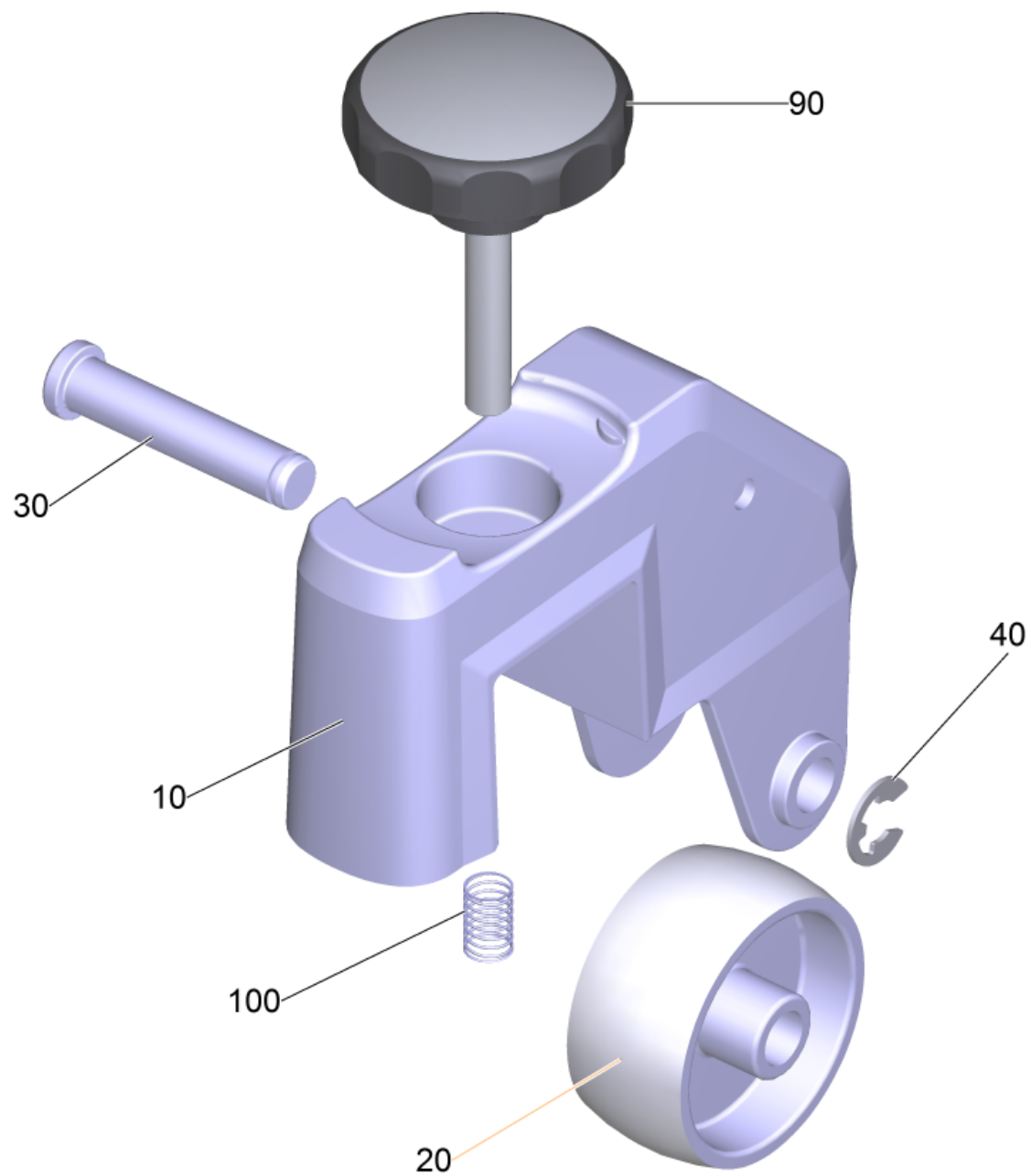
7 Suction bar curved 850mm - B95RS (4.777-100.0)

POS	Article no.	Description	Quantity	Unit
10		Suction bar pre-assembled curved 850mm	1	PC
20	5.033-601.0	Suction nipple	1	PC
30	2.885-294.0	End piece left / right spare parts set	1	PC
70	5.305-008.0	Wing screw M8x30 VA	2	PC
80	5.515-346.0	Deflector roll suction bar D120	2	PC
90	5.094-231.0	Sleeve suction bar in VA	2	PC
100	6.321-243.0	Star grip stainless steel D50x48	2	PC
110	5.007-217.0	Plate	1	PC
120	4.044-129.0	Support plate suction bar complete	1	PC
130	7.312-017.0	Washer 8-A2 ISO 7089	2	PC
140	7.306-142.0	Cylinder head screw M 8x25-A4-70 ISO 47	2	PC
9000	4.035-339.0	Roller suction bar	2	PC
9001	5.128-339.0	Additional weight suction bar	1	PC
9002	6.273-207.0	Rubber lip set oil resistant BR-BD530,55	1	ZSA
9002	6.273-229.0	Rubber lip set anti stripe oil resistant	1	PC
9002	6.273-290.0	BLADES FOR TEXTURED FLOORS	1	PC



10 Suction bar pre-assembled curved 850mm

POS	Article no.	Description	Quantity	Unit
20	5.033-578.0	End piece inside left	1	PC
30	5.033-579.0	End piece inside right	1	PC

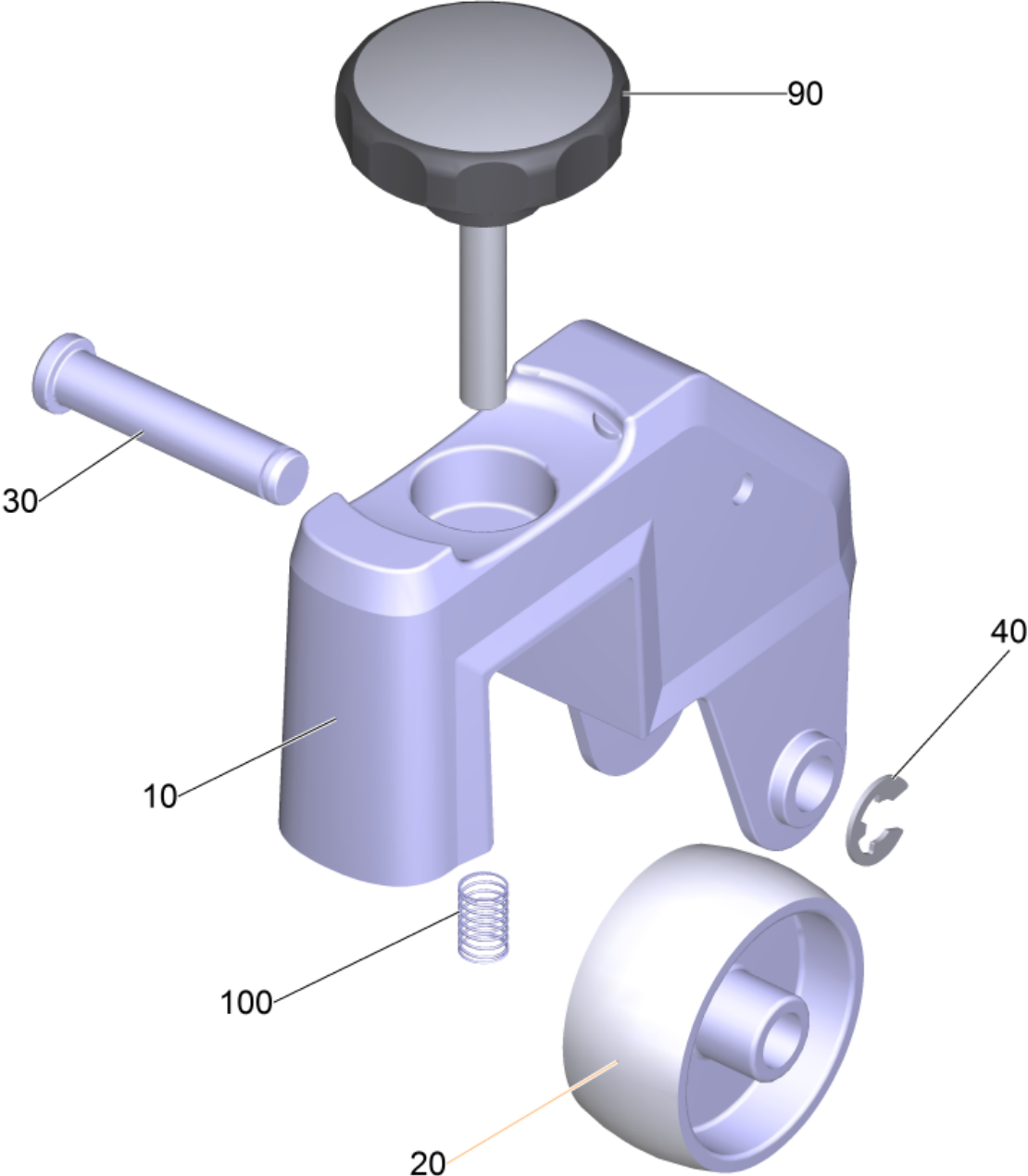


9000 Roller suction bar (4.035-339.0)

POS	Article no.	Description	Quantity	Unit
10	5.101-139.3	Roller holder weight packed	1	PC
20	6.435-401.0	Wheel D54	1	PC
30	5.317-781.0	Bolt roller	1	PC
40	7.343-303.0	Locking ring 8-A2 DIN 6799	1	PC
90	6.321-240.0	Star grip with inscription VA Ø50x43	1	PC
100	5.332-504.0	Pressure spring	1	PC

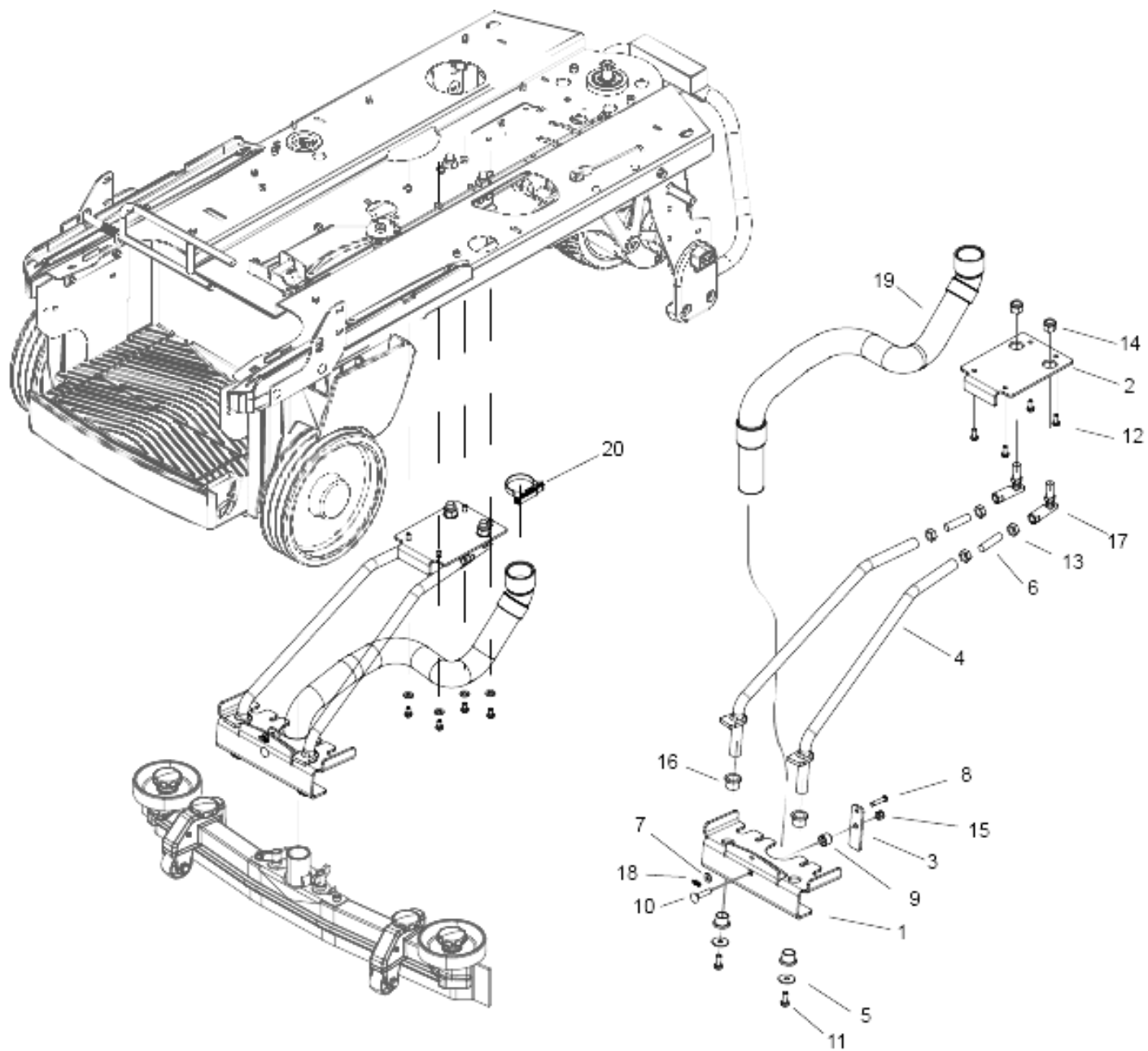
9002 BLADES FOR TEXTURED FLOORS (6.273-290.0)

POS	Article no.	Description	Quantity	Unit
20	6.273-229.0	Rubber lip set anti stripe oil resistant	1	PC



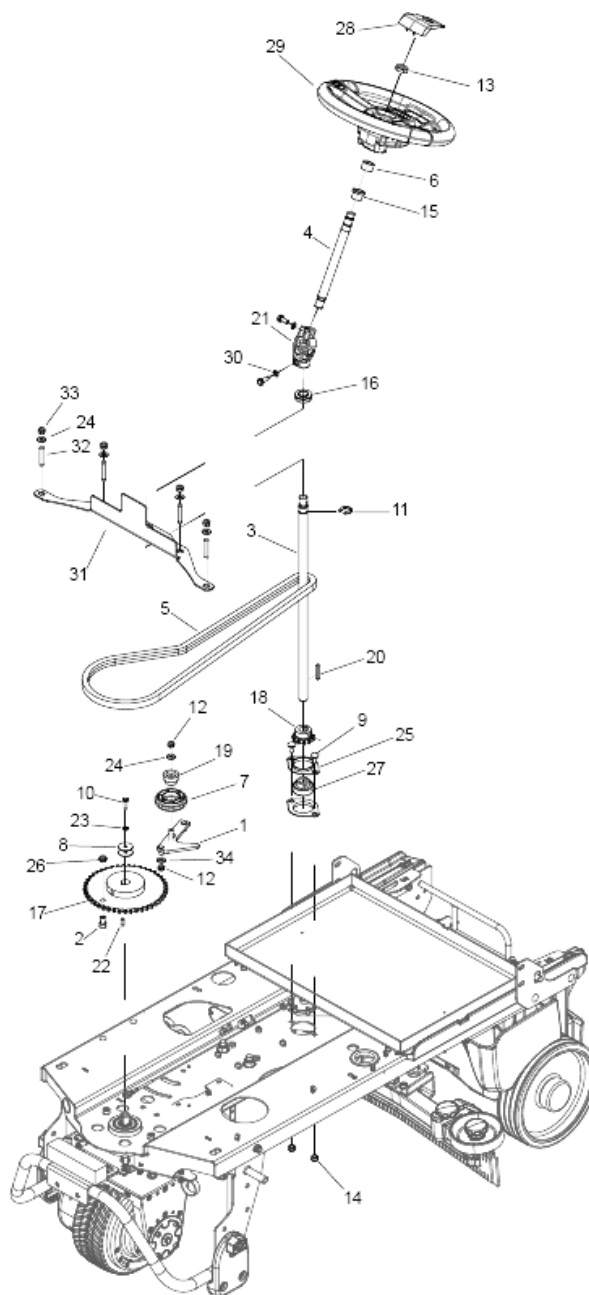
16 Roller suction bar (4.035-339.0)

POS	Article no.	Description	Quantity	Unit
10	5.101-139.3	Roller holder weight packed	1	PC
20	6.435-401.0	Wheel D54	1	PC
30	5.317-781.0	Bolt roller	1	PC
40	7.343-303.0	Locking ring 8-A2 DIN 6799	1	PC
90	6.321-240.0	Star grip with inscription VA Ø50x43	1	PC
100	5.332-504.0	Pressure spring	1	PC



280 Squeegee Swing - Cylindrical

POS	Article no.	Description	Quantity	Unit
1	8.637-064.0	BRKT, SQUEEGEE MOUNT	1	PC
2	8.637-063.0	PLATE, SQUEEGEE PIVOT	1	PC
3	8.637-062.0	PLATE, CABLE PIN	1	PC
4	8.637-061.0	ARM, SQUEEGEE PIVOT	2	PC
5	8.636-725.0	WASHER, .344 X 1.13 X .09 SS	2	PC
6	8.636-236.0	ALL-THREAD, 1/2-20 STL ZNPLT	2	PC
7	8.636-177.0	WASHER, 1/4 FLT SS	1	PC
8	8.627-262.0	PIN, CLEVIS 1/4 X 1.125 STL ZNPLT	1	PC
9	8.632-068.0	SPACER, .311D X .750 X 56LG	1	PC
10	8.627-747.0	SCREW, 5/16-18 X 1.5 CARR SS	1	PC
11	8.627-678.0	SCREW, 5/16-18 X .75 HHCS SS	2	PC
12	8.627-375.0	SCREW, 1/4-20 X .625 HHCS SS NP	4	PC
13	8.627-156.0	NUT, 1/2-20 HEXTHIN STL GRA ZNPLT	4	PC
14	8.627-143.0	NUT, 1/2-20 HEX NYLOCK SS	2	PC
15	8.627-083.0	NUT, 5/16-18 HEX NYLOCK SS	1	PC
16	8.622-879.0	BUSHING, .753 X .875 X .75 FLG	4	PC
17	8.600-908.0	Ball joint ASM, 1/2-20	2	PC
18	8.600-865.0	PIN, COTTER RING 1/4 X .041 X .844	1	PC
19	8.635-430.0	SUCTION HOSE, 1.50"	1	PC
20	8.636-553.0	CLAMP, RACHET, 2.13D	1	PC

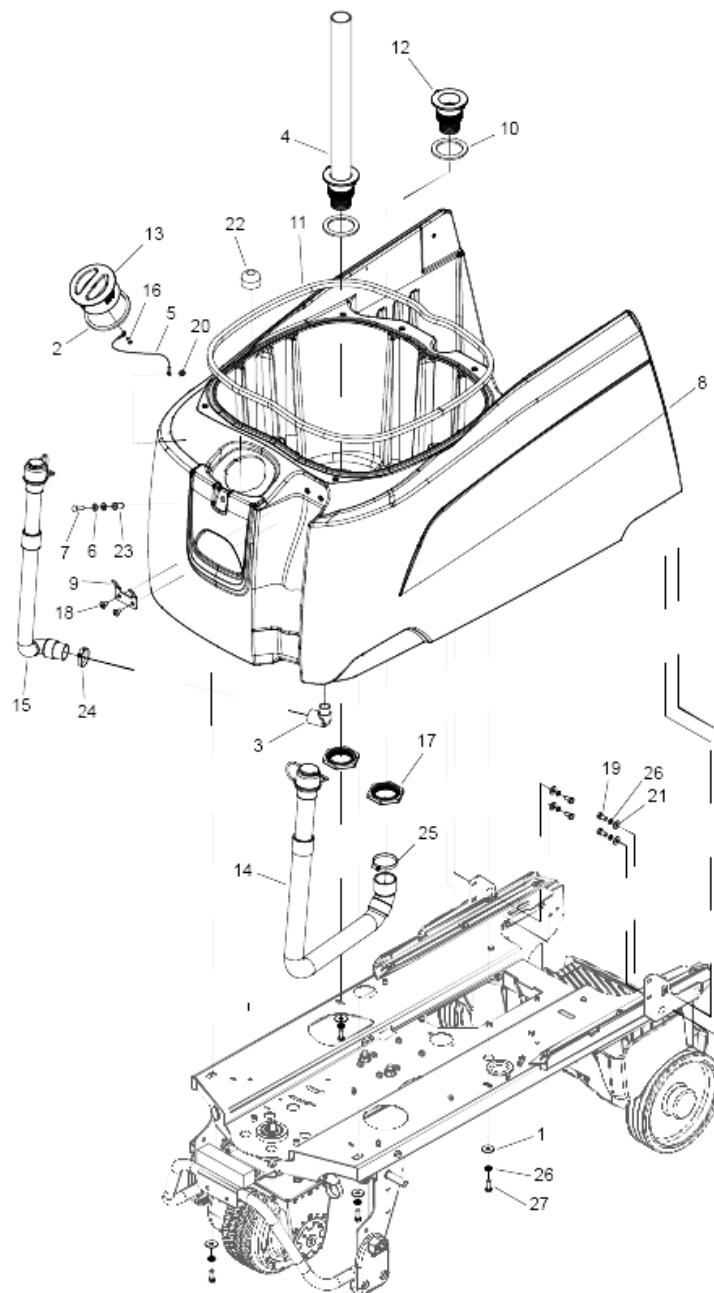


290 Steering

POS	Article no.	Description	Quantity	Unit
1	8.636-137.0	ASM, TENSIONER PLATE	1	PC
2	8.636-121.0	SCREW, 3/8-16 X .625 SCHCS STL BLKOX	1	PC
3	8.635-840.0	SHAFT, LOWER STEERING 2.1"	1	PC
4	8.635-839.0	SHAFT, UPPER STEERING 9.1"	1	PC
5	8.635-838.0	CHAIN,12.7MM PITCH, 118 ROLLER	1	PC
6	8.633-395.0	BUSHING, .751 D X 1 X .625 FLG	1	PC
7	8.633-072.0	CHAIN TENSIONNER	1	PC
8	8.627-894.0	WASHER, 1/4 STL ZNPLT	2	PC
9	8.627-741.0	SCREW, 5/16-18 X .625 CARR SS	2	PC
10	8.627-433.0	SCREW, M6 X 20 HHMS ZNPLT	1	PC
11	8.627-290.0	RING, 3/4" KLIP	1	PC
12	8.627-184.0	NUT, 5/16-18 HEXTHIN NYLOCK SS	3	PC
13	8.627-161.0	NUT, 5/8-18 HEXTHIN NYLOCK STL GR2 ZNPLT	1	PC
14	8.627-184.0	NUT, 5/16-18 HEXTHIN NYLOCK SS	2	PC
15	8.622-879.0	BUSHING, .753 X .875 X .75 FLG	1	PC
16	8.622-867.0	BEARING, 3/4 FLG	1	PC
17	8.622-481.0	SPROCKET, DRIVE WHEEL STEERING	1	PC
18	8.622-480.0	SPROCKET, STEERING SHAFT	1	PC
19	8.622-427.0	SLEEVE, CHAIN TENSIONER	1	PC
20	8.621-965.0	KEY, 5MM SQ X 39MM L	1	PC
21	8.621-960.0	Joint bush	1	PC
22	8.613-597.0	KEY, 3/16 X 3/16 X .625 LCSTL	1	PC
23	8.601-078.0	WASHER, 1/4 SPL STL ZNPLT	1	PC
24	8.601-067.0	WASHER, 5/16 FLT SS	5	PC
25	8.600-861.0	Flanged bearing PRESS STEEL	2	PC
26	8.600-563.0	NUT, 3/8-16 HEXTHIN NYLOCK SS	1	PC
27	8.600-103.0	BEARING, 3/4 SPH BALL	1	PC
28	5.642-035.0	Cap steering wheel	1	PC
	Item text1: replaced by 6.640-353.0			
28	6.640-353.0	Cap steering wheel KÄRCHER	1	PC
29	6.435-799.0	Steering wheel	1	PC
30	8.627-913.0	Washer 5/16 SPLIT LOCK PLTD	2	PC
31	8.636-111.0	BRKT, STEERING	1	PC

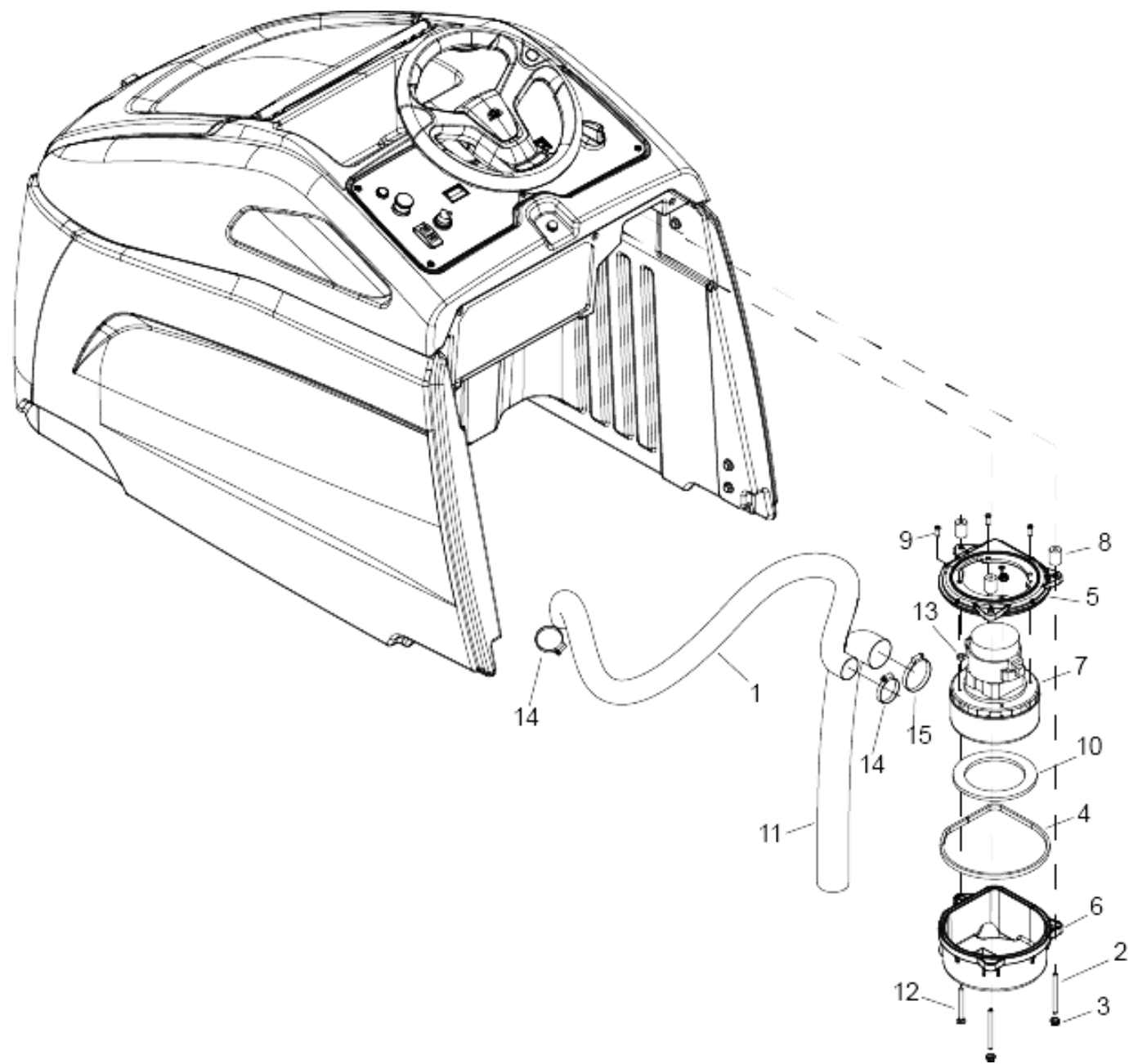
290 Steering

POS	Article no.	Description	Quantity	Unit
32	8.627-808.0	SCREW, 5/16-18 X 1.75 SCHSET CP SS	4	PC
33	8.627-083.0	NUT, 5/16-18 HEX NYLOCK SS	4	PC
34	8.636-725.0	WASHER, .344 X 1.13 X .09 SS	1	PC



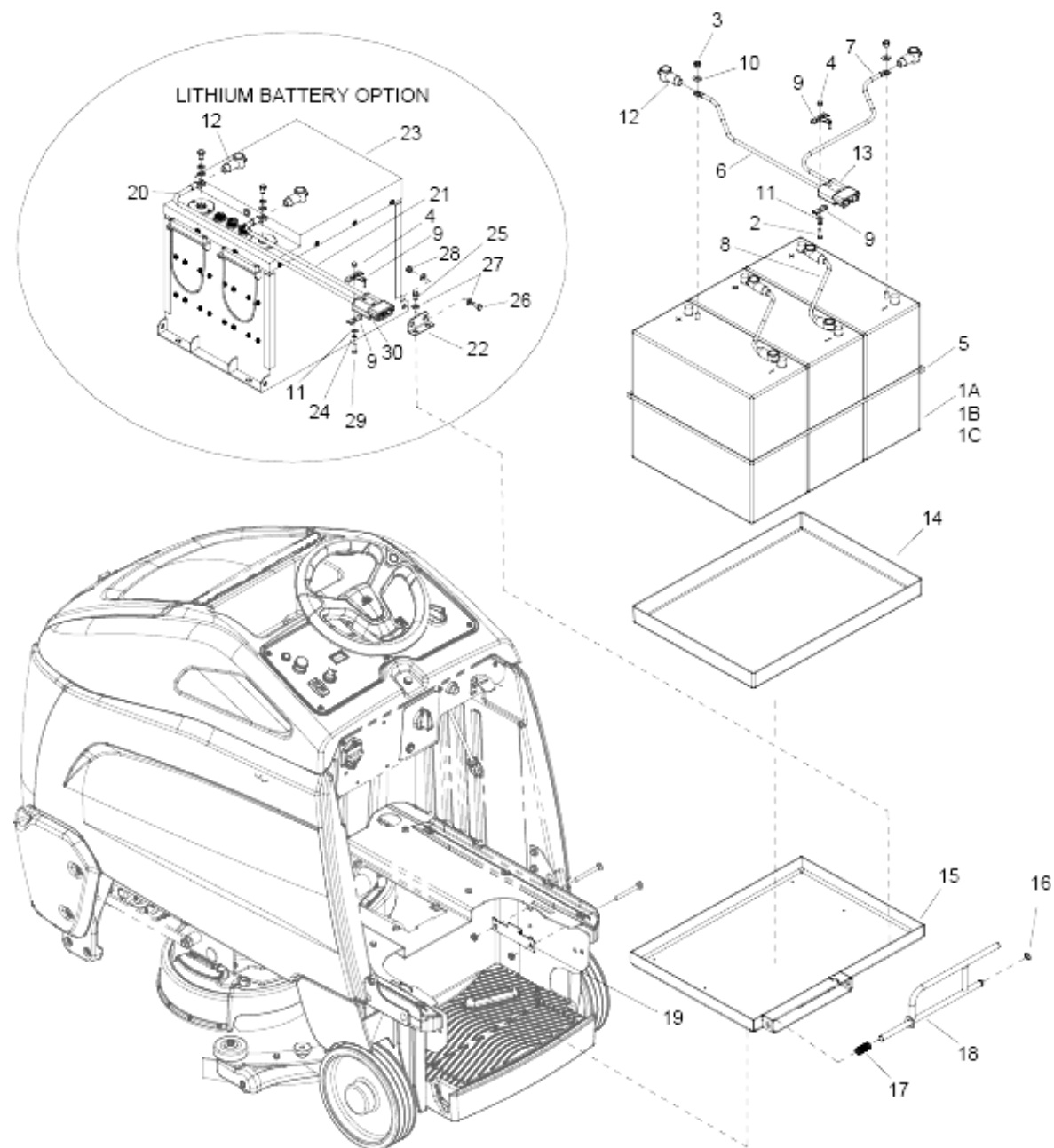
300 Tank

POS	Article no.	Description	Quantity	Unit
1	8.636-725.0	WASHER, .344 X 1.13 X .09 SS	4	PC
2	8.636-645.0	GASKET, SOLUTION FILL	1	PC
3	8.636-238.0	ELBOW, PVC 3/4M X SOC SCH 40	1	PC
4	8.636-192.0	TUBE, ASM, RECOVERY INLET	1	PC
5	8.636-178.0	LANYARD, 12" SS	1	PC
6	8.636-177.0	WASHER, 1/4 FLT SS	2	PC
7	8.636-176.0	SCREW, 1/4-20 X 1.25 RDHCARR SS	1	PC
8	8.639-977.0	TANK, GRAY, CS26	1	PC
9	8.636-065.0	BRKT, HOSE RETENTION	1	PC
10	8.636-064.0	GASKET, 3.30 X 2.45 X .188	2	PC
11	8.636-063.0	GASKET, MAIN TANK	1	PC
12	8.635-906.0	BULKHEAD FITTING	1	PC
13	8.639-380.0	CAP, FRESH WATER, YLW	1	PC
14	8.635-427.0	HOSE, RECOVERY DRAIN	1	PC
15	8.635-395.0	HOSE, SOLUTION DRAIN	1	PC
16	7.303-104.0	Screw 5x16 -A2-70 (IN6RD)	1	PC
17	8.631-408.0	NUT, DRAIN FITTING	2	PC
18	8.627-748.0	SCREW, 5/16-18 X .5 PHTRHMS SS	2	PC
19	8.627-649.0	SCREW, 5/16-18 X .625 HHCS SS	4	PC
20	8.627-194.0	NUT, 1/4-20 ACORN SS	1	PC
21	8.601-067.0	WASHER, 5/16 FLT SS	4	PC
22	8.600-797.0	Strainer 3/8 IN. NPT 60 MESH	1	PC
23	8.600-562.0	NUT, 1/4-20 WELL	1	PC
24	8.600-240.0	Clamp 2.0" WORM GEAR X .312W	1	PC
25	8.600-238.0	Clamp 2.25" WORM GEAR	1	PC
26	8.627-913.0	Washer 5/16 SPLIT LOCK PLTD	8	PC
27	8.627-678.0	SCREW, 5/16-18 X .75 HHCS SS	4	PC



310 Vacuum

POS	Article no.	Description	Quantity	Unit
-	8.683-043.0	Carbon brush for 24/36V C-motor	1	PC
1	8.636-099.0	HOSE, 1.5 BLK VAC X 40"	1	PC
2	8.636-032.0	SCREW, 1/4-20 X 3 SCHSET CP SS	2	PC
3	8.636-031.0	NUT, 1/4-20 FLG NYLOCK SS	3	PC
4	8.636-027.0	GASKET, .188 X .31 X 22.8	1	PC
5	8.635-904.0	VAC HOUSING, UPPER	1	PC
6	8.635-903.0	VAC HOUSING, LOWER	1	PC
7	8.635-811.0	VAC MOTOR, 36VDC 2ST PD	1	PC
8	8.632-750.0	BUSHING, .250 X .75 X 1 MOUNT VIBRATION	3	PC
9	8.631-763.0	SCREW, 8-15 X .75 PHPNHSMS ZN TYPEA	4	PC
10	8.631-292.0	GASKET, VAC MOTOR	1	PC
11	8.628-099.0	HOSE, VAC EXHAUST X 24"	1	PC
12	8.627-635.0	SCREW, 1/4-20 X 2.5 CARR LCSTL BLK ZNPLT	1	PC
13	8.627-077.0	Nut	1	PC
14	8.600-240.0	Clamp 2.0" WORM GEAR X .312W	2	PC
15	8.600-238.0	Clamp 2.25" WORM GEAR	1	PC

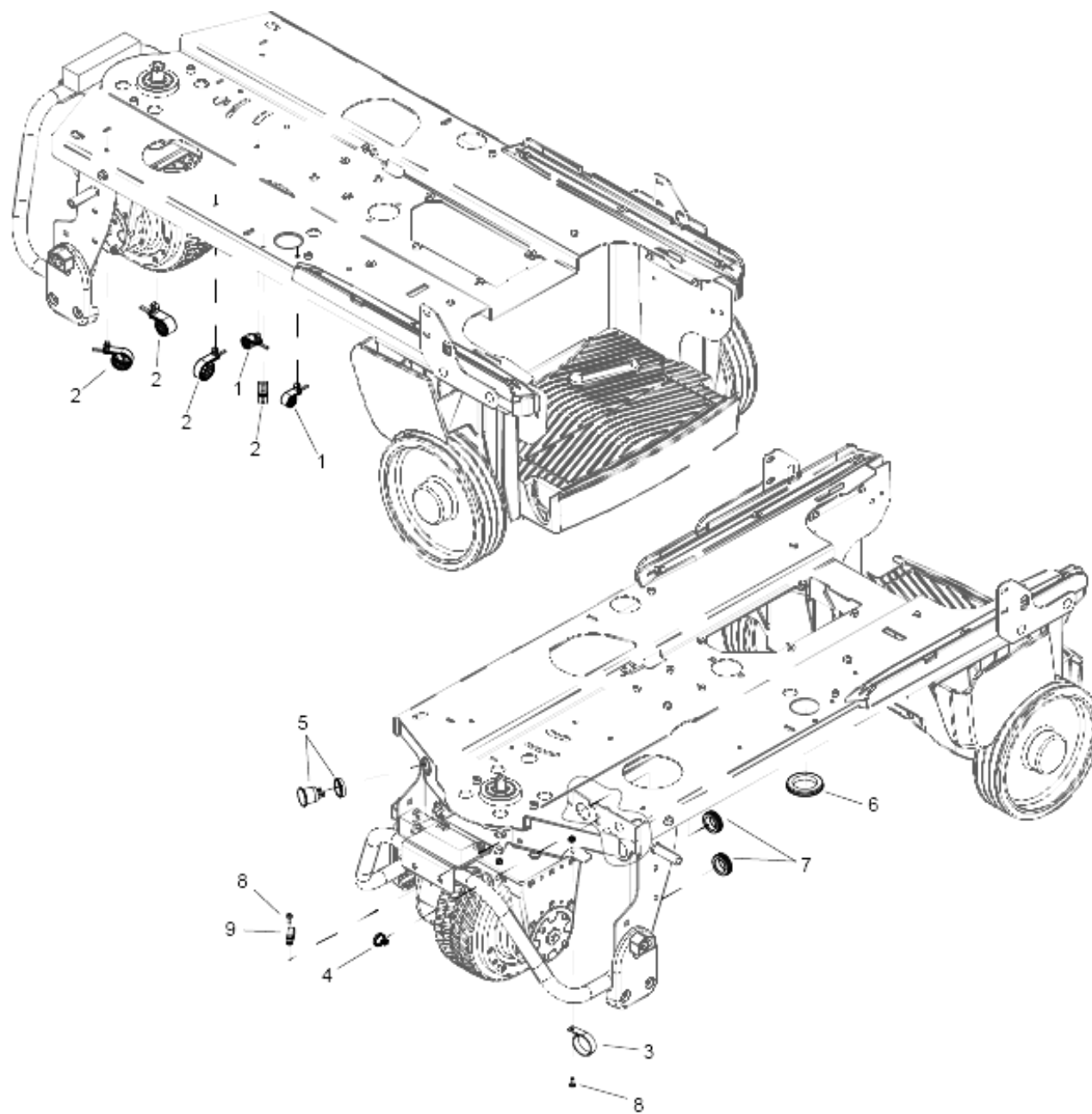


320 Wiring-Batteries

POS	Article no.	Description	Quantity	Unit	valid from	Remark
-	8.642-976.0	Fuse 150A lithium 36V 12-36-6700	1	PC		Lithium
1	8.622-841.0	BATTERY 12V 205AH	3	PC		Except Lithium
1	8.622-843.0	BATTERY, 12V AGM 234AH	3	PC		Except Lithium
1	8.628-341.0	BATTERY, 12V, 225AH (J185H-AC)	3	PC		Except Lithium
2	8.627-398.0	SCREW, 10-32 X .75 PHPNHMS SS	1	PC		
3	8.627-191.0	Nut 5/16-18 FLEX LK STL GRA ZNPLT	6	PC		Except Lithium
4	8.627-089.0	NUT, 10-32 ACORN STL NKLPLT	1	PC		
5	8.626-496.0	CABLE TIE, .375 X 43"	2	PC		Except Lithium
6	8.626-061.0	WIRE, 4X25RD CTERM X 3/8RING	1	PC		Except Lithium
7	8.626-023.0	WIRE, 4X30 BK CTERM X 3/8RING	1	PC		Except Lithium
8	8.626-020.0	WIRE4X14.5BK 3/8RINGX3/8RING	2	PC		Except Lithium
9	8.623-336.0	Clamp	1	PC		
10	8.601-067.0	WASHER, 5/16 FLT SS	6	PC		Except Lithium
11	8.601-065.0	WASHER, .203 X .562 X .040 FLT	1	PC		
12	8.600-892.0	BOOT, RUBBER TERM. ISOLATOR	2	PC		Lithium Only
12	8.600-892.0	BOOT, RUBBER TERM. ISOLATOR	6	PC		Except Lithium
13	8.600-876.0	CONNECTOR 175 DCA GRY W/O TERMS	1	PC		Except Lithium
14	8.639-814.0	TRAY, BATTERY CS26	1	PC		
15	8.635-950.0	ASM, BATTERY TRAY	1	PC		Except Lithium
16	8.627-281.0	Ring 1/2 EXT.SNAP H-D	1	PC		
17	8.625-499.0	SPRING,COMP, 63ODX3.5LX.047W	1	PC		
18	8.609-291.0	LATCH ROD, BATTERY TRAY	1	PC		
19	8.636-002.0	PLATE, BATTERY STOP	2	PC		
20	8.642-842.0	Wire 1/0 28in black contact term M8 ring	1	PC		
21	8.642-841.0	Wire 1/0 20in red contact term M8 ring	1	PC		
22	8.642-838.0	BRKT, LITHIUM BATTERY MOUNT	4	PC		
23	8.642-837.0	BATTERY, 36V LITHIUM, LARGE	1	PC		
24	8.627-947.0	WASHER, 10 SPL STL ZNPLT	1	PC		Lithium Only
25	8.627-383.0	SCREW, 1/4-20 X .5 HHCS SS NP	4	PC		Lithium Only
26	8.627-378.0	SCREW, 1/4-20 X .75 HHCS SS NP	4	PC		Lithium Only
27	8.601-063.0	WASHER, 1/4 SS	12	PC		Lithium Only
28	7.777-999.0	Stockpiling discontinued	4	PC		Lithium Only
29	8.600-683.0	SCREW, 10-32 X 1 PHPNHMS STL ZNPLT	1	PC		

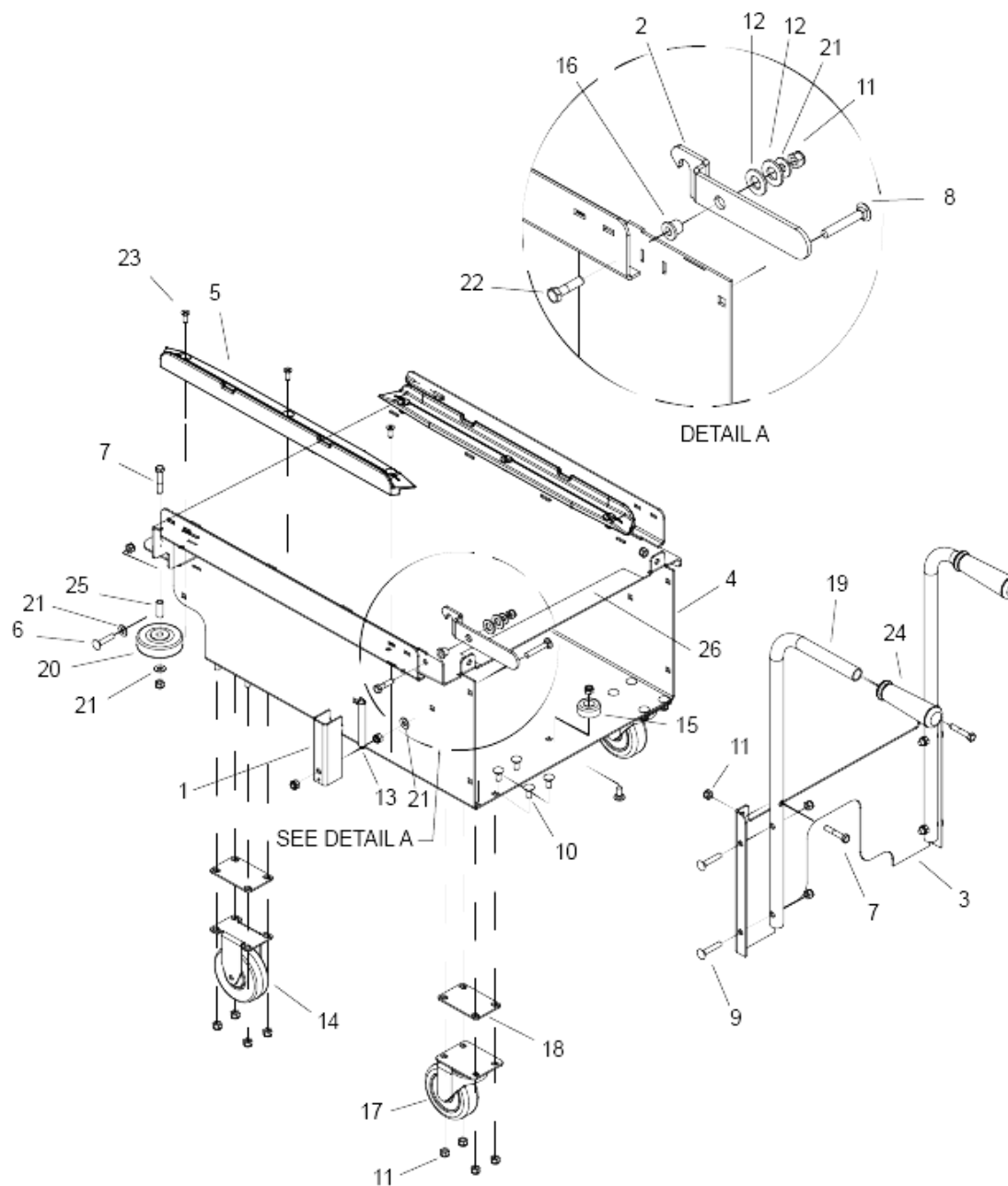
320 Wiring-Batteries

POS	Article no.	Description	Quantity	Unit	valid from	Remark
30	8.643-084.0	Connector SB175 yellow without terms	1	PC	8	Lithium Only



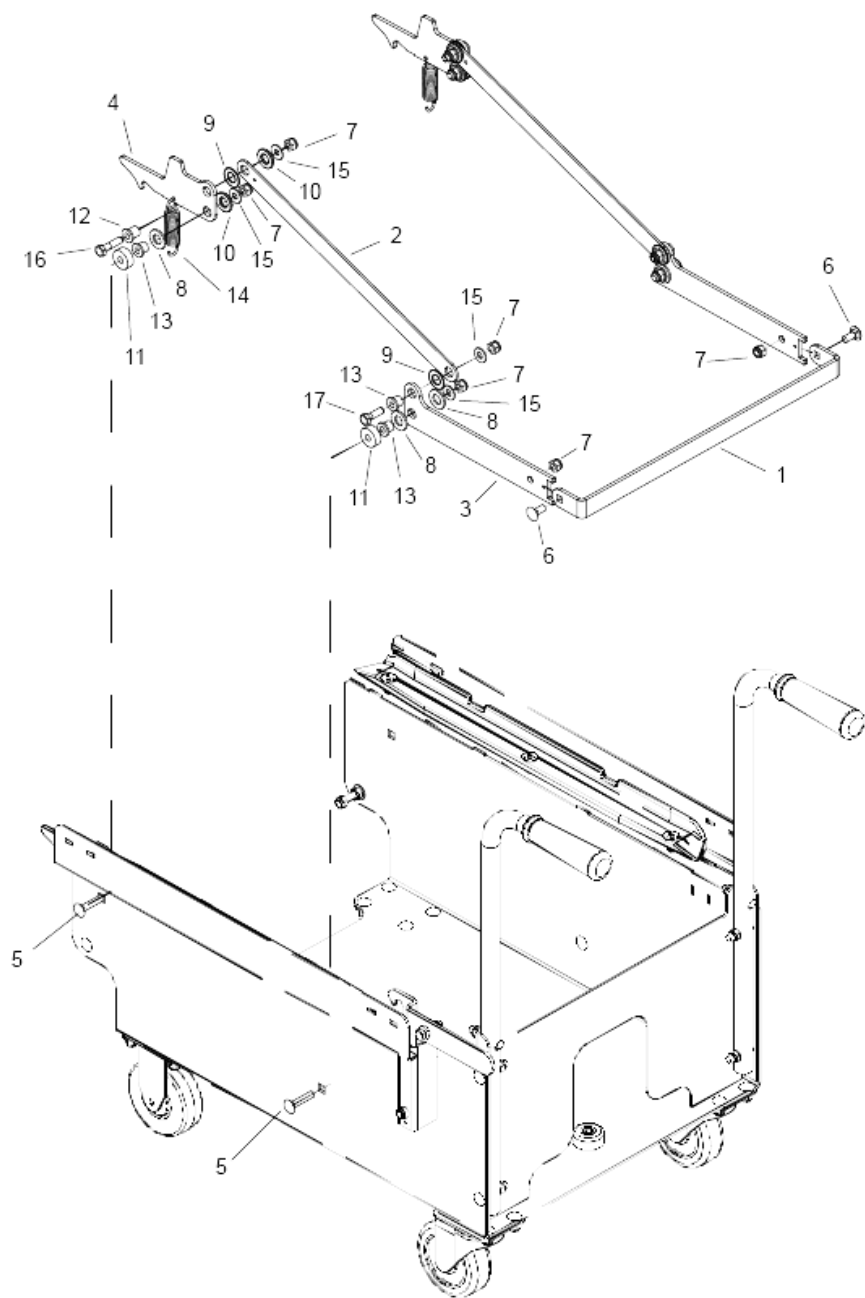
330 Wiring-Components

POS	Article no.	Description	Quantity	Unit
1	8.636-123.0	CLAMP, PAN 3/4"	2	PC
2	8.636-122.0	CLAMP, PAN 1-1/4"	4	PC
3	8.632-627.0	CLAMP, 1.5 DIA	1	PC
4	8.626-494.0	Cable tie 11.38" UL/CSA	1	PC
5	8.623-972.0	HORN, 108DB MINATURE W/RING	1	PC
6	8.623-850.0	GROMMET,1.703IDX2.5.ODX.125GRV	1	PC
7	8.623-843.0	GROMMET 1.00 ID 3/16 GRIP	2	PC
8	8.627-247.0	PIN, CLEVIS 3/16 X .75 STL ZNPLT	2	PC
9	8.619-846.0	CLAMP, 5/8 NYLON UL/CSA	1	PC



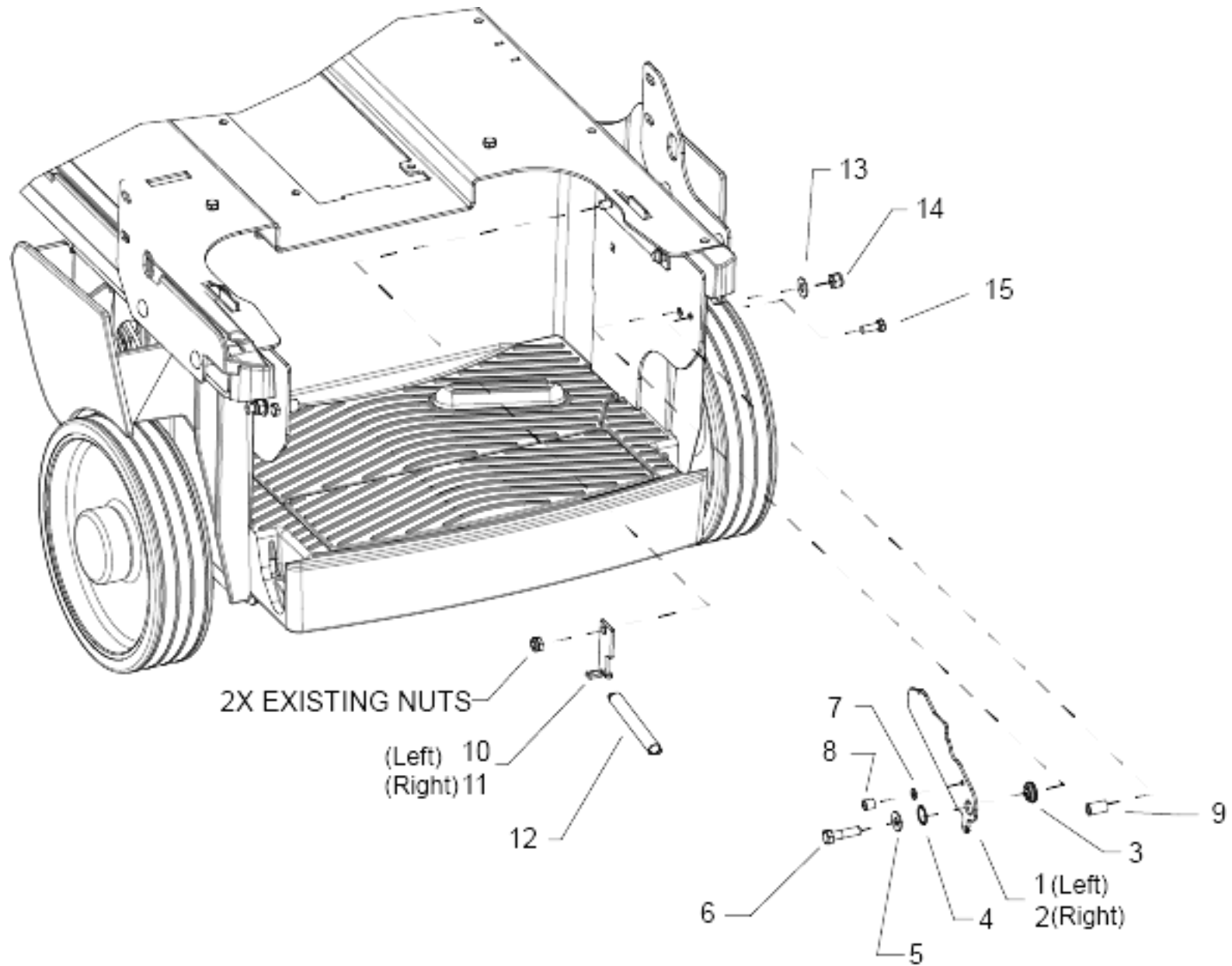
340 Battery Exchange - 1

POS	Article no.	Description	Quantity	Unit
1	8.635-945.0	BRKT, SPRING COVER, CART	1	PC
2	8.635-940.0	BRKT, TRAY CATCH	1	PC
3	8.635-939.0	BRKT, BACK, CART	1	PC
4	8.635-938.0	ASM, FRAME, BATTERY CART	1	PC
5	8.635-819.0	GLIDE, BATTERY TRAY	2	PC
6	8.627-747.0	SCREW, 5/16-18 X 1.5 CARR SS	2	PC
7	8.627-679.0	SCREW, 5/16-18 X 1.75 HHCS SS	4	PC
8	8.627-671.0	SCREW, 5/16-18 X 2 CARR SS	1	PC
9	8.627-669.0	SCREW, 5/16-18 X 1.75 CARR SS	4	PC
10	8.627-607.0	SCREW, 5/16-18 X .75 CARR SS	17	PC
11	8.627-083.0	NUT, 5/16-18 HEX NYLOCK SS	32	PC
12	8.625-942.0	WASHER, .510 X 1 THR	2	PC
13	8.625-489.0	Spring EXT, .50D X 4.0L	1	PC
14	8.623-259.0	CASTER, 4" HARD RUBBER RIGID	2	PC
15	8.623-109.0	BUMPER, RUBBER 5/16" ID X 1.50	1	PC
16	8.622-884.0	BUSHING, .314 X .502 X .5 FLG	1	PC
17	8.619-943.0	CASTER SWIVEL 4" 250# CPCTY	2	PC
18	7.777-999.0	Stockpiling discontinued	4	PC
19	7.777-999.0	Stockpiling discontinued	2	PC
20	8.601-102.0	Wheel 3" DIA CUSHION RUBBER	2	PC
21	8.601-067.0	WASHER, 5/16 FLT SS	6	PC
22	8.600-702.0	SCREW, 5/16-18 X 1.25 HHCS SS NP	1	PC
23	8.640-081.0	SCREW, 1/4-20 X .75 PHFLHMS SS	6	PC
24	8.600-407.0	GRIP, POLISHER HANDLE	2	PC
25	8.600-135.0	BUSHING, SPANNER .435 X 1.10	2	PC
26	8.624-428.0	LABEL, BATTERY CART OPERATION	1	PC



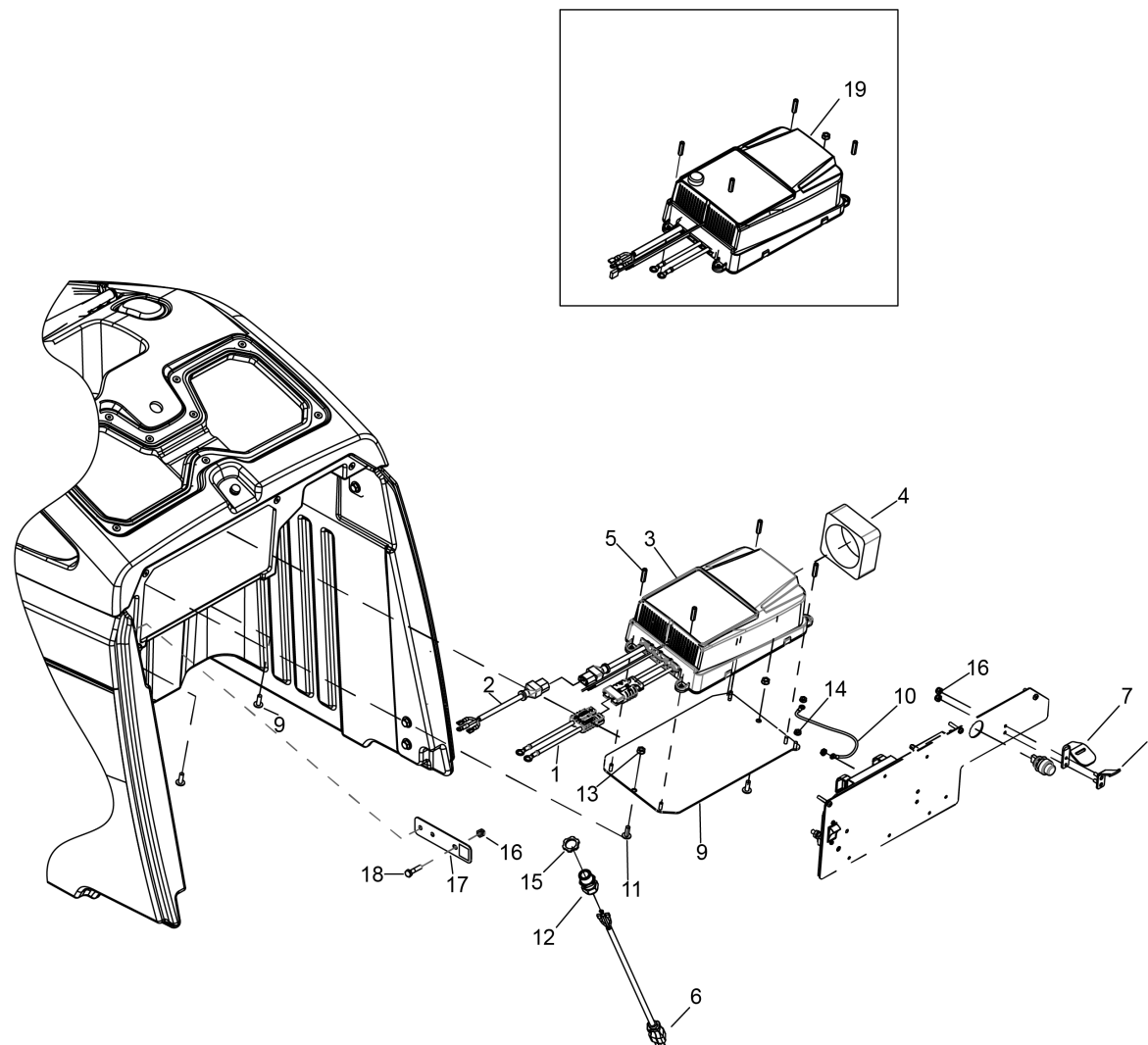
350 Battery Exchange - 2

POS	Article no.	Description	Quantity	Unit
1	8.635-944.0	BRKT, PEDAL, CART	1	PC
2	8.635-943.0	PLATE, LATCH LINK, CART	2	PC
3	8.635-942.0	PLATE, PEDAL LINK, CART	2	PC
4	8.635-941.0	PLATE, LATCH CART	2	PC
5	8.627-747.0	SCREW, 5/16-18 X 1.5 CARR SS	4	PC
6	8.627-607.0	SCREW, 5/16-18 X .75 CARR SS	2	PC
7	8.627-083.0	NUT, 5/16-18 HEX NYLOCK SS	10	PC
8	8.625-942.0	WASHER, .510 X 1 THR	6	PC
9	8.625-941.0	WASHER, .51 X 10 X .063 THR	4	PC
10	8.625-940.0	WASHER, .51 THR	4	PC
11	8.625-428.0	WASHER, .321 X 1 X .375 NYL BLK	4	PC
12	8.623-115.0	BUSHING, .314 X .502 X .625 FLG	2	PC
13	8.622-884.0	BUSHING, .314 X .502 X .5 FLG	6	PC
14	8.622-683.0	Spring EXT .68D X3.00L X.098W	2	PC
15	8.601-067.0	WASHER, 5/16 FLT SS	8	PC
16	8.600-702.0	SCREW, 5/16-18 X 1.25 HHCS SS NP	2	PC
17	8.627-576.0	Screw 5/16-18 X 1 HHCS GR8 PLTD	2	PC



360 Battery Exchange - 3

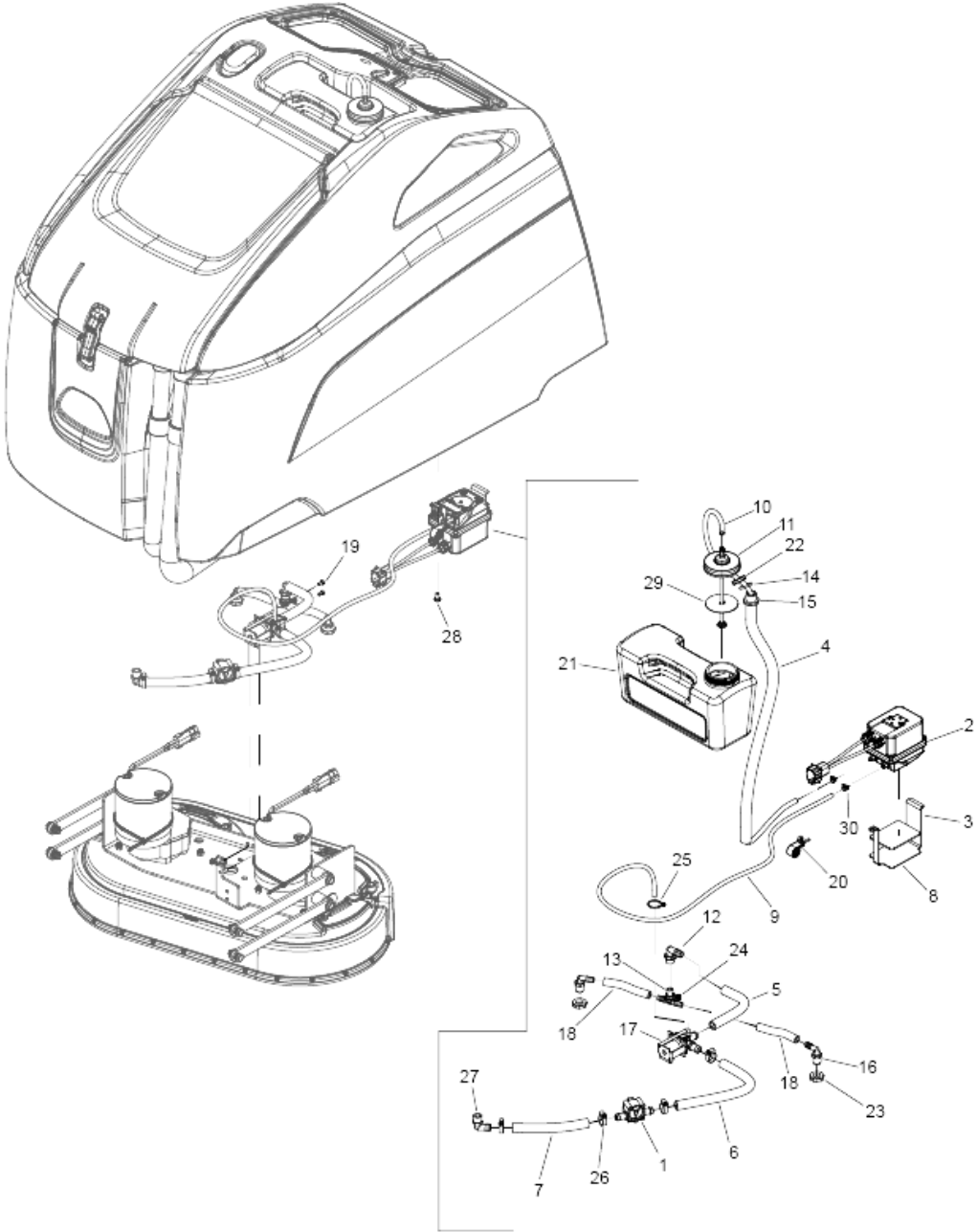
POS	Article no.	Description	Quantity	Unit
1	8.636-004.0	BATTERY STOP, LEFT	1	PC
2	8.636-005.0	BATTERY STOP, RIGHT	1	PC
3	8.631-967.0	SLEEVE, BEARING	2	PC
4	8.636-376.0	PLATE, SHIM .030" THICK	2	PC
5	8.601-067.0	WASHER, 5/16 FLT SS	2	PC
6	8.600-702.0	SCREW, 5/16-18 X 1.25 HHCS SS NP	2	PC
7	8.627-919.0	WASHER, 10 FLT STL ZNPLT	2	PC
8	8.636-009.0	STANDOFF, RND, 3/8OD, 10-32X3/8	2	PC
9	8.629-820.0	STANDOFF, .43 OD, 1/4-20 X.75L	2	PC
10	8.636-006.0	BRKT, SPING MOUNT, LT	1	PC
11	8.636-007.0	BRKT, SPRING MOUNT, RT	1	PC
12	8.625-489.0	Spring EXT, .50D X 4.0L	2	PC
13	8.601-067.0	WASHER, 5/16 FLT SS	2	PC
14	8.627-083.0	NUT, 5/16-18 HEX NYLOCK SS	2	PC
15	8.627-378.0	SCREW, 1/4-20 X .75 HHCS SS NP	2	PC



SEE SERIAL NUMBER PAGE IN SPARE PARTS LIST FOR REFERENCE

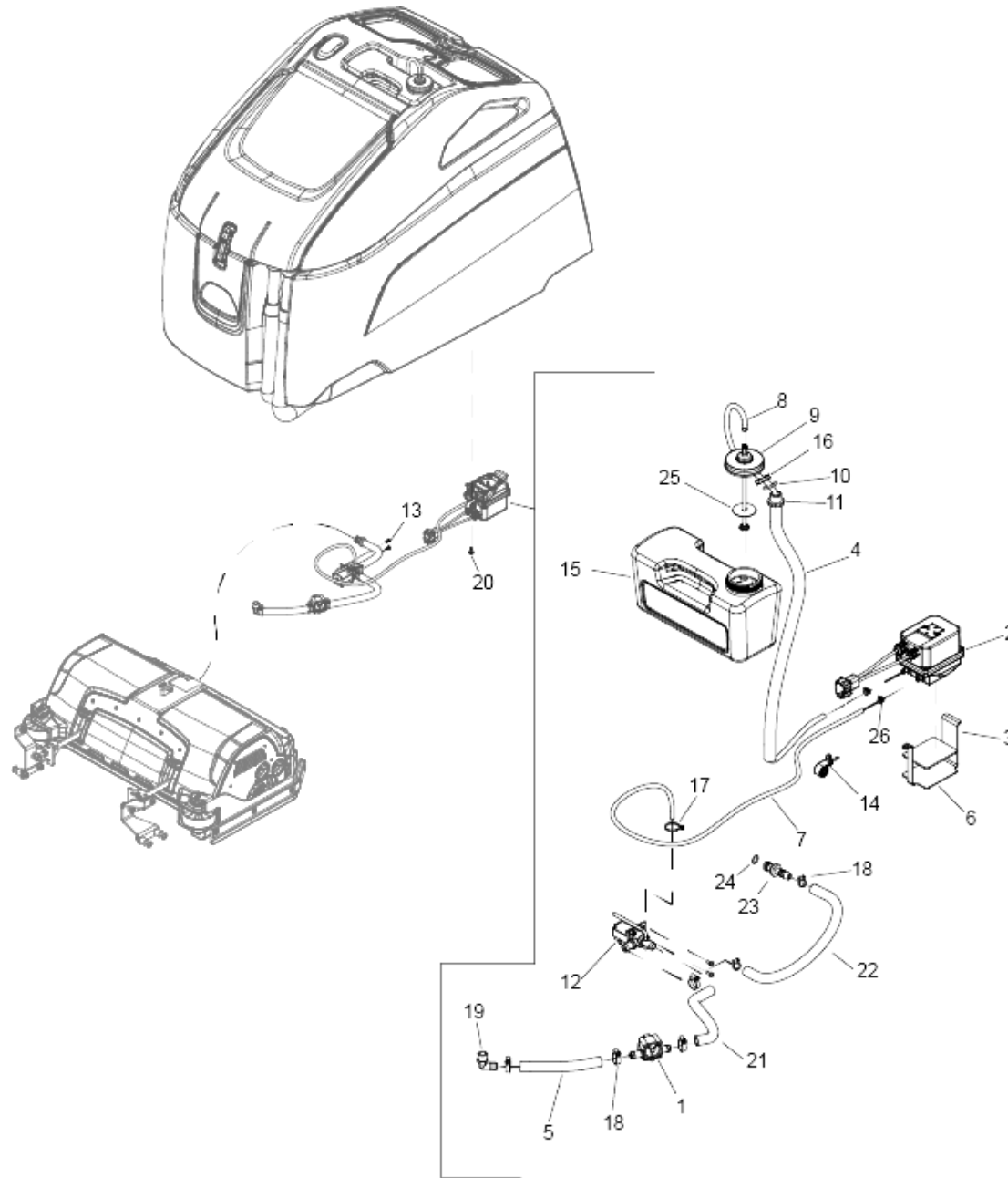
370 Onboard Charger

POS	Article no.	Description	Quantity	Unit	valid from
1	8.641-492.0	CABLE ASM, SB50 TO RING	1	PC	7
2	8.641-491.0	CORD ASM, 14/3 SJTX4IN IEC TO SPADE	1	PC	7
3	8.641-490.0	CHARGER, SPE 36V 25A CBHF2-PFC	1	PC	7
4	8.636-947.0	COVER, OBC VENT	1	PC	
5	8.636-608.0	STANDOFF, 10-32 X 1.0 NYL	4	PC	
6	8.636-380.0	CORD ASM, 16/3 SJT X 6FT BLK	1	PC	
7	8.636-144.0	STRAP, CORD	1	PC	
8	8.636-143.0	BRKT, CORD	1	PC	
9	8.636-109.0	PLATE, OBC MOUNT	1	PC	
10	8.630-799.0	WIRE, 10" GRN/14 76010 X 76010	1	PC	
11	8.627-764.0	SCREW, 1/4-20 X .75 PHTRHMS SS	2	PC	
12	8.625-618.0	STRAIN RELIEF, 1/2 NPT (.48ID)	1	PC	
13	8.600-571.0	NUT, 1/4-20 HEXSTRW LK STL ZNPLT	2	PC	
14	8.600-570.0	NUT, 10-32 HEXSTRW LK STL ZNPLT	3	PC	
15	8.600-567.0	NUT, 1/2-14 CONDUIT LK STL ZNPLT	1	PC	
16	8.600-564.0	NUT, 10-32 HEX NYLOCK STL GR2 ZNPLT	2	PC	
17	8.637-156.0	Plate OBC LOCK	1	PC	
18	8.627-374.0	SCREW, 1/4-20 X 1.5 HHCS SS	1	PC	
19	8.636-046.0	CHARGER, SPE 36V 20A CBHF2	1	PC	



380 Chemical Metering Solution System - Disk

POS	Article no.	Description	Quantity	Unit
-	4.035-476.0	Hose kit replacement SEKO	1	PC
-	8.636-992.0	CAP, STORAGE, 70 MM	1	PC
-	8.637-045.0	KIT, CHEMICAL BOTTLE 3-PACK	1	PC
1	6.429-038.3	Flowmetre	1	PC
2	8.636-439.0	PUMP, CHEMICAL DOSING	1	PC
3	8.636-399.0	BRKT, CHEMICAL PUMP	1	PC
4	8.636-398.0	HOSE, 5/8ID X .12W CLR X 25"	1	PC
5	8.636-397.0	HOSE, 1/2ID WIREBOUND X 8.25"	1	PC
6	8.636-396.0	HOSE 1/2ID WIREBOUND X 15"	1	PC
7	8.636-395.0	HOSE, 1/2ID WIREBOUND X 6.25"	1	PC
8	8.636-394.0	PAD, CHEMICAL PUMP	1	PC
9	8.636-390.0	HOSE, 3/16ID X 5/16OD X 41, CLR	1	PC
10	8.640-159.0	HOSE, 3/16ID X 5/16OD X 47, CLR	1	PC
11	8.636-388.0	CAP, 70MM DISPENSING, FLTR, BLK	1	PC
12	8.636-298.0	ELBOW, 1/4FPT X 1/2BARB 90 DEG NYL	1	PC
13	8.636-297.0	TEE, 1/4 MPT X 3/8 BARBS, NYL	1	PC
14	8.636-285.0	O-RING, .86 ID X .14W, BUNA-N	1	PC
15	8.636-284.0	FTG, 1/2 MPT X 1/2 CONDUIT, NYL	1	PC
16	8.600-155.0	Hose connection	2	PC
17	8.636-169.0	VALVE, 36V SOL, 1/2 BARB, MC	1	PC
18	8.628-133.0	HOSE, 3/8ID WIRE BOUND X 4"	2	PC
19	8.600-652.0	SCREW, 8-32 X .375 PHPNHMS SS	2	PC
20	8.636-123.0	CLAMP, PAN 3/4"	1	PC
21	8.635-901.0	CHEMICAL BOTTLE	1	PC
22	8.627-185.0	NUT, 1/2-13 LK NYL BLK	1	PC
23	8.627-183.0	NUT, 3/8-16 LK NYL BLK	2	PC
24	8.626-494.0	Cable tie 11.38" UL/CSA	1	PC
25	8.626-493.0	CABLE TIE, 3.5" UL/CSA	1	PC
26	8.623-315.0	CLAMP, 3/8 HOSE (D-SLOT)	4	PC
27	8.619-794.0	HOSEBARB, 3/8MPTX1/2 90D DL	1	PC
28	8.622-374.0	SCREW, 1/4-20 X .59 PHPNHMS SS	1	PC
29	8.640-224.0	GASKET, 2.66OD X .06 THICK	1	PC
30	8.640-234.0	CLAMP, HOSE, .38 BAND	2	PC



390 Chemical Metering Solution System - Cyli

POS	Article no.	Description	Quantity	Unit
-	4.035-476.0	Hose kit replacement SEKO	1	PC
-	8.636-992.0	CAP, STORAGE, 70 MM	1	PC
-	8.637-045.0	KIT, CHEMICAL BOTTLE 3-PACK	1	PC
1	6.429-038.3	Flowmetre	1	PC
2	8.636-439.0	PUMP, CHEMICAL DOSING	1	PC
3	8.636-399.0	BRKT, CHEMICAL PUMP	1	PC
4	8.636-398.0	HOSE, 5/8ID X .12W CLR X 25"	1	PC
5	8.636-395.0	HOSE, 1/2ID WIREBOUND X 6.25"	1	PC
6	8.636-394.0	PAD, CHEMICAL PUMP	1	PC
7	8.637-174.0	HOSE, 3/16ID X 5/16OD X 24, CLR	1	PC
8	8.640-159.0	HOSE, 3/16ID X 5/16OD X 47, CLR	1	PC
9	8.636-388.0	CAP, 70MM DISPENSING, FLTR, BLK	1	PC
10	8.636-285.0	O-RING, .86 ID X .14W, BUNA-N	1	PC
11	8.636-284.0	FTG, 1/2 MPT X 1/2 CONDUIT, NYL	1	PC
12	8.636-169.0	VALVE, 36V SOL, 1/2 BARB, MC	1	PC
13	8.600-652.0	SCREW, 8-32 X .375 PHPNHMS SS	2	PC
14	8.636-123.0	CLAMP, PAN 3/4"	1	PC
15	8.635-901.0	CHEMICAL BOTTLE	1	PC
16	8.627-185.0	NUT, 1/2-13 LK NYL BLK	1	PC
17	8.626-493.0	CABLE TIE, 3.5" UL/CSA	1	PC
18	8.623-315.0	CLAMP, 3/8 HOSE (D-SLOT)	6	PC
19	8.619-794.0	HOSEBARB, 3/8MPTX1/2 90D DL	1	PC
20	8.622-374.0	SCREW, 1/4-20 X .59 PHPNHMS SS	1	PC
21	8.637-084.0	HOSE, 1/2ID WIREBOUND X 9.25"	1	PC
22	8.630-277.0	Hose 1/2 x 14"	1	PC
23	5.443-375.0	Hose stem	1	PC
24	6.362-170.0	O-Ring seal 11,3 X 2,4-NBR 70	1	PC
25	8.640-224.0	GASKET, 2.66OD X .06 THICK	1	PC
26	8.640-234.0	CLAMP, HOSE, .38 BAND	2	PC

Serial Numbers

REF. NO.	MODEL: SERIAL #
1	1006150000603, 1006151000464, 1006152000035, 1006153000053, 1006158000136, 1006159000188, 1006160000006, 1006161000026
2	1006150000715, 1006151000570, 1006158000164, 1006159000206
3	1006150000792, 1006151000647, 1006158000175, 1006159000225
4	1006152000061, 1006153000082, 1006160000006, 1006161000034, 1006150000798, 1006151000649, 1006158000175, 1006159000228
5	1006152000061, 1006153000082, 1006160000006, 1006161000035
6	1006150000909, 1006151000737, 1006152000344, 1006153000092, 1006158000198, 1006159000244, 1006160000008, 1006161000039
7	1006151000847, 1006153000110, 1006159000259, 1006161000042, 1006168000482, 1006179000064, 1012597000048

If you see a ref number with an (*) in either the "Serial number from" column or "Serial number to" column in a parts list, it is referring to the serial numbers with the corresponding ref number in this serial number list.

The serial number indicates the first machine the part number is applicable to. The main illustration shows the most current design of the machine. When a boxed illustration is shown, it displays the older design.

500 iScrub26 Serial Numbers

POS	Description	Quantity	Unit
10	SERIAL NUMBER PAGE	1	PC