



# Spare Parts List

## Models:

- |             |   |             |  |
|-------------|---|-------------|--|
| 1.008-008.0 | ISCRUB 20 130 A/H SHLF CHRGR PD DRVR    | 1.008-122.0 | ISCRUB 20 DLX 130AH SHLF CHG PD DRVR CM  |
| 1.008-009.0 | ISCRUB 20 130 A/H OBC PAD DRVR          | 1.008-123.0 | ISCRUB 20 DLX 114AH SHLF CHG PD DRVR CM  |
| 1.008-010.0 | ISCRUB 20 114 AH AGM SHLF CHRGR PD DRVR | 1.008-124.0 | ISCRUB 20 DLX 114AH AGM OBC PD DRVR CM   |
| 1.008-011.0 | ISCRUB 20 114 AH AGM OBC PAD DRVR       | 1.008-125.0 | ISCRUB 20 DLX 130AH SHLF CHG BRSH CM     |
| 1.008-012.0 | ISCRUB 20 130 AH SHLF CHRGR PLY BR      | 1.008-126.0 | ISCRUB 20 DLX 114AH AGM OBC BRSH CM      |
| 1.008-013.0 | ISCRUB 20 130 AH OBC POLY BRUSH         | 1.008-127.0 | ISCRUB 22SP 130AH SHLF CHG CM            |
| 1.008-014.0 | ISCRUB 20 114 AH AGM SHLF CHRGR PLY BR  | 1.008-128.0 | ISCRUB 22SP 114AH AGM SHLF CHG CM        |
| 1.008-015.0 | ISCRUB 20 114 AH AGM OBC POLY BRUSH     | 1.008-129.0 | ISCRUB 22SP 114AH AGM OBC CM             |
| 1.008-016.0 | ISCRUB 20 DLX 130 AH SHLF CHRGR PD DRVR | 1.008-136.0 | ISCRUB 20 DLX ORB 130AH SHLF CHRG        |
| 1.008-049.0 | ISCRUB 20 DLX 114AH SHLF CHRGR PD DRVR  | 1.008-137.0 | ISCRUB 20 DLX ORB CM 114AH AGM OBC       |
| 1.008-059.0 | ISCRUB 20 DLX 114 AH AGM OBC PAD DRVRC  | 1.008-138.0 | ISCRUB 20 DLX ORB 114AH AGM OBC          |
| 1.008-063.0 | ISCRUB 20 DLX 130AH SHLF CHRGR PLY BR   | 1.008-139.0 | ISCRUB 20 DLX ORB CM 114AH AGM SHLF CHRG |
| 1.008-064.0 | ISCRUB 20 DLX 114AH AGM SHLF CHRGR BR   | 1.008-140.0 | ISCRUB 20 DLX ORB 114AH AGM SHLF CHRG    |
| 1.008-065.0 | ISCRUB 20 DLX 114 AH AGM OBC POLY BRUSH | 1.006-192.0 | ISCRUB 20 DLX LITHIUM                    |
| 1.008-066.0 | ISCRUB 20 DLX OBC PACKAGING ONLY        | 1.006-721.0 | ISCRUB 20 DLX OBC PD DRVER               |
| 1.008-071.0 | ISCRUB 22SP 130AH SHLF CHRGR            |             |  |
| 1.008-072.0 | ISCRUB 22SP 114AH AGM SHLF CHRGR        |             |  |
| 1.008-073.0 | ISCRUB 22SP 114AH AGM OBC               |             |  |

From Serial Number (Ref No. 1\*) \* See Serial Number page or call manufacturer.

## Table of contents

---

IScrub 20-22 ALL MODELS GROUPS - Aurora (0.175-302.0)	3
1 BUMPER	5
2 BUMPER - DELUXE & CYLINDRICAL	7
3 CONSOLE	9
4 CONTROL PANEL 1	11
5 PCB, RELAY OMRON II (8.634-725.0)	13
5 CONTROL PANEL 2	14
6 CONTROL PANEL Lithium 1	16
7 CONTROL PANEL Lithium 2	19
8 LABELS - DISK	21
9 LABELS - ORBITAL	23
10 LABELS - DELUXE & CYLINDRICAL	25
11 LABELS - LITHIUM	27
12 DRIVE LOWER	29
1 Traction motor C2 (8.641-117.0)	32
13 SLEW/STEERING	34
14 DRIVE MOUNTING	36
15 FRAME & REAR WHEELS	38
16 PEDAL PLATFORM	40
17 PEDAL PLATFORM MOUNTING	42
18 RECOVERY TANK	44
19 SCRUB BRUSH/PAD DRIVER	46
20 SCRUB BRUSH DECK - DISK	48
21 SCRUB BRUSH DECK MOUNTING - DISK	51
22 SCRUB DECK LIFT	53
23 SCRUB DECK - CYLINDRICAL	55
26 Motor with plug (4.035-378.0)	57
24 SCRUB DECK DRIVE ASSEMBLY - CYLINDRICAL	59
25 SCRUB DECK LINKAGE - CYLINDRICAL	61
26 SCRUB DECK MOUNTING - CYLINDRICAL	63
27 SCRUB BRUSH DECK - ORBITAL	65
28 SCRUB BRUSH DECK MOUNTING - ORBITAL	68
29 SQUEEGEE - DISK	70
30 SQUEEGEE - CYLINDRICAL	73
22 Suction bar pre-assembled curved (4.035-310.0)	75
31 SQUEEGEE LINKAGE - CYLINDRICAL	77

## Table of contents

---

32 STEERING	79
33 VACUUM	81
34 MAIN HARNESS ATTACHMENT HARDWARE	83
35 SOLUTION TANK	85
36 SOLUTION TANK - DELUXE	87
37 SOLUTION TANK - DELUXE, CHEM	89
38 SOLUTION SYSTEM CHEM - DISK	91
39 SOLUTION SYSTEM CHEM - CYLINDRICAL	93
40 ONBOARD CHARGER - DISK	95
41 ONBOARD CHARGER - DELUXE & CYLINDRICAL	97
42 BATTERY LITHIUM	99
43 GRP, BATTERY ASM, CS20 (8.632-796.0)	101
44 GRP, BATTERY AGM ASM, CS20 (8.632-864.0)	103
45 GRP, BATTERY CABLE INTL	105
50 SERIAL NUMBERS	106

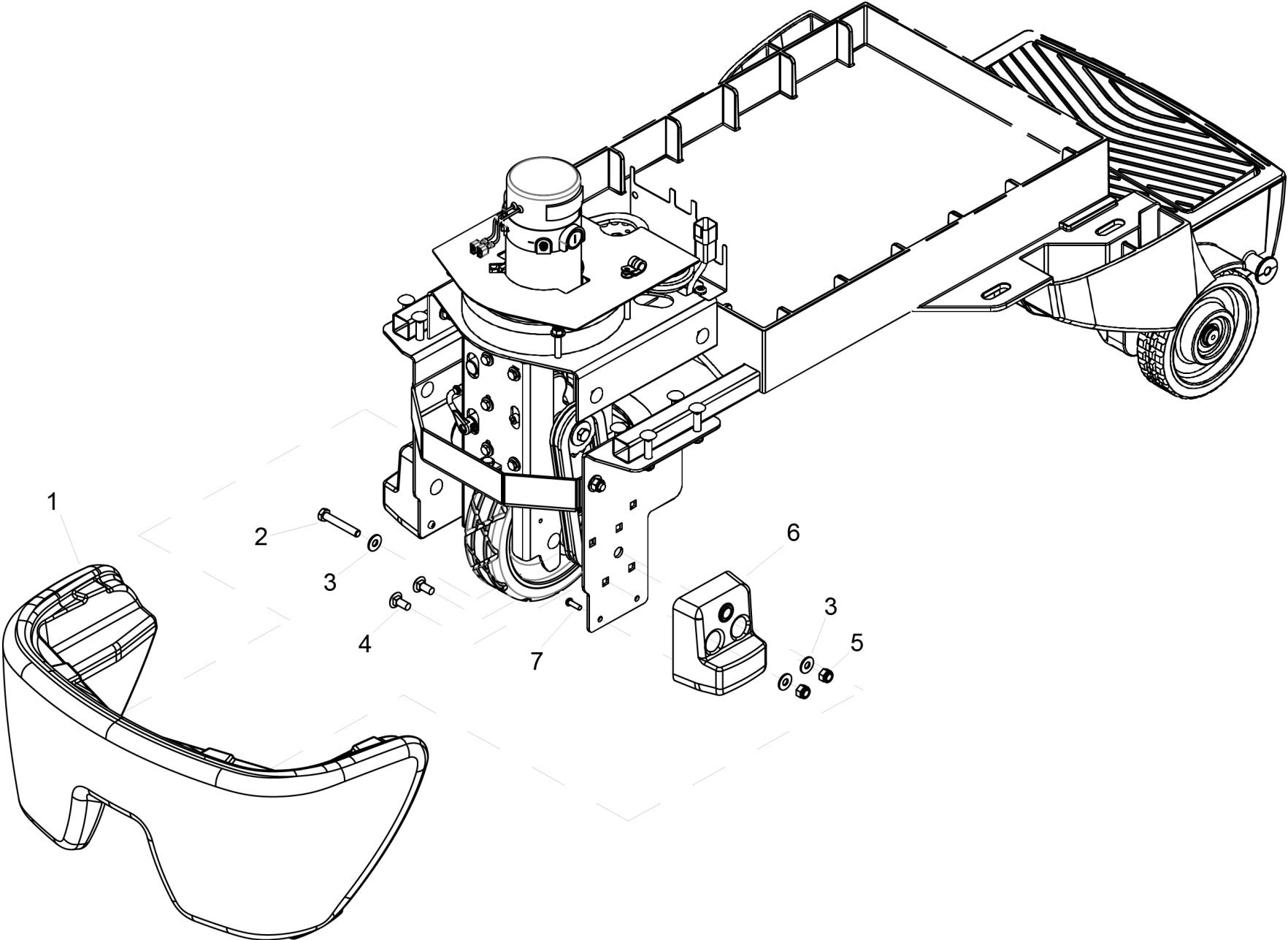
IScrub 20-22 ALL MODELS GROUPS - Aurora (0.175-302.0)

POS	Article no.	Description	Quantity	Unit	Remark
1		BUMPER	1	PC	
2		BUMPER - DELUXE & CYLINDRICAL	1	PC	
3		CONSOLE	1	PC	
4		CONTROL PANEL 1	1	PC	
5		CONTROL PANEL 2	1	PC	
6		CONTROL PANEL LITHIUM 1	1	PC	
7		CONTROL PANEL LITHIUM 2	1	PC	
8		LABELS - DISK	1	PC	
9		LABELS - ORBITAL	1	PC	
10		LABELS - DELUXE & CYLINDRICAL	1	PC	
11		LABELS - LITHIUM	1	PC	
12		DRIVE LOWER	1	PC	
13		SLEW/STEERING	1	PC	
14		DRIVE MOUNTING	1	PC	
15		FRAME & REAR WHEELS	1	PC	
16		PEDAL PLATFORM	1	PC	
17		PEDAL PLATFORM MOUNTING	1	PC	
18		RECOVERY TANK	1	PC	
19		SCRUB BRUSH/PAD DRIVER	1	PC	
20		SCRUB BRUSH DECK - DISK	1	PC	
21		SCRUB BRUSH DECK MOUNTING - DISK	1	PC	
22		SCRUB DECK LIFT	1	PC	
23		SCRUB DECK - CYLINDRICAL	1	PC	
24		SCRUB DECK DRIVE ASSEMBLY - CYLINDRICAL	1	PC	
25		SCRUB DECK LINKAGE - CYLINDRICAL	1	PC	
26		SCRUB DECK MOUNTING - CYLINDRICAL	1	PC	
27		SCRUB BRUSH DECK - ORBITAL	1	PC	
28		SCRUB BRUSH DECK MOUNTING - ORBITAL	1	PC	
29		SQUEEGEE - DISK	1	PC	
30		SQUEEGEE - CYLINDRICAL	1	PC	
31		SQUEEGEE LINKAGE - CYLINDRICAL	1	PC	
32		STEERING	1	PC	

IScrub 20-22 ALL MODELS GROUPS - Aurora (0.175-302.0)

POS	Article no.	Description	Quantity	Unit	Remark
33		VACUUM	1	PC	
34		MAIN HARNESS ATTACHMENT HARDWARE	1	PC	
35		SOLUTION TANK	1	PC	
36		SOLUTION TANK - DELUXE	1	PC	
37		SOLUTION TANK - DELUXE, CHEM	1	PC	
38		SOLUTION SYSTEM CHEM - DISK	1	PC	
39		SOLUTION SYSTEM CHEM - CYLINDRICAL	1	PC	
40		ONBOARD CHARGER - DISK	1	PC	
41		ONBOARD CHARGER - DELUXE & CYLINDRICAL	1	PC	
42		BATTERY LITHIUM	1	PC	
43	8.632-796.0	GRP, BATTERY ASM, CS20	1	PC	008, 009, 012, 013, 016, 063, 071, 122, 125, 127, 136
44	8.632-864.0	GRP, BATTERY AGM ASM, CS20	1	PC	010 011 014 015 049 059 064 065 072 073 126 128 129 137-140
45	8.633-406.0	GRP, BATTERY CABLE INTL	1	PC	FOR 1.006-721.0
46	8.641-488.0	CHRGR, 36V 21A SB50 ALG 62	1	PC	008, 012, 016, 063, 071, 122, 125, 127, 136,
47	8.633-475.0	CHRGR, 36V 21A SB50 ALG 42	1	PC	010, 014, 049, 064, 072, 123, 128, 139, 140
48	8.600-041.0	PAD DRIVER, 20" SD U19983	1	PC	008, 009, 010, 011, 016, 049, 059, 122, 123, 124
49	8.600-042.0	Brush	1	PC	012, 013, 014, 063, 064, 065, 125, 126
50		iScrub20 Serial Numbers	1	PC	

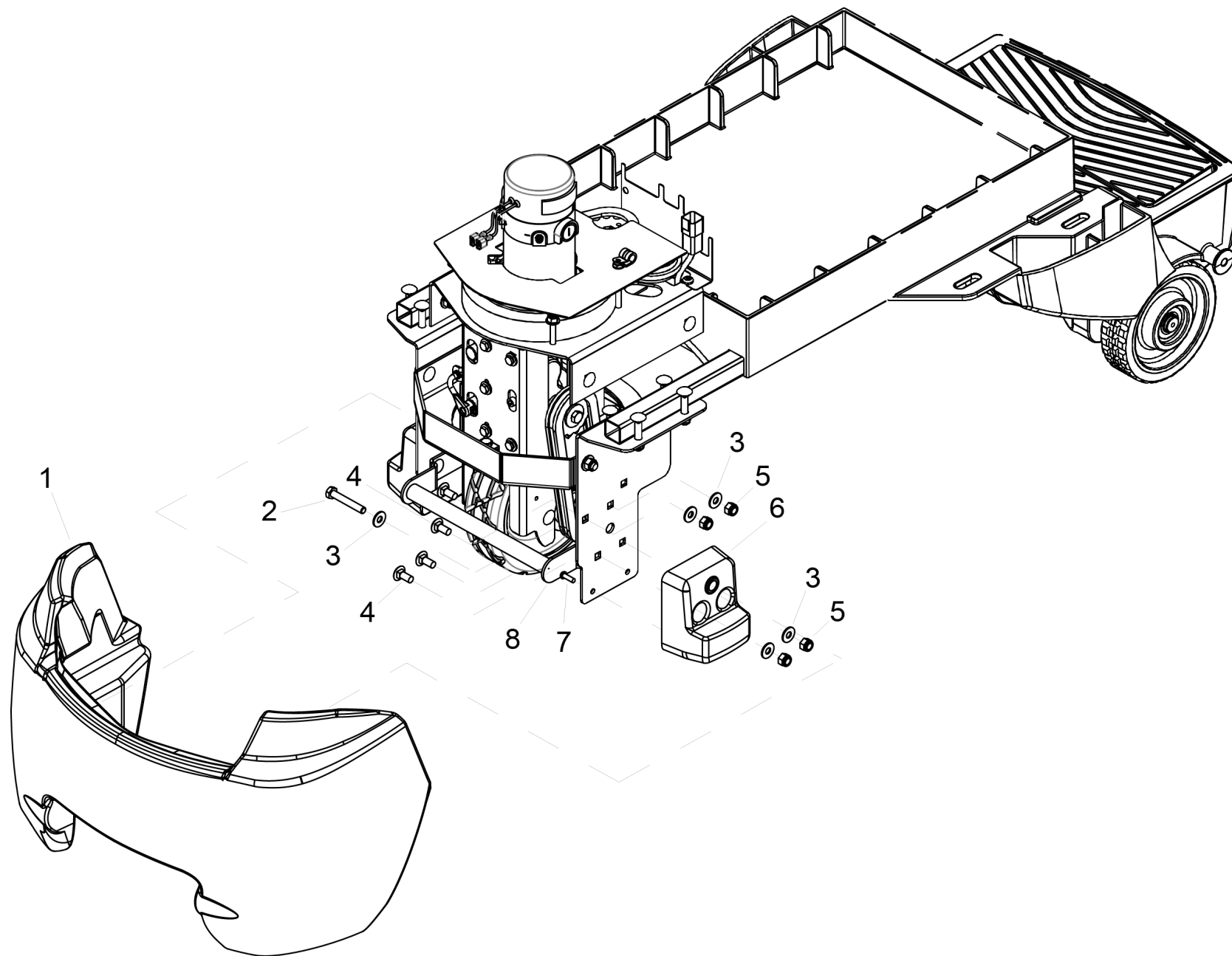
1 BUMPER



## 1 BUMPER

---

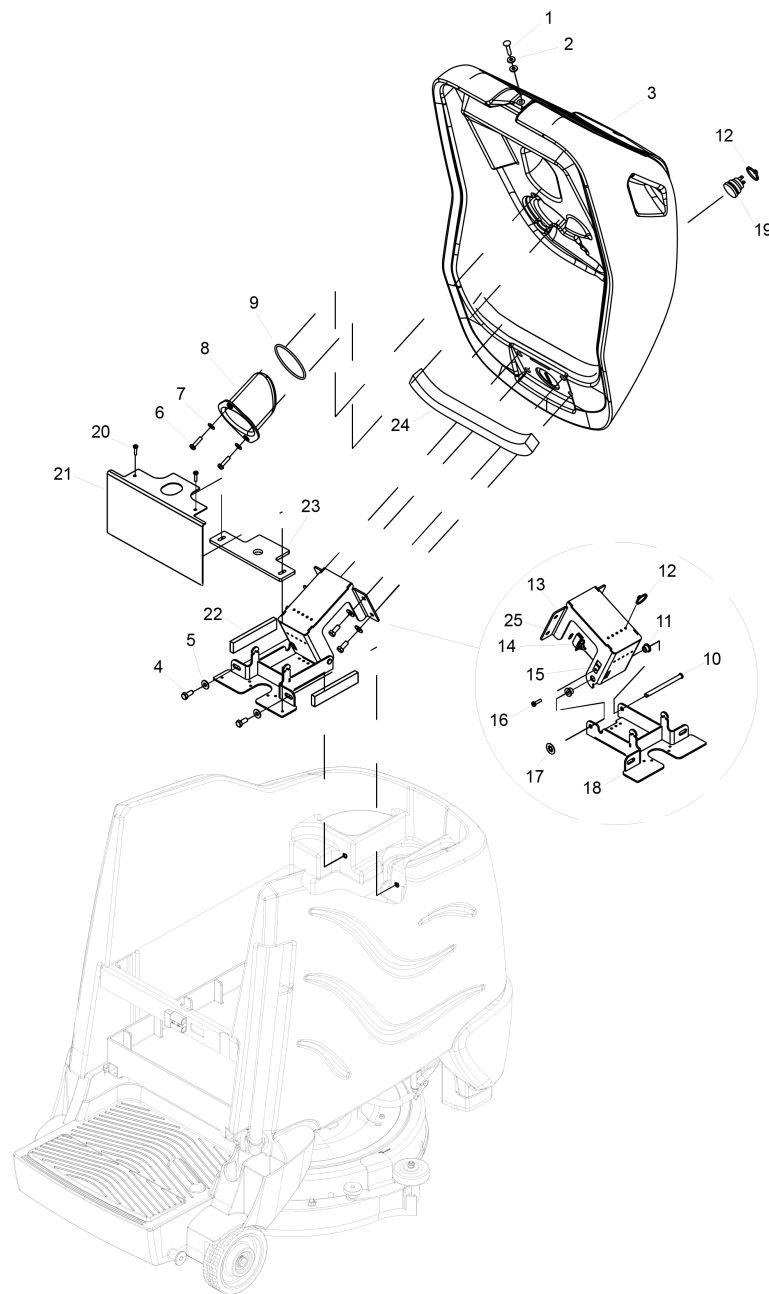
POS	Article no.	Description	Quantity	Unit
1	8.636-682.0	BUMPER, TRIM, BLACK	1	PC
2	8.627-698.0	SCREW, 5/16-18 X 2 HHCS SS	2	PC
3	8.601-067.0	WASHER, 5/16 FLT SS	6	PC
4	8.627-607.0	SCREW, 5/16-18 X .75 CARR SS	4	PC
5	8.627-083.0	NUT, 5/16-18 HEX NYLOCK SS	4	PC
6	8.632-395.0	PAD TIP	2	PC
7	7.303-104.0	Screw 5x16 -A2-70 (IN6RD)	4	PC



## 2 BUMPER - DELUXE & CYLINDRICAL

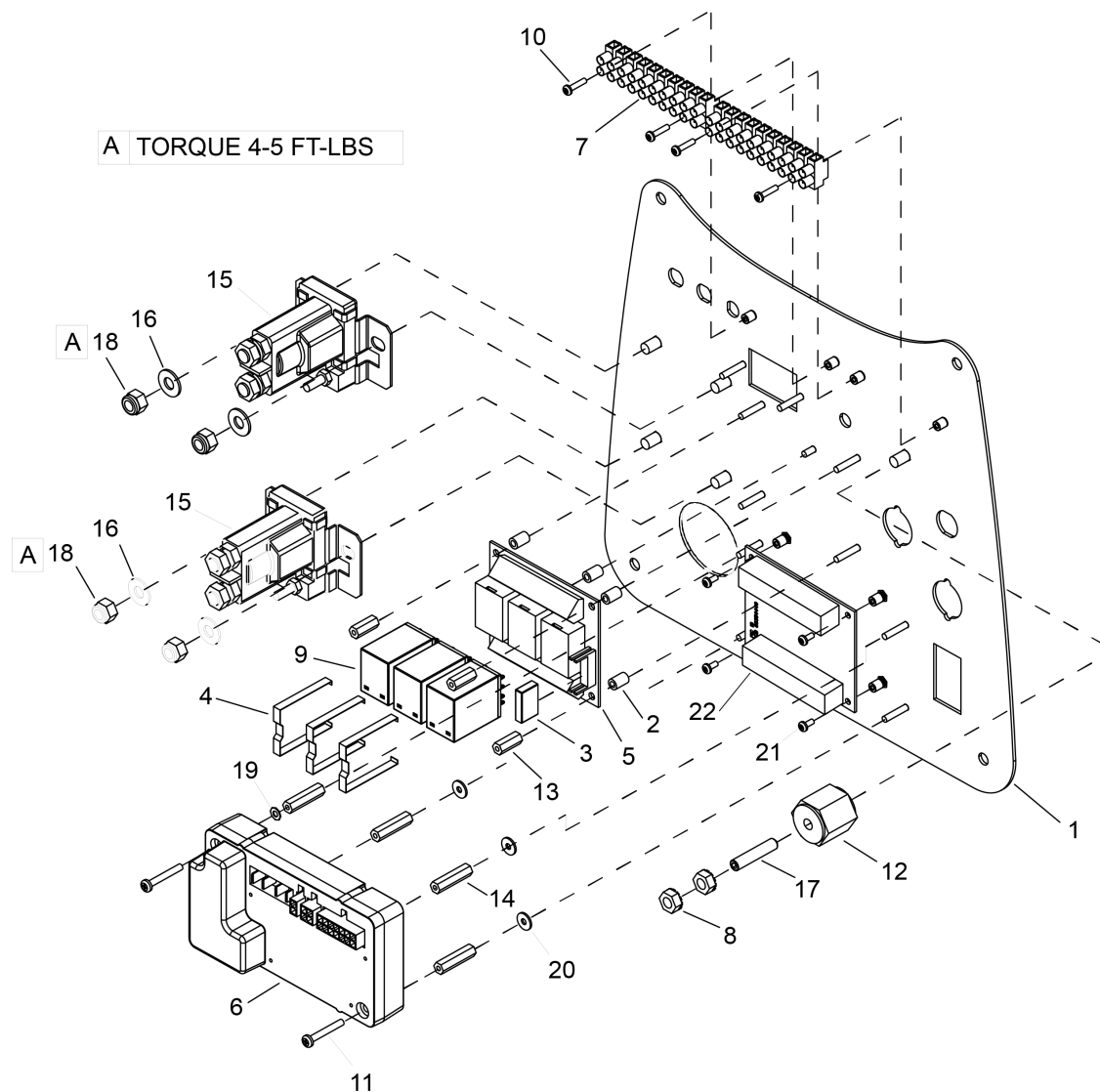
---

POS	Article no.	Description	Quantity	Unit
1	8.633-260.0	BUMPER, B40RS	1	PC
2	8.627-698.0	SCREW, 5/16-18 X 2 HHCS SS	2	PC
3	8.601-067.0	WASHER, 5/16 FLT SS	10	PC
4	8.627-607.0	SCREW, 5/16-18 X .75 CARR SS	8	PC
5	8.627-083.0	NUT, 5/16-18 HEX NYLOCK SS	8	PC
6	8.632-395.0	PAD TIP	2	PC
7	7.303-104.0	Screw 5x16 -A2-70 (IN6RD)	4	PC
8	8.633-391.0	Bracket complete	1	PC



## 3 CONSOLE

POS	Article no.	Description	Quantity	Unit	Remark
1	8.627-633.0	SCREW, 1/4-20 X 1.25 CARR	1	PC	
2	8.627-952.0	WASHER, 1/4 FLT STL BLK ZNPLT	2	PC	
3	8.633-258.0	CONSOLE, B40RS	1	PC	DELUXE & CYLINDRICAL
3	8.639-887.0	CONSOLE, CS20	1	PC	DISK
4	8.627-678.0	SCREW, 5/16-18 X .75 HHCS SS	6	PC	
5	8.601-067.0	WASHER, 5/16 FLT SS	6	PC	
6	8.600-653.0	SCREW, 1/4-20 X 1 PHPNHMS SS	2	PC	
7	8.601-063.0	WASHER, 1/4 SS	2	PC	
8	8.631-798.0	DOME	1	PC	
9	8.632-760.0	GASKET, DOME	1	PC	
10	8.632-634.0	PIN, CLEVIS 5/16 X 4 STL ZNPLT	1	PC	
11	8.622-899.0	BUSHING, .314 X .502 X .375 FLG BRZ	2	PC	
12	8.626-494.0	Cable tie 11.38" UL/CSA	6	PC	
13	8.632-632.0	Holder hinge above	1	PC	
14	8.632-768.0	SWITCH, INTERLOCK	1	PC	
15	8.627-086.0	NUT, 10-24 TYPEU BLK	1	PC	
16	8.627-711.0	SCREW, 10-24 X .75 PHPNHMS SS	1	PC	
17	8.632-886.0	NUT, 5/16 PUSH LK STL ZNPLT	1	PC	
18	8.632-633.0	Holder hinge bottom	1	PC	
19	8.623-972.0	HORN, 108DB MINATURE W/RING	1	PC	
20	8.600-680.0	SCREW, 10-32 X .5 PHPNHMF STL ZNPLT	2	PC	
21	8.633-239.0	Plate cover	1	PC	
22	8.633-277.0	GASKET, HINGE BRACKET	2	PC	
23	8.633-276.0	GASKET , STEERING SHAFT	1	PC	
24	8.630-262.0	Foamed material 1 X 1 X 20	1	PC	DELUXE ONLY
25	8.640-218.0	GASKET, .125 X .375 X .65	1	PC	



See Serial Number Page in Operators Manual

#### 4 CONTROL PANEL 1

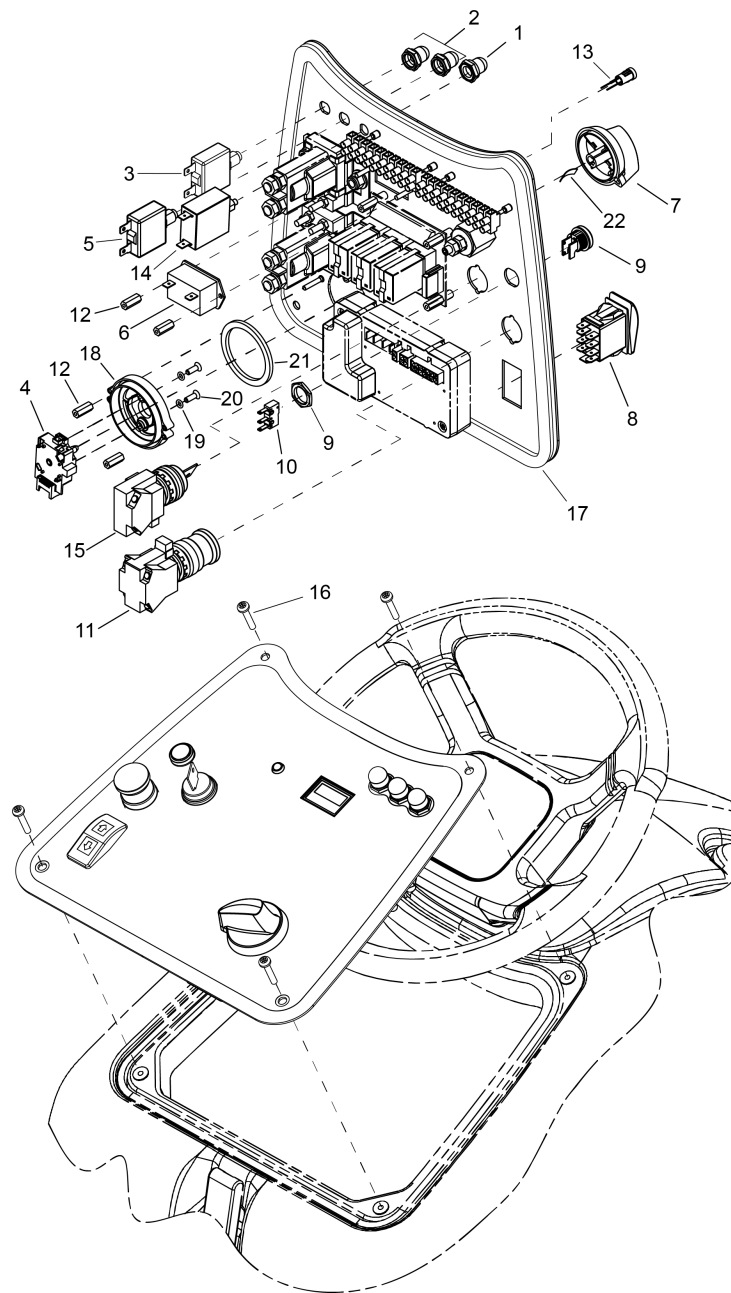
POS	Article no.	Description	Quantity	Unit	Remark
1	8.635-779.0	PANEL, CONTROL, CS20 RE	1	PC	
2	8.633-721.0	SPACER, .14ID X .28OD X .38, NYL	5	PC	
3	8.642-594.0	RELAY, SPST-NO, APAN3124	1	PC	TO REPLACE PANSONIC RELAY ONLY
4	8.633-610.0	Clip relay	3	PC	
5	8.634-725.0	PCB, RELAY OMRON II	1	PC	
6	8.636-219.0	Controller CS20 RE	1	PC	
6	8.638-769.0	Controller C25 ORB	1	PC	For Models: 1.006-182.0, 1.006-184.0
6	8.640-552.0	Controller C25	1	PC	
7	8.632-639.0	CONN, 8MM PITCH, 10 POS	2	PC	
8	8.600-571.0	NUT, 1/4-20 HEXSTRW LK STL ZNPLT	2	PC	
9	8.631-390.0	RELAY, 5A, 24V, 4PDT	3	PC	
10	8.627-526.0	SCREW, 4-40 X .5 PHPNHMS STL ZNPLT	4	PC	
11	8.627-555.0	SCREW, 6-32 X 1.25 PHPNHMS STL ZNPLT	2	PC	
12	8.625-591.0	STANDOFF, 1/4-20 X 1.0 HEX INS	1	PC	
13	8.625-590.0	Distance pin	2	PC	
14	8.635-486.0	Standoff	4	PC	
15	8.625-136.0	Relay 36VDC 100A	2	PC	
16	8.601-063.0	WASHER, 1/4 SS	4	PC	
17	8.600-685.0	SCREW, 1/4-20 X 1.25 SCHSET CP SS	1	PC	
18	8.627-187.0	NUT, 1/4-20 HEXTHIN NYLOCK SS	4	PC	
19	8.627-902.0	WASHER, 6 EXTLK SS	1	PC	
20	8.627-945.0	WASHER, 6 FLT STL ZNPLT	3	PC	
21	8.627-457.0	SCREW, 4-40 X .25 PHPNHMS STL ZNPLT	4	PC	
22	8.635-444.0	PCB, iSCRUB, PIC	1	PC	
22	8.639-096.0	PCB, PIC CS20 CM	1	PC	CHEMICAL METERING
22	8.642-348.0	PCB ASSEMBLY, CSXB20	1	PC	FOR MODELS: 1.006-184.0

5 PCB, RELAY OMRON II (8.634-725.0)

---

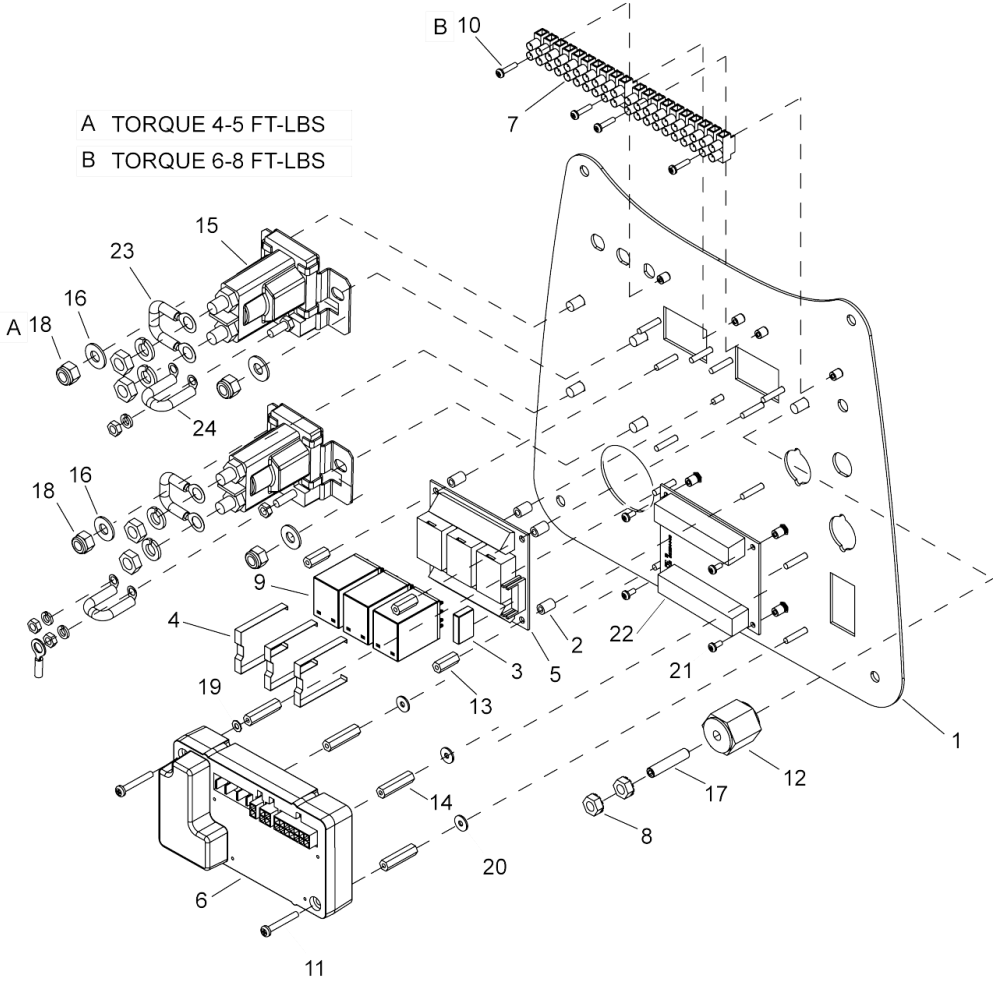
<b>POS</b>	<b>Article no.</b>	<b>Description</b>	<b>Quantity</b>	<b>Unit</b>
10	6.664-005.0	Diode	2	PC

---



## 5 CONTROL PANEL 2

POS	Article no.	Description	Quantity	Unit	Remark
1	8.600-126.0	BOOT, CB 3/8-32 UNS	1	PC	
2	8.633-251.0	BOOT, SEAL PUSH BUTTON 11MM	2	PC	
3	8.632-818.0	BREAKER, 12A, 250VAC, 32VDC	1	PC	DISK
3	8.634-929.0	BREAKER, 25A, 250VAC, 32VDC	1	PC	CYLINDRICAL
4	8.635-487.0	SWITCH, ROTARY	1	PC	
5	8.631-616.0	BREAKER, 18A, 250VAC, 32VDC	1	PC	
6	8.631-547.0	METER, HOUR ICD	1	PC	
7	5.321-738.0	Handhold operational concept	1	PC	
8	8.631-395.0	SWITCH, SPDT 3 POSN MOM, ARROW	1	PC	
9	8.629-520.0	ASM, BUTTON, BLACK, W/BEZEL	1	PC	
10	8.629-278.0	SWITCH, MICRO	1	PC	
11	8.629-259.0	SWITCH, E-STOP AKW CHARIOT	1	PC	
12	8.625-590.0	Distance pin	4	PC	
13	8.634-896.0	LED , BATTERY INDICATOR	1	PC	
14	8.635-368.0	BREAKER, 1.5A CARLING MAGNETIC	1	PC	
15	8.600-717.0	Switch KEY TWO POSITION	1	PC	
-	8.600-486.0	Key	1	PC	
16	8.637-141.0	SCREW, 10-32 X .75 TMS SS BLK	4	PC	
17	8.632-783.0	GASKET,.188X.31X41.0	1	PC	
18	8.635-456.0	BEZEL, ROTARY SWITCH	1	PC	
19	8.635-844.0	O-RING, 4MM ID, 1.5MM THK, BUNA-N	2	PC	
20	8.635-843.0	SCREW, M4 X 12 FLHMS SS ISO7046 NP	2	PC	
21	8.635-481.0	GASKET, ROTARY SWITCH	1	PC	
22	6.313-014.0	Spring element	1	PC	



See Serial Number Page in Operators Manual

## 6 CONTROL PANEL, LITHIUM 1

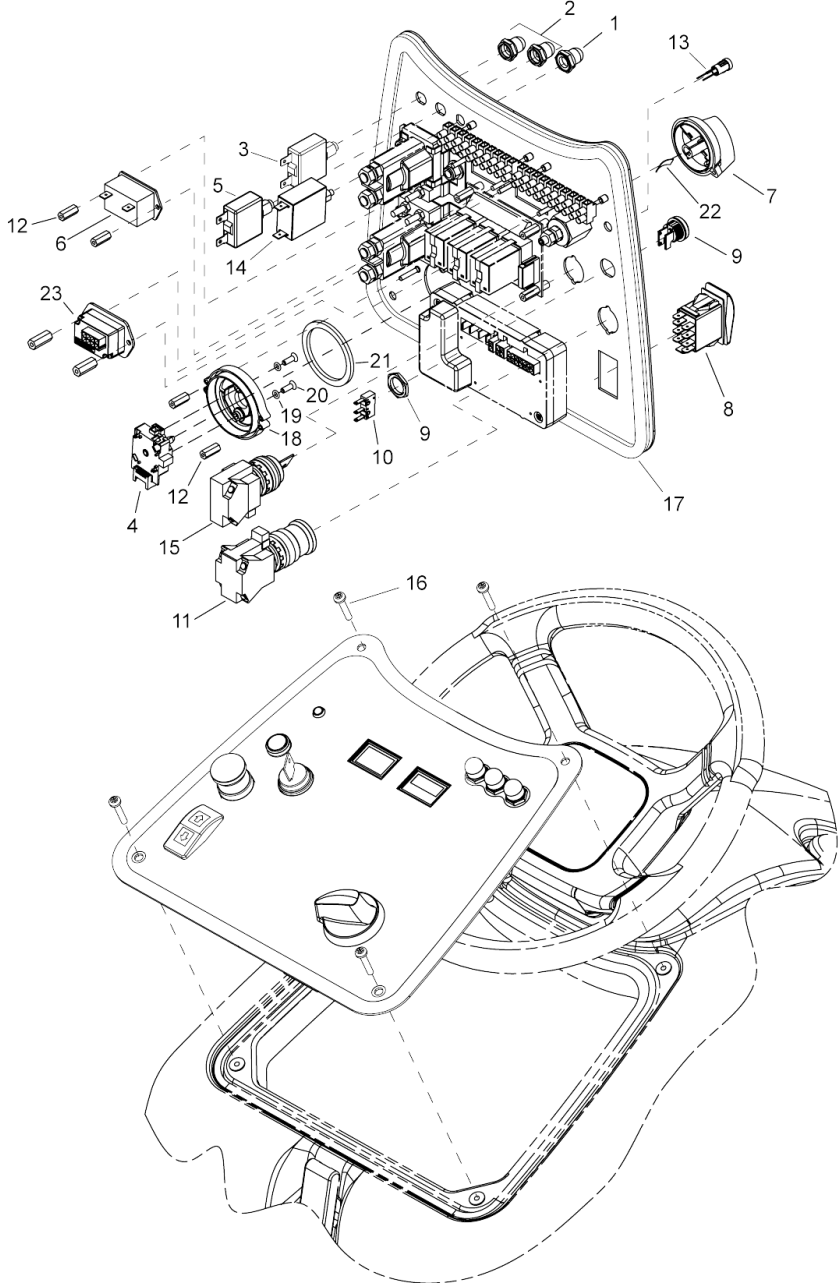
POS	Article no.	Description	Quantity	Unit
1	8.643-540.0	Control panel CS20Li	1	PC
2	8.633-721.0	SPACER, .14ID X .28OD X .38, NYL	5	PC
3	8.633-611.0	Relay two-pole	1	PC
4	8.633-610.0	Clip relay	3	PC
5	8.634-725.0	PCB, RELAY OMRON II	1	PC
6	8.643-602.0	Motor controller lithium CS20	1	PC
7	8.632-639.0	CONN, 8MM PITCH, 10 POS	2	PC
8	8.600-571.0	NUT, 1/4-20 HEXSTRW LK STL ZNPLT	2	PC
9	8.631-390.0	RELAY, 5A, 24V, 4PDT	3	PC
10	8.627-526.0	SCREW, 4-40 X .5 PHPNHMS STL ZNPLT	4	PC
11	8.627-555.0	SCREW, 6-32 X 1.25 PHPNHMS STL ZNPLT	2	PC
12	8.625-591.0	STANDOFF, 1/4-20 X 1.0 HEX INS	1	PC
13	8.625-590.0	Distance pin	10	PC
14	8.635-486.0	Standoff	4	PC
15	8.625-136.0	Relay 36VDC 100A	2	PC
16	8.601-063.0	WASHER, 1/4 SS	4	PC
17	8.600-685.0	SCREW, 1/4-20 X 1.25 SCHSET CP SS	1	PC
18	8.627-187.0	NUT, 1/4-20 HEXTHIN NYLOCK SS	4	PC
19	8.627-902.0	WASHER, 6 EXTLK SS	1	PC
20	8.627-945.0	WASHER, 6 FLT STL ZNPLT	3	PC
21	8.627-457.0	SCREW, 4-40 X .25 PHPNHMS STL ZNPLT	4	PC
22	8.635-444.0	PCB, iSCRUB, PIC	1	PC
23	8.600-341.0	Diode ASM, 76075 X 76075	2	PC
24	8.626-121.0	DIODE ASM, 76008 X 76008	2	PC

6 PCB, RELAY OMRON II (8.634-725.0)

---

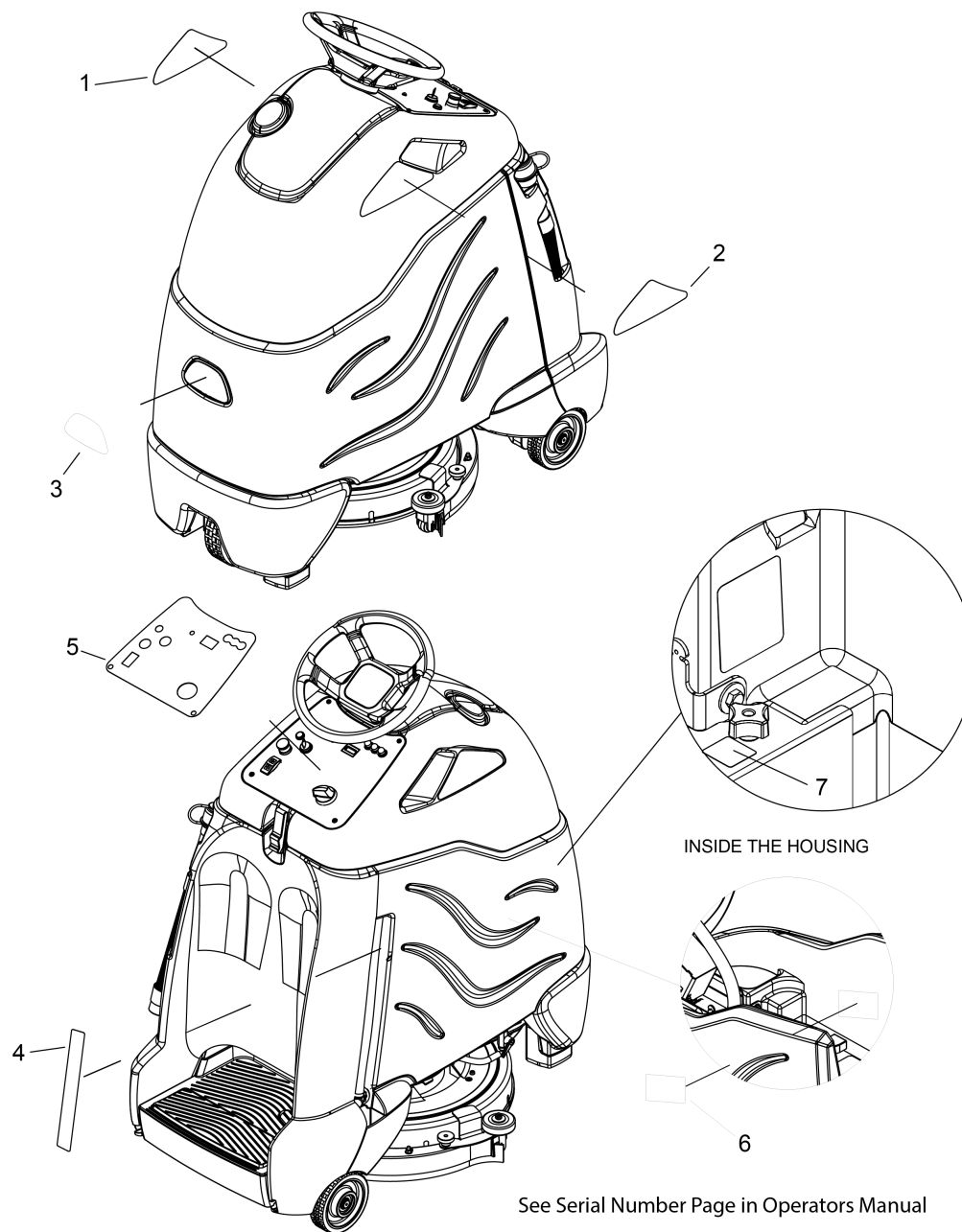
POS	Article no.	Description	Quantity	Unit
10	6.664-005.0	Diode	2	PC

---



## 7 CONTROL PANEL, LITHIUM 2

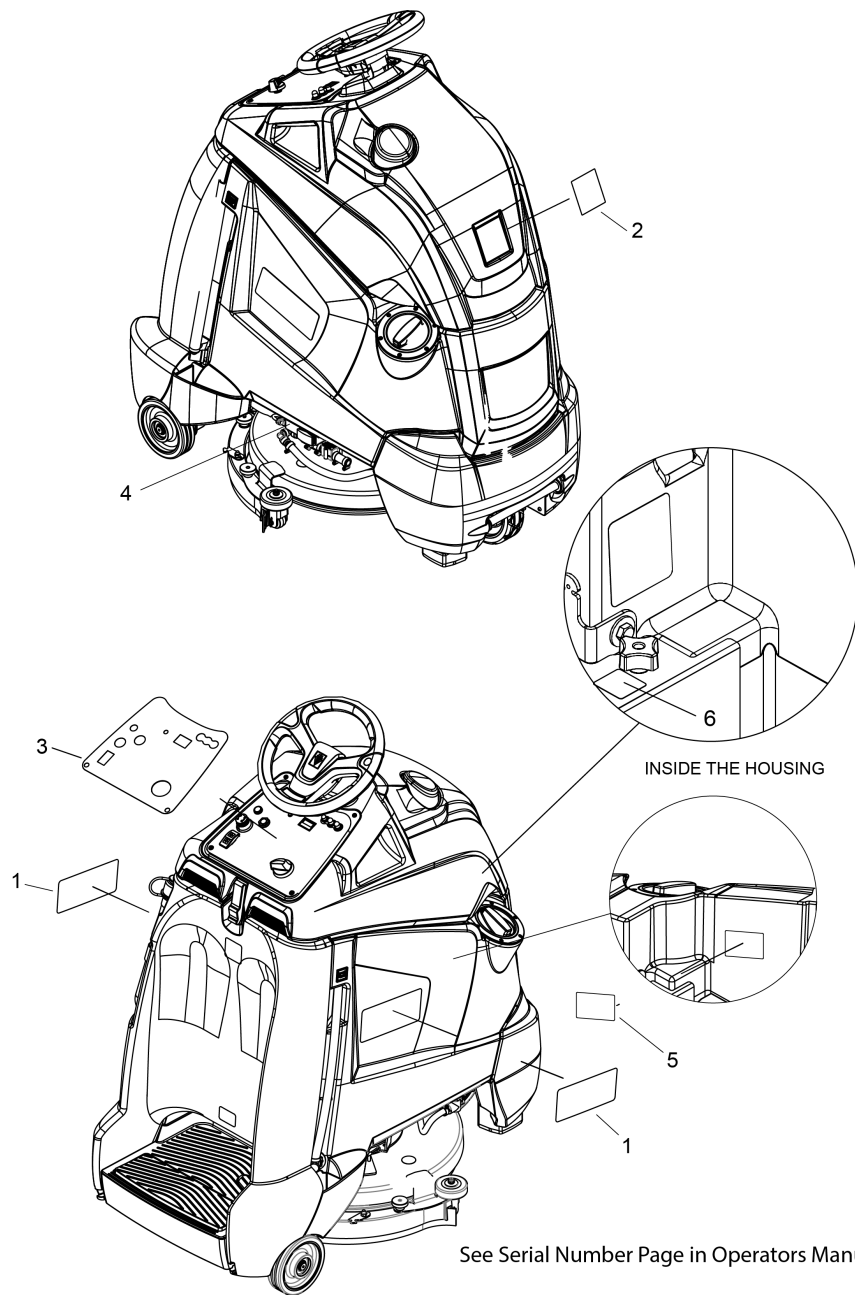
POS	Article no.	Description	Quantity	Unit
1	8.600-126.0	BOOT, CB 3/8-32 UNS	1	PC
2	8.633-251.0	BOOT, SEAL PUSH BUTTON 11MM	2	PC
3	8.632-818.0	BREAKER, 12A, 250VAC, 32VDC	1	PC
4	8.635-487.0	SWITCH, ROTARY	1	PC
5	8.631-616.0	BREAKER, 18A, 250VAC, 32VDC	1	PC
6	8.631-547.0	METER, HOUR ICD	1	PC
7	5.321-738.0	Handhold operational concept	1	PC
8	8.631-395.0	SWITCH, SPDT 3 POSN MOM, ARROW	1	PC
9	8.629-520.0	ASM, BUTTON, BLACK, W/BEZEL	1	PC
10	8.629-278.0	SWITCH, MICRO	1	PC
11	8.629-259.0	SWITCH, E-STOP AKW CHARIOT	1	PC
12	8.625-590.0	Distance pin	10	PC
13	8.634-896.0	LED , BATTERY INDICATOR	1	PC
14	8.635-368.0	BREAKER, 1.5A CARLING MAGNETIC	1	PC
15	8.600-717.0	Switch KEY TWO POSITION	1	PC
-	8.600-486.0	Key	1	PC
16	8.637-141.0	SCREW, 10-32 X .75 TMS SS BLK	4	PC
17	8.632-783.0	GASKET,.188X.31X41.0	1	PC
18	8.635-456.0	BEZEL, ROTARY SWITCH	1	PC
19	8.635-844.0	O-RING, 4MM ID, 1.5MM THK, BUNA-N	2	PC
20	8.635-843.0	SCREW, M4 X 12 FLHMS SS ISO7046 NP	2	PC
21	8.635-481.0	GASKET, ROTARY SWITCH	1	PC
22	6.313-014.0	Spring element	1	PC
23	8.642-852.0	METER, BATTERY, DISCOVER LITHIUM	1	PC



## 8 LABELS - DISK

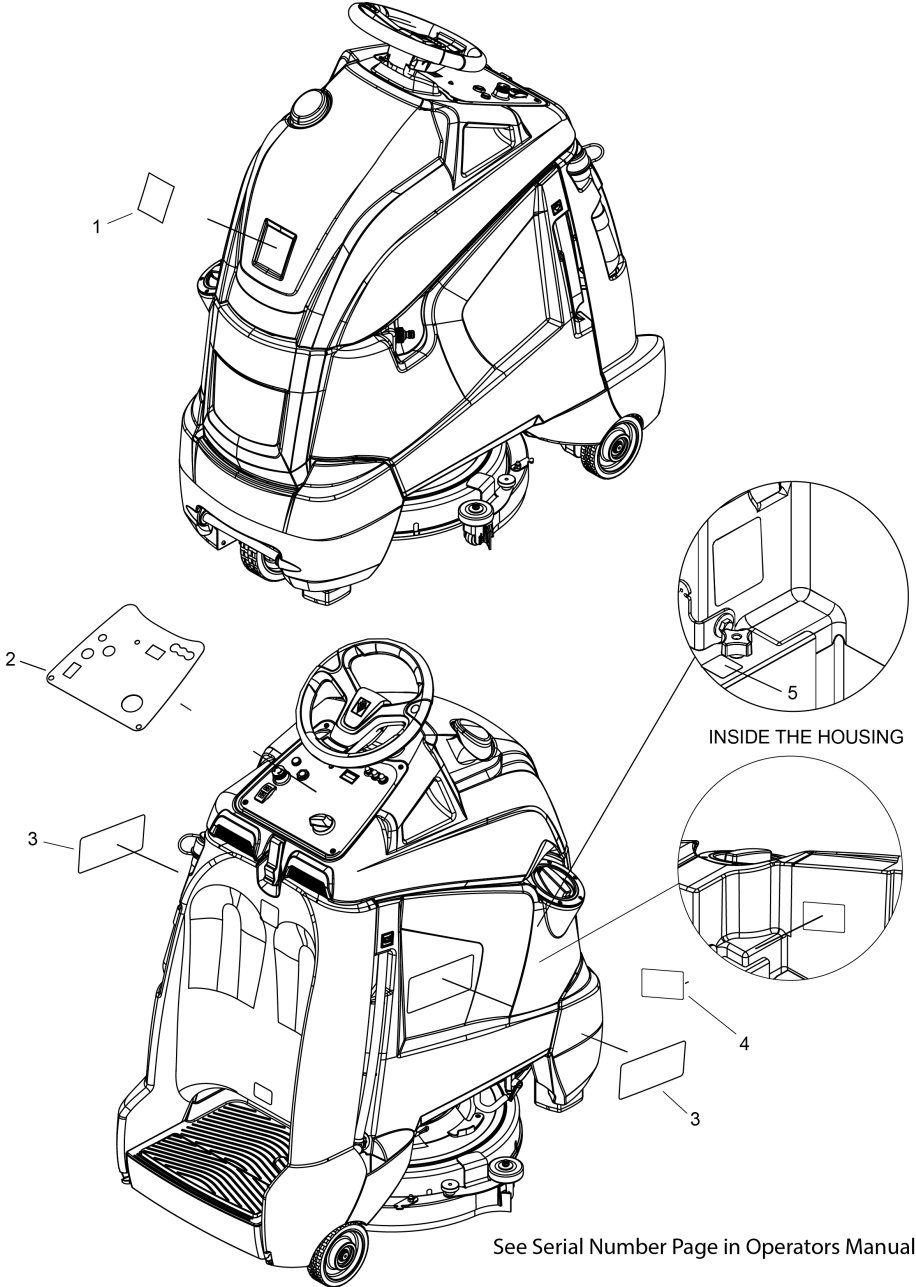
---

<b>POS</b>	<b>Article no.</b>	<b>Description</b>	<b>Quantity</b>	<b>Unit</b>
1	8.639-552.0	Label right iSCRUB 20	1	PC
2	8.639-553.0	Label left iSCRUB 20	1	PC
3	8.633-516.0	LABEL, KARCHER FRONT	1	PC
4	8.639-945.0	LABEL, SOLUTION LEVEL	1	PC
5	8.639-554.0	Label control panel CS20	1	PC
6	8.633-571.0	Label battery	1	PC
7	8.638-508.0	LABEL, MANUAL	1	PC



9 LABELS - ORBITAL

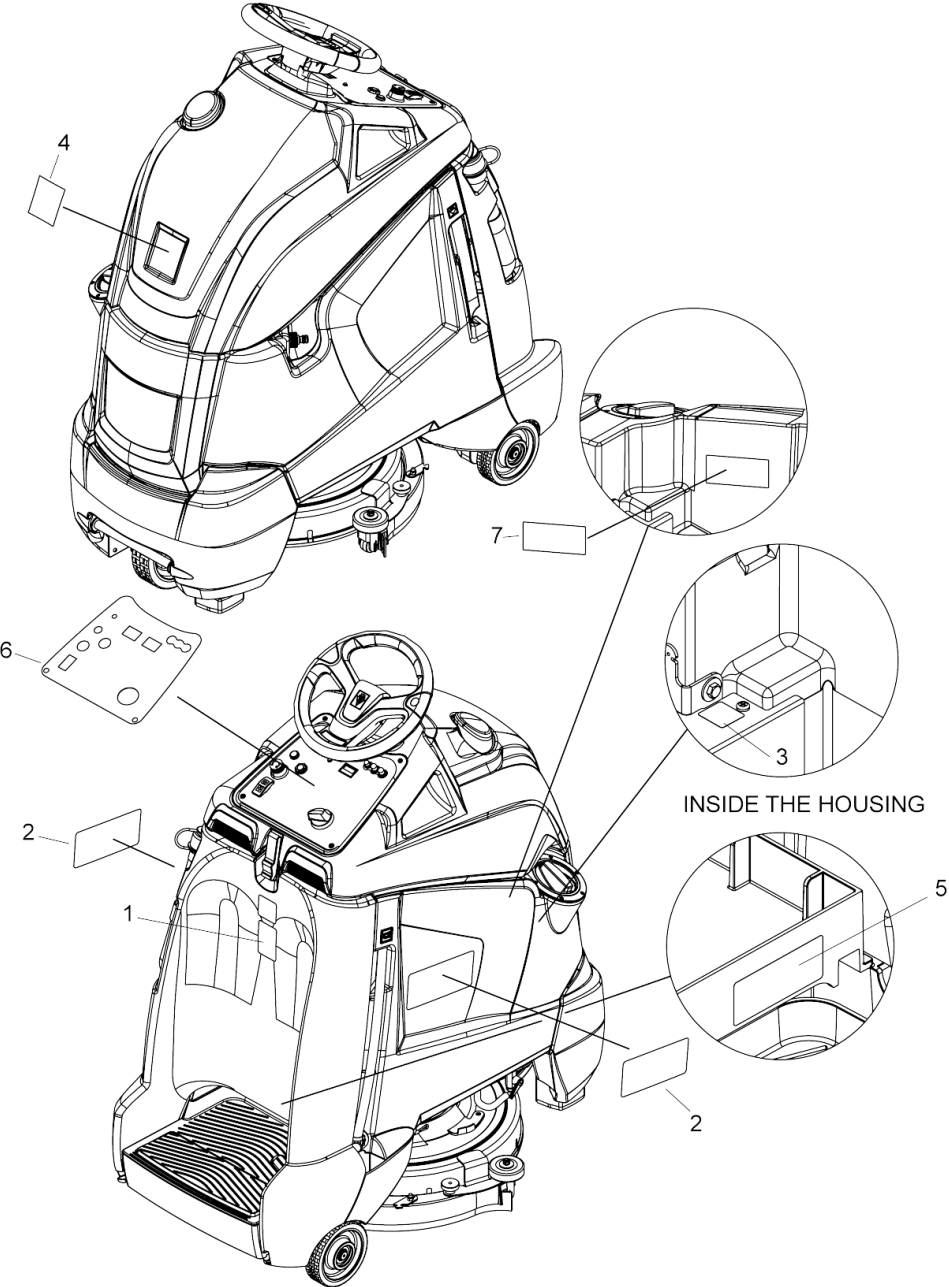
POS	Article no.	Description	Quantity	Unit	Remark
1	8.639-683.0	LABEL, SIDE ISCRUB 20 DLX ORB	2	PC	
2	8.633-500.0	Label AKW domed logo	1	PC	
3	8.635-805.0	X-REF TO 8.639-554.0 4/15	1	PC	
3	8.638-768.0	LABEL, CONTROL PANEL, CSXB20	1	PC	FOR MODELS:10061820, 10061840
3	8.639-097.0	X-REF TO 8.639-557.0 4/15	1	PC	
4	8.633-571.0	Label battery	1	PC	
5	8.638-508.0	LABEL, MANUAL	1	PC	



## 10 LABELS - DELUXE & CYLINDRICAL

---

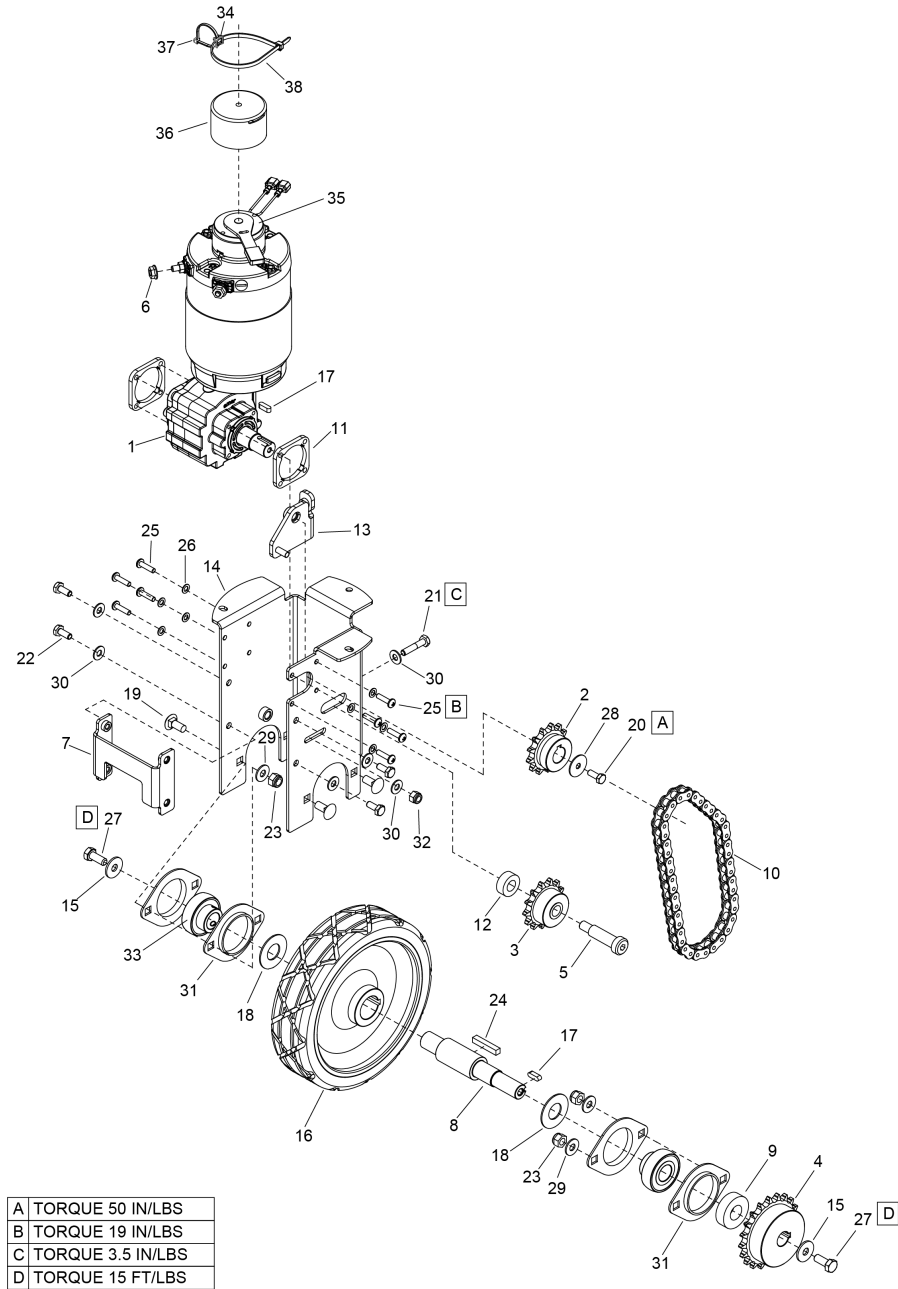
POS	Article no.	Description	Quantity	Unit	Remark
1	8.633-500.0	Label AKW domed logo	1	PC	
2	8.639-554.0	Label control panel CS20	1	PC	
2	8.639-557.0	LABEL, CONTROL PANEL, CS20 CM	1	PC	CHEMICAL METERING
3	8.639-555.0	LABEL, SIDE, iSCRUB DLX	2	PC	DISK
3	8.639-556.0	LABEL, iSCRUB 22X SP	2	PC	CYLINDRICAL
4	8.633-571.0	Label battery	1	PC	
5	8.638-508.0	LABEL, MANUAL	1	PC	



## 11 LABELS - LITHIUM

---

POS	Article no.	Description	Quantity	Unit
1	8.642-949.0	Label QR code iScrub 20 deluxe	1	PC
2	8.639-555.0	LABEL, SIDE, iSCRUB DLX	2	PC
3	8.638-508.0	LABEL, MANUAL	3	PC
4	8.633-500.0	Label AKW domed logo	1	PC
5	8.624-322.0	LABEL, DATA LAMINATE	1	PC
6	8.643-531.0	Control panel label CS20 lithium	6	PC
7	8.644-118.0	Label lithium warning Chariot 2	1	PC



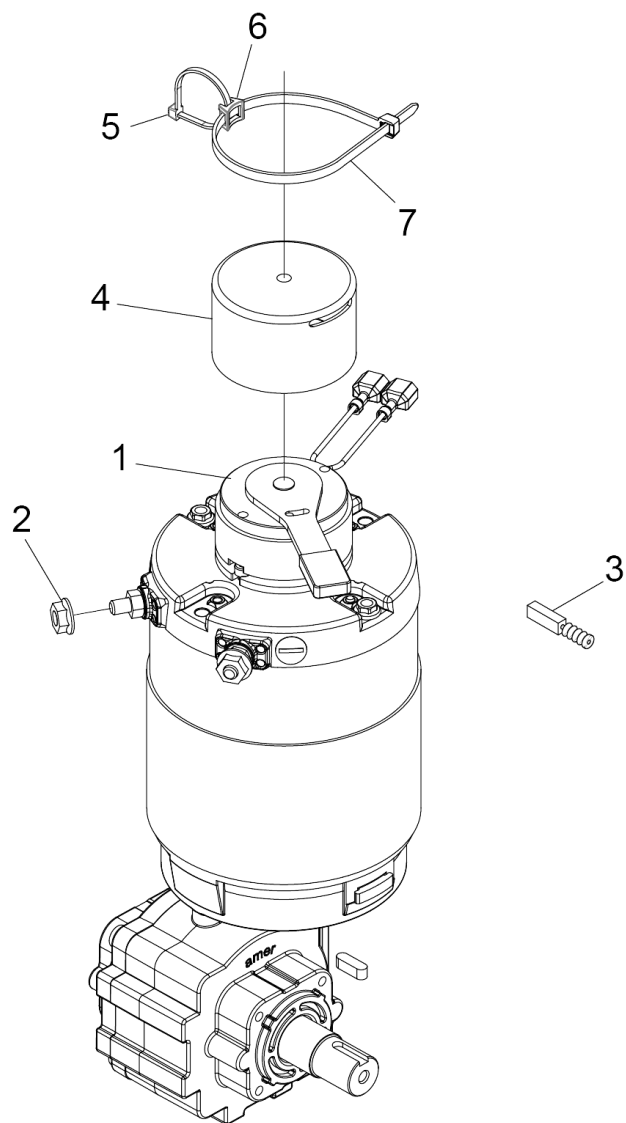
## 12 DRIVE LOWER

POS	Article no.	Description	Quantity	Unit
1	8.641-117.0	Traction motor C2	1	PC
2	8.640-996.0	Chain wheel transmission ANSI 40 13T	1	PC
3	8.640-995.0	Chain wheel transmission ANSI 40 13T IDLER	1	PC
4	8.640-994.0	Chain wheel transmission ANSI 40 20T	1	PC
5	8.640-591.0	Bolt 1/2 x 1.625	1	PC
6	8.638-411.0	Nut M6-1, HEX, SERFLG, DIN6923	2	PC
7	8.640-539.0	Retaining plate C2	1	PC
8	8.640-538.0	Axle drive wheel	1	PC
9	8.640-537.0	Distance holder C2	1	PC
10	8.640-536.0	Chain ANSI#40 X 21" W/MASTER	1	PC
11	8.640-535.0	Distance holder C2 MTR MNT HOUSING	2	PC
12	8.640-533.0	Distance holder C2	1	PC
13	8.640-532.0	Retaining plate C2	1	PC
14	8.640-531.0	Housing transmission C2	1	PC
15	7.312-289.0	Washer 8 -A2 ISO 7093-1	2	PC
16	8.636-917.0	Wheel 8.00 x 2.00, GRAY X-GRV	1	PC
17	8.632-671.0	KEY, 5 X 5 X 16MM CS GR1045	2	PC
18	8.632-167.0	WASHER, .748 SS	2	PC
19	8.627-607.0	SCREW, 5/16-18 X .75 CARR SS	4	PC
20	8.627-470.0	Screw M6x1,0x16	1	PC
21	8.627-462.0	SCREW, 1/4-20 X 1.25 HHMS STL GR5 ZNPLT	1	PC
22	8.627-375.0	SCREW, 1/4-20 X .625 HHCS SS NP	4	PC
23	8.627-083.0	NUT, 5/16-18 HEX NYLOCK SS	4	PC
24	8.621-964.0	KEY, 1/4 X 1/4 X 1.5 LCSTL GR1018	1	PC
25	8.638-412.0	Screw M5-0.8 X 16, TPNHMSSS	8	PC
26	8.613-733.0	WASHER, M5 SHPRF STL ZNPLT	8	PC
27	8.613-664.0	SCREW, M8-1.25 X 20 HHMS ZNPLT	2	PC
28	8.601-081.0	WASHER, 1/4 FNDR SS	1	PC
29	8.601-067.0	WASHER, 5/16 FLT SS	4	PC
30	8.601-063.0	WASHER, 1/4 SS	6	PC
31	8.600-861.0	Flanged bearing PRESS STEEL	4	PC
32	8.627-187.0	NUT, 1/4-20 HEXTHIN NYLOCK SS	1	PC
33	8.600-103.0	BEARING, 3/4 SPH BALL	2	PC

## 12 DRIVE LOWER

---

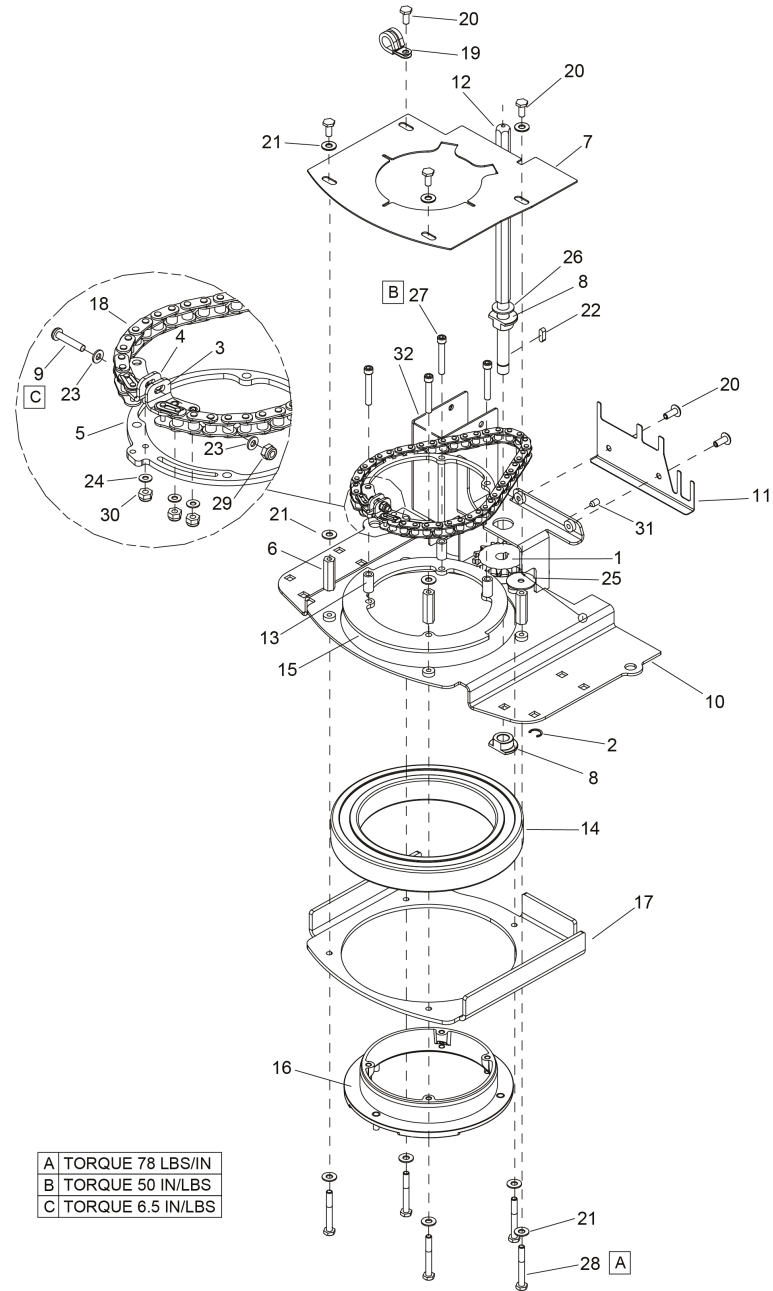
<b>POS</b>	<b>Article no.</b>	<b>Description</b>	<b>Quantity</b>	<b>Unit</b>
34	8.638-441.0	Cable spacer cross	1	PC
35	8.638-691.0	Brake traction motor C2	1	PC
36	8.642-686.0	Environmental brake cover	1	PC
37	8.626-493.0	CABLE TIE, 3.5" UL/CSA	1	PC
38	8.626-494.0	Cable tie 11.38" UL/CSA	1	PC



## 1 Traction motor C2 (8.641-117.0)

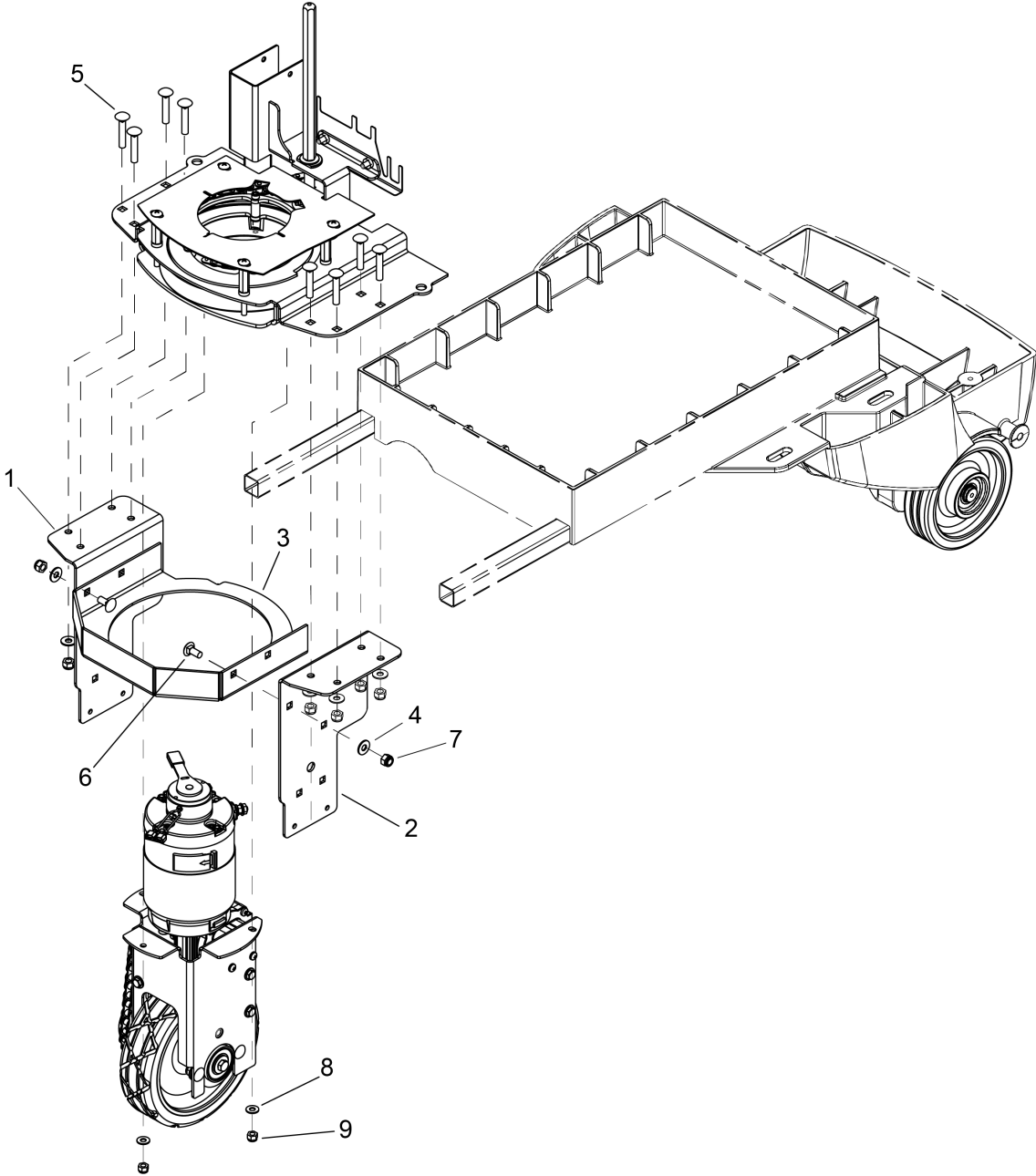
---

POS	Article no.	Description	Quantity	Unit
1	8.638-691.0	Brake traction motor C2	1	PC
2	8.638-411.0	Nut M6-1, HEX, SERFLG, DIN6923	2	PC
3	8.638-409.0	Carbon brush set AOMPI40	1	PC
4	8.642-686.0	Environmental brake cover	1	PC
5	8.626-493.0	CABLE TIE, 3.5" UL/CSA	1	PC
6	8.631-441.0	RELEASE BUTTON	1	PC
7	8.626-494.0	Cable tie 11.38" UL/CSA	1	PC



## 13 SLEW/STEERING

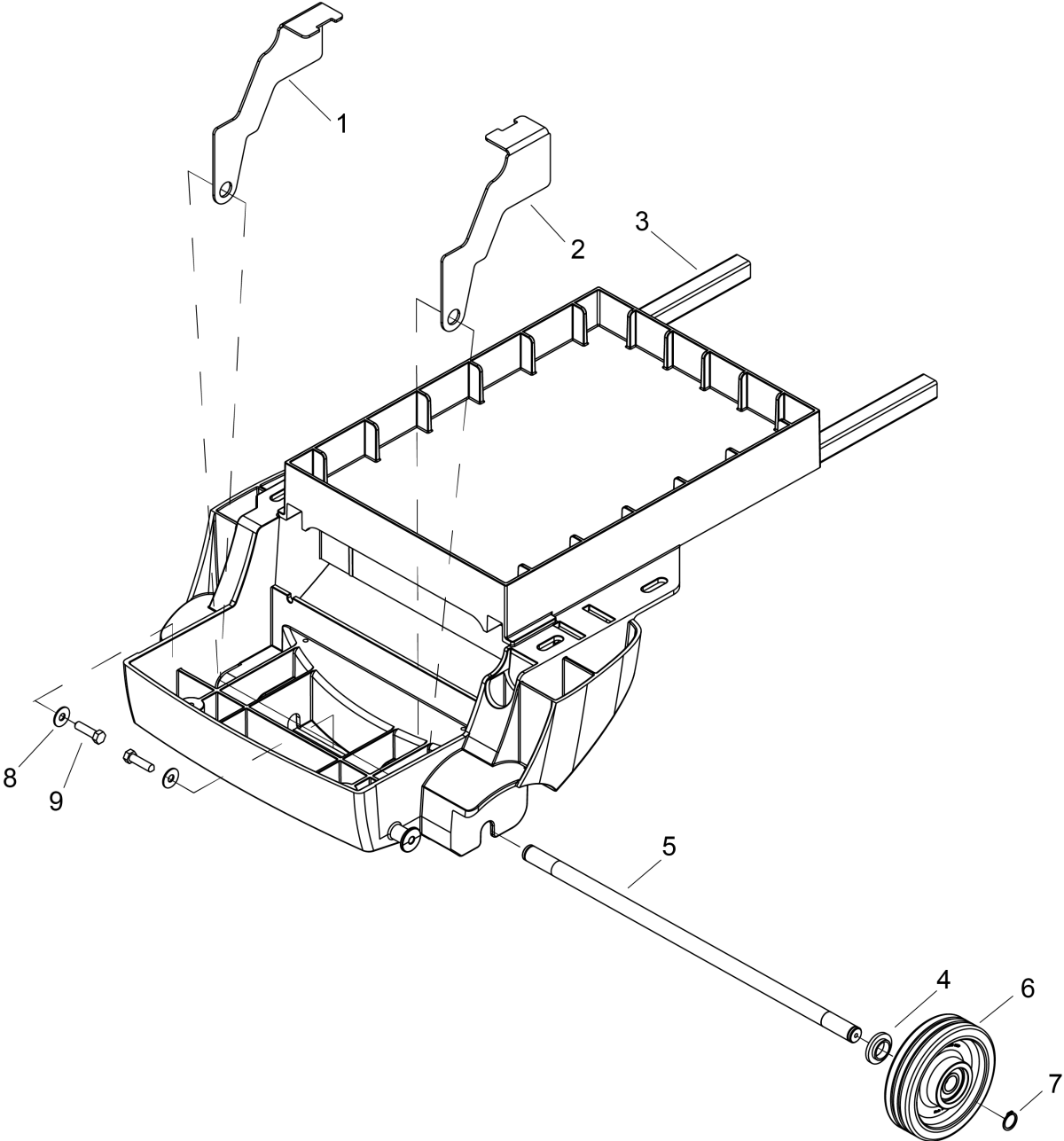
POS	Article no.	Description	Quantity	Unit
1	8.641-014.0	Gear wheel ANSI 40 14T	1	PC
2	8.640-964.0	Clip .50 SHAFT SIDE RETAIN	1	PC
3	8.640-957.0	Angle joint chain	1	PC
4	8.640-956.0	Angle joint chain	1	PC
5	8.640-955.0	Support plate chain	1	PC
6	8.640-952.0	Nut 1/4-20 X 1.5 CPL SS	4	PC
7	8.640-882.0	Plate chain guide C2	1	PC
8	8.640-864.0	Flanged bushing .503X1.25X.470 FLG 'D'	2	PC
9	8.640-858.0	Screw 10-32 X 1 TPNHMS SS BLK ZNPLT	1	PC
10	8.640-559.0	Support plate control system	1	PC
11	8.640-557.0	Bracket, Connectors	1	PC
12	8.640-556.0	SHAFT, STEERING SPROCKET	1	PC
13	8.640-551.0	Distance holder .25ID X .430OD X.83LG	4	PC
14	8.640-549.0	Bearing control system C2	1	PC
15	8.640-548.0	Plate C2	1	PC
16	8.640-547.0	Bearing screw connector bottom	1	PC
17	8.640-546.0	Plate c2	1	PC
18	8.640-534.0	Chain ANSI#40 X 21.5" W/2 MASTER	1	PC
19	8.636-387.0	CLAMP, 5/8" OD CUSHIONED	1	PC
20	8.600-703.0	SCREW, 1/4-20 X .625 PHTRHMS STL NP	2	PC
21	8.601-063.0	WASHER, 1/4 SS	13	PC
22	8.632-671.0	KEY, 5 X 5 X 16MM CS GR1045	1	PC
23	8.627-919.0	WASHER, 10 FLT STL ZNPLT	2	PC
24	8.627-899.0	WASHER, 8 FLT	3	PC
25	8.627-894.0	WASHER, 1/4 STL ZNPLT	2	PC
26	8.627-885.0	WASHER, .506 X .94 X .06 NYL	1	PC
27	8.627-539.0	Screw 1/4-20 X 1.625 SCHCS STL ZNPLT	4	PC
28	8.627-385.0	SCREW, 1/4-20 X 2 HHCS SS	5	PC
29	8.627-099.0	NUT, 10-32 HEX NYLOCK SS	1	PC
30	8.627-085.0	Lock nut	3	PC
31	8.600-661.0	SCREW, 1/4-20 X .25 SCHSET KCP BLKOX	1	PC
32	8.627-383.0	SCREW, 1/4-20 X .5 HHCS SS NP	4	PC



## 14 DRIVE MOUNTING

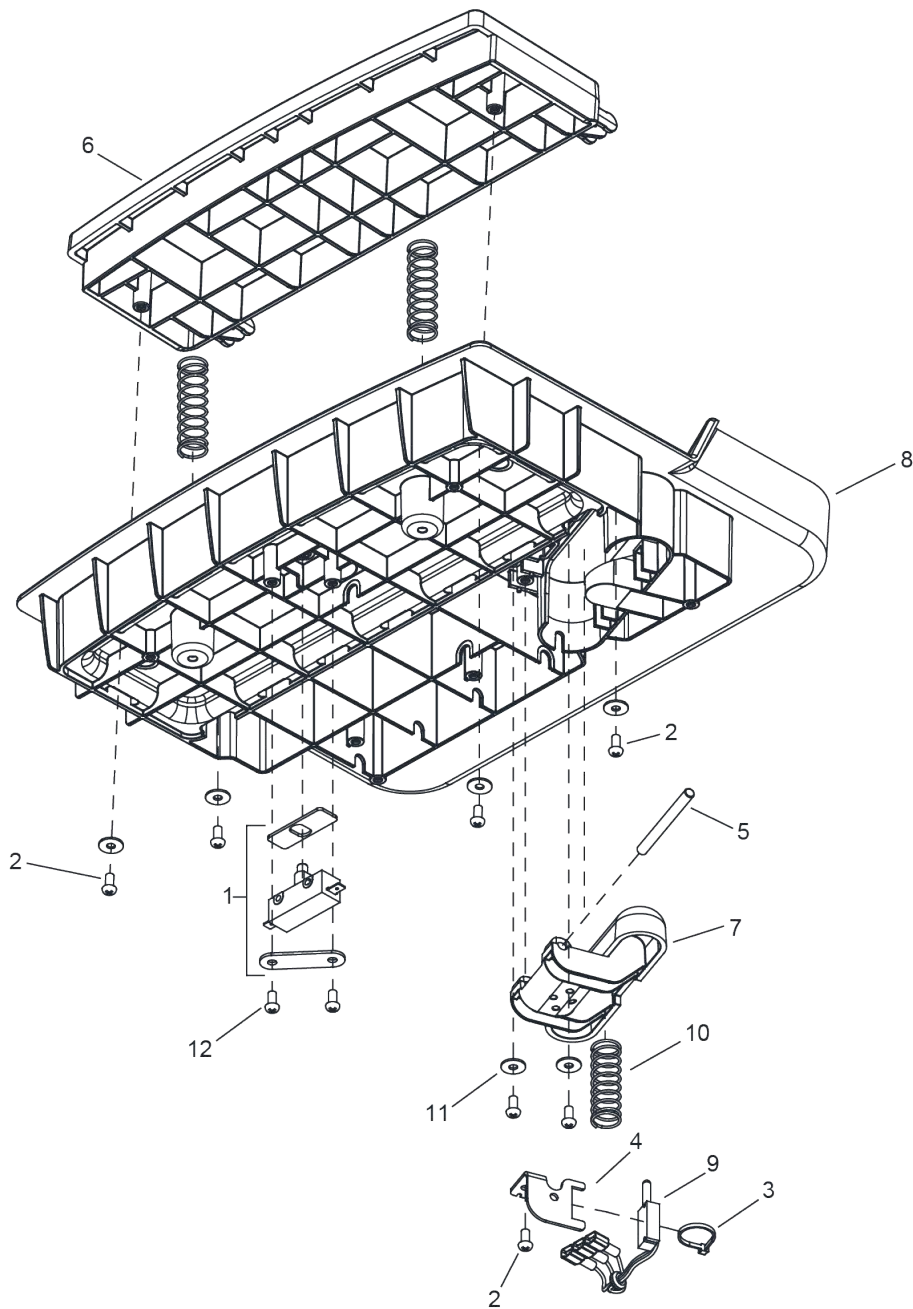
---

<b>POS</b>	<b>Article no.</b>	<b>Description</b>	<b>Quantity</b>	<b>Unit</b>
1	8.634-462.0	BRACKET, LINKAGE MOUNT	1	PC
2	8.631-973.0	Sheet metal component left	1	PC
3	8.640-541.0	BRACKET, C2 LOWER SUPPORT	1	PC
4	8.601-067.0	WASHER, 5/16 FLT SS	10	PC
5	8.627-669.0	SCREW, 5/16-18 X 1.75 CARR SS	8	PC
6	8.627-607.0	SCREW, 5/16-18 X .75 CARR SS	2	PC
7	8.627-083.0	NUT, 5/16-18 HEX NYLOCK SS	10	PC
8	8.601-063.0	WASHER, 1/4 SS	3	PC
9	8.627-187.0	NUT, 1/4-20 HEXTHIN NYLOCK SS	3	PC



## 15 FRAME & REAR WHEELS

POS	Article no.	Description	Quantity	Unit
1	8.632-626.0	Holder frame left	1	PC
2	8.632-625.0	Holder frame right	1	PC
3	8.639-958.0	Frame assembly black CS20	1	PC
3	8.639-959.0	Frame assembly black CSX20 CM	1	PC
3	8.644-938.0	Frame assembly scrubber lithium	1	PC
4	8.632-622.0	SPACER, FLG, .887ID X 1.055OD X .345LG	2	PC
5	8.631-803.0	AXLE, 20MM X 562MM	1	PC
6	8.636-916.0	WHEEL, 6.00X1.58, GRY W/BEARINGS	2	PC
7	8.622-347.0	RING, 20MM EXTERNAL SNAP	2	PC
8	8.627-891.0	WASHER, 3/8 SS	2	PC
9	8.634-095.0	SCREW, 3/8 X 1.5 HHLS STL ZNPLT	2	PC

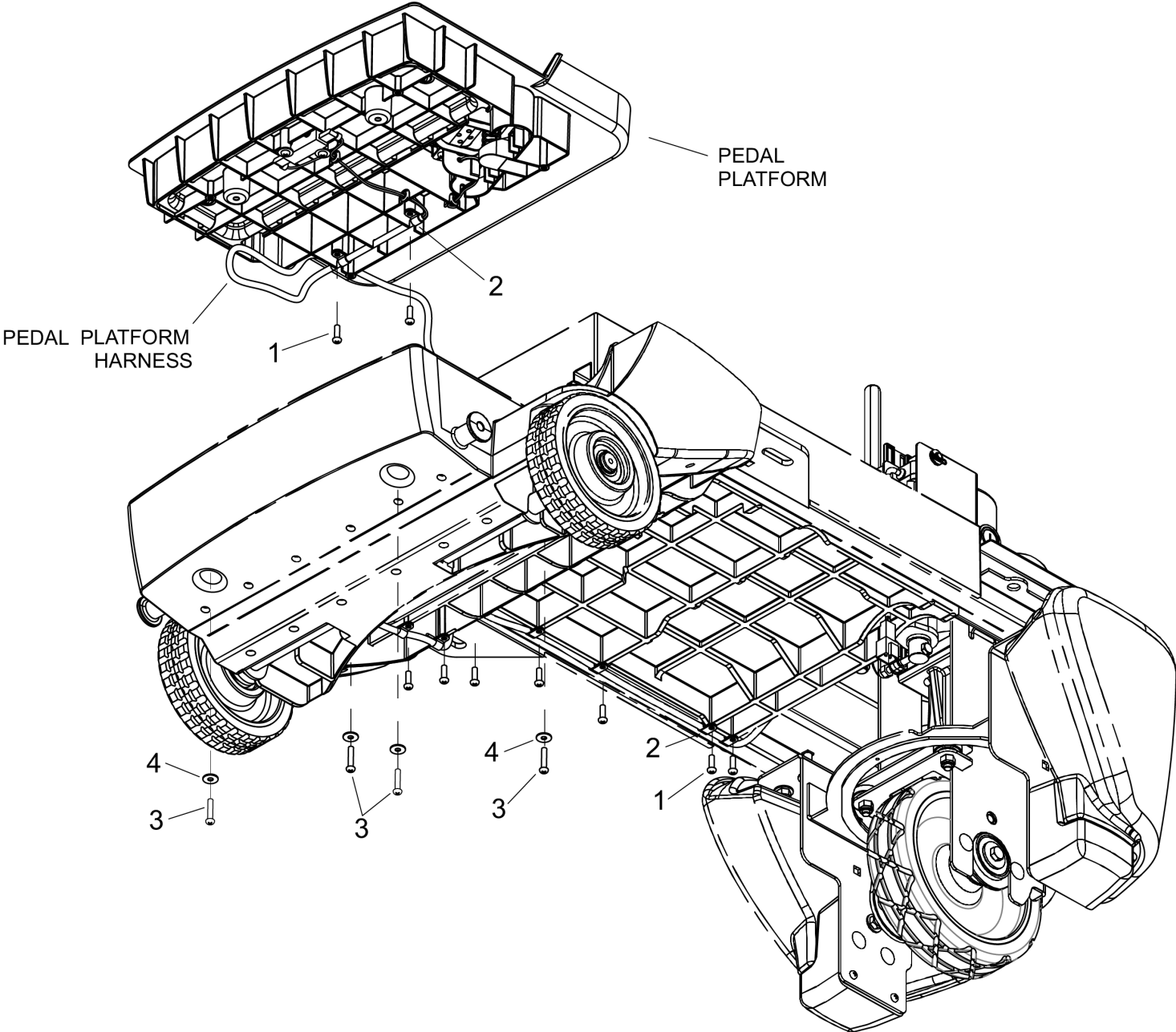


## 16 PEDAL PLATFORM

---

POS	Article no.	Description	Quantity	Unit
1	8.645-272.0	Switch replacement kit	1	PC
2	8.617-298.0	SCREW, KA50 X 10 OVHCS STL WN1412 ZNPLT	7	PC
3	8.626-493.0	CABLE TIE, 3.5" UL/CSA	1	PC
4	8.632-615.0	BRKT, LINEAR POT	1	PC
5	8.632-614.0	PIN, DOWEL 1/4 X 2.75 STL	1	PC
6	8.633-424.0	PEDAL, HEEL, BLK	1	PC
7	8.633-469.0	PEDAL, ACCELERATOR, YEL	1	PC
8	8.633-423.0	Moulded part black	1	PC
9	8.631-156.0	POTENTIOMETER ASM, LINEAR	1	PC
10	8.625-497.0	SPRING, COMP 18MMOD X 83 X 2	3	PC
11	8.617-333.0	WASHER, M5 SS ISO7093	6	PC
12	8.632-751.0	SCREW, KA50 X 16 SS WN1412	2	PC

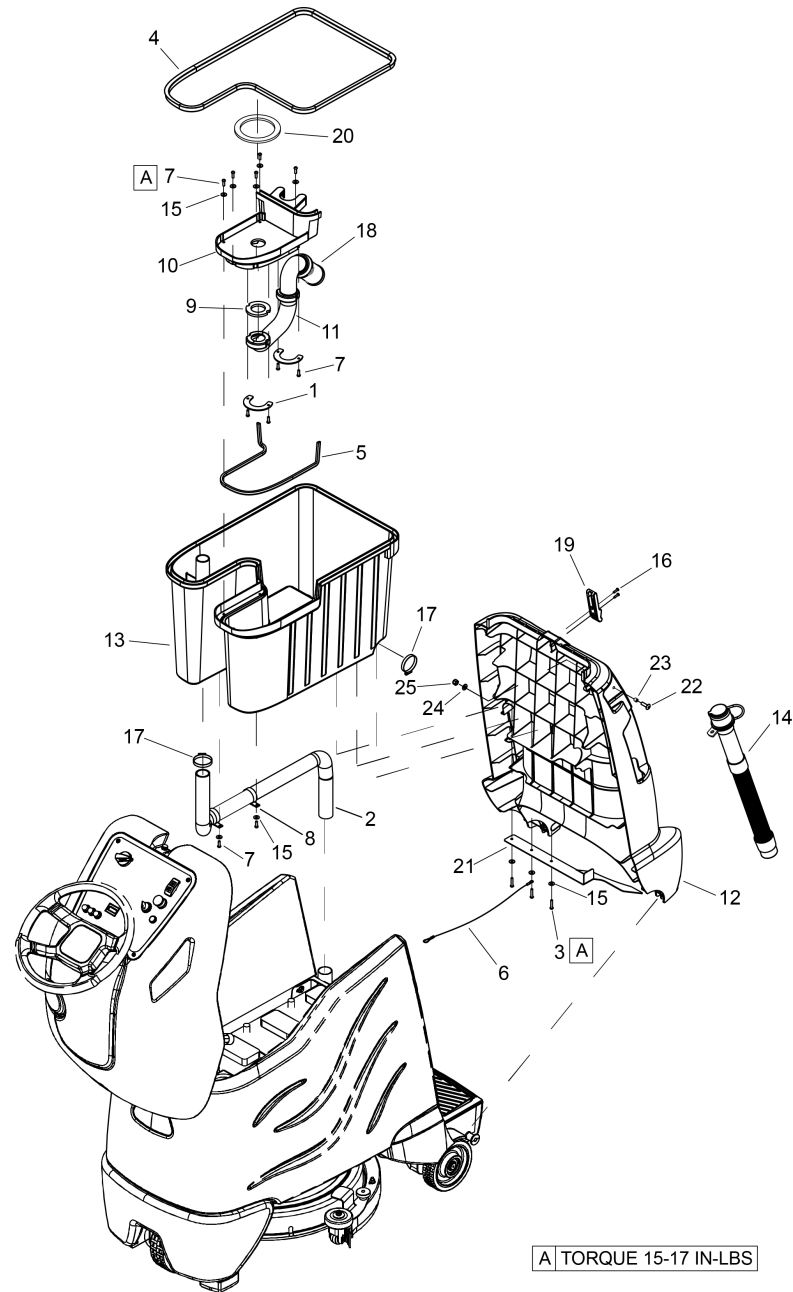
17 PEDAL PLATFORM MOUNTING



## 17 PEDAL PLATFORM MOUNTING

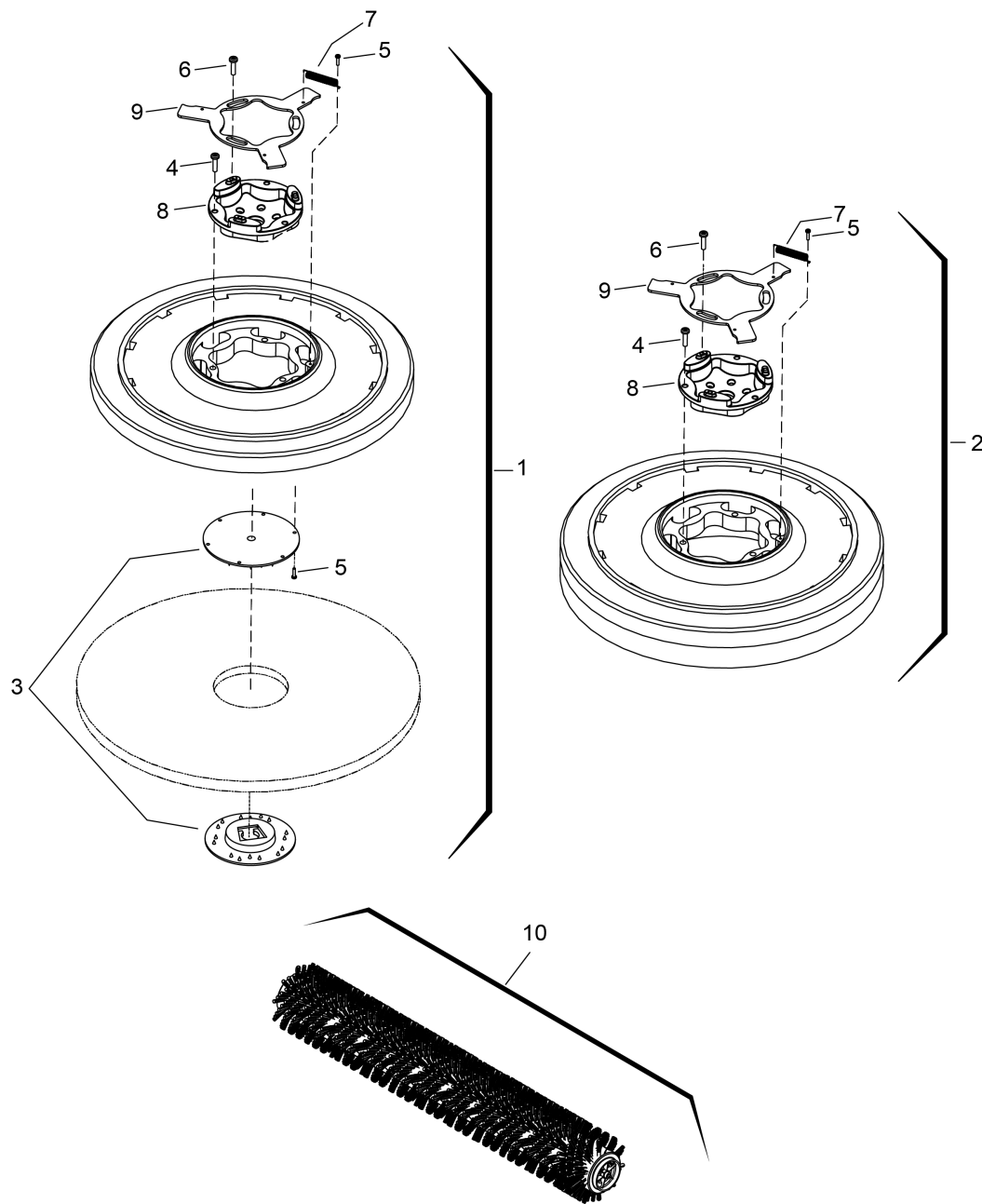
---

<b>POS</b>	<b>Article no.</b>	<b>Description</b>	<b>Quantity</b>	<b>Unit</b>
1	7.303-104.0	Screw 5x16 -A2-70 (IN6RD)	9	PC
2	8.619-844.0	CLAMP, 1/4 PLASTIC CABLE	9	PC
3	8.632-791.0	SCREW, KA50 X 25 PTOVHS STL WN1412 ZNPLT	4	PC
4	8.617-333.0	WASHER, M5 SS ISO7093	4	PC



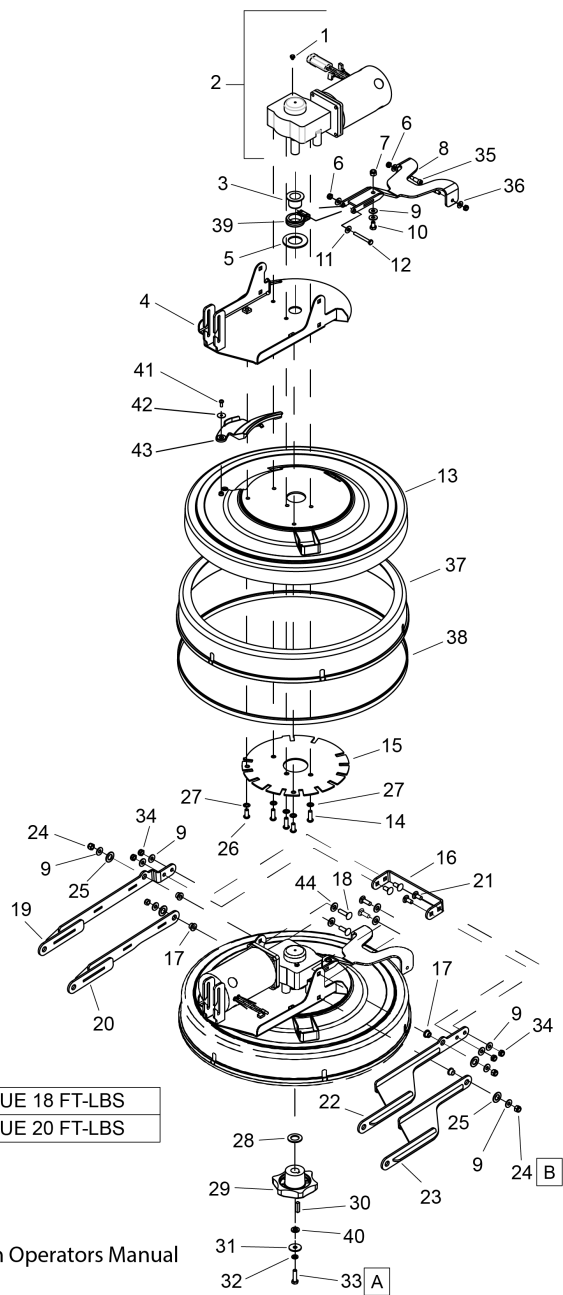
## 18 RECOVERY TANK

POS	Article no.	Description	Quantity	Unit
1	8.632-951.0	PLATE, INTAKE RETAINER	2	PC
2	8.632-802.0	HOSE ASM, 1.25 ID X 14.0, 4:1	1	PC
3	8.632-791.0	SCREW, KA50 X 25 PTOVHS STL WN1412 ZNPLT	3	PC
4	8.641-363.0	GASKET, REC TANK 68.3"	1	PC
5	8.632-784.0	GASKET, VAC MOUNT 27"	1	PC
6	8.632-759.0	LANYARD, 15.0 W/LOOP & EYE	1	PC
7	7.303-104.0	Screw 5x16 -A2-70 (IN6RD)	11	PC
8	8.632-627.0	CLAMP, 1.5 DIA	2	PC
9	8.632-620.0	GASKET, VACUUM INTAKE	1	PC
10	8.633-422.0	FRAME, VACUUM MOTOR, BLK	1	PC
11	8.631-821.0	Intake duct turbine	1	PC
12	8.634-472.0	PANEL, BACK B40RS BLK TRIM	1	PC
13	8.633-420.0	TANK, RECOVERY, BLK	1	PC
14	8.633-470.0	DRAIN HOSE, CMPS, YLW	1	PC
15	8.617-333.0	WASHER, M5 SS ISO7093	10	PC
16	8.617-314.0	SCREW, KA40 X 10 OVHCS STL WIN1412 ZNPLT	2	PC
17	8.600-240.0	Clamp 2.0" WORM GEAR X .312W	2	PC
18	8.635-606.0	Cage float -2Balls	1	PC
19	8.616-180.0	Snap fastener	1	PC
20	8.631-292.0	GASKET, VAC MOTOR	1	PC
21	8.633-570.0	Bracket drain hose	1	PC
22	8.600-707.0	SCREW, 5/16-18 X 1 PHTRHMS SS	1	PC
23	8.600-765.0	SPACER, .317 X .438 X .25	1	PC
24	8.601-067.0	WASHER, 5/16 FLT SS	1	PC
25	8.627-083.0	NUT, 5/16-18 HEX NYLOCK SS	1	PC



## 19 SCRUB BRUSH/PAD DRIVER

POS	Article no.	Description	Quantity	Unit
1	8.600-041.0	PAD DRIVER, 20" SD U19983	1	PC
2	8.600-042.0	Brush	1	PC
2	8.600-043.0	BRUSH, 20" NYLON SD U19985	1	PC
2	8.628-387.0	BRUSH, 20" NYLON POLISH SD	1	PC
3	8.600-507.0	Lock PAD CENTER SNAP,TWO STEP	1	PC
4	8.627-659.0	SCREW, 12-11 X 1 PHPNHMS SS TYPEA	3	PC
5	8.627-658.0	SCREW, 8-32 X .75 PHPNHMS SS	1	PC
6	8.627-660.0	SCREW, 10-12 X .75 PHTRHSMS SS TYPEA	3	PC
7	8.600-791.0	Spring EXT .31D X 2.0L X .03W	1	PC
8	8.600-728.0	Connection piece transmission brush	1	PC
9	8.600-594.0	Plate BRUSH RELEASE	1	PC
10	4.035-184.0	ROLLER BRUSH COMPLETE FOR REPLACEMENT BR	2	PC
10	4.114-010.0	Micro-fibre roll complete BR 55/40	2	PC
10	4.762-409.0	Roller brush complete white BR 55/40	2	PC
10	4.762-410.0	Roller brush complete orange BR 55/40	2	PC
10	4.762-411.0	Roller brush complete green BR 55/40	2	PC
10	4.762-412.0	Roller brush complete black BR 55/40	2	PC
10	4.762-415.0	Roll Pad BR55	2	PC
10	5.033-673.0	Thread deflector	2	PC



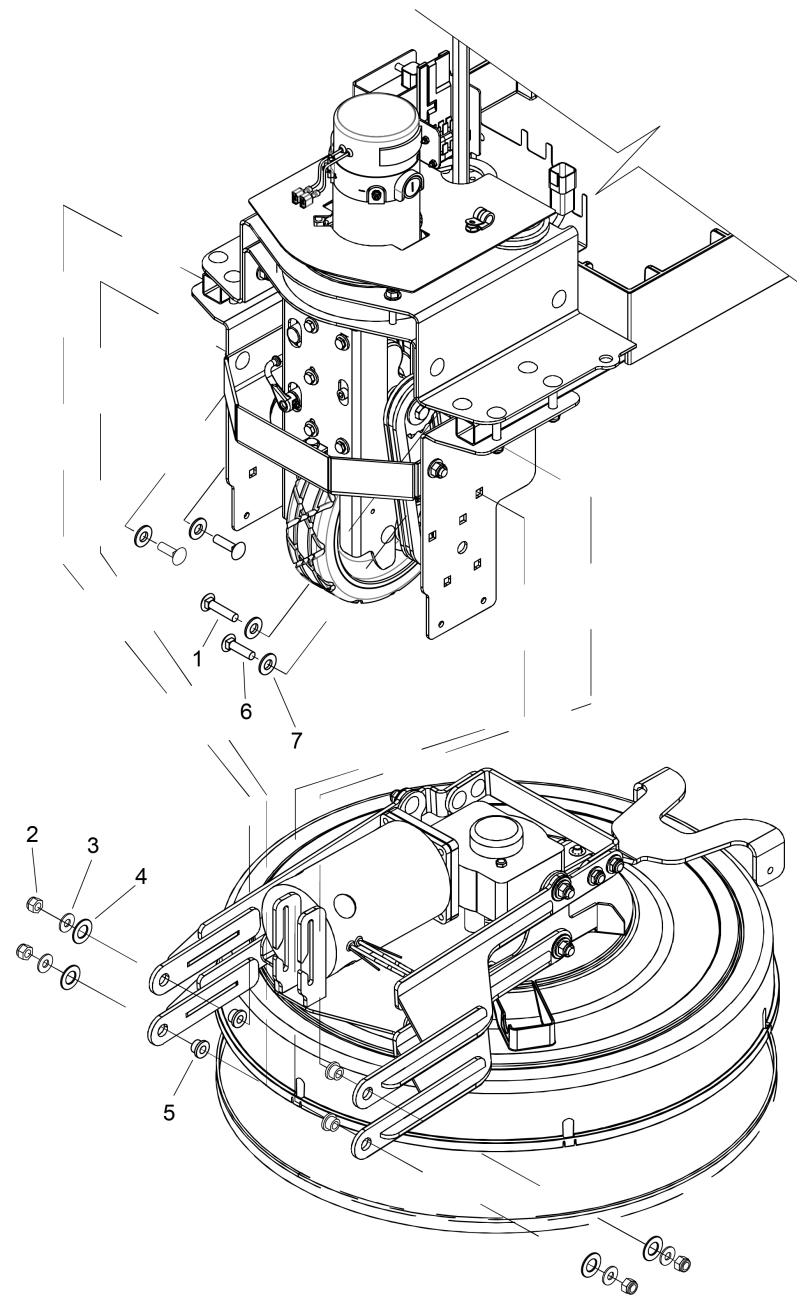
See Serial Number Page in Operators Manual

20 SCRUB BRUSH DECK - DISK

POS	Article no.	Description	Quantity	Unit
1	8.633-134.0	BREATHER VENT, 10-32 THREAD	1	PC
2	8.633-197.0	MOTOR ASM, BRUSH	1	PC
2	8.633-198.0	BRUSH SET, 86331970 SCRBR MTR	1	PC
3	8.632-520.0	Bushing, 30mm, BRNZ	1	PC
4	8.632-643.0	Engine holder complete brush-head	1	PC
5	8.632-656.0	WASHER, 1.28 X 2.28 X .12 NYL	1	PC
6	8.627-187.0	NUT, 1/4-20 HEXTHIN NYLOCK SS	3	PC
7	8.622-230.0	NUT, 5/16-18 HEXTHIN SS	1	PC
8	8.632-037.0	LINKAGE ARM ASSY, PIVOT SQUG	1	PC
9	8.601-067.0	WASHER, 5/16 FLT SS	10	PC
10	8.632-862.0	SCREW, 5/16-18 X .5 HHCS NYL BLK	1	PC
11	8.627-907.0	Washer M6	2	PC
12	8.627-385.0	SCREW, 1/4-20 X 2 HHCS SS	1	PC
13	8.631-980.0	SHROUD, 20" SCRUB DECK	1	PC
14	8.632-956.0	SCREW, M8 X 1.25 X 25 BTNHCS SS ISO7380	3	PC
15	8.632-655.0	SUPPORT PLATE, SHROUD	1	PC
16	8.632-654.0	BRIDGE BRKT, DECK LIFT	1	PC
17	8.622-899.0	BUSHING, .314 X .502 X .375 FLG BRZ	4	PC
18	8.627-713.0	SCREW, 5/16-18 X 1 CARR SS	4	PC
19	8.632-660.0	Retaining plate above right	1	PC
20	8.632-661.0	Retaining plate bottom right	1	PC
21	8.627-607.0	SCREW, 5/16-18 X .75 CARR SS	4	PC
22	8.632-658.0	Retaining plate above left	1	PC
23	8.632-659.0	Retaining plate bottom left	1	PC
24	8.627-083.0	NUT, 5/16-18 HEX NYLOCK SS	4	PC
25	8.625-941.0	WASHER, .51 X 10 X .063 THR	4	PC
26	8.629-004.0	SCREW, 5/16-18 X .75 SCHBTNHCS SS	2	PC
27	8.633-099.0	WASHER, 5/16 INTLK SS	5	PC
28	8.633-720.0	WASHER, 19 X 34 X 3 FLT SS	1	PC
29	8.600-342.0	DRIVER, BRUSH SD	1	PC
30	8.600-481.0	KEY, 1/4 X 1/4 X 1 LCSTL	1	PC
31	8.627-963.0	WASHER, 5/16 X 1.13 X .09 FLT	1	PC
32	8.627-913.0	Washer 5/16 SPLIT LOCK PLTD	1	PC

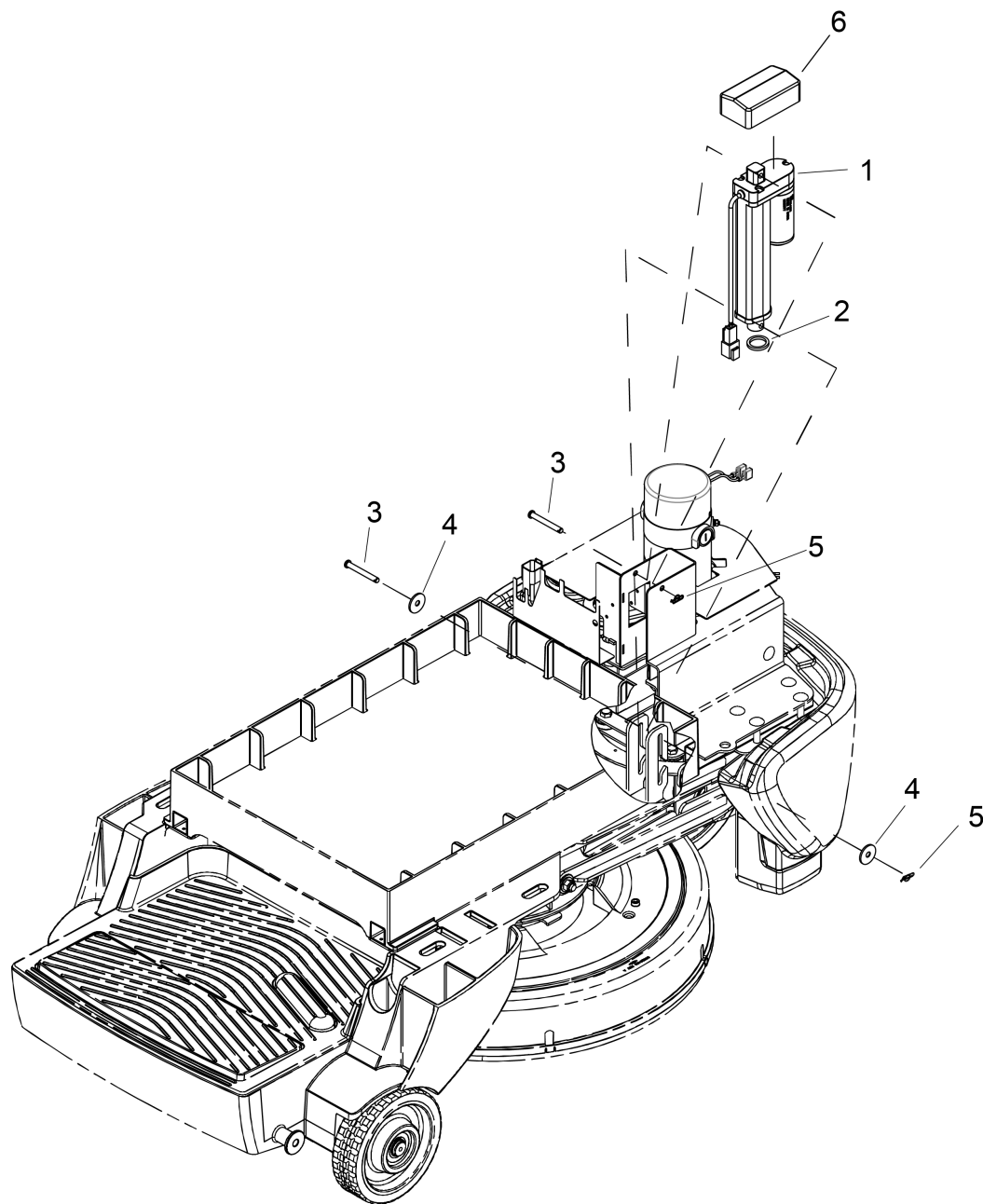
20 SCRUB BRUSH DECK - DISK

POS	Article no.	Description	Quantity	Unit
33	8.633-097.0	SCREW, M8-1.25 X 30 SCHCS SS DIN933	1	PC
34	8.627-184.0	NUT, 5/16-18 HEXTHIN NYLOCK SS	4	PC
35	8.632-770.0	SHOULDER BOLT, 5/16 X .625 SS	2	PC
36	8.601-063.0	WASHER, 1/4 SS	2	PC
37	8.632-043.0	20" BRUSH SKIRT	1	PC
38	8.632-822.0	FLEXIBLE STRIP BRUSH, 20" SKIRT	1	PC
39	8.631-982.0	PIVOT, SQUEEGEE LINKAGE	1	PC
40	8.633-844.0	SPACER, .41 ID X .73 OD X .105T	1	PC
41	8.600-687.0	SCREW, 10 X .5 PHPNHSMS TYPEB BLK	1	PC
42	8.633-545.0	WASHER, 10 X .75 X .04 FNDR NYL BLK	1	PC
43	8.632-448.0	ACCESS COVER, BRUSH RELEASE	1	PC
44	8.601-077.0	WASHER, 7/16 X1 X .08 FLT SS	4	PC



## 21 SCRUB BRUSH DECK MOUNTING - DISK

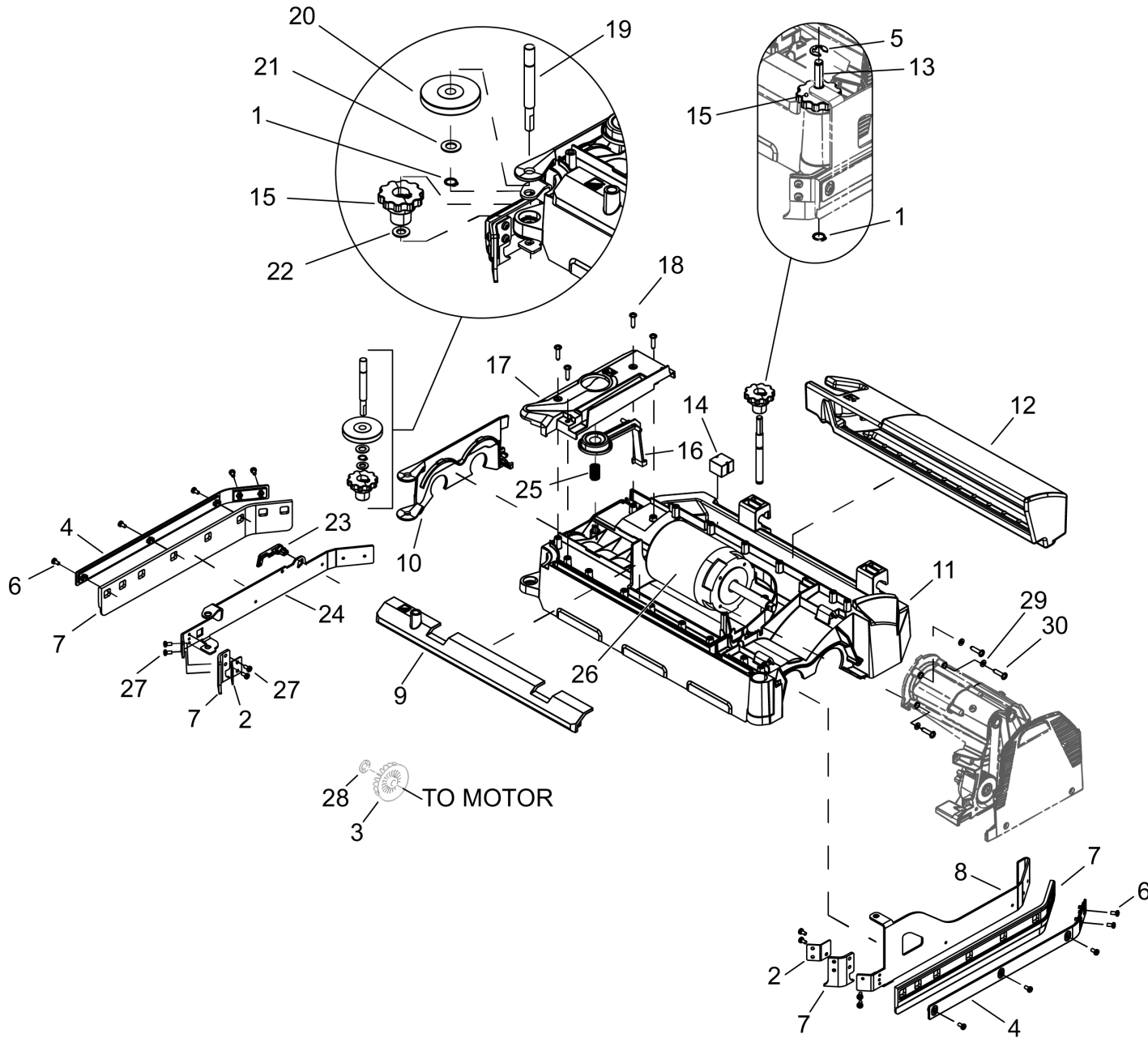
POS	Article no.	Description	Quantity	Unit
1	8.627-703.0	SCREW, 5/16-18 X 1.25 CARR SS	4	PC
2	8.627-083.0	NUT, 5/16-18 HEX NYLOCK SS	4	PC
3	8.601-067.0	WASHER, 5/16 FLT SS	4	PC
4	8.625-941.0	WASHER, .51 X 10 X .063 THR	4	PC
5	8.622-899.0	BUSHING, .314 X .502 X .375 FLG BRZ	4	PC
6	8.627-713.0	SCREW, 5/16-18 X 1 CARR SS	2	PC
7	8.601-077.0	WASHER, 7/16 X1 X .08 FLT SS	4	PC



## 22 SCRUB DECK LIFT

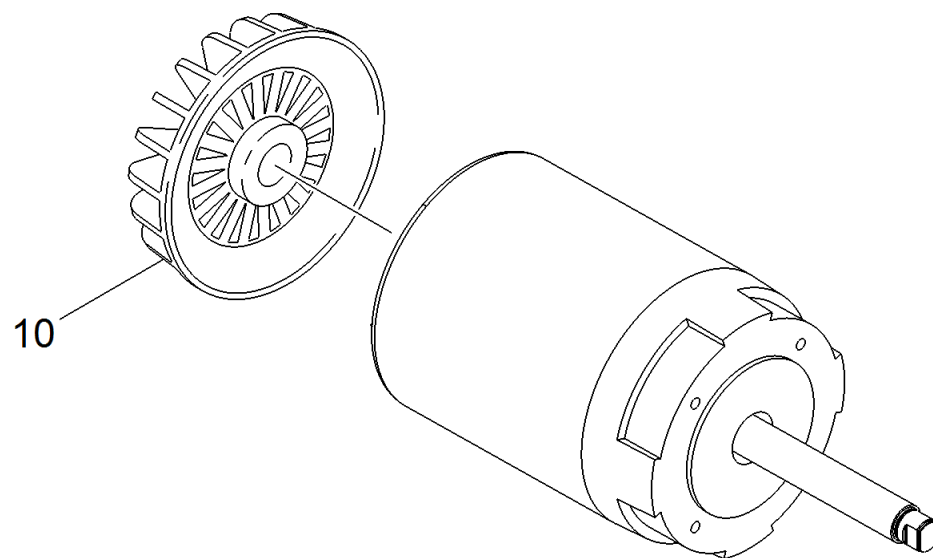
---

<b>POS</b>	<b>Article no.</b>	<b>Description</b>	<b>Quantity</b>	<b>Unit</b>
1	8.632-088.0	ACT, 36VDC, 3.0" STK, 8.74 LNG	1	PC
2	8.634-224.0	SPACER, .81 X 1.06 X .125	1	PC
3	8.632-804.0	PIN, CLEVIS 1/4 X 2 STL ZNPLT	2	PC
4	8.635-475.0	WASHER, .264 X 1 X .07 NYL BLK	2	PC
5	8.600-865.0	PIN, COTTER RING 1/4 X .041 X .844	2	PC
6	8.640-555.0	Cap tube 2X3.5	1	PC



## 23 SCRUB DECK - CYLINDRICAL

POS	Article no.	Description	Quantity	Unit
1	7.343-003.0	Locking ring 12x1-Rf-St DIN 471	2	PC
2	5.035-357.0	Side plate rubber lip	2	PC
3	6.613-025.0	Blower wheel	1	PC
4	5.035-427.0	Screen suction lips	2	PC
5	7.343-047.0	Lock washer 10-FST-A2E DIN 6799	1	PC
6	7.306-181.0	Screw M 5x 12-A2-70 (In6Rd)	10	PC
7	4.035-404.0	Set side strip	2	PC
8	5.035-431.0	Retaining plate scraper lip left	1	PC
9	5.035-558.0	Strip water distribution	1	PC
10	5.035-393.0	Brushes retainer	1	PC
11	5.035-389.0	Housing bottom part R 55	1	PC
12	5.035-399.0	Sweep tank R 55	1	PC
13	5.116-339.0	Threaded bolt	1	PC
14	5.035-426.0	Plug head R	1	PC
15	5.033-666.0	Adjustment wheel	2	PC
16	5.035-458.0	Brushes locking part	1	PC
17	5.035-405.0	Housing top part locking part	1	PC
18	7.303-113.0	Screw 6x25 -10.9-R2R (In6Rd)	8	PC
19	5.035-432.0	Bolt deflector roll right	1	PC
20	5.035-438.0	Deflector roll	1	PC
21	5.115-681.0	Washer	1	PC
22	7.312-066.0	Washer 10 -A2 ISO 7089	1	PC
23	5.035-429.0	Locking bar side plate	1	PC
24	4.035-382.0	Sheet metal component side strip	1	PC
25	6.330-450.0	Pressure spring	1	PC
26	4.035-378.0	Motor with plug	1	PC
27	7.306-180.0	Screw M5x10-A2-70 (In6Rd)	8	PC
28	6.343-149.0	Quick-fastener	1	PC
29	7.312-026.0	Washer 6 -A2 ISO 7089	4	PC
30	7.306-196.0	Screw M 6x30-A2-70 (IN6RD)	4	PC

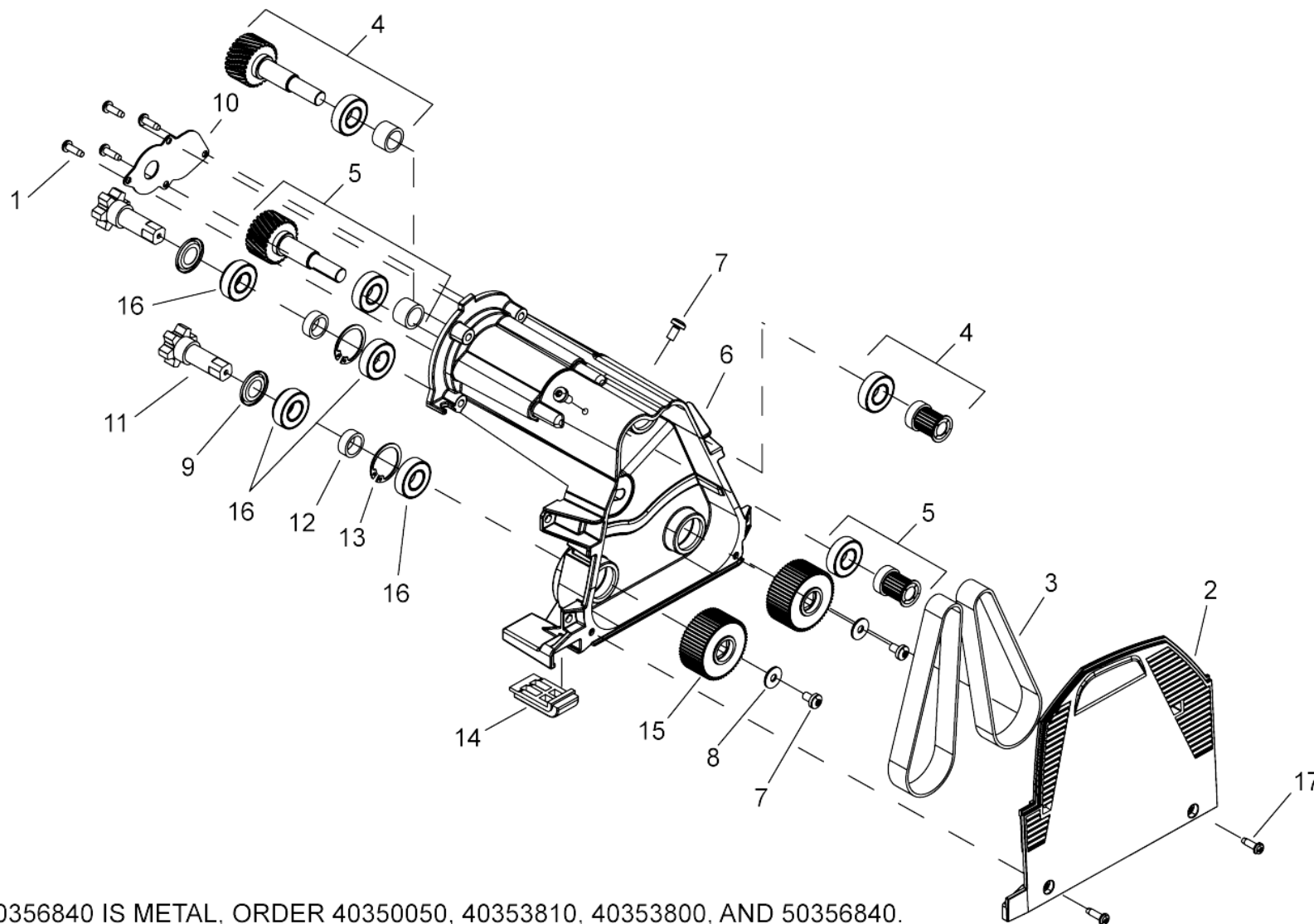


26 Motor with plug (4.035-378.0)

---

POS	Article no.	Description	Quantity	Unit
10	6.613-025.0	Blower wheel	1	PC

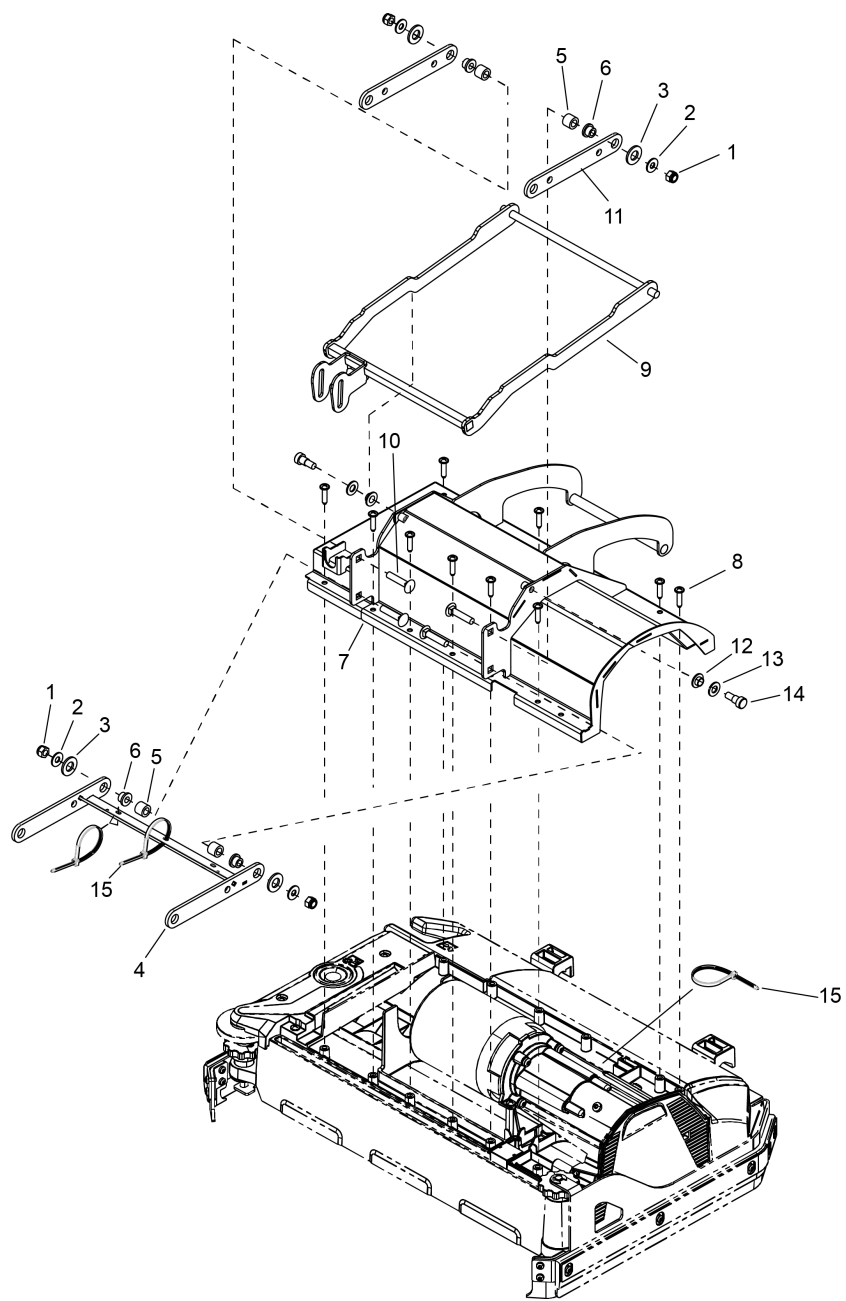
24 SCRUB DECK DRIVE ASSEMBLY - CYLINDRICAL



\*IF 50356840 IS METAL, ORDER 40350050, 40353810, 40353800, AND 50356840.

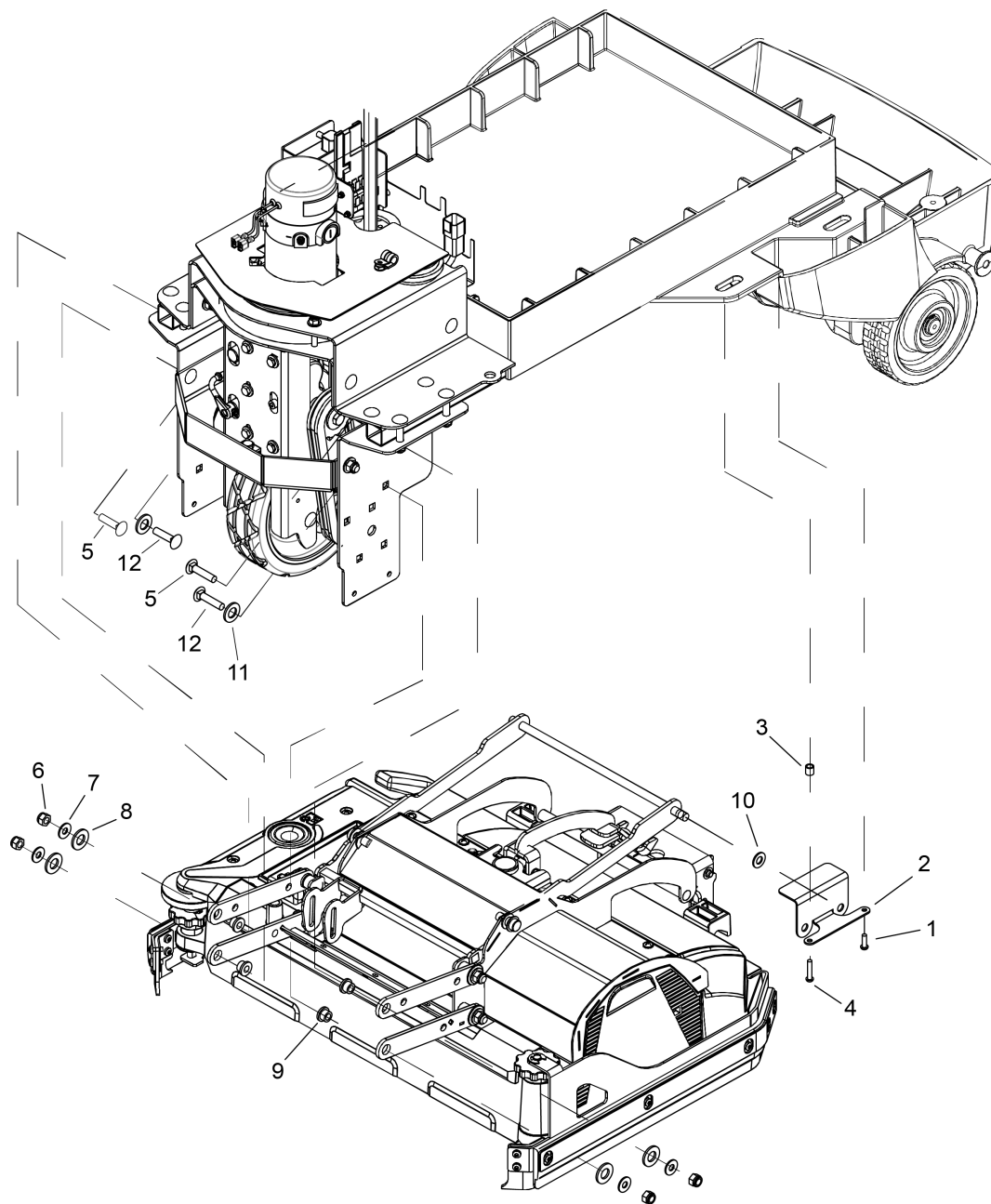
## 24 SCRUB DECK DRIVE ASSEMBLY - CYLINDRICAL

POS	Article no.	Description	Quantity	Unit	Remark
1	7.303-104.0	Screw 5x16 -A2-70 (IN6RD)	4	PC	
2	5.035-385.0	Cover gear	1	PC	
3	4.035-005.0	Toothed belt replacement	2	PC	*SEE NOTE IN GRAPHIC
4	4.035-381.0	Shaft gear right	1	PC	*SEE NOTE IN GRAPHIC
5	4.035-380.0	Shaft gear left	1	PC	*SEE NOTE IN GRAPHIC
6	5.035-384.0	Carrier motor worked R	1	PC	
7	7.306-089.0	Screw M6x12 -8.8-R2R (In6Rd)	3	PC	
8	7.312-276.0	Washer 6 -200HV-A2E ISO7093-1	2	PC	
9	6.363-469.0	Joint ring stainless steel Nilos 6002	2	PC	
10	5.035-684.0	Covering cap gear	1	PC	*SEE NOTE IN GRAPHIC
11	5.101-104.0	Driveshaft	2	PC	
12	5.110-686.0	Spacer sleeve	2	PC	
13	7.343-231.0	Locking ring 32x1,2 -St-ph DIN 472	2	PC	
14	5.056-010.0	Rocker BR-VS	1	PC	
15	5.625-507.0	Belt pulley 56Z	2	PC	
16	7.401-115.0	Ball bearing 6002-2RS -WAEZLAGST DIN 62	4	PC	
17	7.303-039.0	Screw M5x16 -St-P2R (In6Rd)	2	PC	



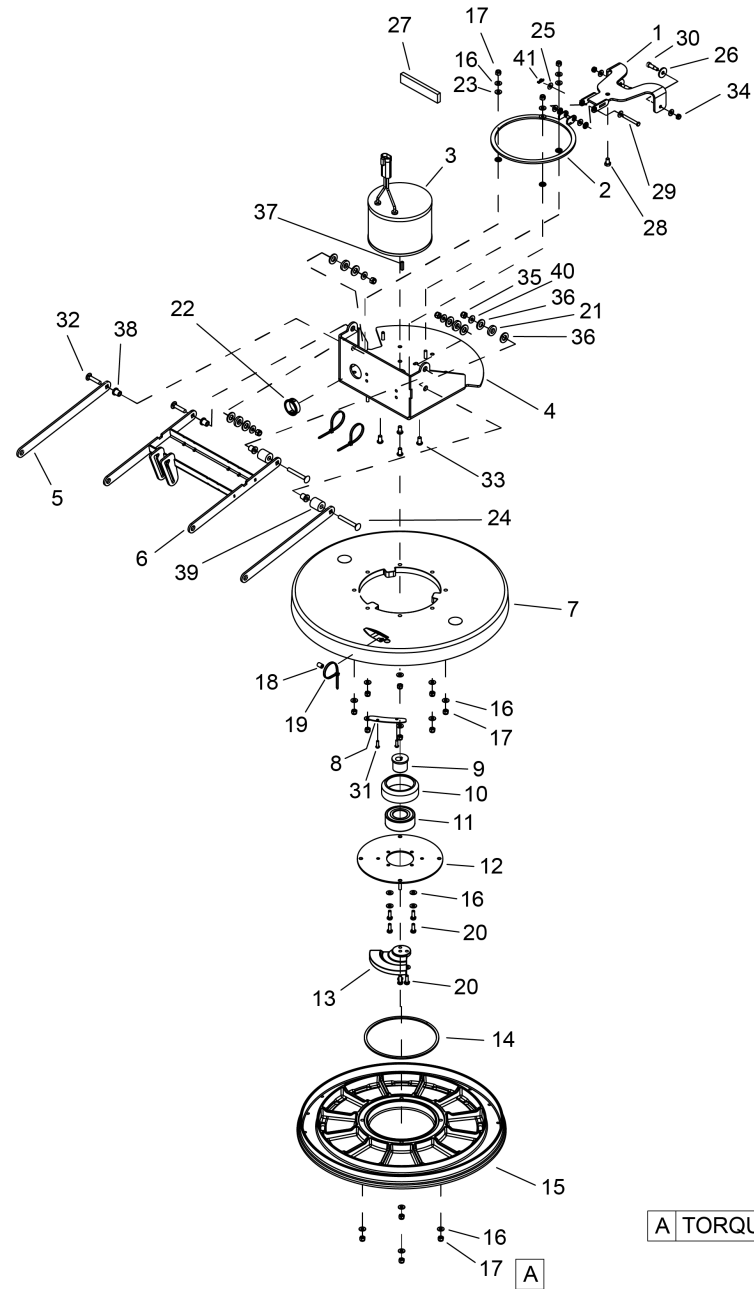
## 25 SCRUB DECK LINKAGE - CYLINDRICAL

POS	Article no.	Description	Quantity	Unit
1	8.627-083.0	NUT, 5/16-18 HEX NYLOCK SS	4	PC
2	8.601-067.0	WASHER, 5/16 FLT SS	4	PC
3	8.625-941.0	WASHER, .51 X 10 X .063 THR	4	PC
4	8.641-674.0	BRACKET, LINKAGE BOTTOM	1	PC
5	8.634-821.0	SPACER, .381IDx.630Dx.50L, AL	4	PC
6	8.622-899.0	BUSHING, .314 X .502 X .375 FLG BRZ	4	PC
7	8.634-643.0	COVER, CYL DECK, 22IN	1	PC
8	7.303-113.0	Screw 6x25 -10.9-R2R (In6Rd)	13	PC
9	8.634-632.0	Frame lift arm	1	PC
10	8.627-747.0	SCREW, 5/16-18 X 1.5 CARR SS	4	PC
11	8.641-677.0	LINKAGE ARM, TOP	2	PC
12	8.634-791.0	SPACER. FLG .375ID x .44OD, NYL	2	PC
13	8.601-068.0	WASHER, 3/8 NYL	2	PC
14	8.627-833.0	SHOULDER BOLT, 3/8 X .375L SS	2	PC
15	8.626-492.0	CABLE TIE, 7" UL/CSA	3	PC
16	8.634-768.0	Sheet metal component connection	1	PC
17	8.634-793.0	Plate holder	2	PC



## 26 SCRUB DECK MOUNTING - CYLINDRICAL

POS	Article no.	Description	Quantity	Unit
1	7.303-104.0	Screw 5x16 -A2-70 (IN6RD)	2	PC
2	8.634-652.0	Sheet metal component lifting	2	PC
3	8.622-676.0	SPACER, 3.8 ODX.257IDX.38L NYL	2	PC
4	8.632-791.0	SCREW, KA50 X 25 PTOVHS STL WN1412 ZNPLT	2	PC
5	8.627-703.0	SCREW, 5/16-18 X 1.25 CARR SS	2	PC
6	8.627-083.0	NUT, 5/16-18 HEX NYLOCK SS	4	PC
7	8.601-067.0	WASHER, 5/16 FLT SS	4	PC
8	8.625-941.0	WASHER, .51 X 10 X .063 THR	4	PC
9	8.622-899.0	BUSHING, .314 X .502 X .375 FLG BRZ	4	PC
10	8.601-068.0	WASHER, 3/8 NYL	2	PC
11	8.601-077.0	WASHER, 7/16 X1 X .08 FLT SS	2	PC
12	8.627-713.0	SCREW, 5/16-18 X 1 CARR SS	2	PC

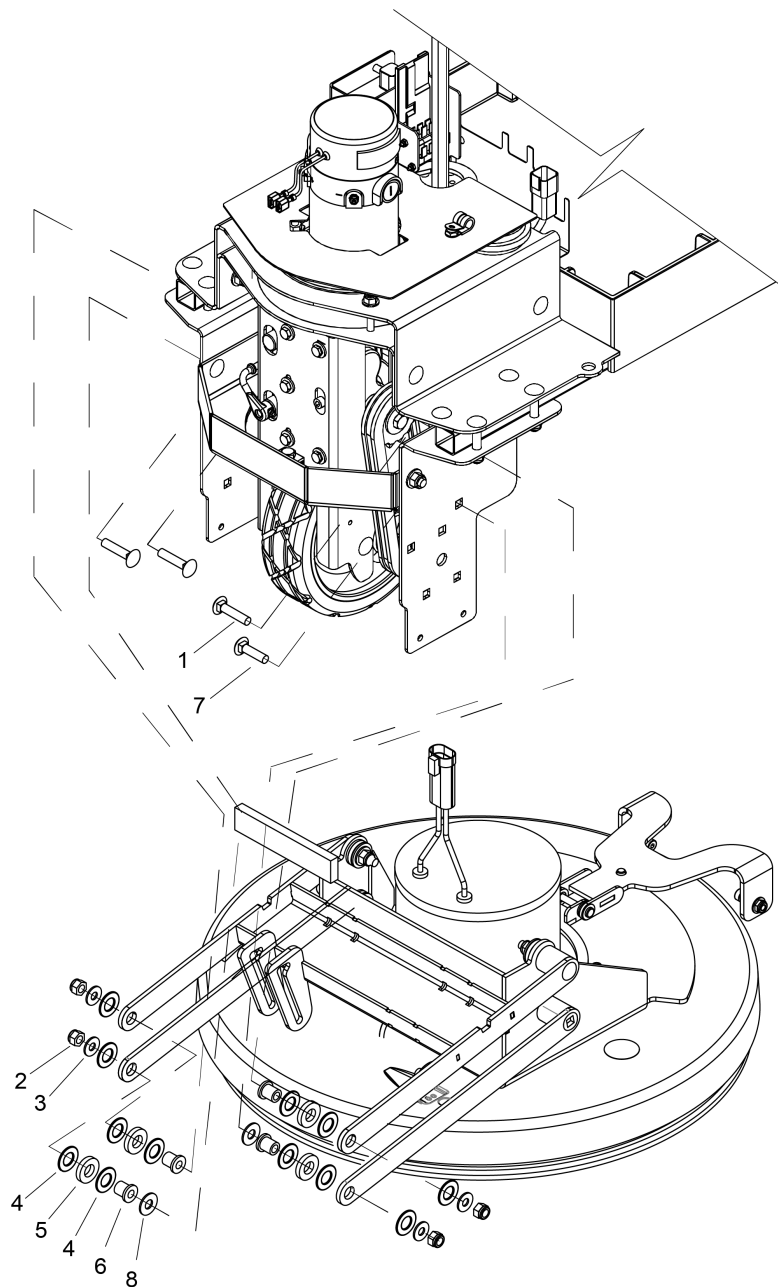


27 SCRUB BRUSH DECK - ORBITAL

POS	Article no.	Description	Quantity	Unit	Remark
1	8.639-269.0	LINKAGE, SQUEEGEE PIVOT ASM	1	PC	
2	8.639-266.0	RING, SQUEEGEE PIVOT ASM	1	PC	
3	8.639-264.0	MOTOR, 36V .5HP 1750RPM	1	PC	
3	8.639-992.0	BRUSH SET FOR 86392640	1	PC	
4	8.639-272.0	MOUNT, DECK	1	PC	
5	8.640-225.0	LINKAGE, DECK	2	PC	
6	8.639-287.0	BRACKET, LIFT ASM, TOP	1	PC	
7	8.639-358.0	SHROUD, 20 INCH ORBITAL	1	PC	
8	8.639-511.0	Plate deflection	1	PC	
9	8.639-263.0	ECCENTRIC, ORBITAL DRIVE	1	PC	
10	8.639-261.0	HOUSING, BEARING	1	PC	
11	8.639-429.0	BEARING, 35 X 72 X 27MM BALL 2RS	1	PC	
12	8.639-335.0	PLATE, BEARING MOUNT	1	PC	
13	8.639-260.0	COUNTERWEIGHT, ORBITAL	1	PC	
14	8.639-513.0	Seal 125 T X .18 W	1	PC	
15	8.639-259.0	PAD DRIVER, ORBITAL, 20 INCH	1	PC	
16	8.601-063.0	WASHER, 1/4 SS	24	PC	
17	8.627-187.0	NUT, 1/4-20 HEXTHIN NYLOCK SS	15	PC	
18	8.639-510.0	SPACER, .140 X .375 X .5 NYL	1	PC	NON CHEMICAL METERING ONLY
19	8.626-494.0	Cable tie 11.38" UL/CSA	3	PC	
20	8.627-378.0	SCREW, 1/4-20 X .75 HHCS SS NP	7	PC	
21	8.639-408.0	WASHER, .500 X 1 X .188 NPRN	8	PC	
22	8.639-524.0	BUSHING, 1.312 X 1.5 X .562 SNAP NYL	1	PC	
23	8.639-505.0	BUSHING, .260 X .4 X .162 FLG NYL	10	PC	
24	8.636-409.0	SCREW, 5/16-18 X 2.5 CARR SS	2	PC	
25	8.635-135.0	WASHER, .260 X .625 X .03 FLT NYL BLK	2	PC	
26	8.640-524.0	WASHER, 5/16 X 1 X .094 FLT PLSTC	2	PC	
27	8.633-277.0	GASKET, HINGE BRACKET	1	PC	
28	8.632-862.0	SCREW, 5/16-18 X .5 HHCS NYL BLK	1	PC	
29	8.632-804.0	PIN, CLEVIS 1/4 X 2 STL ZNPLT	1	PC	
30	8.632-770.0	SHOULDER BOLT, 5/16 X .625 SS	2	PC	
31	7.303-104.0	Screw 5x16 -A2-70 (IN6RD)	2	PC	
32	8.627-747.0	SCREW, 5/16-18 X 1.5 CARR SS	2	PC	

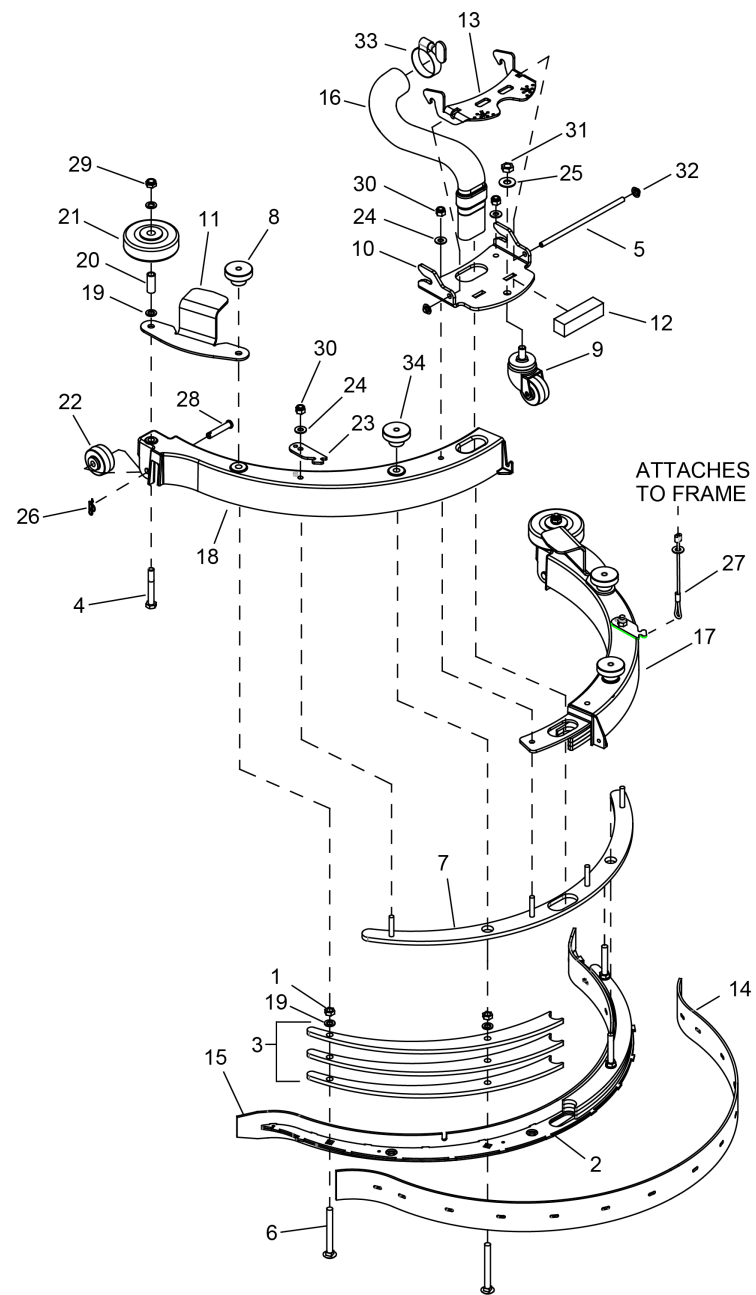
27 SCRUB BRUSH DECK - ORBITAL

POS	Article no.	Description	Quantity	Unit	Remark
33	8.627-746.0	SCREW, 5/16-18 X .625 SCHBTNHCS SS	4	PC	
34	8.627-187.0	NUT, 1/4-20 HEXTHIN NYLOCK SS	2	PC	
35	8.627-083.0	NUT, 5/16-18 HEX NYLOCK SS	4	PC	
36	8.625-942.0	WASHER, .510 X 1 THR	8	PC	
37	8.600-482.0	KEY, 3/16 X 3/16 X .875	1	PC	
38	8.623-115.0	BUSHING, .314 X .502 X .625 FLG	4	PC	
39	8.622-438.0	SPACER, 1 OD X .391 ID X 1.063	2	PC	
40	8.601-067.0	WASHER, 5/16 FLT SS	4	PC	
41	8.600-865.0	PIN, COTTER RING 1/4 X .041 X .844	1	PC	
42	8.633-545.0	WASHER, 10 X .75 X .04 FNDR NYL BLK	1	PC	
43	8.632-448.0	ACCESS COVER, BRUSH RELEASE	1	PC	
44	8.601-077.0	WASHER, 7/16 X1 X .08 FLT SS	4	PC	



## 28 SCRUB BRUSH DECK MOUNTING - ORBITAL

POS	Article no.	Description	Quantity	Unit
1	8.627-747.0	SCREW, 5/16-18 X 1.5 CARR SS	2	PC
2	8.627-083.0	NUT, 5/16-18 HEX NYLOCK SS	4	PC
3	8.601-067.0	WASHER, 5/16 FLT SS	4	PC
4	8.625-941.0	WASHER, .51 X 10 X .063 THR	12	PC
5	8.639-408.0	WASHER, .500 X 1 X .188 NPRN	4	PC
6	8.623-115.0	BUSHING, .314 X .502 X .625 FLG	4	PC
7	8.627-703.0	SCREW, 5/16-18 X 1.25 CARR SS	2	PC
8	8.627-891.0	WASHER, 3/8 SS	2	PC



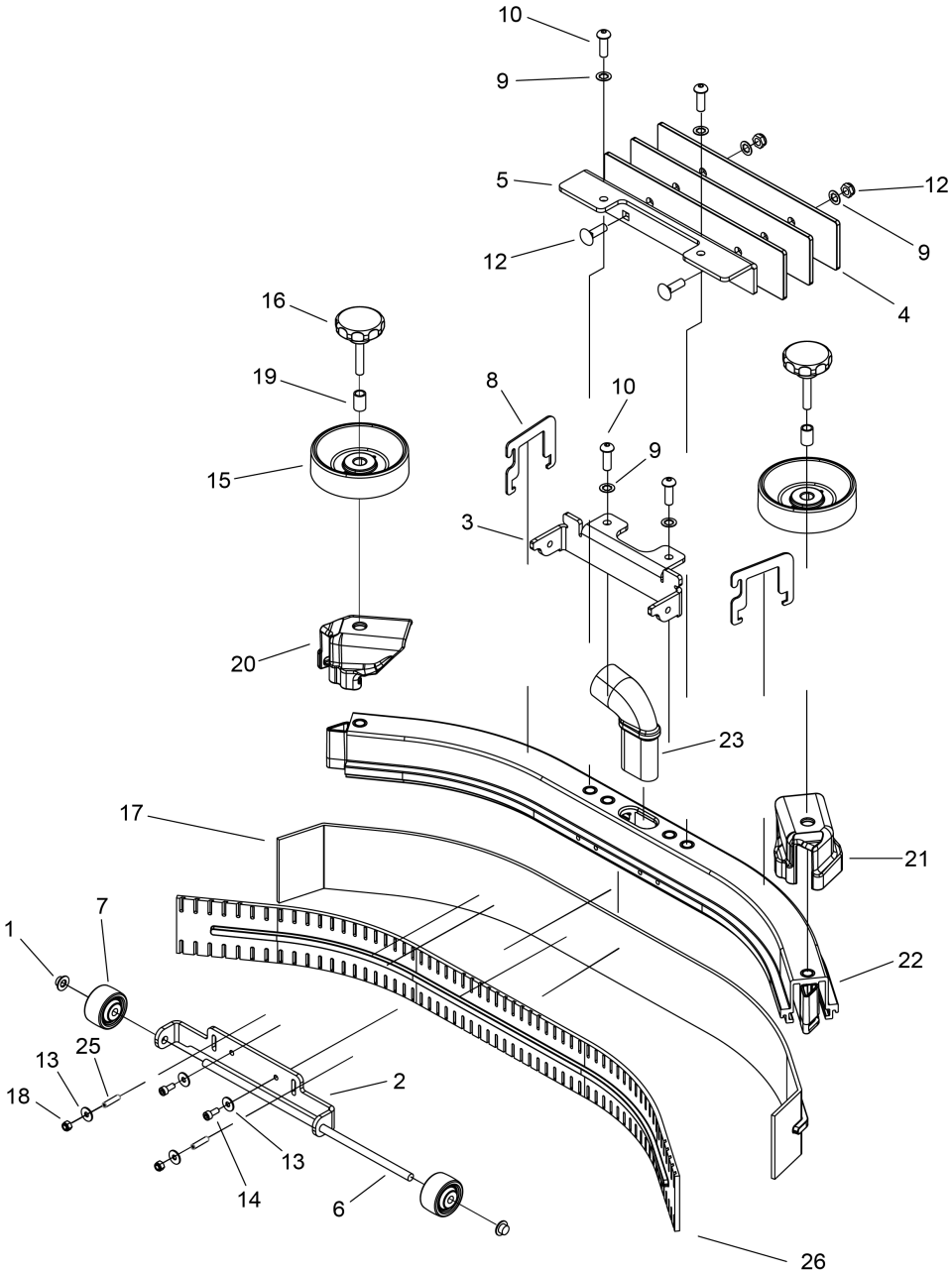
## 29 SQUEEGEE - DISK

POS	Article no.	Description	Quantity	Unit	Remark
1	8.622-230.0	NUT, 5/16-18 HEXTHIN SS	4	PC	
2	8.632-786.0	SQUEEGEE BLADE RETAINER ASSY	1	PC	
3	8.643-721.0	Squeegee weight plate	6	PC	
4	8.632-652.0	SCREW, 5/16-18 X 2.25 HHCS SS	2	PC	
5	8.632-651.0	PIVOT, SHAFT, LATCH	1	PC	
6	8.632-649.0	SCREW, 5/16-18 X 3 CARR SS	4	PC	
7	8.643-722.0	Squeegee cover brace	1	PC	
8	8.621-969.0	Turning knob	4	PC	
9	8.632-646.0	CASTER, 1-5/8, 3/8-24 SHT STUD, MTG51	1	PC	
10	8.632-645.0	RECEIVER, LATCH PLATE, SQUEEGEE	1	PC	
11	8.632-644.0	LIFT BRKT, BUMPER, SQUEEGEE	2	PC	
12	8.632-642.0	Moulded part rubber	1	PC	
13	8.632-640.0	Sheet metal component LATCH SQUEEGEE	1	PC	
14	8.632-607.0	BLADE, SQUEEGEE, REAR, DURO 40	1	PC	
14	8.634-206.0	Strip rear	1	PC	
15	8.632-606.0	BLADE, SQUEEGEE, FRONT, DURO 40	1	PC	
15	8.634-205.0	Strip front	1	PC	
16	8.632-391.0	VACUUM TUBE, SQUEEGEE	1	PC	
17	8.632-073.0	COVER, SQUEEGEE-RH	1	PC	
18	8.632-072.0	COVER, SQUEEGEE-LH	1	PC	
19	8.629-250.0	WASHER, 5/16 X .562 X .063 SS	8	PC	
20	8.600-135.0	BUSHING, SPANNER .435 X 1.10	2	PC	
21	8.601-102.0	Wheel 3" DIA CUSHION RUBBER	2	PC	
22	8.601-088.0	Wheel 1.50D X .31ID X .75W GRY	2	PC	
23	8.633-240.0	LIFT BRKT, DOUBLE SCRUB	2	PC	
24	8.601-063.0	WASHER, 1/4 SS	4	PC	
25	8.627-891.0	WASHER, 3/8 SS	1	PC	
26	8.600-866.0	Cotter 5/16" RING	2	PC	
27	8.633-246.0	LANYARD ASSY, COILED CABLE	2	PC	
28	8.600-627.0	PIN, CLEVIS 5/16 X 1.625 STL ZNPLT	2	PC	
29	8.627-184.0	NUT, 5/16-18 HEXTHIN NYLOCK SS	2	PC	
30	8.627-187.0	NUT, 1/4-20 HEXTHIN NYLOCK SS	4	PC	
31	8.600-580.0	NUT, 3/8-24 HEXTHIN STL GRA ZNPLT	1	PC	

## 29 SQUEEGEE - DISK

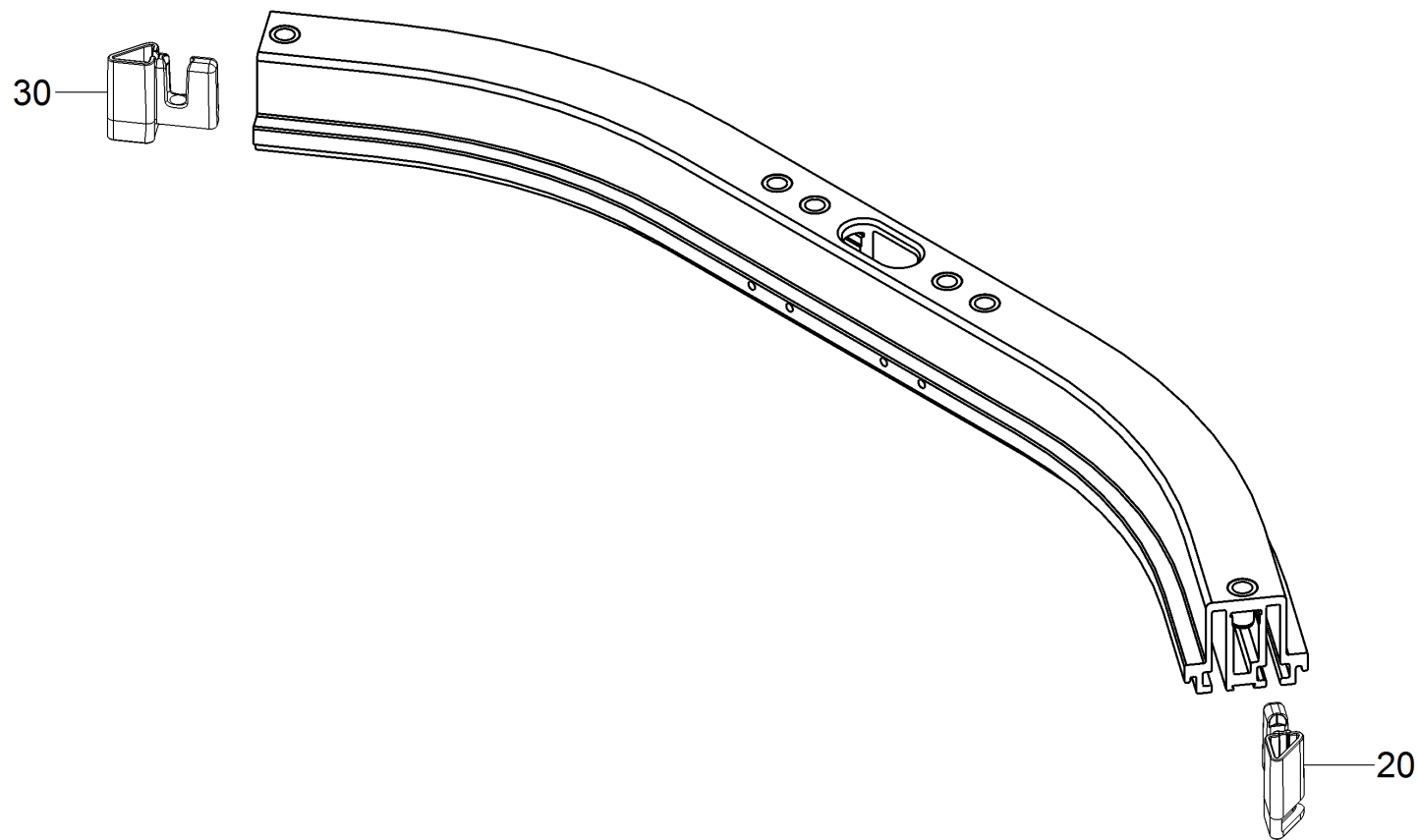
---

<b>POS</b>	<b>Article no.</b>	<b>Description</b>	<b>Quantity</b>	<b>Unit</b>	<b>Remark</b>
32	8.627-124.0	NUT, 1/4 PAL STL ZNPLT	2	PC	
33	8.639-522.0	CLAMP, 1.75 X .5 WORM GEAR WING SS	1	PC	
100	8.633-816.0	Suction bar complete CS20	1	PC	COMPLETE ASSEMBLY



## 30 SQUEEGEE - CYLINDRICAL

POS	Article no.	Description	Quantity	Unit	Remark
1	8.634-819.0	NUT, 5/16 PUSH STL ZNPLT	2	PC	
2	8.634-808.0	BRACKET, CASTER, CYL SQG	1	PC	
3	8.634-807.0	BRACKET, LATCH, CYL SQG	1	PC	
4	8.634-806.0	PLATE, WEIGHT, CYL SQG	3	PC	
5	8.634-805.0	BRACKET, WEIGHT MOUNT	1	PC	
6	8.634-804.0	AXLE, CASTER, CYL SQG	1	PC	
7	8.601-088.0	Wheel 1.5OD X .31ID X.75W GRY	2	PC	
8	8.634-802.0	BRACKET, DOUBLE SCRUB, CYL SQG	2	PC	
9	8.633-099.0	WASHER, 5/16 INTLK SS	6	PC	
10	8.632-956.0	SCREW, M8 X 1.25 X 25 BTNHCS SS ISO7380	4	PC	
11	8.627-713.0	SCREW, 5/16-18 X 1 CARR SS	2	PC	
12	8.627-184.0	NUT, 5/16-18 HEXTHIN NYLOCK SS	2	PC	
13	8.617-333.0	WASHER, M5 SS ISO7093	2	PC	
14	8.617-295.0	SCREW, M5-.8 X 12 SHCS SS DIN912	4	PC	
15	5.515-267.0	Deflector roll	2	PC	
16	6.321-239.0	Star grip VA Ø50x43	2	PC	
17	8.636-859.0	BLADE, SQUEEGEE REAR 34" LINATEX	1	PC	
18	8.602-475.0	NUT, M5X.8 HEX NYLOCK SS DIN985	2	PC	
19	5.094-231.0	Sleeve suction bar in VA	2	PC	
20	5.031-991.0	End piece right	1	PC	
21	5.031-990.0	End piece left	1	PC	
22	4.035-310.0	Suction bar pre-assembled curved	1	PC	
23	8.634-602.0	VACUUM TUBE, SQUEEGEE	1	PC	
25	8.634-963.0	SCREW, M5 X 25 SETCP SS ISO4029	2	PC	
26	8.636-858.0	BLADE, SQUEEGEE FRONT 30" LINTEX	1	PC	
100	8.637-227.0	SQUEEGEE ASM, 22SP LINATEX	1	PC	COMPLETE ASSEMBLY

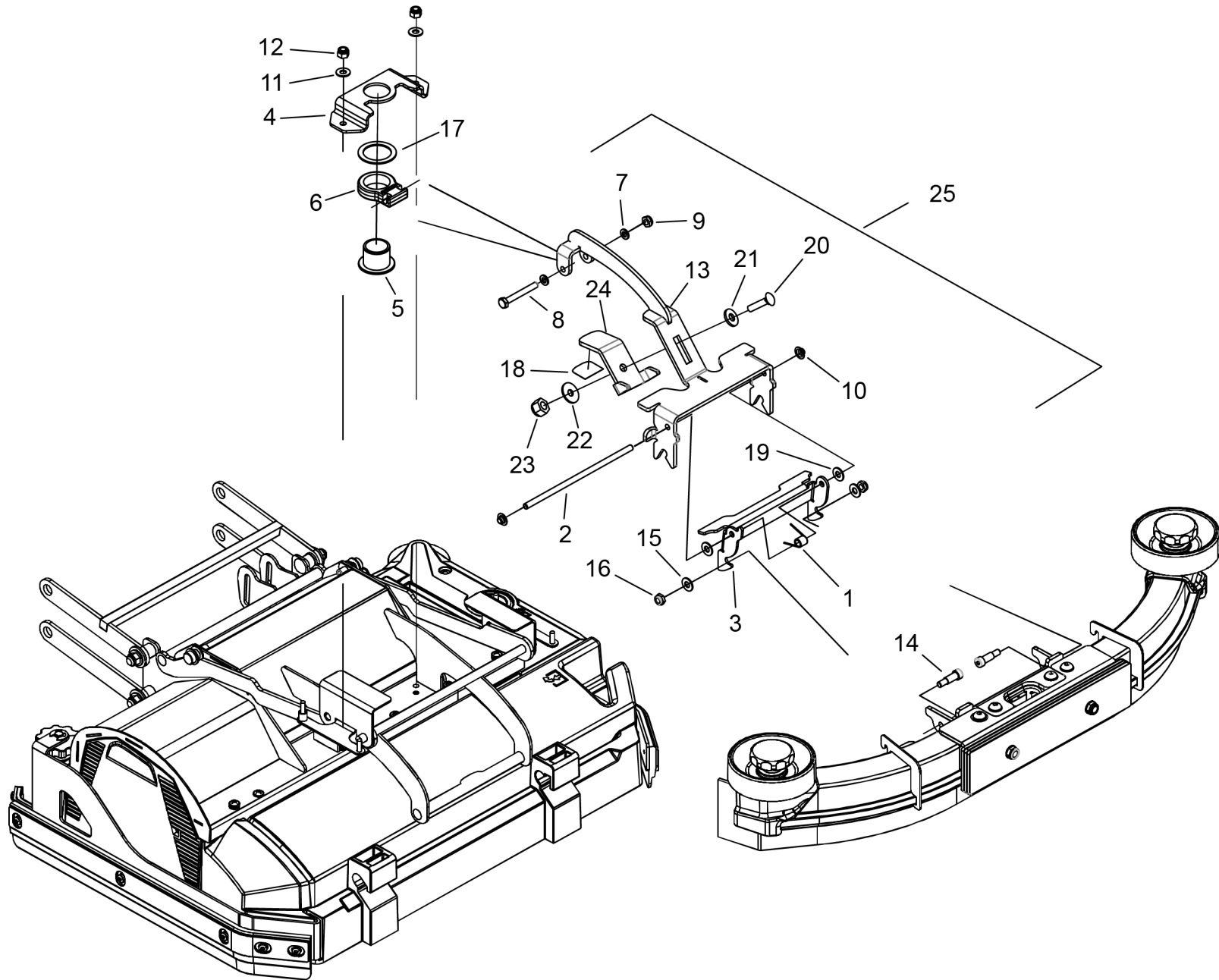


22 Suction bar pre-assembled curved (4.035-310.0)

---

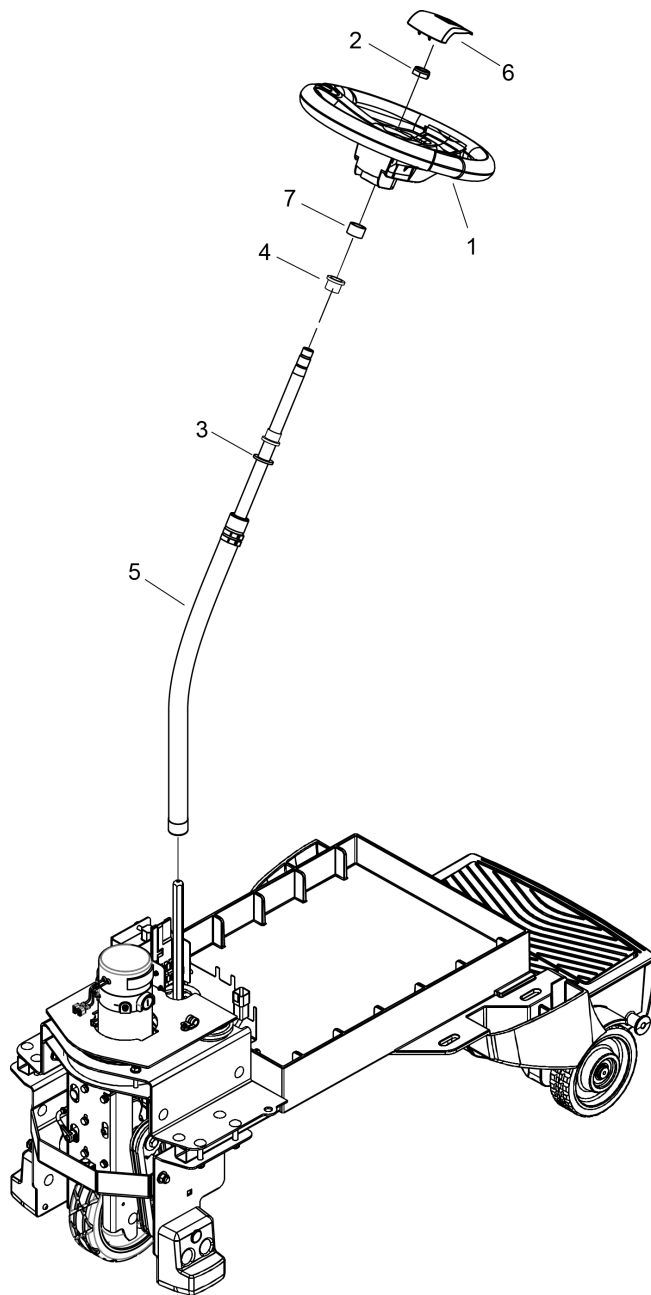
<b>POS</b>	<b>Article no.</b>	<b>Description</b>	<b>Quantity</b>	<b>Unit</b>
20	5.033-578.0	End piece inside left	1	PC
30	5.033-579.0	End piece inside right	1	PC

31 SQUEEGEE LINKAGE - CYLINDRICAL



## 31 SQUEEGEE LINKAGE - CYLINDRICAL

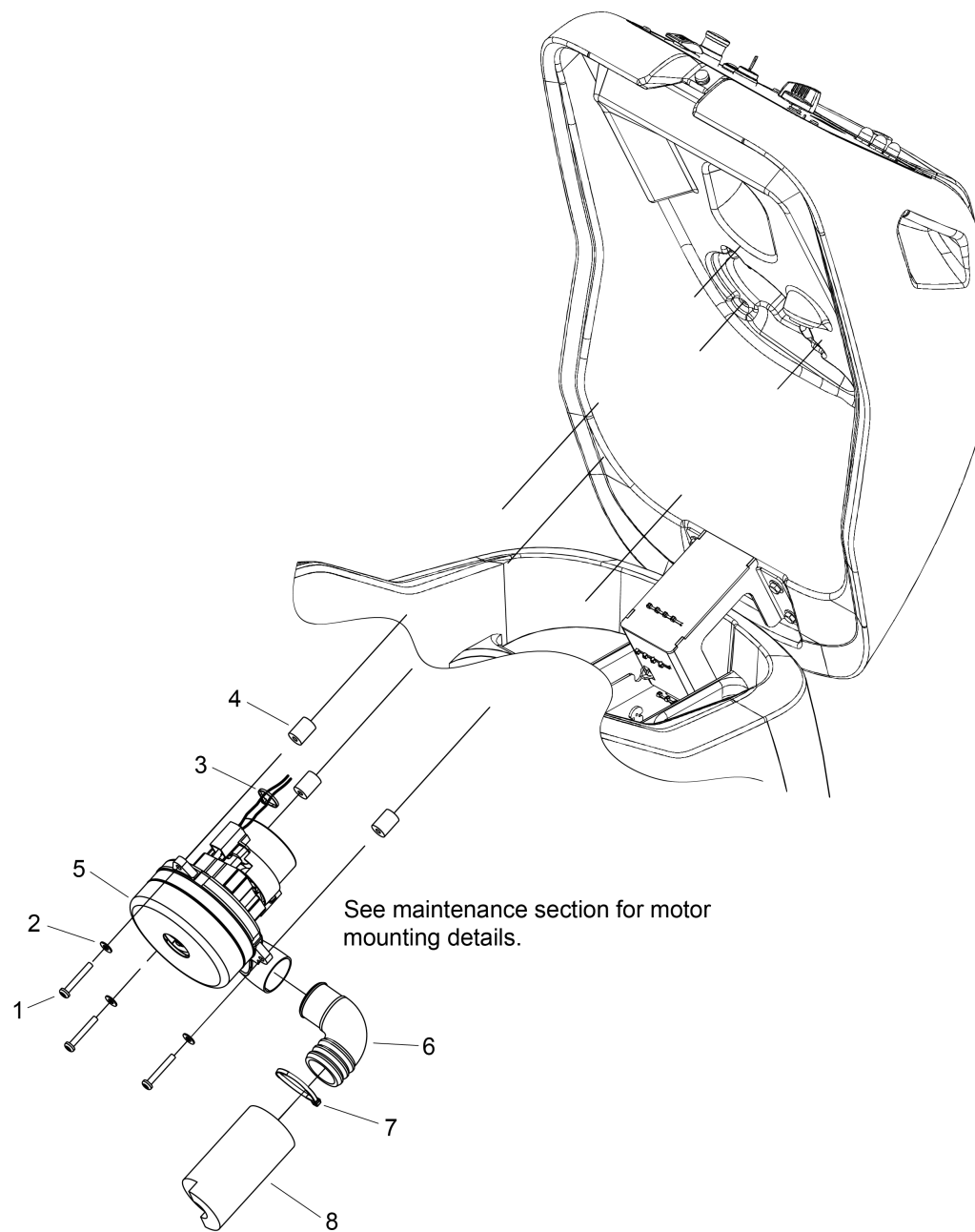
POS	Article no.	Description	Quantity	Unit	Remark
1	8.634-783.0	SPRING, TORSION, .048, 180 DEGREE	1	PC	
2	8.634-650.0	SHAFT, LATCH, SQUEEGEE	1	PC	
3	8.634-648.0	Holder suction bar	1	PC	
4	8.634-644.0	Holder fixing	1	PC	
5	8.632-520.0	Bushing, 30mm, BRNZ	1	PC	
6	8.631-982.0	PIVOT, SQUEEGEE LINKAGE	1	PC	
7	8.627-907.0	Washer M6	2	PC	
8	8.627-385.0	SCREW, 1/4-20 X 2 HHCS SS	1	PC	
9	8.627-187.0	NUT, 1/4-20 HEXTHIN NYLOCK SS	1	PC	
10	8.627-124.0	NUT, 1/4 PAL STL ZNPLT	2	PC	
11	8.601-063.0	WASHER, 1/4 SS	2	PC	
12	8.627-187.0	NUT, 1/4-20 HEXTHIN NYLOCK SS	2	PC	
13	8.636-753.0	BRKT, ADJ. SQUEEGEE MOUNT	1	PC	
14	8.632-770.0	SHOULDER BOLT, 5/16 X .625 SS	2	PC	
15	8.601-063.0	WASHER, 1/4 SS	2	PC	
16	8.627-187.0	NUT, 1/4-20 HEXTHIN NYLOCK SS	2	PC	
17	8.634-867.0	WASHER, 1.26 X 1.7 X .065 FLT NYL BLK	1	PC	
18	8.636-760.0	PAD, WEAR, ADJ SQUEEGEE LIFT	1	PC	
19	8.635-135.0	WASHER, .260 X .625 X .03 FLT NYL BLK	2	PC	
20	8.627-713.0	SCREW, 5/16-18 X 1 CARR SS	1	PC	
21	8.601-077.0	WASHER, 7/16 X1 X .08 FLT SS	1	PC	
22	8.627-963.0	WASHER, 5/16 X 1.13 X .09 FLT	1	PC	
23	8.627-083.0	NUT, 5/16-18 HEX NYLOCK SS	1	PC	
24	8.636-752.0	BRKT, DECK ADJUSTMENT	1	PC	
25	8.637-274.0	SQUEEGEE LINKAGE ASSEMBLY	1	PC	COMPLETE ASSEMBLY



## 32 STEERING

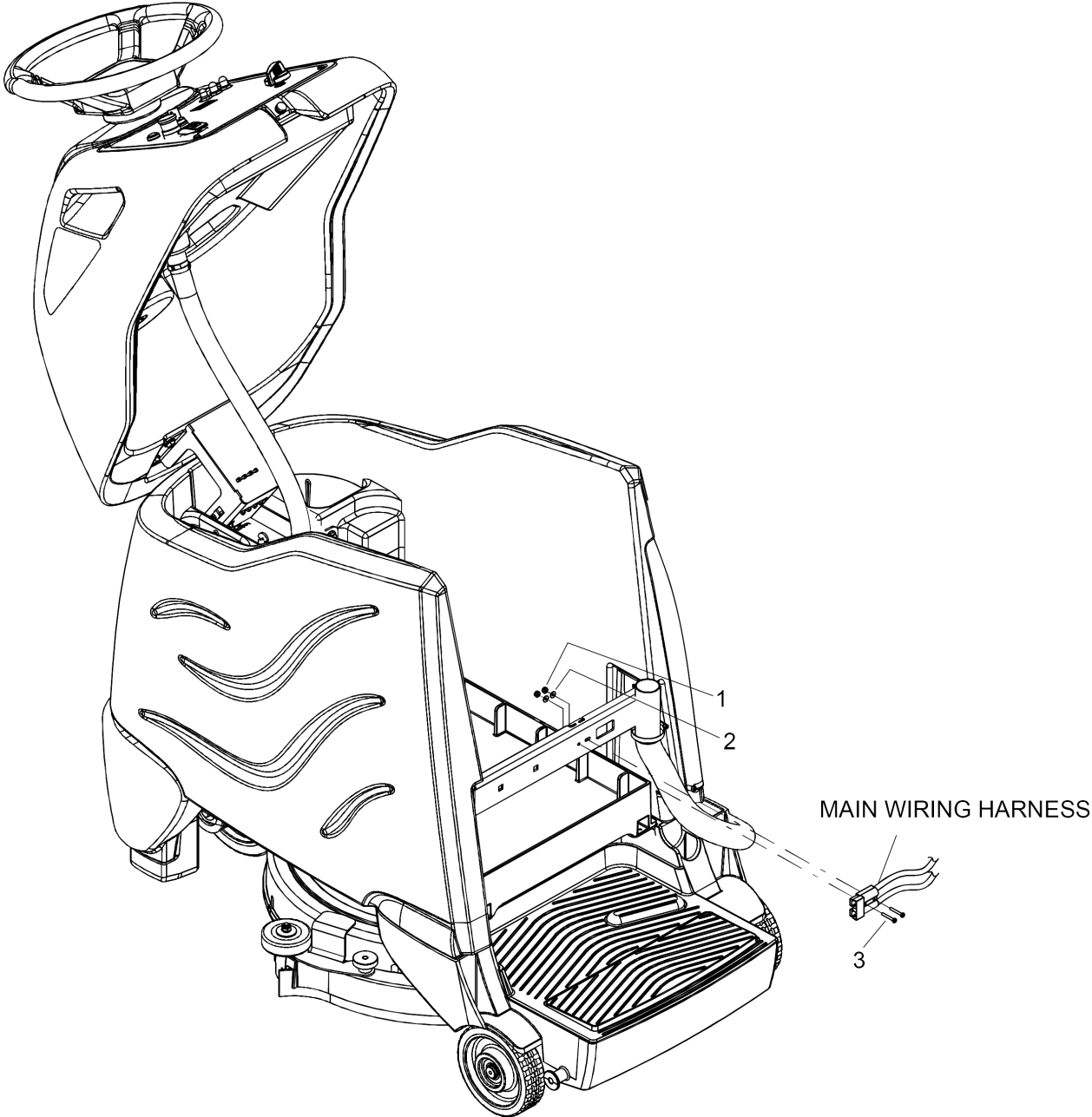
---

POS	Article no.	Description	Quantity	Unit
1	6.435-799.0	Steering wheel	1	PC
2	8.627-161.0	NUT, 5/8-18 HEXTHIN NYLOCK STL GR2 ZNPLT	1	PC
3	8.627-942.0	WASHER, .765 X 1.25 X .08 FLT NYL	1	PC
4	8.622-879.0	BUSHING, .753 X .875 X .75 FLG	2	PC
5	8.633-933.0	SHAFT, STEERING, B40RS	1	PC
6	6.640-353.0	Cap steering wheel KÄRCHER	1	PC
7	8.633-395.0	BUSHING, .751 D X 1 X .625 FLG	1	PC



## 33 VACUUM

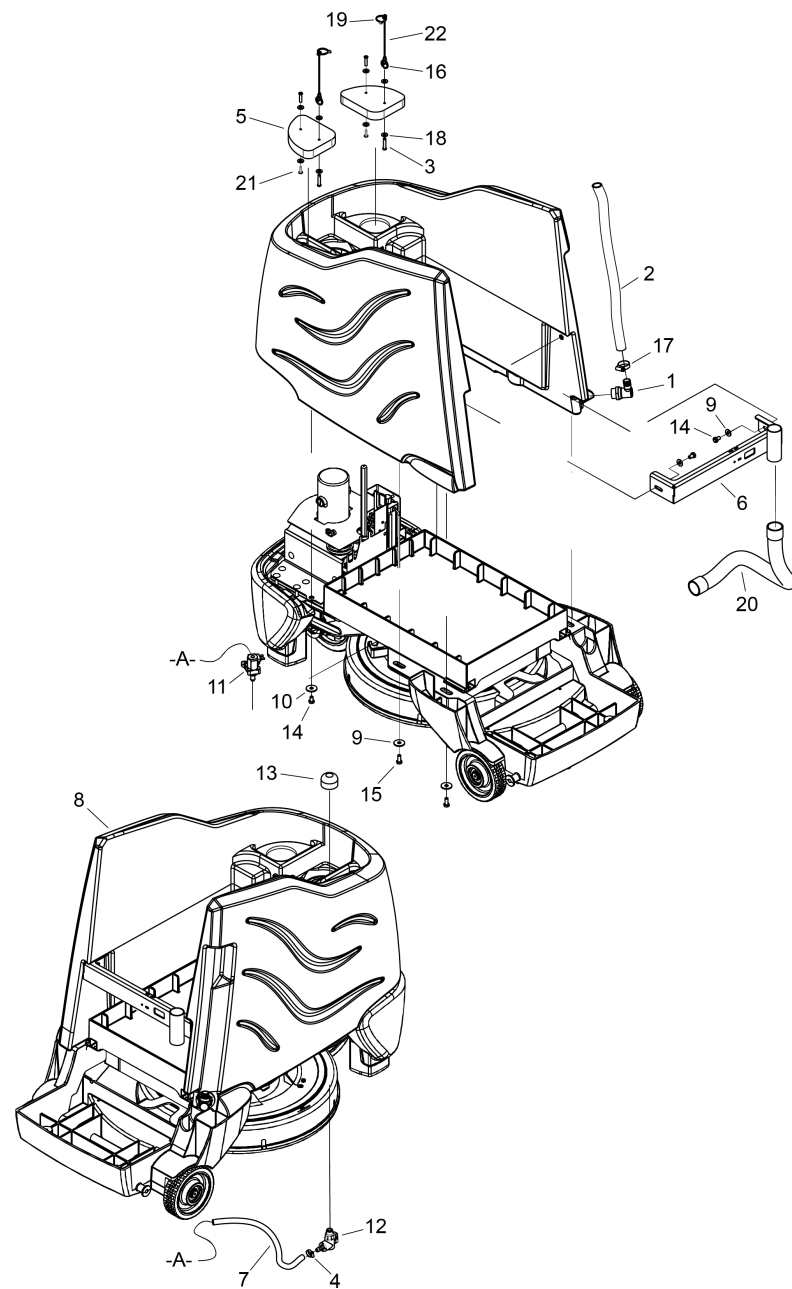
POS	Article no.	Description	Quantity	Unit	Remark
1	8.627-392.0	SCREW, 1/4-20 X 1.75 PHPNHMS SS	3	PC	
2	8.601-063.0	WASHER, 1/4 SS	3	PC	
3	8.626-493.0	CABLE TIE, 3.5" UL/CSA	1	PC	
4	8.632-750.0	BUSHING, .250 X .75 X 1 MOUNT VIBRATION	3	PC	
5	8.601-221.0	VAC MOTOR, 36VDC 2ST TD	1	PC	
5	8.613-531.0	X-REF 8.683-043.0 5/09	1	PC	
6	8.621-775.0	ELBOW, VAC MUFFLER 90 DEG	1	PC	DELUXE ONLY
7	8.626-494.0	Cable tie 11.38" UL/CSA	1	PC	DELUXE ONLY
8	8.622-222.0	MUFFLER, VACUUM FOAM 172	1	PC	DELUXE ONLY



### 34 MAIN HARNESS ATTACHMENT HARDWARE

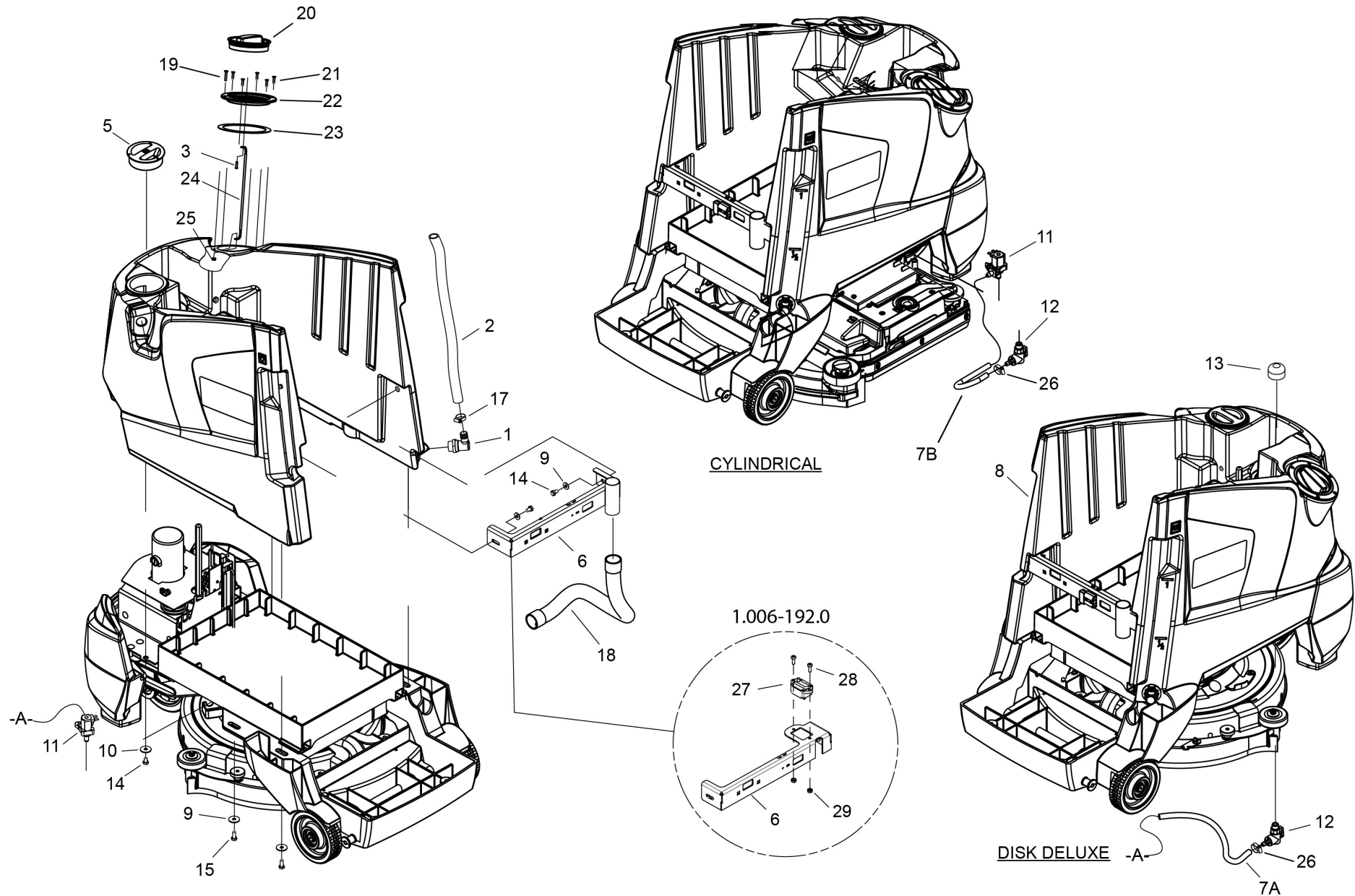
---

POS	Article no.	Description	Quantity	Unit	Remark
1	8.627-092.0	NUT, 6-32 HEX NYLOCK SS	2	PC	
2	8.627-945.0	WASHER, 6 FLT STL ZNPLT	2	PC	
3	8.627-471.0	SCREW, 6-32 X 1 PHPNHMS STL ZNPLT	2	PC	
4	8.627-191.0	Nut 5/16-18 FLEX LK STL GRA ZNPLT	6	PC	NOT SHOWN
5	8.627-576.0	Screw 5/16-18 X 1 HHCS GR8 PLTD	6	PC	NOT SHOWN



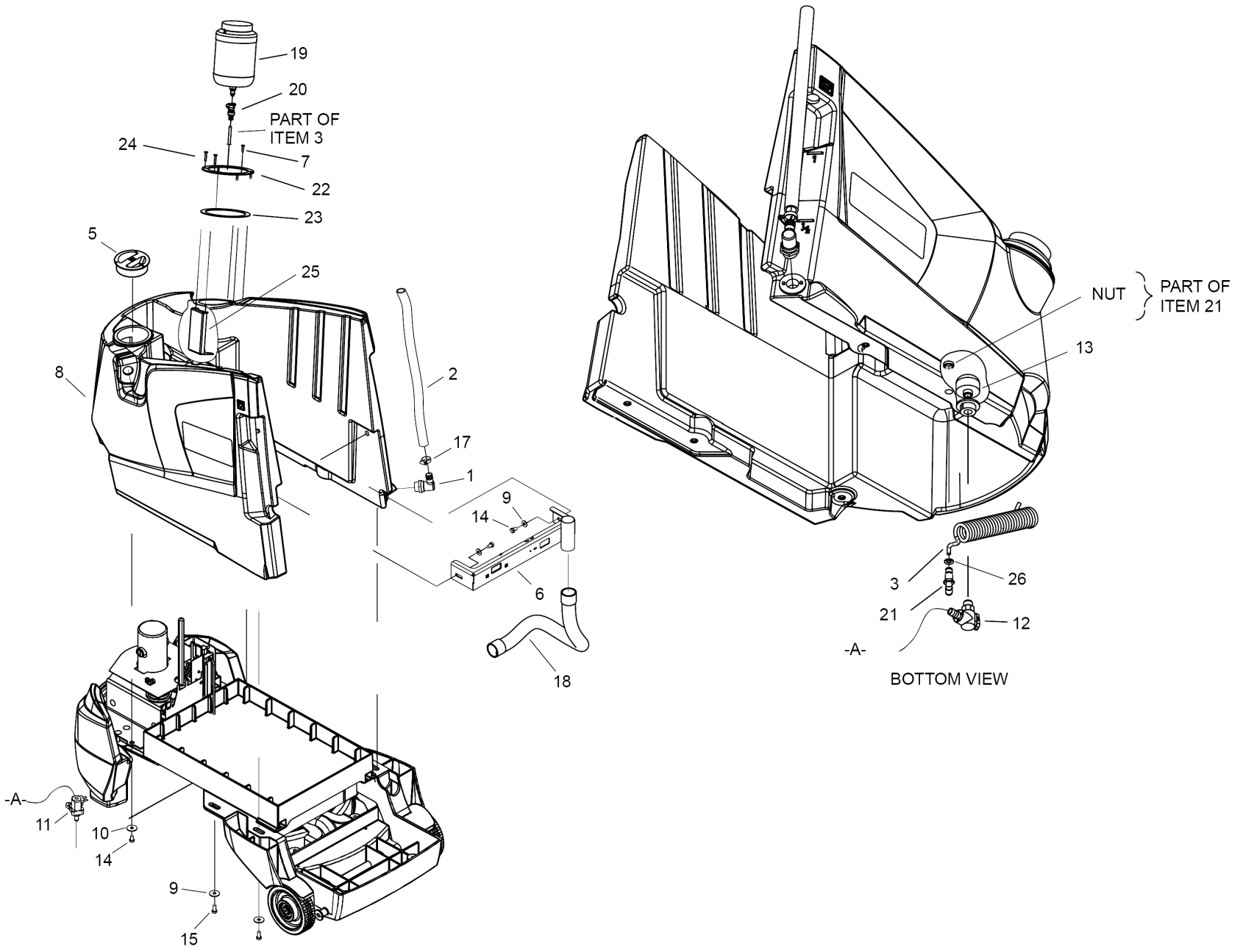
## 35 SOLUTION TANK

POS	Article no.	Description	Quantity	Unit
1	8.632-631.0	FITTING, ELBOW 3/4 BSP, O-RING	1	PC
2	8.632-662.0	HOSE, 3/4ID X .12W X 20"LG, CLR	1	PC
3	8.635-391.0	PIN, CLEVIS 1/4 X 1.125 SS	2	PC
4	8.623-315.0	CLAMP, 3/8 HOSE (D-SLOT)	1	PC
5	8.635-371.0	PLUG, SOLUTION FILL	2	PC
6	8.632-628.0	Bracket tank	1	PC
7	8.632-127.0	HOSE, 3/8 ID WIRE BOUND X 18"	1	PC
8	8.639-888.0	TANK, SOLUTION, CS20	1	PC
9	8.639-417.0	Washer M8 FNDR SS DIN 9021	5	PC
10	8.601-067.0	WASHER, 5/16 FLT SS	2	PC
11	8.636-261.0	VALVE, 36V DC SOLENOID	1	PC
12	8.634-604.0	VALVE, BALL 3/8MPT X 3/8BARB, 90DEG	1	PC
13	8.600-797.0	Strainer 3/8 IN. NPT 60 MESH	1	PC
14	8.627-518.0	SCREW, 5/16-18 X .5 STL GR5 ZNPLT	4	PC
15	8.600-676.0	SCREW, 5/16-18 X .75 HHCS	3	PC
16	8.635-388.0	RING, SPLIT, ID .826" SS	2	PC
17	8.623-311.0	CLAMP, 1.0" WORM GEAR	1	PC
18	8.601-063.0	WASHER, 1/4 SS	8	PC
19	8.626-493.0	CABLE TIE, 3.5" UL/CSA	2	PC
20	8.632-802.0	HOSE ASM, 1.25 ID X 14.0, 4:1	1	PC
21	8.635-390.0	SCREWPOST, 1/4 X 1 PLSTC BLK	2	PC
22	8.624-609.0	LANYARD,.093X6", 1~LOOP-.26EYE	2	PC



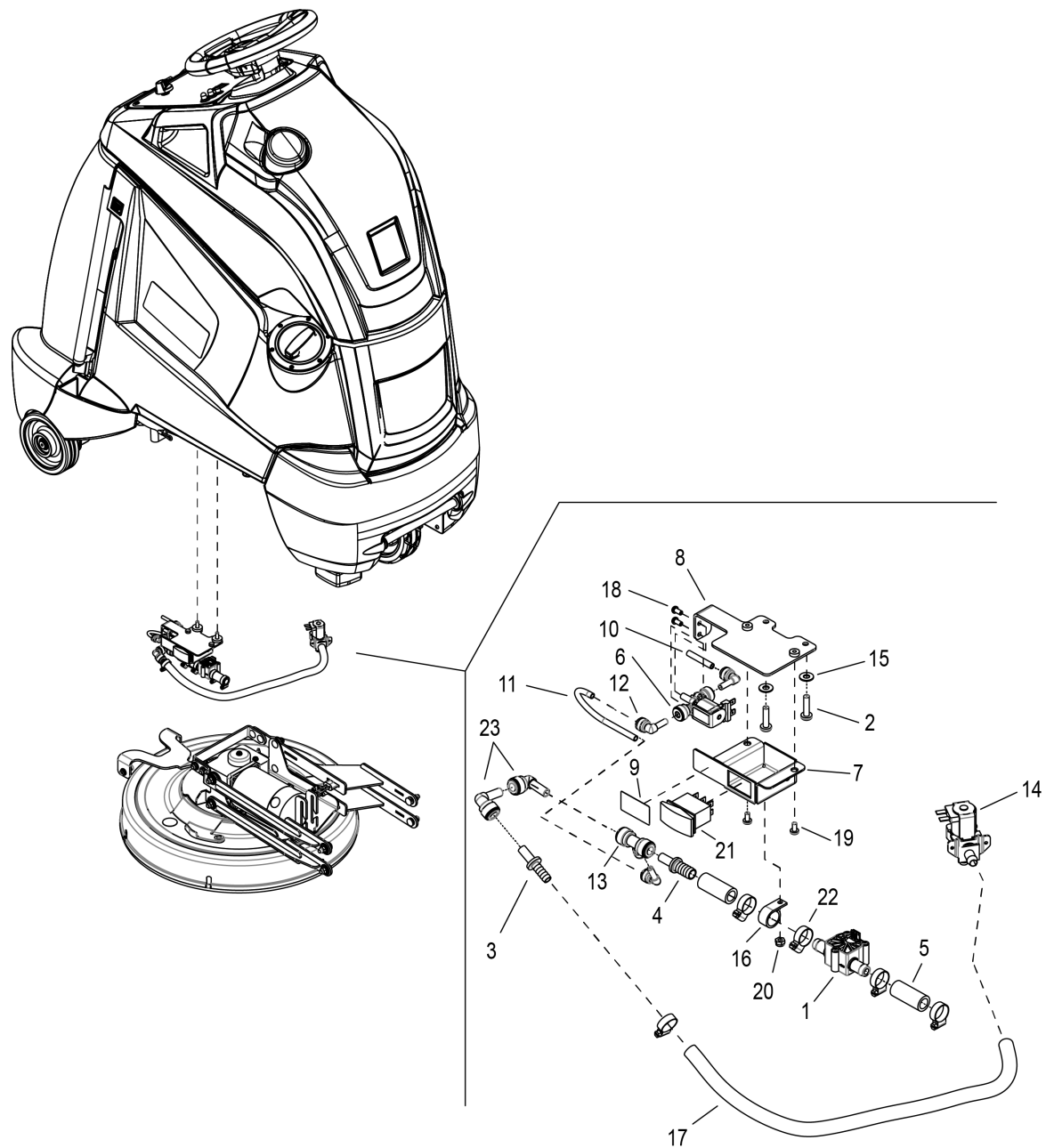
### 36 SOLUTION TANK - DELUXE

POS	Article no.	Description	Quantity	Unit	Remarks
1	8.632-631.0	FITTING, ELBOW 3/4 BSP, O-RING	1	PC	
2	8.632-662.0	HOSE, 3/4ID X .12W X 20"LG, CLR	1	PC	
3	7.303-104.0	Screw 5x16 -A2-70 (IN6RD)	1	PC	
4	8.633-094.0	Screw connector straight	1	PC	
5	5.050-732.0	Cover metering fresh water	1	PC	
6	8.632-628.0	Bracket tank	1	PC	
6	8.645-709.0	Bracket vacuum brace	1	PC	1.006-192.0
7	8.628-139.0	HOSE, 3/8ID WIRE BOUND X 12"	1	PC	
7	8.632-127.0	HOSE, 3/8 ID WIRE BOUND X 18"	1	PC	
8	8.639-938.0	TANK, SOLUTION, CSX20	1	PC	
9	8.639-417.0	Washer M8 FNDR SS DIN 9021	5	PC	
10	8.601-067.0	WASHER, 5/16 FLT SS	2	PC	
11	8.636-261.0	VALVE, 36V DC SOLENOID	1	PC	
12	8.634-604.0	VALVE, BALL 3/8MPT X 3/8BARB, 90DEG	1	PC	
13	8.600-797.0	Strainer 3/8 IN. NPT 60 MESH	1	PC	
14	8.627-518.0	SCREW, 5/16-18 X .5 STL GR5 ZNPLT	4	PC	
15	8.600-676.0	SCREW, 5/16-18 X .75 HHCS	3	PC	
16	8.600-155.0	Hose connection	1	PC	
17	8.623-311.0	CLAMP, 1.0" WORM GEAR	1	PC	
18	8.632-802.0	HOSE ASM, 1.25 ID X 14.0, 4:1	1	PC	
19	8.633-999.0	SCREW, 8-32 X 1.0 PHFLHMS SS BLKOX	1	PC	
20	8.631-416.0	COVER, FILLPORT 4"	1	PC	
21	8.627-580.0	SCREW, 8-32 X .75 PHFLHMS	5	PC	
22	8.631-762.0	FLANGE, WITH O-RING	1	PC	
23	8.631-761.0	GASKET, 5.5 ODX4.5 IDX.06W/PSA	1	PC	
24	8.623-279.0	CHAIN,ASM, #10SS BD X 8"	1	PC	
25	8.627-202.0	NUT, 8-32 HEXTHIN NYLOCK SS	1	PC	
26	8.623-315.0	CLAMP, 3/8 HOSE (D-SLOT)	1	PC	
27	8.645-706.0	Circuit breaker 60 amp	1	PC	1.006-192.0
28	8.627-512.0	SCREW, 1/4-20 X .75 PHPNHMS STL ZNPLT	2	PC	1.006-192.0
29	8.600-571.0	NUT, 1/4-20 HEXSTRW LK STL ZNPLT	2	PC	1.006-192.0



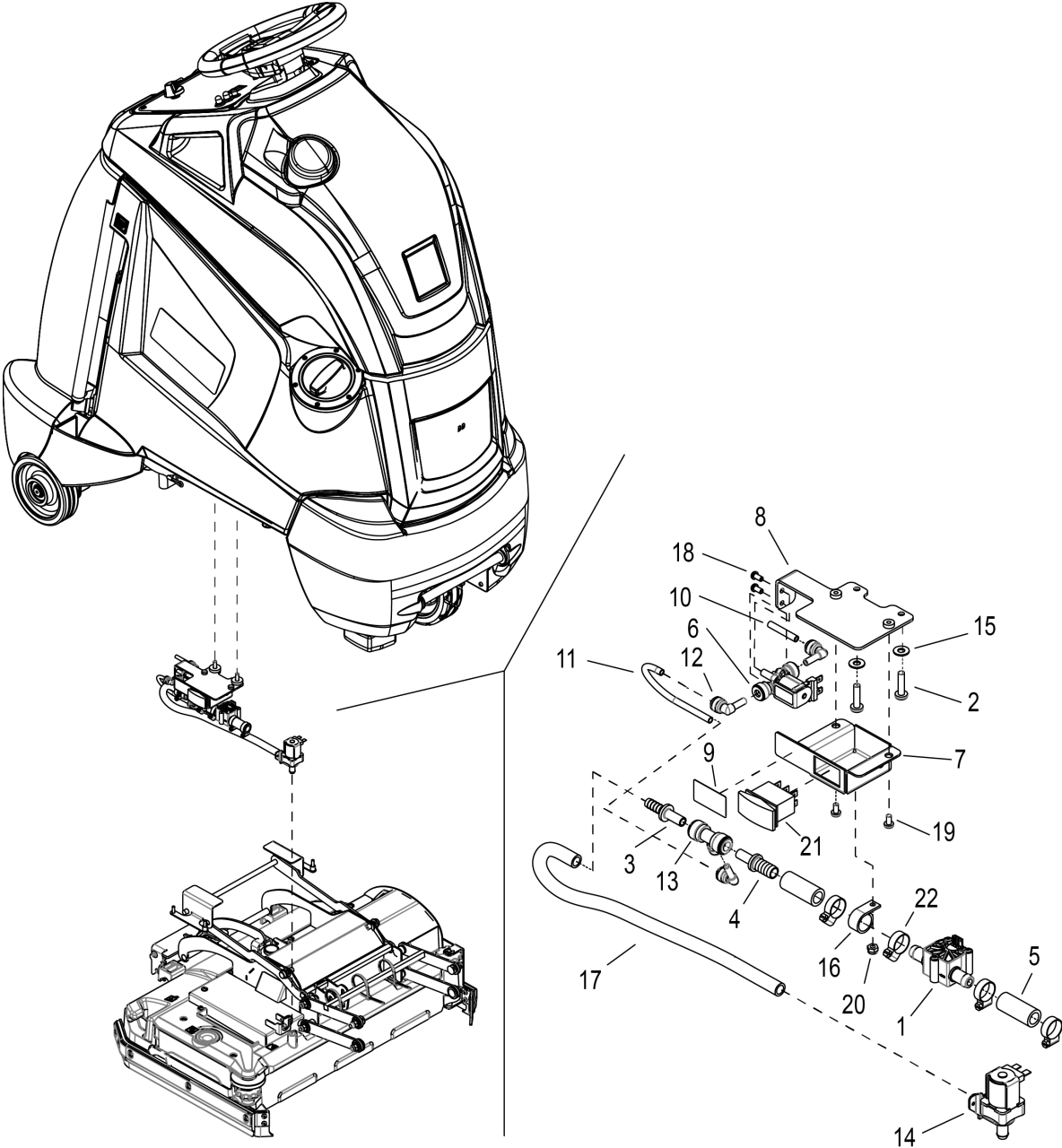
## 37 SOLUTION TANK - DELUXE, CHEM

POS	Article no.	Description	Quantity	Unit	Remarks
1	8.632-631.0	FITTING, ELBOW 3/4 BSP, O-RING	1	PC	
2	8.632-662.0	HOSE, 3/4ID X .12W X 20"LG, CLR	1	PC	
3	8.639-247.0	HOSE, 1/4" OD, RETRACTABLE, CLEAR	1	PC	
4	8.633-094.0	Screw connector straight	1	PC	
5	5.050-732.0	Cover metering fresh water	1	PC	
6	8.632-628.0	Bracket tank	1	PC	
7	8.627-580.0	SCREW, 8-32 X .75 PHFLHMS	4	PC	
8	8.639-939.0	TANK, SOLUTION, CSX20, CM	1	PC	
9	8.639-417.0	Washer M8 FNDR SS DIN 9021	5	PC	
10	8.601-067.0	WASHER, 5/16 FLT SS	2	PC	
11	8.636-261.0	VALVE, 36V DC SOLENOID	1	PC	
12	8.639-071.0	VALVE, BALL 3/8MPT X 1/2BARB, 90DEG	1	PC	
13	8.600-797.0	Strainer 3/8 IN. NPT 60 MESH	1	PC	
14	8.627-518.0	SCREW, 5/16-18 X .5 STL GR5 ZNPLT	4	PC	
15	8.600-676.0	SCREW, 5/16-18 X .75 HHCS	3	PC	
16	8.600-155.0	Hose connection	1	PC	
17	8.623-311.0	CLAMP, 1.0" WORM GEAR	1	PC	
18	8.632-802.0	HOSE ASM, 1.25 ID X 14.0, 4:1	1	PC	
19	8.639-101.0	ASM, CHEMICAL BOTTLE, CM	1	PC	
20	8.639-069.0	COUPLER, BODY, 1/4 TUBE	1	PC	
21	8.639-076.0	BULKHEAD, ELBOW, JG, 1/4TUBE	1	PC	
22	8.639-948.0	FLANGE, MTG, CHEMICAL BOTTLE, YLW	1	PC	
23	8.631-761.0	GASKET, 5.5 ODX4.5 IDX.06W/PSA	1	PC	
24	8.633-999.0	SCREW, 8-32 X 1.0 PHFLHMS SS BLKOX	2	PC	
25	8.639-063.0	BRKT, MTG, CHEMICAL BOTTLE	1	PC	
26	8.641-316.0	WASHER, 1/2 X 1 X .145 SEG SS EPDM	1	PC	



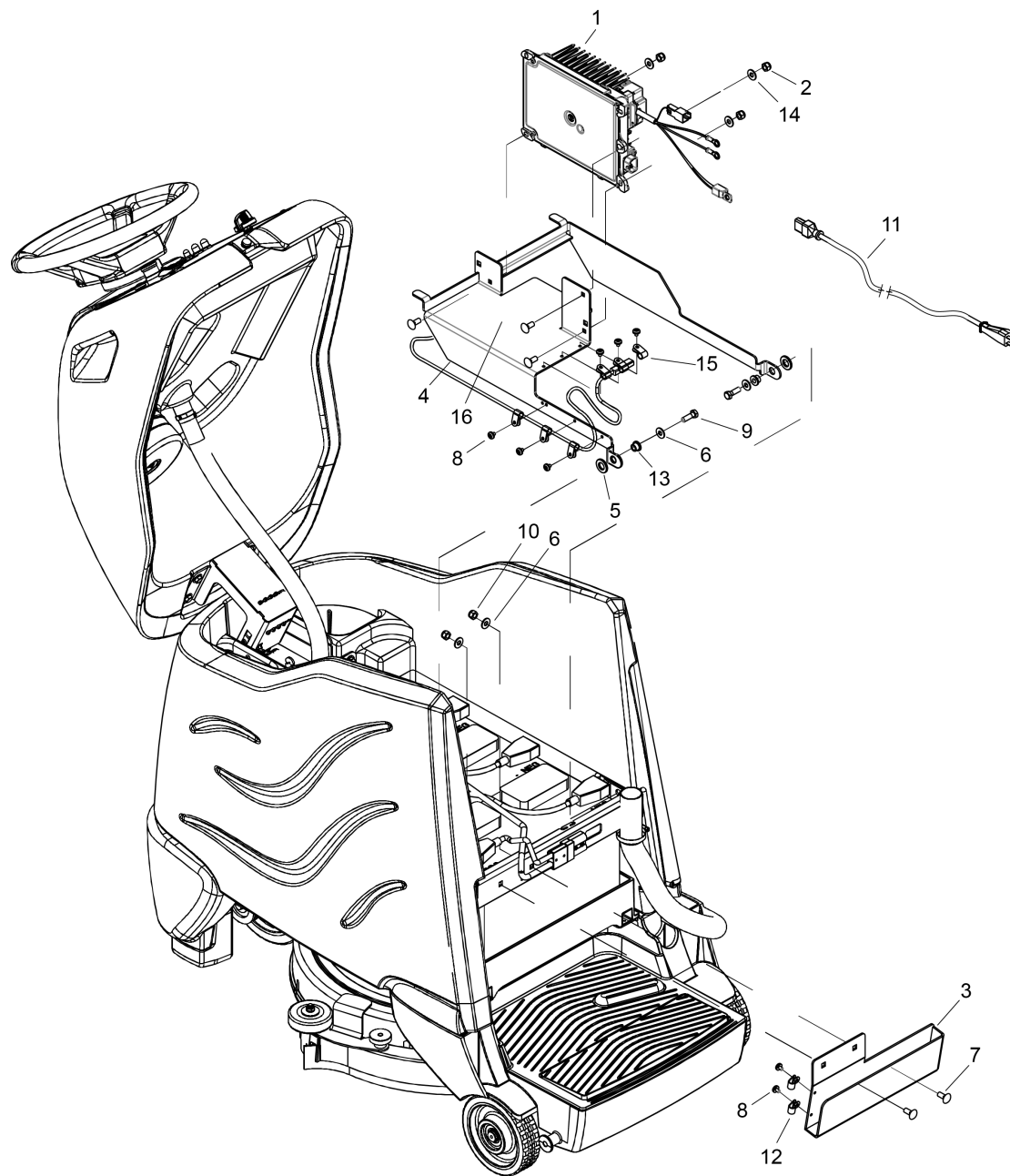
## 38 SOLUTION SYSTEM CHEM - DISK

POS	Article no.	Description	Quantity	Unit
1	6.429-038.3	Flowmetre	1	PC
2	8.600-683.0	SCREW, 10-32 X 1 PHPNHMS STL ZNPLT	2	PC
3	8.639-074.0	CONNECTOR, JG, 3/8 STEM X 3/8HB	1	PC
4	8.639-073.0	Hose connection JG 3/8 STEM X 1/2HB	1	PC
5	8.643-529.0	Hose 1/2ID WIREBOUND X 2.00"	2	PC
6	8.639-070.0	Valve 36VDC Solenoid 1/4tube	1	PC
7	8.639-061.0	Housing 3-way switch	1	PC
8	8.639-059.0	BRKT, MTG, CHEMICAL METERING	1	PC
9	8.639-679.0	Label chemical rate	1	PC
10	8.636-722.0	Tube nylon 1/4 X 21 LG	1	PC
11	8.636-721.0	Tube nylon 1/4 X 8.38	1	PC
12	8.636-715.0	Elbow JG 1/4 STEM X 1/4 TUBE	3	PC
13	8.636-714.0	Tee, reducer JG 3/8 X 3/8 X 1/4	1	PC
14	8.636-261.0	VALVE, 36V DC SOLENOID	1	PC
15	8.617-333.0	WASHER, M5 SS ISO7093	2	PC
16	8.635-499.0	CLAMP, .75 DIA, FLEX LOOP, NYLON	1	PC
17	8.639-362.0	Hose 3/8ID wirebound X 21"	1	PC
18	8.627-452.0	SCREW, 10 X .375 PHPNH HL STL ZNPLT	2	PC
19	8.627-429.0	SCREW, 10-32 X .375 PHPNHMS SS	2	PC
20	8.627-177.0	NUT, 10-24 HEX NYLOCK SS	1	PC
21	8.600-720.0	Switch DPDT3-POSITION ROCKER	1	PC
22	8.623-315.0	CLAMP, 3/8 HOSE (D-SLOT)	5	PC
23	8.636-712.0	ELBOW, JG, 3/8 STEM X 3/8 TUBE	2	PC



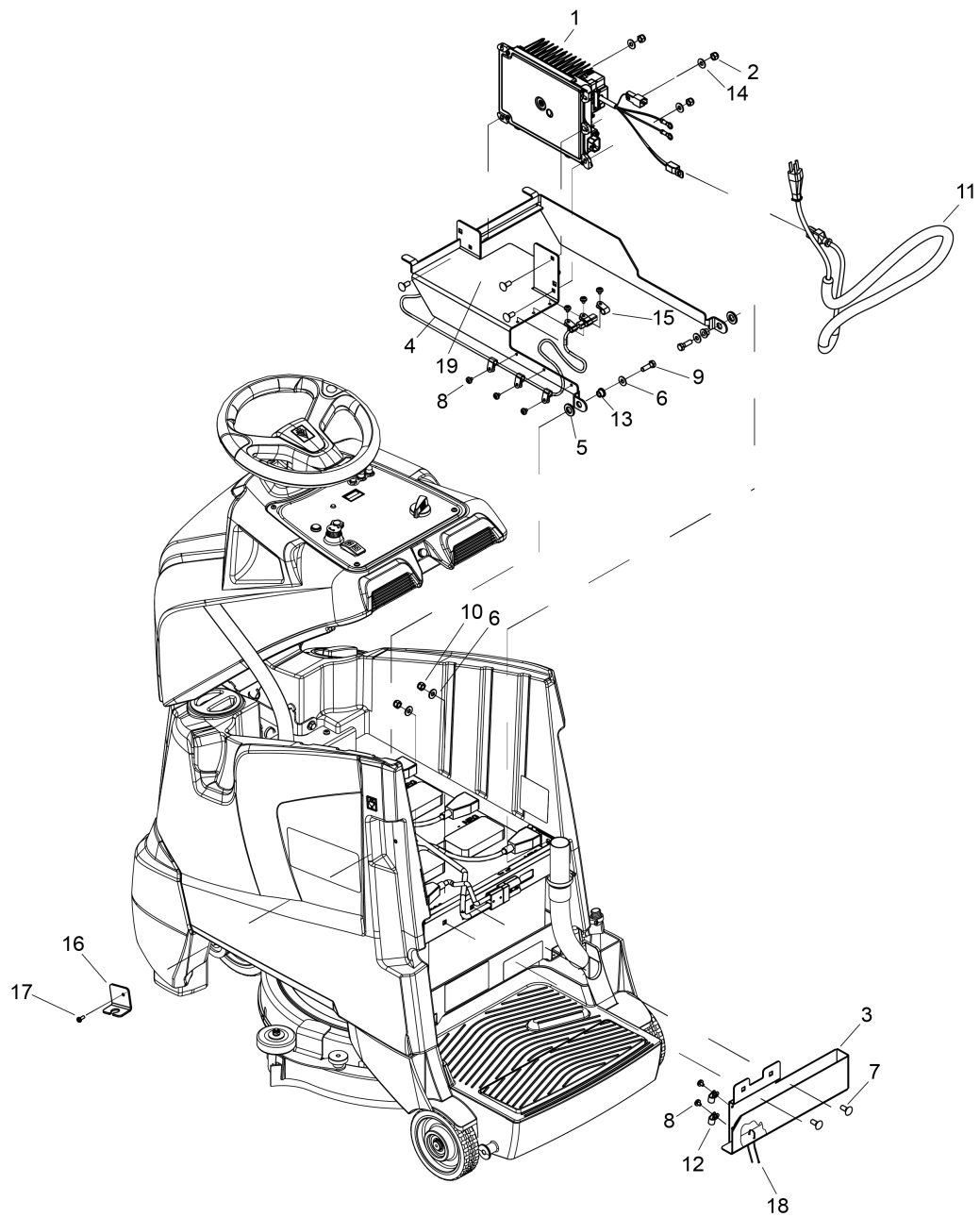
## 39 SOLUTION SYSTEM CHEM - CYLINDRICAL

POS	Article no.	Description	Quantity	Unit
1	6.429-038.3	Flowmetre	1	PC
2	8.600-683.0	SCREW, 10-32 X 1 PHPNHMS STL ZNPLT	2	PC
3	8.639-074.0	CONNECTOR, JG, 3/8 STEM X 3/8HB	1	PC
4	8.639-073.0	Hose connection JG 3/8 STEM X 1/2HB	1	PC
5	8.643-529.0	Hose 1/2ID WIREBOUND X 2.00"	2	PC
6	8.639-070.0	Valve 36VDC Solenoid 1/4tube	1	PC
7	8.639-061.0	Housing 3-way switch	1	PC
8	8.639-059.0	BRKT, MTG, CHEMICAL METERING	1	PC
9	8.639-679.0	Label chemical rate	1	PC
10	8.636-722.0	Tube nylon 1/4 X 21 LG	1	PC
11	8.636-721.0	Tube nylon 1/4 X 8.38	1	PC
12	8.636-715.0	Elbow JG 1/4 STEM X 1/4 TUBE	3	PC
13	8.636-714.0	Tee, reducer JG 3/8 X 3/8 X 1/4	1	PC
14	8.636-261.0	VALVE, 36V DC SOLENOID	1	PC
15	8.617-333.0	WASHER, M5 SS ISO7093	2	PC
16	8.635-499.0	CLAMP, .75 DIA, FLEX LOOP, NYLON	1	PC
17	8.632-127.0	HOSE, 3/8 ID WIRE BOUND X 18"	1	PC
18	8.627-452.0	SCREW, 10 X .375 PHPNH HL STL ZNPLT	2	PC
19	8.627-429.0	SCREW, 10-32 X .375 PHPNHMS SS	2	PC
20	8.627-177.0	NUT, 10-24 HEX NYLOCK SS	1	PC
21	8.600-720.0	Switch DPDT3-POSITION ROCKER	1	PC
22	8.623-315.0	CLAMP, 3/8 HOSE (D-SLOT)	5	PC



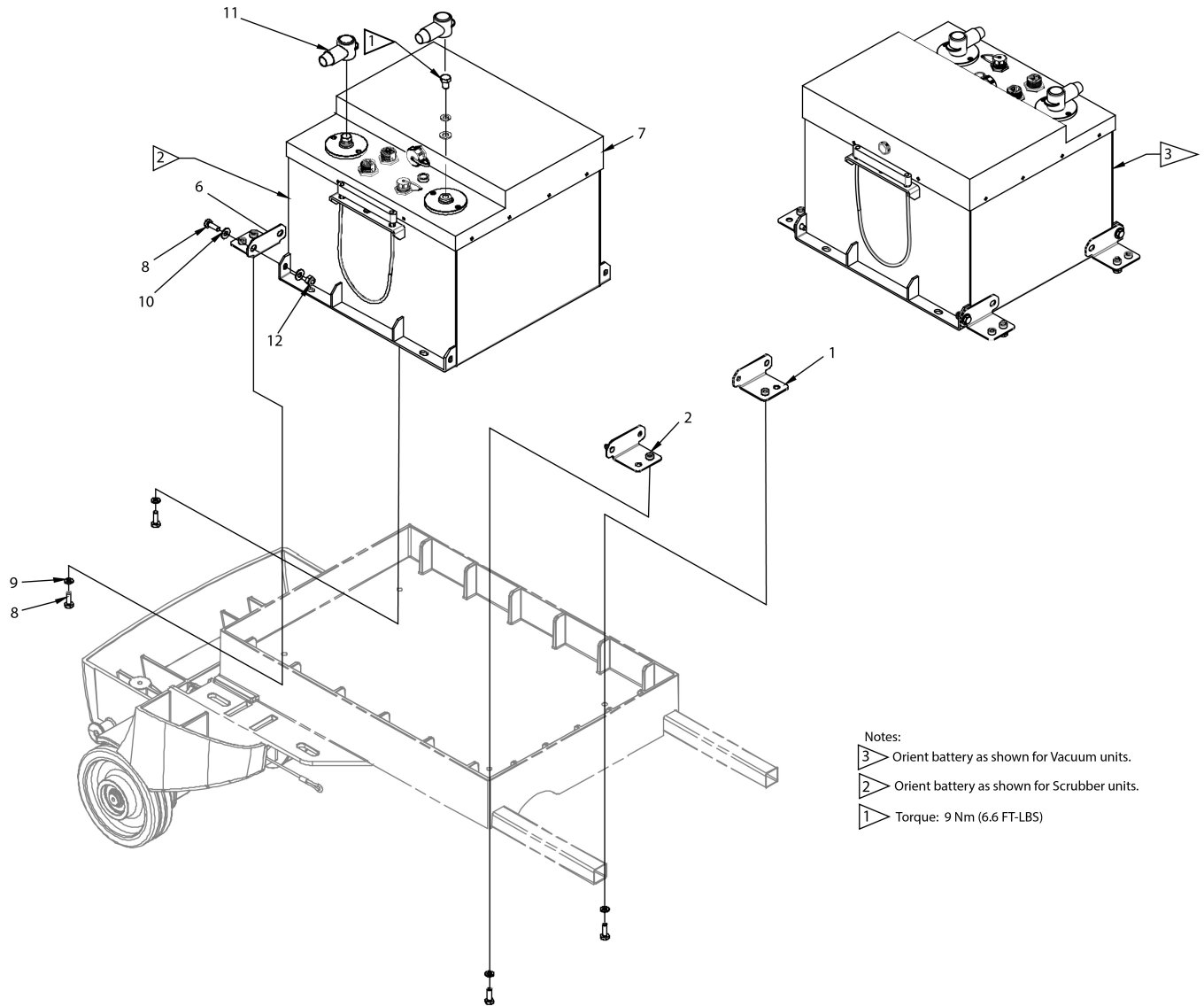
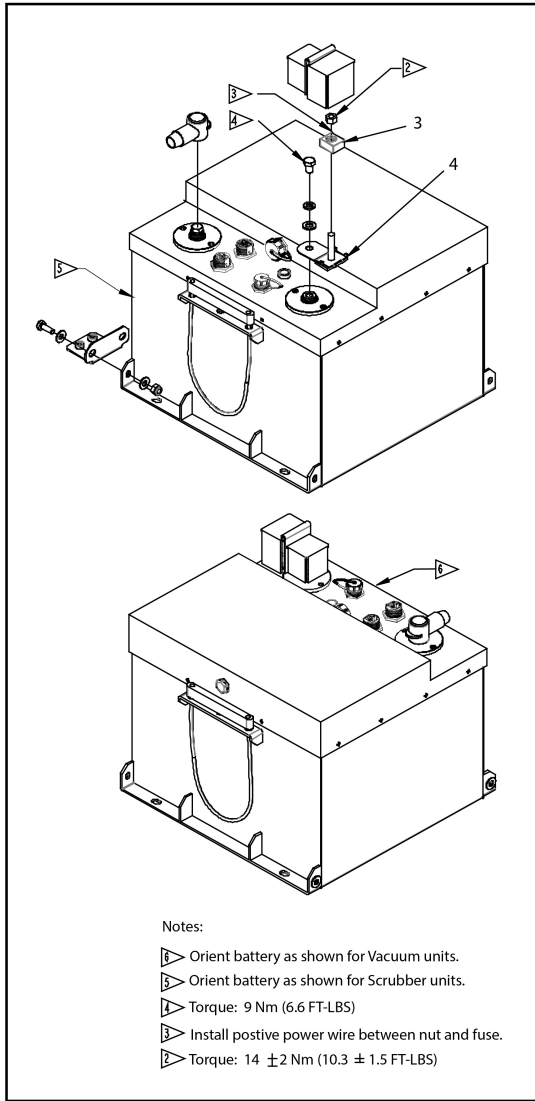
## 40 ONBOARD CHARGER - DISK

POS	Article no.	Description	Quantity	Unit	Remark
1	8.637-200.0	CHARGER, DELTA Q, ASM, 36V	1	PC	CALL MANUFACTURER FOR PART REPLACEMENT
2	8.627-187.0	NUT, 1/4-20 HEXTHIN NYLOCK SS	3	PC	
3	8.633-237.0	BRACKET, CORD STORAGE	1	PC	
4	8.632-769.0	Holder battery charger	1	PC	
5	8.625-940.0	WASHER, .51 THR	2	PC	
6	8.601-067.0	WASHER, 5/16 FLT SS	4	PC	
7	8.627-607.0	SCREW, 5/16-18 X .75 CARR SS	2	PC	
8	8.635-974.0	SCREW, 10-32 X .313 SLTDHWHTF ZN	8	PC	
9	8.600-675.0	SCREW, 5/16-18 X 1 HHCS STL GR5 ZNPLT NP	2	PC	
10	8.627-083.0	NUT, 5/16-18 HEX NYLOCK SS	2	PC	
11	8.637-332.0	CORD ASM, 16/3 SJTX12FT IEC	1	PC	
12	8.619-845.0	CLAMP, 5/16 dia NYLON	2	PC	
13	8.622-899.0	BUSHING, .314 X .502 X .375 FLG BRZ	2	PC	
14	8.601-063.0	WASHER, 1/4 SS	3	PC	
15	8.619-847.0	Clamp 9/16 DIA NYLON	6	PC	
16	8.627-696.0	SCREW, 1/4-20 X 1 CARR SS	3	PC	



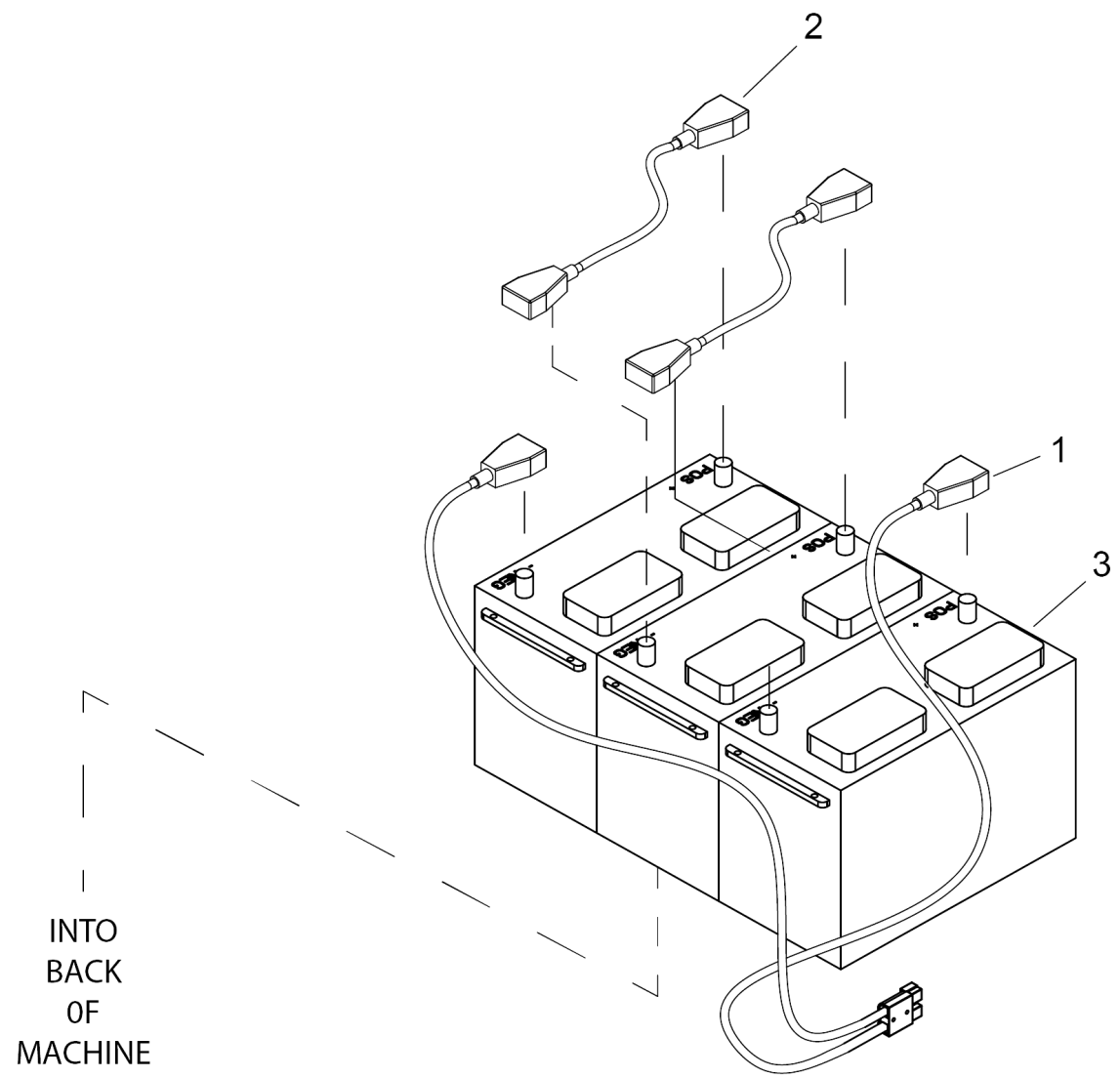
#### 41 ONBOARD CHARGER - DELUXE & CYLINDRICAL

POS	Article no.	Description	Quantity	Unit
1	8.637-200.0	CHARGER, DELTA Q, ASM, 36V	1	PC
2	8.627-187.0	NUT, 1/4-20 HEXTHIN NYLOCK SS	3	PC
3	8.634-839.0	BRACKET, CORD STORAGE DELUXE	1	PC
4	8.632-769.0	Holder battery charger	1	PC
5	8.625-940.0	WASHER, .51 THR	2	PC
6	8.601-067.0	WASHER, 5/16 FLT SS	4	PC
7	8.627-607.0	SCREW, 5/16-18 X .75 CARR SS	2	PC
8	8.635-974.0	SCREW, 10-32 X .313 SLTDHWHTF ZN	8	PC
9	8.718-621.0	SCREW, 5/16-18 X 1 HHCS SS	2	PC
10	8.627-083.0	NUT, 5/16-18 HEX NYLOCK SS	2	PC
11	8.637-333.0	CORD ASM, 16/3C SJTX12FT IEC	1	PC
12	8.619-845.0	CLAMP, 5/16 dia NYLON	2	PC
13	8.622-899.0	BUSHING, .314 X .502 X .375 FLG BRZ	2	PC
14	8.601-063.0	WASHER, 1/4 SS	3	PC
15	8.619-847.0	Clamp 9/16 DIA NYLON	6	PC
16	8.633-394.0	BRACKET, CHARGER CORD	1	PC
17	8.600-659.0	SCREW, 10-32 X .5 PHPNHMS SS NP	1	PC
18	8.626-494.0	Cable tie 11.38" UL/CSA	1	PC
19	8.627-696.0	SCREW, 1/4-20 X 1 CARR SS	3	PC



## 42 BATTERY, LITHIUM

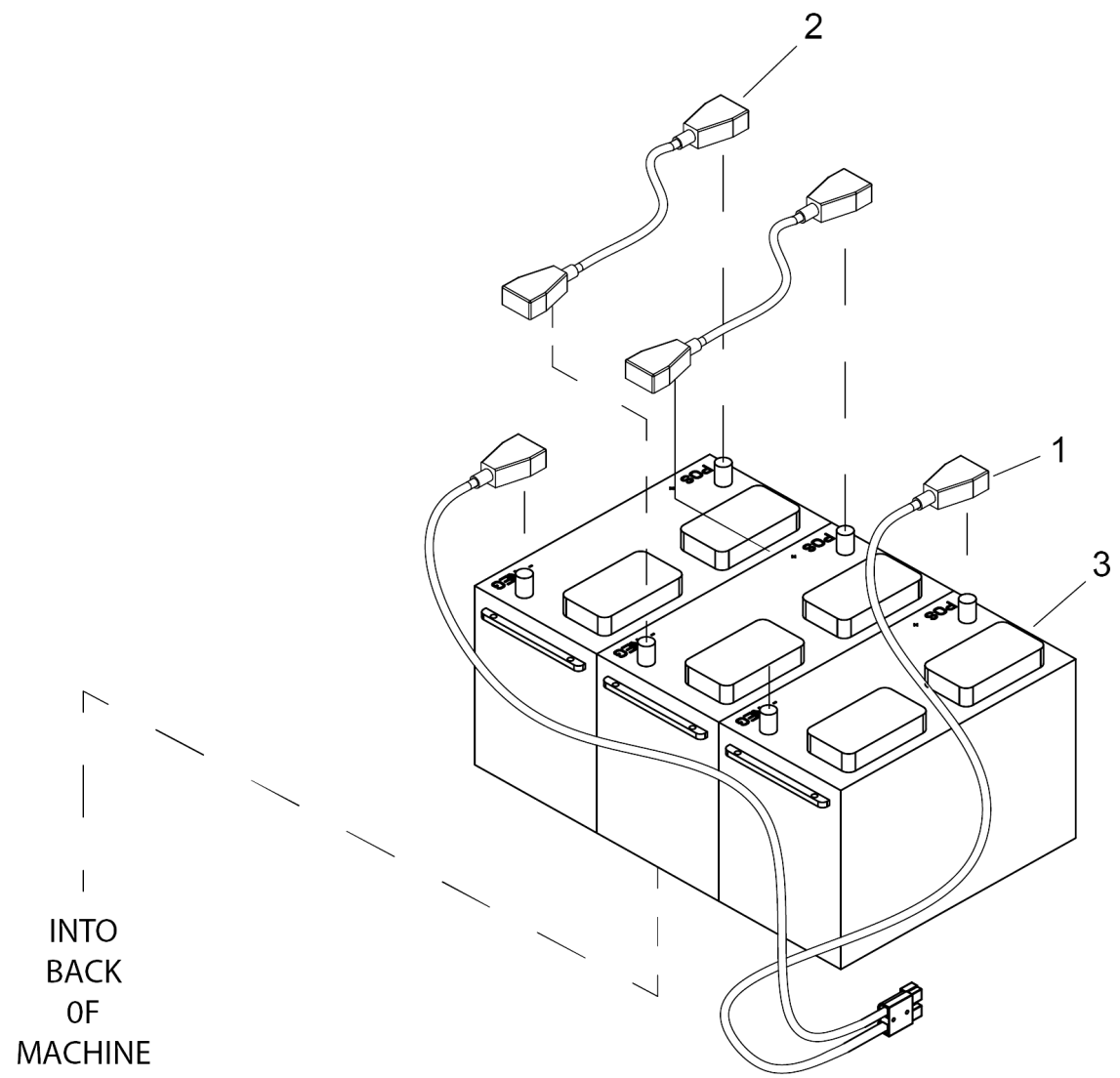
POS	Article no.	Description	Quantity	Unit	valid from	valid until	Remark
1	8.644-926.0	Bracket lithium battery front left	1	PC			
2	8.644-925.0	Bracket lithium battery front right	1	PC			
3	8.644-733.0	Fuse 50 amps	1	PC		1	
4	8.644-725.0	Fuse mount M8	1	PC		1	
5	8.644-516.0	Battery cable assembly C2 lithium	1	PC		1	Not Shown
5	8.645-726.0	Battery cable assembly C2 breaker	1	PC	1		Not Shown
6	8.644-443.0	Bracket Chariot 2 lithium	4	PC			
7	8.627-033.0	WASHER, 1/4 STL ZNPLT	8	PC			
7	8.644-432.0	Battery 36V lithium medium	1	PC			
8	8.627-378.0	SCREW, 1/4-20 X .75 HHCS SS NP	8	PC			
9	8.601-078.0	WASHER, 1/4 SPL STL ZNPLT	4	PC			
10	8.601-063.0	WASHER, 1/4 SS	4	PC			
11	8.600-892.0	BOOT, RUBBER TERM. ISOLATOR	2	PC			
12	8.600-568.0	NUT, 1/4-20 HEX NYLOCK STL GR2 ZNPLT	2	PC			



43 GRP, BATTERY ASM, CS20 (8.632-796.0)

---

POS	Article no.	Description	Quantity	Unit
1	8.632-971.0	Cable battery	1	PC
2	8.632-972.0	Cable battery	2	PC
3	8.622-840.0	BATTERY, 12V, 130AH (30XHS)	3	PC



44 GRP, BATTERY AGM ASM, CS20 (8.632-864.0)

---

<b>POS</b>	<b>Article no.</b>	<b>Description</b>	<b>Quantity</b>	<b>Unit</b>
1	8.632-971.0	Cable battery	1	PC
2	8.632-972.0	Cable battery	2	PC
3	8.632-863.0	BATTERY, 12V 114A/H AGM	3	PC

## 45 GRP, BATTERY CABLE INTL

POS	Article no.	Description	Quantity	Unit
10	8.632-971.0	Cable battery	1	PC
20	8.632-972.0	Cable battery	2	PC
30	8.633-427.0	CBL, CS20 BATT RING W/ANDERSON	1	PC
40	8.633-428.0	CBL, 6GA 5/16" RING 15"	2	PC
50	8.600-656.0	SCREW, 5/16-18 X 1 HHCS SS NP	6	PC
60	8.627-191.0	Nut 5/16-18 FLEX LK STL GRA ZNPLT	6	PC

## 50 Serial Numbers

REF. NO.	MODEL: SERIAL #
1	TBD

If you see a Ref number with an (\*#) in either the "Valid from" column or "Valid to" column in a Parts list, it is referring to the serial numbers with the corresponding Ref number in this Serial number List.

The serial number indicates the first machine the part number is applicable to. The main illustration shows the most current design of the machine. When a boxed illustration is shown, it displays the older design.