



Spare parts list

- (15331000) BR 45/40 C Ep *EU
- (15331010) BD 45/40 C Ep *EU
- (15331040) BR 45/40 C Bp *EU
- (15331050) BD 45/40 C Bp *EU
- (15331060) BR 45/40 C Bp Pack *EU
- (15331070) BD 45/40 C Bp Pack *EU
- (15331080) BR 45/40 W Bp Pack *EU
- (15331090) BD 45/40 W Bp Pack *EU
- (15331100) BR 45/40 C Bp DOSE *EU
- (15331110) BD 45/40 C Bp DOSE *EU
- (15331120) BR 45/40 C Bp Pack DOSE *EU
- (15331130) BD 45/40 C Bp Pack DOSE *EU
- (15331140) BD 45/40 W Bp *EU
- (15331150) BR 45/40 C Bp Pack *AT
- (15331160) BD 45/40 C Bp Pack *AT
- (15331170) BR 45/40 C DOSE Hofer *AT

(15331500) BR 55/40 C Ep *EU
(15331510) BD 55/40 C Ep *EU
(15331540) BR 55/40 C Bp *EU
(15331550) BD 55/40 C Bp *EU
(15331560) BR 55/40 C Bp Pack *EU
(15331570) BD 55/40 C Bp Pack *EU
(15331580) BR 55/40 W Bp Pack *EU
(15331590) BD 55/40 W Bp Pack *EU
(15331600) BR 55/40 C Bp DOSE *EU
(15331610) BD 55/40 C Bp DOSE *EU
(15331620) BR 55/40 C Bp Pack DOSE*EU
(15331630) BD 55/40 C Bp Pack DOSE*EU
(15331640) BD 55/40 W Bp *EU
(15331670) BR 55/40 C Bp Pack *AT
(15331680) BD 55/40 C Bp Pack *AT

DE HINWEISE

Weitere Sprachen:

Diese Ersatzteilliste ist in weiteren Sprachen erhältlich. Sie erhalten diese unter www.kaercher.com im Bereich Service.

Die Schreibweise der Teilenummer, z.B. 75456380, entspricht der Teilenummer 7.545-638.0.

Mengenangaben:

Die Mengenangaben in der Ersatzteilliste entsprechen den in der Baugruppe verbauten Stückzahlen der Bauteile.

Meterware:

Ersatzteile welche als Meterware geliefert werden sind auf Einbaulänge selbst zu kürzen. Die Stückzahlen sind als Mindestbestellmenge =1m angegeben und müssen je nach Bedarf auf weitere volle Meterzahlen erhöht werden.

Versionen/ Werknummern:

Sind Versionen oder Werknummern in der Ersatzteilliste angegeben, ist anhand dieser vor Bestellung zu prüfen, welches Bauteil für ihr Gerät verwendet werden muss.

Lackierte Teile:

Bei Bestellungen von lackierten Teilen welche in der Ersatzteilliste nicht in verschiedenen Farben ausgewiesen sind, ist zusätzlich die Farbnummer oder Farbe mit anzugeben.

Technische Änderungen:

Technische Änderungen sowie das Recht der ausschließlichen Auswertung unseres geistigen Eigentums behalten wir uns vor.

EN INSTRUCTIONS

Other languages:

This list of spare parts is also available in other languages. You can get this list from www.kaercher.com in the Service division.

The designation of the part number e.g. 75456380 is equal to 7.545-638.0.

Quantity details:

The quantity details in the spare parts list correspond to the number of pieces of the component installed in the assembly group.

Piece goods:

Spare parts that are sold as piece goods are to be cut to the desired length. The quantities have been indicated as minimum order quantity =1m and must be rounded off to the full meter figure depending on your requirements.

Version/ Plant numbers:

If version or plant numbers are mentioned in the spare parts list, then use the same to check before ordering which spare part needs to be used for your appliance.

Painted parts:

While ordering painted parts that are not mentioned in the spare parts list in their colour variations, please mention the colour number or the colour you require.

Technical changes:

We reserve the right to make technical changes as well as the right to exclusive use of our intellectual property.

FR REMARQUES

Autres langues:

Cette liste de pièces de rechange est disponible en autres langues. Cela est disponible sous www.kaercher.com dans le menu Service.

La désignation du numéro de pièce, par ex. 75456380, correspond au numéro de pièce 7.545-638.0.

Indications de quantité:

Les indications de quantité dans la liste de pièces de rechange correspondre aux nombres de pièces des composants utilisées dans la construction.

Matériel au mètre:

Les pièces de rechange qui sont livrées au mètre doivent être raccourcies à longueur souhaitée par l'acheteur même. Les nombres des pièces sont indiquées en quantité de commande minimale = 1m et doivent être augmentés selon le besoin à une chiffre de mètre complète.

Versions/ Numéros d'usine:

Lorsqu'il sont indiquées des versions ou des numéros d'usine dans la liste de pièces de rechange, vous devez vérifier que composant doit être utilisé pour votre appareil.

Pièces laquées:

Pour commander des pièces laquées, où les différentes couleurs ne sont pas indiquées dans la liste des pièces de rechange, vous devez indiquer en plus le numéro de la couleur ou seulement la couleur.

Modifications techniques:

Nous nous réservons la possibilité des modifications techniques ainsi le droit d'exploitation exclusive de notre propriété intellectuelle.

IT AVVERTENZE

Altre lingue:

Il presente elenco di parti di ricambio è disponibile sul nostro sito Web anche in altre lingue: sotto www.kaercher.com alla voce "Service".

L'indicazione del codice pezzo, ad es. 75456380, corrisponde al codice pezzo 7.545-638.0

Indicazioni di quantità:

Le indicazioni di quantità riportate dall'elenco "parti di ricambio" corrispondono al numero delle singole componenti contenute nella rispettiva unità.

Merce a metro:

Le parti di ricambio fornite come "merce a metro" devono venire in seguito accorciate alla lunghezza necessaria per il montaggio. La quantità unitaria è indicata come "quantità minima di ordinazione = 1m" e deve all'occorrenza venire moltiplicata per il numero intero di metri necessari.

Versioni / Numeri di fabbricazione:

Quando l'elenco "parti di ricambio" riporta diverse versioni o numeri di fabbricazione, confrontare la versione o il numero di fabbricazione del ricambio desiderato con quelle/i presenti nell'elenco e indicarla/o al momento dell'ordinazione.

Parti di ricambio verniciate:

Nel caso di ricambi verniciati, se l'elenco parti di ricambio non ne riporta espressamente i diversi colori, al momento dell'ordinazione è necessario indicare anche il colore o il numero del colore desiderato.

Modifiche tecniche:

Ci riserviamo il diritto di apportare modifiche tecniche così come il diritto di utilizzo esclusivo della nostra proprietà intellettuale.

ES INDICACIONES

Otros idiomas:

La lista de piezas de repuesto se puede adquirir en otros idiomas. La puede adquirir en www.kaercher.com en el área de servicios.

La notación de los números de las piezas, p.ej. 75456380 corresponde al número de pieza 7.545-638.0.

Cantidades:

Las indicaciones de cantidades de la lista de piezas de repuesto corresponden al número de piezas montadas en el componente.

Mercancía por metros:

Las piezas de repuesto que se suministran por metros se pueden cortar al largo deseado. La unidad mínima de pedido es de = 1 m y el número de metros completos se puede aumentar según necesidad.

Versiones/números de fábrica:

Si se indica la versión o número de fábrica en la lista de piezas de repuesto, se debe comprobar en ella la pieza a usar para su aparato antes de realizar el pedido.

Piezas lacadas:

Al realizar pedidos de piezas lacadas que no estén indicadas en los diferentes colores en la lista de piezas de repuesto, se debe indicar también la referencia del color o el color.

Modificaciones técnicas:

Reservados los derechos de realizar modificaciones técnicas y aprovechar nuestra propiedad intelectual.

PL WSKAZÓWKI

Pozostałe języki:

Ta lista części zamiennych jest dostępna w także w innych językach. Mogą ją Państwo pobrać ze strony www.kaercher.com w dziale Serwis.

Sposób zapisywania numeru części, np. 75456380, odpowiada numerowi części 7.545-638.0.

Dane ilości:

Dane ilości podane w liście części zamiennych odpowiadają liczbie sztuk podzespołów tworzących dany moduł.

Towar sprzedawany na metry:

Części zamienne dostarczane jako towar sprzedawany na metry po zamontowaniu należy samodzielnie skrócić do potrzebnej długości. Liczba sztuk podana jest jako minimalna ilość zamówienia = 1m i w zależności od potrzeb zwiększa się ją o kolejne pełne metry.

Wersje/ Numer zakładu:

Jeżeli w liście części zamiennych podane są wersje lub numery zakładu, przed zamówieniem na ich podstawie należy sprawdzić, który podzespół stosuje się w Państwa urządzeniu.

Części lakierowane:

W przypadku zamówień części lakierowanych, które w liście części zamiennych nie podano w wielu kolorach, należy dodatkowo zaznaczyć nr koloru lub kolor.

Zmiany techniczne:

Zastrzegamy sobie prawo do zmian technicznych oraz wyłącznego wykorzystywania naszej własności intelektualnej.

RU УКАЗАНИЯ:

Другие языки:

Данный список запасных частей также доступен на других языках. Вы найдете его на сайте www.kaercher.com в разделе Service
Маркировка номера детали, например, 75456380, соответствует номеру детали 7.545-638.0.

Указание количества:

Количественные данные в списке запасных частей соответствуют числу компонентов, входящих в состав узлов.

Товар, продаваемый на метры:

Запасные части, продающиеся на метры, необходимо обрезать до нужной длины. Число изделий указано в виде минимального объема заказа = 1м и их количество можно округлить до требуемого по мере необходимости.

Варианты исполнения/заводские номера:

Если варианты исполнения или заводские номера указаны в списке запасных частей, то перед заказом необходимо проверить, какая деталь подходит для вашего устройства.

Лакированные детали:

При заказе лакированных деталей, варианты расцветки которых не указаны в списке запасных частей, необходимо дополнительно указать номер цвета или необходимый для вас цвет.

Технические изменения:

Мы оставляем за собой право на технические изменения, а также право на исключительное использование нашей интеллектуальной собственности.

CONTENT LIST

1.0 Tank

- 1.1 Tank
- 1.2 Individual parts

2.0 Frame

- 2.1 Frame
- 2.2 Frame
 - 1.533-108/ -109/ 114/ -158/ -159/ -164.0

3.0 Individual parts

4.0 Electricics

- 4.1 Control system
 - 1.533-100/ -101/ -150/ -151.0
- 4.2 Electric equipment
 - 1.533-100/ -101/ -150/ -151.0
- 4.3 Electricics

5.0 Brush-head BR

- 5.1 Transmission BR 45-55/40
 - 1.533-100/-104/-106/-110/-112/-150/-154/-156/-160/-162/167.0
- 5.2 Individual parts BR 45/40
- 5.3 Transmission BR 45-55/40
 - 1.533-108.0 /-158.0
- 5.4 Individual parts BR 55/40
 - 1.533-150.0/-154.0/-156.0/-158.0/-160.0/-162/-167.0

6.0 Brush-head BD

- 6.1 Transmission BD
- 6.2 Individual parts BD

7.0 Suction bar

- 7.1 Suction bar
 - VERSION 1
- 7.2 SUCTION PART
 - VERSION 2
- 7.3 Suction beam retraction
 - VERSION 1
- 7.4 Suction beam retraction
 - VERSION 2

8.0 Roll pad

9.0 Metering

- 9.1 RM metering
 - VERSION 1
- 9.2 RM metering
 - VERSION 2

10.0 Service module

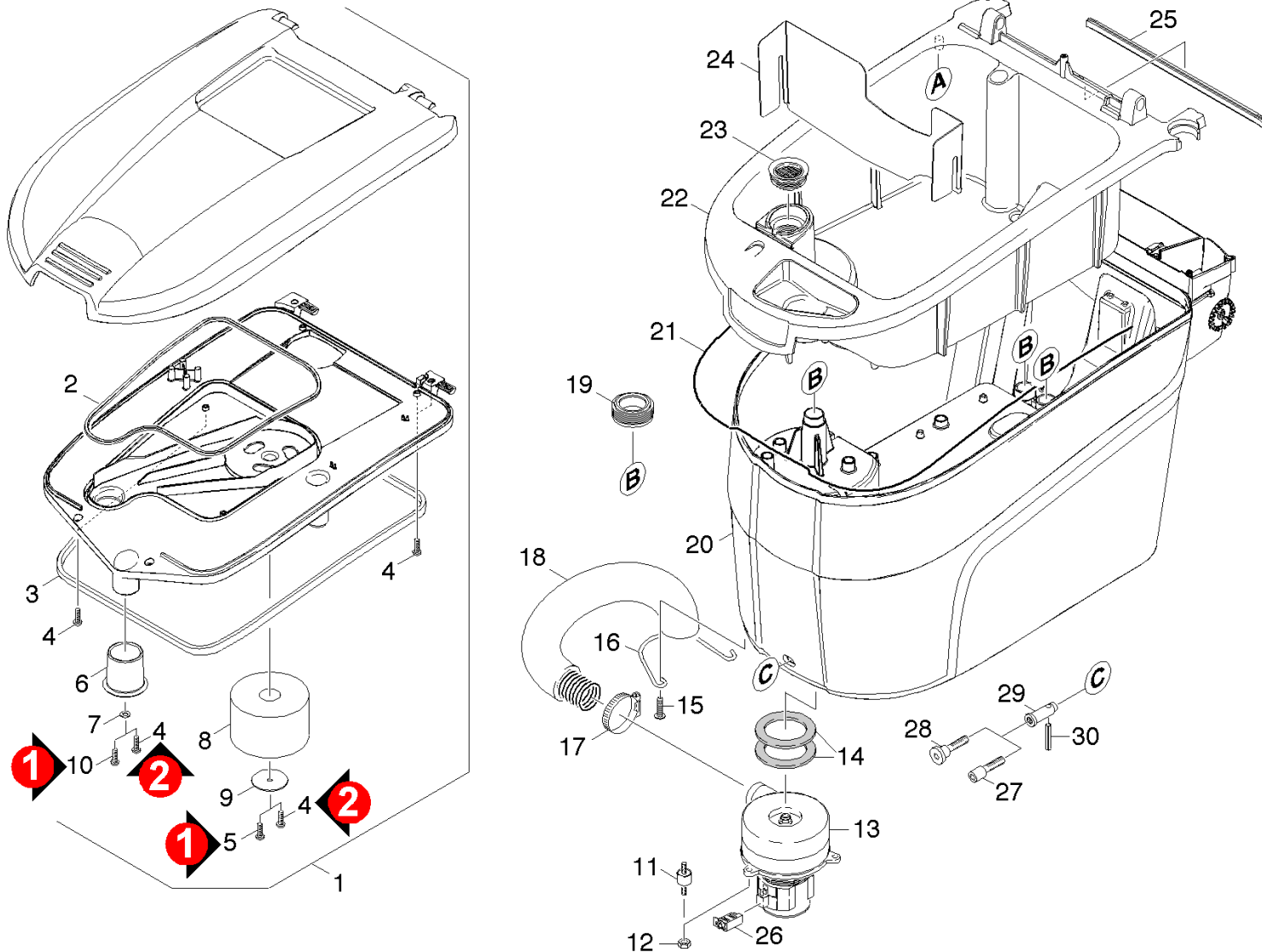
1.0 Tank

1.1 Tank

1.2 Individual parts



1.1 Tank



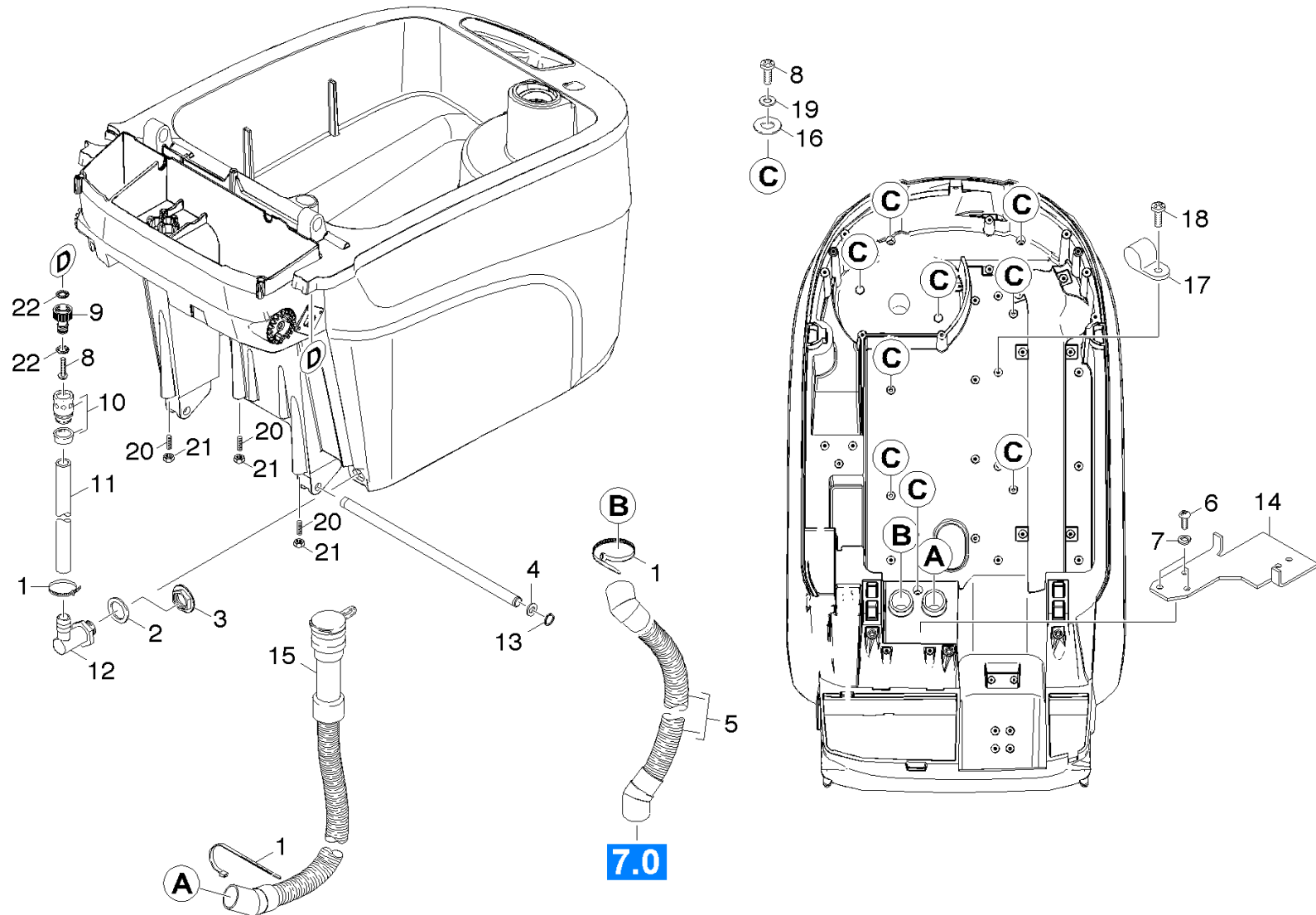
1.1 Tank

POS	DESCRIPTION ADDITIONAL INFORMATIONS	PART NO	QTY.	FROM SER.NR.	UP TO SER. NR.
1	Cover complete	30710370	1		
2	Seal string cellular rubber TO ORDER AS CUT GOODS	62731960	1		
3	Sealing profile TO ORDER AS CUT GOODS	63660430	1		
4	Screw 6x25 -10.9-A2R (In6Rd)	73031130	12		
5	Screw 5x16 -10.9-P2R (K-In6Rd)	73031070	1		
6	Form seal BR BD	53636860	1		
7	Washer 6-A2 ISO 7094	73122660	1		
8	Float	55850460	1		
9	Washer	51157540	1		
10	Screw 5x20 -A2-70 (In6Rd)	73032120	1		
11	Rubber buffer 2xM6-D20 H15	63390210	3		
12	Hexagon nut M 6-8-A2E EN 1661	73115410	3		
13	Vacuum motor 24V 420W	64900000	1		
13	VACUUM MOTOR //1.533-100/ -101/ -150/ -151.0	64901350	1		
14	Joint ring	53635740	2		
15	Screw 5x20 -10.9-R2R (In6Rd)	73031080	2		
16	Holder hose turbine	50178530	1		
17	Hose clip	63887130	1		
18	SUCTION TUBE	63889490	1		
19	Joint ring FW-SW	53636470	3		
20	Tank fresh water	50711690	1		
21	Seal cellular rubber /sealing soft tube TO ORDER AS CUT GOODS	62731040	1		
22	Tank waste water	50711680	1		
23	Joint ring fluffing strainer	55152660	1		
24	Splash plate BR/BD 45-55/40 ACCESSORIES	50578970	1		
25	Sealing tape cellularrubber 9x4 TO ORDER AS CUT GOODS	62730580	1		

1.1 Tank

POS	DESCRIPTION ADDITIONAL INFORMATIONS	PART NO	QTY.	FROM SER.NR.	UP TO SER. NR.
26	Carbon brush set	64902300	1		
26	CARBON BRUSH SET //1.533-100/ -101/ -150/ -151.0	66102210	1		
27	Shaped screw BR-Version BR	53052980	1		
28	Shaped screw BD-Version BD	53052990	1		
29	Sleeve tank closure	55170060	1		
30	Spring pin 5x40 -A ISO 8752	73140390	1		

1.2 Individual parts



1.2 Individual parts

POS	DESCRIPTION ADDITIONAL INFORMATIONS	PART NO	QTY.	FROM SER.NR.	UP TO SER. NR.
1	Cable tape 8-210	66414740	3		
2	Seal D34	55152530	1		
3	Sleeve discharge tank	51310660	1		
4	WASHER	51152380	2		
5	Suction hose	63914740	1		
6	Screw 5x30 -10.9-A2R (In6Rd)	73032100	3		
7	Spring washer B 5-FSt-A3E DIN 127	73130020	3		
8	Screw 6 x 35-ST-10.9-A2R (IN6RD)	73031140	10		
9	Connection 3/4"	63898700	1		
10	Hose coupling	63884820	1		
11	Hose silicon	63914730	1		
12	Angle bushing G1-2	63951630	1		
13	Locking ring 15x1-FST-RF DIN 471	73430150	2		
14	Plate plug SB 80 //1.533-104/ -105/ -110/ -111/ -114/-154/ -155/ -160/ -161/ -164.0	50579330	1		
15	Drain hose	63914720	1		
16	Joint ring D14	53636480	9		
17	Pipe clamp D 6	63733430	4		
18	Screw 5x16 -10.9-P2R (K-In6Rd)	73031070	4		
19	Serrated lock washer A6,4-FSt-A3E DIN 6	73122320	9		
20	Threaded pin M6x35 -St-45H-A2E ISO 4026	73074180	3		
21	Hexagon nut M6 -11,5	53101510	3		
22	Toothed lock washer A6,4-FSt-A3E DIN 67	73121670	2		

2.0 Frame

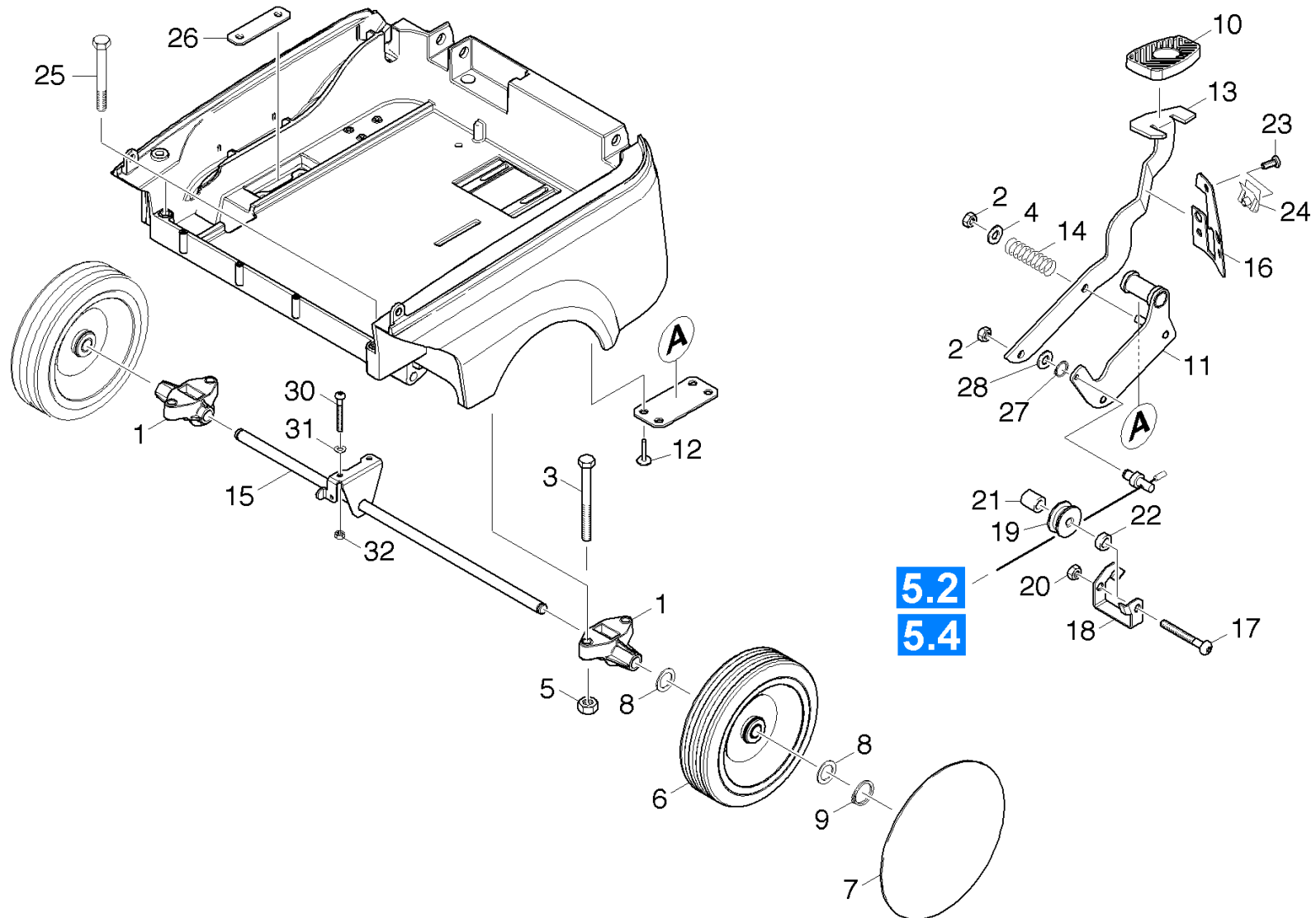
2.1 Frame

2.2 Frame

1.533-108/ -109/ 114/ -158/ -159/ -164.0



2.1 Frame

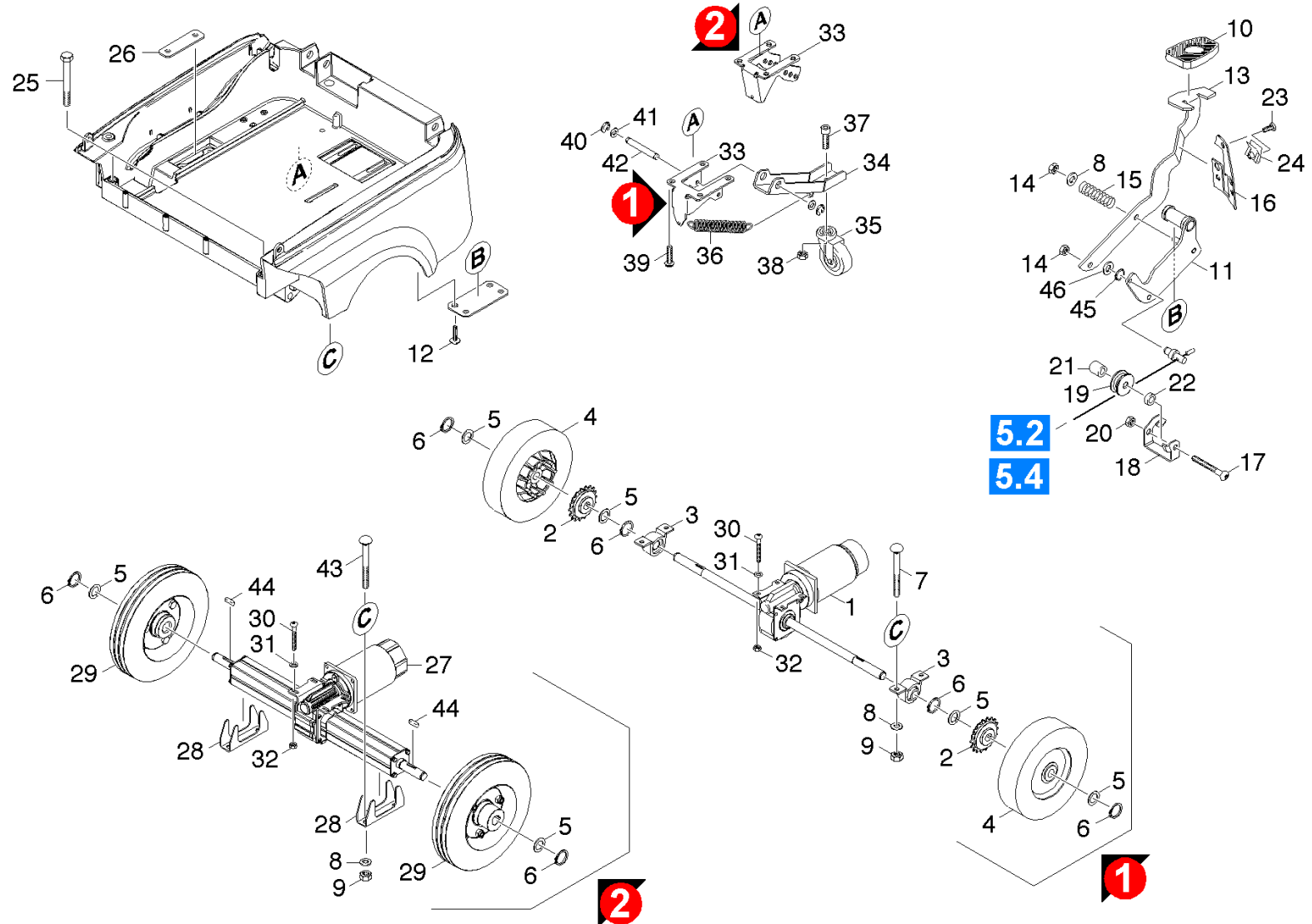


2.1 Frame

POS	DESCRIPTION ADDITIONAL INFORMATIONS	PART NO	QTY.	FROM SER.NR.	UP TO SER. NR.
1	Holder axle	50347510	2		
2	Hexagon nut M 8-8-A2E ISO 7040	73115100	2		
3	Saucer-head screw M8x100 -8.8-A2E DIN 6	73032460	4		
4	Washer 8 -A2 ISO 7093-1	73122890	1		
5	Hexagon nut M8 -04-A2E ISO 10511	73114270	4		
6	Wheel D200	64353560	2		
7	Wheel cab neutrally	64353010	2		
8	Washer	51156080	4		
9	Locking ring 15x1-FST-RF DIN 471	73430150	2		
10	Coating pedal	63210460	1		
11	Pedal feed roll	44812360	1		
12	Screw 6 x 35-ST-10.9-A2R (IN6RD)	73031140	4		
13	Plate pedal	50531680	1		
14	HELICAL SPRING	53323580	1		
15	Axle carriage	40440720	1		
16	Plate notch pedal	50088910	1		
17	Screw M 6x55-A2-70 (IN6RD)	73062010	1		
18	Sheet metal component bearing roller	50578240	1		
19	Deflection pulley	53171760	1		
20	Hexagon nut M 6-A2-70 ISO 7040	73110220	1		
21	BUSH	51124910	1		
22	Bush	51124480	1		
23	Screw M 5x 12-A2-70 (In6Rd)	73061810	3		
24	SHEET METAL NUT	63100510	1		
25	Hexagonal head screw M 8X100-A4-70 ISO	73040330	2		
26	Plate bearing shaft	50088920	2		
27	Locking ring 6x0,7 -St-ph DIN 471	73430340	1		
28	Washer 6 -A2 ISO 7090	73120260	1		
30	Screw M6x60 -8.8-R3R (In6Rd)	73061380	2		
31	Washer 6 -200HV-A2E ISO7093-1	73122760	2		
32	Hexagon nut M 6-8-A2E ISO 7040	73115120	2		

2.2 Frame

1.533-108/ -109/ 114/ -158/ -159/ -164.0



2.2 Frame

1.533-108/ -109/ 114/ -158/ -159/ -164.0

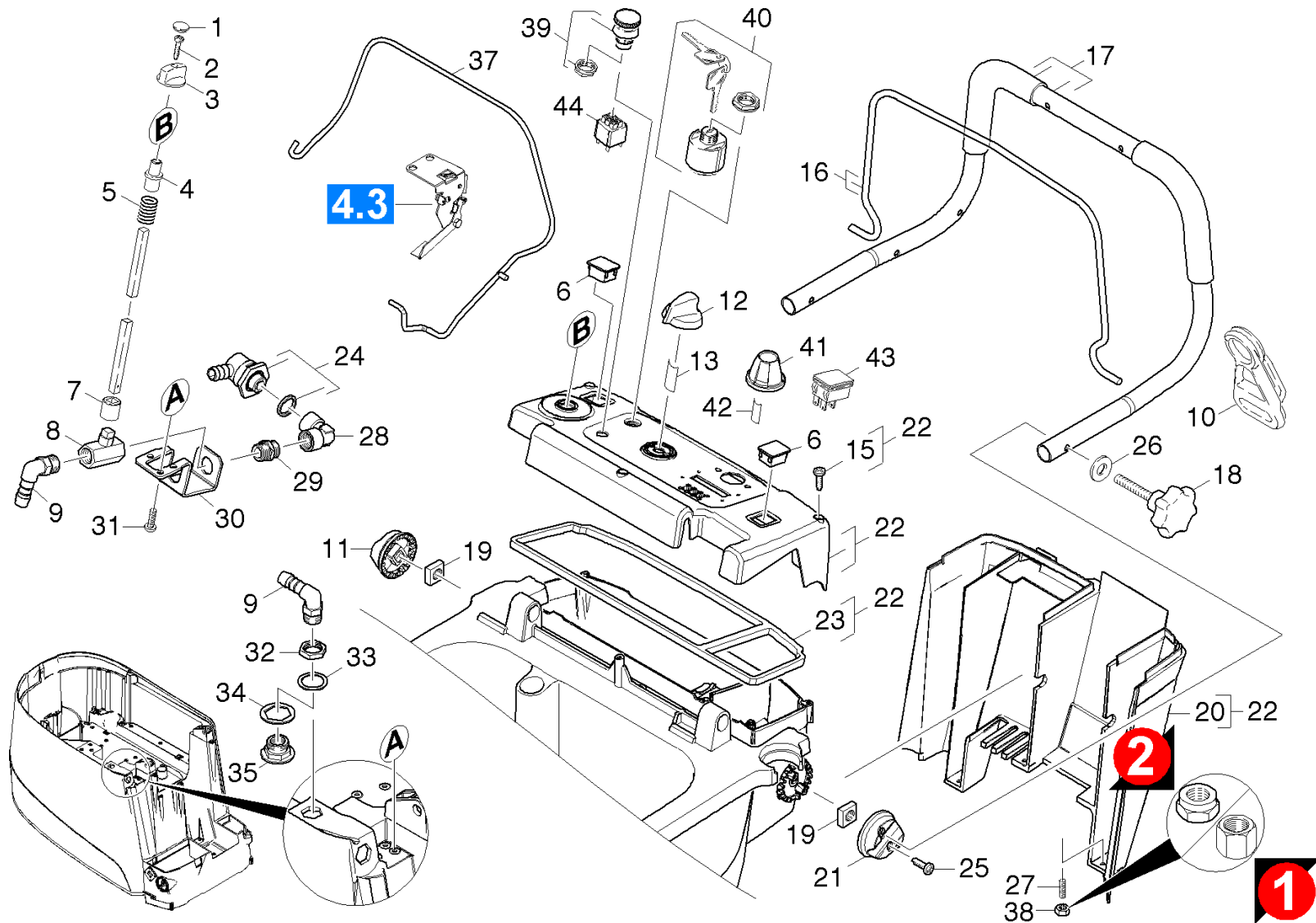
POS	DESCRIPTION ADDITIONAL INFORMATIONS	PART NO	QTY.	FROM SER.NR.	UP TO SER. NR.
1	Wheel drive motor BR-BD 45-55 /40	66131050	1		
2	Sprag clutch BR-BD 55-45/40	64014040	2		
3	PEDESTAL BEARING D17	64013080	2		
4	Wheel	64357360	2		
5	Washer	51153730	4		
	QUANTITY ACCORDING TO DEMAND				
6	Locking ring 17x1-FST-RF DIN 471	73430290	4		
	QUANTITY ACCORDING TO DEMAND				
7	Saucer-head screw M8x140 -8.8-A2E DIN 6	73032470	4		
8	Washer 8 -A2 ISO 7093-1	73122890	1		
9	Hexagon nut M8 -04-A2E ISO 10511	73114270	4		
10	Coating pedal	63210460	1		
11	Pedal feed roll	44812360	1		
12	Screw 6 x 35-ST-10.9-A2R (IN6RD)	73031140	4		
13	Plate pedal	50531680	1		
14	Hexagon nut M 8-8-A2E ISO 7040	73115100	2		
15	HELICAL SPRING	53323580	1		
16	Plate notch pedal	50088910	1		
17	Screw M 6x55-A2-70 (IN6RD)	73062010	1		
18	Sheet metal component bearing roller	50578240	1		
19	Deflection pulley	53171760	1		
20	Hexagon nut M 6-A2-70 ISO 7040	73110220	1		
21	BUSH	51124910	1		
22	Bush	51124480	1		
23	Screw M 5x 12-A2-70 (In6Rd)	73061810	3		
24	SHEET METAL NUT	63100510	1		
25	Hexagonal head screw M 8X100-A4-70 ISO	73040330	2		
26	Plate bearing shaft	50088920	2		
27	Traction motor	66131140	1		
28	Bearing plate gear differential	50095940	2		
29	Wheel transmission	64357760	2		
30	Screw M6x60 -8.8-R3R (In6Rd)	73061380	4		

2.2 Frame

1.533-108/ -109/ 114/ -158/ -159/ -164.0

POS	DESCRIPTION ADDITIONAL INFORMATIONS	PART NO	QTY.	FROM SER.NR.	UP TO SER. NR.
31	Washer 6 -200HV-A2E ISO7093-1	73122760	4		
32	Hexagon nut M 6-8-A2E ISO 7040	73115120	4		
33	Plate holder support wheel VERSION 1	50090130	1		
33	Plate holder support wheel VERSION 2	50097810	1		
34	Plate support wheel	50090120	1		
35	CASTOR	64351110	1		
36	Extension spring	63304030	1		
37	Cylinder head screw M10x25 -A4-70 ISO 4	73062430	1		
38	Hexagon nut M10-A2-70 ISO 7040	73115240	1		
39	Screw 6x25 -10.9-A2R (In6Rd)	73031130	4		
40	Lock washer 10-FST-A2E DIN 6799	73430470	2		
41	Washer 12-A2 ISO 7090	73120540	2		
42	Bolt	53170840	1		
43	Saucer-head screw M8x140 -A2 DIN 603	73032390	4		
44	Parallel key A 5x5x25-C45R DIN 6885	73180790	2		
45	Locking ring 6x0,7 -St-ph DIN 471	73430340	1		
46	Washer 6 -A2 ISO 7090	73120260	1		

3.0 Individual parts



3.0 Individual parts

POS	DESCRIPTION ADDITIONAL INFORMATIONS	PART NO	QTY.	FROM SER.NR.	UP TO SER. NR.
1	Ornamental hub cap D10/D12	63680760	1		
2	Sheet metal screw ST3,5X25-ST-A2R (IN6R)	73030650	1		
3	Handhold	53215090	1		
4	Coupler	54700340	1		
5	Helical spring	53322900	1		
6	Blind plug	66317360	2		
7	Coupler	54700330	1		
8	Ball valve	64122890	1		
9	Angle bushing	63900020	2		
10	Strain relief	66417760	1		
11	Fixing strap right	50327540	1		
12	Handhold operational concept	53217380	1		
13	Spring element	63130140	1		
14	Screw 5x16 -10.9-P2R (K-In6Rd)	73031070	4		
15	Screw 5x20 -10.9-R2R (In6Rd)	73031080	4		
16	Strap mains //1.533-100/ -101/ -150/ -151.0	50347600	1		
17	Strap handhold only for replacement (Ep)	40341460	1		
17	Strap handhold only for replacement BAT (Bp)	40341470	1		
18	Star grip	63211790	2		
19	Square nut M8 -05-A2E DIN 557	73115700	2		
20	Covering cap electronics BAT/PACK //1.533-104/ -105/ -106/ -107/ -114/-115/-116/-154/ -155/ -156/ -157.0/-167/-168	50328900	1		
20	Covering cap electronics BAT/PACK Dose //1.533-108/-109/-110/-111/-112/-113//-117/-158/-159/-160/-161/-162/-163/-164.0.0	50329010	1		
20	Covering cap electronics Ep //1.533-100/ -101/ -150/ -151.0	50331300	1		
21	Fixing strap left	50327550	1		
22	Control panel only for replacement	30710820	1		

3.0 Individual parts

POS	DESCRIPTION ADDITIONAL INFORMATIONS	PART NO	QTY.	FROM SER.NR.	UP TO SER. NR.
23	Seal control panel BR/BD 45-55/40	53620100	1		
24	Angle bushing G3-8	63951870	1		
25	Screw 5x16 -10.9-P2R (K-In6Rd)	73031070	4		
26	Washer 8-200HV-A2E ISO7093-1	73122770	2		
27	Threaded pin M6x35 -St-45H-A2E ISO 4026	73074180	3		
28	Elbow connector G3/8"	63951860	1		
29	Double nipple G3/8"	63951850	1		
30	Holder ball valve	50448160	1		
31	Screw 5x16 -10.9-P2R (K-In6Rd)	73031070	3		
32	Hexagon nut M22x1,5	53112040	1		
33	Shim ring 22x30x1-ST2K50 DIN 988	73432110	1		
34	Seal hexagon	55152930	1		
35	Sleeve fresh water	51310710	1		
37	Strap Bp	40341360	1		
38	Hexagon nut M6 -11,5	53101510	3		
	VERSION 1				
38	Hexagon nut M 6-1.4305 ISO 10511	73114220	3		
	VERSION 2				
39	Pushbutton emergency stop	66003440	1		
40	KEY SWITCH	66301060	1		
41	Handhold info panel	53217500	1		
42	Spring element	63130140	1		
43	Switch two-pole traction BR/BD45-55/40W	66323980	1		
44	Switch	66001140	1		

4.0 Electricics

4.1 Control system

1.533-100/ -101/ -150/ -151.0

4.2 Electric equipment

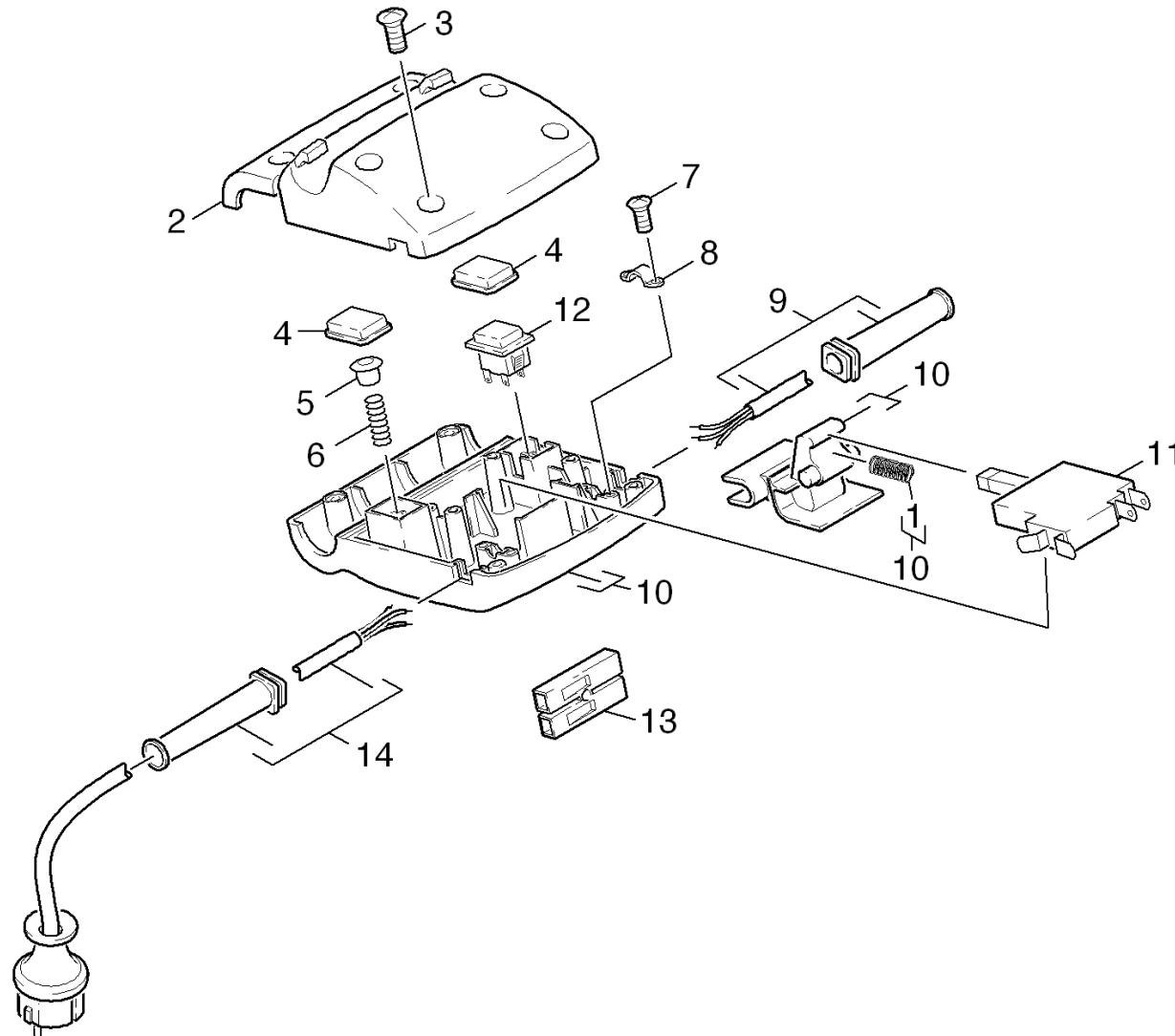
1.533-100/ -101/ -150/ -151.0

4.3 Electricics



4.1 Control system

1.533-100/ -101/ -150/ -151.0



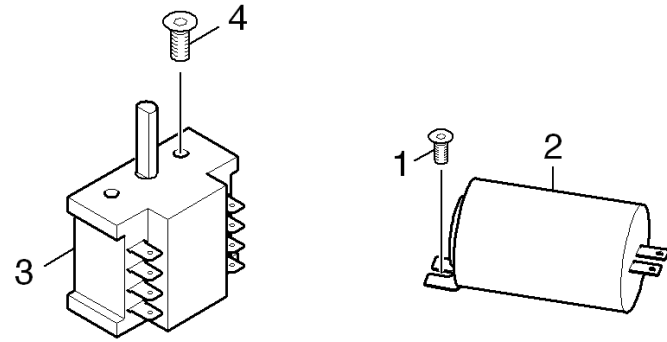
4.1 Control system

1.533-100/ -101/ -150/ -151.0

POS	DESCRIPTION ADDITIONAL INFORMATIONS	PART NO	QTY.	FROM SER.NR.	UP TO SER. NR.
1	HELICAL SPRING	53324620	1		
2	Housing push handle above	50315070	1		
3	Sheet metal screw ST3,5X16-ST-A2R (IN6R	73030630	6		
4	Cap	66316180	2		
5	PLUG	63683110	1		
6	HELICAL SPRING	53324470	1		
7	Screw 3,5x12 -A2-70-bk (In6Rd)	73031020	4		
8	Cable clamp R 8	63733190	2		
9	Cable with rubber bushing	66492880	1		
10	Housing push handle bottom	40310120	1		
11	Main switch	66303920	1		
12	CALIPERS	66317480	1		
13	INSULATING HOUSING 6,3	66480940	1		
14	Cable harness with plug	48220860	1		

4.2 Electric equipment

1.533-100/ -101/ -150/ -151.0

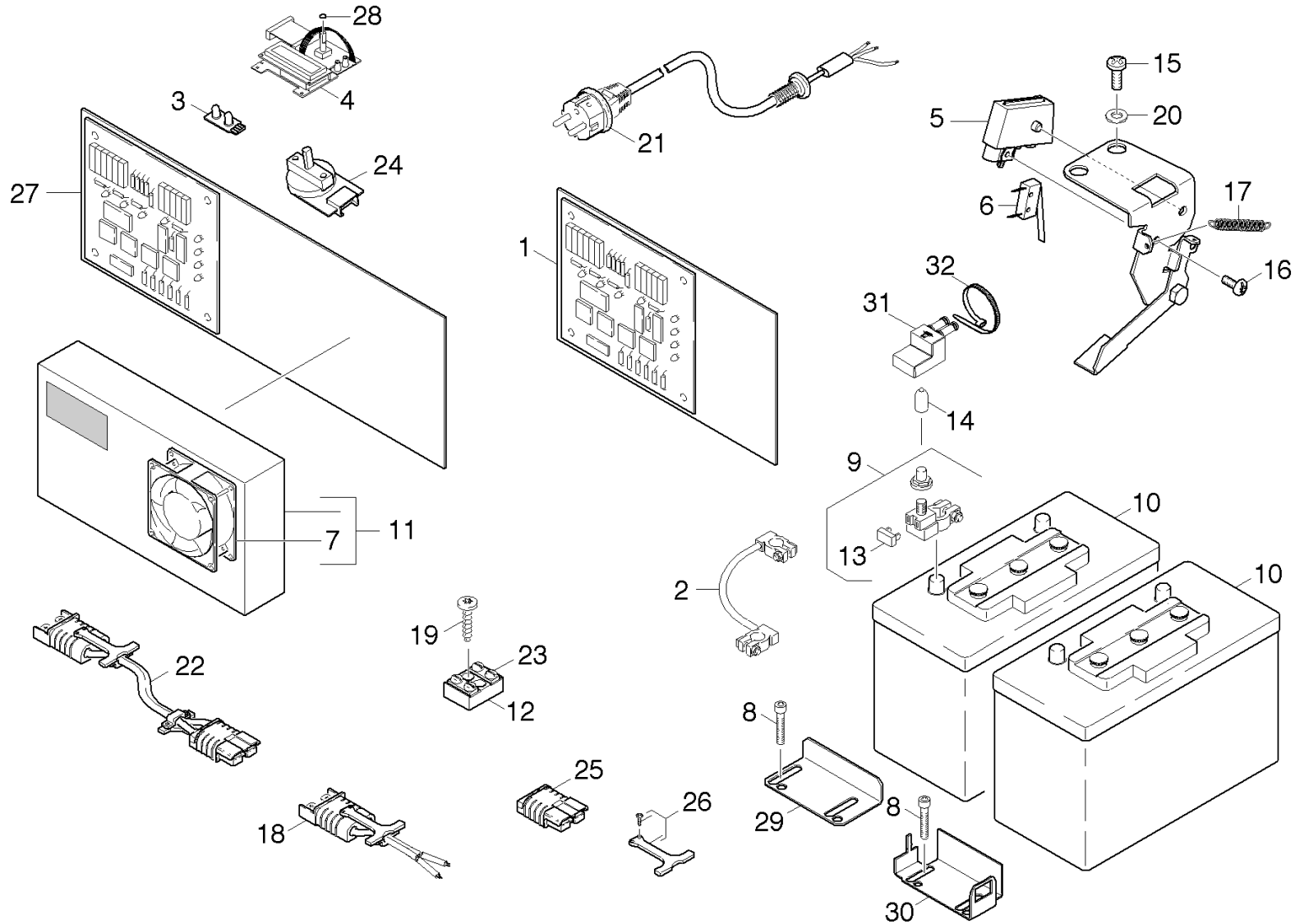


4.2 Electric equipment

1.533-100/ -101/ -150/ -151.0

POS	DESCRIPTION ADDITIONAL INFORMATIONS	PART NO	QTY.	FROM SER.NR.	UP TO SER. NR.
1	Screw 5x16 -10.9-P2R (K-In6Rd)	73031070	1		
2	CAPACITOR 30 MF	66612280	1		
3	Switch mains	66303910	1		
4	Screw M4x12 -A2-70 (In6Rd)	73062070	2		

4.3 Electricics



4.3 Electricics

POS	DESCRIPTION ADDITIONAL INFORMATIONS	PART NO	QTY.	FROM SER.NR.	UP TO SER. NR.
1	Electronics BRBD 45-55/40 Bp DOSE //1.533-110/ -111/ -160/ -161.0	66828240	1		
1	Electronics BRBD 45-55/40 Bp low-cost //1.533-104/ -105/ -154/ -155.0	66828510	1		
1	Electronics BD 45-55/40 Bp DOSE W //1.533-114/ -164.0	66828990	1		
1	Electronics BR/BD 4540/5540 BP Pack C ONLYFORBATTERIE"HOPPECKE" //1.533-106/-107/-112/-113.0	66829610	1		
2	Cable battery	66477380	1		
3	Circuit board LED BR/BD 40/25 //1.533-104/ -105/ -106/ -107/ -115/-116/ -154/-155/ -156/ -157/ -167/ -168.0	66827760	1		
4	Circuit board Drehimp./Displ. BR/BD45-55 //1.533-108/ -109/ -110/ -111/ -112/-113/ -114/ -117/ -158/ -159/ -160/-161/ -162/ -163/ -164.0	66828070	1		
5	Housing micro switch	50609980	1		
6	MICRO SWITCH	66303310	1		
7	Blower only for replacement	64843100	1		
8	Cylinder head screw M8x16 -8.8-A2E ISO4	73060400	2		
9	Pole binder single 100A	66439560	1		
10	Drive battery 12V 70AH //1.533-115/-116/-117/-167/-168.0 12V 70Ah	66540930	2		
10	BATTERY //1.533-106/ -107/ -108/ -109/ -112/-113/-156/-157/-158/-159/-162/-163.0 12V 100Ah	66541410	2		
10	Drive battery maintenance free 100 Ah ONLYFORBATTERIE"HOPPECKE" //1.533-106/-107/-112/-113.0 12V 100Ah	66542410	1		
11	Battery charger only for replacement	66542060	1		
12	Strip terminal	66438400	1		

4.3 Electricics

POS	DESCRIPTION ADDITIONAL INFORMATIONS	PART NO	QTY.	FROM SER.NR.	UP TO SER. NR.
	(+7.306-067.0)				
13	Fuse replacement 100A	66443630	1		
14	Protecting cap black 1/4" PVC	63682940	1		
15	Screw 5x16 -10.9-P2R (K-In6Rd)	73031070	2		
16	Screw 4x16 -10.9-R2R (K-In6Rd)	73031290	1		
17	SPRING	63300110	1		
18	Cable only for replacement	66494680	1		
19	Screw 5x20 -A2-70 (In6Rd)	73032120	1		
20	Washer 5-200HV-A3E ISO 7090	73120020	2		
21	Cable with plug //1.533-106/-107/-108/-109/-112/-113-115/-116/ -117/-156/-157/-158/-159/-162/-163/-167/-168.0	66493000	1		
22	Supply cable adapter BR/BD 45-55/40 ACCESSORIES	66493030	1		
23	Screw M 5x8-ST- 8.8-A2R (IN6RD)	73060670	4		
24	Switch program selection	66303870	1		
25	Plug two-pole 80A	66463190	1		
26	HANDLE	63211300	1		
27	Electronics BR/BD 45-55/40 C Bp Pack DOS //1.533-106/ -107/ -112/ -113/ -156/-157/ -162/ -163.0	66829030	1		
27	Electronics motor circuit board BR/BD 45 //1.533-108/ - 109/ - 158/ -159.0	66829040	1		
27	Electronics motor circuit board BRBD 45- //1.533-115/-116/-117/-167/-168.0	66829450	1		
27	Electronics for replacement BR/BD 45-55/ ONLYFORBATTERIE"HOPPECKE" //1.533-106/-107/-112/-113.0	66829620	1		
28	O-Ring seal 6,07 x 1,78 - NBR70	63634320	1		
29	Sheet metal component stop battery VERSION 1	50578260	1		
30	Sheet metal component fixing dosing pump VERSION 2	50578580	1		

4.3 Electricics

POS	DESCRIPTION ADDITIONAL INFORMATIONS	PART NO	QTY.	FROM SER.NR.	UP TO SER. NR.
31	Covering cap batterie terminal	53947820	1		
32	Cable tie 3,6x140	66490250	1		

5.0 Brush-head BR

5.1 Transmission BR 45-55/40

[1.533-100/-104/-106/-110/-112/-150/-154/-156/-160/-162/167.0](#)

5.2 Individual parts BR 45/40

5.3 Transmission BR 45-55/40

[1.533-108.0 /-158.0](#)

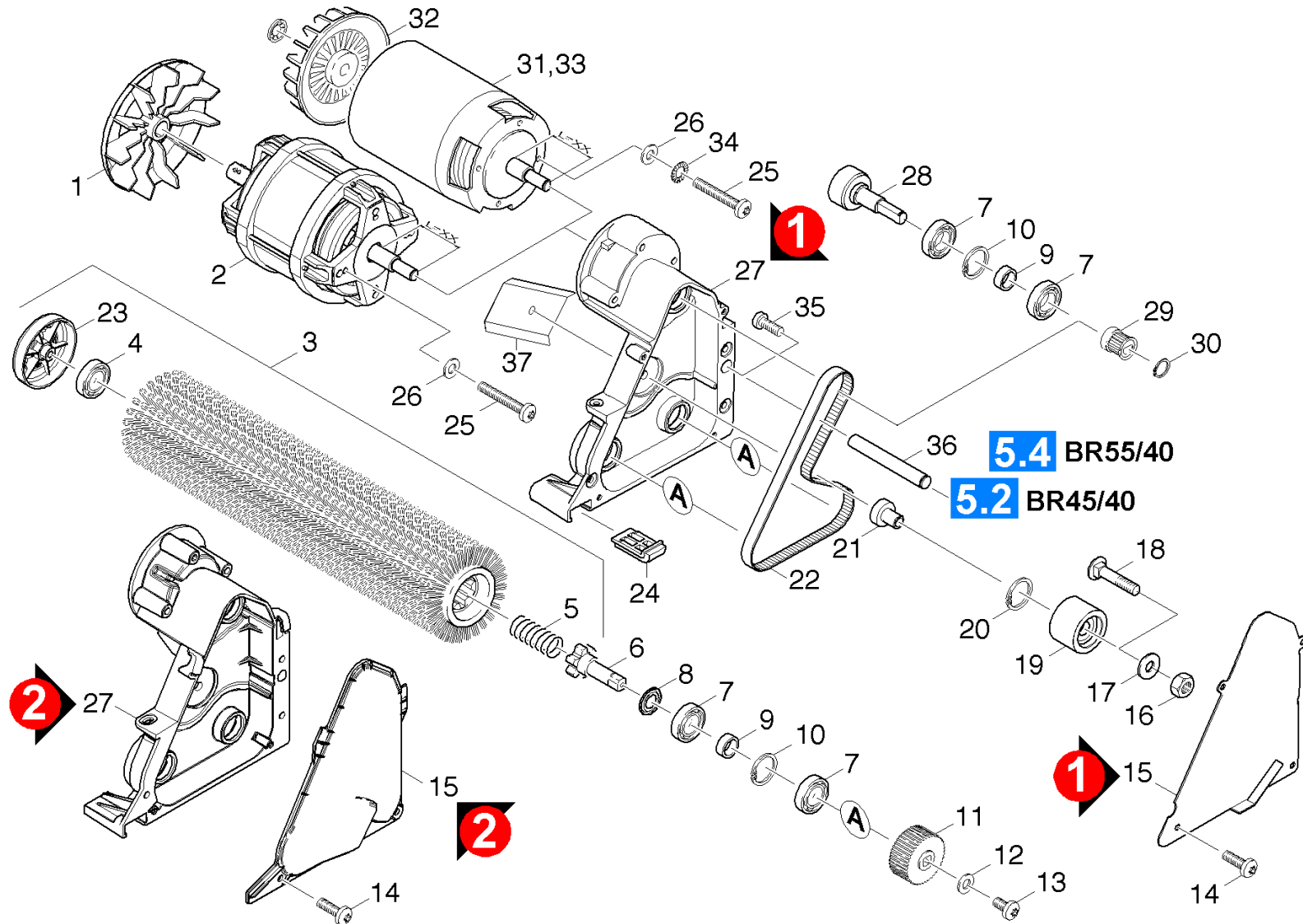
5.4 Individual parts BR 55/40

[1.533-150.0/-154.0/-156.0/-158.0/-160.0/-162/-167.0](#)



5.1 Transmission BR 45-55/40

1.533-100/-104/-106/-110/-112/-150/-154/-156/-160/-162/167.0



5.1 Transmission BR 45-55/40

1.533-100/-104/-106/-110/-112/-150/-154/-156/-160/-162/167.0

POS	DESCRIPTION ADDITIONAL INFORMATIONS	PART NO	QTY.	FROM SER.NR.	UP TO SER. NR.
1	Blower wheel //1.533-100/ -150.0	66127640	1		
2	Motor 230V / 50Hz //1.533-100/ -150.0 L=16,5mm	66131070	1		
2	Motor 230V / 50Hz L=91,5mm	66131160	1		
3	Roller brush complete red BR 45/40 STANDARD	47623920	2		
3	Roller brush complete red BR 55/40 STANDARD	47623930	2		
3	Roller brush complete white BR 45/40	47624050	2		
3	Roller brush complete orange BR 45/40	47624060	2		
3	Roller brush complete green BR 45/40	47624070	2		
3	Roller brush complete black BR 45/40	47624080	2		
3	Roller brush complete white BR 55/40	47624090	2		
3	Roller brush complete orange BR 55/40	47624100	2		
3	Roller brush complete green BR 55/40	47624110	2		
3	Roller brush complete black BR 55/40	47624120	2		
4	Ball bearing	64013630	2		
5	Helical spring	53321140	2		
6	Driveshaft complete	41002260	2		
7	Ball bearing 6002-2RS -WAE LZLAGST DIN 62	74011150	6		
8	Joint ring stainless steel Nilos 6002	63634690	2		
9	SLEEVE	51106860	3		
10	Locking ring 32x1,2 -St-ph DIN 472	73432310	3		
11	Belt pulley 56Z HTD 3M	56253570	2		
12	Washer 6 -200HV-A2E ISO7093-1	73122760	2		
13	Screw M6x10 -8.8-R3R (In6Rd)	73060870	2		
14	Screw M5x12 -St-P2R (In6Rd) QUANTITY ACCORDING TO DEMAND	73030380	4		
15	Covering cap gear	56710220	1		

5.1 Transmission BR 45-55/40

1.533-100/-104/-106/-110/-112/-150/-154/-156/-160/-162/167.0

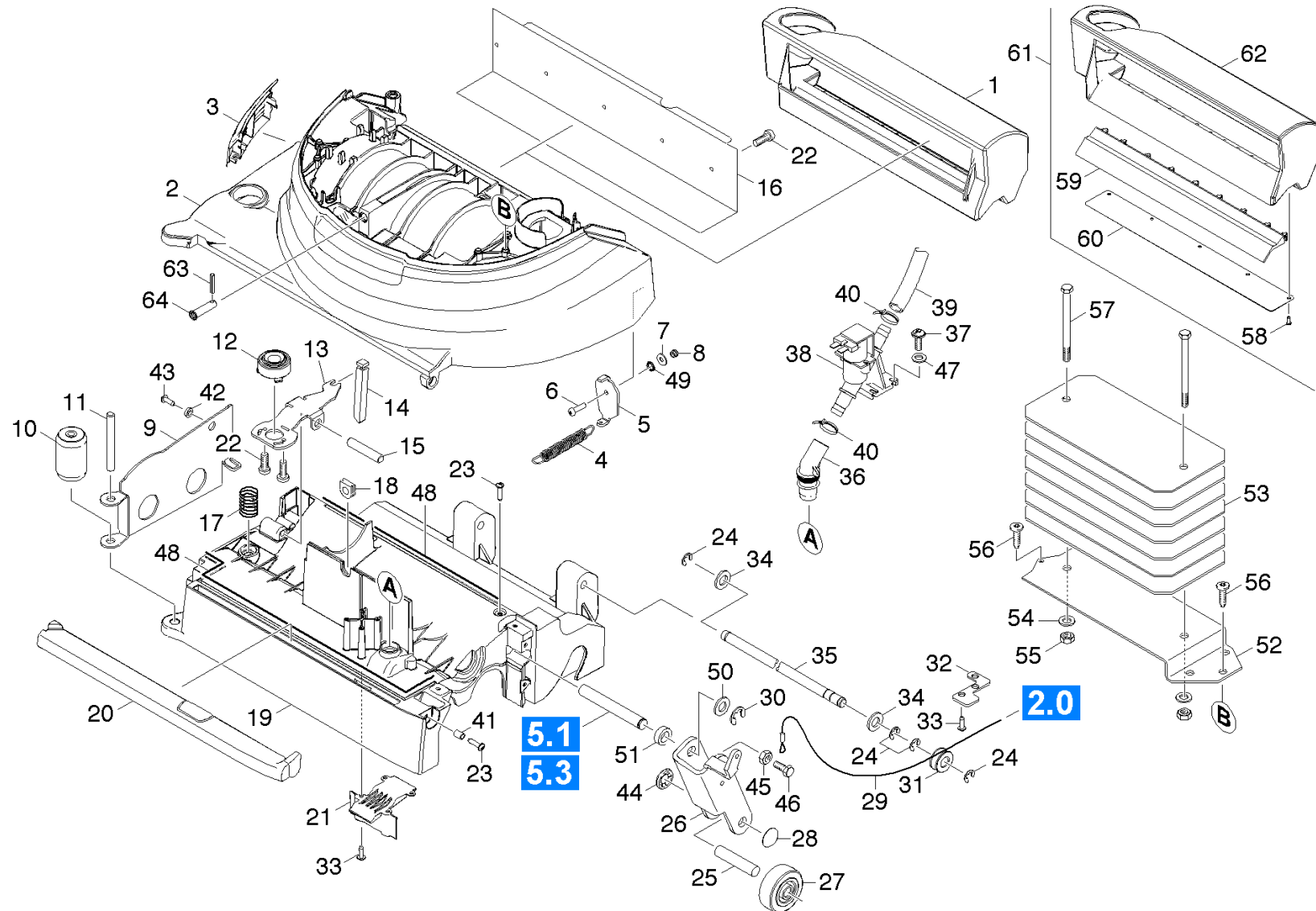
POS	DESCRIPTION ADDITIONAL INFORMATIONS	PART NO	QTY.	FROM SER.NR.	UP TO SER. NR.
	VERSION 1				
15	Cover gear	56710230	1		
	VERSION 2				
16	Hexagon nut M8 -04-A2E ISO 10511	73114270	1		
17	Washer 8-A2 ISO 7089	73120170	1		
18	Saucer-head screw M8x40 -St-A0P DIN 603	73031860	1		
19	Tension roller D = 33,5	42500830	1		
20	Locking ring 28x1,2-FST-RF DIN 472	73431510	1		
21	SLEEVE	51107000	1		
22	Toothed belt HTD-597-3M-15 CXP III	63484290	1		
23	Sheet metal component thread deflector	40386770	1		
24	Rocker BR-VS	50560100	1		
25	Screw M 6x55-A2-70 (IN6RD)	73062010	4		
26	Washer 6 -A2 ISO 7090	73120260	4		
27	Carrier motor	50530000	1		
	VERSION 1				
27	Carrier motor BR 45-55/40	50531710	1		
	VERSION 2				
28	Shaft	41002300	1		
29	PULLEY 21Z	56253180	1		
30	Locking ring 12x1-Rf-St DIN 471	73430030	1		
31	Direct current motor 24V	66131080	1		
	//1.533-104/ -106/ -110/ -112/ -117/-154/ -156/ -160/ -162.0				
	L=17,5mm				
31	Direct current motor 24V	66131170	1		
	L=91,5mm				
32	Blower wheel	66130250	1		
	//1.533-104/ -106/ -110/ -112/ -117// -154/ -156/ -160/ -162.0				
33	CARBON BRUSHES	66102160	1		
	AMER				
33	Carbon brush set ATAS	66102390	1		
	ATAS				

5.1 Transmission BR 45-55/40

1.533-100/-104/-106/-110/-112/-150/-154/-156/-160/-162/167.0

POS	DESCRIPTION ADDITIONAL INFORMATIONS	PART NO	QTY.	FROM SER.NR.	UP TO SER. NR.
34	Serrated lock washer A6,4-FSt-A3E DIN 6	73122320	1		
35	Screw M6x16 -A2-70 (In6Rd)	73061930	1		
36	Bolt bearing feed roll BR	53171880	1		
37	Covering cap long hole	50643240	1		

5.2 Individual parts BR 45/40



5.2 Individual parts BR 45/40

POS	DESCRIPTION ADDITIONAL INFORMATIONS	PART NO	QTY.	FROM SER.NR.	UP TO SER. NR.
1	Sweep tank counter rotation BR 45/40 //1.533-108.0	50329110	1		
2	Housing top part BR 45/40	50611830	1		
3	Covering cap air circulation	50329020	1		
4	EXTENSION SPRING	63301680	1		
5	Sheet metal component spring feed roll	50578480	1		
6	Screw M5x20 -A2-70 (In6Rd)	73061830	1		
7	Washer 5 -A2 ISO 7093-1	73122820	1		
8	Hexagon nut M 5-1.4305 ISO 10511	73114310	1		
9	Sheet metal component covering cap brush	50389980	1		
10	ROLLER D45	64353410	1		
11	Bolt deflector roll	53171860	1		
12	Push button SWS-BR	53260300	1		
13	Sheet metal component rocker SWS	50389970	1		
14	Rod locking part SWS	50272860	1		
15	Bolt bearing rocker SWS BR	53171850	1		
16	Sheet metal component covering cap BR45	50613170	1		
17	Pressure spring	53325540	1		
18	Cable bushing	66480640	1		
19	Housing bottom part BR 45/40	50611840	1		
20	Strip water distributor BR 45/40	51902470	1		
21	Covering cap water intake	56722970	1		
22	Screw 4x 12-ST-10.9-R2R (IN6RD)	73030950	9		
23	Screw 6x25 -10.9-A2R (In6Rd)	73031130	3		
24	Locking ring 8-A2 DIN 6799	73433030	4		
25	Bolt stop feed roll BR	53171870	1		
26	Sheet metal component holder feed roll B	50578770	1		
27	Wheel VPA 80/12G	64357450	1		
28	Quick-fastener	63432240	1		
29	Rope BR/BD	41720280	1		
30	Lock washer 10-FST-A2E DIN 6799	73430470	1		
31	Deflection pulley	53171910	1		

5.2 Individual parts BR 45/40

POS	DESCRIPTION ADDITIONAL INFORMATIONS	PART NO	QTY.	FROM SER.NR.	UP TO SER. NR.
32	Plate fuse rope	50088960	1		
33	Screw 6x20 -10.9-R2R (In6Rd)	73031120	6		
34	Washer 12-A2 ISO 7090	73120540	2		
35	Bolt bearing head	53171800	1		
36	RUBBER BUSHING	53790280	1		
37	Screw 4x16 -A2-70 (In6Rd)	73030260	2		
38	Solenoid valve replacement //1.533-100.0	44720020	1		
38	Solenoid valve 24V //1.533-104/ -106/ -108/ -110/ -117/ -112.0	64729970	1		
39	Hose DN12,5 TO ORDER AS CUT GOODS	63882480	1		
40	Tightening strap	63886040	2		
41	Bush	51127950	1		
42	Sleeve	51127940	1		
43	Screw 5x16 -A2-70 (IN6RD)	73031040	1		
44	QUICK FASTENER	63431800	1		
45	Hexagon nut M 6-A2-70 ISO 4032	73110670	1		
46	Hexagonal head screw M 6x16-A4-70 ISO 4	73045210	1		
47	Washer 4-A2 ISO 7093-1	73122930	2		
48	Seal string cellular rubber 4 TO ORDER AS CUT GOODS	62730700	1		
49	Double serrated lock washer D6,1	69582820	1		
50	Shim ring 12x18x1 -St2K50 DIN988	73432120	1		
51	Spacer sleeve D12.2 - 8.5mm	51110260	1		
52	Bracket additional weight BR45 //1.533-104/ -106/ -108/ -110/ -117/ -112.0	51291260	1		
53	Additional weight BR //1.533-104/ -106/ -108/ -110/ -117/ -112.0	51291270	7		
54	Washer 8 -200HV-A3E ISO 7090	73120040	2		
55	Hexagon nut M 8x1,0-6-A2E ISO 10512	73114390	2		
56	Screw 6x20 -10.9-R2R (In6Rd)	73031120	4		

5.2 Individual parts BR 45/40

POS	DESCRIPTION ADDITIONAL INFORMATIONS	PART NO	QTY.	FROM SER.NR.	UP TO SER. NR.
57	Hexagonal head screw M 8x45-8.8-A2E ISO	73044070	2		
58	Screw 4x20 -A2-70 (In6Rd)	73031170	5		
59	Rubberlip BR 45	51902510	1		
60	Plate rubberlip BR45	50560540	1		
61	Add-on kit sweep tank BR45	26412980	1		
62	Sweep tank synchronous run BR 45/40	50329000	1		
63	Spring pin 5x40 -A ISO 8752	73140390	1		
64	Sleeve tank closure	55170060	1		

5.3 Transmission BR 45-55/40

1.533-108.0 /-158.0

POS	DESCRIPTION ADDITIONAL INFORMATIONS	PART NO	QTY.	FROM SER.NR.	UP TO SER. NR.
1	Blower wheel	66130250	1		
2	Direct current motor 24V	66131150	1		
3	Roller brush complete red BR 45/40 STANDARD	47623920	2		
3	Roller brush complete red BR 55/40 STANDARD	47623930	2		
3	Roller brush complete white BR 45/40	47624050	2		
3	Roller brush complete orange BR 45/40	47624060	2		
3	Roller brush complete green BR 45/40	47624070	2		
3	Roller brush complete black BR 45/40	47624080	2		
3	Roller brush complete white BR 55/40	47624090	2		
3	Roller brush complete orange BR 55/40	47624100	2		
3	Roller brush complete green BR 55/40	47624110	2		
3	Roller brush complete black BR 55/40	47624120	2		
4	Shaft gear left BR VS	41001250	1		
5	Helical spring	53321140	2		
6	Driveshaft complete	41002260	2		
7	Ball bearing 6002-2RS -WAEZLAGST DIN 62	74011150	8		
8	Joint ring stainless steel Nilos 6002	63634690	2		
9	SLEEVE	51106860	4		
10	Locking ring 32x1,2 -St-ph DIN 472	73432310	4		
11	Belt pulley 56Z HTD 3M	56253570	2		
12	Washer 6 -200HV-A2E ISO7093-1	73122760	2		
13	Screw M6x10 -8.8-R3R (In6Rd)	73060870	2		
14	Screw M5x12 -St-P2R (In6Rd) QUANTITY ACCORDING TO DEMAND	73030380	4		
15	Covering cap gear VERSION 1	56710220	1		
15	Cover gear VERSION 2	56710230	1		
16	Serrated lock washer A6,4-FSt-A3E DIN 6	73122320	1		
17	Sheet metal component thread deflector	40386770	1		

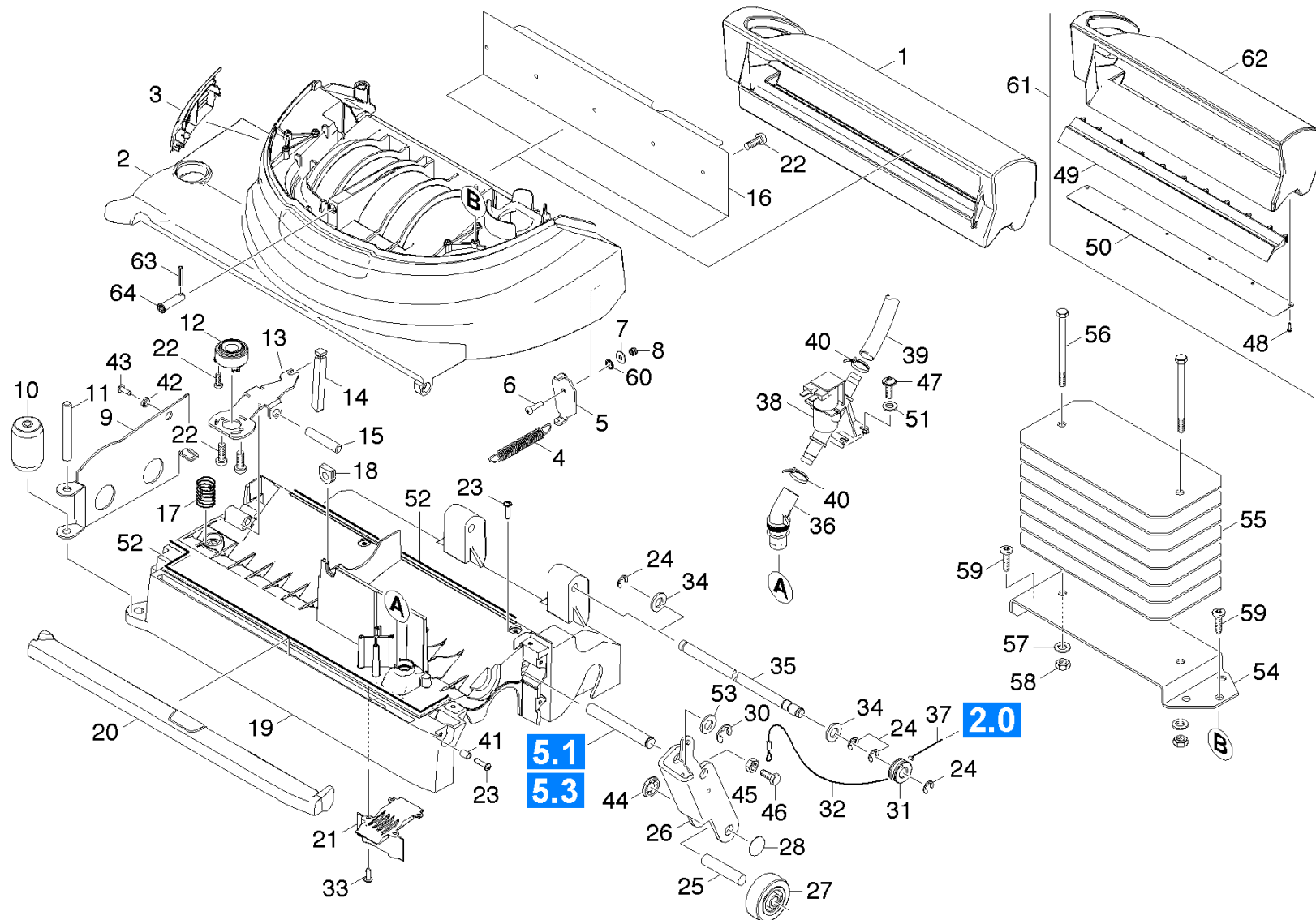
5.3 Transmission BR 45-55/40

1.533-108.0 /-158.0

POS	DESCRIPTION ADDITIONAL INFORMATIONS	PART NO	QTY.	FROM SER.NR.	UP TO SER. NR.
18	Bolt bearing feed roll BR	53171880	1		
19	Screw M6x16 -A2-70 (In6Rd)	73061930	1		
20	Carbon brush set ATAS ATAS	66102390	1		
21	Toothed belt HTD-390-3M-15 CXPIII	63484300	1		
22	Toothed belt HTD-474-3M-15 CXPIII	63484310	1		
23	Locking ring 12x1-Rf-St DIN 471	73430030	2		
24	Rocker BR-VS	50560100	1		
25	Screw M6x55-A2-70 DIN 7984	73060340	4		
26	Washer 6 -A2 ISO 7090	73120260	4		
27	Carrier motor VERSION 1	50530000	1		
27	Carrier motor BR 45-55/40 VERSION 2	50531710	1		
28	Shaft gear right BR VS	41001240	1		
29	PULLEY 21Z	56253180	2		
30	Ball bearing	64013630	1		
31	Covering cap long hole	50643240	1		

5.4 Individual parts BR 55/40

1.533-150.0/-154.0/-156.0/-158.0/-160.0/-162/-167.0



5.4 Individual parts BR 55/40

1.533-150.0/-154.0/-156.0/-158.0/-160.0/-162/-167.0

POS	DESCRIPTION ADDITIONAL INFORMATIONS	PART NO	QTY.	FROM SER.NR.	UP TO SER. NR.
1	Sweep tank counter rotation BR 55/40 //1.533-158.0	50329120	1		
2	Housing top part BR 55/40	50611810	1		
3	Covering cap air circulation	50329020	1		
4	EXTENSION SPRING	63301680	1		
5	Sheet metal component spring feed roll	50578480	1		
6	Screw M5x20 -A2-70 (In6Rd)	73061830	1		
7	Washer 5 -A2 ISO 7093-1	73122820	1		
8	Hexagon nut M 5-1.4305 ISO 10511	73114310	1		
9	Sheet metal component covering cap brush	50389980	1		
10	ROLLER D45	64353410	1		
11	Bolt deflector roll	53171860	1		
12	Push button SWS-BR	53260300	1		
13	Sheet metal component rocker SWS	50389970	1		
14	Rod locking part SWS	50272860	1		
15	Bolt bearing rocker SWS BR	53171850	1		
16	Sheet metal component covering cap BR55	50613150	1		
17	Pressure spring	53325540	1		
18	Cable bushing	66480640	1		
19	Housing bottom part BR 55/40	50611820	1		
20	Strip water distributor BR 55/40	51902460	1		
21	Covering cap water intake	56722970	1		
22	Screw 4x 12-ST-10.9-R2R (IN6RD)	73030950	10		
23	Screw 6x25 -10.9-A2R (In6Rd)	73031130	4		
24	Locking ring 8-A2 DIN 6799	73433030	4		
25	Bolt stop feed roll BR	53171870	1		
26	Plate feed roll BR	50578540	1		
27	Wheel VPA 80/12G	64357450	1		
28	Quick-fastener	63432240	1		
29	Rope	64312510	1		
30	Lock washer 10-FST-A2E DIN 6799	73430470	1		
31	Deflection pulley wheel transport	55152790	1		

5.4 Individual parts BR 55/40

1.533-150.0/-154.0/-156.0/-158.0/-160.0/-162/-167.0

POS	DESCRIPTION ADDITIONAL INFORMATIONS	PART NO	QTY.	FROM SER.NR.	UP TO SER. NR.
32	Rope front BR	64312520	1		
33	Screw 5x16 -10.9-P2R (K-In6Rd)	73031070	6		
34	Washer 12-A2 ISO 7090	73120540	2		
35	Bolt bearing head	53171890	1		
36	RUBBER BUSHING	53790280	1		
37	Rope rear BR	41720270	1		
38	Solenoid valve replacement	44720020	1		
	//1.533-150.0				
38	Solenoid valve 24V	64729970	1		
	//1.533-154/ -156/ -158/ -160/ -162.0				
39	Hose DN12,5	63882480	1		
	TO ORDER AS CUT GOODS				
40	Tightening strap	63886040	2		
41	Bush	51127950	1		
42	Sleeve	51127940	1		
43	Screw 5x16 -A2-70 (In6RD)	73031040	1		
44	QUICK FASTENER	63431800	1		
45	Hexagon nut M 6-A2-70 ISO 4032	73110670	1		
46	Hexagonal head screw M 6x16-A4-70 ISO 4	73045210	1		
47	Screw 4x16 -A2-70 (In6Rd)	73030260	2		
48	Screw 4x20 -A2-70 (In6Rd)	73031170	6		
49	Rubberlip BR 55	51902520	1		
50	Plate rubberlip BR55	50560550	1		
51	Washer 4-A2 ISO 7093-1	73122930	2		
52	Seal string cellular rubber 4	62730700	1		
	TO ORDER AS CUT GOODS				
53	Shim ring 12x18x1 -St2K50 DIN988	73432120	1		
54	Bracket BR 55	51291280	1		
	//1.533-154/ -156/ -158/ -160/ -162.0				
55	Additional weight BR	51291270	7		
	//1.533-154/ -156/ -158/ -160/ -162.0				
56	Hexagonal head screw M 8x45-8.8-A2E ISO	73044070	2		

5.4 Individual parts BR 55/40

1.533-150.0/-154.0/-156.0/-158.0/-160.0/-162/-167.0

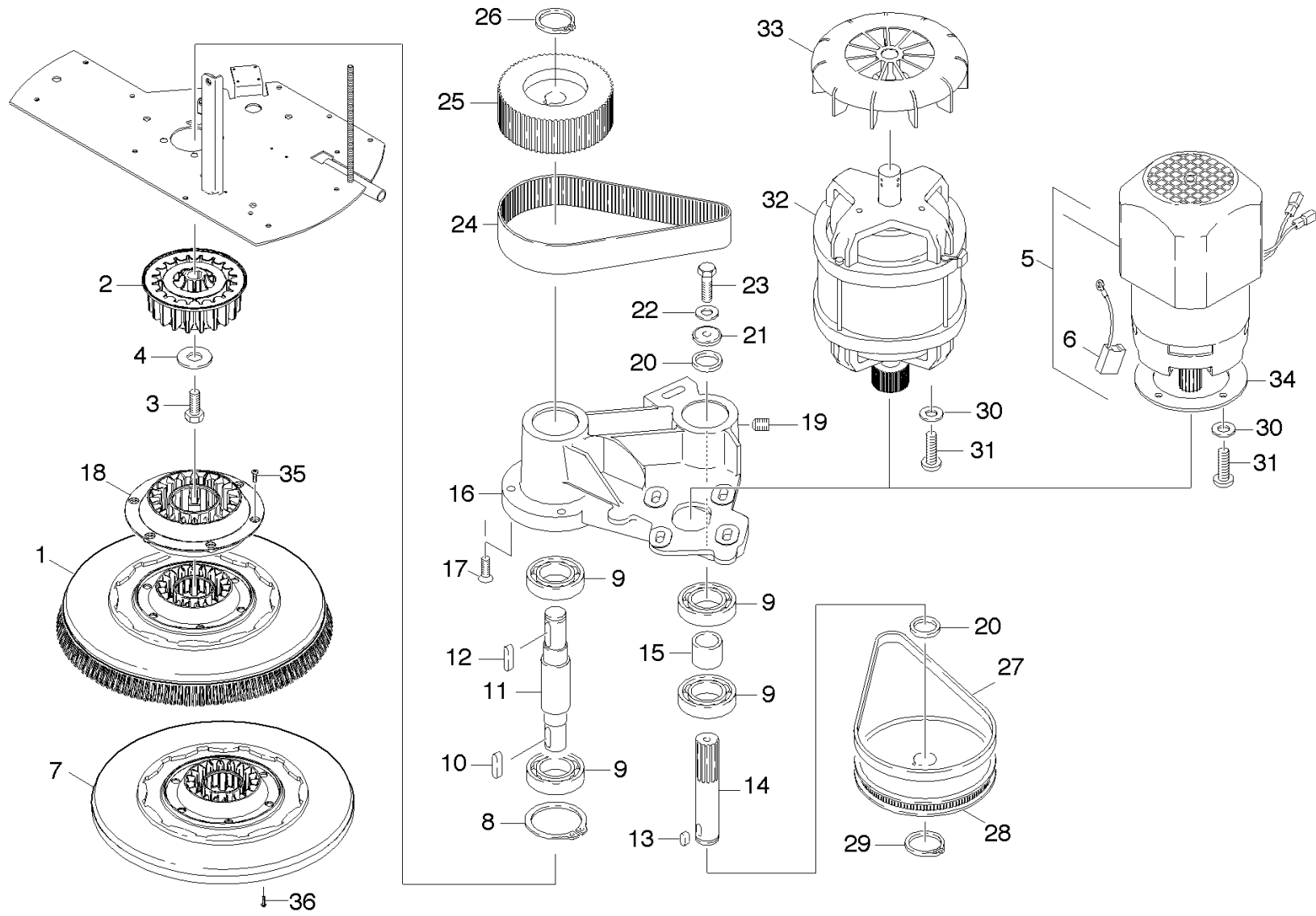
POS	DESCRIPTION ADDITIONAL INFORMATIONS	PART NO	QTY.	FROM SER.NR.	UP TO SER. NR.
57	Washer 8 -200HV-A3E ISO 7090	73120040	2		
58	Hexagon nut M 8x1,0-6-A2E ISO 10512	73114390	2		
59	Screw 6x20 -10.9-R2R (In6Rd)	73031120	4		
60	Double serrated lock washer D6,1	69582820	1		
61	Add-on kit sweep tank BR 55	26412990	1		
62	Sweep tank synchronous run BR 55/40	50328990	1		
63	Spring pin 5x40 -A ISO 8752	73140390	1		
64	Sleeve tank closure	55170060	1		

6.0 Brush-head BD

6.1 Transmission BD
6.2 Individual parts BD



6.1 Transmission BD



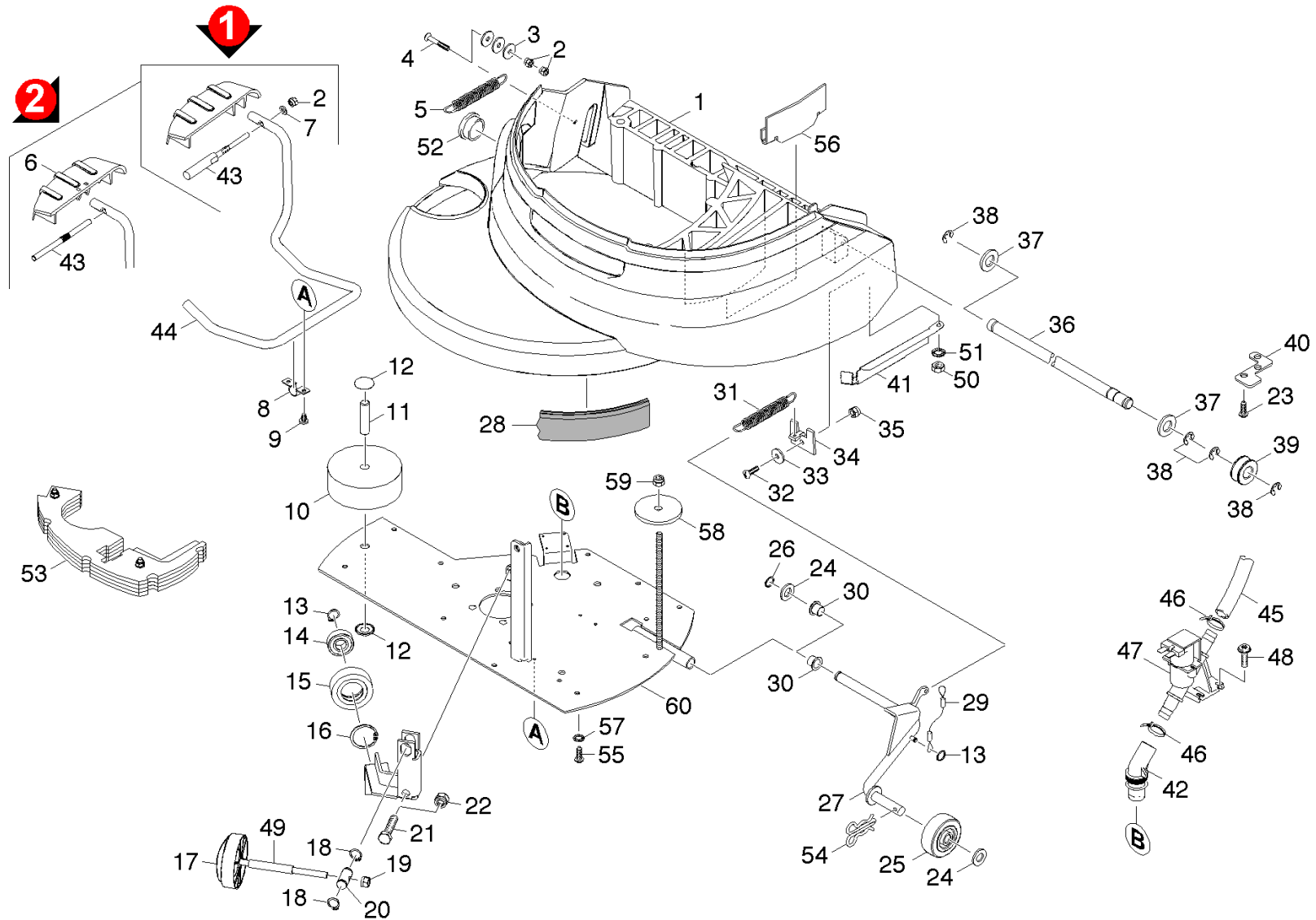
6.1 Transmission BD

POS	DESCRIPTION ADDITIONAL INFORMATIONS	PART NO	QTY.	FROM SER.NR.	UP TO SER. NR.
1	Disc brush complete red 55 STANDARD	49050020	1		
1	Disc brush complete red 45 STANDARD	49050030	1		
1	Disc brushes complete nature BD 45/40	49050040	1		
1	Disc brushes complete white BD 45/40	49050050	1		
1	Disc brushes complete black BD 45/40	49050060	1		
1	Disc brushes complete nature BD 55/40	49050070	1		
1	Disc brushes complete white BD 55/40	49050080	1		
1	Disc brushes complete black BD 55/40	49050090	1		
2	Retainer transmission die casting	51224620	1		
3	Hexagonal head screw M8x16-A4-70 ISO 40	73045380	1		
4	Washer 8 -A2 ISO 7094	73122680	1		
5	Direct current motor //1.533-105/-107/-109/-111/-113/-114/-116/-155/-157/-159/-161/-163/-164/-168.00	66130710	1		
6	Carbon brush set ATAS ATAS	66102390	1		
7	Disk pad BD45	47624140	1		
7	Disk pad BD55	47624160	1		
8	Locking ring 47x1,75 -St-ph DIN 472	73431150	1		
9	Ball bearing 6204-2RS-WAELZLAGST DIN 625	74011730	4		
10	Parallel key 6x6x25 -C45R DIN 6885-1	73180300	1		
11	Shaft belt drive 1 BD 530	51003780	1		
12	Parallel key 6x6x28 -C45R DIN 6885-1	73180310	1		
13	Parallel key 6x6x12 -C45R DIN 6885-1	73180040	1		
14	Shaft belt drive 2	51003790	1		
15	Bush for belt drive	51126190	1		
16	Holder belt drive	50448970	1		
17	Countersunk screw M8x20-St-A3E DIN7500(I	73032260	3		
18	Retainer brush SWS	50328810	1		
19	Threaded pin M10X 12-A1-50 ISO 7435	73073010	1		
20	Bush	51126160	2		

6.1 Transmission BD

POS	DESCRIPTION ADDITIONAL INFORMATIONS	PART NO	QTY.	FROM SER.NR.	UP TO SER. NR.
21	Flanged pulley	51159130	1		
22	Washer 6 -200HV-A3E ISO 7090	73120030	1		
23	Screw M6x10 -A2-70 (In6Rd)	73061910	1		
24	Toothed belt HTD-475-5M-40 CXPIII	63483840	1		
25	Toothed lock washer 63Z	56254020	1		
26	Locking ring 18x1,2-Rf-St DIN 471	73430180	1		
27	Toothed belt HTD-447-3M-15 CXPIII	63483830	1		
28	Toothed lock washer 125Z	56254030	1		
29	Locking ring 20x1,2-FST-RF DIN 471	73430070	1		
30	Washer 6 -A2 ISO 7093-1	73122920	4		
31	Screw M6x16 -8.8-R3R (In6Rd)	73060900	4		
32	Motor 230V /50 Hz //1.533-101/ -151.0	66129240	1		
33	Blower wheel //1.533-101/ -151.0	66127650	1		
34	Ring motor	51144800	1		
35	Screw 6x20 -10.9-R2R (In6Rd)	73031120	6		
36	Screw 4x22 -ST-10.9-R2R (IN6RD)	73030960	3		

6.2 Individual parts BD



6.2 Individual parts BD

POS	DESCRIPTION ADDITIONAL INFORMATIONS	PART NO	QTY.	FROM SER.NR.	UP TO SER. NR.
1	Cover BD45	50328820	1		
1	Cover BD 55	50328830	1		
2	Hexagon nut M 6-A2-70 ISO 7040	73110220	2		
3	Washer 6 -100HV-A3E ISO 7094	73122600	3		
4	Countersunk screw M6x40-ST-8.8-A2R (IN6	73050580	1		
5	Extension spring	63300930	1		
6	Pedal lever notch (+5.105-621.0)	54813700	1		
7	Washer 6-200HV-P4E ISO 7089	73120450	1		
8	Pipe clamp	63736890	2		
9	Screw M5x8 -St-A2R (In6Rd)	73030360	4		
10	ROLLER	55150960	1		
11	Axle	53171750	1		
12	Quick-fastener	63432240	2		
13	Locking ring 15x1-FST-RF DIN 471	73430150	2		
14	Ball bearing 6202-2RS -Wälzl.St DIN 625	74011280	1		
15	ROLLER	54350010	1		
16	Locking ring 35x1,5-FST-BR DIN 472	73431670	1		
17	Handle three parts	53217830	1		
18	Locking ring 14x1-FST-RF DIN 471	73430360	2		
19	Hexagon nut M 8-A2-70 ISO 7040	73115140	1		
20	Bolt	53171810	1		
21	Hexagonal head screw M10x45-A4-70 ISO 4	73048060	1		
22	Hexagon nut M10-A2-70 ISO 7040	73115240	1		
23	Screw 6x20 -10.9-R2R (In6Rd)	73031120	2		
24	Washer 12-A2 ISO 7090	73120540	2		
25	Wheel VPA 80/12G	64357450	1		
26	Locking ring 12x1 -FSt DIN 471	73430830	1		
27	Holder feed roll	40440710	1		
28	Sealing lip TO ORDER AS CUT GOODS	53652220	1		
29	Rope BR/BD	41720280	1		

6.2 Individual parts BD

POS	DESCRIPTION ADDITIONAL INFORMATIONS	PART NO	QTY.	FROM SER.NR.	UP TO SER. NR.
30	Flanged bushing	63470840	2		
31	EXTENSION SPRING	63301680	1		
32	Screw M5x16 -8.8-R2R (In6Rd)	73060770	1		
33	Washer 5-A2 ISO 7094	73122670	1		
34	Sheet metal component	50578220	1		
35	Hexagon nut M 5-A2-70 ISO 4032	73110650	1		
36	Bolt bearing head	53171800	1		
37	Washer 12-CuZn ISO 7092	73120750	2		
38	Locking ring 8-A2 DIN 6799	73433030	4		
39	Deflection pulley	53171910	1		
40	Plate fuse rope	50088960	1		
41	Plate stop BD	50511160	1		
42	RUBBER BUSHING	53790280	1		
43	Axle	51055690	1		
	VERSION 1				
43	Axle knurled	51056210	1		
	VERSION 2				
44	Strap	50347550	1		
45	Hose DN12,5	63882480	1		
	TO ORDER AS CUT GOODS				
46	Tightening strap	63886040	2		
47	Solenoid valve replacement //1.533-101/ -151.0	44720020	1		
47	Solenoid valve 24V //1.533-105/ -107/ -109/ -111/ -113/-114-116/ -155/ -157/ -159/ -161.0 / -163/-164/-168.0	64729970	1		
48	Screw M4x12 -St-R2R (In6Rd)	73030320	4		
49	Sleeve	53400020	1		
50	Hexagon nut M 8-A2-70 ISO 4032	73110680	1		
51	Shim ring 12x18x1 -St2K50 DIN988	73432120	1		
52	Cap //1.533-114/ -164/ -109/ -159.0	66324270	1		

6.2 Individual parts BD

POS	DESCRIPTION ADDITIONAL INFORMATIONS	PART NO	QTY.	FROM SER.NR.	UP TO SER. NR.
53	Additional weight belt drive BD 45-55/40 ACCESSORIES	40310850	1		
54	SPRING CLIP	63130220	1		
55	Screw 6x25 -10.9-A2R (In6Rd)	73031130	10		
56	Sheet metal component support BD 45/40	50096120	1		
57	Toothed lock washer A6,4-FSt-A3E DIN 67	73121670	10		
58	Cover washer	51156900	1		
59	Hexagon nut M 8-8-A2E ISO 7040	73115100	1		
60	Sheet metal component complete	40581500	1		

7.0 Suction bar

7.1 Suction bar

[VERSION 1](#)

7.2 SUCTION PART

[VERSION 2](#)

7.3 Suction beam retraction

[VERSION 1](#)

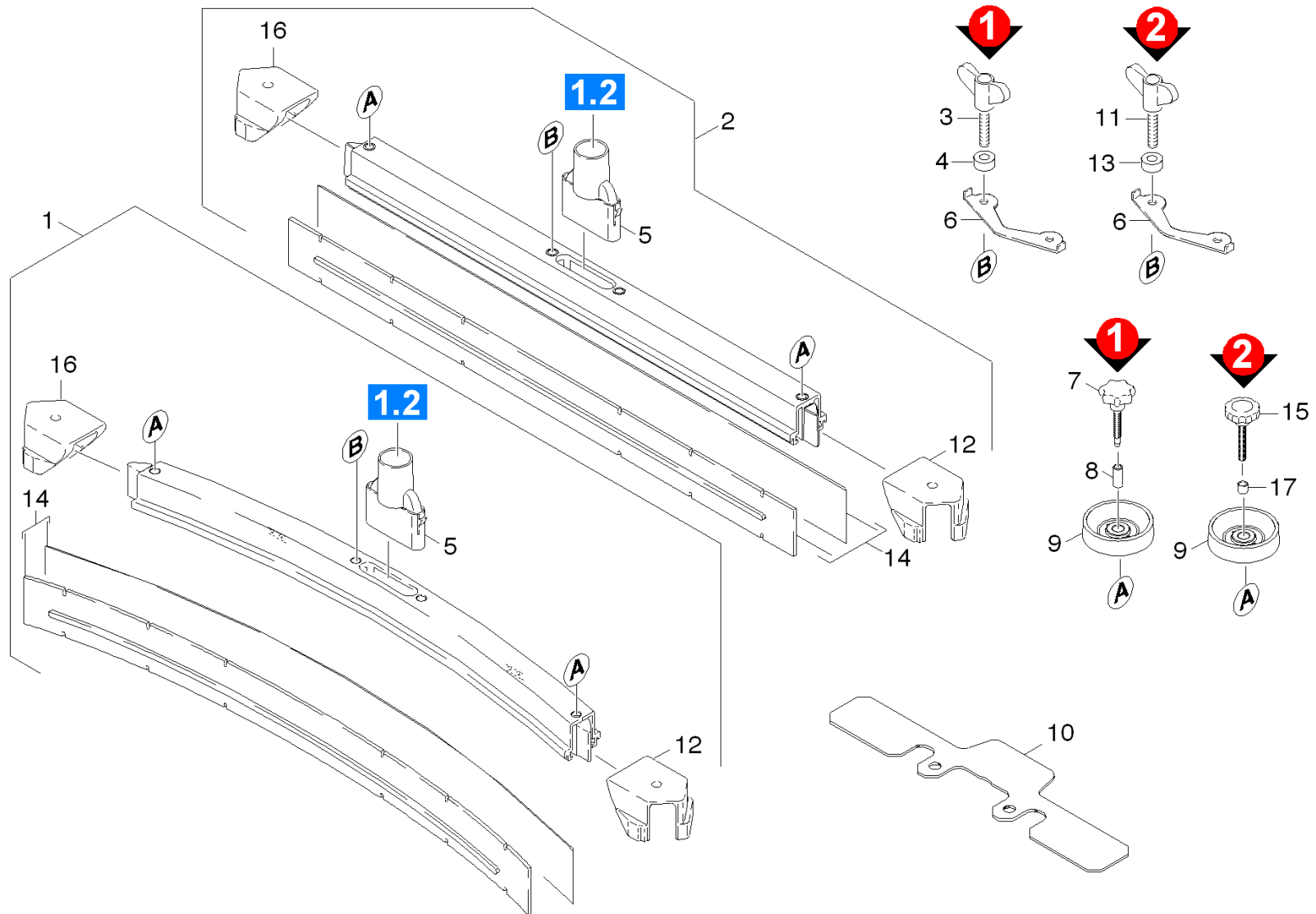
7.4 Suction beam retraction

[VERSION 2](#)



7.1 Suction bar

VERSION 1



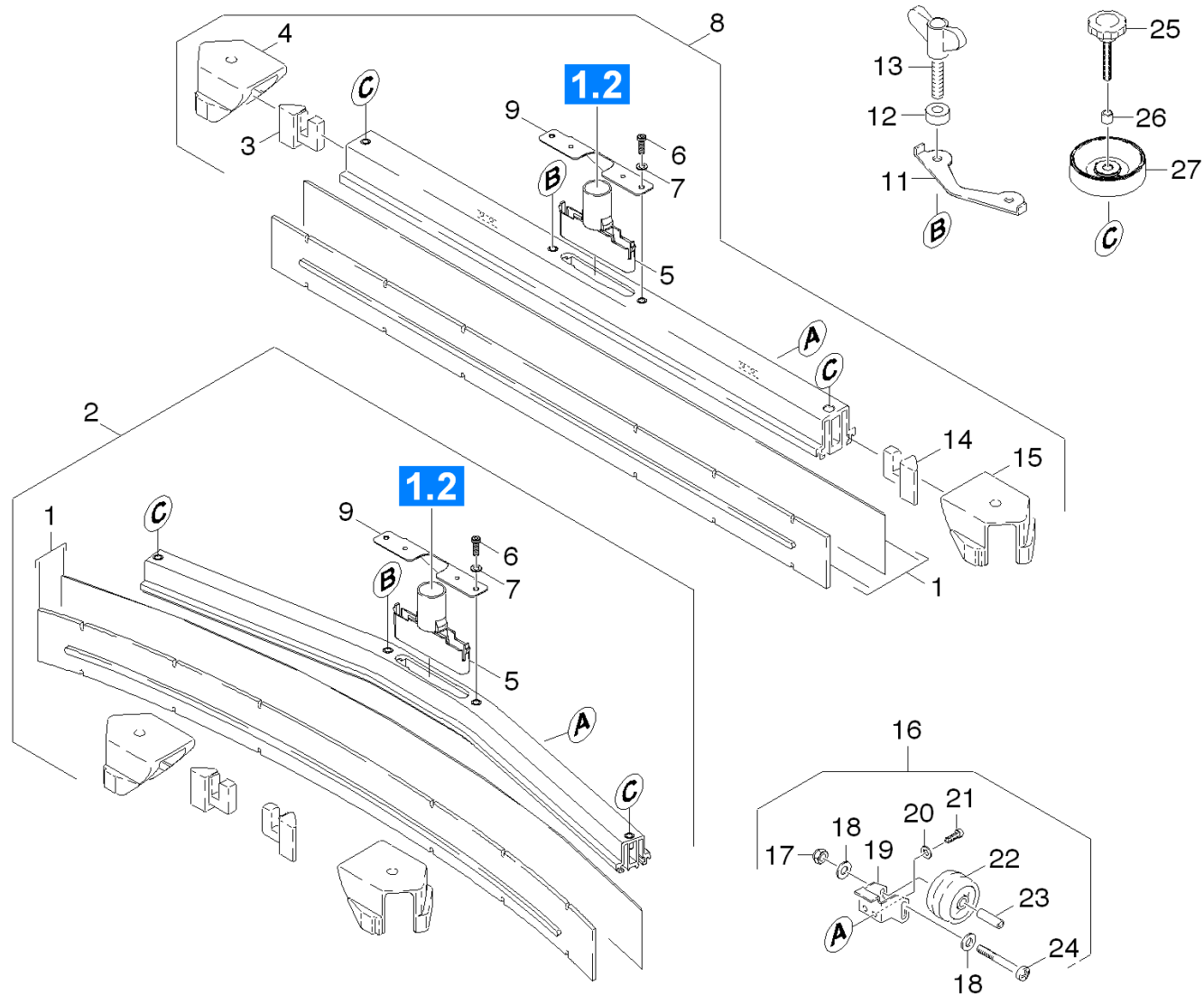
7.1 Suction bar

VERSION 1

POS	DESCRIPTION ADDITIONAL INFORMATIONS	PART NO	QTY.	FROM SER.NR.	UP TO SER. NR.
1	Suction bar curved	47770710	1		
2	Suction bar straight 850 AB oLR	47773060	1		
3	WING NUT M8x30	53052860	2		
4	SLEEVE	51127480	2		
5	Suction nipple	50319890	1		
6	Plate	50072170	1		
7	Star grip	63211790	2		
8	Sleeve suction bar	50941540	2		
9	Deflector roll suction bar	55152670	2		
10	ADDITION WEIGHT SAUGBALKEN	51283390	1		
11	Wing screw M8x40 VA	53052960	2		
12	End piece left	50319900	1		
13	Sleeve VA	51128100	2		
14	Rubber lip set oil resistant BR-BD530,55 OIL RESISTANT	62732070	1		
14	Rubber lip set standard STANDARD	62732130	1		
14	Rubber lip set anti stripe oil resistant ANTI-STRIP, OIL RESISTANT	62732290	1		
15	Star grip VA	63212110	2		
16	End piece right	50319910	1		
17	Sleeve suction bar in VA	50942310	2		

7.2 SUCTION PART

VERSION 2



7.2 SUCTION PART

VERSION 2

POS	DESCRIPTION ADDITIONAL INFORMATIONS	PART NO	QTY.	FROM SER.NR.	UP TO SER. NR.
1	Rubber lip set oil resistant BR-BD530,55 OIL RESISTANT	62732070	1		
1	Rubber lip set standard STANDARD	62732130	1		
1	Rubber lip set anti stripe oil resistant ANTI-STRIP, OIL RESISTANT	62732290	1		
2	Suction bar curved 850 AB oLR	47773160	1		
3	End piece inside right	50319930	1		
4	End piece right	50319910	1		
5	Suction nipple	50332510	1		
6	Cylinder head screw M 8x25-A4-70 ISO 47	73061420	2		
7	Washer 8-A2 ISO 7089	73120170	2		
8	Suction bar straight 850 AB oLR	47773060	1		
9	Suction bar support plate	51005590	1		
11	Plate	50072170	1		
12	Sleeve VA (VA)	51128100	2		
13	Wing screw M8x40 VA (VA)	53052960	2		
14	End piece inside left	50319920	1		
15	End piece left	50319900	1		
16	Add-on kit support wheels suction bar	26395610	1		
17	Hexagon nut M 6-1.4305 ISO 10511	73114220	1		
18	Washer 6 -A2 ISO 7090	73120260	2		
19	Holder roller	50443040	2		
20	Washer 5 -A2 ISO 7089	73120520	2		
21	Screw M5x10 -St-P2R (In6Rd)	73030370	2		
22	Wheel D54	64354010	2		
23	Axle	51052450	1		
24	Hexagonal head screw M 6x45-A4-70 ISO 4	73045500	2		
25	Star grip VA STAINLESS STEEL CONSTRUCTION	63212110	2		

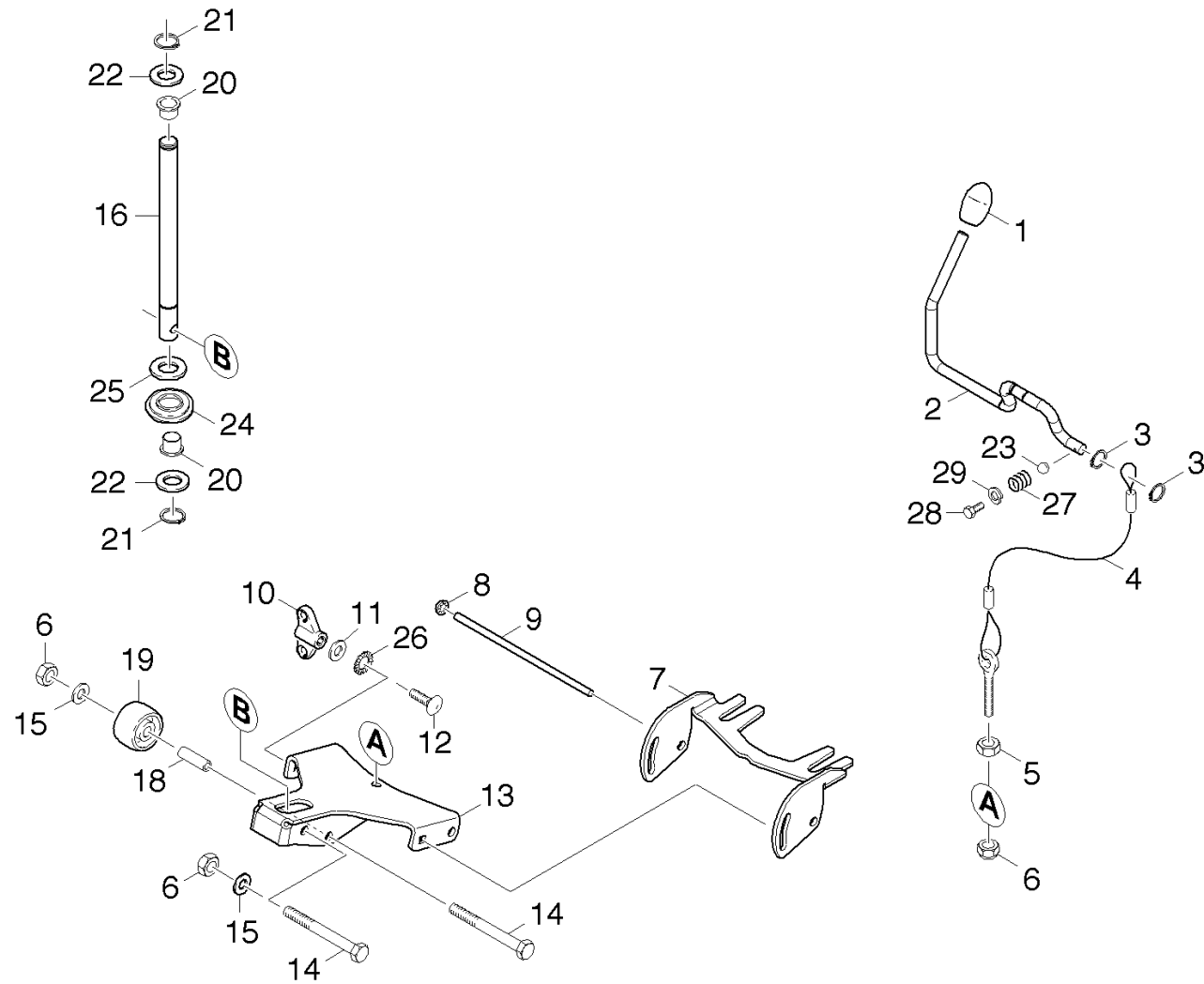
7.2 SUCTION PART

VERSION 2

POS	DESCRIPTION ADDITIONAL INFORMATIONS	PART NO	QTY.	FROM SER.NR.	UP TO SER. NR.
26	Sleeve suction bar in VA STAINLESS STEEL CONSTRUCTION	50942310	2		
27	Deflector roll suction bar	55152670	2		

7.3 Suction beam retraction

VERSION 1



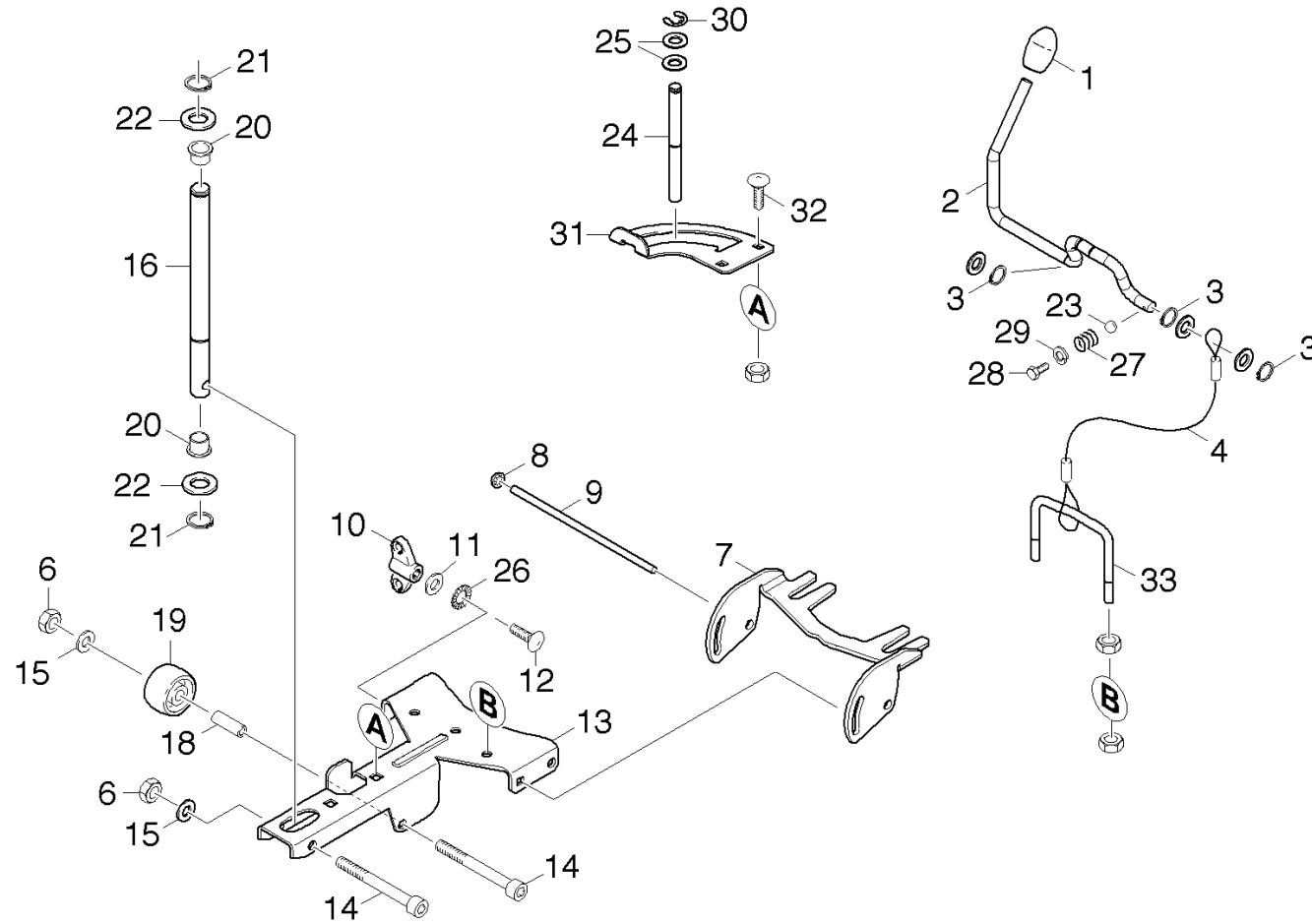
7.3 Suction beam retraction

VERSION 1

POS	DESCRIPTION ADDITIONAL INFORMATIONS	PART NO	QTY.	FROM SER.NR.	UP TO SER. NR.
1	Push button	63211850	1		
2	Strap	50347580	1		
3	Lock washer 7-A2 DIN 6799	73433000	2		
4	Rope complete	41720250	1		
5	Hexagon nut M 8-04-A2E ISO 4035	73112240	1		
6	Hexagon nut M8 -04-A2E ISO 10511	73114270	3		
7	Rocker suction bar	50589870	1		
8	Lock washer 8	63431320	2		
9	Bar	51072020	1		
10	Wing nut M 6	63101290	2		
11	Washer 6 -A2 ISO 7093-1	73122920	2		
12	Saucer-head screw M6x20 -A2 DIN 603	73031390	2		
13	Holder suction bar	50447230	1		
14	Hexagonal head screw M 8x70-A4-70 ISO 4	73042640	2		
15	Washer 8-A2 ISO 7089	73120170	2		
16	Bolt suction bar	53171780	1		
18	Bush	51126330	1		
19	ROLLER	54350040	1		
20	Bearing bush	64374840	2		
21	Lock washer 12-St-A2E DIN 6799	73433060	2		
22	WASHER	51157110	2		
23	Sphere 7 G300 -1.4301 DIN 5401	74019080	1		
24	Washer	51161340	1		
25	Washer 16 -A2 ISO 7090	73120570	1		
26	Serrated lock washer A6,4-1.4310 DIN679	73120200	2		
27	HELICAL SPRING	53323760	1		
28	Hexagonal head screw M 8x10-8.8-A2E ISO	73043930	1		
29	Spring washer B 8-1.4310 DIN 127	73130150	1		

7.4 Suction beam retraction

VERSION 2

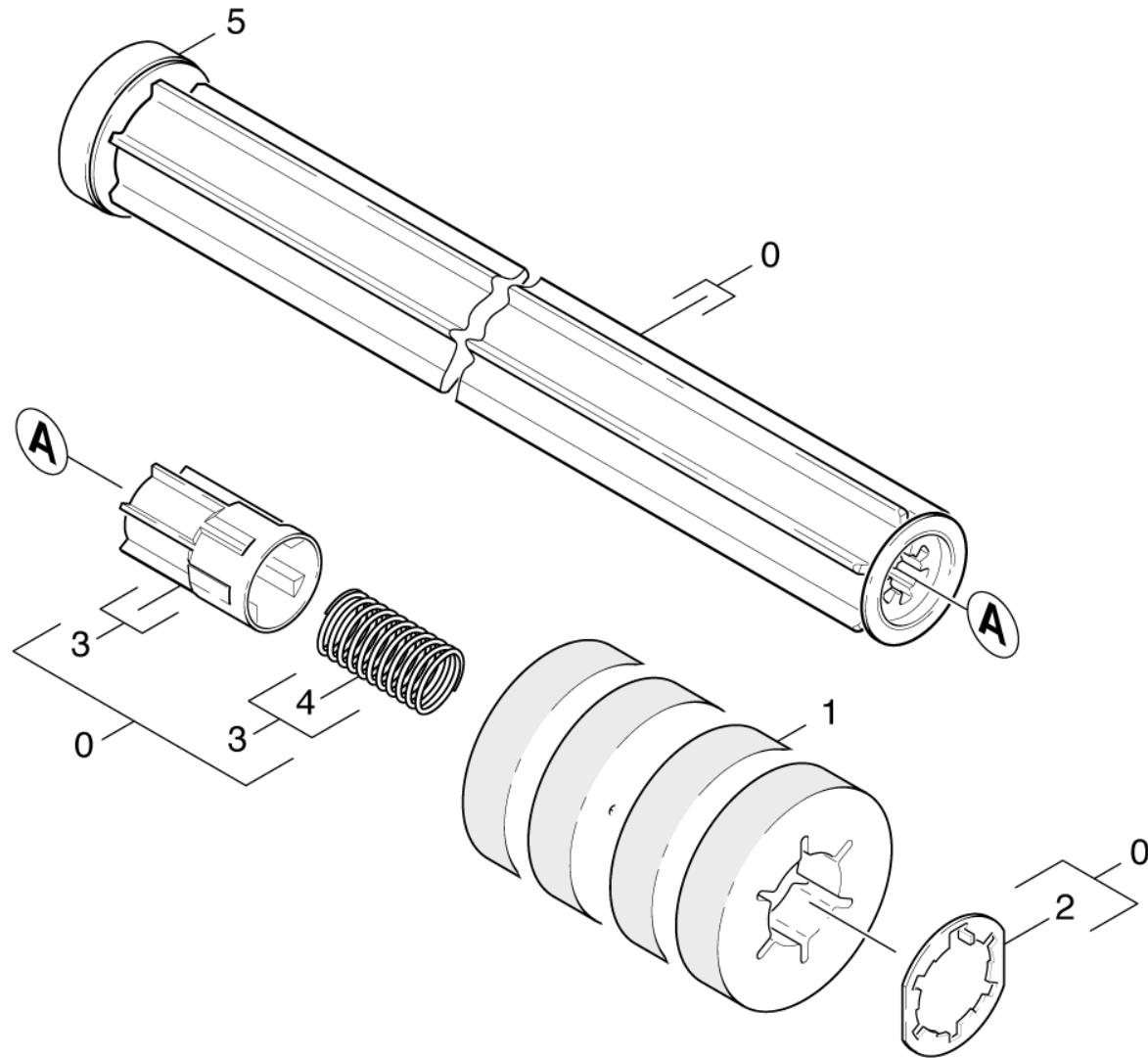


7.4 Suction beam retraction

VERSION 2

POS	DESCRIPTION ADDITIONAL INFORMATIONS	PART NO	QTY.	FROM SER.NR.	UP TO SER. NR.
1	Push button	63211850	1		
2	Strap	50347580	1		
3	Lock washer 7-A2 DIN 6799	73433000	2		
4	Rope suction beam retraction	41720310	1		
5	Hexagon nut M 8-04-A2E ISO 4035	73112240	1		
6	Hexagon nut M8 -04-A2E ISO 10511	73114270	3		
7	Rocker suction bar	50589870	1		
8	Lock washer 8	63431320	2		
9	Bar	51072020	1		
10	Wing nut M 6	63101290	2		
11	Washer 6 -A2 ISO 7093-1	73122920	2		
12	Saucer-head screw M6x20 -A2 DIN 603	73031390	2		
13	Sheet metal component holder suction bar	50094990	1		
14	Cylinder head screw M8x55 -A4-70 ISO 47	73062220	2		
15	Washer 8-A2 ISO 7089	73120170	2		
16	Bolt suction bar short	50095000	1		
18	Bush	51126330	1		
19	ROLLER	54350040	1		
20	Bearing bush	64374840	2		
21	Lock washer 12-St-A2E DIN 6799	73433060	2		
22	WASHER	51157110	2		
23	Sphere 7 G300 -1.4301 DIN 5401	74019080	1		
24	Bolt stop suction bar	50095010	1		
25	Washer 12-200HV-A3E ISO 7090	73120080	2		
26	Serrated lock washer A6,4-1.4310 DIN679	73120200	2		
27	HELICAL SPRING	53323760	1		
28	Hexagonal head screw M 8x10-8.8-A2E ISO	73043930	1		
29	Spring washer B 8-1.4310 DIN 127	73130150	1		
30	Lock washer 9-St-A2E DIN 6799	73432050	1		
31	Plate guide suction bar	50095760	1		
32	Saucer-head screw M8x16-A2 DIN 603	73032020	2		
33	Strap suction beam retraction	50348290	1		

8.0 Roll pad



8.0 Roll pad

POS	DESCRIPTION ADDITIONAL INFORMATIONS	PART NO	QTY.	FROM SER.NR.	UP TO SER. NR.
0	Roll Pad BR45	47624130	1		
0	Roll Pad BR55	47624150	1		
1	Pad yellow with sleeve BR 45/40 BR 45/40	63671050	1		
1	Pad green with sleeve BR 45/40 BR 45/40	63671060	1		
1	Pad red with sleeve BR 45/40 BR 45/40	63671070	1		
1	Pad white with sleeve BR 45/40 BR 45/40	63671080	1		
1	Pad yellow with sleeve BR 55/40	63697320	1		
1	Pad green with sleeve BR 55/40	63697330	1		
1	Pad red with sleeve BR 55/40	63697340	1		
1	Pad white with sleeve BR 55/40	63697350	1		
2	Washer closure	41150030	1		
3	HUB PADWALZE	51203130	1		
4	HELICAL SPRING	53324690	1		
5	Sheet metal component thread deflector	40386770	1		

9.0 Metering

9.1 RM metering

VERSION 1

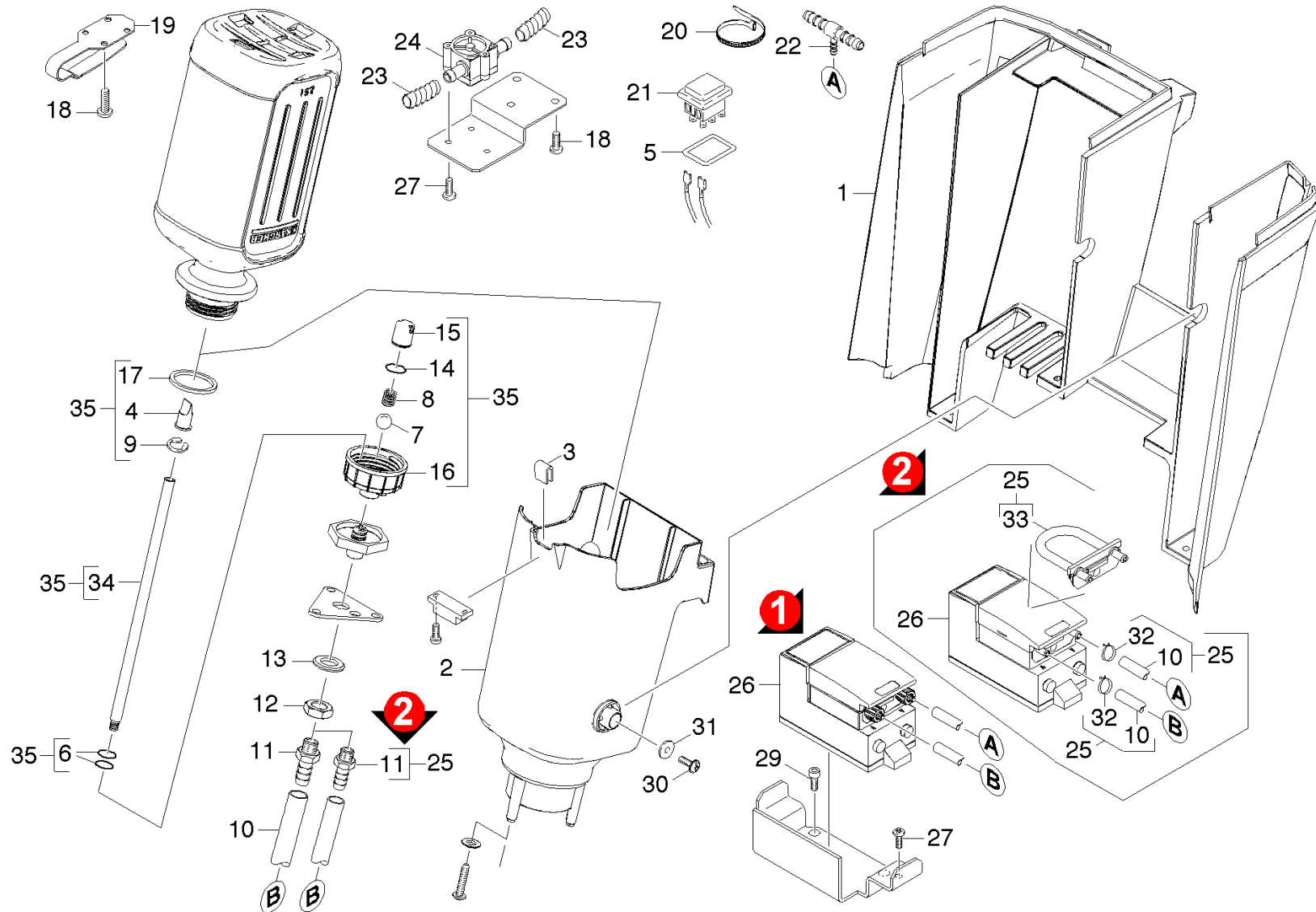
9.2 RM metering

VERSION 2



9.1 RM metering

VERSION 1



9.1 RM metering

VERSION 1

POS	DESCRIPTION ADDITIONAL INFORMATIONS	PART NO	QTY.	FROM SER.NR.	UP TO SER. NR.
1	Covering cap electronics BAT/PACK Dose	50329010	1		
2	Tank cleaning agents	50088570	1		
3	Plate holder magnet	50089040	1		
4	Ventilating valve cleaning agents	64148930	1		
5	Label switch yellow	53912270	1		
6	GASKET 5,0 X 1,0	63629100	2		
7	Sphere 10,0 G100-1.4301 DIN 5401	74019170	1		
8	Helical spring	53322590	1		
9	Locking ring 8-A2 DIN 6799	73433030	1		
10	Hose silicon 8x1 TO ORDER AS CUT GOODS Version 1	63895910	1		
10	Hose chemistry DN 6 TO ORDER AS CUT GOODS Version 2	63913410	1		
11	Hose stem DN 6 - M10x1 VERSION 2	63859930	1		
11	Hose stem VERSION 1	63884290	1		
12	Hexagon nut M16x1,5-04-A2E ISO 8675	73111100	1		
13	Washer 16 -A2 ISO 7090	73120570	1		
14	O RING	63622230	1		
15	Holder spring closure RM-FI.	50329130	1		
16	Cover cleaning agents	40606250	1		
17	Seal	63633040	1		
18	Screw 5x16 -10.9-P2R (K-In6Rd)	73031070	6		
19	Spring blank holder bottle RM	53325530	1		
20	Cable tape 8-210	66414740	6		
21	Switch chemistry	66324000	1		
22	T-Piece 12-6-12	63951880	1		
23	Spiral hose TO ORDER AS CUT GOODS	63908920	1		

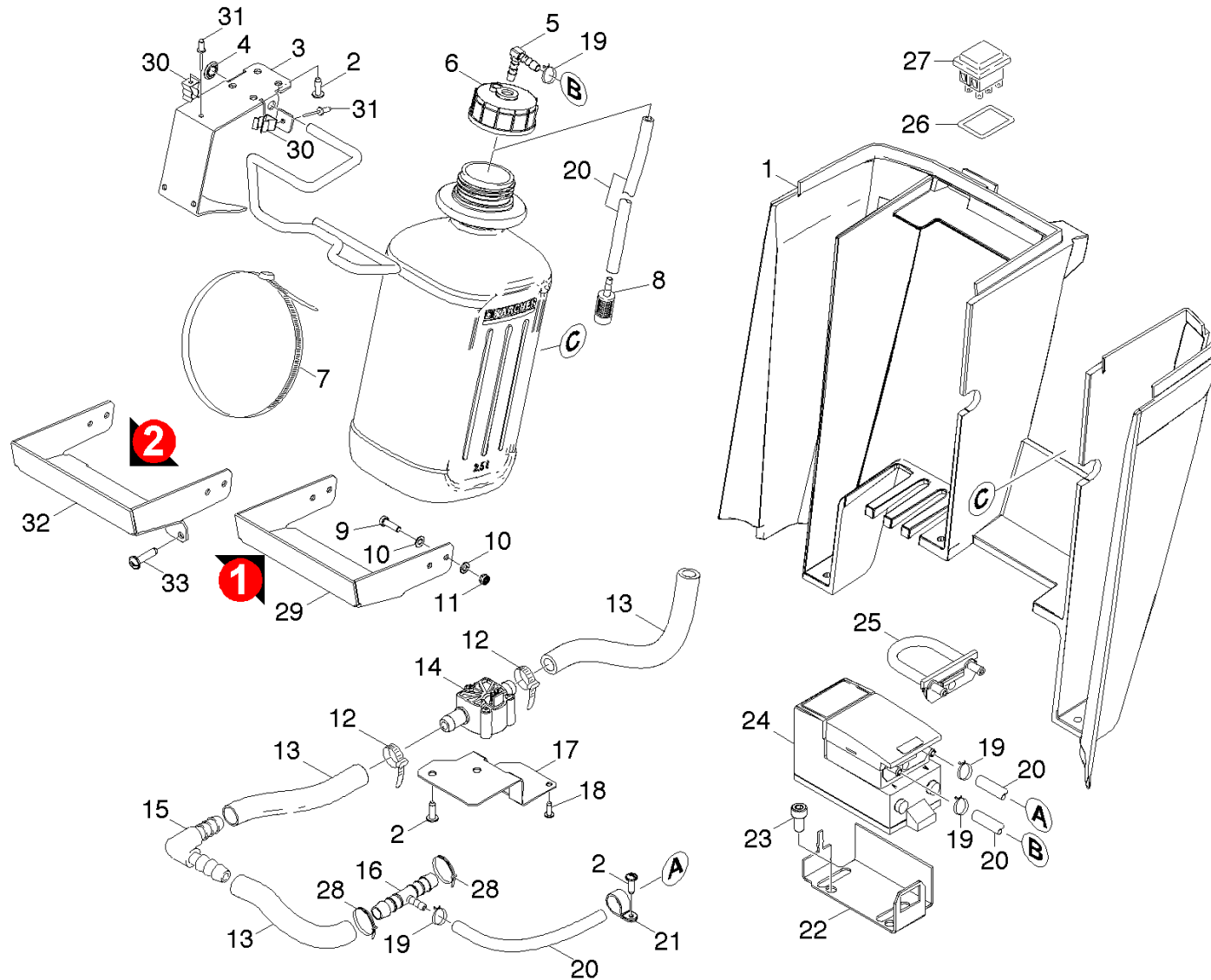
9.1 RM metering

VERSION 1

POS	DESCRIPTION ADDITIONAL INFORMATIONS	PART NO	QTY.	FROM SER.NR.	UP TO SER. NR.
24	Flowmetre	64290380	1		
25	Conversion kit hose dosing pump	28826350	1		
26	Dosing pump metering cleaning agents BR/ VERSION 1	67621900	1		
26	Dosing pump connection DN6 VERSION 2	67622050	1		
27	Screw 4x12 -10.9-R2R (IN6RD)	73031060	2		
29	Cylinder head screw M8x16 -8.8-A2E ISO4	73060400	2		
30	Screw 6x20 -10.9-R2R (In6Rd)	73031120	2		
31	WASHER	51151500	2		
32	Hose clip	63899240	2		
33	Hose dosing pump only for replacement	54435560	1		
34	Connecting pipe	53400010	1		
35	Set cleaning agents bottle	40407080	1		

9.2 RM metering

VERSION 2



9.2 RM metering

VERSION 2

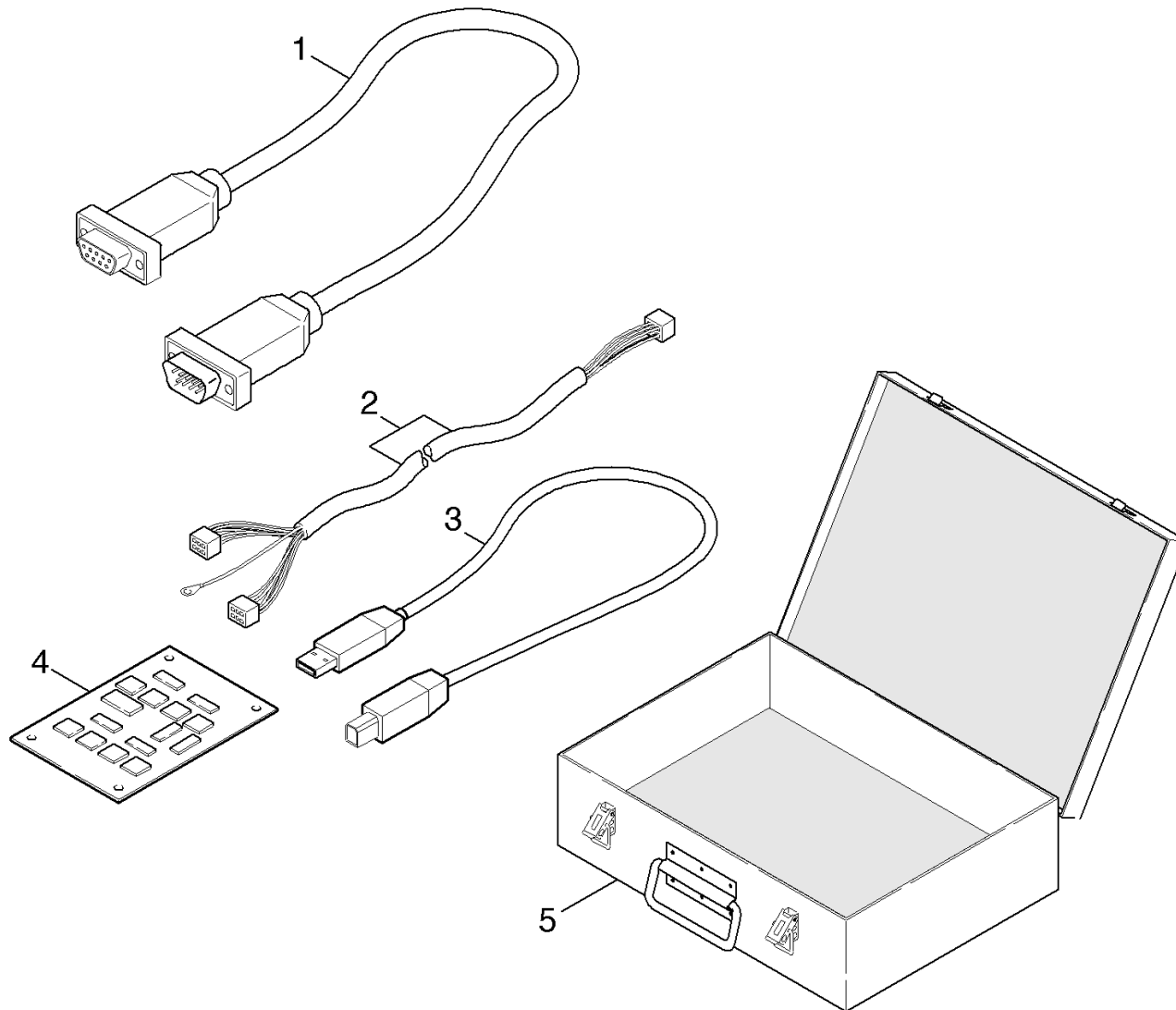
POS	DESCRIPTION ADDITIONAL INFORMATIONS	PART NO	QTY.	FROM SER.NR.	UP TO SER. NR.
1	Covering cap electronics BAT/PACK Dose	50329010	1		
2	Screw 5x16 -10.9-P2R (K-In6Rd)	73031070	7		
3	Sheet metal component bracket cleaning a	50097210	1		
4	Quick-fastener	63431470	1		
5	Elbow screw connector	63865750	1		
6	Cover cleaning agents	50642970	1		
7	Cable tape	66414630	1		
8	Filter with weight	57316090	1		
9	Hexagonal head screw M 5x16-8.8-A2E IS	73043720	4		
	VERSION 1				
10	Washer 5-200HV-A3E ISO 7090	73120020	8		
	VERSION 1				
11	Hexagon nut M 5-04-A2E ISO 10511	73114210	4		
	VERSION 1				
12	Cable tape 8-210	66414740	2		
13	Spiral hose	63908920	1		
	TO ORDER AS CUT GOODS				
14	Flowmetre	64290380	1		
15	Hose clip	63738760	1		
16	T-Piece 12-6-12	63951880	1		
17	Plate flowmetre	50050000	1		
18	Screw 4x12 -10.9-R2R (IN6RD)	73031060	2		
19	Hose clip	63899240	4		
20	Hose chemistry DN 6	63913410	1		
	TO ORDER AS CUT GOODS				
21	Cable clamp	66414600	1		
22	Sheet metal component fixing dosing pump	50578580	1		
23	Cylinder head screw M8x16 -8.8-A2E ISO4	73060400	2		
24	Dosing pump connection DN6	67622050	1		
25	Hose dosing pump only for replacement	54435560	1		
26	Label switch yellow	53912270	1		
27	Switch chemistry	66324000	1		

9.2 RM metering

VERSION 2

POS	DESCRIPTION ADDITIONAL INFORMATIONS	PART NO	QTY.	FROM SER.NR.	UP TO SER. NR.
28	Cable tape 8-210	66414740	2		
29	Sheet metal component support cleaning a VERSION 1	50097220	1		
30	Spring clip X130-8L	63304100	2		
31	Blind rivet 3,0	63150430	2		
32	Sheet metal component support cleaning a VERSION 2	51005820	1		
33	Screw 6x20 -10.9-R2R (In6Rd) VERSION 2	73031120	2		

10.0 Service module



10.0 Service module

POS	DESCRIPTION ADDITIONAL INFORMATIONS	PART NO	QTY.	FROM SER.NR.	UP TO SER. NR.
1	D-SUB Data cable nine-pole plug-jack	66003380	1		
2	Test cable service module	48225260	1		
3	USB-Cable	66003370	1		
4	Service module	66828950	1		
5	Case with cellular plastics inserts	68000010	1		