

KÄRCHER® *KP Pump Series*

FEATURES

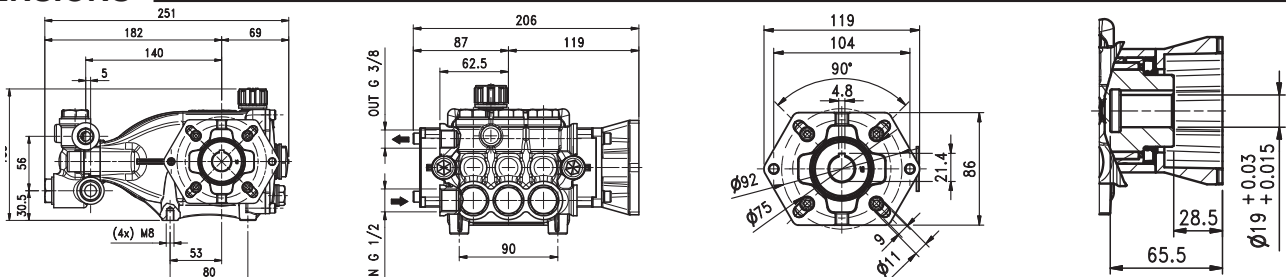
- Designed and engineered exclusively for Kärcher pressure washers.
- Seven year limited warranty.
- NEW** • Forged brass manifold with FEA computer enhanced design to increase strength in critical areas.
- NEW** • Die cast aluminum crackcase with extended piston rod guides for long seal life.
- NEW** • Die cast aluminum connecting rods with extended length and size.
- NEW** • Mirror finish ceramic plungers with increased thickness to resist thermal shock and corrosion.
- Industrial duty ball bearings.
- Stainless steel inlet and discharge valve assemblies.
- Forged valve caps with recessed O-rings to withstand leakage at high pressures.
- Dacromet® coated manifold bolts for extra corrosion resistance.
- U-Seal packing assembly for long life and temperature resistance.
- Flanged for direct coupling to a gasoline engine with 3/4" shaft (SAE J609)



SPECIFICATIONS

PUMP MODEL	KP2535G	KP3035G
Part Number	8.923-785.0	8.923-786.0
Maximum Volume (GPM)	2.5	3.0
Max. Discharge Pressure (PSI)	3500	
Maximum Pump Speed	3400	
Maximum Inlet Pressure	125 PSI	
Maximum Inlet Vacuum	9 ft. water (7.9 in. HG)	
Bore	14 mm	
Stroke	7.6 mm	9.2 mm
Crankcase Oil Capacity	13.5 oz	
Maximum Fluid Temperature	185° F	
Inlet Port Thread	1/2" BSP	
Discharge Port Thread	3/8" BSP	
Shaft Diameter x Shaft Length	3/4" Hollow	
Weight	16.75 lbs	
Dimensions (L x W x H)	9.88 x 8.11 x 5.31 in.	

DIMENSIONS



KÄRCHER • USA

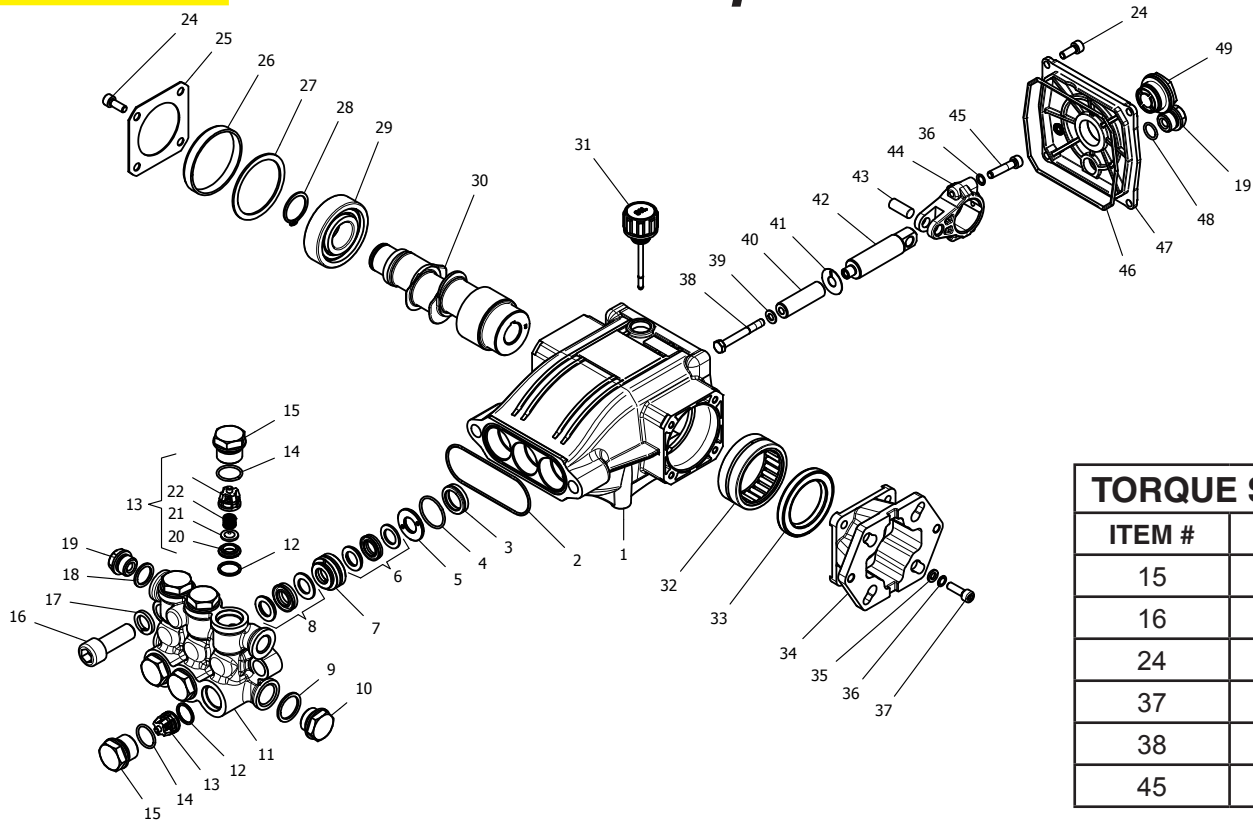
Phone: 1-888-805-9852 or visit our web page at www.karcher.com

9.803-387.0 • Rev. 2/17

CLICK TO ORDER PARTS



KÄRCHER® KP Series Pump



TORQUE SPECS	
ITEM #	FT. LBS.
15	65
16	66
24	8
37	10
38	10
45	10

PARTS LIST

ITEM	PART NO.	DESCRIPTION	QTY	ITEM	PART NO.	DESCRIPTION	QTY	ITEM	PART NO.	DESCRIPTION	QTY
1	8.754-841.0	Crankcase	1	18	9.803-198.0	Washer, Copper G3/8	1	35	9.803-210.0	Washer	4
2	8.754-846.0	O-ring Ø1.78 X 72.75	1	19	8.707-262.0	Plug, Brass G3/8	1	36	9.803-218.0	Washer 6mm	10
3*	See Kits Below	Plunger Oil Seal	3	20*	See Kits Below	Valve Seat	6	37	8.752-824.0	Screw, M6 x 20	4
4*	See Kits Below	O-ring Ø1.78 X 26.7	3	21*	See Kits Below	Valve Plate	6	38*	8.754-855.0	Bolt, Plunger	3
5*	See Kits Below	Washer, Pressure Ring 14 mm	3	22*	See Kits Below	Valve Spring	6	39*	8.754-092.0	Spacer, Copper	3
6*	See Kits Below	U-Seal, 14 mm	3	23*	See Kits Below	Valve Cage	6	40*	8.754-849.0	Plunger, 14 mm	3
7*	See Kits Below	Pressure Ring, 14 mm	3	24	9.802-939.0	Screw, M6 X 16	12	41*	9.803-962.0	Spacer, Copper	3
8*	See Kits Below	U-Seal, 14 mm	3	25	8.717-137.0	Bearing Cover	2	42	8.754-827.0	Plunger Rod	3
9	9.803-199.0	Washer, Copper G1/2	1	26	9.803-954.0	Bearing Seal	1	43	9.803-965.0	Connecting Rod Pin	3
10	9.802-926.0	Plug, Brass G1/2	1	27	8.754-843.0	Seal Spacer, Crankshaft	1	44	9.803-966.0	Connecting Rod	3
11	8.754-853.0	Manifold	1	28	9.802-914.0	Snap Ring, 25 mm	1	45	8.933-020.0	Screw, Connecting Rod	6
12*	8.717-233.0	O-ring Ø1.78 X 15.6	6	29	9.803-955.0	Bearing, Ball	1	46	8.754-847.0	O-ring Ø2.62 X 111.62	1
13*	See Kits Below	Valve Assembly	6	30	8.754-831.0	Shaft, 3/4" Hollow 2535G	1	47	8.754-842.0	Cover, Crankcase	1
14*	9.803-948.0	O-ring Ø1.78 X 18.77	6		8.754-834.0	Shaft, 3/4" Hollow 3035G	1	48	9.803-906.0	O-ring Ø1.78 X 14	1
15	9.803-949.0	Valve Plug	6	31	8.754-219.0	Oil Dipstick	1	49	9.803-202.0	Sight Glass, G3/4	1
16	8.754-854.0	Bolt, Manifold M14 x 40	2	32	8.754-840.0	Bearing Needle	1				
17	8.754-850.0	Washer, Lock	2	33	8.754-826.0	Seal, Crankshaft	1				
				34	8.754-863.0	Flange, Engine	1				

* Available in kit (See below)

REPAIR KITS

KIT NUMBERS	8.754-860.0	8.754-861.0	8.754-862.0	8.754-859.0	9.803-937.0
KIT DESCRIPTION	Plunger Seals 14 mm	Seal Packing 14 mm	Plunger 14 mm	Complete Valve	Plunger Oil Seals
ITEM NUMBERS INCLUDED	4, 6, 8	4, 5, 6, 7, 8	38, 39, 40, 41	12, 13, 14	3
NUMBER OF CYLINDERS KIT WILL SERVICE	3	1	1	6	3