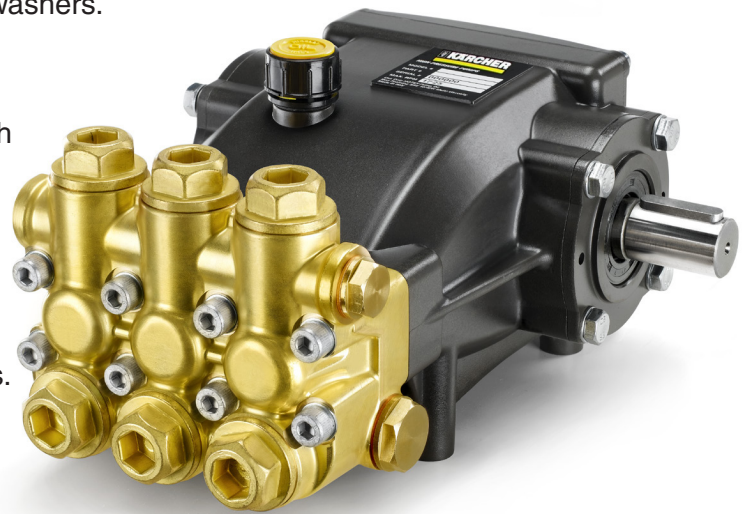


FEATURES

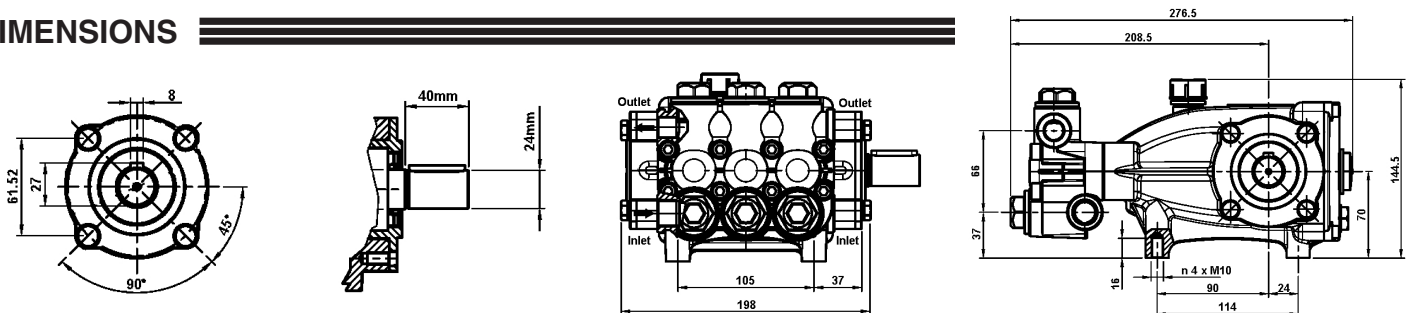
- Designed and engineered exclusively for pressure washers.
- Seven year limited warranty.
- Forged brass manifold.
- Large capacity, die-cast, anodized aluminum oil-bath crankcase with precision rod guide.
- Over-sized connecting rods for maximum life.
- Heavy-duty tapered roller bearing.
- Solid ceramic plungers with mirror finish and corrosion resistance.
- Stainless steel inlet and discharge valve assemblies.
- Forged valve caps with recessed O-rings to withstand high pressures..
- Dacromet® coated manifold bolts for extra corrosion resistance.
- Parker U-Seals for long life performance.



SPECIFICATIONS

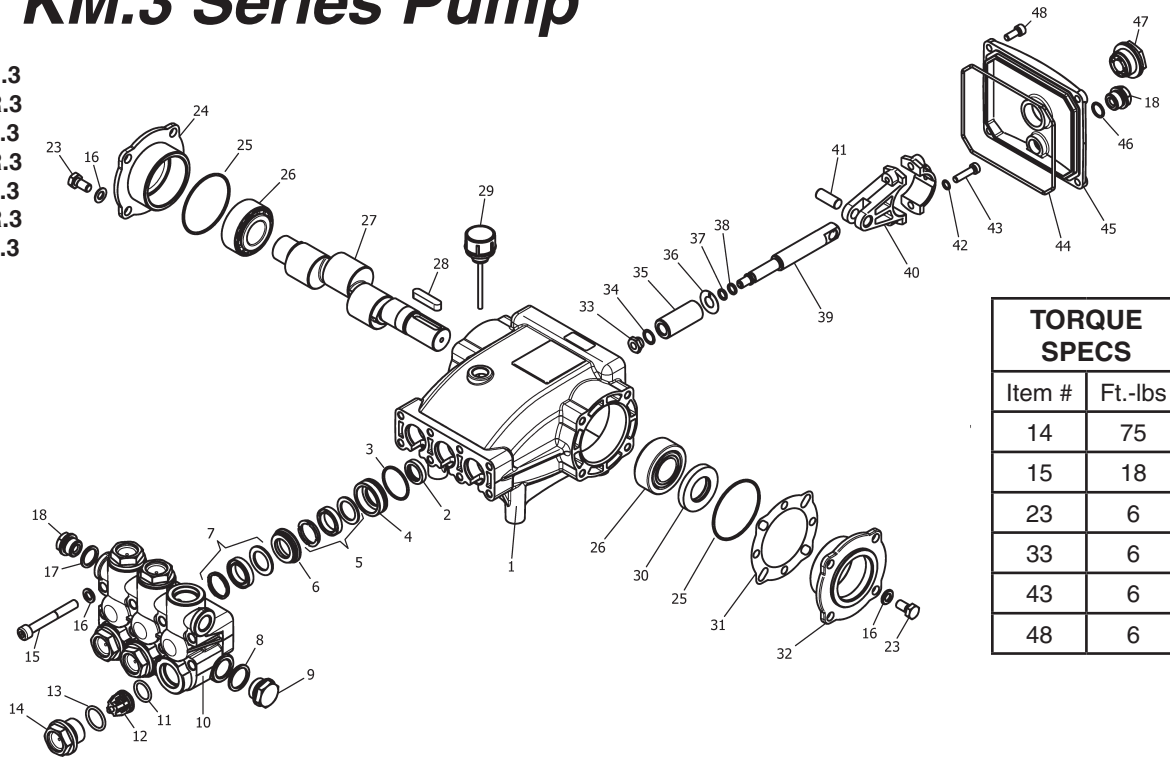
PUMP MODEL	KM3540.3	KM4030.3	KM4035.3	KM5030.3
Maximum Volume (GPM)	3.5	4	4.8	5.1
Max. Discharge Pressure (PSI)	4000	3000	3500	3000
Maximum Pump Speed	1850	1000	1500	1550
Maximum Inlet Pressure	125 PSI			
Maximum Inlet Vacuum	9 ft. water (7.9 in. HG)			
Bore	15 mm	20 mm	18 mm	20 mm
Stroke	14.3 mm	17mm	17 mm	14.3 mm
Crankcase Oil Capacity	23.6 oz.b SAE 20/40W			
Maximum Fluid Temperature	185° F			
Inlet Port Thread	1/2-14 BSPP-F			
Discharge Port Thread	3/8-19 BSPP-F			
Shaft Diameter	24 mm			
Weight	22 lbs			
Dimensions (LxWxH)	11 x 8.8 x 5.7 in.			

DIMENSIONS



KM.3 Series Pump

- 8.751-186.0 KM3540R.3
- 8.751-187.0 KM4030R.3
- 8.751-188.0 KM4030L.3
- 8.751-189.0 KM4035R.3
- 8.751-190.0 KM4035L.3
- 8.751-191.0 KM5030R.3
- 8.751-192.0 KM5030L.3



TORQUE SPECS	
Item #	Ft.-lbs
14	75
15	18
23	6
33	6
43	6
48	6

PARTS LIST

ITEM	PART NO.	DESCRIPTION	QTY	ITEM	PART NO.	DESCRIPTION	QTY	ITEM	PART NO.	DESCRIPTION	QTY
1	8.751-216.0	Crankcase	1	23	9.802-944.0	Screw, Hex, 8mm x18mm	8	36*	See Kits Below	Copper Spacer	3
2*	See Kits Below	Plunger Oil Seal	3					37*	See Kits Below	O-Ring Ø1.78 x 7.66	3
3*	See Kits Below	O-Ring Ø1.78 x 31.47	3	24	8.717-210.0	Closed Bearing Housing	1	38*	See Kits Below	Teflon Ring	3
4*	See Kits Below	Pressure Ring	3	25	9.803-192.0	O-Ring Ø1.78 x 60.05	2	39	8.751-224.0	Plunger Rod (4030,4035) (5030)	3
5*	See Kits Below	U-Seal	3	26	8.933-011.0	Tapered Roller Bearing 2	2		8.751-225.0	Plunger Rod (3540)	3
6*	See Kits Below	Intermediate Ring	3	27	8.751-222.0	Crankshaft (5030,3540)	1	40	9.803-158.0	Connecting Rod	3
7*	See Kits Below	U-Seal	3		8.751-223.0	Crankshaft (4030, 4035)	1	41	8.751-228.0	Connecting Rod Pin	3
8	9.803-199.0	Washer, Copper	1	28	9.803-167.0	Crankshaft Key	1	42	9.803-218.0	Spring Washer	6
9	9.802-926.0	Plug, Brass 1/2	1	29	9.802-921.0	Oil Dip Stick	1	43	9.803-238.0	Connecting Rod Screw	6
10	8.751-218.0	Manifold Head	1	30	9.803-140.0	Crankshaft Seal	1	44	8.933-016.0	O-Ring, Ø2.62 x 126.67	1
11*	See Kits Below	O-Ring Ø2.62 x 17.13	6	31	9.803-178.0	Shim	2	45	8.751-229.0	Crankcase Cover	1
12*	See Kits Below	Valve Assembly	6	32	8.717-209.0	Bearing Housing	1	46	9.803-197.0	O-Ring, Ø1.78 x 14	1
13*	See Kits Below	O-Ring Ø2.62 x 20.29	6	33*	See Kits Below	Plunger Nut, M8	3	47	9.803-202.0	Sight Glass 3/4	1
14	9.802-928.0	Valve Plug	6	34*	See Kits Below	Copper Spacer	3	48	9.802-939.0	Cover Screw	5
15	9.802-938.0	Manifold Stud Bolt	8	35*	See Kits Below	Plunger (4035)	3				
16	9.802-884.0	Washer	16		See Kits Below	Plunger (4030, 5030)	3				
17	9.803-198.0	Copper Washer 3/8	1		See Kits Below	Plunger (3540)	3				
18	9.802-925.0	Brass Plug 3/8	1								

* Available in kit (See below)

REPAIR KITS

REPAIR KIT NO.	8.725-360.0	8.725-362.0	8.725-358.0	8.725-361.0	8.725-363.0	8.725-359.0	8.751-237.0	8.751-238.0	8.933-023.0	9.802-603.0	9.802-609.0
KIT DESCRIPTION	Plunger Seal 4035 18mm	Plunger Seal 4030 20mm	Plunger Seal 3540 15mm	Complete Seal Packing 4035 18mm	Complete Seal Packing 4030 20mm	Complete Seal Packing 3540 15mm	Plunger 4035 18mm	Plunger 4030 20mm	Plunger 3540 15mm	Complete Valve	Plunger Oil Seals
ITEM NUMBERS INCLUDED	3, 5, 7	3, 5, 7	3, 5, 7	3, 4, 5, 6, 7	3, 4, 5, 6, 7	3, 4, 5, 6, 7	33, 34, 35, 36, 37, 38	33, 34, 35, 36, 37, 38	33, 34, 35, 36, 37, 38	11, 12, 13	2
NO. OF CYLINDERS KIT WILL SERVICE	3	3	3	1	1	1	1	1	1	6	3