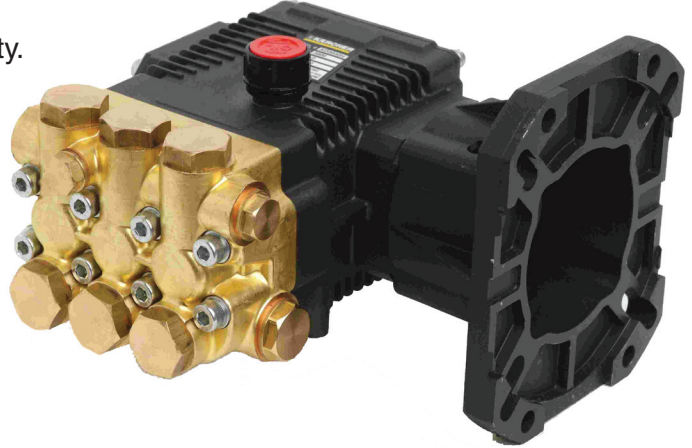


FEATURES

- Designed and engineered for pressure washers.
- Seven year limited warranty.
- Forged brass manifold with an exclusive lifetime warranty.
- Die-cast, anodized aluminum oil-bath crankcase.
- Aluminum two piece connecting rods with lubrication channel and forged crankshaft for maximum life.
- Heavy-duty crankshaft bearing.
- Solid ceramic plungers with mirror finish and corrosion resistance.
- Long life seals.
- Stainless steel inlet and discharge valve assemblies.
- Forged valve caps with recessed O-rings to withstand high pressures.
- Dacromet® coated manifold bolts for superior corrosion resistance.
- Precision oil dipstick for proper ventilation of crankcase.
- Flanged for direct couple to gasoline engines with 1" shaft (SAE J609)



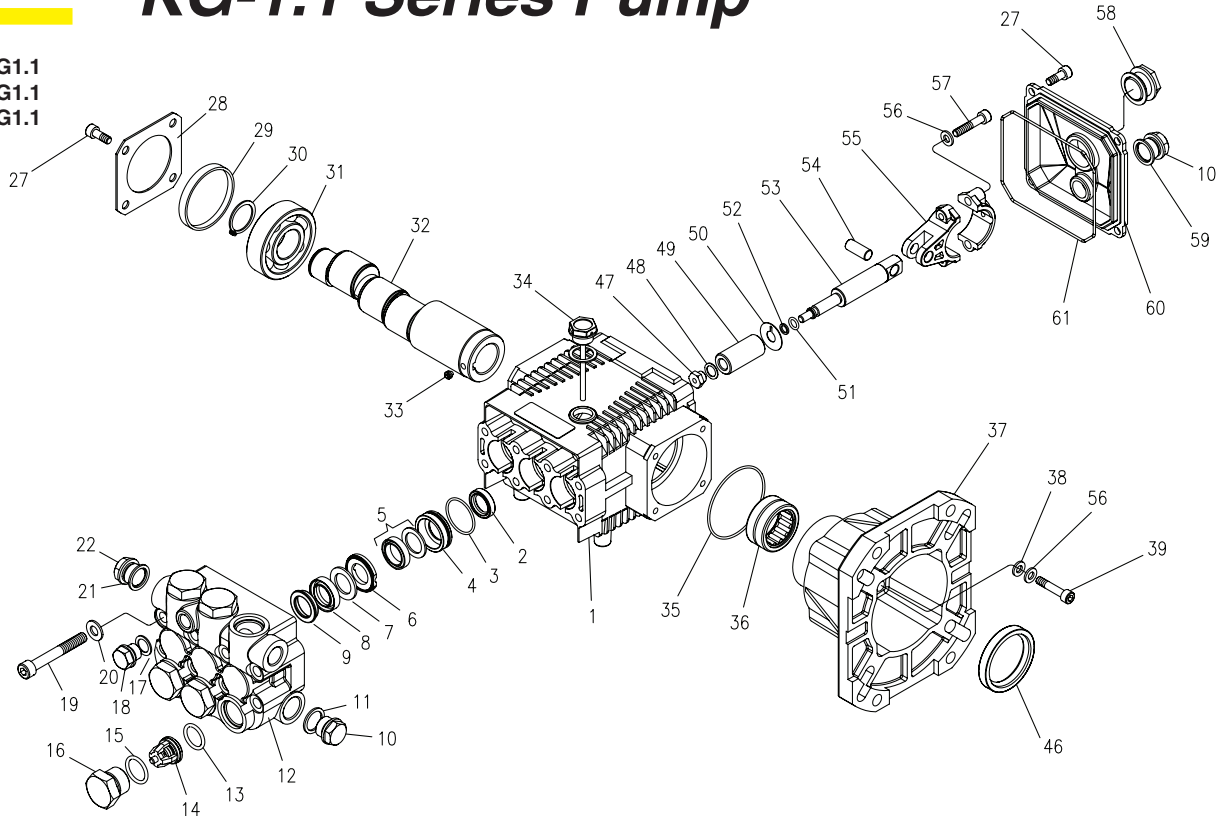
SPECIFICATIONS

PUMP MODEL	KG3035G1.1	KG3535G1.1	KG4030G1.1
Maximum Volume (GPM)	3	3.5	4
Max. Discharge Pressure (PSI)	3500	3500	3000
Maximum Pump Speed	3400	3400	3400
Maximum Inlet Pressure	125 psi		
Maximum Inlet Vacuum	Flooded		
Bore	15 mm	15 mm	15 mm
Stroke	7.8 mm	9.2 mm	10.0 mm
Crankcase Oil Capacity	14 oz.		
Maximum Fluid Temperature	185°F		
Inlet Port Thread	1/2-14 BSPP-F		
Discharge Port Thread	3/8-19 BSPP-F		
Shaft Diameter	1" Hollow		
Weight	18 lbs.		
Dimensions (LxWxH)	8.5 x 9.5 x 6.5 in.		

KG-1.1 Series Pump

9.803-819.0 KG3035G1.1
 9.803-820.0 KG3535G1.1
 9.803-821.0 KG4030G1.1

TORQUE SPECS	
Item #	Ft.-lbs
16	65
19	18
27	7.6
39	8
47	7
57	13



PARTS LIST

ITEM	PART NO.	DESCRIPTION	QTY	ITEM	PART NO.	DESCRIPTION	QTY	ITEM	PART NO.	DESCRIPTION	QTY
1	9.803-938.0	Crankcase	1	19	9.803-952.0	Manifold Stud Bolt	8	39	8.933-020.0	Flange Screw	4
2*	See Kit Below	Plunger Oil Seal	3	20	9.802-884.0	Washer	8	46	9.803-142.0	Crankshaft Seal	1
3*	See Kit Below	O-Ring Ø1.78 x 31.47	3	21	9.803-198.0	Copper Washer 3/8"	1	47*	See Kit Below	Plunger Nut	3
4*	See Kit Below	Pressure Ring, 15mm	3	22	9.802-925.0	Brass Plug 3/8"	2	48*	See Kit Below	Copper Washer	3
5*	See Kit Below	U Seal Assy, 15mm	3	27	9.802-939.0	Hexagonal Screw	9	49*	See Kit Below	Plunger, 15mm	3
6*	See Kit Below	Intermediate Ring 15mm	3	28	9.803-953.0	Bearing Cover	1	50*	See Kit Below	Copper Spacer	3
7*	See Kit Below	Backup Ring, 15mm	3	29	9.803-954.0	Seal Bearing	1	51*	See Kit Below	O-Ring Ø1.78x5.28	3
8*	See Kit Below	U-Seal Assy, 15mm	3	30	9.802-914.0	Snap Ring	1	52*	See Kit Below	Teflon Ring	3
9*	See Kit Below	Support Ring 15mm	3	31	9.803-955.0	Ball Bearing	1	53	9.803-964.0	Plunger Rod	3
10	9.802-926.0	Brass Plug, 1/2"	1	32	8.730-825.0	Crankshaft (3035G1)	1	54	9.803-965.0	Connecting Rod Pin	3
11	9.803-199.0	Copper Washer 1/2"	1		8.730-826.0	Crankshaft (3535G1)	1	55	9.803-966.0	Connecting Rod	3
12	9.803-946.0	Manifold Housing	1		8.730-827.0	Crankshaft (4030G1)	1	56	9.803-218.0	Spring Washer	10
13*	9.803-947.0	O-Ring Ø1.78 x 15.54	6	33	9.802-945.0	Set Screw	1	57	8.933-020.0	Connecting Rod Screw	6
14*	See Kit Below	Valve Assembly	6	34	9.803-957.0	Oil Dip Stick	1	58	9.803-202.0	Sight Glass, G3/4	1
15*	9.803-948.0	O-Ring Ø2.62 x 18.77	6	35	9.804-581.0	O-Ring 3.53 x 55.56	1	59	9.803-197.0	Gasket, G3/4	1
16	9.803-949.0	Valve Plug	6	36	9.803-161.0	Needle Roller Bearing	1	60	9.803-968.0	Crankcase Cover	1
17	9.803-950.0	Washer, Copper	1	37	9.803-183.0	Engine Flange	1	61	9.803-969.0	O-Ring 2.62 x 107.62	1
18	9.803-951.0	Brass Plug G1/4	1	38	9.803-210.0	Spring Washer	4				

* Part available in kit (See below)

REPAIR KITS

REPAIR KIT NUMBER	8.725-354.0	8.725-355.0	9.803-934.0	9.803-936.0	9.803-937.0
KIT DESCRIPTION	Plunger Seal 15mm	Complete Seal Packing 15mm	Plunger 15mm	Complete Valve	Plunger Oil Seals
ITEM NUMBERS INCLUDED	3, 5, 7, 8, 9	3, 4, 5, 6, 7, 8, 9	47, 48, 49, 50, 51, 52	13, 14, 15	2
NUMBER OF CYLINDERS KIT WILL SERVICE	3	1	1	6	3