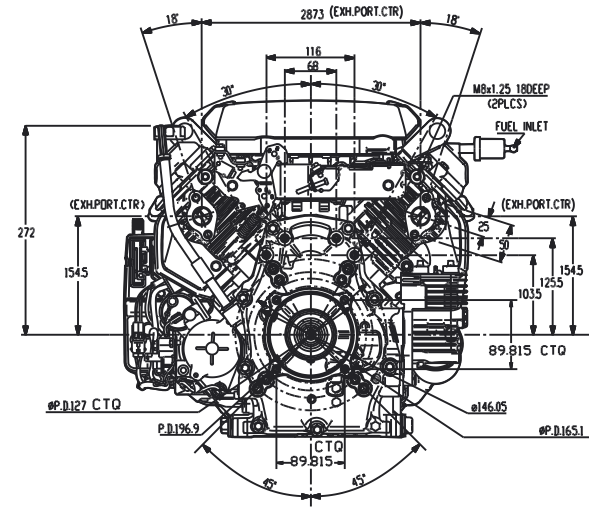
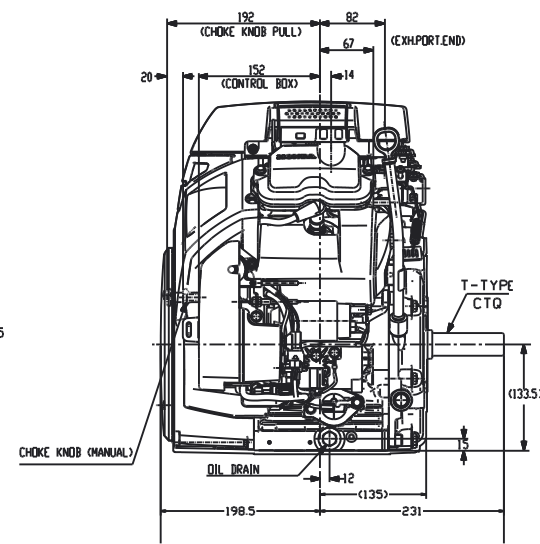
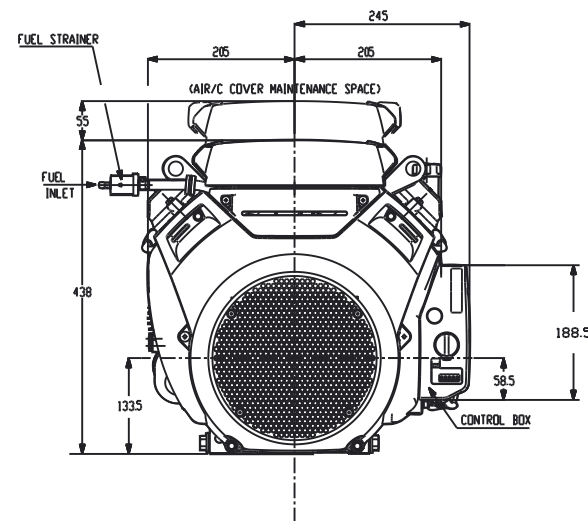


REVISION

REV	DESCRIPTION	ECR	REV BY	DATE
A	RELEASE FOR PRODUCTION	5015490	JGG	06-16-12
B	NOTES WERE ADDED	5028453	JRRM	03-08-17
C	UPDATE DRAWING	5030282	CRG	11-07-17



SPECIFICATIONS:

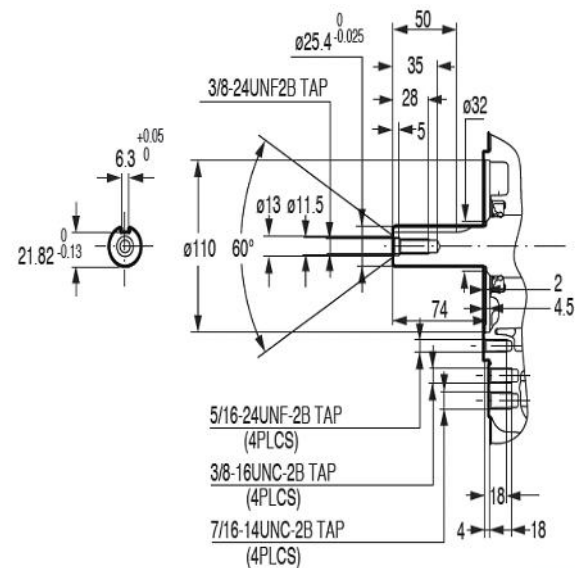
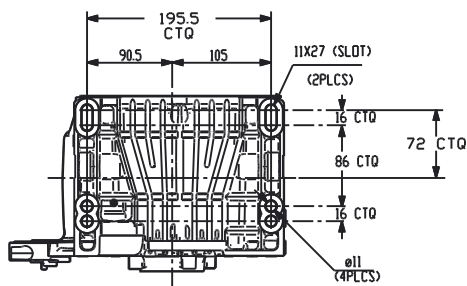
MODEL: GX630RHQXF NO THROTTLE
 ENGINE TYPE: AIR-COOLED 4-STROKE OHV PETROL ENGINE,
 90° V-TWIN DESIGN, HORIZONTAL SHAFT
 BORE X STROKE 2/78 X 72 MM

DISPLACEMENT: 688 CM3
 COMPRESSION RATIO: 9.3:1
 NET POWER: 115.5 KW (20.8 HP)/ 3,600 RPM
 CONT. RATED POWER: 10.5 KW (14.1 HP)/3 000 RPM
 12.0 KW (16.1 HP)/3 600 RPM
 MAX NET TORQUE: 48.3 NM/4.93 KGFM/2,500 RPM
 IGNITION SYSTEM: DIGITAL CDI WITH VARIABLE IGNITION TIMING
 CARBURETOR: 2-BARREL CARBURATOR, FUEL CUT SOLENOID
 LUBRICATION SYSTEM: FULL-PRESSURE
 STARTING SYSTEM: ELECTRIC STARTER
 FUEL CONS. AT RATE POWER: 6.0L/HR - 3 600 RPM
 ENGINE OIL CAPACITY: WITHOUT OIL FILTER REPLACEMENT
 1.5 L (1.59 US qt)
 WITH OIL FILTER REPLACEMENT
 1.7 L (1.8 US qt)

DIMENSIONS (L X W X H): 405 X 410 X 438 MM (Q-TYPE)
 DRY WEIGHT: 96.8 LB (44 KG)

NOTES:

5. SPECIFICATIONS AND TOLERANCES ARE SUBJECT TO MANUFACTURER CHANGES
4. FOR MISSING INFORMATION REFER TO SUPPLIER DRAWING
3. VENDOR ITEM CONTROL DRAWING
2. IT MUST CONTAIN SPARK PLUG TOOL
1. IT MUST CONTAIN OWNER'S MANUAL



Q-TYPE



PROPRIETARY & CONFIDENTIAL THE INFORMATION CONTAINED IN THIS DRAWING IS PROPRIETARY AND MAY CONTAIN TRADE SECRETS AND PATENTABLE SUBJECT MATTER WHICH ARE THE EXCLUSIVE PROPERTY OF KÄRCHER NORTH AMERICA. THIS DRAWING IS PROTECTED BY THE COPYRIGHT LAWS OF THE UNITED STATES		KÄRCHER	
TOLERANCES: UNLESS OTHERWISE NOTED INCH .X ± 0.06 .XX ± .03 .XXX ± .060 MILLIMETERS X ± 2 X,X ± 0.8 X,XX ± 2 ≤ ± 1.0°		DESCRIPTION ENGINE HONDA GX630RHQXF NO THROTTLE	
SIZE B	SCALE: NONE	DRAWING NUMBER: 87521490	REV C
DRAWING IS APPROVED BY ELECTRONIC SIGNATURE IN PLM SYSTEM DRAWN BY: JRRM		DATE: 03/08/17	THIRD ANGLE PROJECTION 1 OF 1