

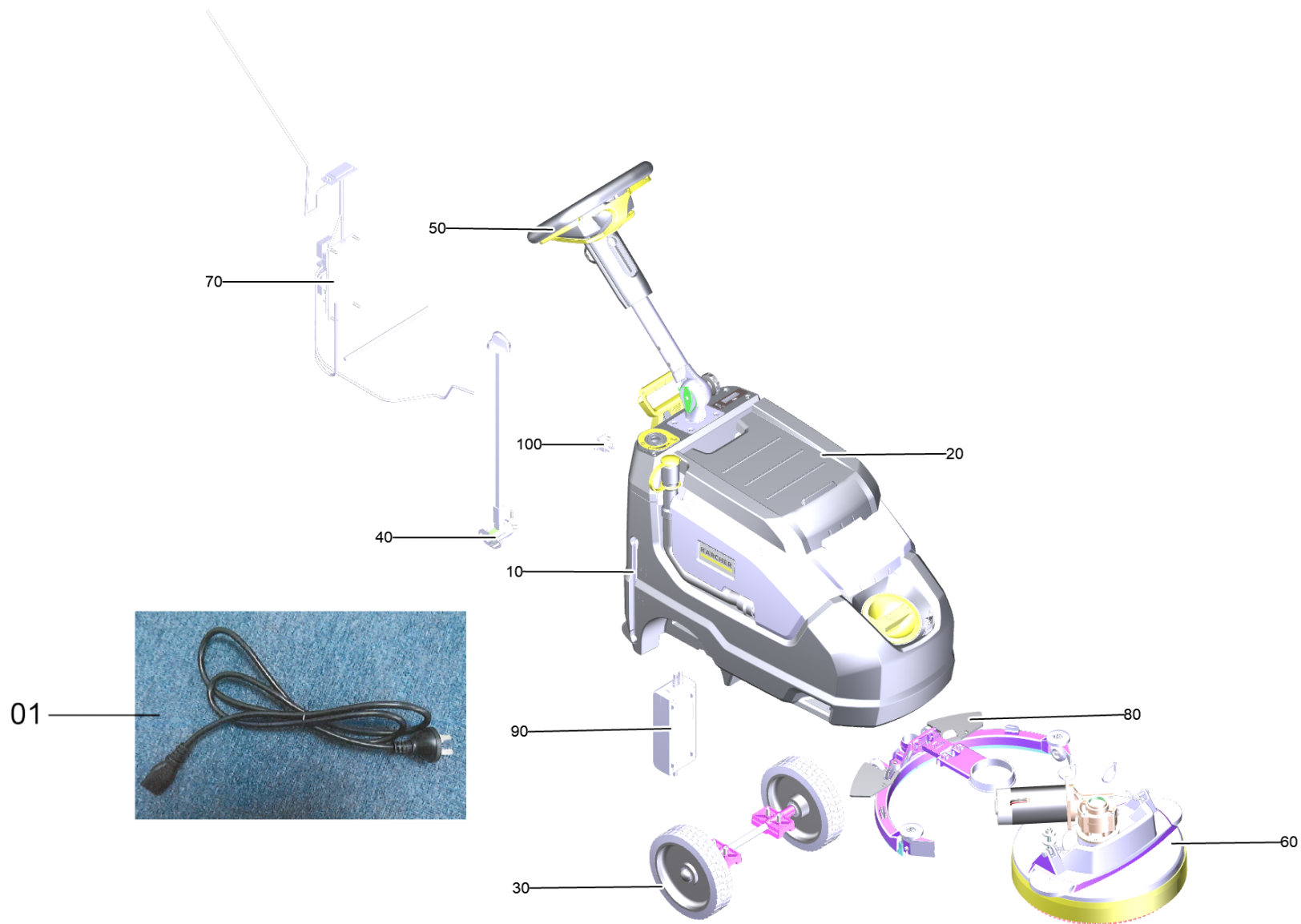
## **Spare parts list**

(1.783-445.0) BD 35/15C Classic BP Pack \*UL

## Table of contents

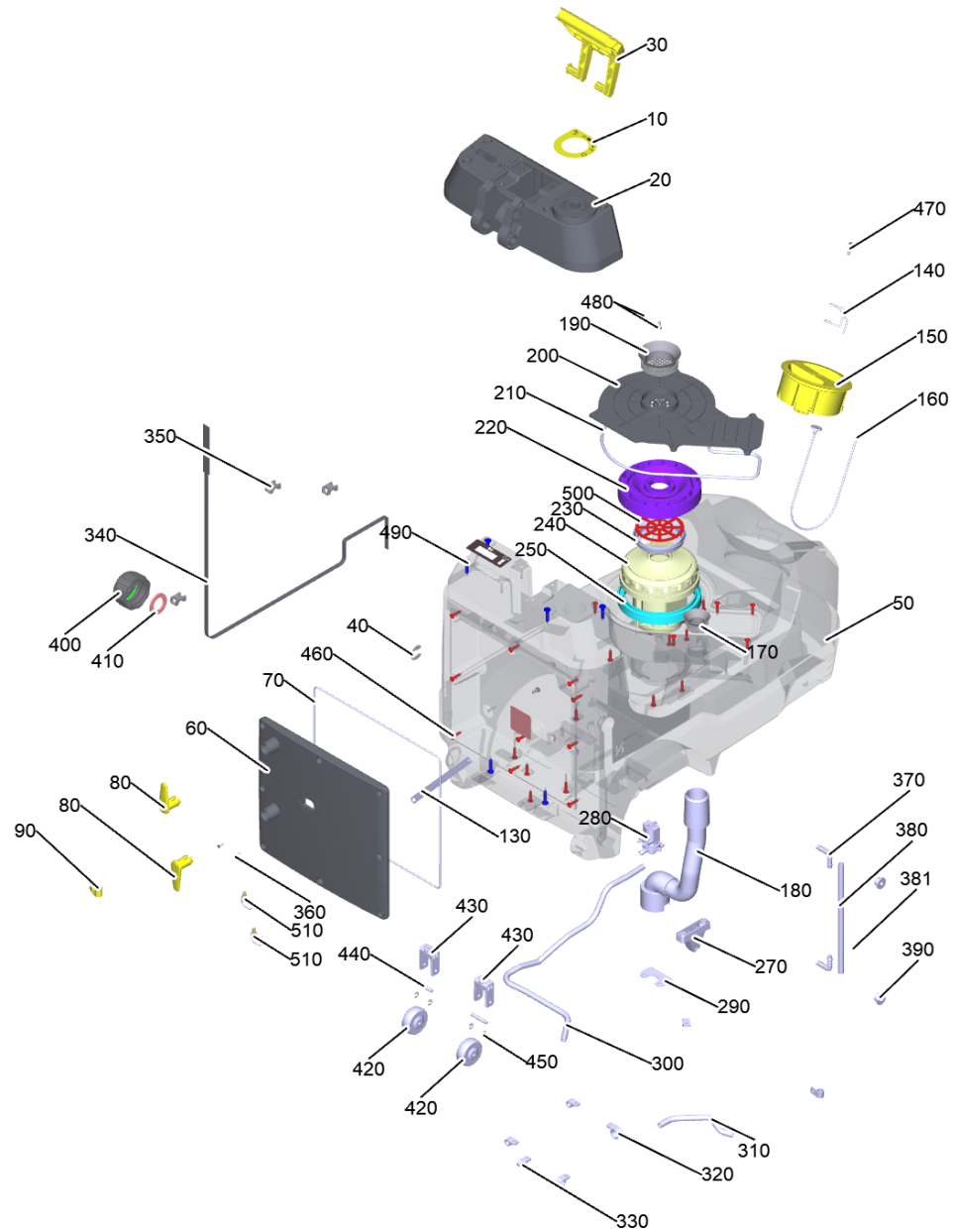
---

BD 35/15C Classic BP Pack *UL (1.783-445.0)	3
10 Fresh water tank complete BD 35/15 (9.753-485.0)	5
20 Joint base Fresh water tank with label for replacement (9.753-531.0)	8
20 Waste water tank complete BD 35/15	9
30 Rear wheel complete (9.753-453.0)	11
40 Ball valve complete (9.753-455.0)	13
50 Steering system complete EU (9.753-542.0)	15
60 Brush-head complete (9.753-457.0)	17
70 Electronics complete BD 35/15 (9.753-499.0)	19
60 Electronics BD35/15 (9.753-513.0)	21
80 Suction bar complete (9.753-500.0)	22



BD 35/15C Classic BP Pack \*UL (1.783-445.0)

POS	Article no.	Description	Quantity	Unit
10	9.753-485.0	Fresh water tank complete BD 35/15	1	PC
20		Waste water tank complete BD 35/15	1	PC
30	9.753-453.0	Rear wheel complete	1	PC
40	9.753-455.0	Ball valve complete	1	PC
50	9.753-542.0	Steering system complete EU	1	PC
60	9.753-457.0	Brush-head complete	1	PC
70	9.753-499.0	Electronics complete BD 35/15	1	PC
80	9.753-500.0	Suction bar complete	1	PC
90	6.654-522.0	BCdesk 24V/5A 100-240V/50-60Hz IEC/EN/UL	1	PC
100	9.772-289.0	Socket	1	PC
140	4.762-696.0	Disk pad 330	1	PC
150	6.654-521.0	Traction battery DryCell AGM 12V/33Ah (C20)	2	PC



10 Fresh water tank complete BD 35/15 (9.753-485.0)

POS	Article no.	Description	Quantity	Unit	Foot note text
10	9.772-250.0	Label water adjustment	1	PC	
20	9.753-531.0	Joint base Fresh water tank with label for replacement	1	PC	
30	9.763-041.0	Lever suction beam retraction	1	PC	
40	9.763-079.0	Lock washer	1	PC	
50	9.772-156.3	Fresh water tank for replacement	1	PC	
60	9.753-532.0	Covering cap electronics with label for replacement	1	PC	
70	6.273-037.0	Seal string cellular rubber 3	1,15	m	TO ORDER AS CUT GOODS
80	9.761-086.0	Catch for cable 5.044-661.0	2	PC	
90	6.647-681.0	Cable clip	1	PC	
130	9.772-267.0	Fixing plate battery charger	1	PC	
140	9.763-425.0	Wire bracket hose	1	PC	
150	9.763-925.0	Cover fresh water metering RM	1	PC	
160	5.035-358.3	Mounting rope cover fresh water tank packed	1	PC	
170	9.772-248.0	Sealing tank	1	PC	
180	9.772-164.0	Suction hose	1	PC	
190	9.763-012.0	Seal turbine strainer	1	PC	
200	9.772-163.0	Cover turbine	1	PC	
210	9.772-176.0	Sealing turbine cover	1	PC	
220	5.400-329.0	Bearing vacuum motor	1	PC	
230	5.363-395.0	Seal	1	PC	
240	6.490-364.0	Blower motor	1	PC	
250	5.400-330.0	Joint ring vacuum motor	1	PC	
270	9.772-247.0	Fixing left brush-head	1	PC	
280	9.772-358.0	Solenoid valve with diaphragm	1	PC	
290	9.772-266.0	Plate solenoid valve	1	PC	
300	9.772-288.0	Hose PVC DN 7mm	0,62	m	
310	9.772-288.0	Hose PVC DN 7mm	0,16	m	
320	9.763-116.0	Cable clamp 16	1	PC	
330	9.772-189.0	Cable clamp 9.5	6	PC	
340	9.772-173.0	Strap suction bar	1	PC	
350	9.772-172.0	Strap guide suction bar	4	PC	
360	6.303-557.0	Screw 3x12 Kombitorx T8	2	PC	
370	9.763-833.0	Elbow nipple	2	PC	

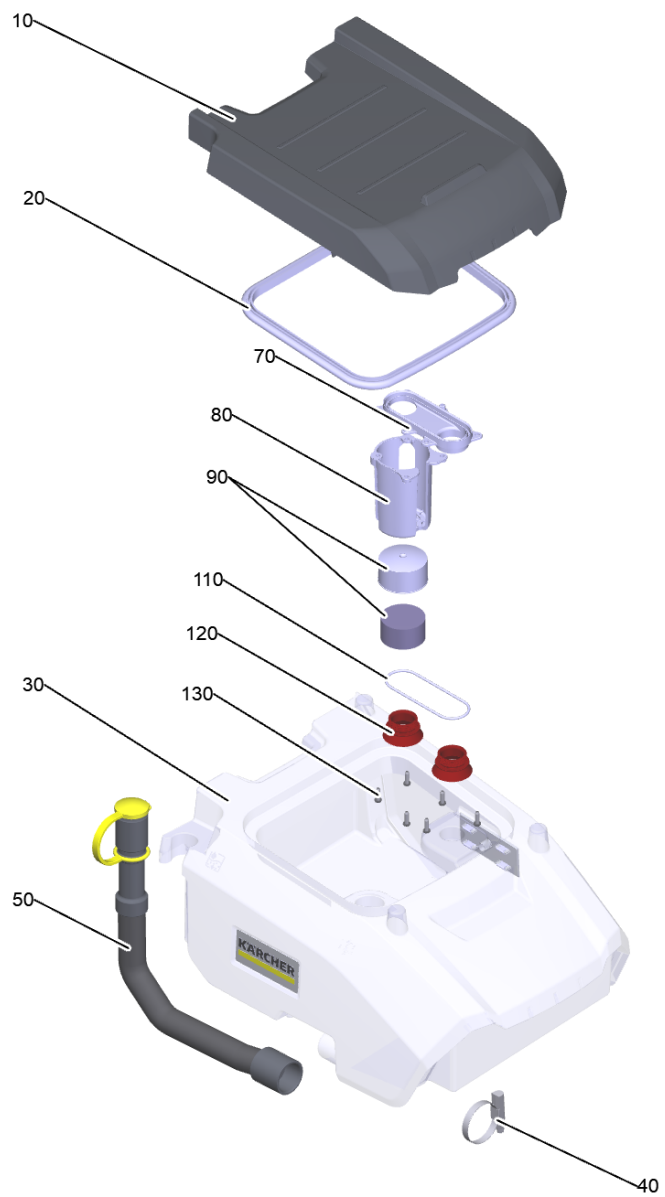
10 Fresh water tank complete BD 35/15 (9.753-485.0)

POS	Article no.	Description	Quantity	Unit	Foot note text
380	9.763-827.0	Silicon hose level indicator	1	PC	
381	6.035-072.0	Sphere level indicator D6	1	PC	
390	5.035-608.0	Wire protecting sleeve	2	PC	
400	9.772-259.0	Screw plug discharge Fresh water tank	1	PC	
410	9.772-260.0	Sealing discharge Fresh water tank	1	PC	
420	9.763-848.0	Wheel D50	2	PC	
430	9.772-251.0	Holder support roller	2	PC	
440	5.039-304.0	Axle support roller	2	PC	
450	7.343-202.0	Lock washer 5-A2 DIN 6799	4	PC	
460	7.303-108.0	Screw 5x20-10.9-R2R (In6Rd)	31	PC	
470	7.303-212.0	Screw 5x20-A2-70 (K-In6Rd)	1	PC	
480	7.303-106.0	Screw 4x12-10.9-R2R (In6Rd)	2	PC	
490	7.303-113.0	Screw 6x25-10.9-R2R (In6Rd)	6	PC	
500	9.772-283.0	Protection part	1	PC	
510	6.650-605.0	Cable tie with clip	2	PC	

20 Joint base Fresh water tank with label for replacement (9.753-531.0)

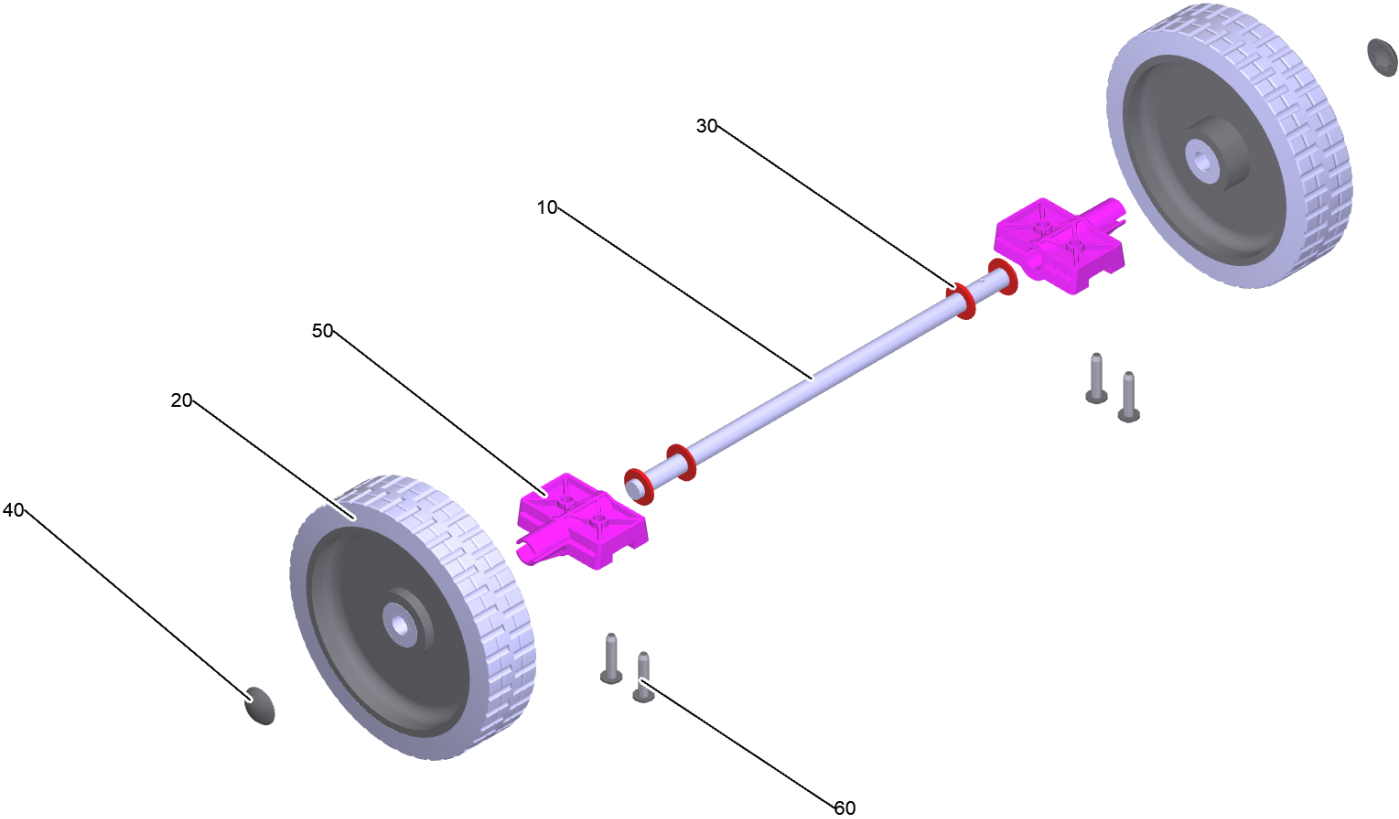
---

<b>POS</b>	<b>Article no.</b>	<b>Description</b>	<b>Quantity</b>	<b>Unit</b>
10	9.772-250.0	Label water adjustment	1	PC
30	9.772-190.0	Label display	1	PC



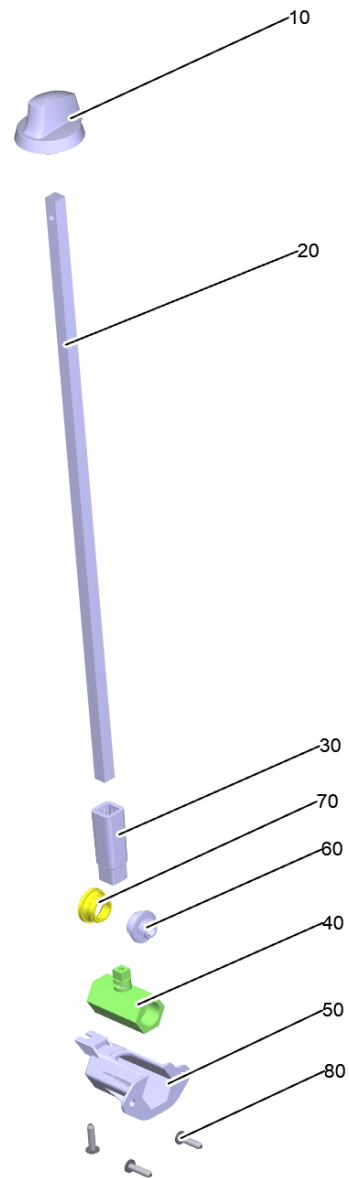
20 Waste water tank complete BD 35/15

POS	Article no.	Description	Quantity	Unit
10	9.772-158.0	Cover waste water tank	1	PC
20	9.772-175.0	Sealing waste water tank	1	PC
30	9.753-533.0	Waste water tank with logo for replacement	1	PC
40	7.373-028.0	Hose clip A-35-50x13-W2-2 DIN3017	1	PC
50	9.753-459.0	Drain hose with cover	1	PC
70	5.037-861.0	Float retainer	1	PC
80	5.037-862.0	Float cage	1	PC
90	4.035-607.0	Float replacement	1	PC
110	6.273-037.0	Seal string cellular rubber 3	0,29	m
120	9.772-248.0	Sealing tank	2	PC
130	7.303-104.0	Screw 5x16 -A2-70 (IN6RD)	6	PC



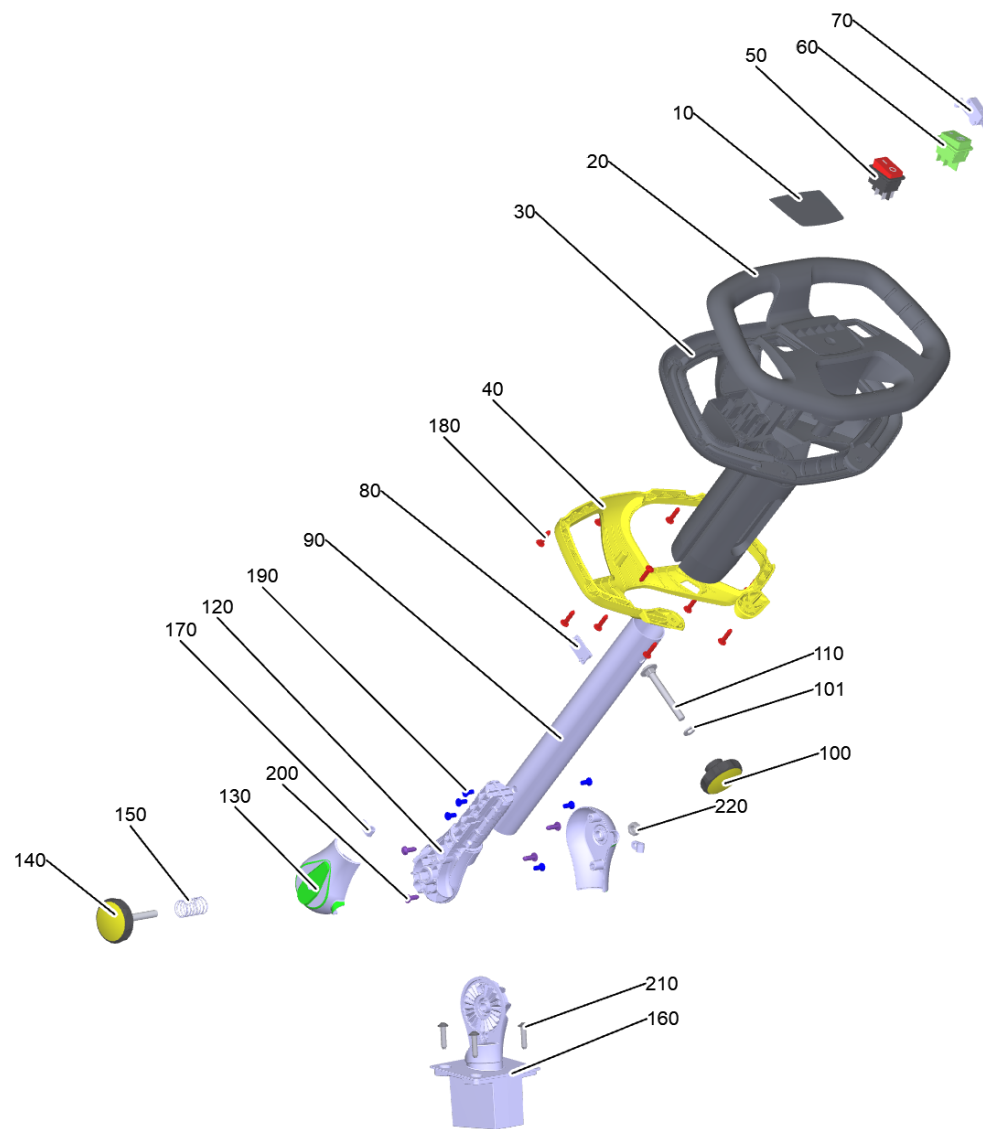
### 30 Rear wheel complete (9.753-453.0)

POS	Article no.	Description	Quantity	Unit
10	9.772-174.0	Rear axle	1	PC
20	9.772-281.0	Wheel for replacement D200	2	PC
30	7.312-028.0	Washer 14-200HV-A2K ISO 7089	4	PC
40	6.343-240.0	Lock washer	2	PC
50	9.753-415.0	Holder axle for replacement	2	PC
	<b>Item text1:</b> successor of 9.763-015.0			
50	9.763-015.0	Holder axle	2	PC
	<b>Item text1:</b> replaced by 9.753-415.0			
60	6.303-315.0	Screw 8 x 35	4	PC



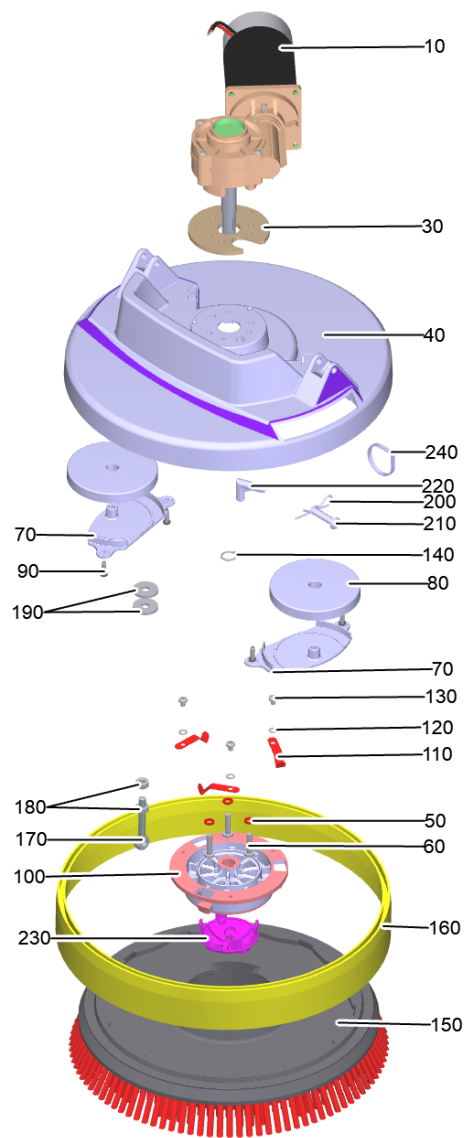
40 Ball valve complete (9.753-455.0)

POS	Article no.	Description	Quantity	Unit
10	5.035-404.0	Handle	1	PC
20	9.772-181.0	Bar ball valve	1	PC
30	5.035-459.0	Coupler piece ball valve	1	PC
40	9.753-417.0	Ball valve G 1/2" for replacement	1	PC
	<b>Item text1:</b> successor of 9.763-084.0			
40	9.763-084.0	Ball valve G 1/2"	1	PC
	<b>Item text1:</b> replaced by 9.753-417.0			
50	9.772-167.0	Holder ball valve	1	PC
60	9.763-907.0	Seal ball valve D12,5	1	PC
70	9.763-739.0	Seal ball valve	1	PC
80	7.303-108.0	Screw 5x20-10.9-R2R (In6Rd)	3	PC



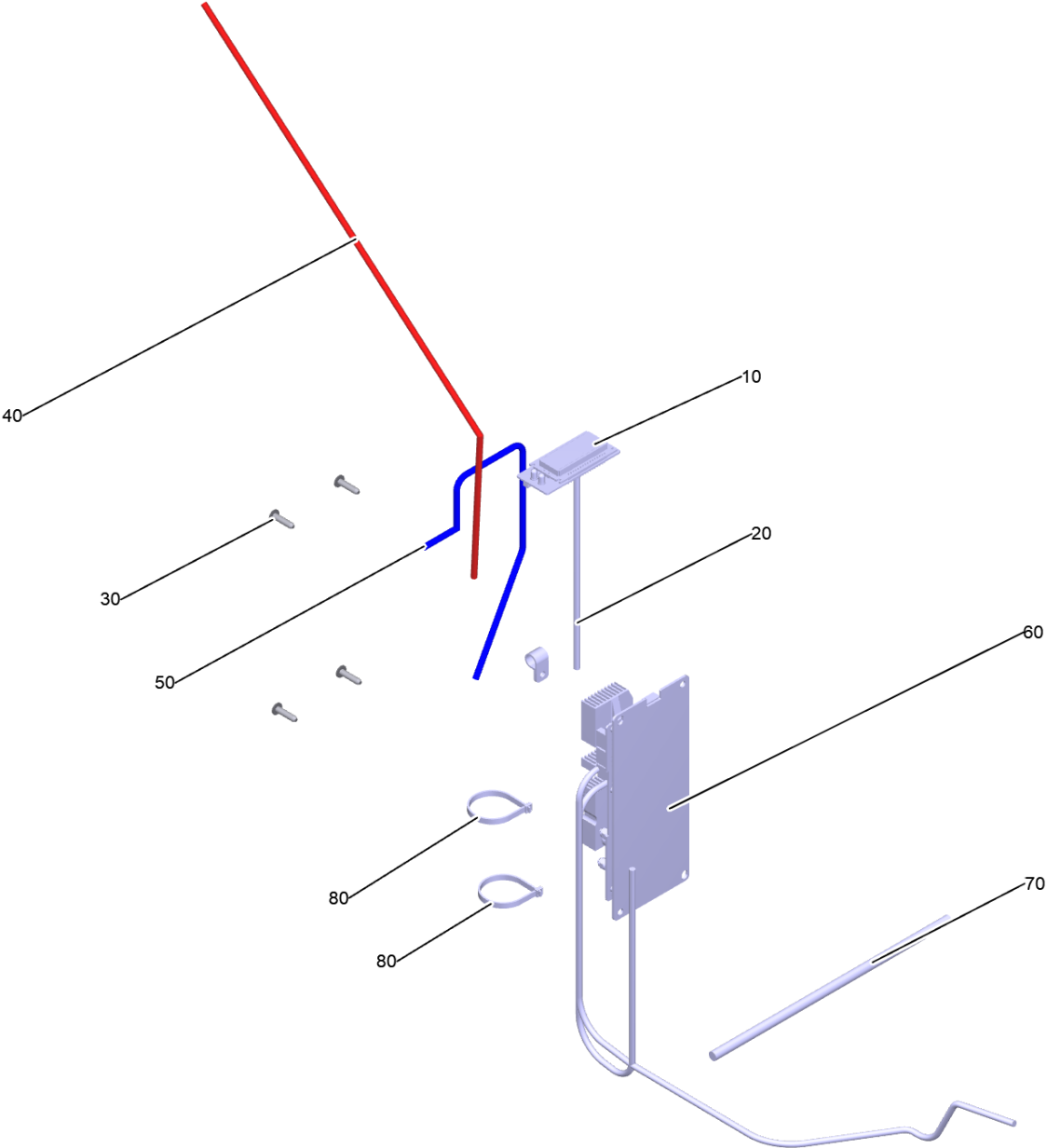
50 Steering system complete EU (9.753-542.0)

POS	Article no.	Description	Quantity	Unit
10	9.772-271.0	Foil control panel	1	PC
20	5.037-294.0	Steering wheel top part	1	PC
30	5.037-293.0	Steering wheel bottom part	1	PC
40	5.037-319.0	Retaining bracket switch	1	PC
50	9.763-926.0	Switch 1/0	1	PC
60	9.772-264.0	Switch Eco	1	PC
70	9.772-263.0	Switch	1	PC
80	5.050-654.0	Retainer micro switch	1	PC
90	9.772-180.0	Handle steering shaft	1	PC
100	9.772-307.0	Turning knob Yellow	1	PC
101	7.312-004.0	Washer 8 -200HV-A3E ISO 7089	1	PC
110	7.303-163.0	Saucer-head screw M8x70 -St-A0P DIN 603	1	PC
120	9.772-294.0	Joint steering pillar worked	1	PC
130	5.037-324.0	Covering cap joint cable gland	2	PC
140	6.321-179.0	Star grip	1	PC
150	5.332-981.0	Pressure spring	1	PC
160	9.772-249.0	Joint Fresh water tank worked	1	PC
170	6.373-343.0	Pipe clamp D 6	2	PC
180	7.303-108.0	Screw 5x20-10.9-R2R (In6Rd)	11	PC
190	7.305-048.0	Countersunk screw M5x12 -A2-70 (In6Rd)	6	PC
200	7.303-107.0	Screw 5x16-10.9-P2R (K-In6Rd)	4	PC
210	7.303-113.0	Screw 6x25-10.9-R2R (In6Rd)	4	PC
220	7.311-004.0	Hexagon nut M8 -8-A3E ISO 4032	1	PC



## 60 Brush-head complete (9.753-457.0)

POS	Article no.	Description	Quantity	Unit
10	6.613-646.3	Motor for replacement 24V	1	PC
30	9.772-296.0	Blank holder	1	PC
40	9.772-162.0	Cover disc	1	PC
50	7.312-026.0	Washer 6 -A2 ISO 7089	3	PC
	<b>Item text1:</b> successor of 6.614-022.0			
60	7.306-195.0	Screw M6x25-A2-70 (In6Rd)	3	PC
70	5.037-378.0	Holder deflector roll	2	PC
80	5.035-499.0	Deflector roll	2	PC
90	7.303-104.0	Screw 5x16 -A2-70 (IN6RD)	4	PC
100	5.122-019.0	Retainer brush worked BD 38/12 40/12	1	PC
110	5.337-033.0	Plate spring	3	PC
120	7.312-041.0	Serrated lock washer A5,3-1.4310 DIN 67	3	PC
130	7.306-213.0	Screw M5x6-A2-70 (In6Rd)	3	PC
140	7.343-015.0	Locking ring 15x1-FST-RF DIN 471	1	PC
150	4.905-034.0	Disc brush red 350 mm	1	PC
160	9.772-169.0	Splash guard PVC	1	PC
170	7.303-162.0	Eye screw LB M8x60-4.6-A2E DIN 444	1	PC
180	7.311-004.0	Hexagon nut M8 -8-A3E ISO 4032	2	PC
190	7.312-261.0	Washer 8-100HV-A3E ISO 7094	2	PC
200	6.313-002.0	Spring clip 2,0	2	PC
210	7.316-000.0	Bolt B 8x35 1.4301 ISO 2341	2	PC
220	9.772-295.0	Adaptor	1	PC
230	5.037-490.0	Guide water D-Kopf	1	PC
240	6.594-709.0	Cable tie	2	PC



70 Electronics complete BD 35/15 (9.753-499.0)

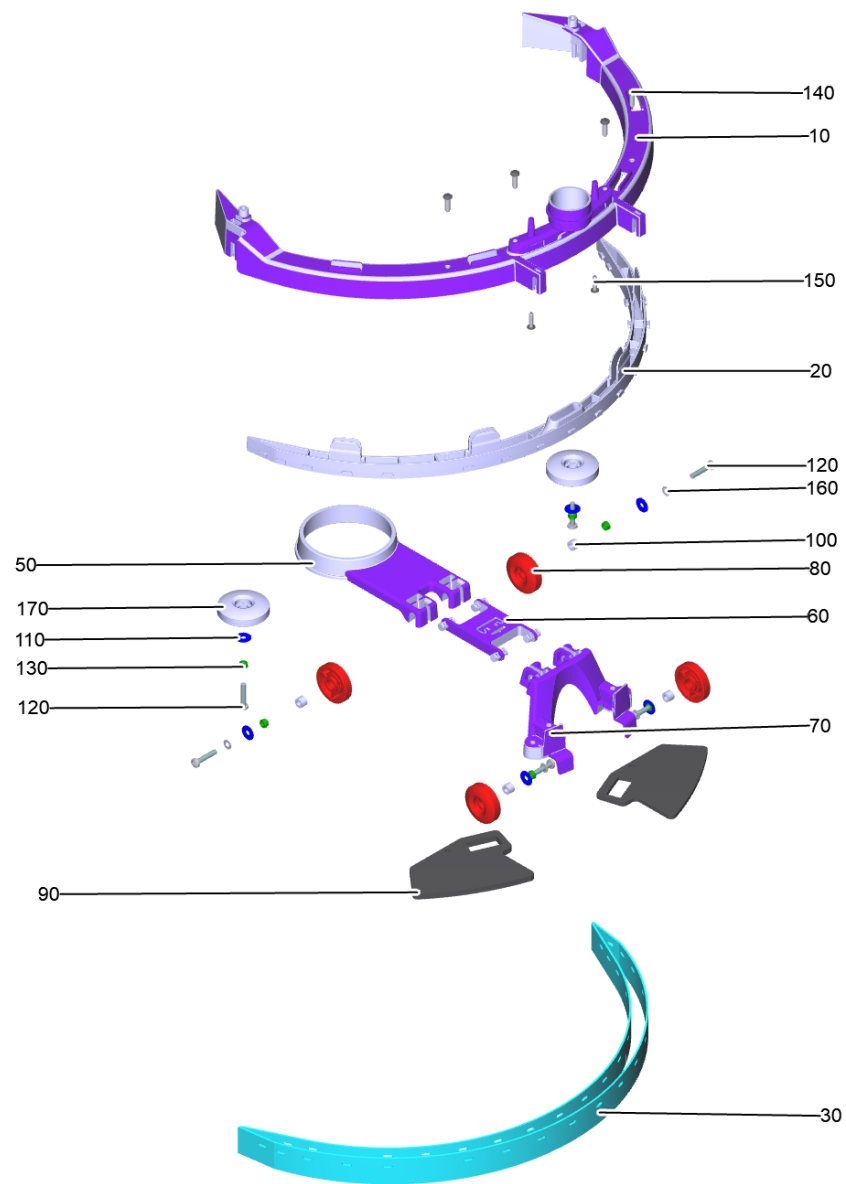
POS	Article no.	Description	Quantity	Unit
10	9.772-261.0	Electronics with display	1	PC
20	9.772-297.0	Display cable	1	PC
30	7.303-108.0	Screw 5x20-10.9-R2R (In6Rd)	4	PC
40	9.772-299.0	Switch cable switch side	1	PC
50	9.772-298.0	Switch cable controller side	1	PC
60	9.753-513.0	Electronics BD35/15	1	PC
70	9.772-305.0	Battery connection cable	1	PC
80	9.772-287.0	Hot air hose thermal casing	2	PC
90	9.772-463.0	Programming device for computer (ST-link) for replacement	1	PC
100	9.772-464.0	Adapter cable ST-link to PCB for replacement	1	PC

60 Electronics BD35/15 (9.753-513.0)

---

POS	Article no.	Description	Quantity	Unit
10	9.753-546.0	Cable assembly complete for replacement	1	PC
30	9.772-255.0	Control circuit board BD 35/15	1	PC
<b>Item text1:</b> replaced by 9.753-513.0				

---



## 80 Suction bar complete (9.753-500.0)

POS	Article no.	Description	Quantity	Unit
10	5.037-516.0	Suction bar external part	1	PC
20	5.037-517.0	Suction bar internal part	1	PC
30	4.037-118.0	Suction lips set BD 38/12	1	PC
50	5.037-028.0	Bearing suction bar disk	1	PC
60	5.037-029.0	Joint suction beam retraction	1	PC
70	4.037-129.0	Set retainer suction bar	1	PC
80	5.037-013.0	Wheel suction bar	4	PC
90	9.772-179.0	Weight suction bar	5	PC
100	5.037-018.0	Sleeve	4	PC
110	7.312-282.0	Washer 5-A2 ISO 7093-1	6	PC
120	7.306-404.0	Screw M5x25-A2-70 (In6Rd)	6	PC
130	7.311-431.0	Hexagon nut M5-1.4305 DIN 985	6	PC
140	7.303-104.0	Screw 5x16 -A2-70 (IN6RD)	4	PC
150	7.303-026.0	Screw 4x16-A2-70 (K-In6Rd)	2	PC
160	7.312-041.0	Serrated lock washer A5,3-1.4310 DIN 67	4	PC
170	9.772-262.0	Roller D50	2	PC