

PROCHEM

Kärcher Group

Spare Parts List

(1.007-066.0, 1.007-065.0)

Ninja Warrior 200PSI

From Serial Number (Ref No. 1*)

* See Serial Number page or
call manufacturer

 **CLICK TO ORDER PARTS**

How to Use this Spare Parts List

The PARTS LIST section contains assembled parts illustrations and corresponding parts list. The parts lists include a number of columns of information:

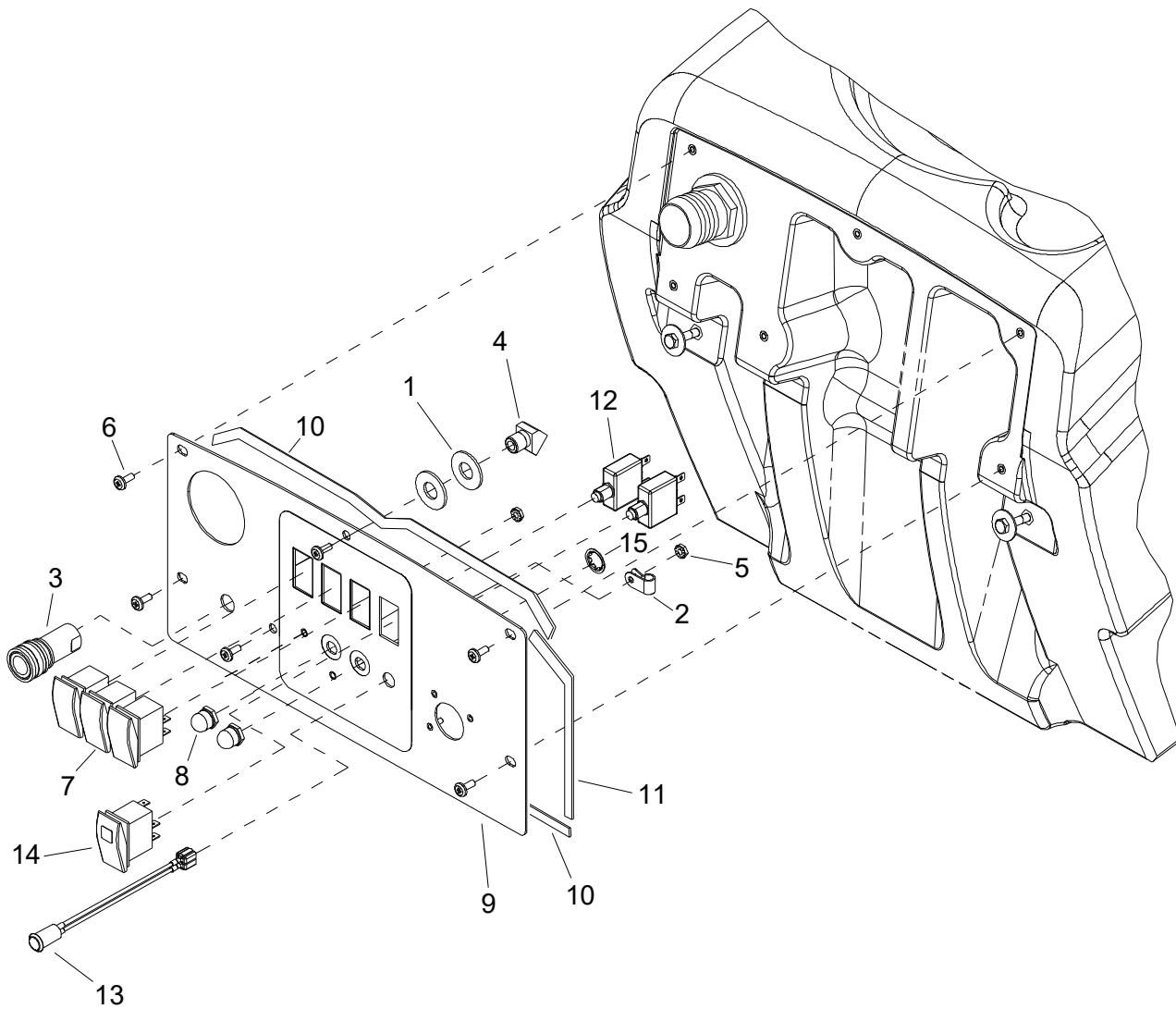
- REF - column refers to the reference number on the parts illustration.
- PART NO. - column lists the part number for the part.
- QTY - column lists the quantity of the part used in that area of the machine.
- DESCRIPTION - column is a brief description of the part.
- SERIAL NO. FROM - If this column has an (*) and a Reference number, see the SERIAL NUMBERS page in the back of your manual. If column has two asterisk (**), call manufacturer for serial number. The serial number indicates the first machine the part number is applicable to. The main illustration shows the most current design of the machine. When a boxed illustration is shown, it displays the older design.
- NOTES - column for information not noted by the other columns.

NOTE: *If a service or option kit is installed on your machine, be sure to keep the KIT INSTRUCTIONS which came with the kit. It contains replacement parts numbers needed for ordering future parts.*

How to Use this Spare Parts List	2
Table of Contents	3
Control Panel	4
Control Panel with Heat	6
Decals	8
Electrical	10
Electrical with Heat	12
Frame	14
Heater	16
Recovery	18
Pump	20
Pump with Heat	22
Solution	24
Vacuum	26
Wiring	28
Wiring with Heat	30
Serial Number	32
Notes	33

REF	PART NO.	QTY	DESCRIPTION	SERIAL NO. FROM	NOTES
1	86202230	2	WASHER 9/16 S/S USS THICK		
2	86002370	1	CLAMP, 7/16 DIA NYLON ULS		
3	86002450	1	COUPLER, 1/4 QD		
4	86197390	1	ELBOW, 1/4NPT 45D STREET		
5	86005700	2	NUT, 10-32 HEX W/STAR		
6	86276820	6	SCR, 10-32 X 1/2 PTHMS BLK NP		
7	86007140	3	SWITCH, SPST 2-POSITION ROCKER		
8	86008900	2	BOOT, SEAL PUSH BUTTON 7/16"		
9	86323510	1	PANEL, CONTROL, 200		
10	86313020	2	GASKET, .125 T X .25 W X 15.6"		
11	86313030	4	GASKET, .125 T X .25 W X 7.2"		
12	86318320	2	BREAKER, 13A, 250VAC, 32VDC		

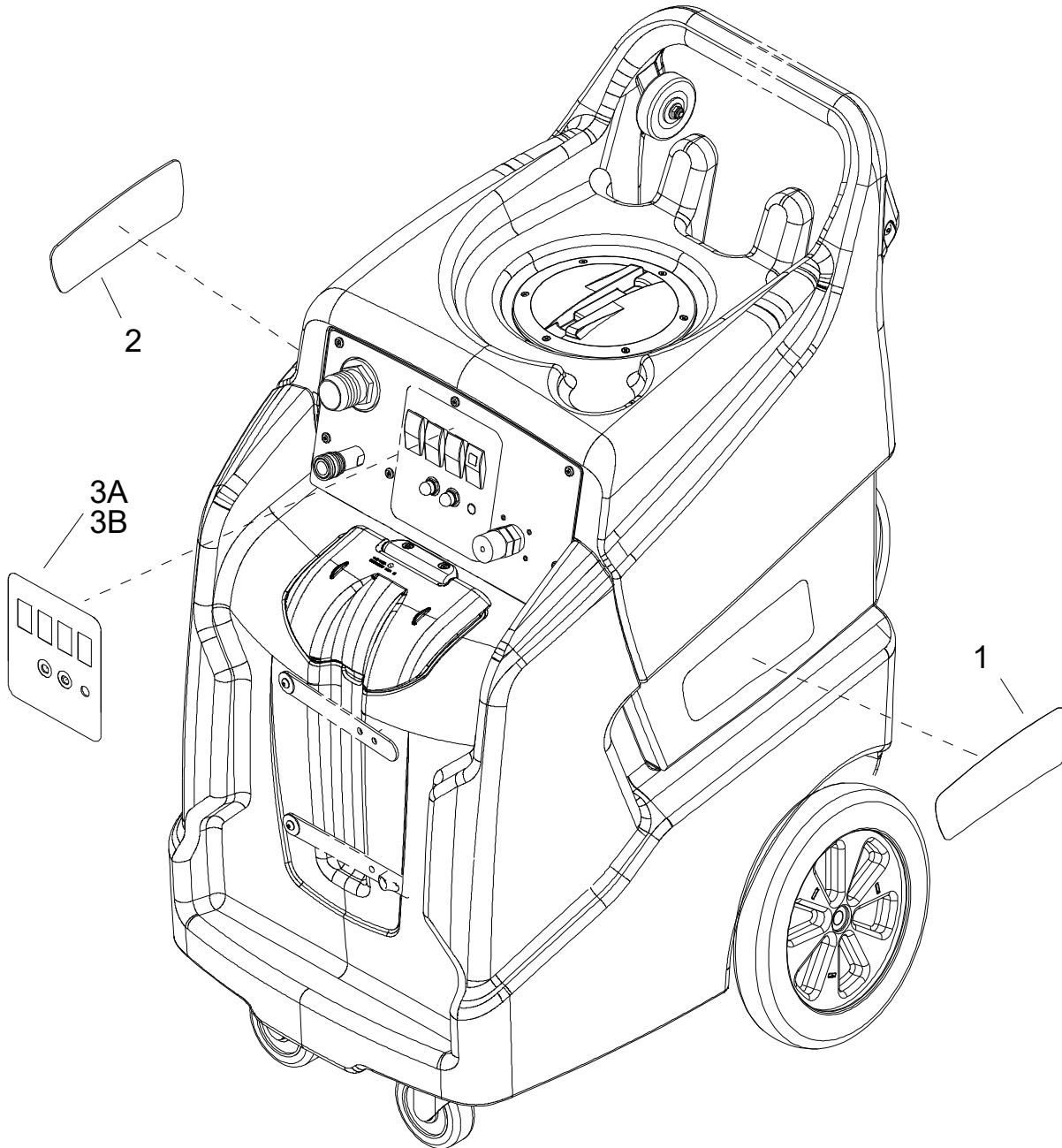
Control Panel with Heat



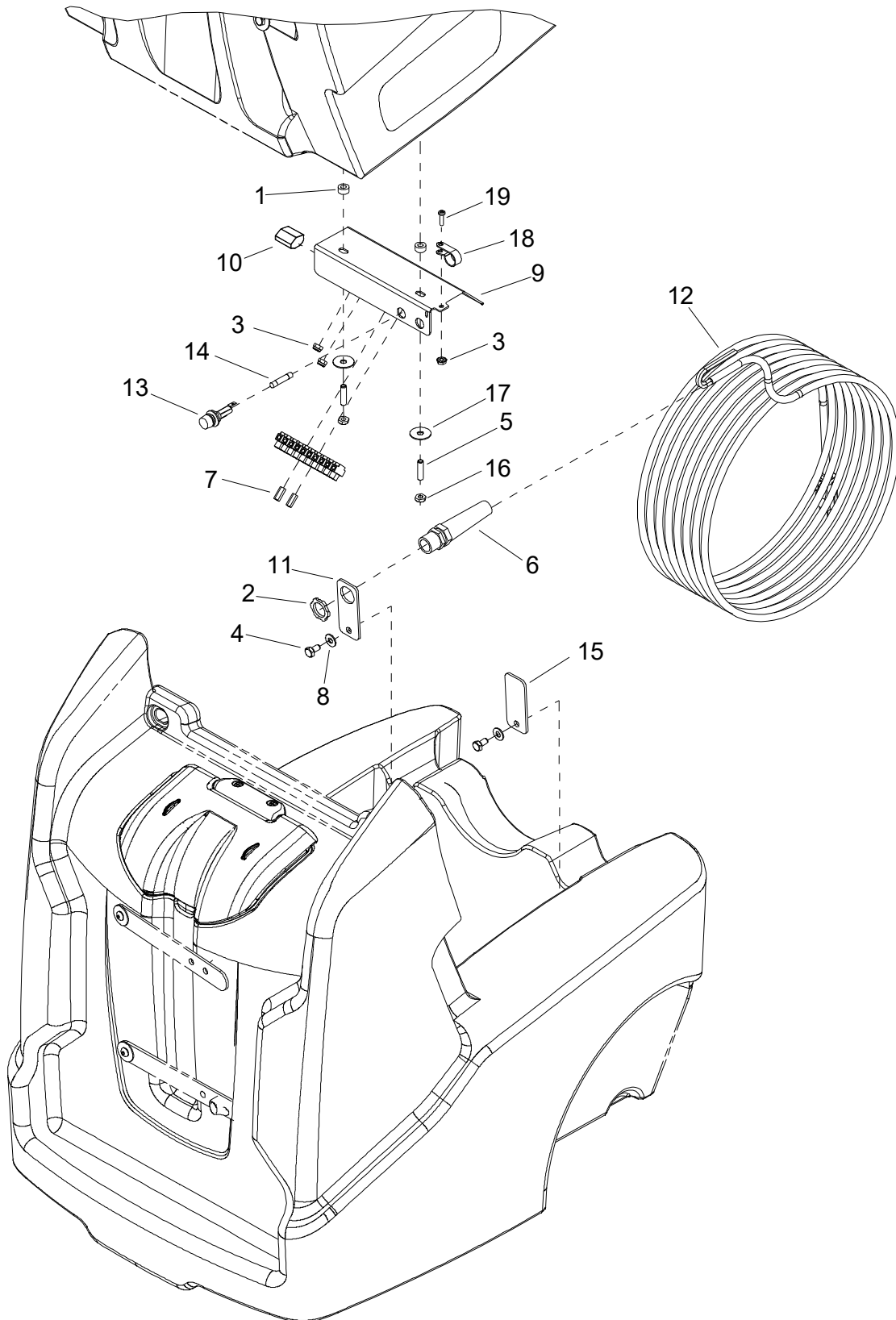
Control Panel with Heat

REF	PART NO.	QTY	DESCRIPTION	SERIAL NO. FROM	NOTES
1	86202230	2	WASHER 9/16 S/S USS THICK		
2	86002370	1	CLAMP, 7/16 DIA NYLON UL		
3	86002450	1	COUPLER, 1/4 QD		
4	86197390	1	ELBOW, 1/4NPT 45D STREET		
5	86005700	2	NUT, 10-32 HEX W/STAR		
6	86276820	6	SCR, 10-32 X 1/2 PTHMS BLK NP		
7	86007140	3	SWITCH, SPST 2-POSITION ROCKER		
8	86008900	2	BOOT, SEAL PUSH BUTTON 7/16		
9	86313840	1	PANEL, CONTROL, 200 HT		
10	86313020	2	GASKET, .125 T X .25 W X 15.6		
11	86313030	4	GASKET, .125 T X .25 W X 7.2		
12	86318320	2	BREAKER, 13A, 250VAC, 32VDC		
13	86318780	1	LIGHT ASM, HEATER, 120V		
14	86317850	1	SWITCH, LIGHTED 2-POS ROCKER		
15	86233480	1	CLIP, NEON LAMP		

Decals

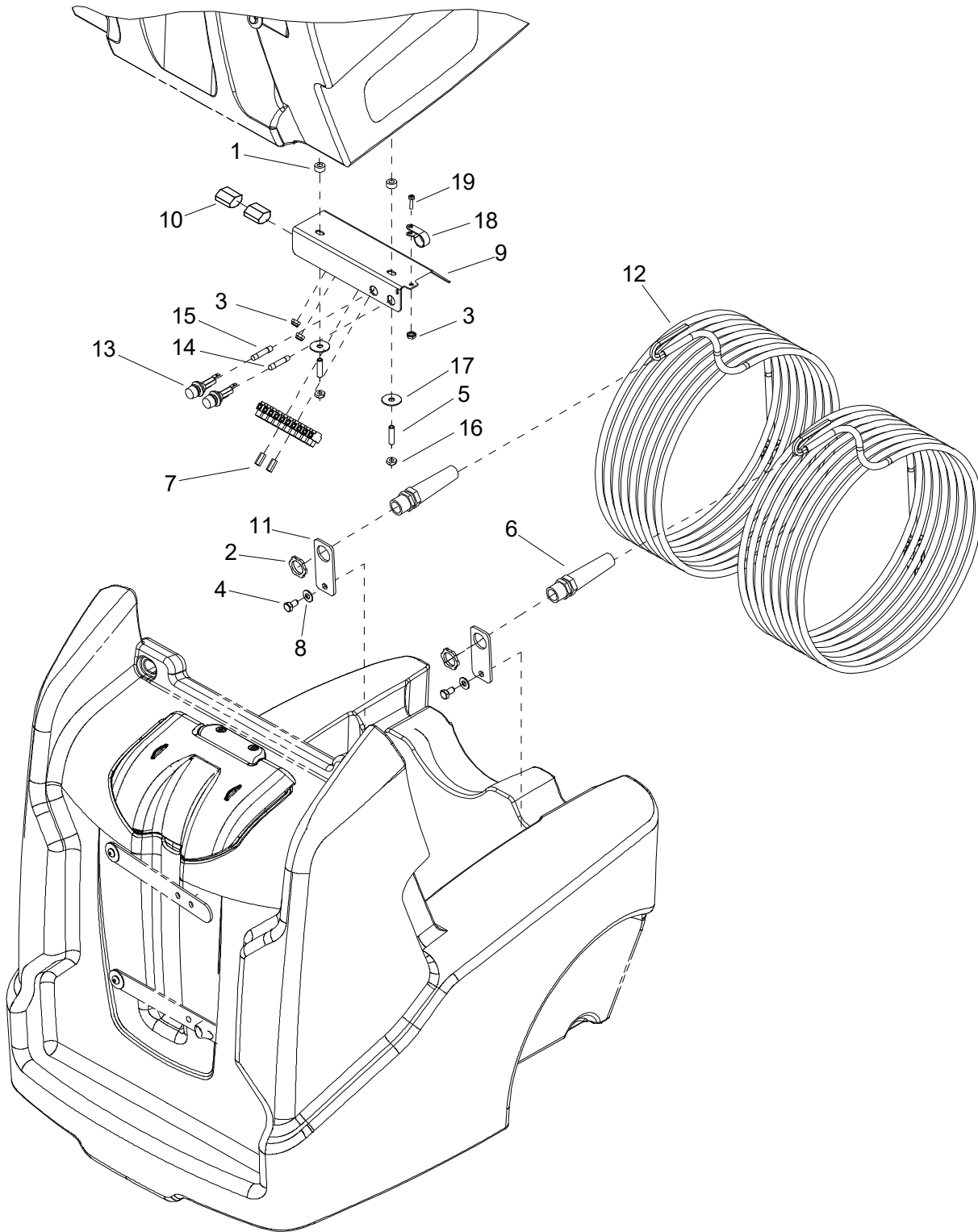


REF	PART NO.	QTY	DESCRIPTION	SERIAL NO. FROM	NOTES
1	86399230	1	LABEL, NINJA, WARRIOR, LH		
2	86399240	1	LABEL, NINJA, WARRIOR, RH		
3A	86399250	1	LABEL, NINJA, WARRIOR, W/ HEAT		
3B	86399260	1	LABEL, NINJA WARRIOR, W/O HEAT		



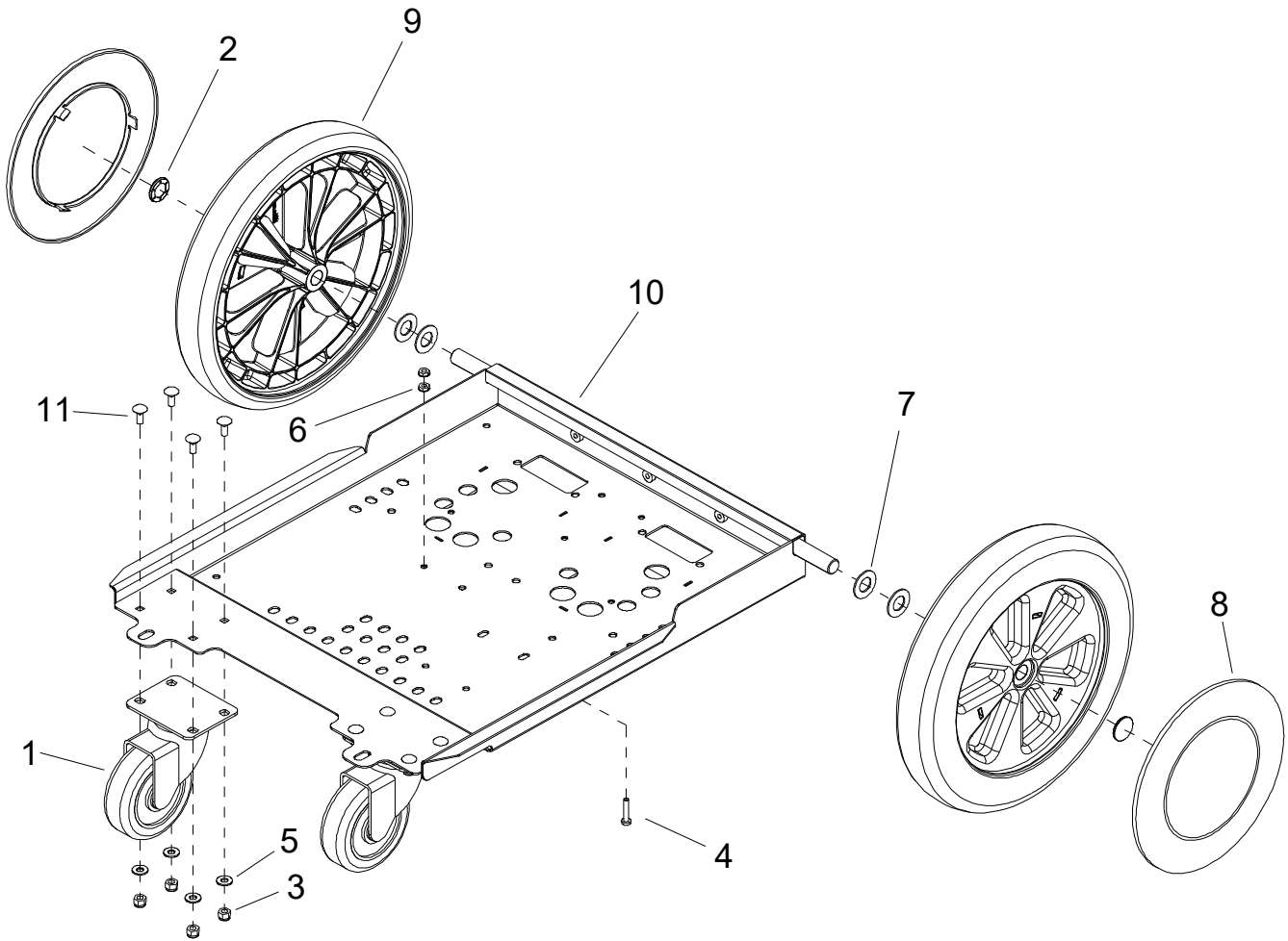
REF	PART NO.	QTY	DESCRIPTION	SERIAL NO. FROM	NOTES
1	86201510	2	SPACER NYLON 1/4ID X 1/2 OD		
2	86005670	1	NUT, 1/2 NPT CONDUIT		
3	86005700	3	NUT, 10-32 W/STAR WASHER PLTD		
4	86273830	2	SCR, 1/4-20 X 1/2 HHCS SS		
5	86006850	2	SET SCR, 1/4-20 X 1.25L		
6	86256200	1	STRAIN RELEIF, 1/2 NPT FLEX		
7	86255900	2	STANDOFF, 6-32 X 5/8 HEX NYL		
8	86010630	2	WASHER, 1/4 X 5/8 FLAT SS		
9	86316460	1	BRKT, ELECTRICAL		
10	86316540	1	CONNECTOR, 5 POS, PUSH WIRE		
11	86316700	1	BRKT, CORD STRAIN RELIEF		
12	86318620	1	CORD ASM, 14/3 SJT X 25' BLK		
13	86319090	1	FUSE HOLDER, PANEL MNT		
14	86319110	1	FUSE, 1/4" X 1 1/4", 4A		
15	86317580	1	BRKT, CORD, BLANK		
16	86005810	2	NUT, 1/4-20 NYLOCK		
17	86323330	2	WASHER, 1/4" ID X 1.0D FLAT BLK		
18	86198460	1	CLAMP, 5/8 NYLON UL/CSA		
19	86006590	1	SCREW, 10-32 X 1/2 PPHMS SS NP		

Electrical with Heat



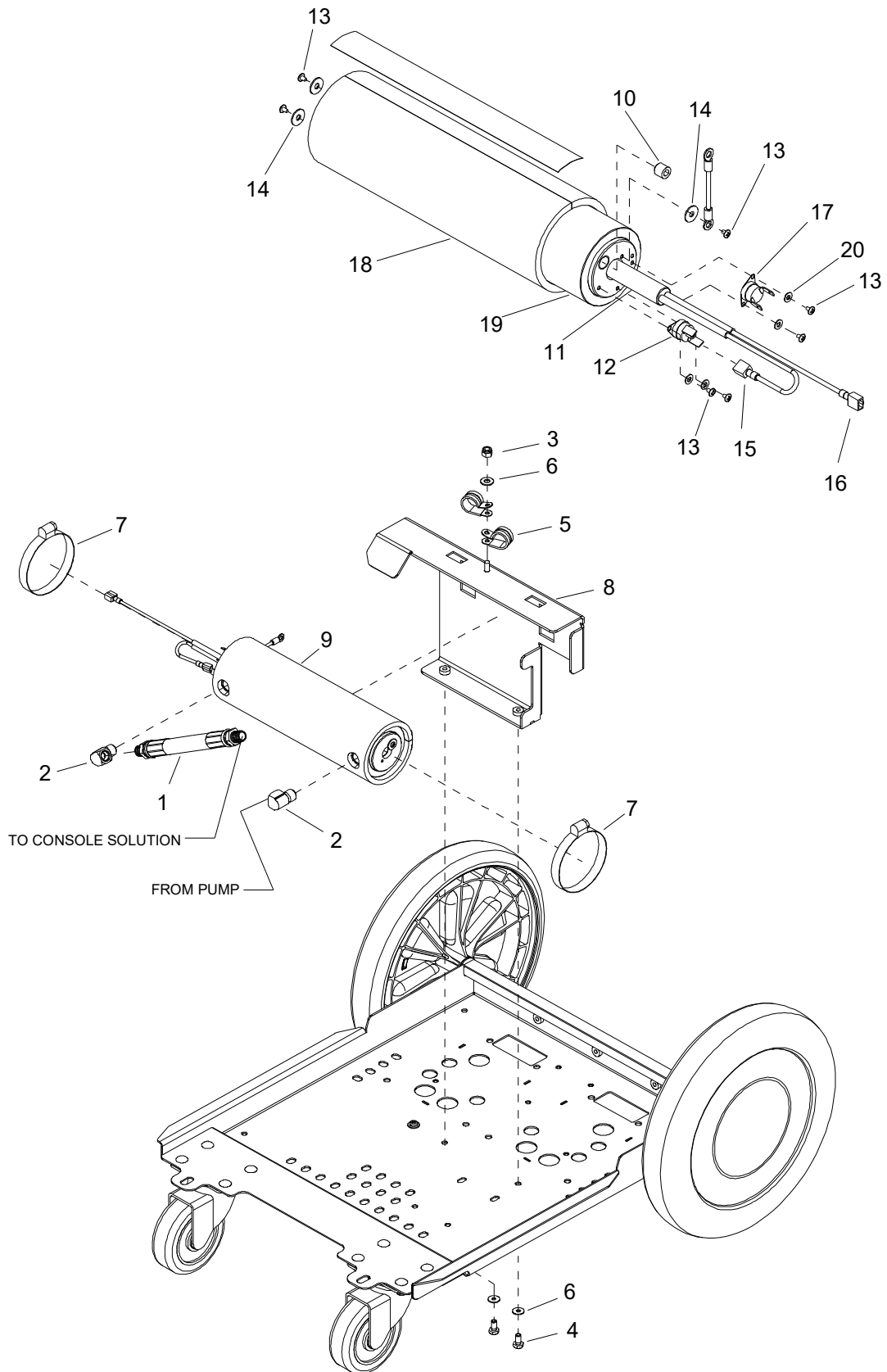
REF	PART NO.	QTY	DESCRIPTION	SERIAL NO. FROM	NOTES
1	86201510	2	SPACER NYLON 1/4ID X 1/2 OD		
2	86005670	2	NUT, 1/2 NPT CONDUIT		
3	86005700	3	NUT, 10-32 W/STAR WASHER PLTD		
4	86273830	2	SCR, 1/4-20 X 1/2 HHCS SS		
5	86006850	2	SET SCR, 1/4-20 X 1.25L		
6	86256200	2	STRAIN RELEIF, 1/2 NPT FLEX		
7	86255900	2	STANDOFF, 6-32 X 5/8 HEX NYL		
8	86010630	2	WASHER, 1/4 X 5/8 FLAT SS		
9	86316460	1	BRKT, ELECTRICAL		
10	86316540	2	CONNECTOR, 5 POS, PUSH WIRE		
11	86316700	2	BRKT, CORD STRAIN RELIEF		
12	86318620	2	CORD ASM, 14/3 SJT X 25' BLK		
13	86319090	2	FUSE HOLDER, PANEL MNT		
14	86319100	1	FUSE, 1/4" X 1 1/4", 15A		
15	86319110	1	FUSE, 1/4" X 1 1/4", 4A		
16	86005810	2	NUT, 1/4-20 NYLOCK		
17	86323330	2	WASHER, 1/4" ID X 1.0D FLAT BLK		
18	86198460	1	CLAMP, 5/8 NYLON UL/CSA		
19	86006590	1	SCREW, 10-32 X 1/2 PPHMS SS NP		

Frame

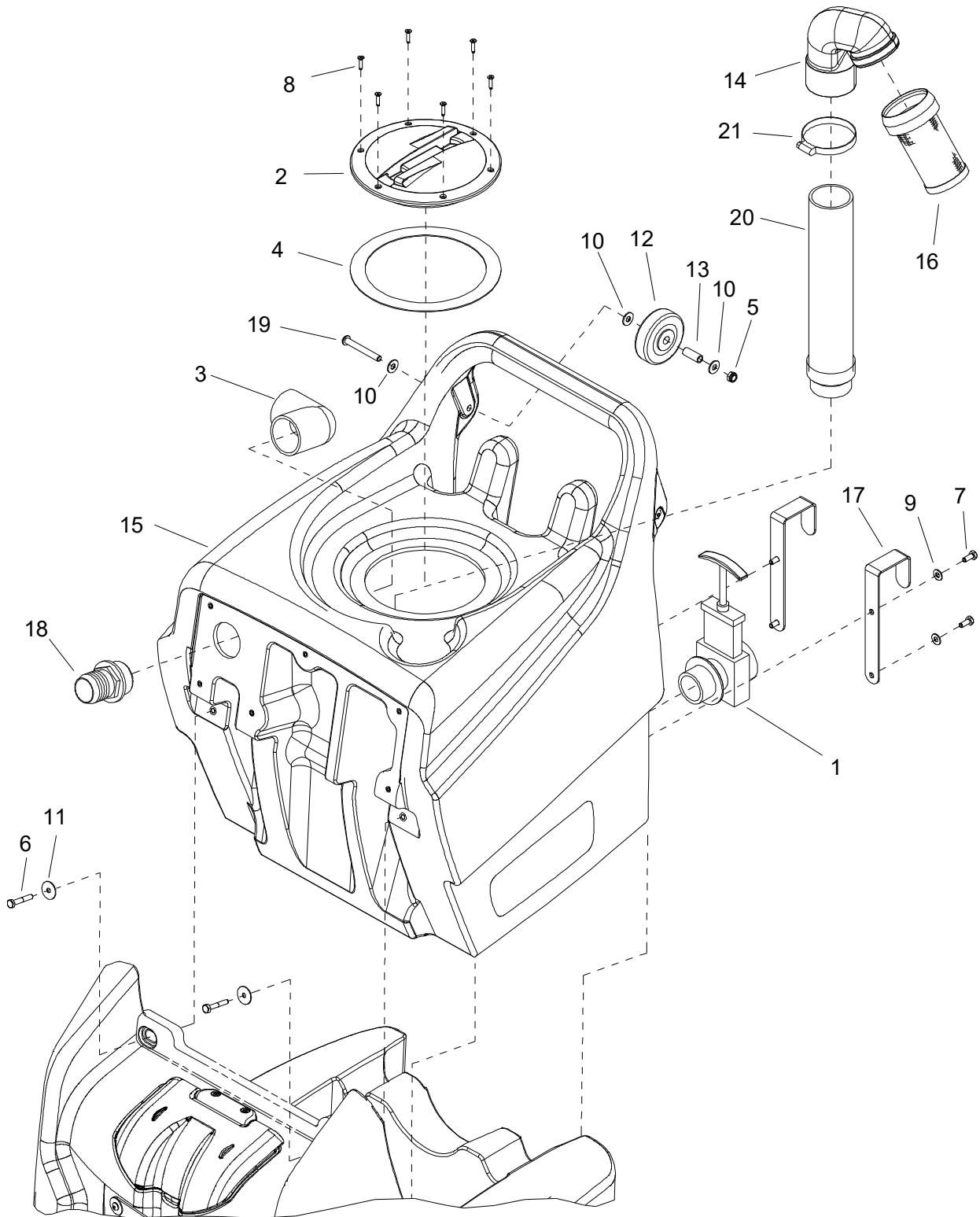


REF	PART NO.	QTY	DESCRIPTION	SERIAL NO. FROM	NOTES
1	86199430	2	CASTER, SWIVEL 4" 250# CPCTY		
2	86001660	2	HUBCAP, 5/8 SHAFT		
3	86005810	8	NUT, 1/4-20 HEX NYLOCK SS		
4	86276080	1	SCR, 10-32 X 1" PPHMS GRN		
5	86010630	8	WASHER, 1/4 X 5/8 FLAT SS		
6	86005700	2	NUT, 10-32 HEX W/STAR		
7	86010730	4	WASHER, 5/8 X 1-3/16 FLAT SS		
8	86300070	2	HUBCAP, 9.75" WHEEL		
9	86309790	2	WHEEL, 12" X 2.25"		
10	86312830	1	FRAME, 5/8" AXLE, DUAL VAC		
11	86277500	8	SCR, 1/4-20 X 5/8 CARR SS		

Heater

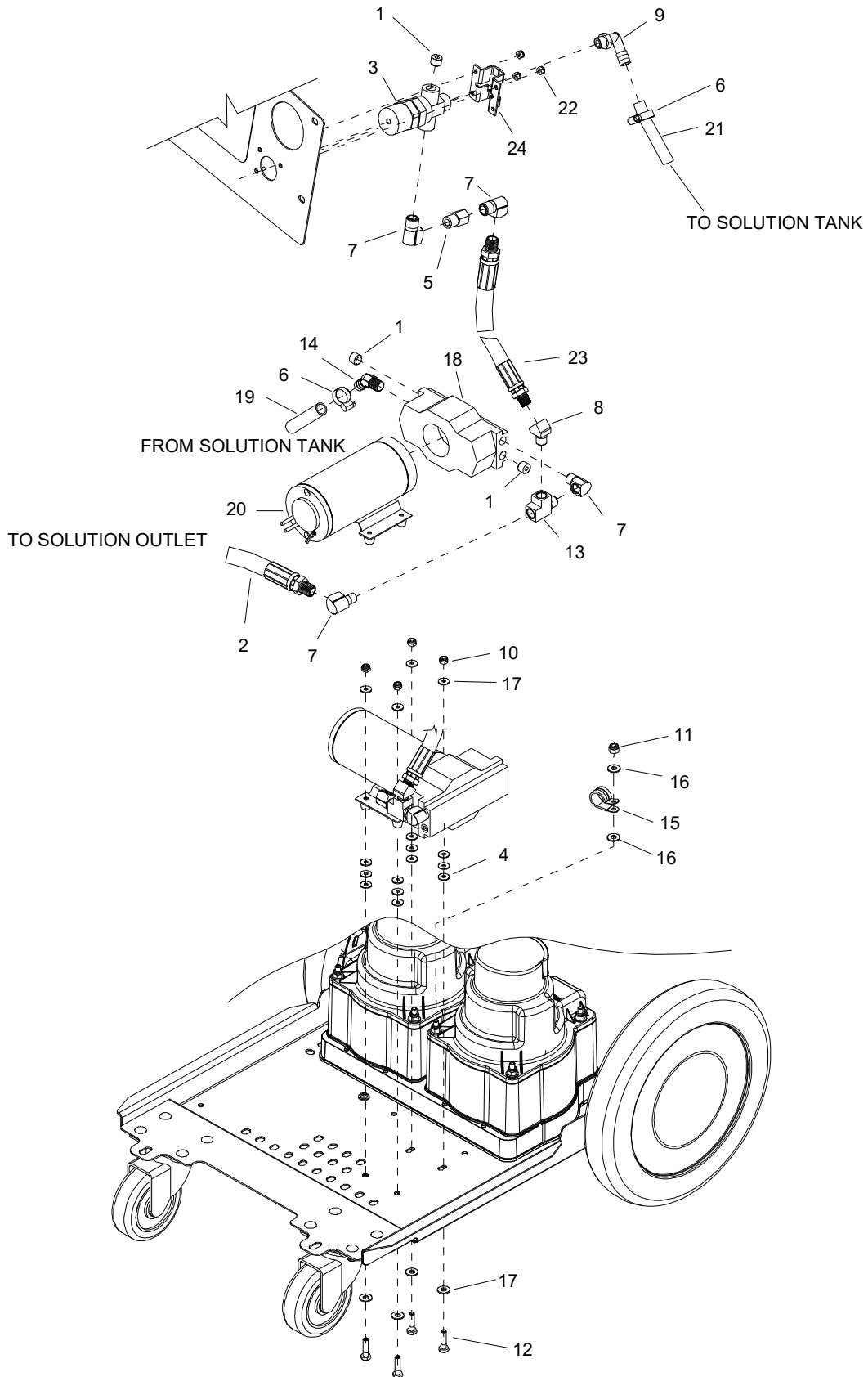


REF	PART NO.	QTY	DESCRIPTION	SERIAL NO. FROM	NOTES
1	86200260	1	HOSE,PULSE 47.0 1/4MPTX1/4MPT		
2	86197360	2	ELBOW, 1/4 NPT STREET		
3	86005810	1	NUT, 1/4-20 HEX NYLOCK SS		
4	86273830	2	SCR, 1/4-20 X 1/2 HHCS SS		
5	86233410	2	CLAMP, 3/4 DIA CUSHION .406 DIA		
6	86010630	3	WASHER, 1/4 X 5/8 FLAT SS		
7	86318310	2	CLAMP, 3.25 WORM GEAR SS		
8	86318410	1	BRKT, HEATER MOUNT		
9	86318750	1	HEATER ASM, 1850W, 120V		
10	86006180	1	PLUG, 1/8 MPT HEX BRASS		
11	86199980	1	CARTRIDGE HEATER, 5/8" X 10"		
12	86201790	1	THERMOSTAT RESET 302		
13	86200870	7	SCR, 6 X 3/16, PHSMS, B		
14	86010650	3	WASHER, #10 X 9/16 FLAT		
15	86266020	1	TERM, 14GA. .25 FEMALE		
16	86266130	1	TERM, 14GA. MALE COUPLER FI		
17	86317510	1	THERMOSTAT W/VERT SPADE		
18	86317730	1	INSULATION, HEATER		
19	86326680	1	HEATER CART. CASE WELDED		
20	86202220	4	WASHER #5 SS .135ID X .312 OD		



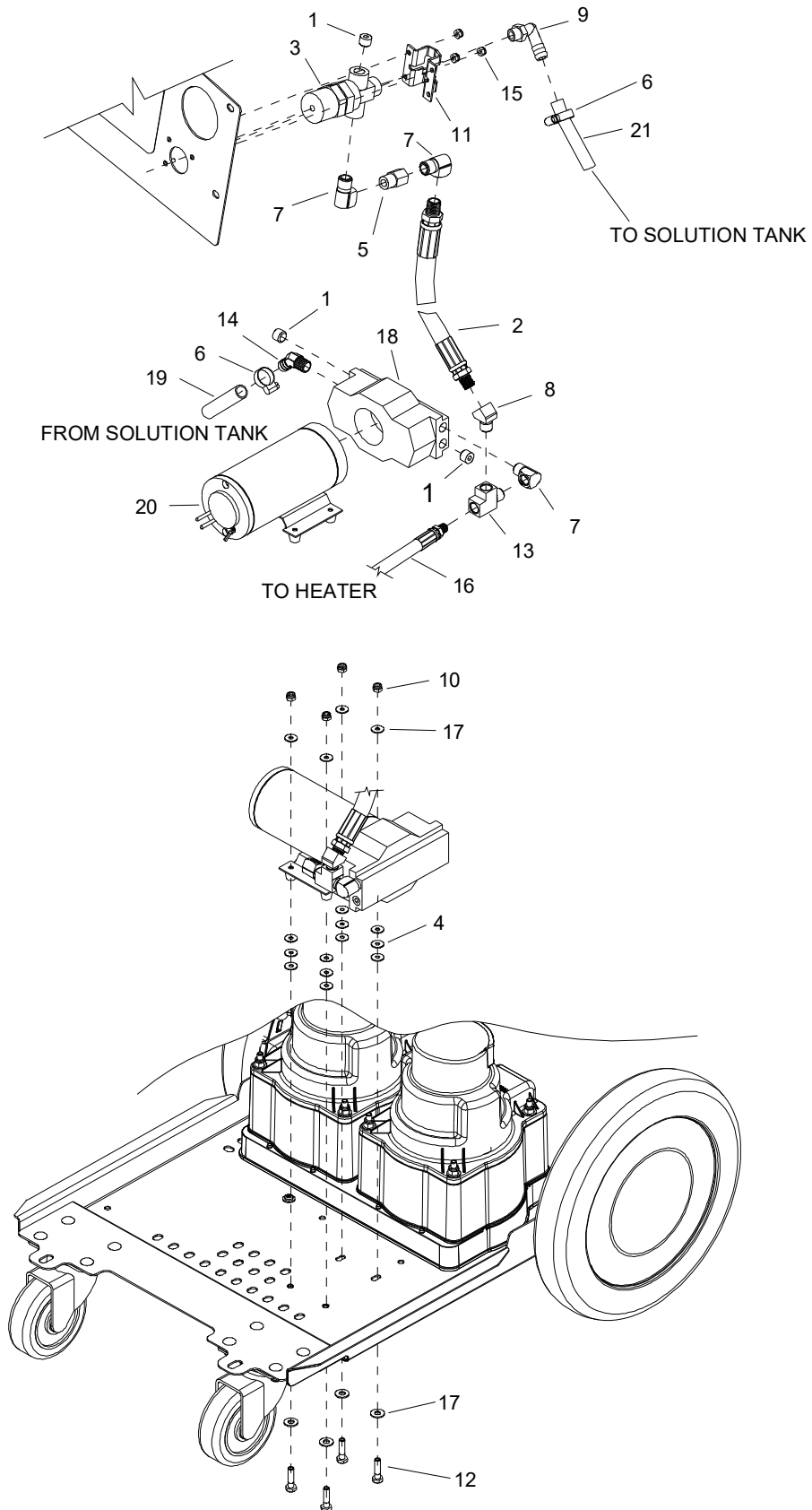
REF	PART NO.	QTY	DESCRIPTION	SERIAL NO. FROM	NOTES
1	86161460	1	DUMP VALVE, 1 1/2		
2	86334490	1	DECK PLATE ASM, 6", YLW		
3	86197820	1	ELBOW, 1.5 FPT X FS PVC		
4	86004000	1	GASKET, TANK LID		
5	86197040	2	NUT, 5/16-18 HEX ACORN PLTD		
6	86273740	2	SCR, 1/4-20 X 1.50 HHCS SS		
7	86273750	4	SCR, 1/4-20 X 5/8 HHCS SS		
8	86275800	6	SCR, 8 X 3/4 PFHT/S BLK ZINC		
9	86010630	4	WASHER, 1/4 X 5/8 FLAT SS		
10	86010670	6	WASHER, 5/16 X 3/4 SS		
11	86323330	2	WASHER, 1/4 ID X 1.0 OD FLAT BLK		
12	86011020	2	WHEEL, 3" DIA. CUSHION RUBBER		
13	86001350	2	BUSHING, SPANNER .435 X 1.10		
14	86311510	1	ADAPTER, FLOAT 30 DEG, 2		
15	86312360	1	TANK, RECOVERY, TRIMMED		
16	86313040	1	SCRN, FLOAT, SHTOFF, 2		
17	86316710	2	BRKT, CORD, MOUNT		
18	86317230	1	HOSEBARB, 1.5MPT X 1.5 W/FLNG		
19	86317720	2	SCR, 5/16-18 X 2.50 BSHCS SS		
20	86320790	1	PIPE ASM, 2", VACUUM		
21	86233120	1	CLAMP, 2.75" WORM GEAR		

Pump

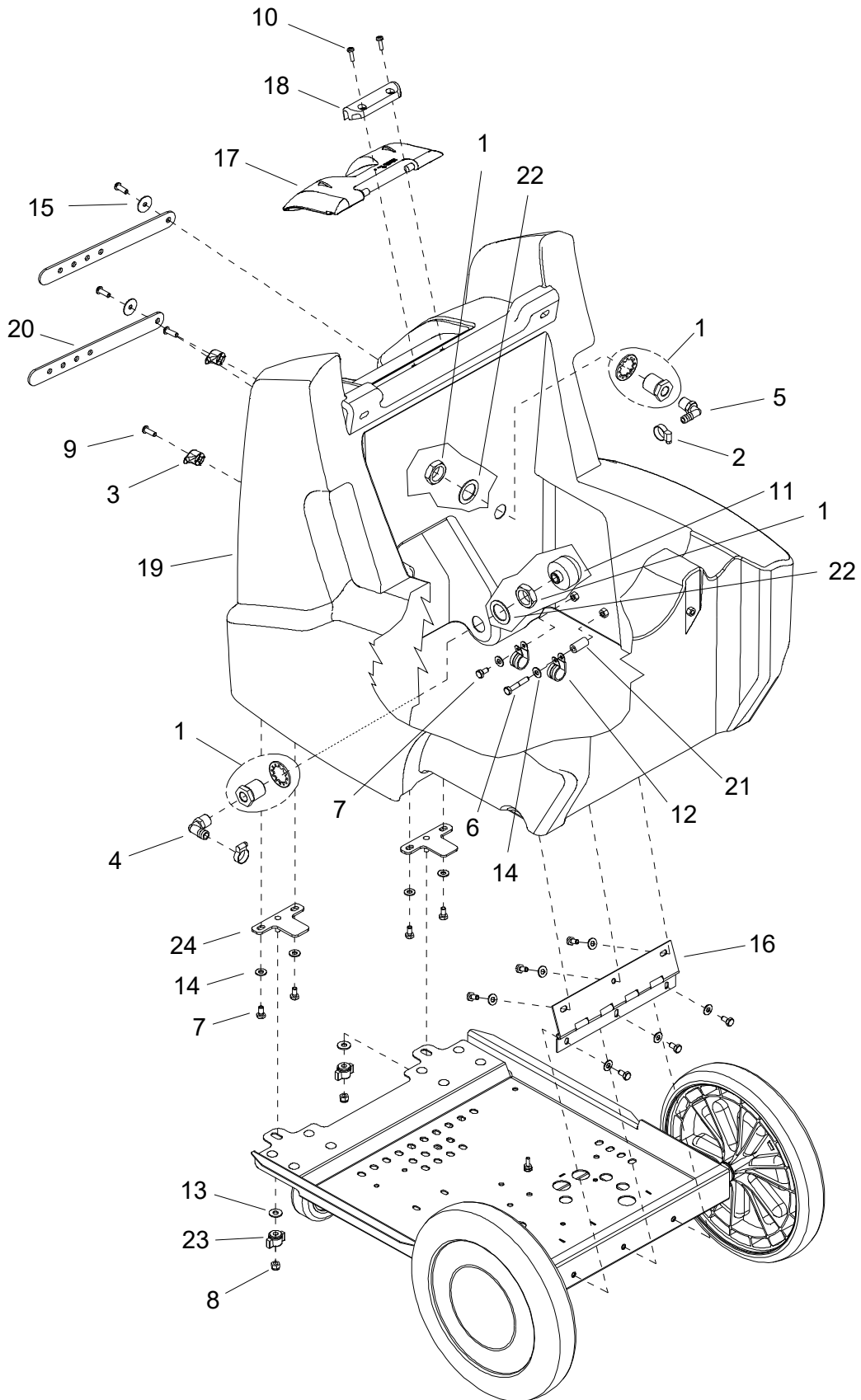


REF	PART NO.	QTY	DESCRIPTION	SERIAL NO. FROM	NOTES
1	86190510	3	PLUG, 1/8P, BR		
2	86200260	1	HOSE,PULSE 47.0 1/4MPTX1/4MPT		
3	86199580	1	D/B BPR 200PSI		
4	86323300	12	WASHER, 1/4" RUBBER		
5	86197270	1	ADPTR, 1/4MPT X 1/4FPT BR		
6	86233150	2	CLAMP, 3/8 WORM GEAR		
7	86197360	4	ELBOW, 1/4 NPT STREET		
8	86197390	1	ELBOW, 1/4NPT 45D STREET		
9	86240500	1	HOSEBARB, 3/8MPT X 3/8HOSE 90		
10	87188600	4	NUT, 10/32", ESNA, SS		
11	86005710	1	NUT, 1/4-20 HEX W/STAR WASHER		
12	86274280	4	SCR, 10-32 X 1-3/8 PPHMS		
13	86197760	1	TEE, 1/4 STREET		
14	86184900	1	ELBOW, 45DEG 1/4MPT x 1/2H BR		
15	86233410	1	CLAMP, 3/4 DIA CUSHION .406 DIA		
16	86010630	2	WASHER, 1/4 X 5/8 FLAT SS		
17	86010650	8	WASHER, #10 X 9/16 FLAT		
18	86201140	1	PUMP, SERIES 112V W/ CAM		
19	86318390	1	HOSE, 1/2ID WIRE BOUND X 42"		
20	86318970	1	MOTOR, M35, 120V, 1.5A		
21	86321470	1	HOSE, 3/8ID WIRE BOUND X 26"		
22	86270850	3	NUT, 8-32 HEX NYLOCK		
23	86323550	1	HOSE, 47" HP 1/4-MPT X 1/4-MPT		
24	86355740	1	BRKT, P/P BPR		

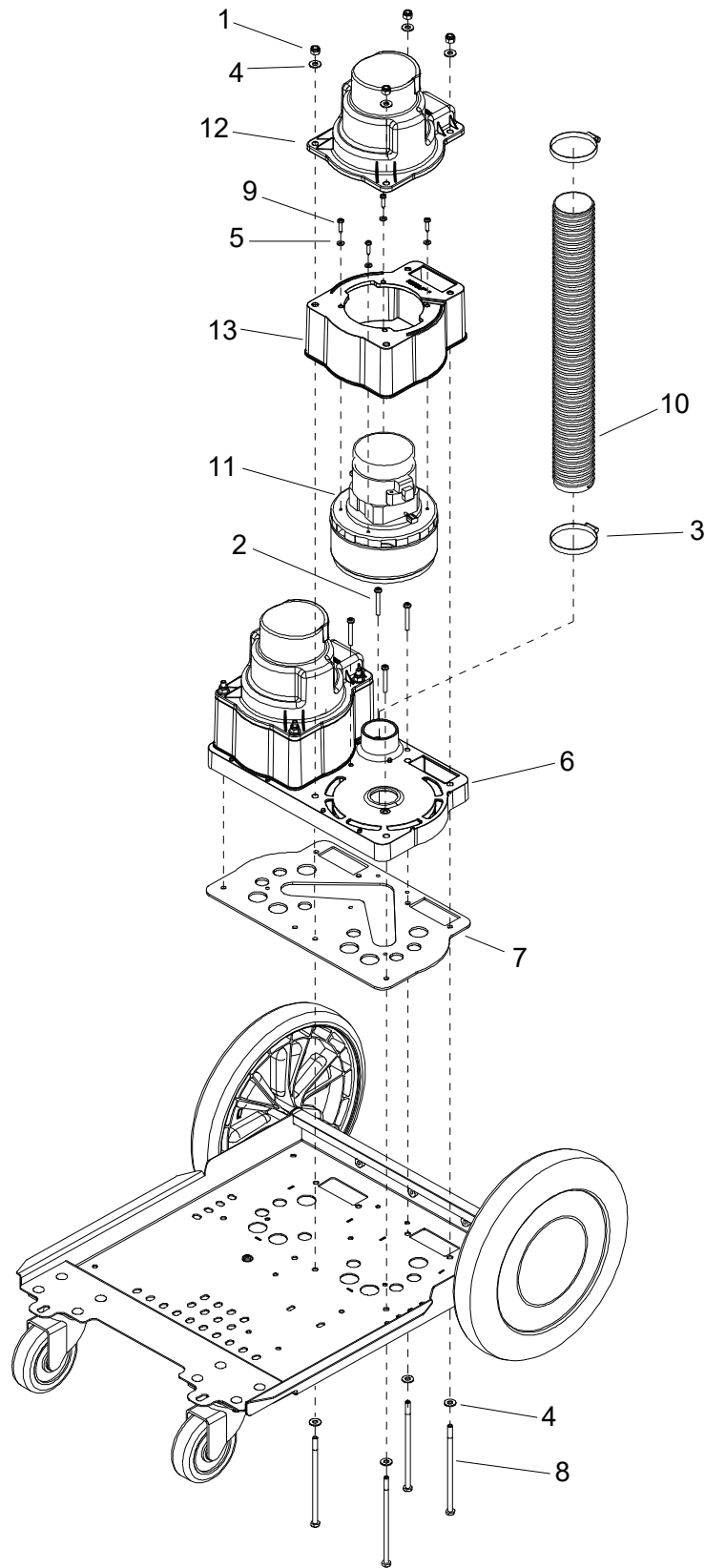
Pump with Heat



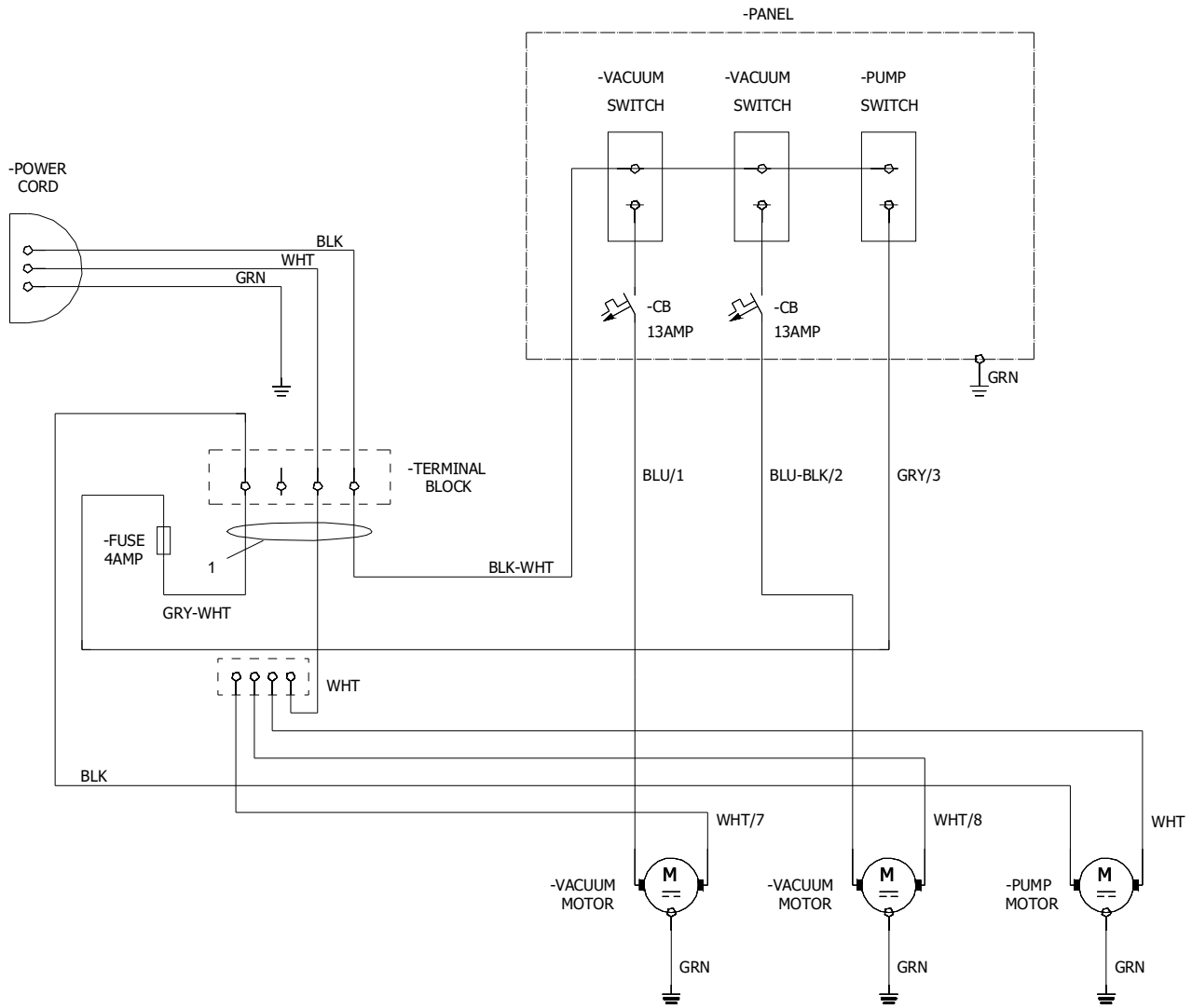
REF	PART NO.	QTY	DESCRIPTION	SERIAL NO. FROM	NOTES
1	86190510	3	PLUG, 1/8P, BR		
2	86323550	1	HOSE, 47" HP 1/4-MPT X 1/4-MPT		
3	86199580	1	D/B BPR 200PSI		
4	86323300	12	WASHER, 1/4" RUBBER		
5	86197270	1	ADPTR, 1/4MPT X 1/4FPT BR		
6	86233150	2	CLAMP, 3/8 WORM GEAR		
7	86197360	3	ELBOW, 1/4 NPT STREET		
8	86197390	1	ELBOW, 1/4NPT 45D STREET		
9	86240500	1	HOSEBARB, 3/8MPT X 3/8HOSE 90		
10	87188600	4	NUT, 10/32", ESNA, SS		
11	86355740	1	BRKT, P/P BPR		
12	86274280	4	SCR, 10-32 X 1-3/8 PPHMS		
13	86197760	1	TEE, 1/4 STREET		
14	86184900	1	ELBOW, 45DEG 1/4MPT x 1/2H BR		
15	86270850	3	NUT, 8-32 HEX NYLOCK		
16	86317840	1	HOSE, PULSE 16" 1/4MPT X 1/4MPT		
17	86010650	8	WASHER, #10 X 9/16 FLAT		
18	86201140	1	PUMP, SERIES 112V W/ CAM		
19	86318390	1	HOSE, 1/2ID WIRE BOUND X 42"		
20	86318970	1	MOTOR, M35, 120V, 1.5A		
21	86321470	1	HOSE, 3/8ID WIRE BOUND X 26"		



REF	PART NO.	QTY	DESCRIPTION	SERIAL NO. FROM	NOTES
1	86173640	2	ADPT,3/8 BLKHD		COMPLETE
2	86233150	2	CLAMP, 3/8 WORM GEAR		
3	86238460	2	HOOK, STRAP		
4	86197940	1	HOSEBARB, 3/8 MPT X 1/2 HOSE 90°		
5	86001550	1	HOSEBARB, 3/8 MPT X 3/8 HOSE 90°		
6	86273740	1	SCR, 1/4-20 X 1.50 HHCS SS		
7	86273830	11	SCR, 1/4-20 X 1/2 HHCS SS		
8	86005810	2	NUT, 1/4-20 HEX NYLOCK SS		
9	86324210	4	SCR, 1/4-20 X 5/8 BHCS BLK		
10	86276160	2	SCR, 10-32 X 5/8 PPHMS BLK		
11	86007970	1	STRAINER, 3/8 IN. NPT 60 MESH		
12	86233410	2	CLAMP, 3/4 DIA CUSHION .406 DIA		
13	86010670	2	WASHER, 5/16 X 3/4 SS		
14	86010630	12	WASHER, 1/4 X 5/8 FLAT SS		
15	86323330	2	WASHER, 1/4 ID X 1.0 OD FLAT BLK		
16	86311990	1	HINGE, 9.5" LG X .074 THK		
17	86312000	1	LID, SOLUTION, COVER		
18	86312010	1	LID, SOLUTION, HINGE BRKT		
19	87596010	1	TANK SOLUTION 13G BLACK		
20	86297620	2	STRAP, HAND TOOL		
21	86317560	1	SPACER, .50 ODX .28 ID X 1.0L		
22	86318790	2	WASHER, 1.032ID X 1.5OD X .062THK		
23	86242130	2	KNOB, 1/4 HEX PRESS-LOC WING		
24	86324030	2	PLATE, MOUNTING, SOLUTION		

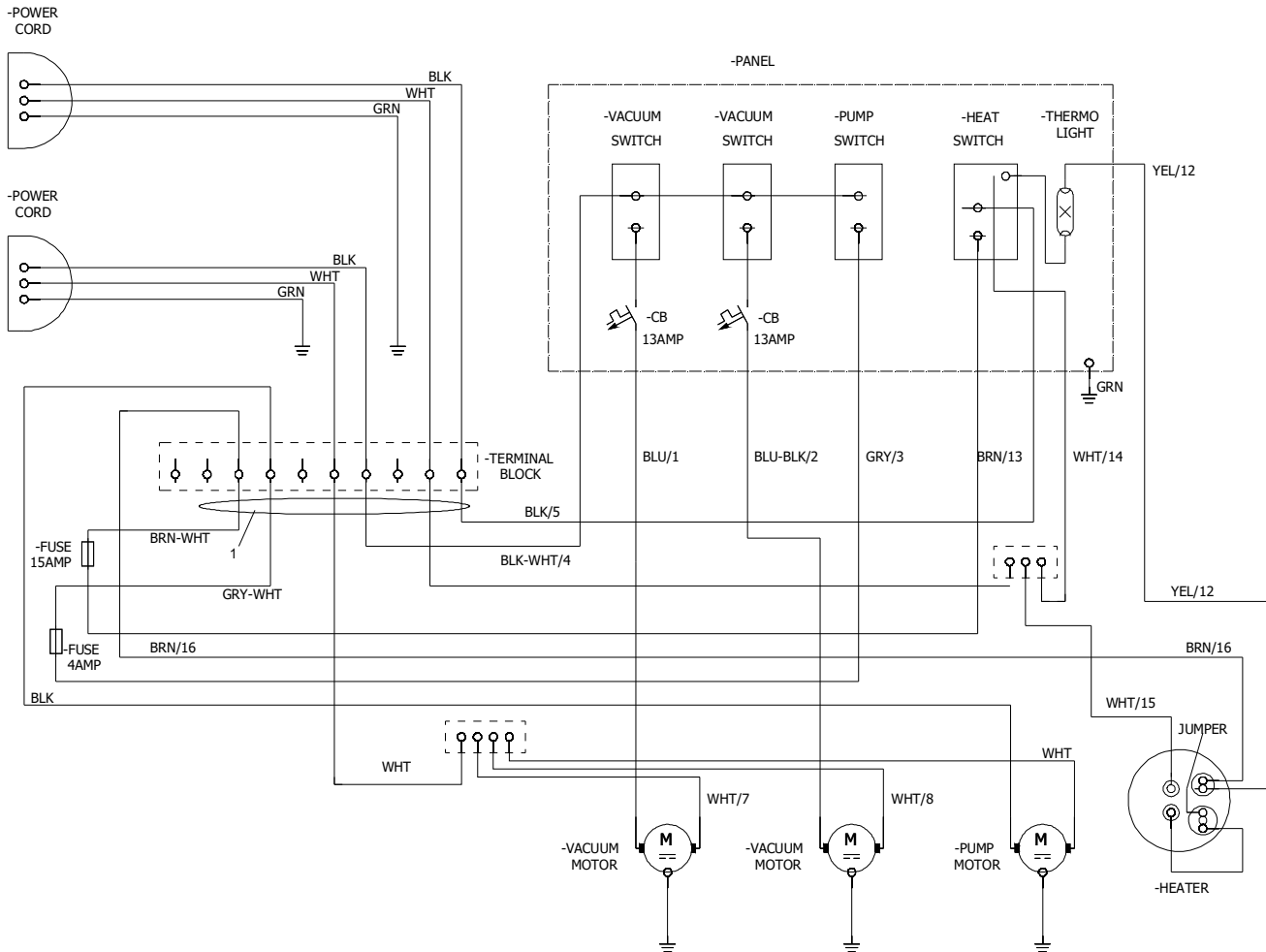


REF	PART NO.	QTY	DESCRIPTION	SERIAL NO. FROM	NOTES
1	86005810	8	NUT, 1/4-20 HEX NYLOCK SS		
2	86274090	5	SCR, 10-32 X 1.5 PPHMS		
3	86233430	2	CLAMP, 2.50 WORM GEAR		
4	86010630	16	WASHER, 1/4 X 5/8 FLAT SS		
5	86278990	8	WASHER, #8 X 3/8 FLAT		
6	86311520	1	MANIFOLD, VACUUM, DUAL		
7	86312990	1	GASKET, VAC MANIFOLD, DUAL		
8	86314710	8	SCR, 1/4-20 X 5.50 HHCS PLT		
9	86317630	8	SCR, #8 X 3/4" PPHSMS TYPE AB		
10	86318300	1	HOSE, VAC, 2.0 ID X 18.5"L		
11	86318760	2	VAC ASM, 2-STAGE, 120V		
12	86312080	2	COVER, VAC MOTOR		
13	86312220	2	BASE, VAC MOTOR, 2-STAGE		
-	86135320		SP BRUSHES SET (120V VAC)		
-	86319020	-	VAC HOUSING, 2-STAGE		INCLUDES 12, 13



REF	PART NO.	QTY	DESCRIPTION	SERIAL NO. FROM	NOTES
1	98407900	1	HARNESS KIT, SINGLE CORD		

Wiring with Heat



REF	PART NO.	QTY	DESCRIPTION	SERIAL NO. FROM	NOTES
1	98407920	1	HARNESS KIT, HEATED		

Serial Number

REF. NO.	MODEL: SERIAL #
1	**

