

**PROCHEM**

Kärcher Group

## **Spare Parts List**

**(1.007-070.0)**

**Ninja Warrior 1200 PSI**

From Serial Number (Ref No. 1\*)

\* See Serial number page or  
call Manufacturer.

 **CLICK TO ORDER PARTS**

## ***How to Use this Spare Parts List***

---

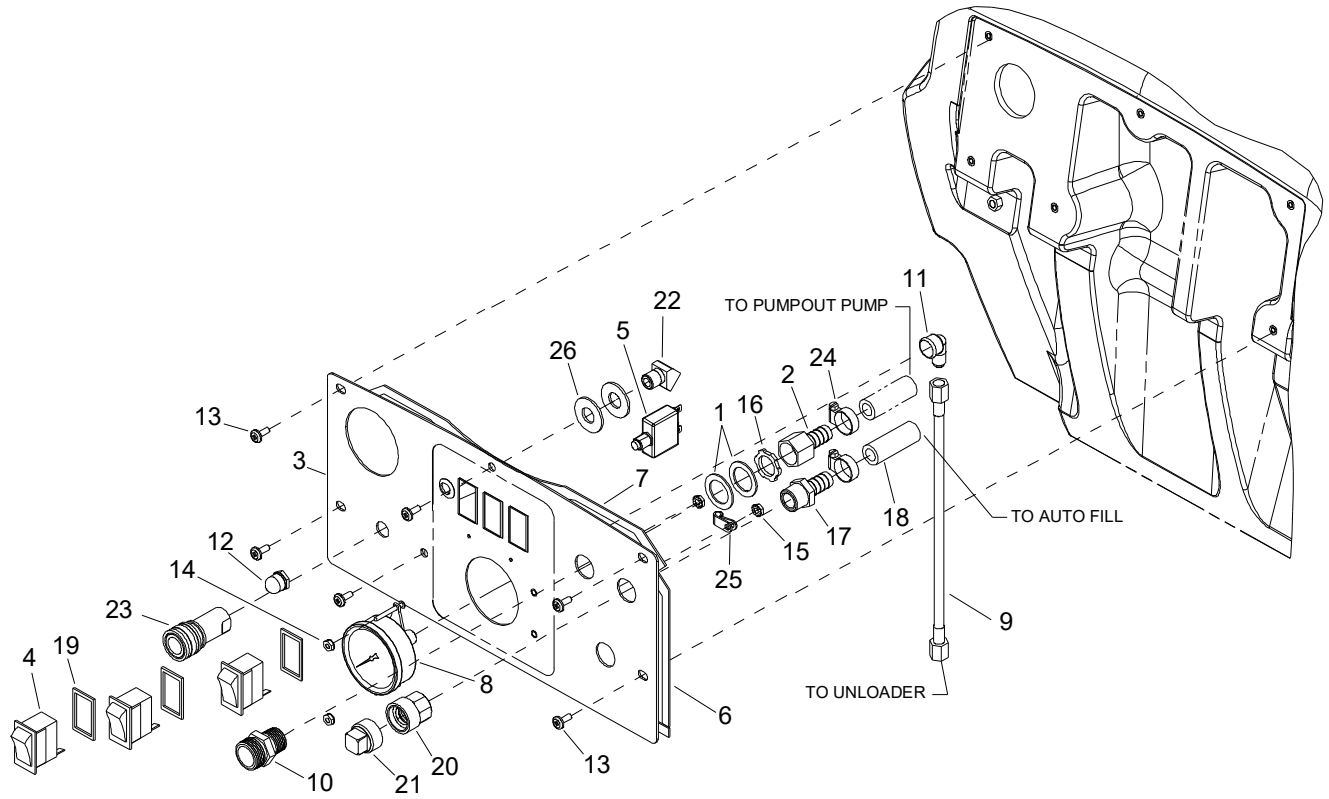
The PARTS LIST section contains assembled parts illustrations and corresponding parts list. The parts lists include a number of columns of information:

- REF - column refers to the reference number on the parts illustration.
- PART NO. - column lists the part number for the part.
- QTY - column lists the quantity of the part used in that area of the machine.
- DESCRIPTION - column is a brief description of the part.
- SERIAL NO. FROM - If this column has an (\*) and a Reference number, see the SERIAL NUMBERS page in the back of your manual. If column has two asterisk (\*\*), call manufacturer for serial number. The serial number indicates the first machine the part number is applicable to. The main illustration shows the most current design of the machine. When a boxed illustration is shown, it displays the older design.
- NOTES - column for information not noted by the other columns.

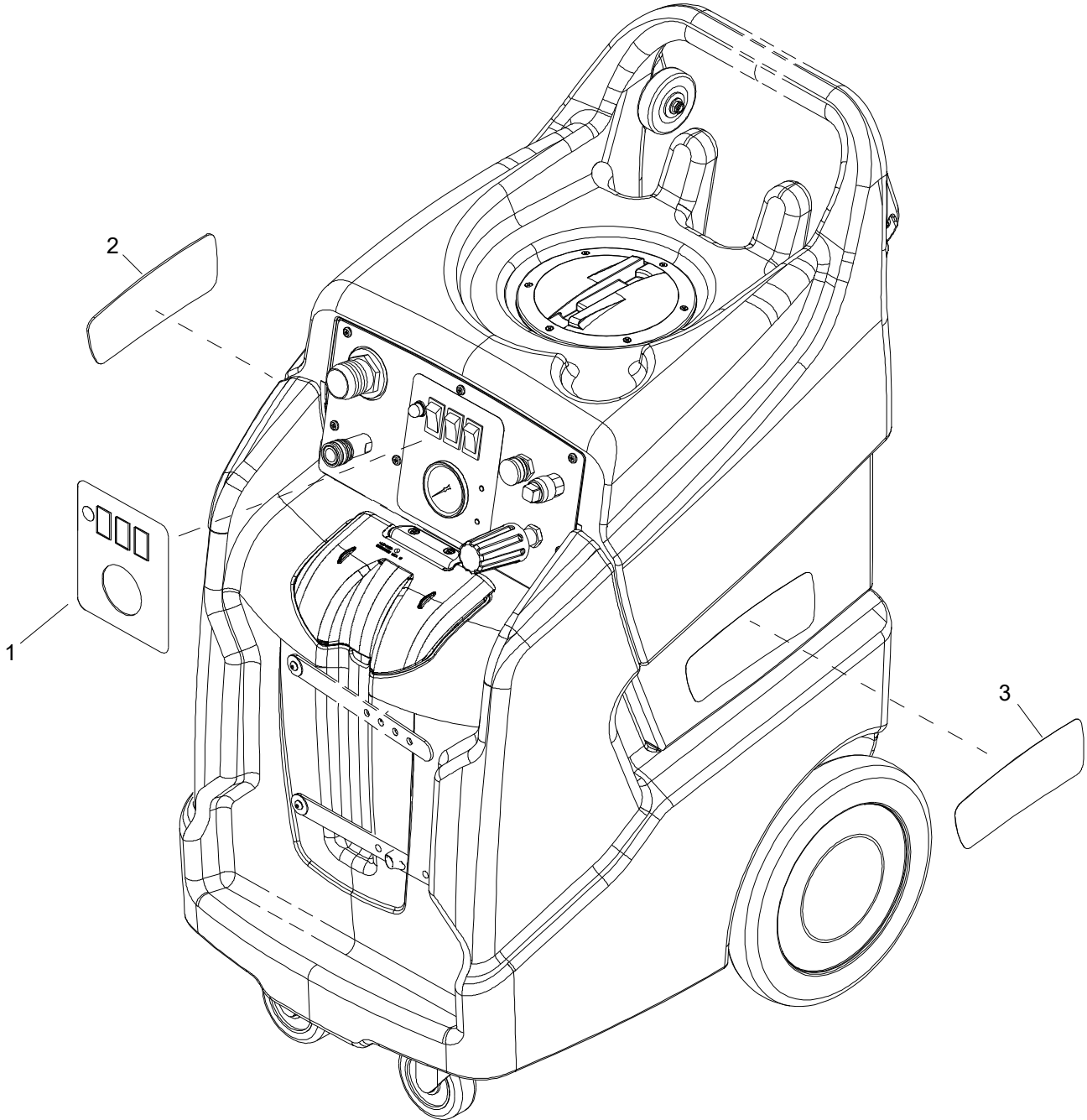
**NOTE:** *If a service or option kit is installed on your machine, be sure to keep the KIT INSTRUCTIONS which came with the kit. It contains replacement parts numbers needed for ordering future parts.*

<b>How to Use this Spare Parts List</b> .....	<b>2</b>
<b>Table of Contents</b> .....	<b>3</b>
Control Panel .....	4
Decals .....	6
Electrical .....	8
Frame .....	10
Pump .....	12
Pump-Out .....	14
Recovery .....	16
Solution .....	18
Vacuum .....	20
Wiring .....	22
Serial Number .....	24
Notes .....	25

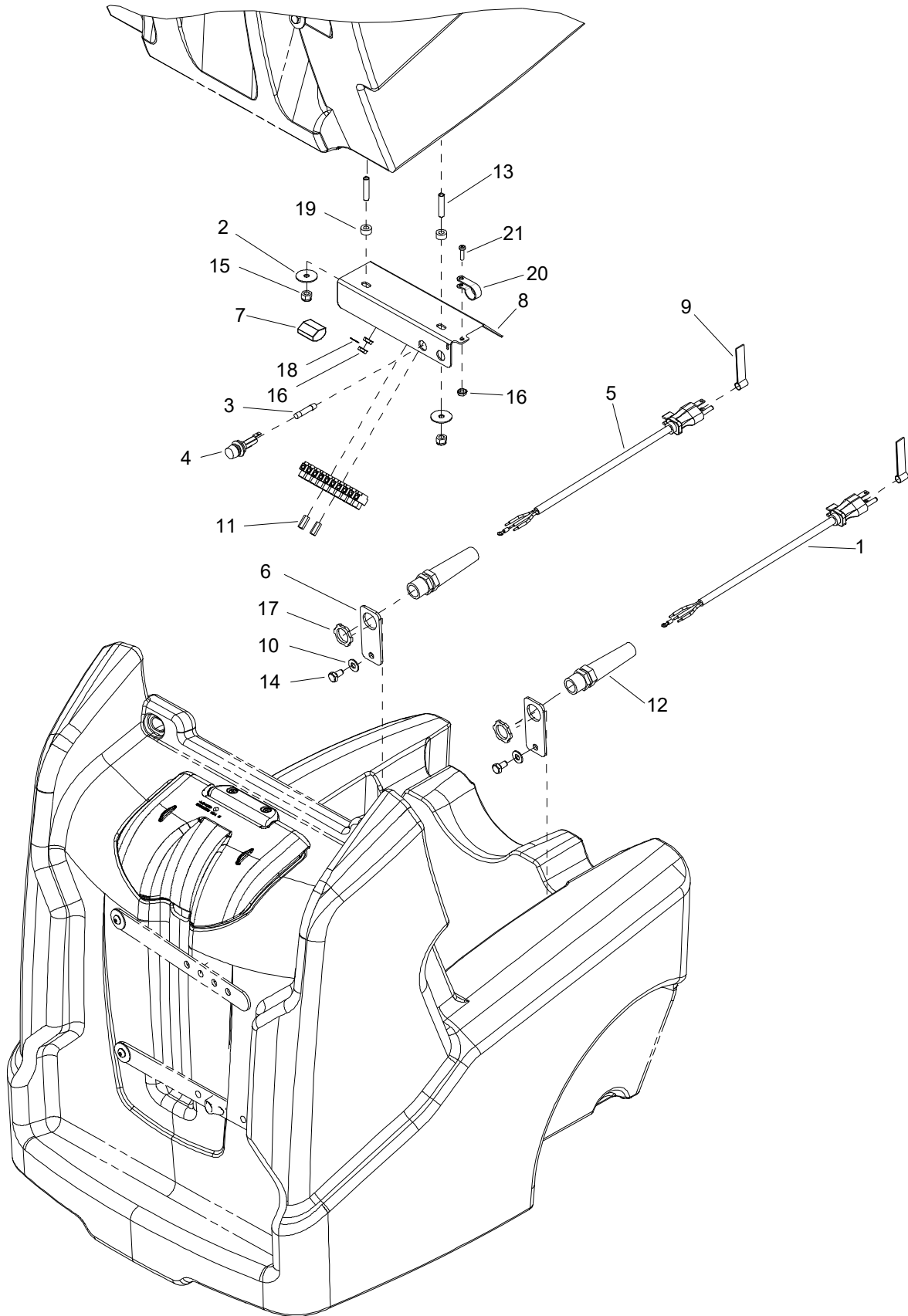
# Control Panel



REF	PART NO.	QTY	DESCRIPTION	SERIAL NO. FROM	NOTES
1	86327130	2	WASHER,.88IDX1.28ODX.062THK NYL		
2	86327080	1	HOSEBARB, 1/2 FPT X 1/2 BR		
3	86326690	1	PANEL, CONTROL, 1200		
4	86326660	3	SWITCH, SPST 2-POS ROCKER 20A		
5	86318320	1	BREAKER, 13A, 250VAC, 32VDC		
6	86313030	4	GASKET, .125 T X .25 W X 7.2		
7	86313020	2	GASKET, .125 T X .25 W X 15.6		
8	86308170	1	GAUGE, 2000 PSI		
9	86184590	1	HOSE, 3/16 X 25-1/2"		
10	86173530	1	ADAPTER, HOSE 1/2M X 3/4MGT		
11	86180350	1	ELL, 1/4FP X 1/4T BR		
12	86008900	1	BOOT, SEAL PUSH BUTTON 7/16		
13	86276820	6	SCR, 10-32 X 1/2 PTHMS BLK NP		
14	86005720	2	NUT, 8-32 W/STAR WASHER PLTD		
15	86005700	2	NUT, 10-32 HEX W/STAR		
16	86005670	1	NUT, 1/2 NPT CONDUIT		
17	86197910	1	HOSEBARB, 1/2MPT X 1/2 POLY DL		
18	86281950	1	HOSE, 1/2ID WIRE BOUND X 32"		
19	86238030	3	GASKET, SWITCH CARLING		
20	86197490	1	FITTING, GARDEN HOSE FX1/2FPT		
21	86197480	1	FITTING, MALE PLUG GARDEN HOSE		
22	86197390	1	ELBOW, 1/4NPT 45D STREET		
23	86002450	1	COUPLER, 1/4 QD		
24	86233150	2	CLAMP, 3/8 WORM GEAR		
25	86002370	1	CLAMP, 7/16 NYLON		
26	86202230	2	WASHER 9/16 S/S USS THICK		

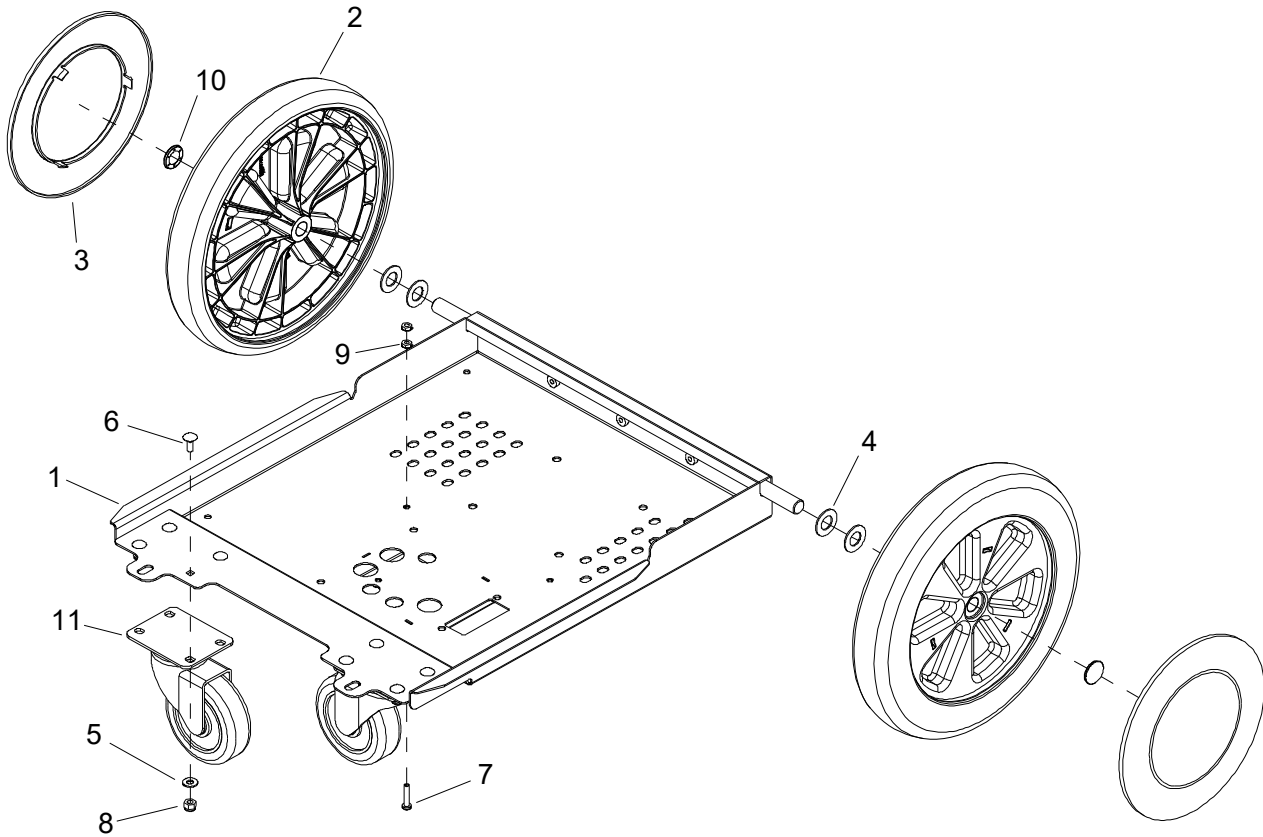


<b>REF</b>	<b>PART NO.</b>	<b>QTY</b>	<b>DESCRIPTION</b>	<b>SERIAL NO. FROM</b>	<b>NOTES</b>
1	86399310	1	LABEL, NINJA WARRIOR, 1200		
2	86399240	1	LABEL, NINJA, WARRIOR, RH		
3	86399230	1	LABEL, NINJA, WARRIOR, LH		



REF	PART NO.	QTY	DESCRIPTION	SERIAL NO. FROM	NOTES
1	86199530	1	CORD ASM, 12/ SJT X 25' BLK		
2	86323330	2	WASHER, 1/4 ID X 1.0 OD FLAT, BLK		
3	86319110	1	FUSE, 1/4" X 1 1/4", 4A		
4	86319090	1	FUSE HOLDER, PANEL MNT		
5	86318620	1	CORD ASM, 14/3 SJT X 25' BLK		
6	86316700	2	BRKT, CORD STRAIN RELIEF		
7	86316540	1	CONNECTOR, 5 POS, PUSH WIRE		
8	86316460	1	BRKT, ELECTRICAL		
9	86200570	2	LABEL CIRCUIT INTERRUPTER		
10	86010630	2	WASHER, 1/4 X 5/8 FLAT SS		
11	86255900	2	STANDOFF, 6-32 X 5/8 HEX NYL		
12	86256200	2	STRAIN RELEIF, 1/2 NPT FLEX		
13	86006850	2	SCR, 1/4-20 X 1.25 SSSCU		
14	86273830	2	SCR, 1/4-20 X 1/2 HHCS SS		
15	86005810	2	NUT, 1/4-20 HEX NYLOCK SS		
16	86005700	3	NUT, 10-32 HEX W/STAR		
17	86005670	2	NUT, 1/2 NPT CONDUIT		
18	86245040	1	LABEL, GROUND SYMBOL		
19	86201510	2	SPACER NYLON 1/4ID X 1/2 OD		
20	86198460	1	CLAMP, 5/8 NYLON UL/CSA		
21	86006590	1	SCREW, 10-32 X 1/2 PPHMS SS NP		

# Frame

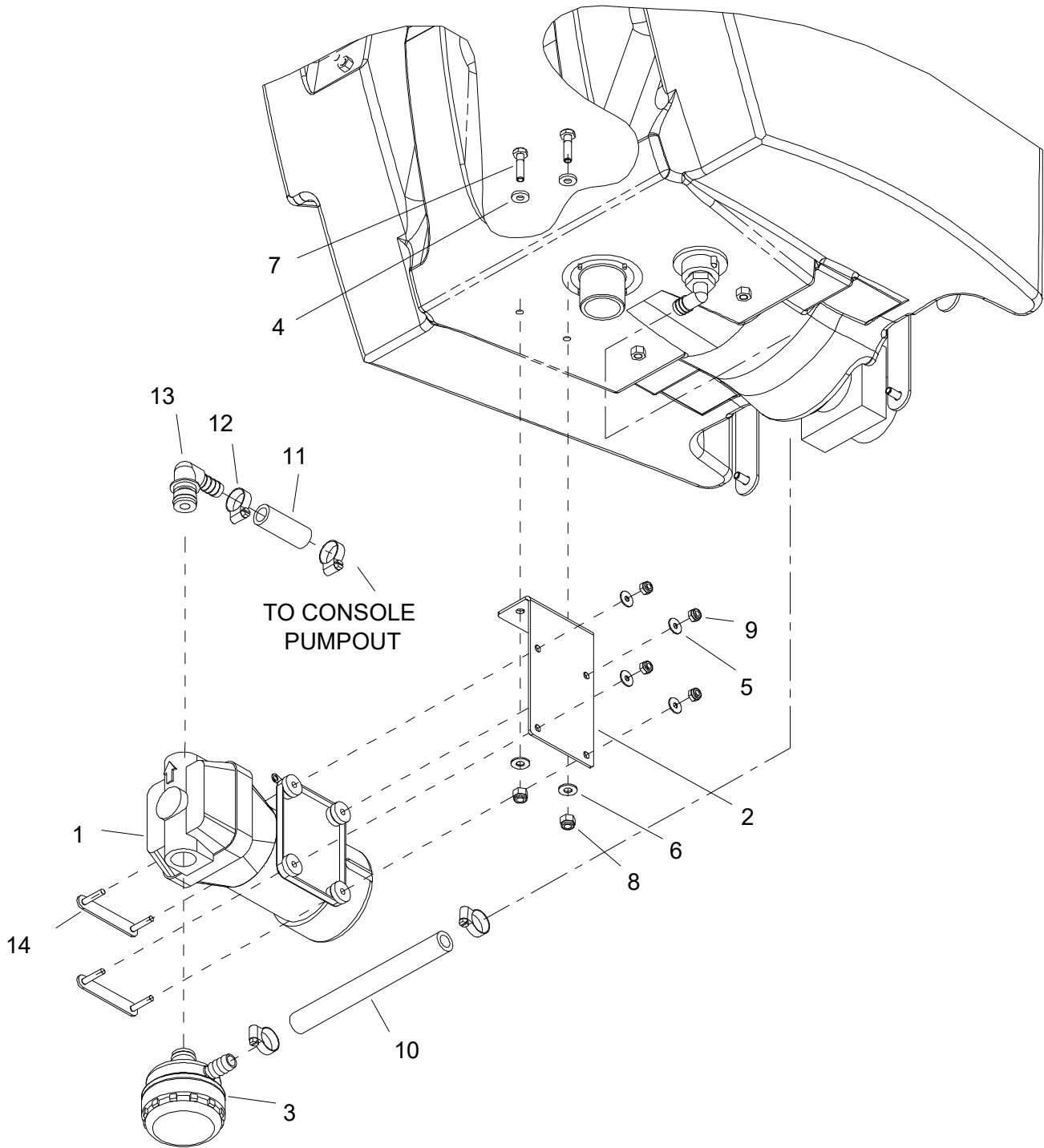


REF	PART NO.	QTY	DESCRIPTION	SERIAL NO. FROM	NOTES
1	86319830	1	FRAME, 5/8" AXLE, SINGLE VAC		
2	86309790	2	WHEEL, 12" X 2.25"		
3	86300070	2	HUBCAP, 9.75" WHEEL		
4	86010730	4	WASHER, 5/8 X 1-3/16 FLAT SS		
5	86010630	8	WASHER, 1/4 X 5/8 FLAT SS		
6	86277500	8	SCR, 1/4-20 X 5/8 CARRIAGE SS		
7	86276080	1	SCR, 10-32 X 1" PPHMS GRN		
8	86005810	8	NUT, 1/4-20 HEX NYLOCK SS		
9	86005700	2	NUT, 10-32 HEX W/STAR		
10	86001660	2	HUBCAP, 5/8 SHAFT		
11	86199430	2	CASTER, SWIVEL 4" 250# CPCTY		



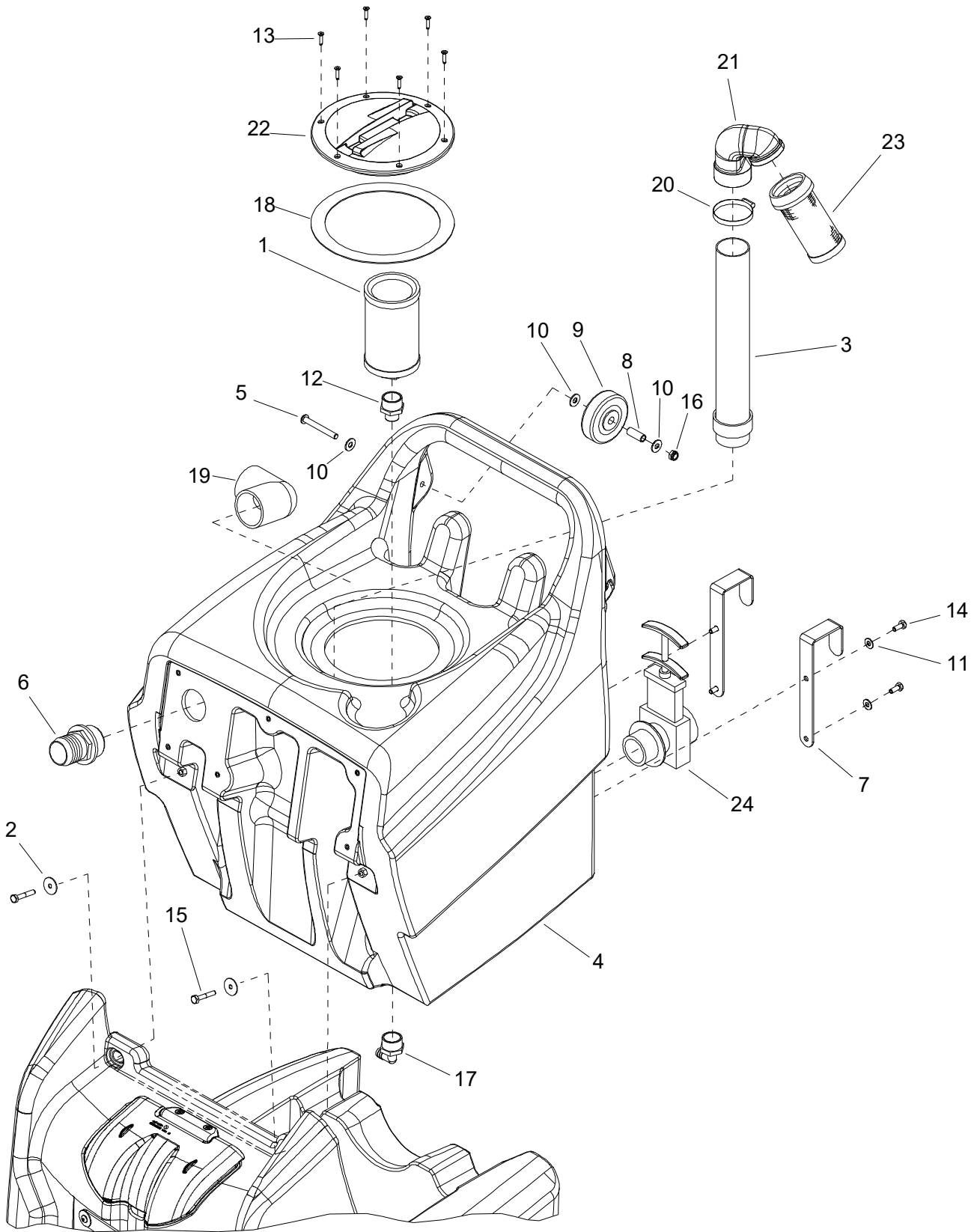
REF	PART NO.	QTY	DESCRIPTION	SERIAL NO. FROM	NOTES
1	86282320	1	HOSE, 1/2ID WIRE BOUND X 49"		
2	86321710	1	PUMP HEAD, 1200PSI		
3	86321700	1	PUMP MOTOR, 1200PSI, 120V		
4	86308220	1	HOSE,PULSE 27.0 3/8MPTX1/4MPT		
5	86368980	1	UNLOADER, 1200PSI W/KNOB		
6	86197610	1	HOSEBARB, 3/8MPTX3/8 90D DL		
7	86197730	1	TEE, 1/4 BRANCH		
8	86398950	1	HOSE,PULSE 32.0 1/4MPTx1/4MPT		
9	86197540	1	HOSEBARB, 3/8MPT X 1/2HOSE		
10	86321470	1	HOSE, 3/8 ID WIRE BOUND X 26"		
11	86197420	2	ELBOW, 3/8NPT STREET		
12	86197360	1	ELBOW, 1/4 NPT STREET		
13	86233150	2	CLAMP, 3/8 WORM GEAR		
14	86197290	2	BUSHING, 3/8 MPT X 1/4 FPT HEX		
15	86180340	1	ELL, 1/4P X 1/4T BR		
16	86190520	2	PLUG, 3/8 SOCHD BR		
-	86313060	1	PUMP ASM, 1200, 120V		INCLUDES 1-16
17	86270960	4	NUT, 1/4-20 CAPTIVE		
18	86010630	4	WASHER, 1/4 X 5/8 FLAT SS		
19	86274750	4	SCR, 1/4-20 X 3/4 HHCS PLTD		
20	86227950	1	BAND, ELASTIC 2.5 X .75 X .035		
-	86264960	1	CABLE TIE, .375 X 43"		NOT SHOWN
21	86329900	1	LOOM, 3/4" X 21",SPLIT, FLAME RET		
22	86264940	3	CABLE TIE 11.38" UL/CSA		
-	86368990	1	UNLOADER KIT, 1200PSI		INCLUDES ITEM 6

# Pump-Out

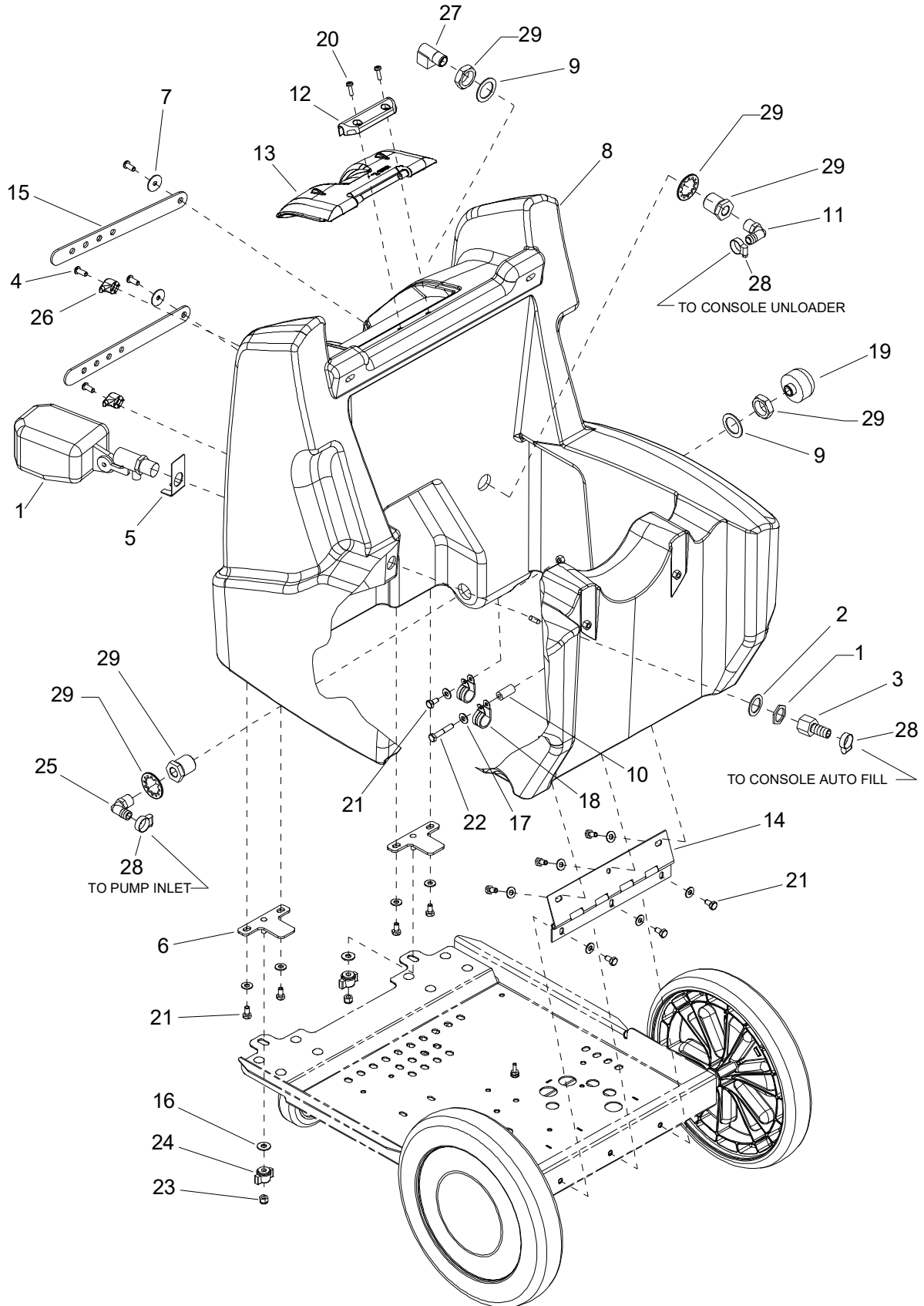


REF	PART NO.	QTY	DESCRIPTION	SERIAL NO. FROM	NOTES
1	86327640	1	PUMP ASM, PUMPOUT		
2	86329400	1	BRKT, PUMP, MOUNTING		
3	86325390	1	STRAINER, 20 MESH, FLOJET		
4	86279610	2	WASHER, SEAL 1/4X5/8OD SS		
5	86010650	4	WASHER, #10 X 9/16 FLAT		
6	86010630	2	WASHER, 1/4 X 5/8 FLAT SS		
7	86273810	2	SCR, 1/4-20 X 1.00 HHCS SS		
8	86005810	2	NUT, 1/4-20 HEX NYLOCK SS		
9	87188600	4	NUT, 10/32", ESNA, SS		
10	86329430	1	HOSE, 1/2ID WIRE BOUND X 11"		
11	86281950	1	HOSE, 1/2ID WIRE BOUND X 32"		
12	86233150	4	CLAMP, 3/8 WORM GEAR		
13	86325400	1	ELL, 5/8 SLIP X 1/2 HOSEBARB		
14	86329410	2	BRKT, PUMPOUT, RETAINER		

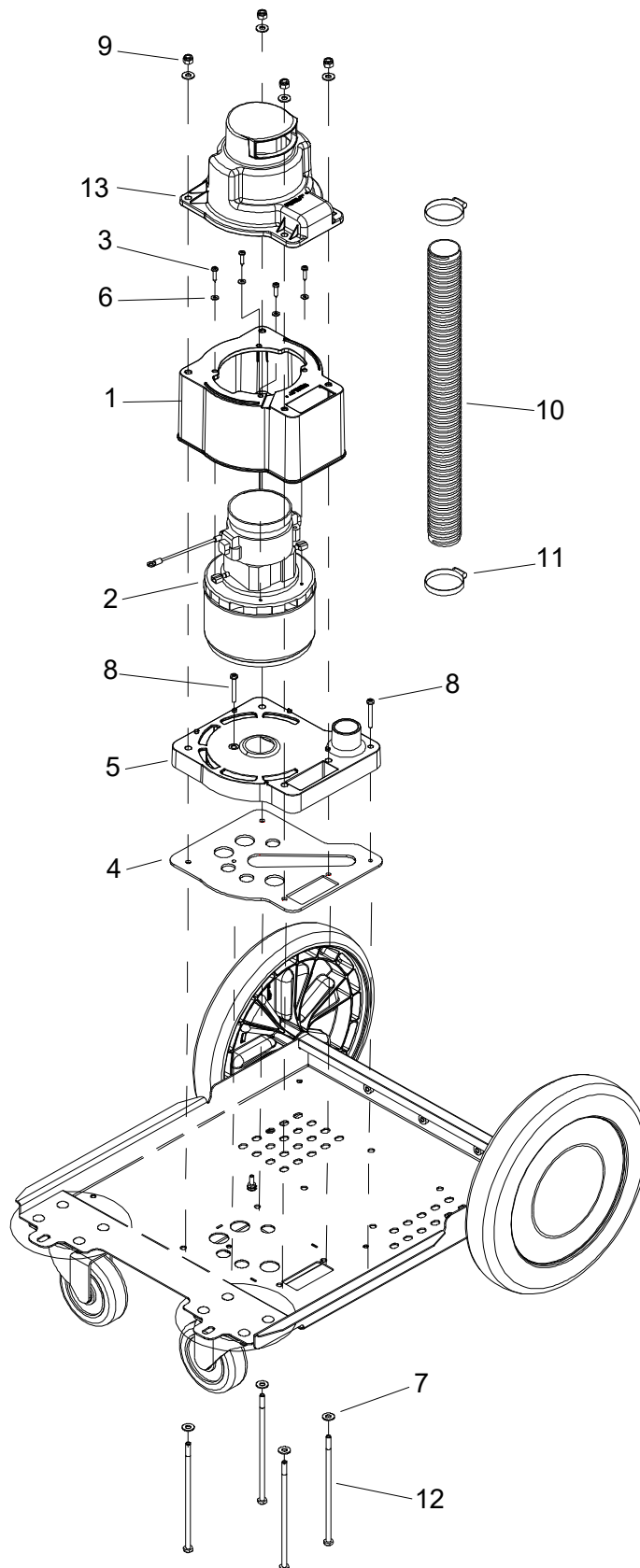
# Recovery



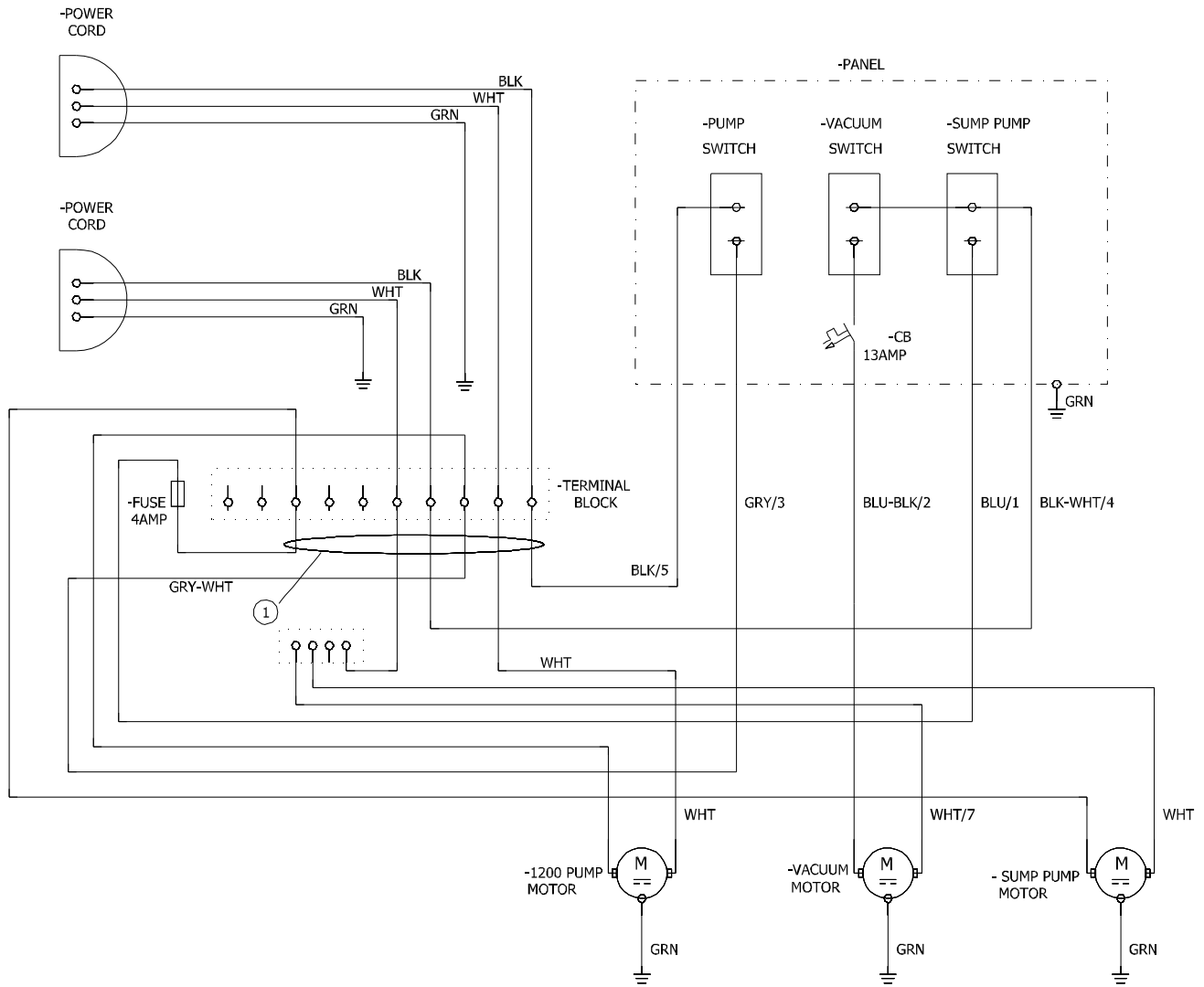
REF	PART NO.	QTY	DESCRIPTION	SERIAL NO. FROM	NOTES
1	86325590	1	STRAINER, 30 MESH, 3/4F		
2	86323330	2	WASHER, 1/4 ID X 1.0 OD FLAT, BLK		
3	86321720	1	PIPE ASM, 1.5", VACUUM		
4	86321160	1	TANK, REC, TRIM, AD		
5	86317720	2	SCR, 5/16-18 X 2.50 BSHCS SS		
6	86317230	1	HOSEBARB, 1.5MPT X 1.5 W/FLNG		
7	86316710	2	BRKT, CORD, MOUNT		
8	86001350	2	BUSHING, SPANNER .435 X 1.10		
9	86011020	2	WHEEL, 3" DIA. CUSHION RUBBER		
10	86010670	6	WASHER, 5/16 X 3/4 SS		
11	86010630	4	WASHER, 1/4 X 5/8 FLAT SS		
12	86236860	1	FTG, NIPPLE REDUCER 3/4" X 1/2		
13	86275800	6	SCR, 8 X 3/4 PFHT/S BLK ZINC		
14	86273750	4	SCR, 1/4-20 X 5/8 HHCS SS		
15	86273740	2	SCR, 1/4-20 X 1.50 HHCS SS		
16	86197040	2	NUT, 5/16-18 HEX ACORN PLTD		
17	86001530	1	HOSEBARB, 1/2MPT X 1/2 HOSE 90		
18	86004000	1	GASKET, TANK LID		
19	86197820	1	ELBOW, 1.5 FPT X FS PVC		
20	86002380	1	CLAMP, 2.25 WORM GEAR		
21	86227120	1	ADAPTER, FLOAT 30 DEG		
22	86334490	1	DECK PLATE ASM, 6", YLW		
23	86199840	1	FLOAT SCREEN CAGE ASSY (SLIP)		
24	86161460	1	DUMP VALVE, 1 1/2"		



REF	PART NO.	QTY	DESCRIPTION	SERIAL NO. FROM	NOTES
1	87100370	1	FLOAT VALVE, BR END, 142PSI		2 COMPONENTS
2	86327130	1	WASHER,.88IDX1.28ODX.062THK NYL		
3	86327090	1	HOSEBARB, 1/2F STR X 1/2 BR		
4	86324210	4	SCR, 1/4-20 X 5/8 BHCS BLK		
5	86324200	1	BRKT, LOCKING, AUTO FILL		
6	86324030	2	BRKT, MOUNTING, SOLUTION		
7	86323330	2	WASHER, 1/4 ID X 1.0 OD FLAT, BLK		
8	87596030	1	TANK SOLUTION 13G BLACK AF		
9	86318790	2	WASHER, 1.032ID X 1.5OD X .062THK		
10	86298850	1	SPACER, .74ODX.39IDX1.0L NYL		
11	86197600	1	HOSEBARB, 1/4MPT X 3/8 90D DL		
12	86312010	1	LID, SOLUTION, HINGE BRKT		
13	86312000	1	LID, SOLUTION, COVER		
14	86311990	1	HINGE, 9.5" LG X .074 THK		
15	86297620	2	STRAP, HAND TOOL		
16	86010670	2	WASHER, 5/16 X 3/4 SS		
17	86010630	11	WASHER, 1/4 X 5/8 FLAT SS		
18	86233410	1	CLAMP, 3/4 DIA CUSHION .406 DIA		
19	86007970	1	STRAINER, 3/8 IN. NPT 60 MESH		
20	86276160	2	SCR, 10-32 X 5/8 PPHMS BLK		
21	86273830	10	SCR, 1/4-20 X 1/2 HHCS SS		
22	86273740	1	SCR, 1/4-20 X 1.50 HHCS SS		
23	86005810	2	NUT, 1/4-20 HEX NYLOCK SS		
24	86242130	2	KNOB, 1/4 HEX PRESS-LOC WING		
25	86197940	1	HOSEBARB, 3/8 MPT X 1/2 HOSE 90		
26	86238460	2	HOOK, STRAP		
27	86197420	1	ELBOW, 3/8NPT STREET		
28	86233150	3	CLAMP, 3/8 WORM GEAR		
29	86173640	2	ADPT,3/8 BLKHD		MULTIPLE COMPONENTS



REF	PART NO.	QTY	DESCRIPTION	SERIAL NO. FROM	NOTES
1	86312120	1	BASE, VAC MOTOR, 3-STAGE		
2	86318770	1	VAC ASM, 3-STAGE, 120V		
3	86317630	4	SCR, #8 X 3/4" PPHSMS TYPE AB		
4	86313810	1	GASKET, VAC MANIFOLD, SINGLE		
5	86312340	1	MANIFOLD, VACUUM		
6	86278990	4	WASHER, #8 X 3/8 FLAT		
7	86010630	8	WASHER, 1/4 X 5/8 FLAT SS		
8	86274090	2	SCR, 10-32 X 1.5 PPHMS		
9	86005810	4	NUT, 1/4-20 HEX NYLOCK SS		
10	86004300	1	HOSE, VAC, 1.5 ID X 30"L		
11	86002390	2	CLAMP, 1.75" WORM GEAR X .312		
12	86277840	4	SCR, 1/4-20 X 6.5 HHCS PLT		
13	86312080	1	COVER, VAC MOTOR		
-	86319030	1	VAC HOUSING, 3 STAGE		INCLUDES 86312080, 86312120



<b>REF</b>	<b>PART NO.</b>	<b>QTY</b>	<b>DESCRIPTION</b>	<b>SERIAL NO. FROM</b>	<b>NOTES</b>
1	86324280	1	HARNESS, MAIN, DUAL CORD, 1200		

## **Serial Number**

---

REF. NO.	MODEL: SERIAL #
1	TBD

