

## Spare parts list

(1.008-062.0) BRC 40/22 C

 **CLICK TO ORDER PARTS**

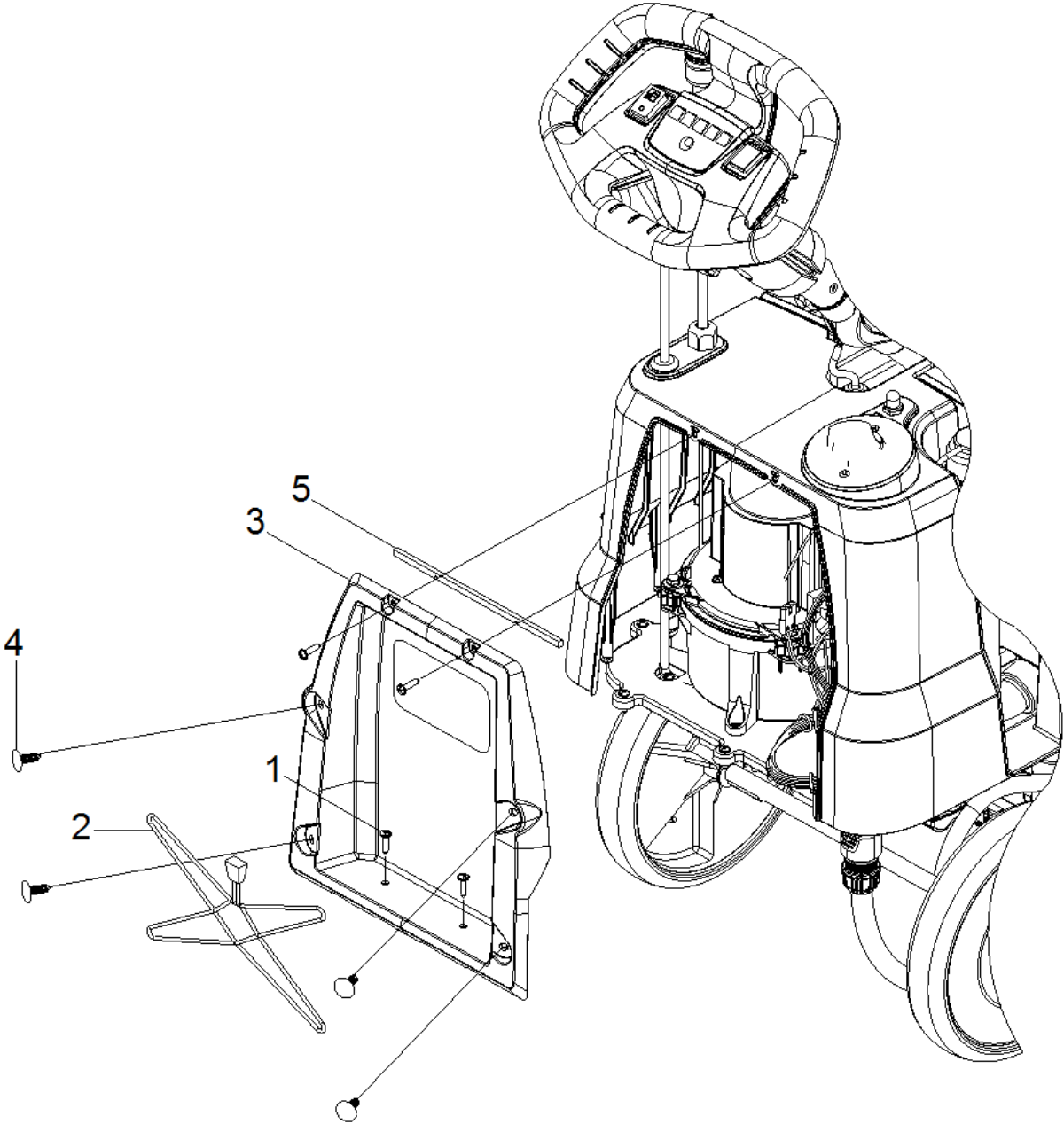
## Table of contents

---

10 BRC 40/22 C (1.008-062.0)	3
10 GROUP, ACCESS PANEL (8.640-286.0)	4
20 GROUP, FRAME (8.640-291.0)	6
30 GROUP, RECOVERY (8.640-292.0)	8
40 GROUP, SOLUTION (8.640-293.0)	10
29 ASSEMBLY, SUCTION TUBE, BRC 40/22 (8.641-531.0)	12
30 GROUP ASSEMBLY, PUMP 230V (8.641-334.0)	14
50 GROUP, STEERING (8.640-295.0)	16
2 UPPER STEERING PILLAR (8.640-343.0)	18
60 GROUP, TOWER (8.640-296.0)	20
70 GROUP, VACUUM (8.640-297.0)	22
1 GROUP ASSEMBLY, VACUUM 230V (8.641-335.0)	24
80 GROUP, UPPER DECK, 230V (8.641-706.0)	26
81 Group brush drive (8.638-943.0)	29
2 Gear case replacement (4.037-033.0)	31
2 Brush transmission (8.641-330.0)	33
25 Carriage complete for replacement (4.037-120.0)	35
90 GROUP, SUCTION BAR (8.640-303.0)	37
8 ASSEMBLY, VACUUM SHOE, BRC 40/22 (8.641-247.0)	39
120 GROUP, ELECTRICAL, 230V (8.641-327.0)	41

10 BRC 40/22 C (1.008-062.0)

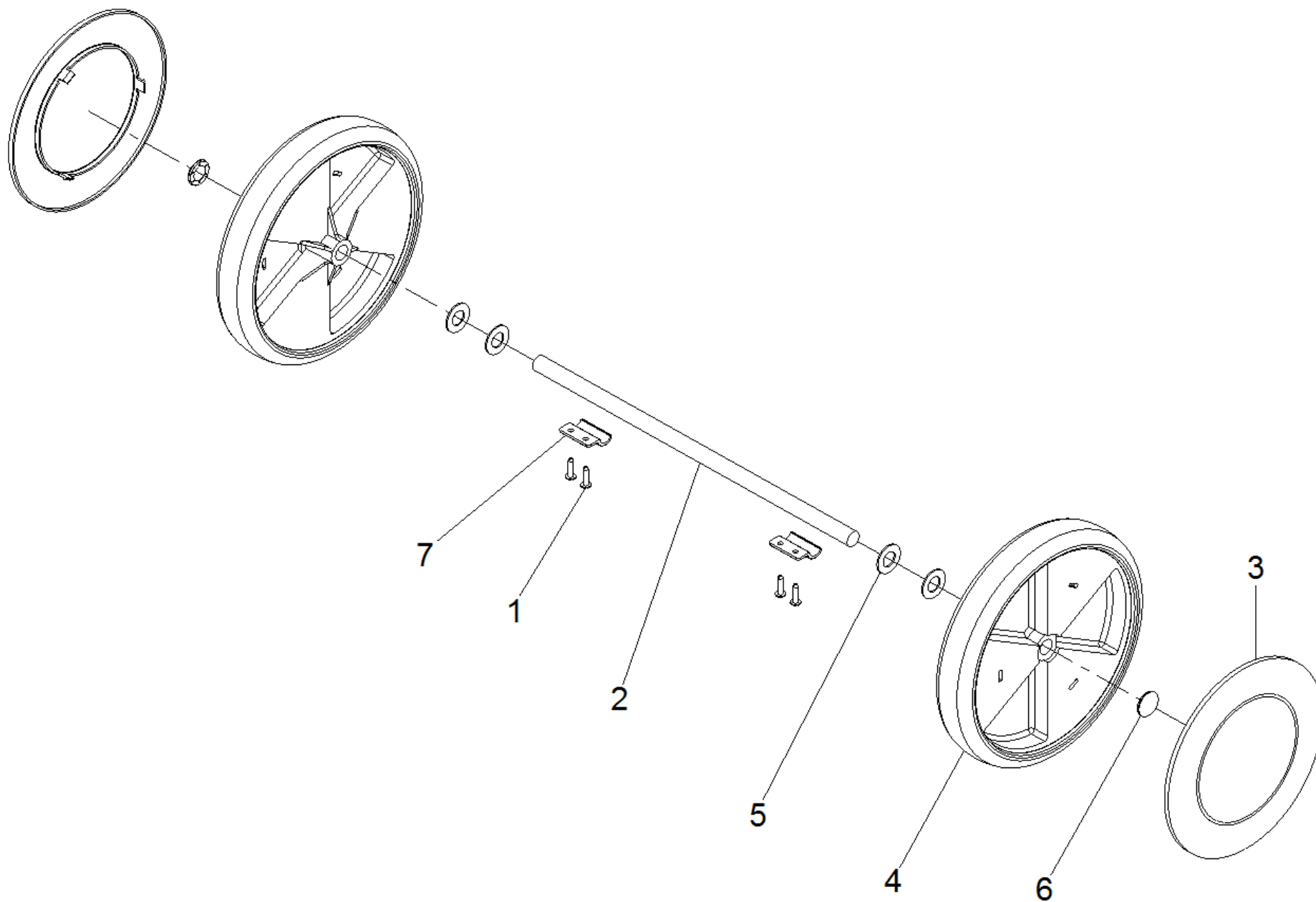
POS	Article no.	Description	Quantity	Unit	valid from
10	8.640-286.0	GROUP, ACCESS PANEL	1	PC	
20	8.640-291.0	GROUP, FRAME	1	PC	
30	8.640-292.0	GROUP, RECOVERY	1	PC	
40	8.640-293.0	GROUP, SOLUTION	1	PC	
50	8.640-295.0	GROUP, STEERING	1	PC	
60	8.640-296.0	GROUP, TOWER	1	PC	
70	8.640-297.0	GROUP, VACUUM	1	PC	
80	8.641-706.0	GROUP, UPPER DECK, 230V	1	PC	
81	8.638-943.0	Group brush drive	1	PC	1377
90	8.640-303.0	GROUP, SUCTION BAR	1	PC	
120	8.641-327.0	GROUP, ELECTRICAL, 230V	1	PC	
1040	8.638-681.0	MACHINE ELECTRICAL, BRC 40/22 230V	1	PC	



10 GROUP, ACCESS PANEL (8.640-286.0)

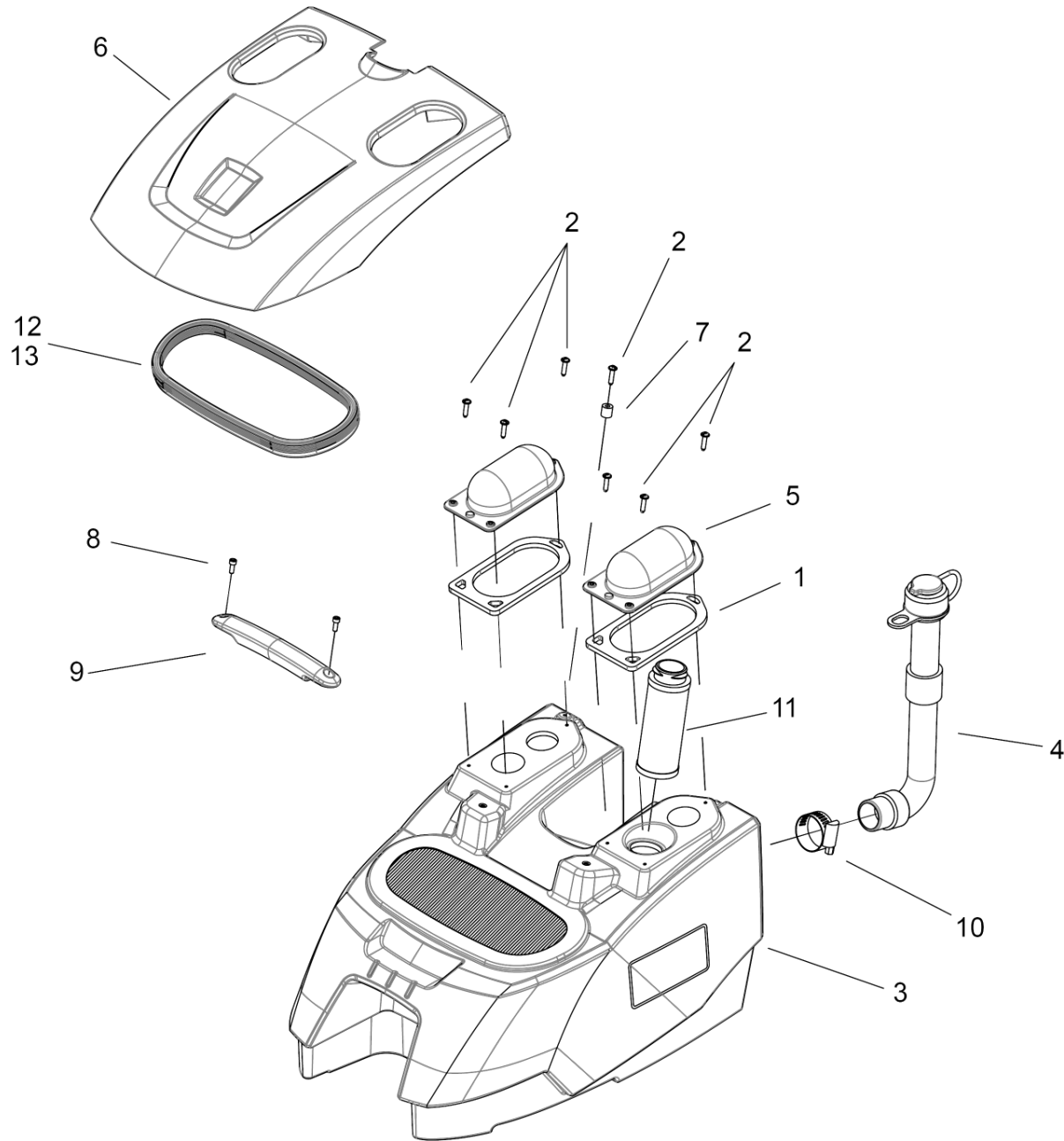
---

POS	Article no.	Description	Quantity	Unit
1	8.640-335.0	SCREW, KA50X20 TSLTD SS BLK ZNPLT	4	PC
2	8.640-300.0	CARGO NET	1	PC
3	8.639-713.0	DOOR, COVER, TOWER	1	PC
4	8.637-933.0	CLIP, X-MAS TREE, BLACK	4	PC
5	8.641-312.0	GASKET, ACCESS PANEL	1	PC



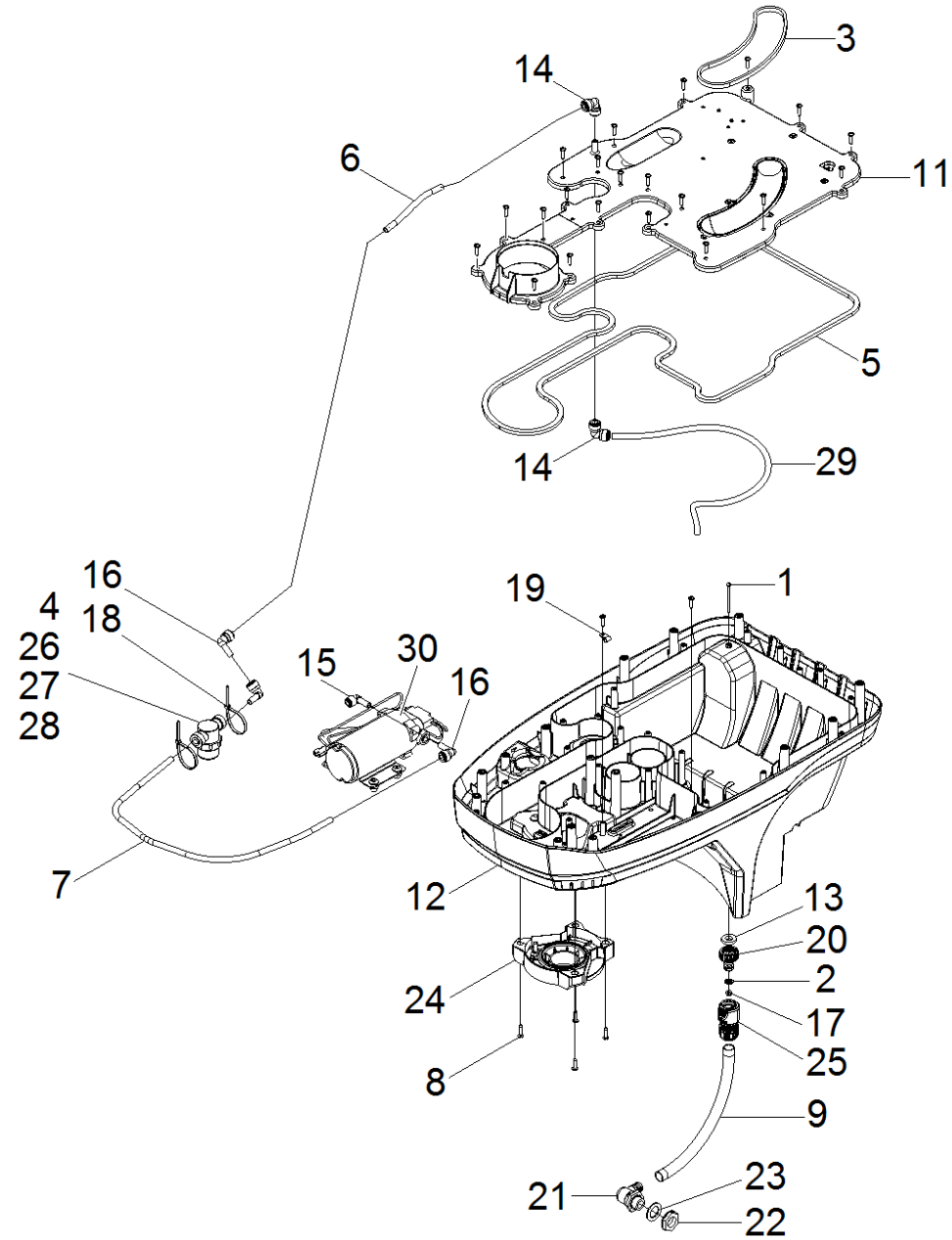
20 GROUP, FRAME (8.640-291.0)

POS	Article no.	Description	Quantity	Unit
1	8.640-335.0	SCREW, KA50X20 TSLTD SS BLK ZNPLT	4	PC
2	8.640-068.0	AXLE, 5/8" OD	1	PC
3	8.621-948.0	HUBCAP, 9.75" WHEEL	2	PC
4	8.622-605.0	WHEEL, 9.75" X 1.5"	2	PC
5	7.777-999.0	Stockpiling discontinued	4	PC
6	8.600-166.0	HUBCAP, 5/8" SHAFT	2	PC
7	5.037-309.0	Fixing axle	2	PC



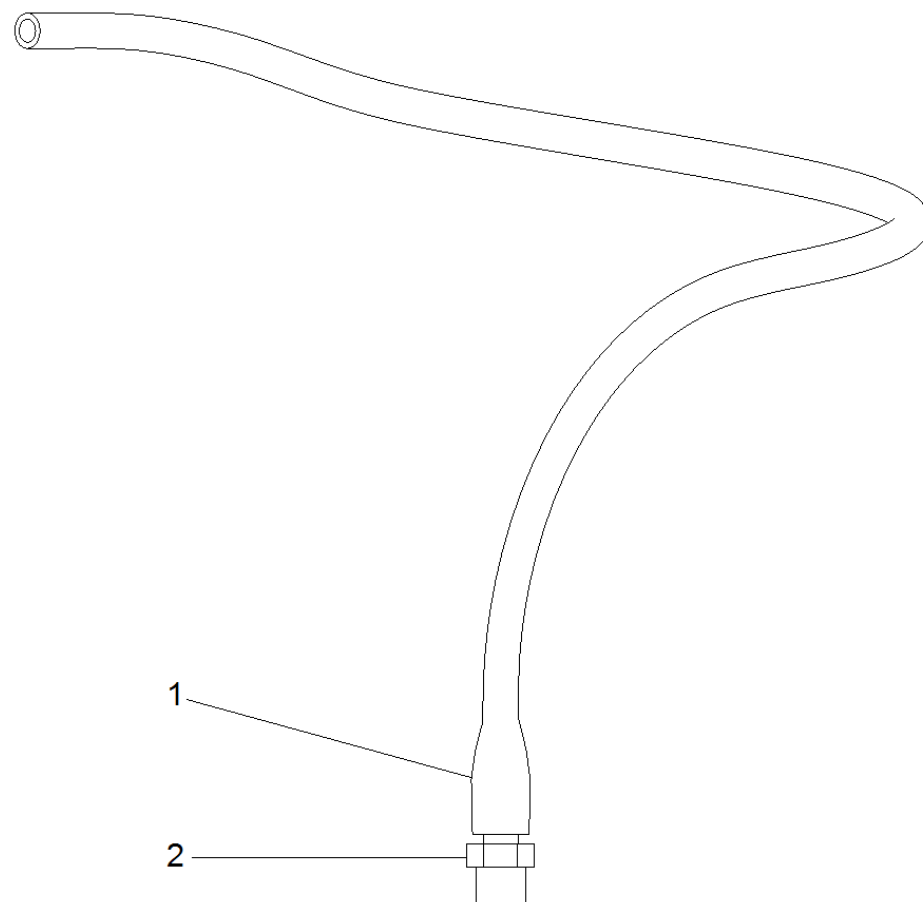
30 GROUP, RECOVERY (8.640-292.0)

POS	Article no.	Description	Quantity	Unit	Foot note text
1	8.640-341.0	GASKET, DOME, .25" THICK	2	PC	
2	8.640-335.0	SCREW, KA50X20 TSLTD SS BLK ZNPLT	7	PC	
3	8.640-274.0	ARMADA RECOVERY TANK, TRIMMED	1	PC	
4	8.640-257.0	RECOVERY DRAIN HOSE, 12" LG	1	PC	
5	8.639-719.0	DOME, CLEAR, RECOVERY	2	PC	
6	8.639-714.0	LID, DOME, RECOVERY	1	PC	
7	8.627-839.0	SPACER, 1/2"ODX.219IDX1/2"NYLO BLACK	1	PC	
8	8.627-354.0	SCREW, 10-32 X .5 SCHCS SS	2	PC	
9	8.621-853.0	HANDLE, RECOVERY TANK	1	PC	
10	8.617-705.0	CLAMP, HOSE #20	1	PC	
11	8.600-363.0	Float SHUT-OFF	1	PC	
12	5.170-032.0	Sealing profile 2050 mm	1	PC	TO ORDER AS CUT GOODS
13	8.640-285.0	GASKET, LID, 27.75"	1	PC	
	<b>Item text1:</b> Service Gasket				



40 GROUP, SOLUTION (8.640-293.0)

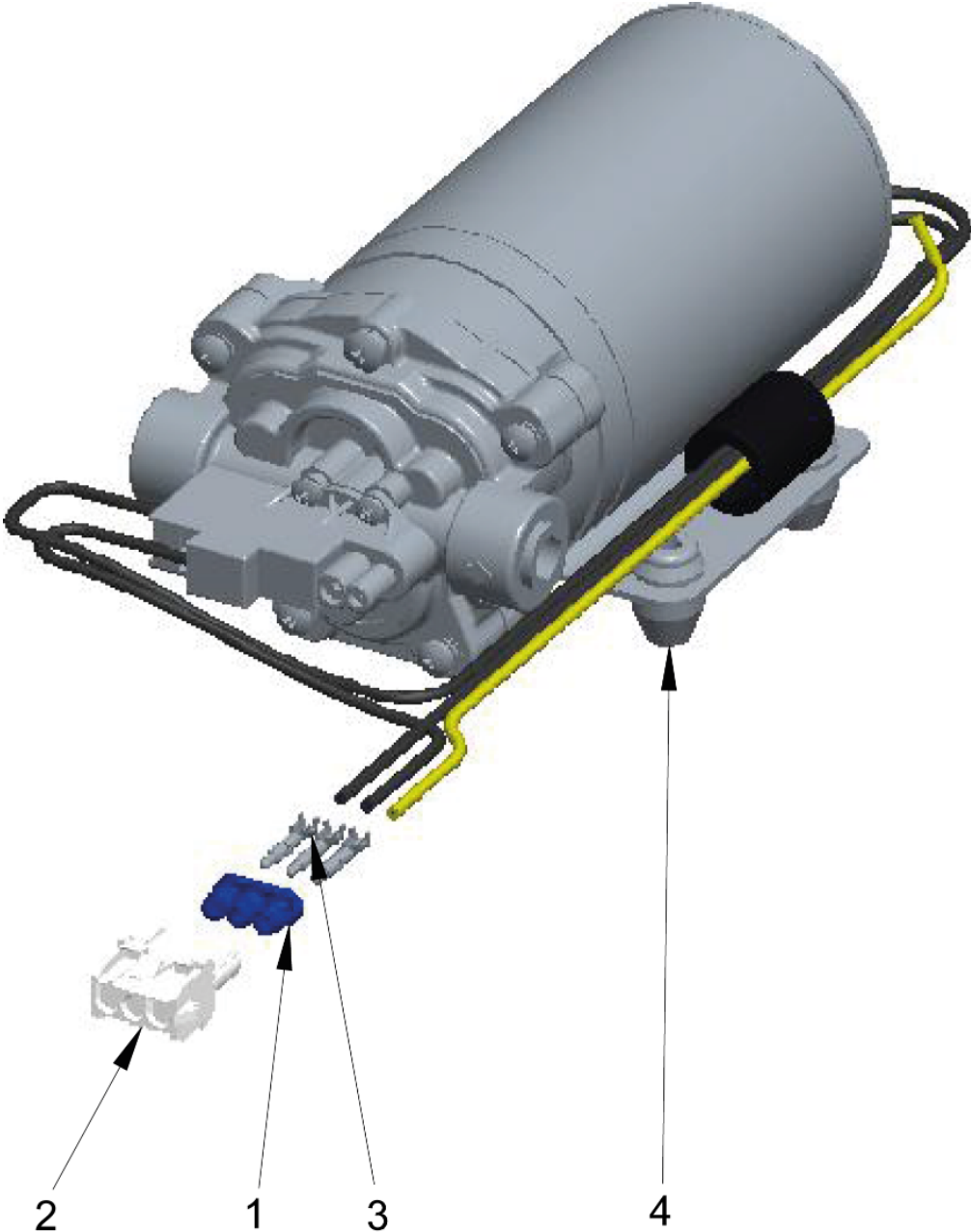
POS	Article no.	Description	Quantity	Unit
1	8.641-283.0	SCREW, 8-32 X 2.25 PHPNHMS SS	1	PC
2	8.641-282.0	WASHER, .180 X .60 FLT SS	1	PC
3	8.636-027.0	GASKET, .188 X .31 X 22.8	1	PC
4	8.640-946.0	STRAINER, ASSEMBLY	1	PC
5	8.640-525.0	Gasket tank seal	1	PC
6	8.640-339.0	HOSE, 3/8" OD, 6.125" LENGTH	1	PC
7	8.640-338.0	HOSE, 3/8" OD, 27" LENGTH	1	PC
8	7.777-999.0	Stockpiling discontinued	27	PC
9	8.640-304.0	HOSE, 9/16"ID X 3/4"OD, 10.375" L	1	PC
11	8.641-726.0	SOLUTION PLATE FIELD REPAIR KIT	1	PC
12	8.639-710.0	TANK, SOLUTION BASE	1	PC
13	8.639-408.0	WASHER, .500 X 1 X .188 NPRN	1	PC
14	8.636-764.0	ELBOW, UNION, JG, 3/8 TUBE	2	PC
15	8.636-713.0	ELBOW, JG, 3/8 STEM X 1/4 TUBE	1	PC
16	8.636-712.0	ELBOW, JG, 3/8 STEM X 3/8 TUBE	3	PC
17	8.627-085.0	Lock nut	1	PC
18	8.626-494.0	Cable tie 11.38" UL/CSA	2	PC
19	8.619-844.0	CLAMP, 1/4 PLASTIC CABLE	1	PC
20	6.465-031.0	Connection 3/4	1	PC
21	6.395-163.3	Angle bushing G1-2	1	PC
22	6.310-004.0	Hexagon nut G 1/2"	1	PC
23	5.515-253.0	Seal D34	1	PC
24	5.037-285.0	Bearing brush-head	1	PC
25	2.645-191.0	Hose coupling entry Universal	1	PC
26	8.631-316.0	CAP, STRAINER SHORT	1	PC
27	8.600-587.0	O-Ring seal filter SEAL RON-VIK	1	PC
28	8.631-358.0	SCREEN, 60 MESH STRAINER SHORT	1	PC
29	8.641-531.0	ASSEMBLY, SUCTION TUBE, BRC 40/22	1	PC
30	8.641-334.0	GROUP ASSEMBLY, PUMP 230V	1	PC



29 ASSEMBLY, SUCTION TUBE, BRC 40/22 (8.641-531.0)

---

POS	Article no.	Description	Quantity	Unit
1	8.640-338.0	HOSE, 3/8" OD, 27" LENGTH	1	PC
2	8.640-336.0	HOSEBARB, 1/8" FPT X 3/8"	1	PC



30 GROUP ASSEMBLY, PUMP 230V (8.641-334.0)

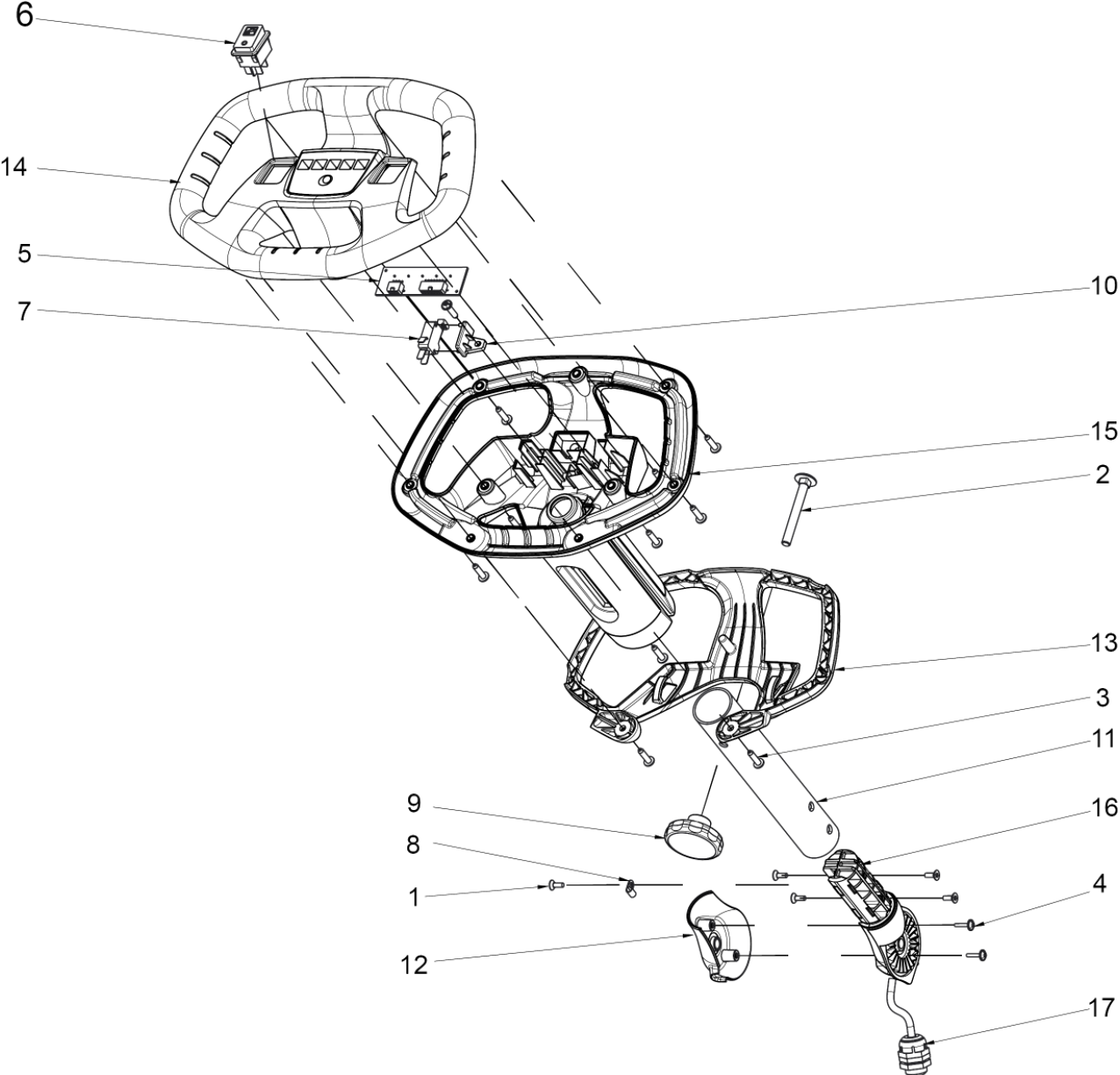
---

POS	Article no.	Description	Quantity	Unit
1	8.641-700.0	CONN WIRE SEAL, TE, 3 POS	1	PC
2	8.641-697.0	CONN SOCKET, TE, 3 POS	1	PC
3	8.641-696.0	TERMINAL PIN, TE	3	PC
4	8.641-329.0	PUMP, 230V 120 PSI BYPASS JG PORTS	1	PC
5	8.626-494.0	Cable tie 11.38" UL/CSA	2	PC



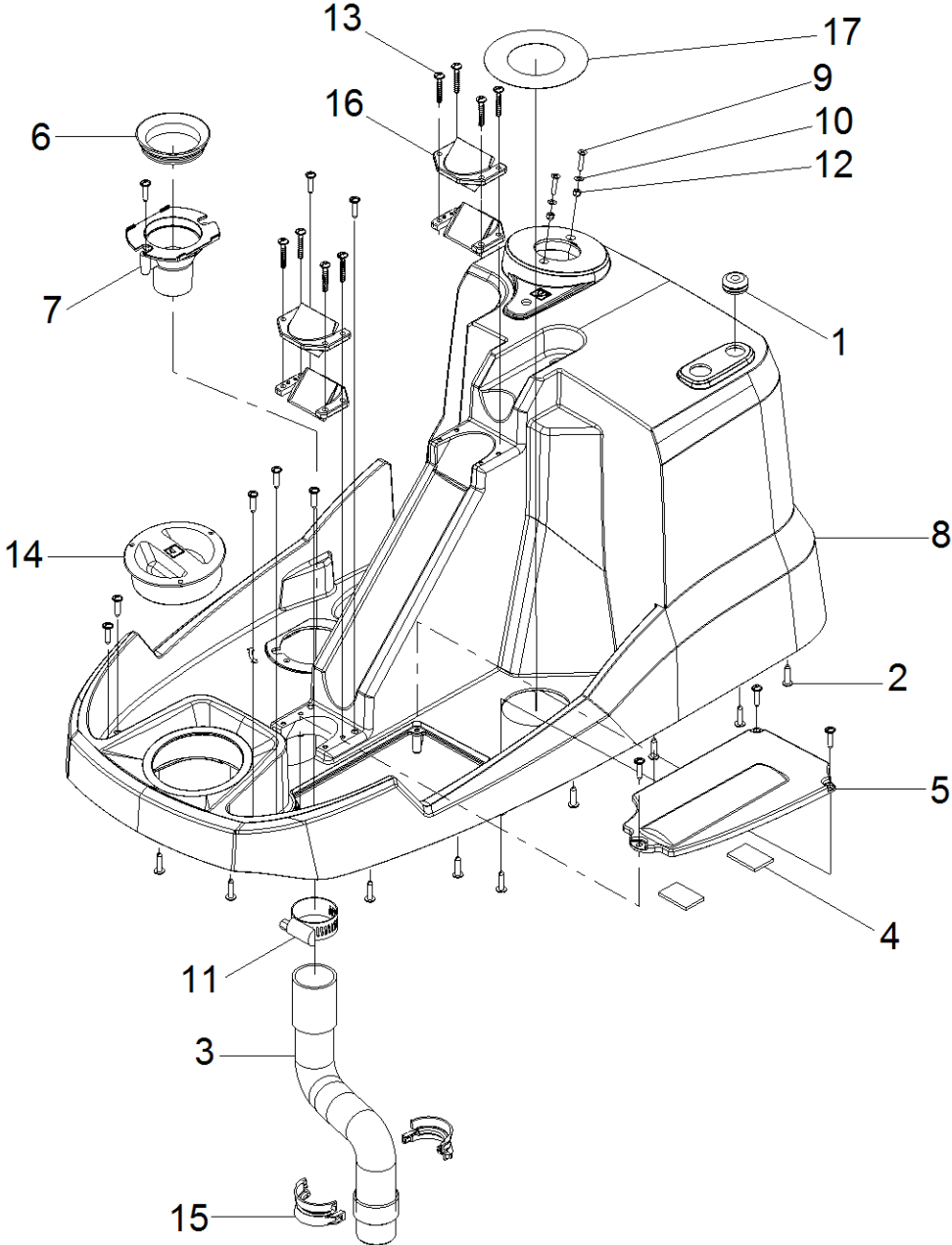
## 50 GROUP, STEERING (8.640-295.0)

POS	Article no.	Description	Quantity	Unit
1	8.640-471.0	LOWER STEERING PILLAR	1	PC
2	8.640-343.0	UPPER STEERING PILLAR	1	PC
3	8.640-352.0	SWITCH, ROCKER MOM, DP ST	1	PC
4	8.617-330.0	WASHER, M8 FLT SS ISO7098	1	PC
5	7.343-014.0	Locking ring 8x0,8-FST-PHR DIN 471	1	PC
6	6.321-179.0	Star grip	1	PC
7	5.332-981.0	Pressure spring	1	PC
8	5.037-318.0	Bolt steering pillar	1	PC
9	4.037-004.0	Bearing set	1	PC
10	6.648-416.0	Locknut black M20	1	PC
11	6.632-542.0	Switch pump	1	PC



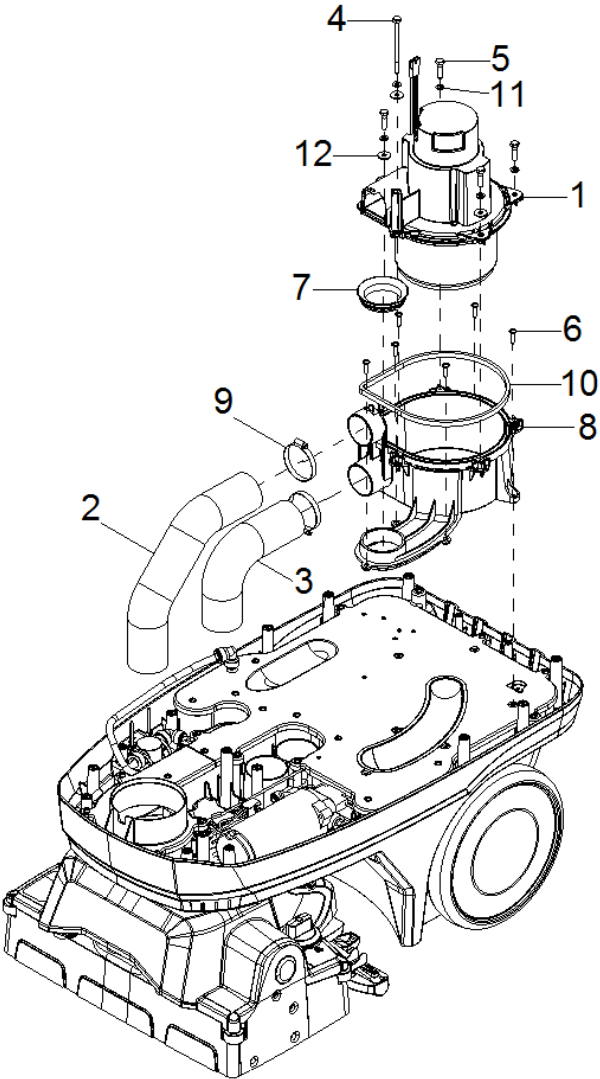
## 2 UPPER STEERING PILLAR (8.640-343.0)

POS	Article no.	Description	Quantity	Unit
1	7.303-296.0	Countersunk screw M5x16 -St-A2E (In6Rd)	5	PC
2	7.303-291.0	Saucer-head screw M8x70 -St-P2R DIN 603	1	PC
3	7.303-108.0	Screw 5x20 -10.9-R2R (In6Rd)	11	PC
4	7.303-107.0	Screw 5x16 -10.9-P2R (K-In6Rd)	2	PC
5	6.683-114.0	Diode board BR 35/12	1	PC
6	6.632-542.0	Switch pump	1	PC
7	6.631-818.0	Switch	1	PC
8	6.373-343.0	Pipe clamp D 6	1	PC
9	6.321-177.0	Turning knob yellow D55mm	1	PC
10	5.050-654.0	Retainer micro switch	1	PC
11	5.037-373.0	Steering pillar above	1	PC
12	5.037-324.0	Covering cap joint cable gland	1	PC
13	5.037-319.0	Retaining bracket switch	1	PC
14	5.037-294.0	Steering wheel top part	1	PC
15	5.037-293.0	Steering wheel bottom part	1	PC
16	5.037-292.0	Joint steering pillar	1	PC
17	4.822-113.0	Cable harness steering wheel steering pi	1	PC



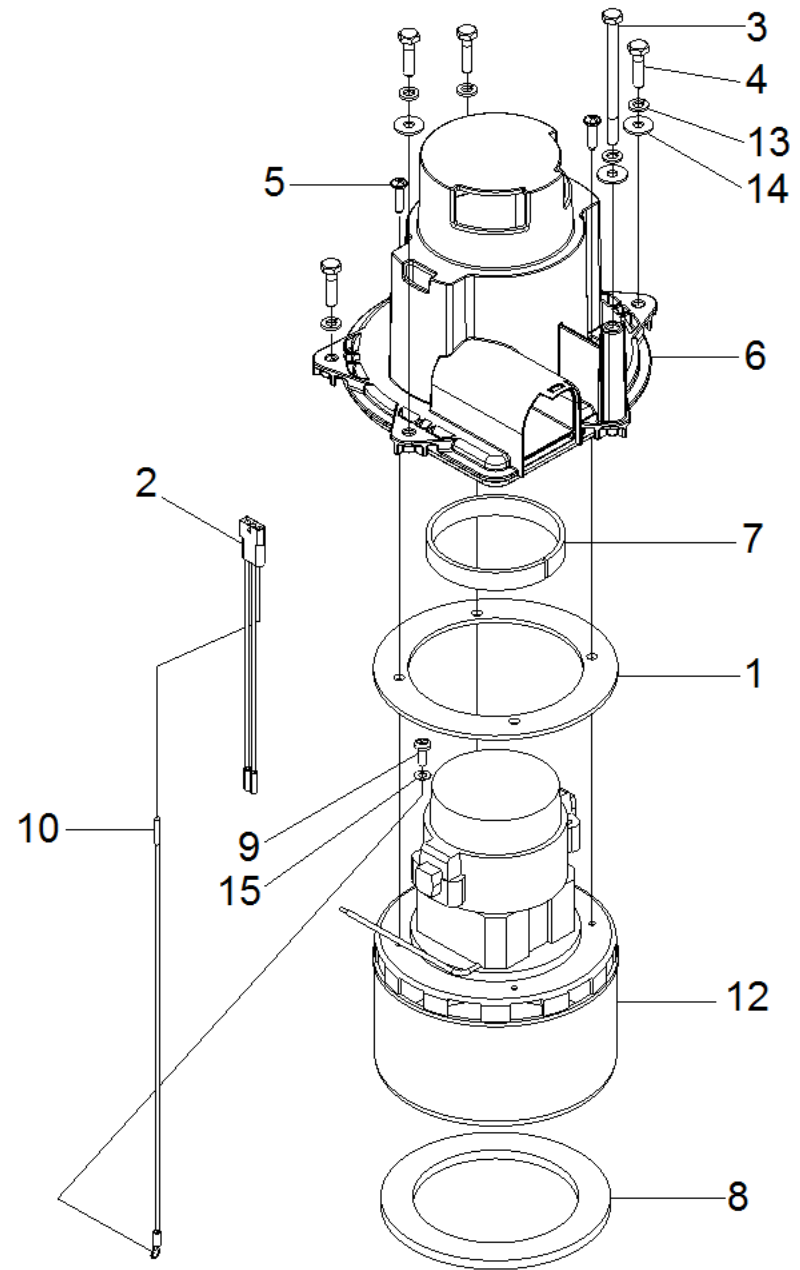
## 60 GROUP, TOWER (8.640-296.0)

POS	Article no.	Description	Quantity	Unit
1	8.640-444.0	GROMMET, 5/16" ID X 1/8" GROOVE	1	PC
2	8.640-335.0	SCREW, KA50X20 TSLTD SS BLK ZNPLT	19	PC
3	8.640-306.0	HOSE ASM, 1.5" X 16" LENGTH	1	PC
4	8.639-997.0	GASKET, PUMP, W/ ADHESIVE	2	PC
5	8.639-826.0	COVER, PUMP, SOLUTION	1	PC
6	8.639-777.0	SEAL, RECOVERY LIP	1	PC
7	8.639-776.0	TUBE, RECOVERY	1	PC
8	8.639-712.0	TOWER, SOLUTION	1	PC
9	8.634-940.0	SCREW, M4-.7 X 20 FLHMS SS	2	PC
10	8.627-908.0	WASHER, M4 FLT STL DIN125A ZNPLT	2	PC
11	8.617-705.0	CLAMP, HOSE #20	1	PC
12	8.617-263.0	NUT, M4X.7 LK ISO7040 SS	2	PC
13	7.303-086.0	Screw 5x30 -10.9-R2R (K-In6Rd)	8	PC
14	5.050-359.0	Cover metering fresh water	1	PC
15	5.037-349.0	Hose hanger	2	PC
16	5.037-289.0	Half shell bearing operating unit	4	PC
17	8.641-320.0	SEAL, VAC TUBE	1	PC
18	8.642-684.0	SCREW, KA40X20 T20 SS	1	PC



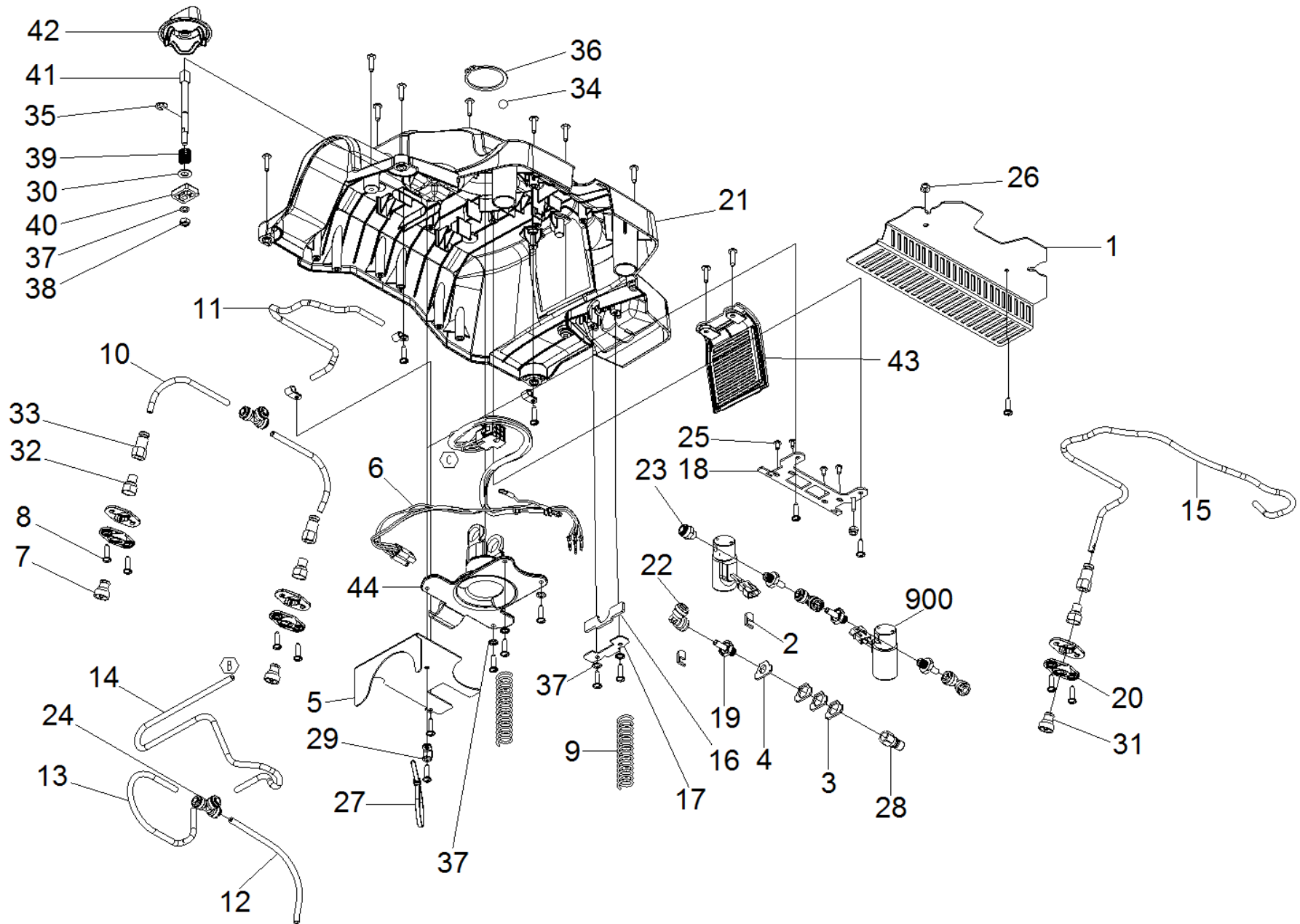
70 GROUP, VACUUM (8.640-297.0)

POS	Article no.	Description	Quantity	Unit
1	8.641-335.0	GROUP ASSEMBLY, VACUUM 230V	1	PC
2	8.640-351.0	HOSE, 2" ID X 14" LENGTH	1	PC
3	8.640-350.0	HOSE, 2" ID X 11" LENGTH	1	PC
4	8.640-348.0	SCREW, M6X1.00X90 HHCS DIN 931 ZNPLT	1	PC
5	8.640-347.0	SCREW, M6 X 1.00 X 25 HHCS DIN 933 ZNPLT	4	PC
6	7.777-999.0	Stockpiling discontinued	6	PC
7	8.639-777.0	SEAL, RECOVERY LIP	1	PC
8	8.639-773.0	VAC HOUSING, LOWER	1	PC
	<b>Item text1:</b> NOT SHOWN			
9	8.600-238.0	Clamp 2.25" WORM GEAR	2	PC
10	8.636-027.0	GASKET, .188 X .31 X 22.8	1	PC
11	8.617-331.0	WASHER, M6 SPL SS DIN127B	5	PC
12	8.601-385.0	WASHER, M6 FNDR SS ISO7093	3	PC



1 GROUP ASSEMBLY, VACUUM 230V (8.641-335.0)

POS	Article no.	Description	Quantity	Unit
1	8.641-277.0	GASKET, UPPER VAC MOTOR	1	PC
2	8.640-568.0	HARNESS, MOTOR	1	PC
3	8.640-348.0	SCREW, M6X1.00X90 HHCS DIN 931 ZNPLT	1	PC
4	8.640-347.0	SCREW, M6 X 1.00 X 25 HHCS DIN 933 ZNPLT	4	PC
5	7.777-999.0	Stockpiling discontinued	3	PC
6	8.639-772.0	VAC HOUSING, TOP	1	PC
7	8.631-301.0	GASKET, .125T X .5 W X 9.7	1	PC
8	8.631-292.0	GASKET, VAC MOTOR	1	PC
9	8.627-435.0	SCREW, 10-24 X .5 PHPNHTC	1	PC
10	8.626-709.0	WIRE, 11" GRN/18 76008 X 76014	1	PC
11	8.626-493.0	CABLE TIE, 3.5" UL/CSA	1	PC
12	8.625-854.0	VAC MOTOR, 240V 5.7 3ST LNP	1	PC
13	8.617-331.0	WASHER, M6 SPL SS DIN127B	5	PC
14	8.601-385.0	WASHER, M6 FNDR SS ISO7093	3	PC
15	8.601-064.0	Washer #10 LOCK EXT STAR SS	1	PC

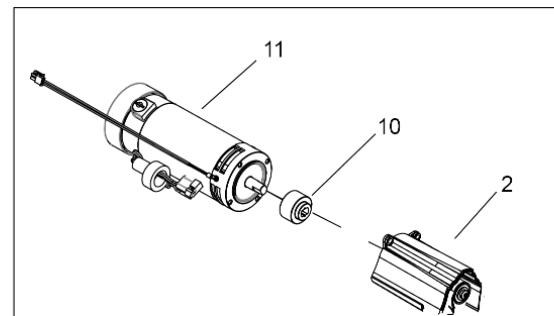
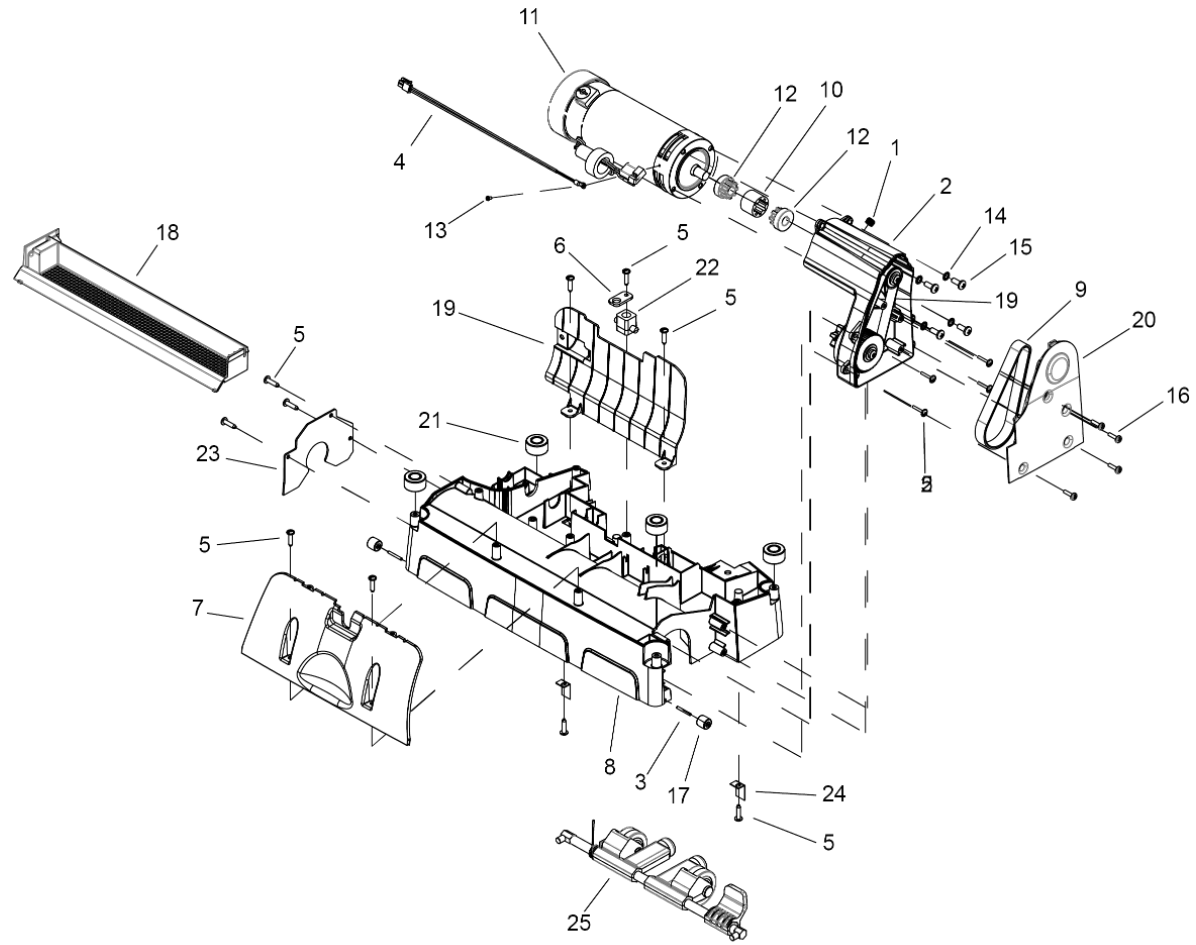


80 GROUP, UPPER DECK, 230V (8.641-706.0)

POS	Article no.	Description	Quantity	Unit
1	8.641-712.0	SOLUTION BRACKET ASSEMBLY	1	PC
2	8.641-711.0	NIPPLE ADAPTER, SIDE	2	PC
3	8.641-710.0	PLATE, NIPPLE ALIGNMENT, SMALL	3	PC
4	8.641-709.0	NIPPLE STOP, SMALL	1	PC
5	8.641-708.0	BRKT, MOTOR COVER	1	PC
6	8.641-703.0	HARNESS, DECK, 230V	1	PC
7	8.641-278.0	JET, MINI PROMAX 8003	2	PC
8	7.777-999.0	Stockpiling discontinued	28	PC
9	8.640-334.0	SPRING, .085" X .072" X 4.0"	2	PC
10	8.640-320.0	HOSE, 1/4, 6 INCH	2	PC
11	8.640-319.0	HOSE, 1/4, 13.5 INCH	1	PC
12	8.640-318.0	HOSE, 1/4, 8 INCH	1	PC
13	8.640-317.0	HOSE, 1/4, 9.5 INCH	1	PC
14	8.640-316.0	HOSE, 1/4, 30 INCH	1	PC
15	8.640-315.0	HOSE, 1/4, 23.5 INCH	1	PC
16	8.640-314.0	NIPPLE BRACE	1	PC
17	8.640-313.0	NIPPLE CLAMP HOLDER	1	PC
18	8.640-312.0	SOLENOID PLATE	1	PC
19	8.640-311.0	STEM ADAPTER, JG 1/8" MPT X 1/4" STEM	4	PC
20	8.640-085.0	NOZZLE HOLDER	6	PC
21	8.639-720.0	UPPER DECK	1	PC
22	8.637-988.0	ELBOW, JG, 1/4	2	PC
23	8.637-361.0	CONNECTOR, JG, 1/4 TUBE X 1/8 MNPT	1	PC
24	8.636-717.0	TEE, UNION, JG, 1/4 TUBE	3	PC
25	8.600-652.0	SCREW, 8-32 X .375 PHPNHMS SS	4	PC
26	8.627-099.0	NUT, 10-32 HEX NYLOCK SS	2	PC
27	8.626-494.0	Cable tie 11.38" UL/CSA	1	PC
28	8.620-082.0	Nipple 1/8	1	PC
29	8.619-844.0	CLAMP, 1/4 PLASTIC CABLE	4	PC
30	8.617-330.0	WASHER, M8 FLT SS ISO7098	1	PC
31	8.601-255.0	JET, PROMAX, 11001	1	PC
32	8.600-457.0	JET BODY, MINI PROMAX BODY	3	PC
33	8.600-248.0	Connector 1/8FPT X 1/4 TUBEQC	3	PC

## 80 GROUP, UPPER DECK, 230V (8.641-706.0)

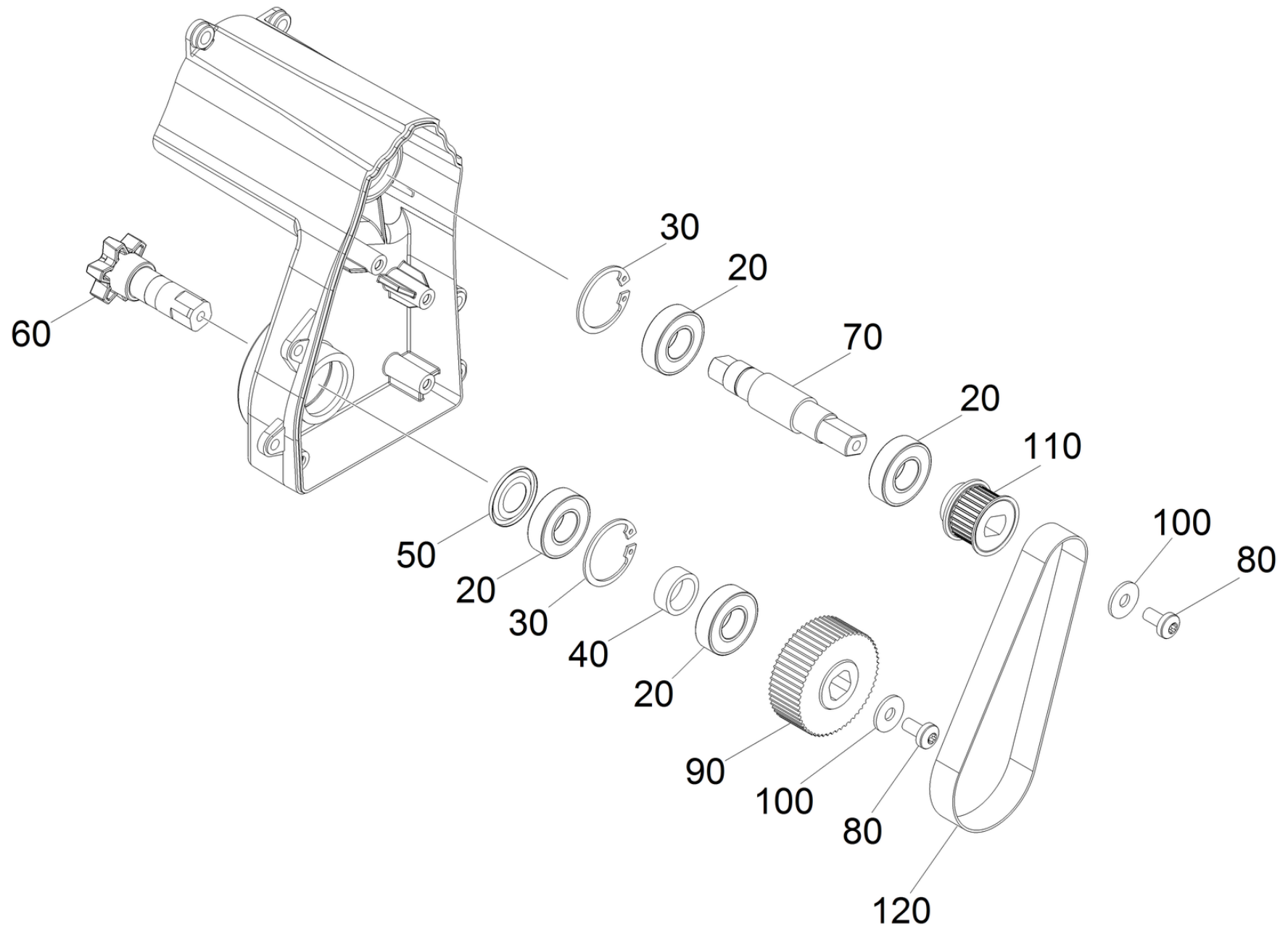
POS	Article no.	Description	Quantity	Unit
34	7.401-917.0	Sphere 10,0 G100-1.4301 DIN 5401	1	PC
35	7.343-300.0	Lock washer 7-A2 DIN 6799	1	PC
36	7.343-019.0	Locking ring 45x1,75-FST-RF DIN 471	1	PC
37	7.312-232.0	Serrated lock washer A6,4-FSt-A3E DIN 6	7	PC
38	7.311-003.0	Hexagon nut M6 -8-A2E ISO 4032	1	PC
39	5.332-207.0	Helical spring	1	PC
40	8.642-685.0	Height adjustment cam	1	PC
41	5.037-302.0	Threaded part	1	PC
42	5.037-301.0	Button height adjustment	1	PC
43	5.037-268.0	Cover refrigeration motor	1	PC
44	5.037-267.0	Fixing brush-head	1	PC
900	8.641-336.0	ASSEMBLY, SOLENOID, 230V, BRC 40/22	2	PC



Previous Version

## 81 Group brush drive (8.638-943.0)

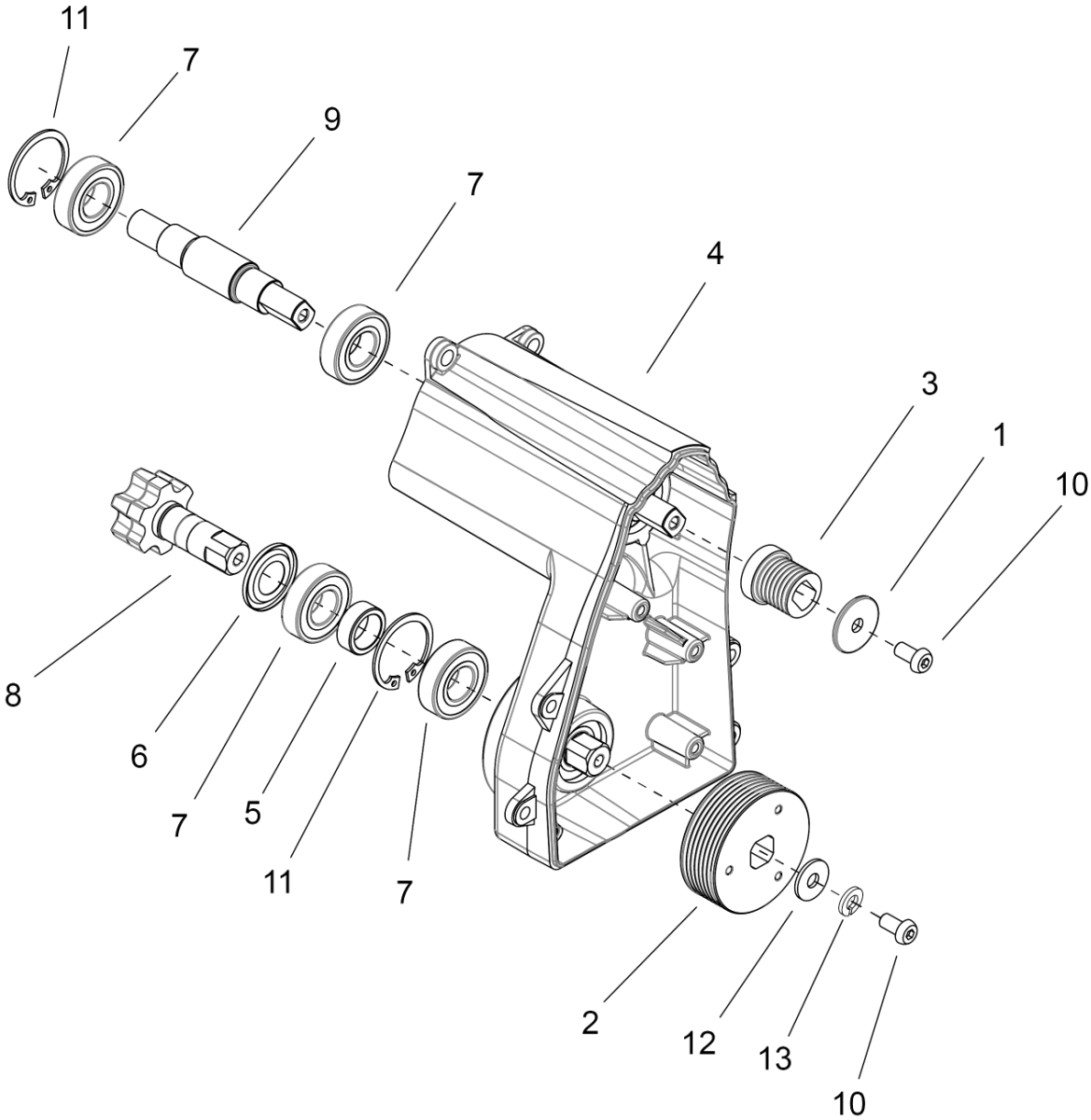
POS	Article no.	Description	Quantity	Unit	Remark
1	8.643-633.0	Low pressure plug 1/8 NPT hex	1	PC	New Version From S/N 1377
2	4.037-033.0	Gear case replacement	1	PC	Previous Version Prior to S/N 1377
2	8.641-330.0	Brush transmission	1	PC	New Version From S/N 1377
3	8.640-947.0	Roller axle - M3X22 SS	2	PC	
4	8.640-519.0	HARNESS, THERMISTER, 12"	1	PC	
5	7.777-999.0	Stockpiling discontinued	14	PC	
6	8.640-321.0	PLATE, TOW PIVOT REINFORCEMENT	1	PC	
7	8.640-213.0	SPRAY SHIELD	1	PC	
8	8.639-718.0	LOWER DECK	1	PC	
9	8.639-703.0	Elastic rib belt 7 PJ 333	1	PC	New Version From S/N 1377
10	5.037-313.0	Coupler	1	PC	Previous Version Prior to S/N 1377
10	8.638-481.0	Coupling sleeve 17SHx22	1	PC	New Version From S/N 1377
11	8.638-447.0	Motor 250W	1	PC	New Version From S/N 1377
11	8.641-125.0	SERVICE ASSEMBLY, BRUSH MOTOR, BRC 40/22	1	PC	Previous Version Prior to S/N 1377
12	8.637-047.0	HUB, COUPLING, 18ES 1/2" D-BORE	2	PC	New Version From S/N ...
13	8.617-310.0	SCREW, M3 X 6 BTNHSCS SS ISO7380	1	PC	
14	7.312-232.0	Serrated lock washer A6,4-FSt-A3E DIN 6	4	PC	
15	7.306-090.0	Screw M6x16 -8.8-P2R (In6Rd)	4	PC	
16	7.303-039.0	Screw M5x16 -St-P2R (In6Rd)	4	PC	
17	5.515-277.0	Roller	2	PC	
18	5.037-457.0	DEBRIS TRAY YELLOW	1	PC	
19	5.037-340.0	Baffle plate brush-head	1	PC	
20	5.037-275.0	Cover gear case	1	PC	
21	5.037-262.0	Deflector roll	4	PC	
22	5.037-260.0	Swivel joint suction beam retraction	1	PC	
23	5.037-259.0	Plate brush holder	1	PC	
24	5.037-008.0	Plate stop	2	PC	
25	4.037-120.0	Carriage complete for replacement	1	PC	



## 2 Gear case replacement (4.037-033.0)

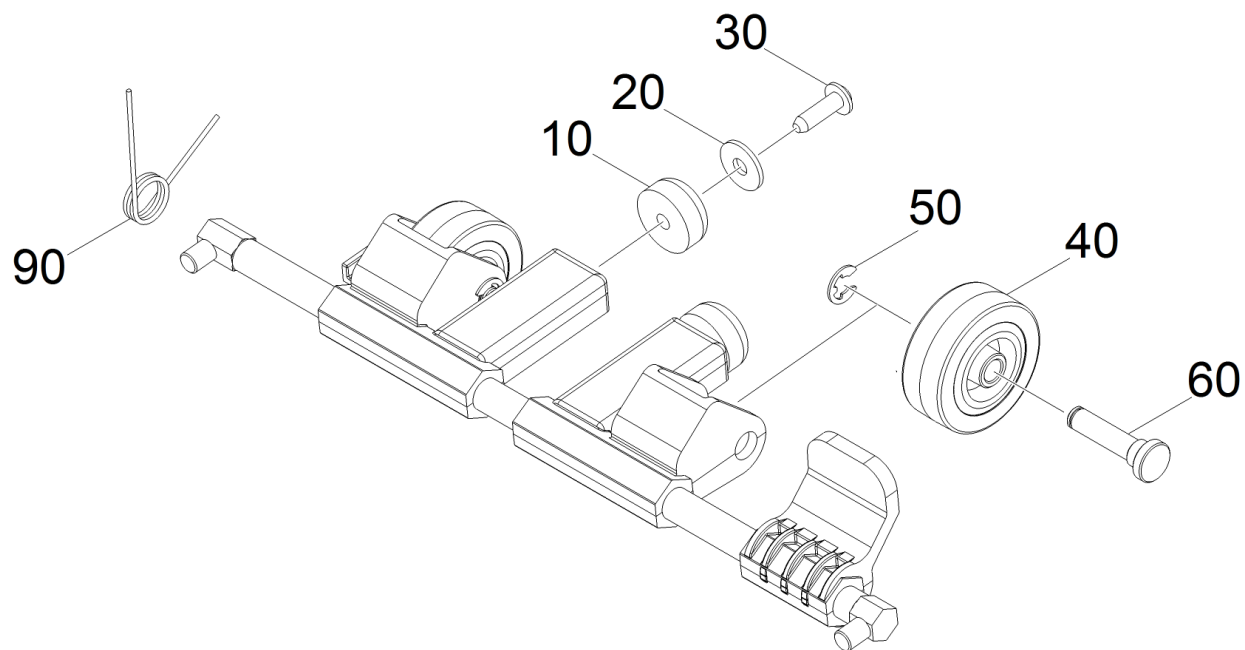
---

POS	Article no.	Description	Quantity	Unit
20	7.401-115.0	Ball bearing 6002-2RS -WÄELZLAGST DIN 62	4	PC
30	7.343-231.0	Locking ring 32x1,2 -St-ph DIN 472	2	PC
40	5.110-686.0	Spacer sleeve	1	PC
50	6.363-292.0	Joint ring NILOS 6002	1	PC
60	5.100-571.0	Driveshaft 59mm	1	PC
70	5.037-274.0	Shaft gear	1	PC
80	6.304-180.0	Screw M6X12-A2/70-ISO7045 (IN6RD)	2	PC
90	5.037-874.0	Belt pulley Z56	1	PC
100	7.312-292.0	Washer 6 -A2 ISO 7093-1	2	PC
110	5.037-276.0	Belt pulley Z28	1	PC
120	6.348-480.0	Toothed belt	1	PC



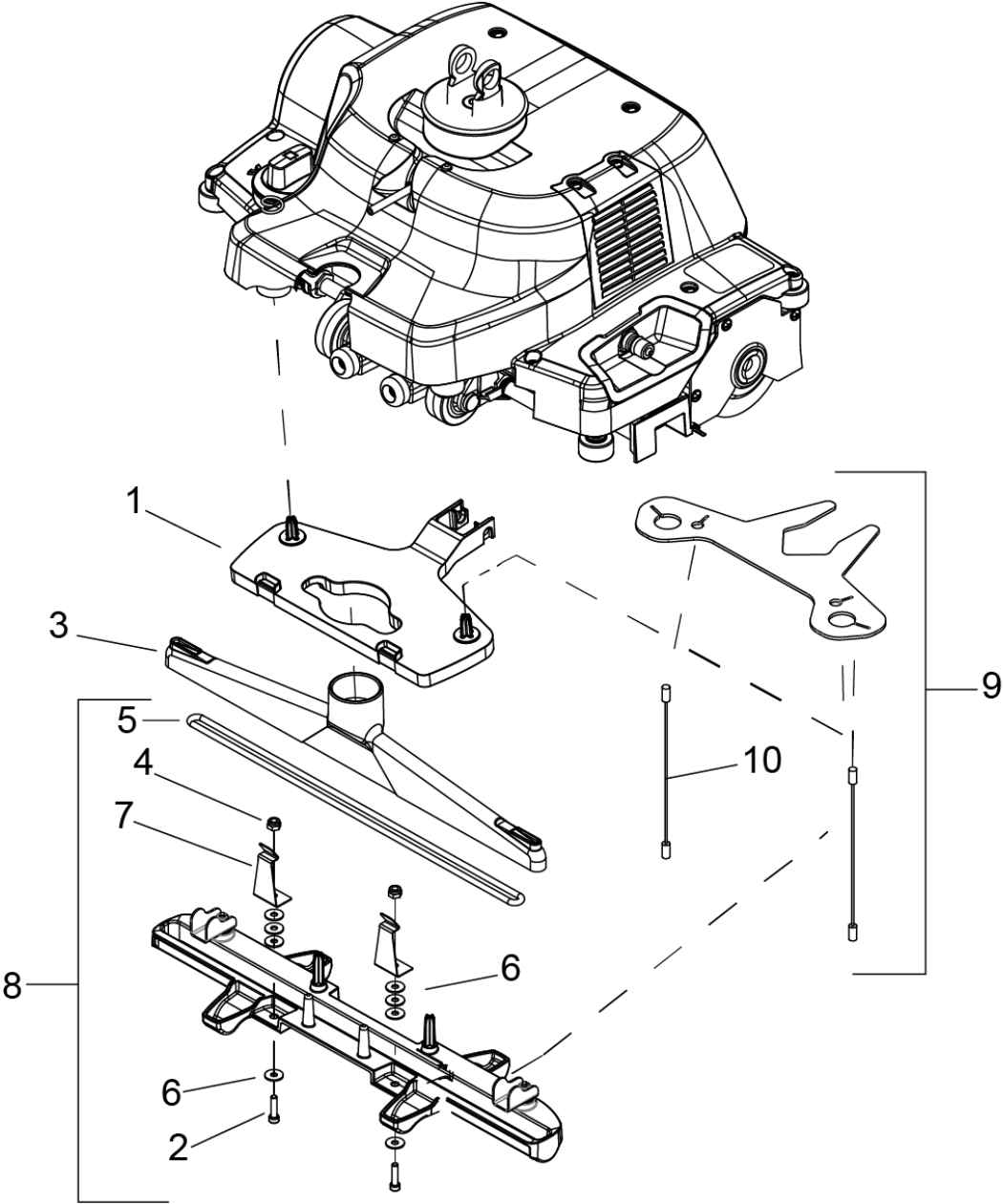
## 2 Brush transmission (8.641-330.0)

POS	Article no.	Description	Quantity	Unit
1	8.639-704.0	Guide plate	1	PC
2	8.638-957.0	Pulley 7 PJ 55,5	1	PC
3	8.638-956.0	Pulley 7 PJ 20,0	1	PC
4	8.638-942.0	Housing brush transmission	1	PC
5	8.638-558.0	Spacer Sleeve	1	PC
6	8.638-557.0	Seal ring 6002 AV	1	PC
7	8.638-556.0	Ball bearing 6002-2RS ISO6P	4	PC
8	5.100-571.0	Driveshaft 59mm	1	PC
8	8.638-446.0	Star driveshaft 59x33	1	PC
9	8.638-445.0	Pinion shaft 15x90	1	PC
10	8.617-299.0	SCREW, M6 X 12 BTNHCS SS ISO7380	2	PC
11	7.343-231.0	Locking ring 32x1,2 -St-ph DIN 472	2	PC
12	7.312-292.0	Washer 6 -A2 ISO 7093-1	1	PC
13	8.627-914.0	Washer M6 Splitlock DIN 127B	1	PC



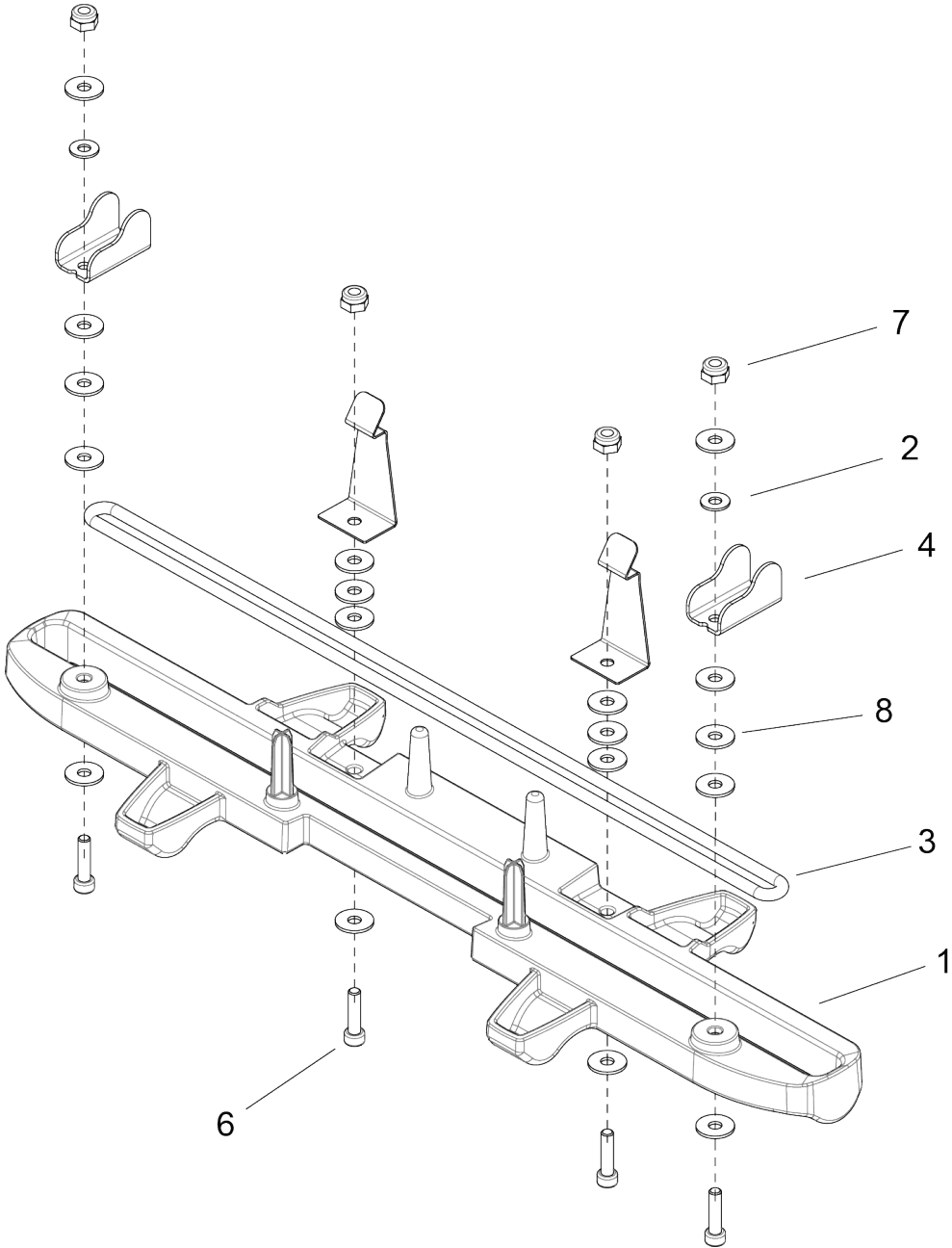
25 Carriage complete for replacement (4.037-120.0)

POS	Article no.	Description	Quantity	Unit
10	5.031-519.0	Stand foot	2	PC
20	7.312-278.0	Washer 5-200HV-A2E ISO7093-1	2	PC
30	7.303-108.0	Screw 5x20 -10.9-R2R (In6Rd)	2	PC
40	6.435-309.0	Wheel oil resistant D50	2	PC
50	7.343-300.0	Lock washer 7-A2 DIN 6799	2	PC
60	5.037-314.0	Axle wheel height adjustment	2	PC
90	5.037-346.0	Leg spring	1	PC



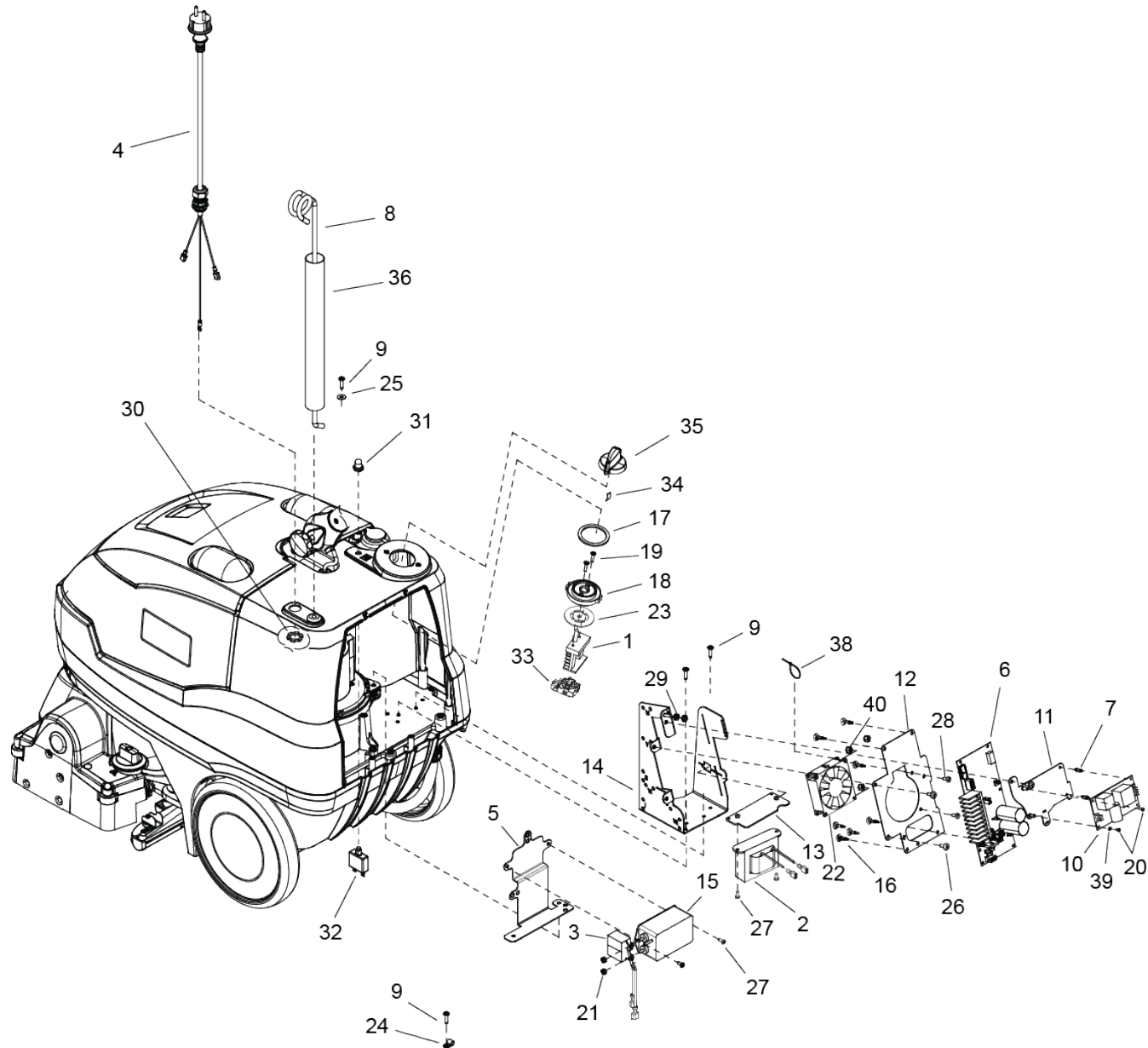
90 GROUP, SUCTION BAR (8.640-303.0)

POS	Article no.	Description	Quantity	Unit
1	8.639-723.0	LINKAGE, VACUUM SHOE	1	PC
2	8.627-508.0	SCREW, 10-32 X .75 SCHCS SS	2	PC
3	8.639-721.0	COVER, VACUUM SHOE	1	PC
4	8.627-099.0	NUT, 10-32 HEX NYLOCK SS	2	PC
5	8.637-177.0	O-RING, 3/16 DIA X 9.5 DIA FOAM	1	PC
6	8.617-333.0	WASHER, M5 SS ISO7093	8	PC
7	8.634-085.0	Clip dirt box	2	PC
8	8.641-247.0	ASSEMBLY, VACUUM SHOE, BRC 40/22	1	PC
9	8.641-727.0	VAC SHOE BRACKET FIELD REPAIR KIT	1	PC
10	8.638-781.0	CABLE W/STOPS, 5.5IN	2	PC



8 ASSEMBLY, VACUUM SHOE, BRC 40/22 (8.641-247.0)

POS	Article no.	Description	Quantity	Unit
1	8.639-722.0	BASE, VACUUM SHOE	1	PC
2	8.637-459.0	WASHER, .2 X .45 X .04 NYL BLK	2	PC
3	8.637-177.0	O-RING, 3/16 DIA X 9.5 DIA FOAM	1	PC
4	8.637-167.0	LATCH, VAC SHOE	2	PC
5	8.634-085.0	Clip dirt box	2	PC
6	8.627-508.0	SCREW, 10-32 X .75 SCHCS SS	4	PC
7	8.627-099.0	NUT, 10-32 HEX NYLOCK SS	4	PC
8	8.617-333.0	WASHER, M5 SS ISO7093	18	PC



## 120 GROUP, ELECTRICAL, 230V (8.641-327.0)

POS	Article no.	Description	Quantity	Unit
1	8.642-337.0	DISCONNECT SWITCH - 4 POLE	1	PC
2	8.642-336.0	LINK INDUCTOR	1	PC
3	8.641-729.0	CAPACITOR ADAPTER	1	PC
4	8.641-728.0	CORDSET, EURO 14 GAUGE	1	PC
5	8.641-717.0	BRKT, FILTER	1	PC
6	8.641-333.0	PCB ASSEMBLY, 230V, ARMADA BRC 40/22	1	PC
7	8.641-304.0	STANDOFF, CLINCH, .137 DUAL X .394 NYL	3	PC
8	8.640-979.0	ROD, CORD HOLDER, PAINTED	1	PC
9	8.641-333.0	SCREW, KA50X20 TSLTD SS BLK ZNPLT	4	PC
10	8.645-783.0	Power supply BRC 40/22	1	PC
11	8.638-776.0	PLATE, POWER SUPPLY	1	PC
12	8.638-775.0	PLATE, PCB	1	PC
13	8.638-774.0	PLATE, INDUCTOR HOLD DOWN	1	PC
14	8.638-773.0	BRKT, PCB, LOW EMITING	1	PC
15	8.638-675.0	POWER LINE FILTER	1	PC
16	8.638-654.0	STANDOFF, NYLON, KEYSTONE 9063	7	PC
17	8.635-481.0	GASKET, ROTARY SWITCH	1	PC
18	8.635-456.0	BEZEL, ROTARY SWITCH	1	PC
19	8.634-940.0	SCREW, M4-.7 X 20 FLHMS SS	2	PC
20	8.627-457.0	SCREW, 4-40 X .25 PHPNHMS STL ZNPLT	1	PC
21	8.627-085.0	Lock nut	2	PC
22	8.642-353.0	Blower	2	PC
23	8.642-357.0	PLATE SWITCH SPACER	6	PC
24	8.619-844.0	CLAMP, 1/4 PLASTIC CABLE	1	PC
25	8.617-333.0	WASHER, M5 SS ISO7093	1	PC
26	8.600-680.0	SCREW, 10-32 X .5 PHPNHMF STL ZNPLT	2	PC
27	8.600-652.0	SCREW, 8-32 X .375 PHPNHMS SS	4	PC
28	8.627-395.0	SCREW, 6-32 X .5 PHPNHMS SS	2	PC
29	8.600-570.0	NUT, 10-32 HEXSTRW LK STL ZNPLT	2	PC
30	8.600-567.0	NUT, 1/2-14 CONDUIT LK STL ZNPLT	1	PC
31	8.600-201.0	BOOT, 3/8 CIRCUIT BREAKER	1	PC
32	8.600-194.0	BREAKER, 10A CIRCUIT	1	PC
33	6.683-271.0	Switch - Easy Operation Codierschalter	1	PC

120 GROUP, ELECTRICAL, 230V (8.641-327.0)

POS	Article no.	Description	Quantity	Unit	Remarks
34	6.313-014.0	Spring element	1	PC	
35	5.321-738.0	Handhold operational concept	1	PC	
36	8.642-355.0	Rod isolator	1	PC	
37	8.626-494.0	Cable tie 11.38" UL/CSA	14	PC	Not shown
38	8.626-493.0	CABLETIE, 3.5" UL/CSA	1	PC	
39	8.627-910.0	WASHER, 4 INTLK STL ZNPLT	1	PC	
40	8.627-092.0	NUT, 6-32 HEX NYLOCK SS	2	PC	