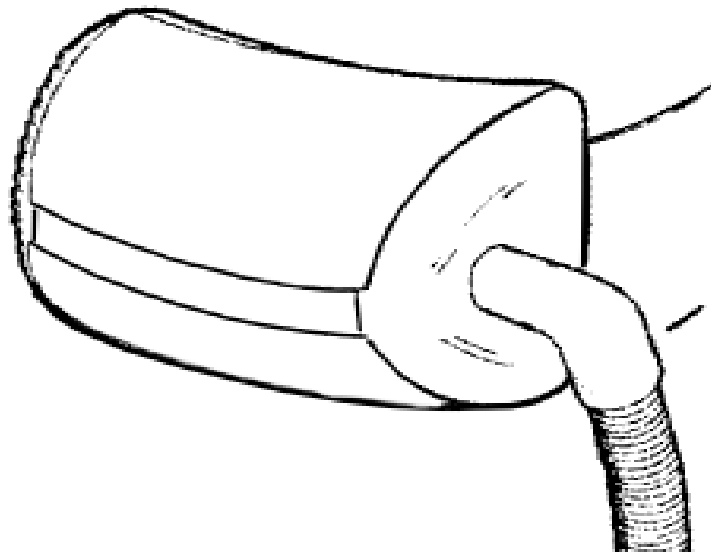


# UZ 964

---

Ergoclean, HipVac™

---



---

## PARTS LIST

WHEN ORDERING PARTS ALWAYS STATE:

- \* The 10 digit part numbers
- \* Quantity,
- \* Specify the model and serial numbers of the machine.

For Electrical details also:

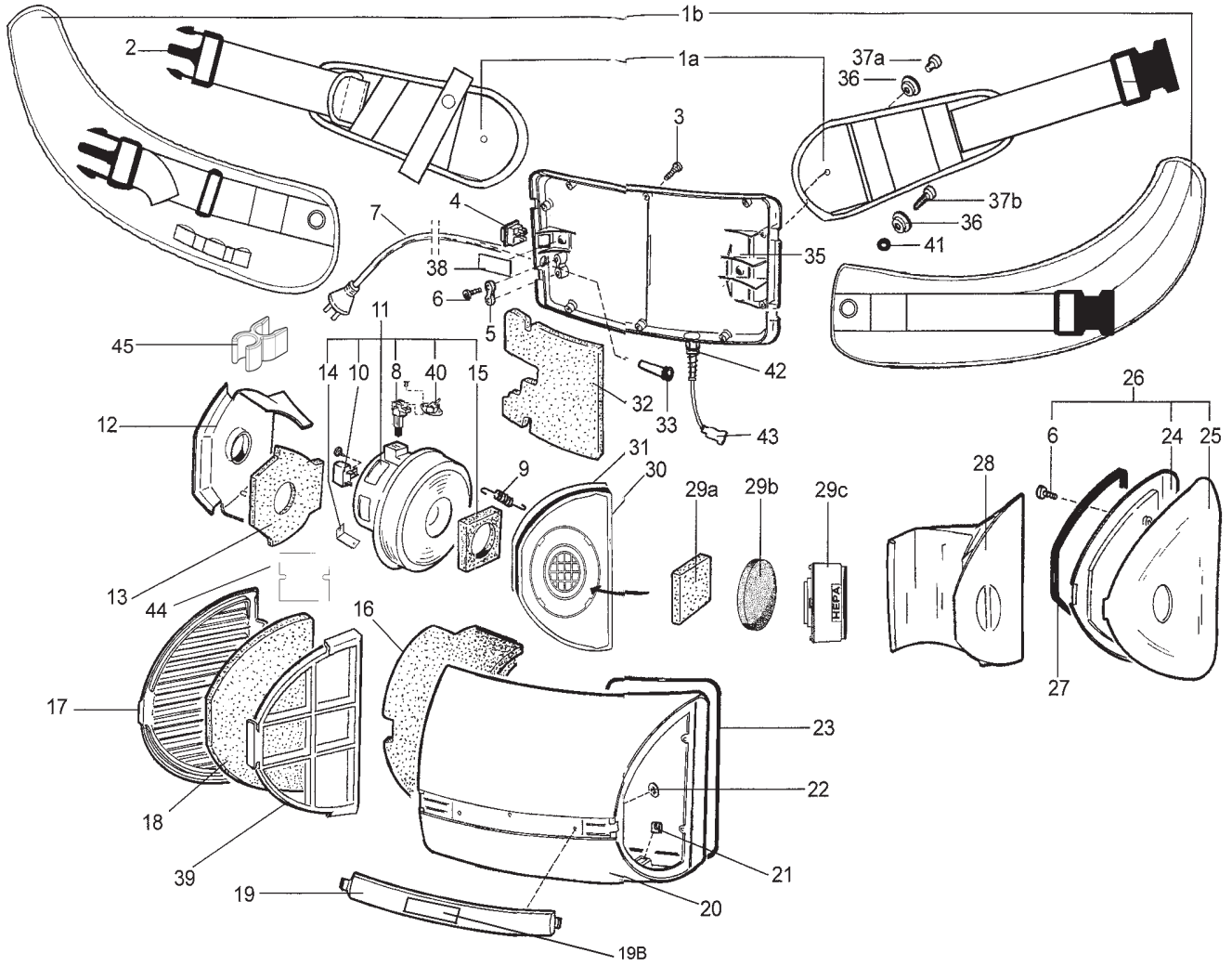
- \* Voltage
- \* Wattage

**SPARE PARTS LIST - UZ 964**

**2**

**LINE DRAWING**

**06-03**



**SPARE PARTS LIST - UZ 964**

**11-07**

**PARTS NUMBER**

**3**

Item	No	Qty.	Part No	Description
1a	1		-	Use 1b
1b	1		140 7343 000	Belt cpl.w.locking (US-version)
2	1		140 7074 000	Locking cpl.
3	10		140 9214 150	Screw
4	1		140 5496 510	Switch
5	1		056 1014 060	Anti strain clip
	>>	1	140 6560 500	Anti strain clip, UL-approved
6	4		140 9214 040	Screw
7	1		See page 7	Cord set
8	2		142 0947 000	Carbon brush, for 230-240V, for Tech fan units
		2	142 0947 010	Carbon brush, for 115-120V, for Tech fan units
		2	142 0947 020	Carbon brush, for 100-110V, for Tech fan units
		2	140 9885 000	Carbon brush, for 140 7143 010 400Hz motor
	>>			
9	4		140 6792 000	Spring
10	1		140 6916 000	Suppressor - Capicator, for old type of fan unit
	1		140 8166 010	Suppressor - Capicator, for 140 8077 xxx fan unit
11	1		See page 7	Fan unit
12	1		140 6633 000	Silencer
	1		140 6633 010	Silencer, UL-approved
13	1		140 6558 000	Insulation, silencer
15	1		140 6791 000	Gasket
16	1		140 6556 000	Insulation, cover
17	1		140 6448 000	Exhaust gable, blue
	1		140 6448 030	Exhaust gable, grey
	1		140 6448 040	Eaxhaust gable, Alto-blue
18	1		140 6597 500	Exhaust filter 3 pcs
19	1		140 6426 030	Cover strip, grey
19b	1		140 7769 000	Label, Nilfisk by N-A
20	>>	1	140 6443 020	Cover, blue UL-approved
		1	140 6443 060	Cover Alto-blue, UL-approved
		1	140 6443 040	Cover, grey
		1	140 6443 050	Cover, grey UI-approved
21	6		140 6796 000	C-clip
22	3		140 6797 000	Spring nut
23	1		140 6798 000	Gasket
24	1		140 6446 000	Inner suction gable, blue UL -approved
	1		140 6446 030	Inner suction gable, grey
	1		140 6446 040	Inner suction gable, Alto-blue UL -approved
25	1		140 6447 000	Outer suction gable, blue UL-approved
	1		140 6447 030	Outer suction gable, grey
	1		140 6447 040	Outer suction gable, Alto-blue UL-approved
26	1		140 6699 000	Suction gable compl. blue
	1		140 6699 030	Suction gable compl. grey
	1		140 6699 040	Suction gable compl. Alto-blue
27	1		140 7302 000	Gasket
28	1		140 6554 010	Dust bag 5-pack
	1		140 6554 020	Dust bag 10-pack
	>>			
	1		140 6554 040	Dust bag high filtration, 5-pack
	1		140 6554 050	Dust bag high filtration, 10-pack
	>>			
29b	1		140 6794 010*	Pre filter, new version
29c	1		140 7160 010*	Hepa-filter, cpl.
29d	1		140 5666 000	Gasket
30	1		140 7148 000	Partition wall
	1		140 7148 010	Partition wall, UL-approved
31	1		140 6799 000	Gasket

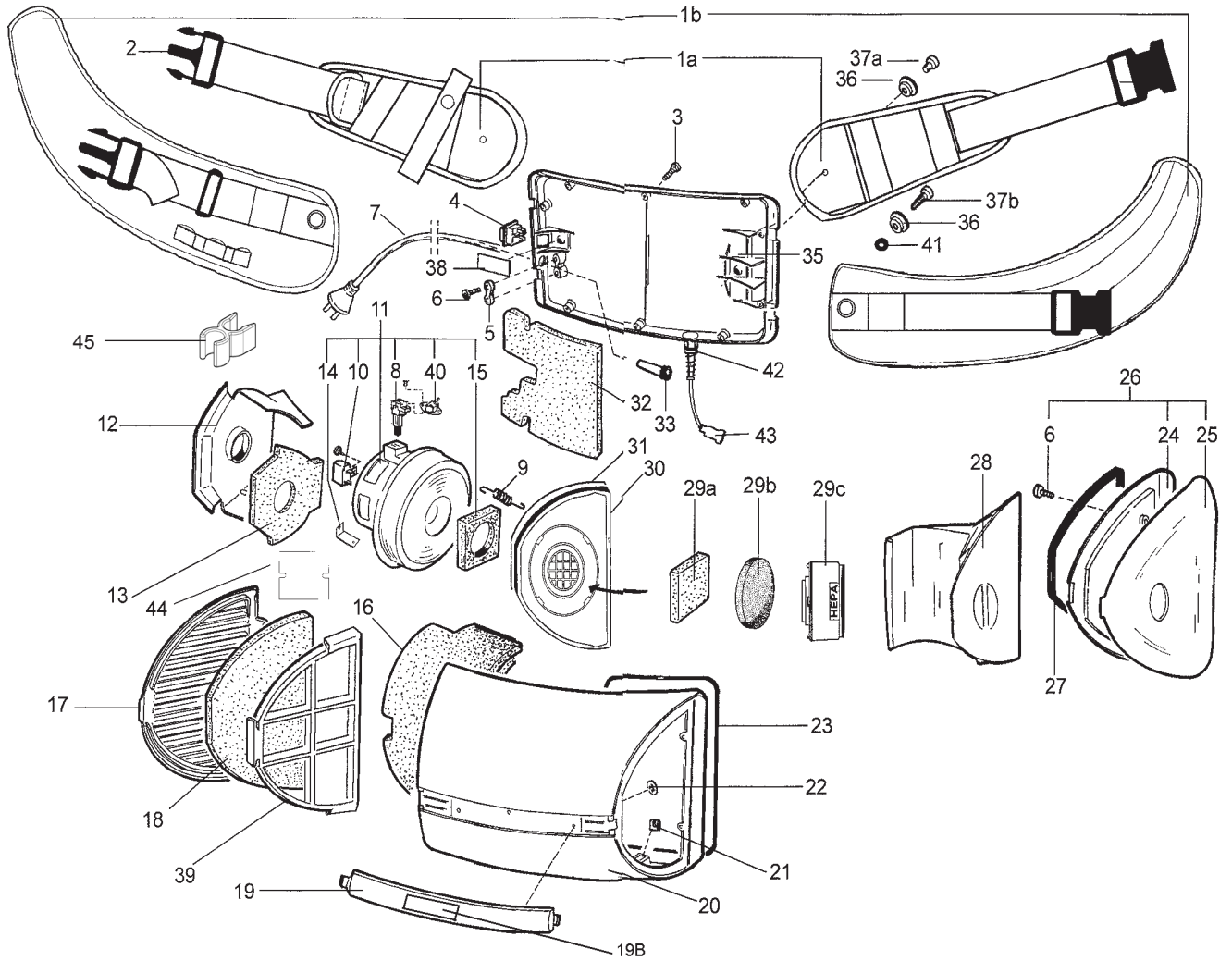
>> Means: New or changed ref. number or/and changed/new specifications.

**SPARE PARTS LIST - UZ 964**

**4**

**LINE DRAWING**

**06-03**



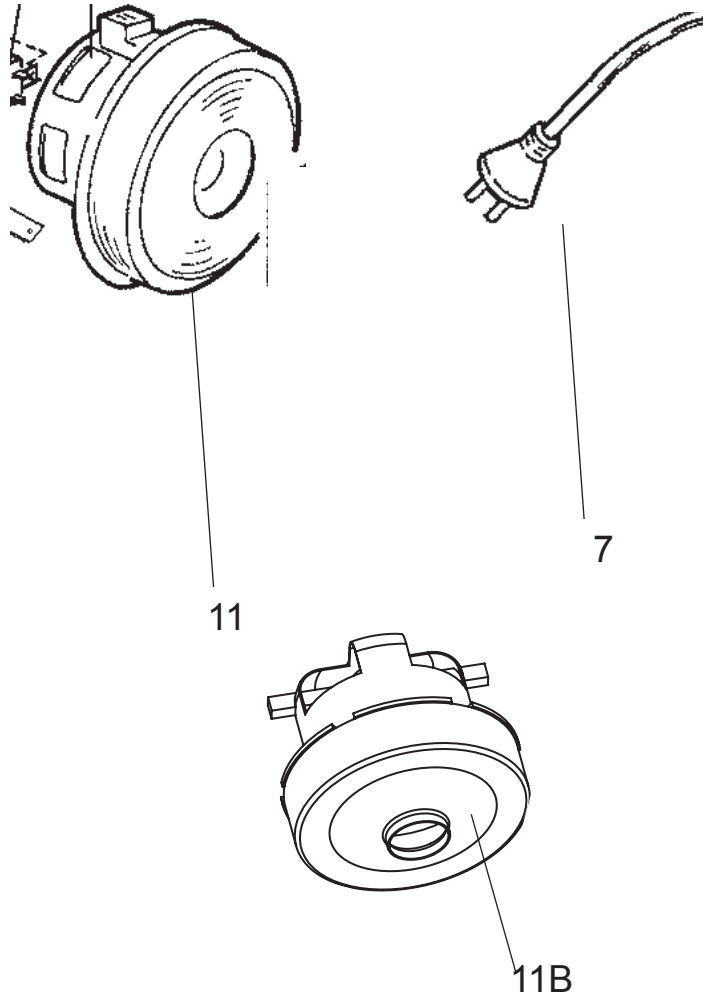
**SPARE PARTS LIST - UZ 964****11-07****PARTS NUMBER****5**

<u>ItemNo</u>	<u>Qty.</u>	<u>Part No</u>	<u>Description</u>
32	1	140 6557 000	Insulation, back
33	1	140 7035 500	Protection sleeve
	1	140 7035 510	Protection sleeve, US versions
35	1	140 6444 040	Back part, blue UL-appr. w. hole for outlet
>>			
	1	140 6906 000	Back part cpl. blue
>>	1	140 6906 020	Back part cpl. blue UL-approved
	1	140 6906 030	Back part cpl. grey
	1	140 6906 040	Back part cpl. grey UL-approved
36	2	140 7696 000	Washer
37a	2	140 6559 000	Screw for belt 140 7096-000
37b	2	140 6559 010	Screw for belt 140 7343-000
38	1	140 5358 000	Insulation
39	1	140 6824 000	Filter holder
40	1	140 3894 500	Thermo protector, for old type of fan unit
42	1	140 5674 010	Connect.w.sleeve only for 905 2419, 905 2420
43	>>		
44	1	140 7691 000	Insulating plate, 110V Airpl.model
45	1	147 0808 500	Cord clip, for EU cord set.
45	1	147 0808 510	Cord clip, for US/Can, TW, JP cord set.
NI	1	140 5507 010	Carton w. print UZ964 N-A (Box for re-pack)

>> Means: New or changed ref. number or/and changed/new specifications.

**Notes:**

The washer 140 6790 000 and spacer 140 7318 000 for fastening the belt to the back cover, is replaced by washer 140 7696 000.



ItemNo.	Qty.	Part No.	Description
7	1	140 6423 500	Cord set 15 m, EU Double insulated
7	1	140 6423 520	Cord set 15 m, CH
7	1	140 6423 530	Cord set 15 m, UK
7 >>	1	140 6423 570	Cord set 15 m, JP
7	1	140 6702 500	Cord set 15 m, JP
7	1	140 3608 070	Cord set 20 m, US/JP for Aeroplane version
7 >>	1	140 3608 080	Cord set TW 2C 15.5m yellow
7	1	140 6676 520	Cord set 15 m, AU
7 >>	1	140 3859 500	Cord set US
7 >>	1	140 3859 630	Cord set 15 m, US/TW
7 >>	1	107401390	Cord set CN 15,5 m - kit (CN only)
11 >>			See note.
11B	1	147 1120 500 *	FAN UNIT KIT AMETEK 700W 230-240V
11B	1	147 1120 510 *	FAN UNIT KIT AMETEK 700W 120V
11B	1	147 1120 520 *	FAN UNIT KIT AMETEK 700W 100V
11B	1	147 1120 540 *	FAN UNIT KIT AMETEK1000W 120V
11B	1	147 1134 500 *	FAN UNIT KIT AMETEK 120V 400Hz - Aeroplane version * AMETEK- from Oct. 2008

>> Means: New or changed ref. number or/and changed/new specifications.

NOTE: USE NEW FAN UNIT FOR UZ 964.

In order to make the replacement from old type of fan unit into new fan, as easy as possible, the fan units are to be delivered as a spare part kit, with silencer, wires and instruction.

For more information see also TSB SE 2001-008

**WHEN ORDERING PARTS ALWAYS STATE:**

- \* The 10 digit part numbers
- \* Quantity,
- \* Specify the model and serial numbers of the machine.

**For Electrical details also:**

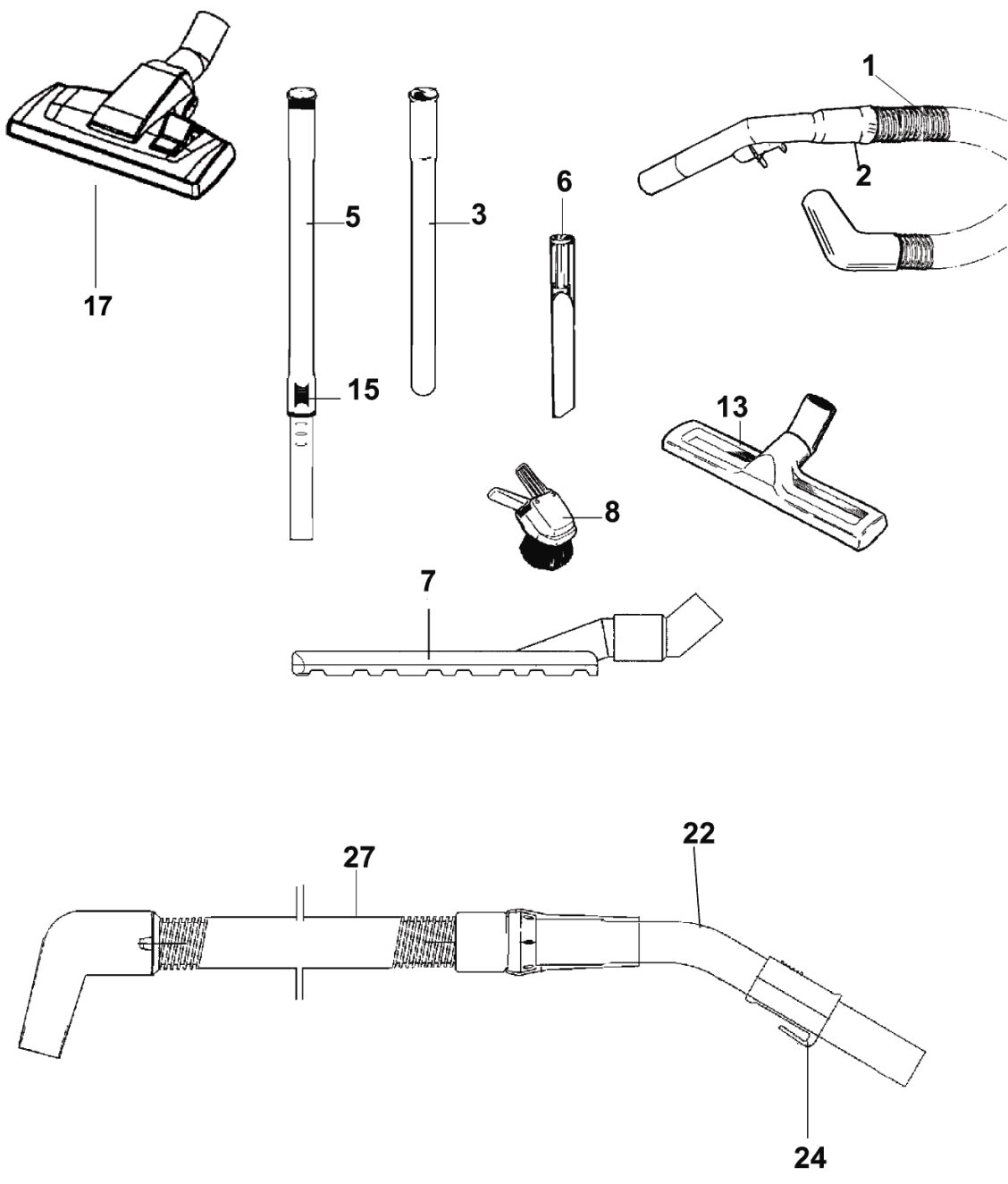
- \* Voltage
- \* Wattage

**SPARE PARTS**

**8**

**NOZZLES & HOSE, LINE DRAWING**

**11-07**



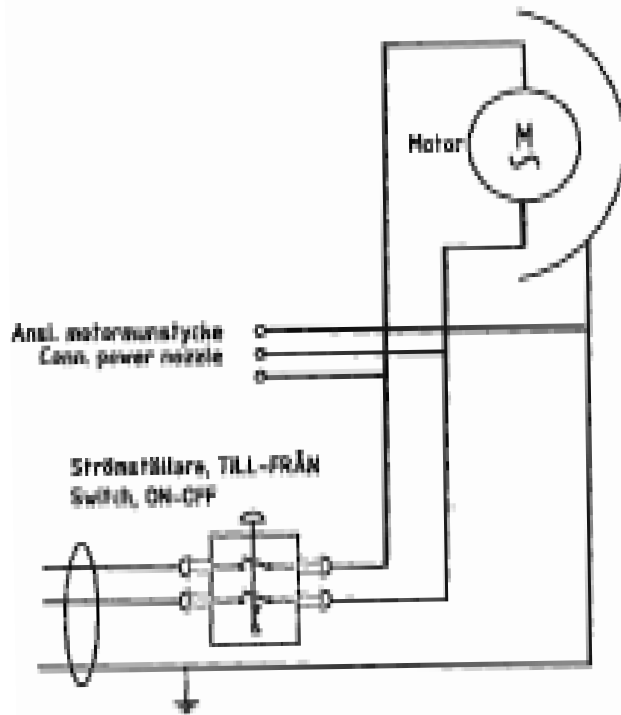


**SPARE PARTS****11-07****NOZZLES & HOSE, PART NUMBERS****9**

<u>Item.</u>	<u>Qty.</u>	<u>Part No</u>	<u>Description</u>	
1	1	140 7082 000	Hose with sleeve	
1	1	140 5691 000	Hose cpl. With bent end piece and sleeve Ø 0.10 ft (32 mm) Black hose, plastic bent end	
2	1	140 7584 500	Bent end piece cpl. Plastic	
3	2	011 6431 500	Extension tube, al. 50 cm -19.6 in	
5	1	011 8130 500	Telescopic extension tube aluminium 630 -950 mm	
6	1	010 3098 500	Crevice nozzle	
7	1	140 7547 000	Paddle nozzle	
8	1	011 3104 500	Small comb. nozzle	
13	1	140 6700 540	Nozzle compl.	
17	1 >>	140 8492 520	Combination nozzle	
22	1 >>	140 5116 500	Bent end piece. Aluminium	
24	1	010 9614 080	Retainer	
27	1	140 8070 000	Hose cpl. with bent end	Ø 0.10 ft (32 mm) Black hose, Aluminium bent end

>> Means: New or changed ref. number or/and changed/new specifications.

Termoskydd ingår i motorn.  
Thermal protection incl. in motor.

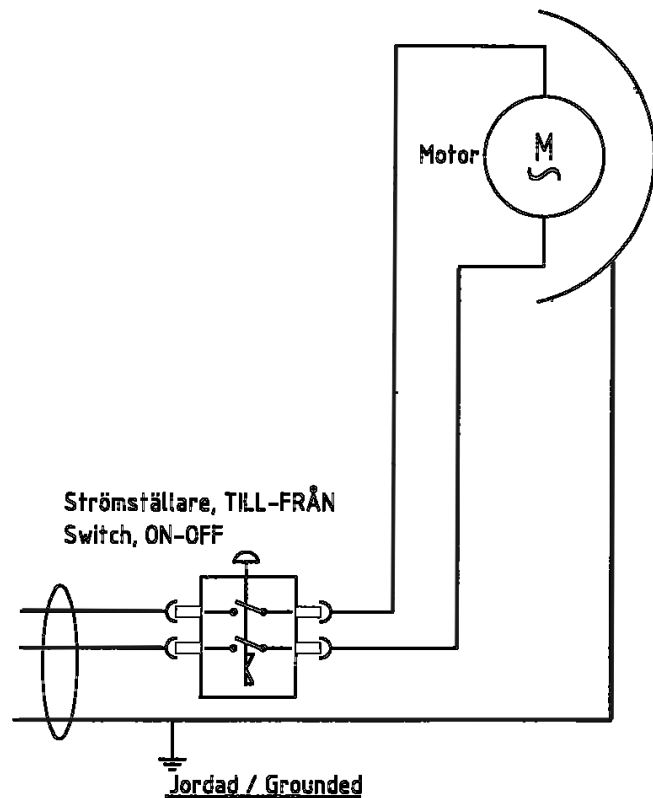


Jordad med motoranslutning  
Grounded with power cable

WIRING DIAGRAM  
FOR 140 8077 XXX  
FAN UNITS

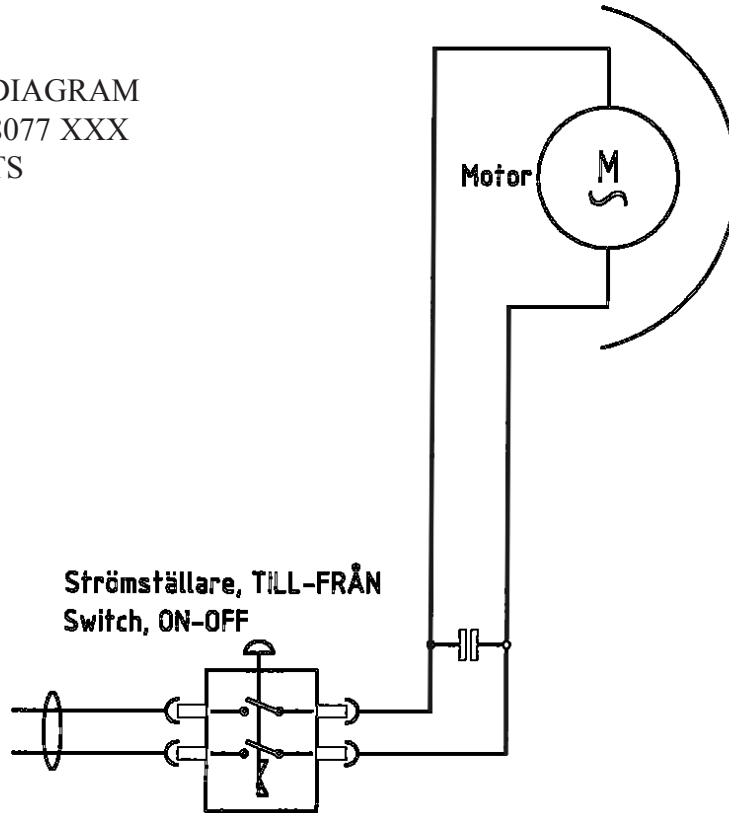
Termoskydd ingår i motorn.  
Thermal protection incl. in motor.

WIRING DIAGRAM  
FOR 140 8077 XXX  
FAN UNITS

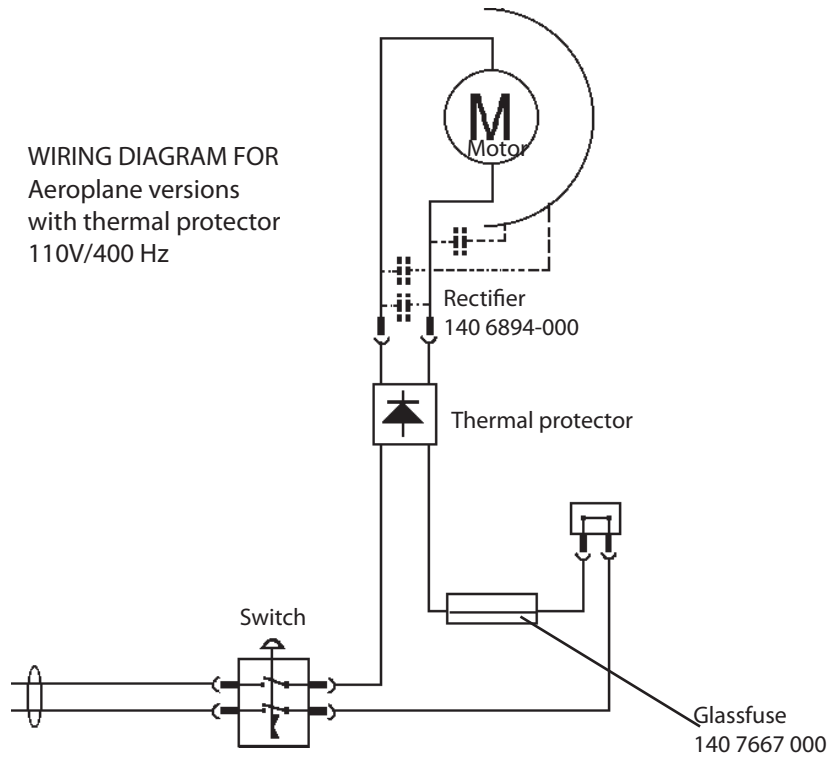


**Termoskydd ingår i motorn.  
Thermal protection incl. in motor.**

WIRING DIAGRAM  
FOR 140 8077 XXX  
FAN UNITS



WIRING DIAGRAM FOR  
Aeroplane versions  
with thermal protector  
110V/400 Hz



	<b>SPARE PARTS LIST</b>	
	<b>UZ 964 ERGOCLEAN, HIPVAC™</b>	

**NOTES:** \_\_\_\_\_

\_\_\_\_\_

\_\_\_\_\_

\_\_\_\_\_

\_\_\_\_\_

\_\_\_\_\_

\_\_\_\_\_

\_\_\_\_\_

\_\_\_\_\_

\_\_\_\_\_

\_\_\_\_\_

\_\_\_\_\_

\_\_\_\_\_

\_\_\_\_\_

\_\_\_\_\_

**WHEN ORDERING PARTS ALWAYS STATE:**

- \* The 10 digit part numbers
- \* Quantity,
- \* Specify the model and serial numbers of the machine.

**For Electrical details also:**

- \* Voltage
- \* Wattage