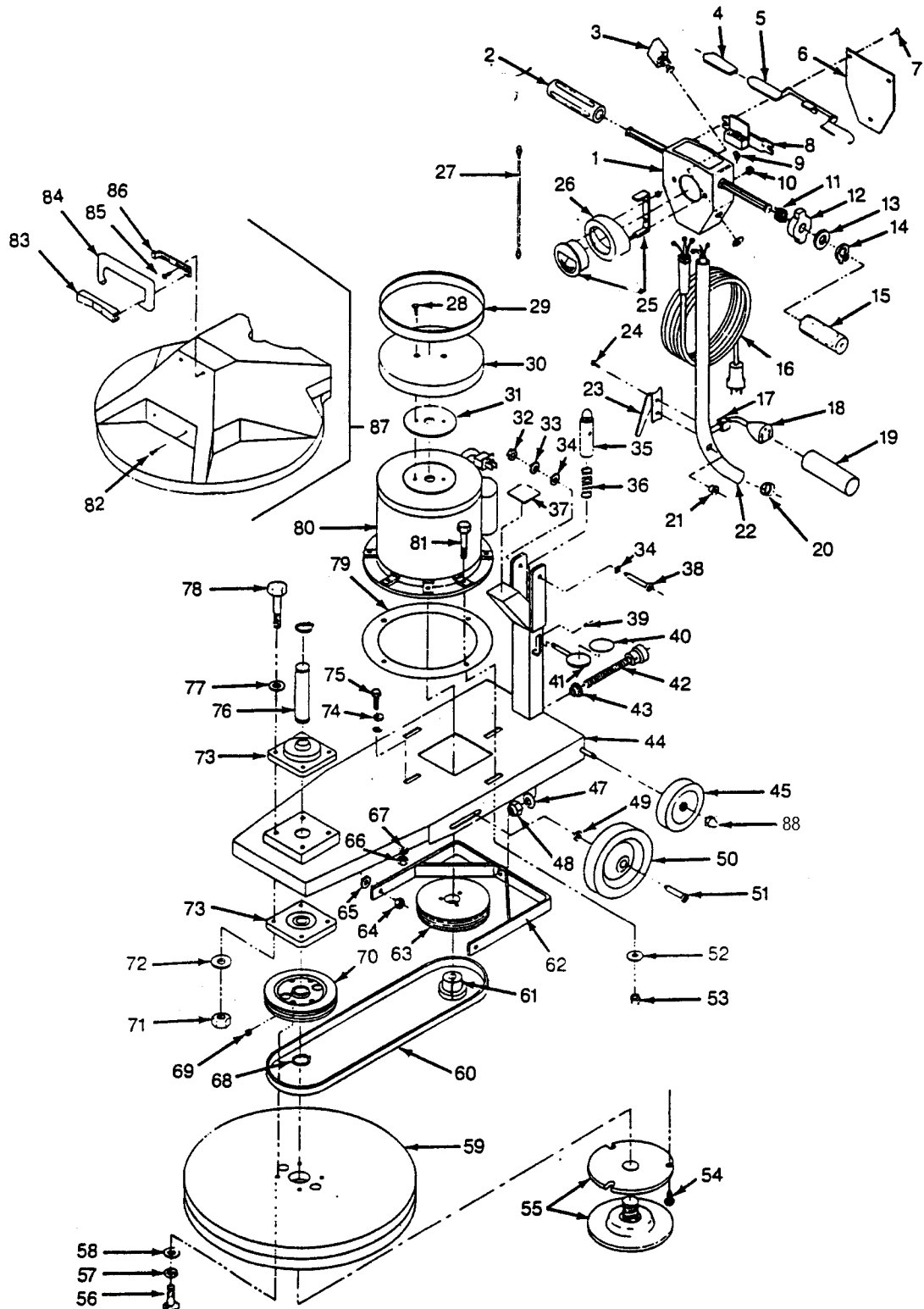


PULLMAN-HOLT

Replacement Parts List

Save For Future Reference

"Gloss Boss" Burnisher GB-1500F



REPLACEMENT PARTS LIST

Ref. No.	B Part No.	Description	Qty.	Ref. No.	B Part No.	Description	Qty.
1	B600021	Switch Box	1	48	B932683	Nut (1/2-13)	1
2	B932046	Right Handle Grip	1	49	B522505	Washer	2
3	B980547	Circuit Breaker	1	50	B980565	6" Wheel	2
4	B932062	Trigger Sleeve	2	51	B522772	Shoulder Bolt (1/2" x 1 3/4")	2
5	B980302	Trigger	1	52	B960501	Flat Washer	4
6	B205079	Switch Box Cover	1	53	B932599	Nut (5/16"-18)	4
7	B932631	Screw (8-32 x 1/2")	3	54	B931308	Screw (#10 x 1/2")	3
8	B930431	Switch Assembly	1	55	B700378	Pad Lock Device	1
9	B932123	Trigger Spring	1	56	B932589	Screw (5/16"-18x 1-1/2")	4
10	B932721	Nut w/Integral Lock Washer	2	57	B932665	Split Lock Washer	4
11	B524548	Safety Latch Spring	1	58	B960501	Flat Washer	4
12	B524244	Safety Latch	1	59	B980559	Pad Driver	1
13	B524825	Safety Latch Spacer	1	60	B522774	Drive Belt	1
14	B914705	Ring	1	61	B980550	Tapered Bushing	1
15	B524716	Left Handle Grip	1	62	B522782	Wheel Adjustment Bracket	1
16	B930404	Cord Set (14/3x50 ft.)	1	63	B522768	Motor Pulley	1
17	B205084	Strain Relief	1	64	B521479	Lock Nut (3/8"-16)	2
18	B525046	Cordset (14/3x33")	1	65	B522771	Washer	2
19	B525311	Restraint Shroud	1	66	B932599	Lock Nut (5/16"-18)	1
20	B524399	Handle Plug	1	67	B932664	Flat Washer	3
21	B524393	Bushing	2	68	B914705	Retaining Ring	2
22	B525022	Handle Pipe	1	69	B914679	Setscrew (5/16"-18)	2
23	B932090	Cord Hook	1	70	B980586	Driven Pulley	1
24	B932647	Screw (8-32 x 3/8")	2	71	B932684	Lock Nut (3/8"-16)	4
25	B522777	Ammeter	1	72	B960501	Flat Washer	4
26	B522795	Ammeter Housing	1	73	B521111	Flange Bearing	2
27	B800037	Lead Assembly	2	74	B980570	Cam Tensioner	1
28	B932668	Screw (10-32 x 1/2")	2	75	B932679	Screw (5/15-18 x 1")	1
29	B527092	Canopy Bumper	1	76	B980554	Shaft Bearing	1
30	B205081	Motor Canopy	1	77	B932648	Flat Washer	4
31	B930522	Canopy Spacer	1	78	B980571	Screw (3/8"-16x2")	4
32	B932599	Nut (5/16" - 18)	1	79	B932969	Motor Gasket	1
33	B932664	Flat Washer	1	80	B980548	1.5 HP Motor	1
34	B932648	Flat Washer	2	81	B932679	Screw (5/16"-18 x 1")	4
35	B524356	Handle Latch Pin	1	82	B932702	Screw (10-24 x 3/4")	6
36	B524384	Handle Release Spring	1	83	B980564	Handle Cap	1
37	B522102	Bumper Pad	1	84	B980562	Handle	1
38	B524320	Shoulder Bolt (3/8-16x2")	1	85	B932716	Screw (8-32)	2
39	B980257	Screw (1/2"-20 x 5/16")	1	86	B980563	Handle Bracket	1
40	B526149	2" Pedal Disc	1	87	B524866	Shroud Assembly	1
41	B524856	Pedal Release	1	88	B521479	3/8-16 Lock Nut	2
42	B522799	Knob and STEM Assembly	1	Motor Parts Not Shown			
43	B522506	Bushing	1		B527371	Capacitor (run)	
44	B524344	Chassis	1		B527353	Capacitor (start)	
45	B932159	4" Wheel	2		B527345	Stationary Switch	
47	B524064	Belleville Washer	1		B527348	Rotor Switch	

PULLMAN-HOLT

10702 N 46th Street • Tampa, FL 33617
 (813)971-2223 • toll free (800) 237-7582
 fax (813) 971-6090 • order entry fax (800) 833-8875
 www.pullmanholtcorp. com