

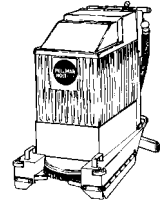
PULLMAN-HOLT

Replacement Parts List

Save For Future Reference

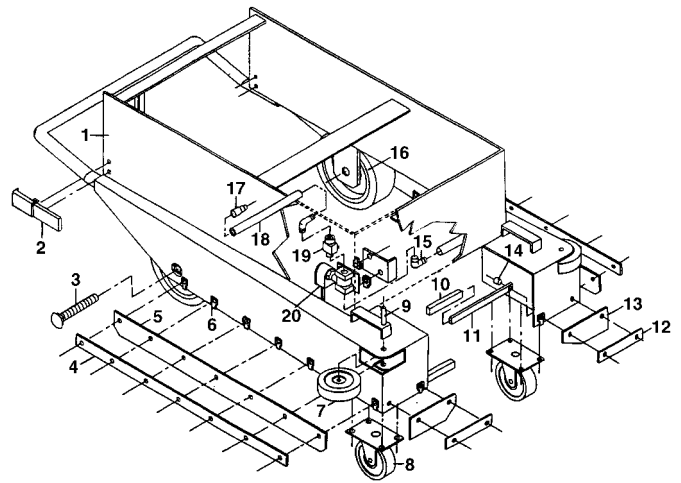
Automatic Scrubber

Model ES2000



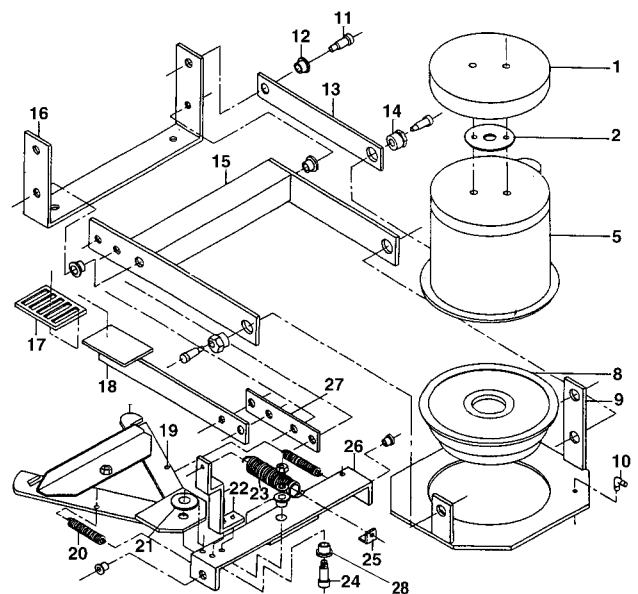
CHASSIS ASSEMBLY

Ref. No.	Part No.	Description	Qty.
1	B970553	Chassis	1
2	B525033	Clamp	2
3	B931288	Wheel Axle	2
4	B931668	Skirt Retainer (left or right)	2
5	B931670	Skirt (left or right)	2
6	B931253	Speed Nut	18
7	B932161	Bumper Wheel	2
8	B931300	Caster	2
9	B931284	Wheel Pin	2
10	B931732	Support Arm Boot	2
11	B931537	Support Arm	2
12	B931207	Skirt Front Retainer	2
13	B931615	Front Skirt	2
14	B932276	Spring	2
15	B931305	Elbow	2
16	B230206	6" Wheel	2
17	B931246	Hose Adaptor	1
18	B931261	Hose	1
19	B931517	Needle Valve	1
20	B931694	Solution Valve 115V	1



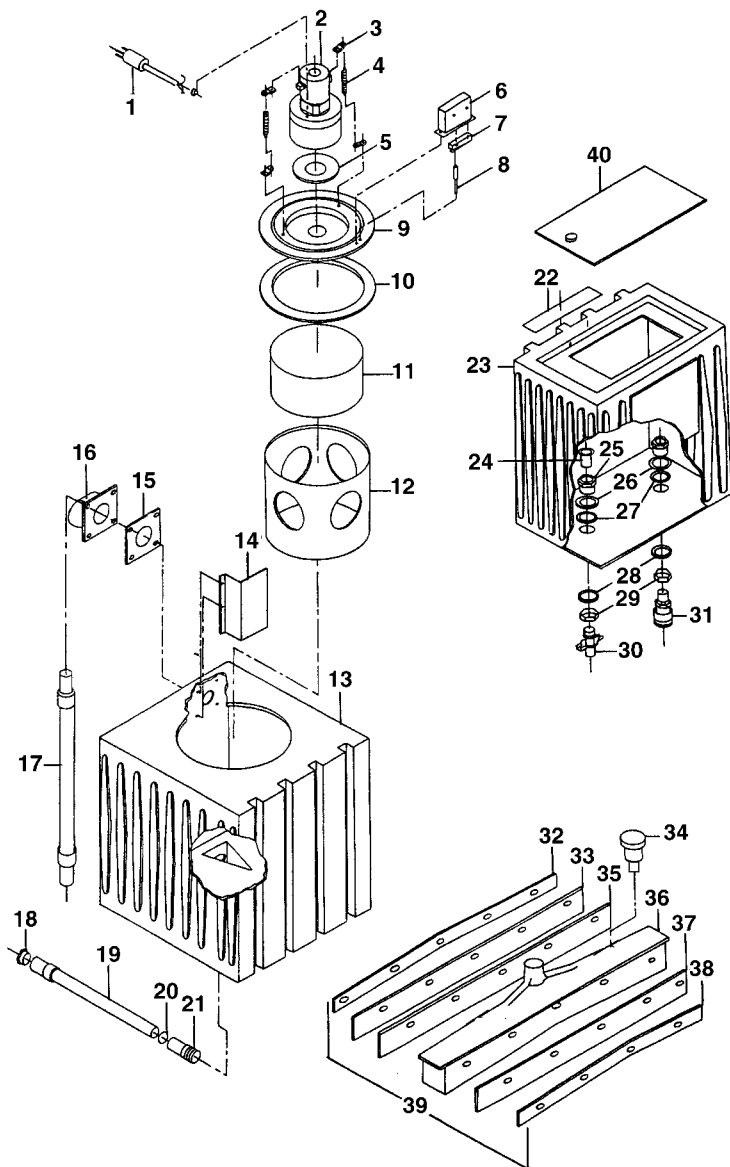
Brush Lift Mechanism

Ref. No.	Part No.	Description	Qty.
1	B205081	Motor Canopy	1
2	B930522	Canopy Spacer	1
3	B700895	3/4 HP Capacitor (not shown)	1
4	B527359	Capacitor Cover (not shown)	1
5A	B700790	Drive Brush Motor - 115V	1
5B	B700896	Drive Brush Motor - 220V	1
8	B700793	Gear Box	1
9	B931194	Mounting Plate	1
10	B931305	Elbow	1
11	B931286	Shoulder Bolt	3
12	B931244	Bushing	7
13	B931189	Motor Lift Link	1
14	B931662	Eccentric Nut	3
15	B931200	Motor Lift Yoke	1
16	B931186	Motor Pivot Yoke	1
17	B931209	Pedal Pad	1
18	B931191	Pedal Lift	1
19	B931275	Squeegee Trailing Arm	1
20	B931257	Spring	2
21	B932188	Bronze Washer	2
22	B931269	Squeegee Tension Arm	1
23	B931256	Tension Spring	1
24	B931287	Pivot Bolt	1
25	B980322	Tension Spring Clip	1
26	B931272	Pivot Yoke	1
27	B931315	Link	1
28	B931244	Bearing	1
29	B452004	Pad Drive Brush (not shown)	1



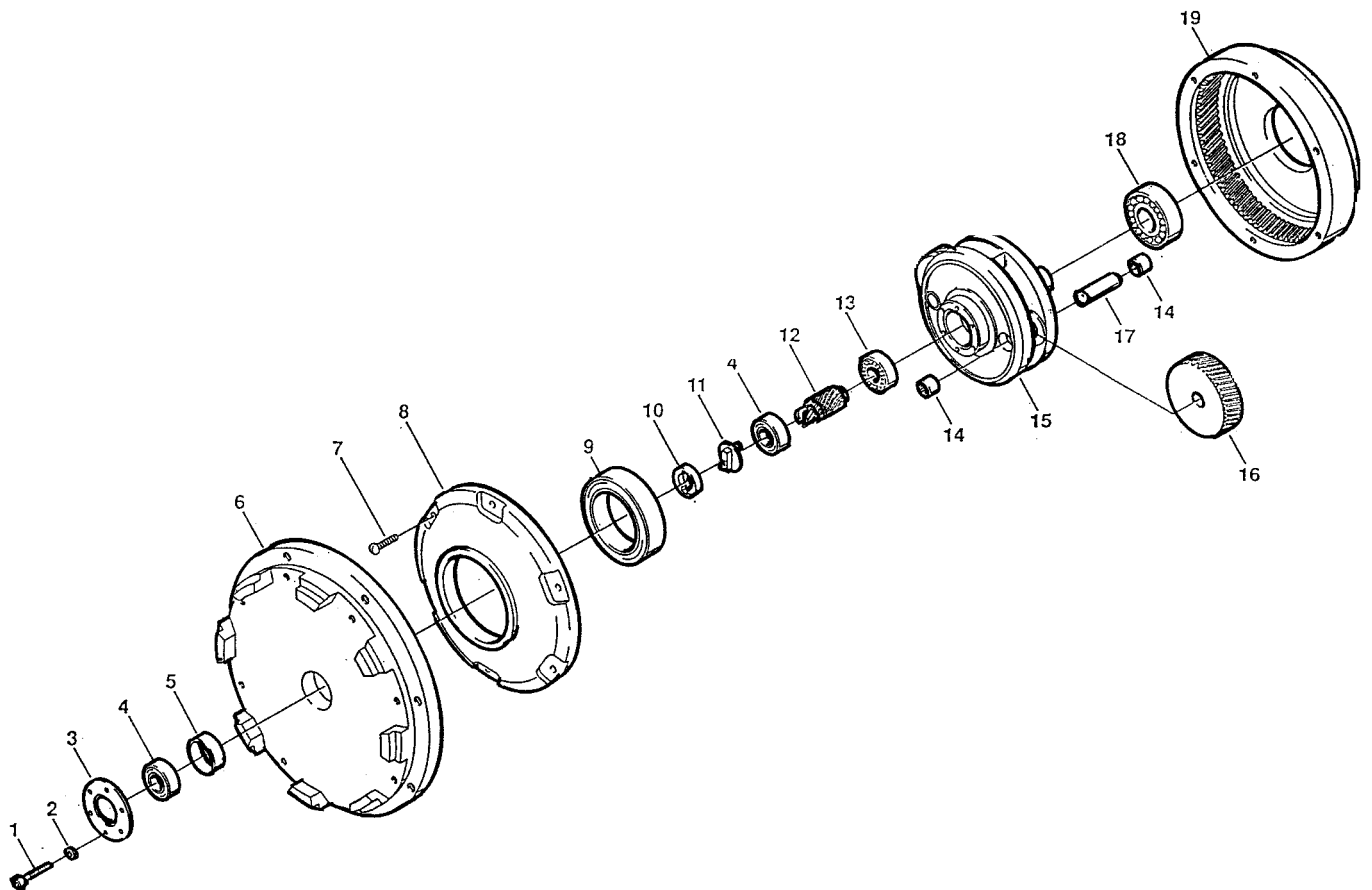
Solution Recovery System

Ref. No.	Part No.	Description	Qty.	Ref. No.	Part No.	Description	Qty.
1	B524848	Cordset	1	21	B970585	Drain Hose Connector	1
2A	B522421	Vacuum Motor 115 V	1	22	B802346	Strainer Assembly	1
2B	B522422	Vacuum Motor 220V	1	23	B931231	Solution Tank	1
3	B932255	Spring Clip	4	24	B931660	Strainer	1
4	B931257	Spring	2	25	B932192	Drain Body	2
5	B701385	Gasket	1	26	B932188	Washer	2
6	B970589	Float Switch Housing	1	27	B701391	Gasket	2
7	B931254	Float Switch	1	28	B932188	Washer	2
8	B914709	Float Switch Actuator	1	29	B932193	Nut Drain Body	2
9	B970586	Mounting Plate	1	30	B932173	Valve Drain	1
10	B931227	Gasket	1	31	B931245	Solution Tank Check Unit	1
11	B931666	Float Body	1	32	B960443	Rear Strap	1
12	B970588	Float Housing	1	33	B931665	Back-Up Blade	1
13	B970581	Recover Tank	1	34	B700168	Hand Knob w/Studs	2
14	B931224	Inlet Baffle	1	35	B931692	Rear Blades (set of 2)	1
15	B931228	Inlet Gasket	1	36	B931607	Squeegee	1
16	B524881	Tank Inlet	1	37	B931614	Front Blade	1
17	B525026	Inlet Hose Assembly	1	38	B931612	Front Strap	1
18	B931309	Hose Cap	1	39	B960697	Squeegee Assembly	1
19	B931312	Drain Hose	1	40	B802346	Screen Assembly	1
20	B931311	Drain Hose Clamp	1		B931522	Solution Tank Assembly	1



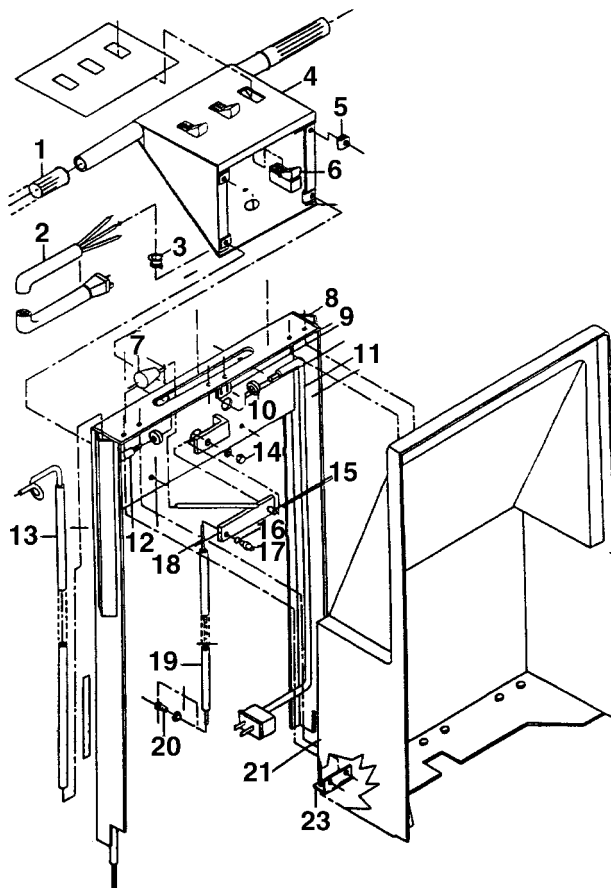
Gear Assembly

Ref. No.	Part No.	Description	Qty.
1	B701020	Screw, Socket Head Cap	6
2	B700186	Washer, Lock	6
3	B700855	Retainer Plate	1
4	B700854	Bearing	2
5	B700853	Spacer Sleeve	1
6	B700852	Endshield	1
7	B960973	Screw, Round Head Machine	6
8	B700851	Housing Cover	1
9	B700850	Bearing	1
10	B700849	Retainer	1
11	B700848	Coupling	1
12	B700847	Pinion Gear	1
13	B700846	Bearing	1
14	B700845	Needle Bearing	4
15	B700844	Cage	1
16	B700843	Idler Gear	2
17	B700842	Shaft	2
18	B700841	Bearing	1
19	B700840	Drive Housing	1
	B700793	Gear Assembly	1



Handle Assembly

Ref. No.	Part No.	Description	Qty.
1	B932046	Handle Grip	2
2	B520026	75' Cordset	1
3	B910089	Strain Relief	2
4	B525027	Console	1
5	B931252	Speed Nut	4
6	B524934	Control Switch	3
7	B931255	Lift Handle Knob	1
8	B525029	Post and Panel Assembly	1
9	B000485	Receptacle - 115V	1
10	B932069	Strain Relief	1
11	B525047	54" Cordset	1
12	B525025	Cord Assembly - Solution Valve	1
13	B931527	Cord Trailing Arm Assembly	1
14	B932684	Locknut	1
15	B931217	Squeegee Lift Cable	1
16	B932569	Insulator	1
17	B931307	Cable Retainer	1
18	B980420	Squeegee Lift Cable	1
19	B980467	Cable Shield	1
20	B932165	Cable Clamp	1
21	B524858	Cover	1
22	B525028	L.H. Hinge (not shown)	1
23	B931532	R.H. Hinge	2



PULLMAN-HOLT

10702 N 46th Street • Tampa, FL 33617

(813)971-2223 • fax (813)971-6090

www.pullmanholtcorp.com