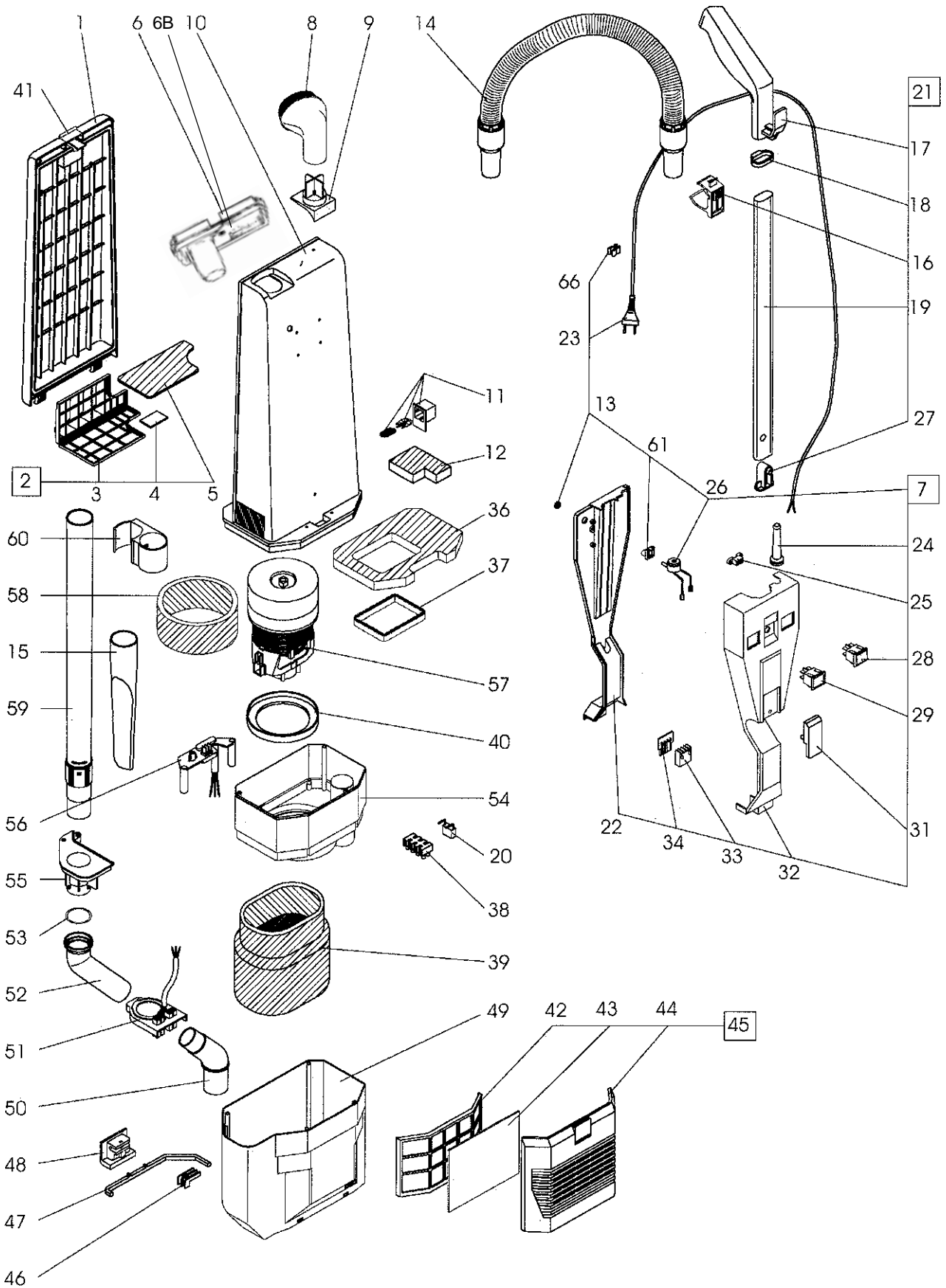


DESCRIPTION

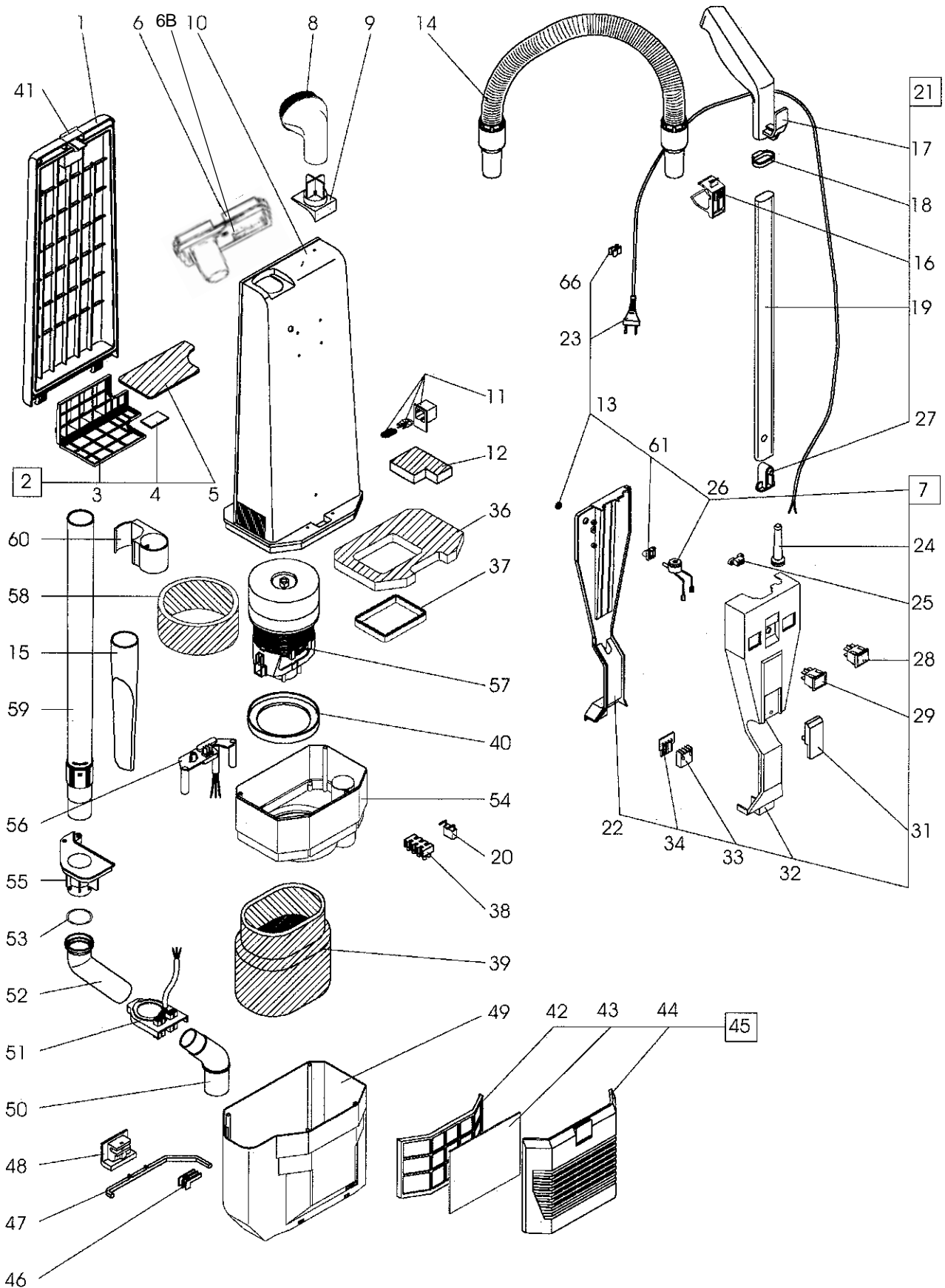
PLAN

Vacuum body, line drawing	B - 2.6.1-22
Vacuum body, part numbers	B - 2.6.1-23
Vacuum body, line drawing	B - 2.6.1-24
Vacuum body, part numbers	B - 2.6.1-25
Brush housing, line drawing	B - 2.6.1-26
Brush housing, part numbers	B - 2.6.1-27



Item.	Qty.	Part No	Description
1	1	56704205	Bag Housing Cover
2	1	56646851	Grill, Complete
3	1	56703712	Grill Filter Holder
4	1	56703714	Scented Pad, Pkg. of 10
5	1	56703713	Internal Filter, Pkg. of 1
6	1	>>140 9325 000	Safety support clip
>>6B	1	56703720	Bag entrance
7		140 7924 000	Electrical System 220-240V Schuko plug -EU
7	1	140 7927 000	Electrical System 240V UK plug
7	1	140 7925 000	Electrical System 240V Australian plug
7	1	140 7926 000	Electrical System 230V Swiss plug
7	1	140 9316 000	Electrical System 100V Japan plug
8	1	56703785	Round Dusting Brush
9	1	56646858	Round Dusting Brush Support
10	1	56704207	Bag Housing, Complete
11	1	56703779	Valve Kit
12	1	56646861	Valve Filter
13	1	56703978	O-Ring
14	1	56704216	Flexible Hose w/Sleeves
15	1	56703725	Crevice Tool
16	1	56704208	Upper Hook f/Flexible Hose
17	1	56646865	Handle Grip (only)
18	1	56704209	Crevice Tool Clip (Retainer)
19	1	56704221	Chromate Tube (only)
20	1	56703784	RFI filter 220-240
21	1	56646869	Handle Tube Asm.
22	1	56704210	Handle cover
23	1	56703982	Cord, 2 x 1 UK plug
23	1	56704123	Cord Swiss plug
23	1	56704144	Cord 2x1 Australian plug
23	1	56703974	Cord 2x1 Schuko plug
23	1	140 9317 000	Cord 2x18 Japan plug
24	1	56703663	Strain relief, 230/240V
24	1	56703662	Strain relief 100V / 120V
25	1	56703977	Cord Clamp
26	1	56704159	Vacuum Sensor
27	1	56646875	Button + support + spring
28	1	140 7921 000	Main Switch 230/240V
28	1	56703708	Main switch 100V /120V
29	1	56703709	Indicator Light
31	1	56646878	Cord Hook
32	1	56704211	Frame Handle assy
33	1	56646879	Contact Housing, 4 Pos.
34	1	56646880	Contact Cover, 4 Pos.
36	1	56703706	Foam Filter
37	1	56703705	Gasket
38	1	56703783	Terminal Block, 2 Poles.

>> Means: New or changed ref. number or/and changed/new specifications



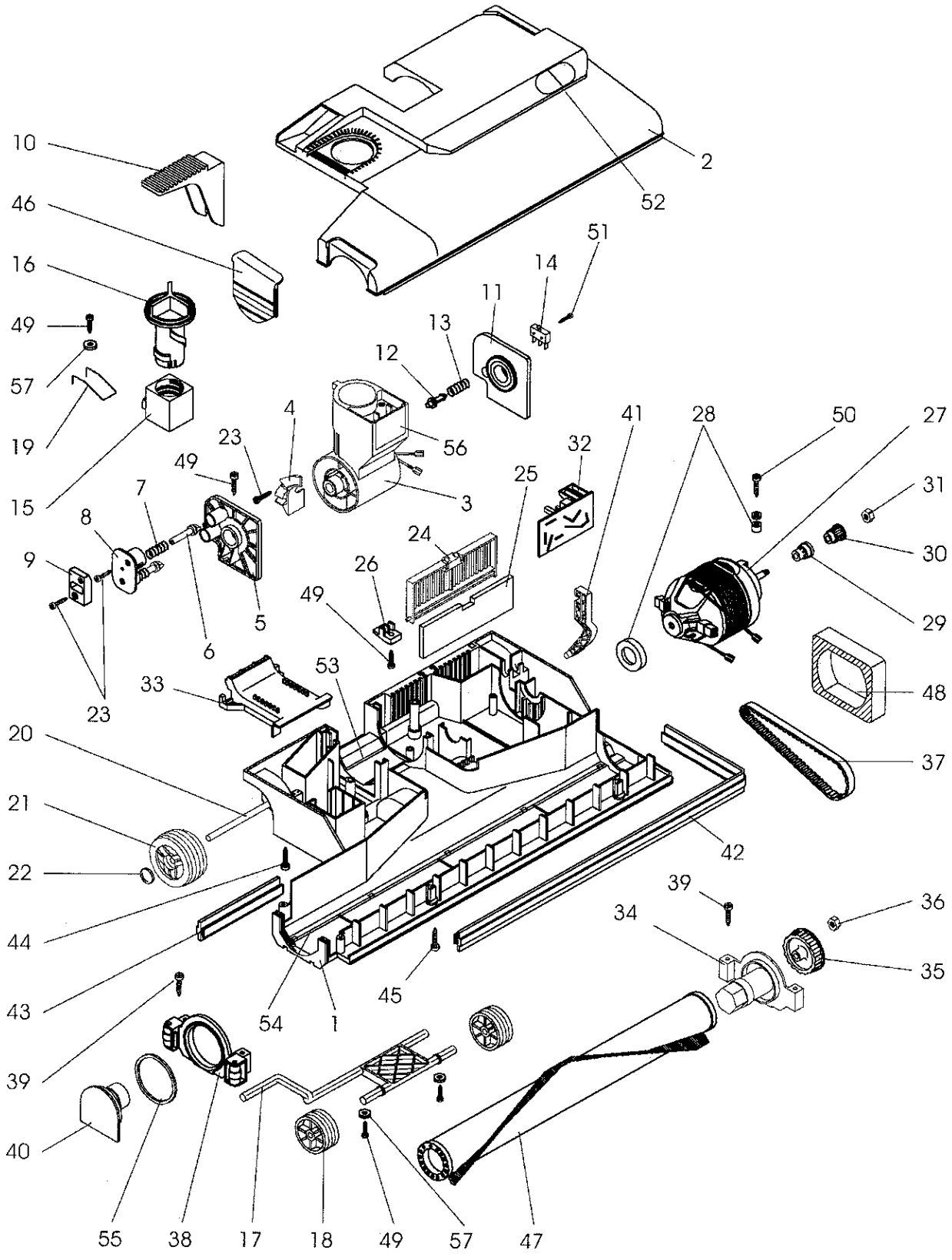
02-09	SPARE PARTS LIST GU 350A & GU 450A	BOOK B		
05-02	VACUUM BODY, PART NUMBERS	B	2.6.1	25

Item.	Qty.	Part No	Description
39	1	56646884	Foam motor filter
40	1	56646885	Gasket
41	1	56704212	Bag door latch + spring
42	1	56704222	Filter holder
43	1	56646888	Exhaust Filter, Pkg. of 5
44	1	56704223	Exhaust Filter Cover
45	1	56704224	Complete Grill
46	1	56703966	Blocking Joint Pin
47	1	56703938	Joint Pin
48	1	56646893	Control Pin Slide
49	1	56704225	Vacuum Motor Housing
50	1	56646895	Lower Curve
51	1	140 7922 000	Curve Support V.100-230-240
52	1	56646897	Upper Curve
53	1	56646898	O-Ring
54	1	56704215	Inner Vacuum Motor Housing
55	1	56646900	Hose Inlet
56	1	141 2975 010	Cord Clamp, 100-240V
57	1	56704169	Vacuum Motor, 240V/50Hz
57	1	140 9320 000	Vacuum Motor, 100V/50-60Hz
57	1	56704168	Vacuum motor, 120V
*	2	56704174	Carbon brush for Vacuum motor
58	1	56703775	Foam filter
59	1	56704213	Telescopic Wand
60	1	56704214	Wand clip
61	1	56704160	Vacuum sensor adaptor
66	1	56703990	Cord clip

Accessories

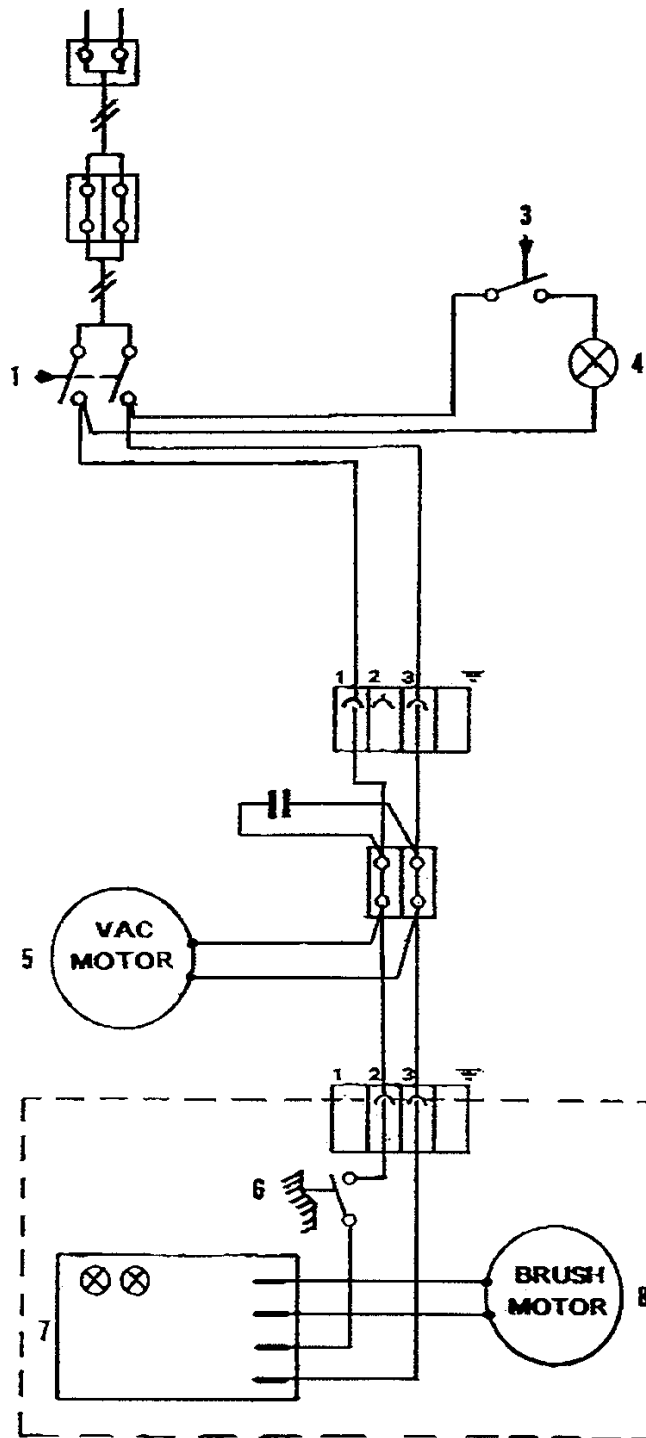
56703868	Paper dustbag (pkg. of 10)
56703658	Cloth dustbag (pkg. of 5)
56320676	Clip, cloth bag
56703774	Upholstery nozzle
56703771	Extension tube, 30 mm x300 mm
56703772	Tube Bend w/suction control

* Means not shown

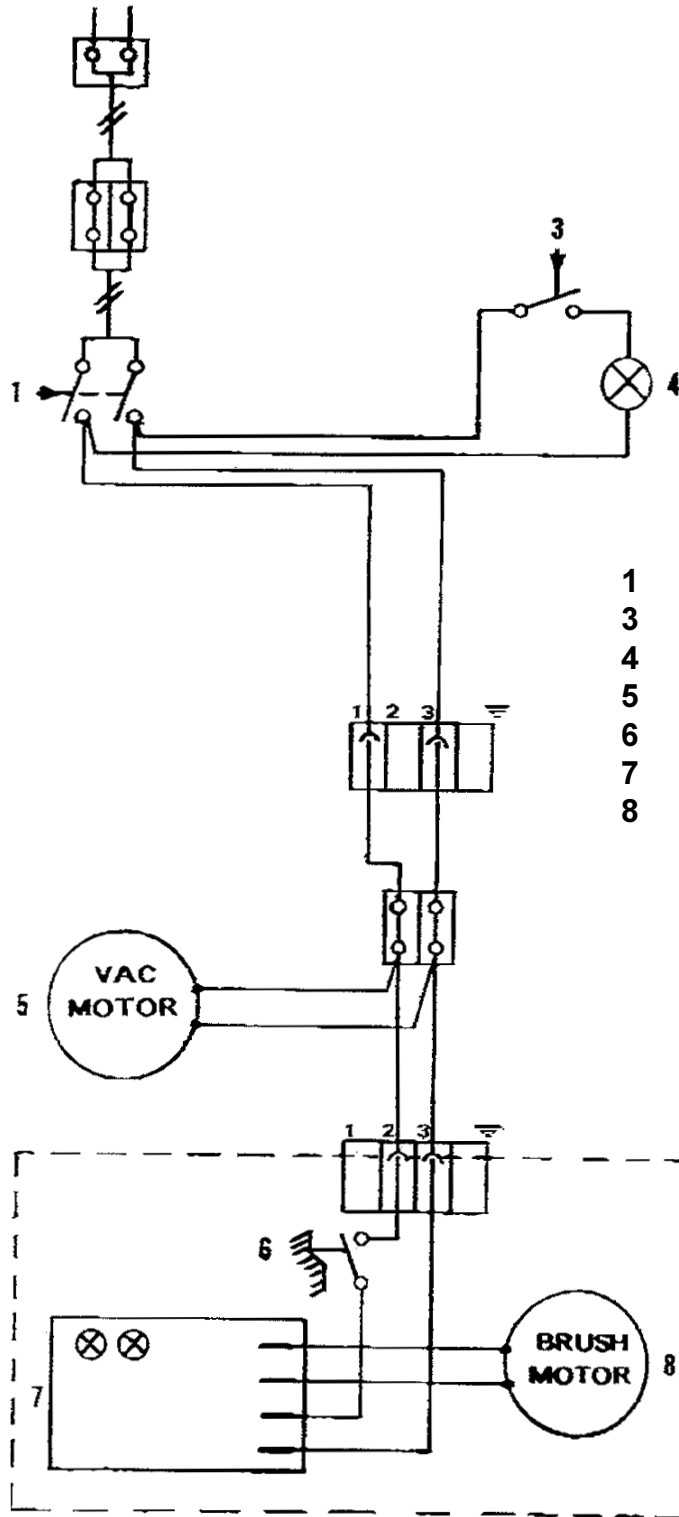


01-12	SPARE PARTS LIST GU 350A & GU 450A	BOOK B		
01-09	BRUSH HOUSING, PART NUMBERS	B	2.6.1	27

Item.	Qty.	Part No	Description
1	1	56704227	Body main brush head 380
1	1	56704228	Body main brush head 500
2	1	56704229	Electric brush cover w. gasket 380
2	1	56704230	Electric brush cover w. gasket 500
3	1	56704064	Joint cpl. 230V / 240V / 100V
4	1	56704016	Joint pin slide
5	1	56704017	Support right joint
6	2	56704018	Plunger
7	2	56703766	Spring, handle release pedal
8	1	56704019	Double pin washer
9	1	56704020	Double release plate
10	1	56704107	Handle release pedal
11	1	56704022	Support left joint
12	1	56704023	Switch activator pin
13	1	56704024	Spring
14	1	56703738	Brush motor switch
15	1	56703762	Brush adjuster
16	1	56703008	Brush adjuster knob
17	1	56704028	Front axle
18	2	56703757	Front wheel
19	1	56704030	Spring, brush adjust
20	1	56704031	Rear axle, for fixed whels
21	2	56704032	Rear wheel
22	2	56704033	Wheel retainer
23	4	56704065	Screw 2,9x16 mm
24	1	56704106	Filter grill
25	1	56704035	Brush motor filter
26	1	56704124	Stop grill plate
27	1	56703657	Brush motor 240V, GU 350A
27	1	56704025	Brush motor 240V, GU 450A
27	1	56703743	Brush motor 100-120V, GU 350A
27	1	56704037	Brush motor 100-120V, GU 450A
28	2	56704137	Carbon brush, for brush motor
28	1	56704038	Kit brush motor support kit
29	1	56704130	Pinion spacer
30	1	56704129	Pinion
31	1	56703853	Pulley nut
32	1	56704026	Circuit board 230/240V
32	1	56703739	Circuit board 100V
33	1	56704155	Channel cover
34	1	56704044	Transmission support
35	1	56703747	Brush pulley
36	1	56703746	Brush pulley nut
37	1	56704039	Timing belt 7 mm
38	1	56704047	Wheels support
39	4	56704041	Screw 3,9x16 mm
40	1	56704049	Roller support
41	1	56704050	Side lever
42	1	56704051	Front bumper for GU 350A
42	1	56704052	Front bumper for GU 450A
43	1	56704053	Back bumper for GU 350A
43	1	56704054	Back bumper for GU 450A
44	5	56704055	Screw 4,8 50 mm
45	2	56704056	Screw 3,5 x 38 mm
46	1	56704105	Side cover
47	1	56704058	Brush roller GU 350A
47	1	56704059	Brush roller GU 450A
48	1	56704060	Brush motor filter
49	5	56704046	Screw 3,9x13 mm
50	2	56704219	Screw 3,5x25 mm
51	1	56704045	Screw 2,2x16 mm
52	1	56704217	Lens set, red / green
53	1	56704218	Felt for brush housing
54	1	140 9323 000	Base metal guides set 380
54	1	56704220	Base metal guides set 500
55	1	56704135	O-ring
56	1	56704131	Male electrical connection set
57	3	56704231	Washer



- 1 MAIN SWITCH
- 3 VACUUM SENSOR
- 4 INDICATOR LIGHT
- 5 VACUUM MOTOR
- 6 MICRO SWITCH
- 7 CIRCUIT BOARD
- 8 BRUSH MOTOR



- 1 MAIN SWITCH
- 3 VACUUM SENSOR
- 4 INDICATOR LIGHT
- 5 VACUUM MOTOR
- 6 MICRO SWITCH
- 7 CIRCUIT BOARD
- 8 BRUSH MOTOR