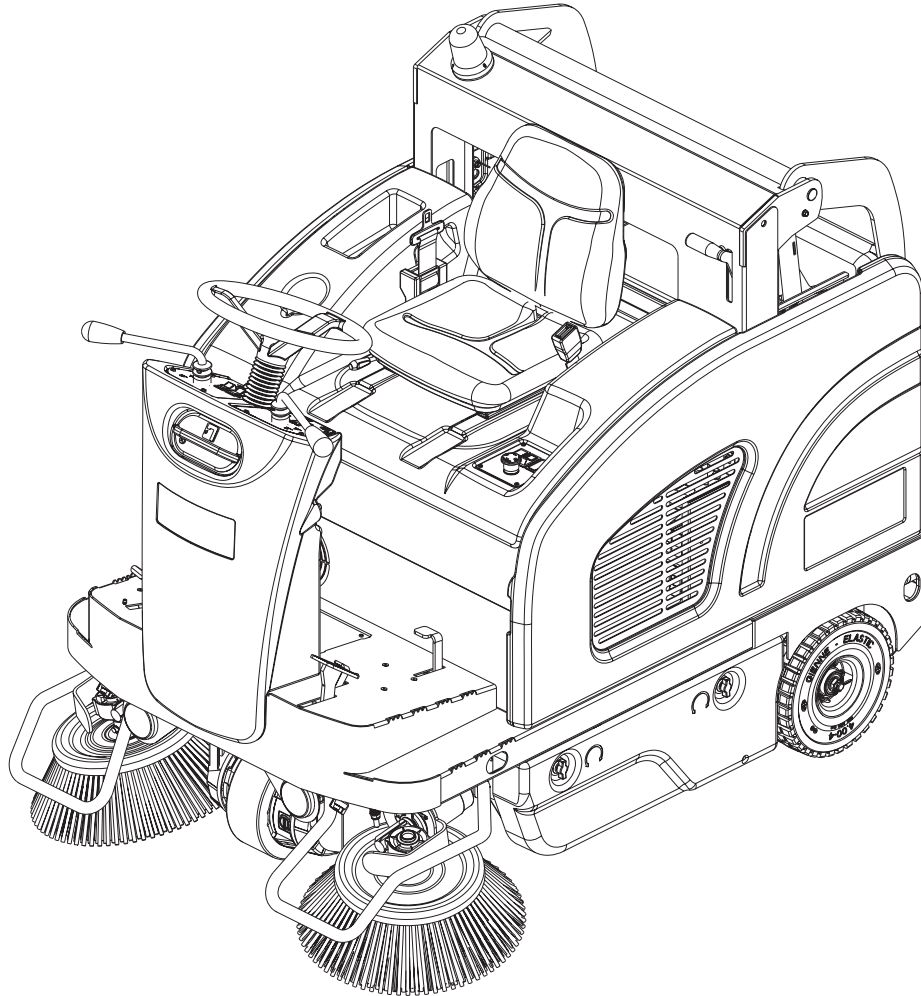


SW4000



PARTS LIST

Advance model: 9084403010



Advance

03/2013 Revised 06/2015

(2)

FORM NO. 1464819000

TABLE OF CONTENTS

ENG	PAGE
GENERAL VIEW	2 - 3
FRAME SYSTEM	4 - 7
EXTENSIBLE ARM	8 - 9
FRAME	10 - 13
SEAT COVER	14 - 15
LATERAL COVERS	16 - 17
ELECTRIC WHEEL	18 - 19
MOTOR WHEEL	20 - 21
RIGHT BROOM	22 - 23
LEFT BROOM	24 - 25
MAIN BROOM	26 - 27
BROOM CLOSING	28 - 29
MAIN BROOM ADJUSTMENT	30 - 31
FRONT LIFT FLAP	32 - 33
VACUUM SYSTEM	34 - 35
PANEL FILTER	36 - 37
LIFTING ARMS	38 - 39
HOPPER SYSTEM	40 - 41
PEDAL BRAKE	42 - 43
ACCELERATOR PEDAL	44 - 45
STEERING COLUMN	46 - 47
BROOM LEVERS	48 - 49
CONTROL PANEL	50 - 51
CONTROL PANEL COVER	52 - 53
ELECTRIC SYSTEM	54 - 55
HYDRAULIC SYSTEM	56 - 57
BATTERIES	58 - 59
GUARD LEFT/RIGHT SIDE BROOM	60 - 61
FLOOR MAT AND BEACON	62 - 63
ACCESSORIES	64 - 69
WIRING SYSTEM	70 - 71
RECOMMENDED SPARE PARTS	72 - 73
OPTIONALS	74

WHEN ORDERING PARTS

- * Use the part numbers from the "Ref. No." columns in this parts list.
- * Specify the model and serial number of the machine.
- * Use the space below to record the model and serial number for future reference.

Model

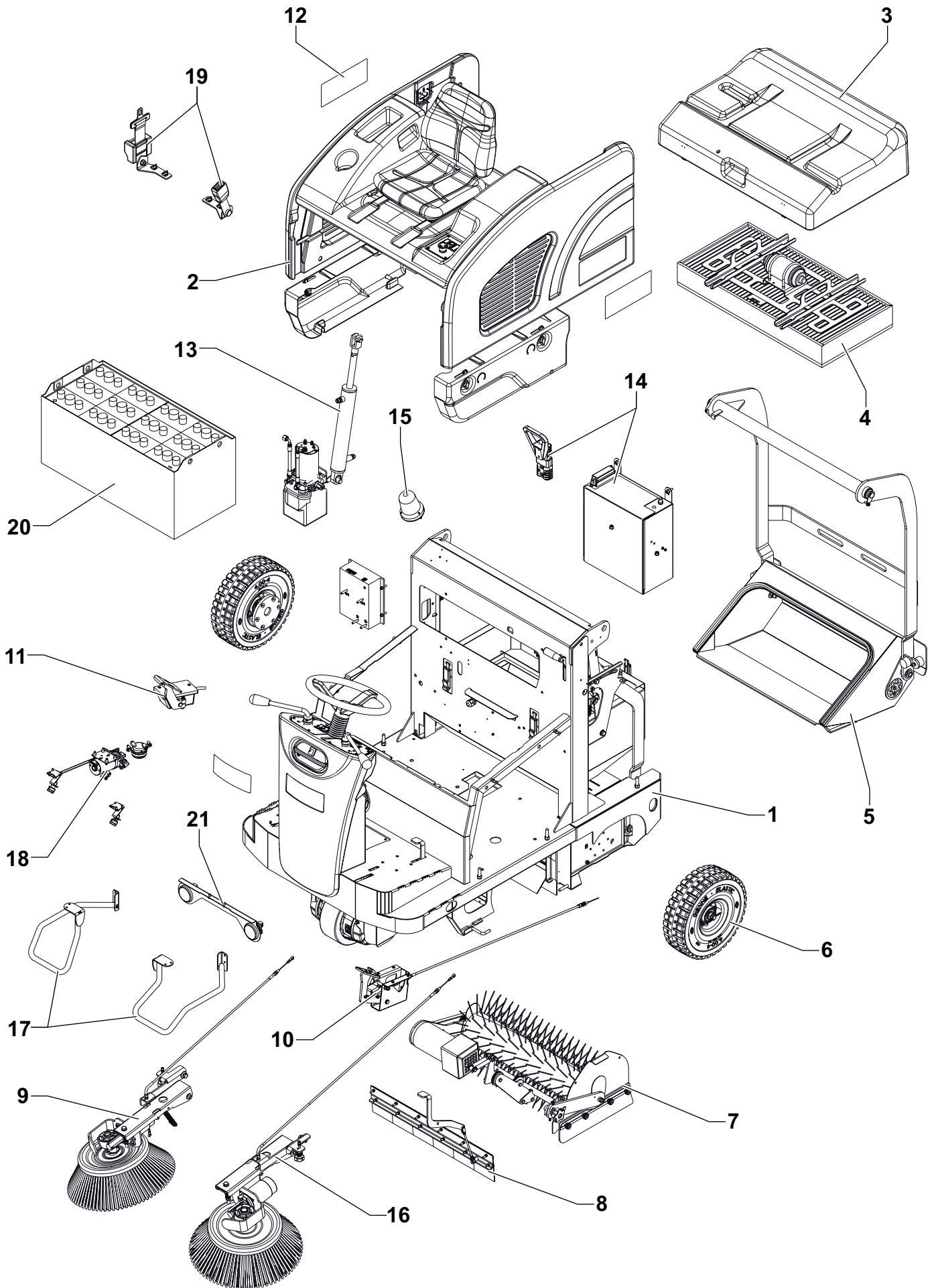
Serial No.

* = Optional

= Modified item No. or New item No.

[] = Not shown

GENERAL VIEW

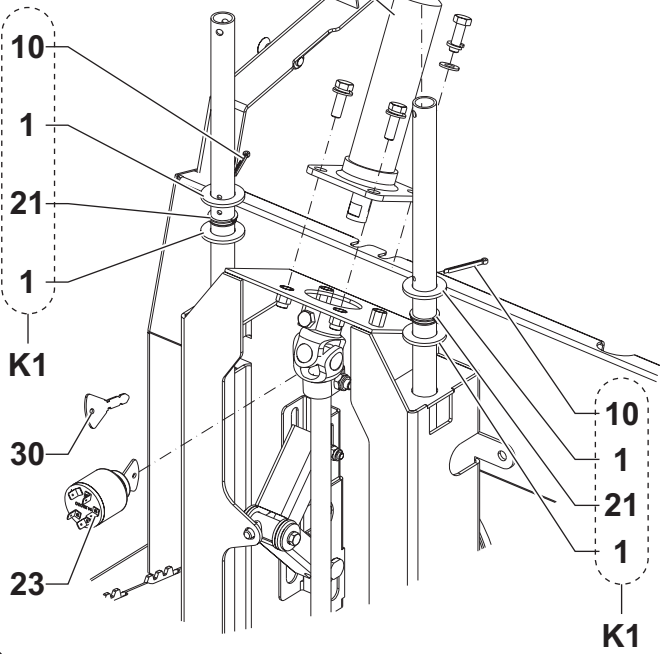


GENERAL VIEW

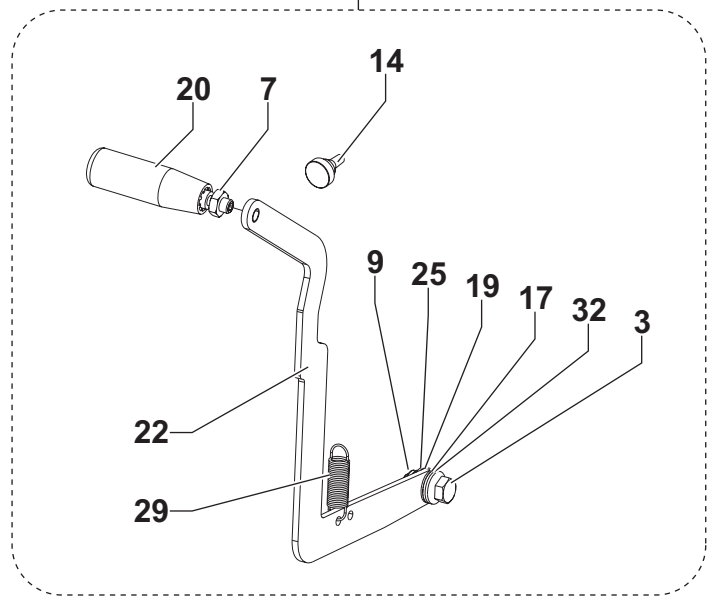
KIT	ITEM	REF. NO.	QTY	DESCRIPTION
	1	-	1	CHASSIS ASSY
	2	-	1	COVERS AND COFFINS ASSY
	3	-	1	VACUUM COVER ASSY
	4	-	1	PANEL FILTER ASSY
	5	-	1	HOPPER ASSY
	6	-	1	REAR WHEELS ASSY
	7	-	1	CENTRAL BROOM ASSY
	8	-	1	FRONT FLAP ASSY
	9	-	1	RIGHT BROOM ASSY
	10	-	1	BRAKE PEDAL ASSY
	11	-	1	ACCELERATOR PEDAL ASSY
	12	1464832000	1	DECALS SW4000 B ADVANCE KIT
	13	-	1	HYDRAULIC SYSTEM ASSY
	14	-	1	ELECTRIC SYSTEM ASSY
	15	-	1	FLASHING LIGHT ASSY
	16	-	1	LEFT BROOM ASSY
	17	-	1	SIDE BROOM GUARD ASSY
	18	-	1	DUSTGUARD SYSTEM ASSY (OPTIONAL)
	19	-	1	SAFETY BELTS ASSY (OPTIONAL)
	20	-	1	BATTERY ASSY (OPTIONAL)
	21	-	1	WORKING LIGHT ASSY (OPTIONAL)

FRAME SYSTEM

SEE STEERING
COLUMN ASSY

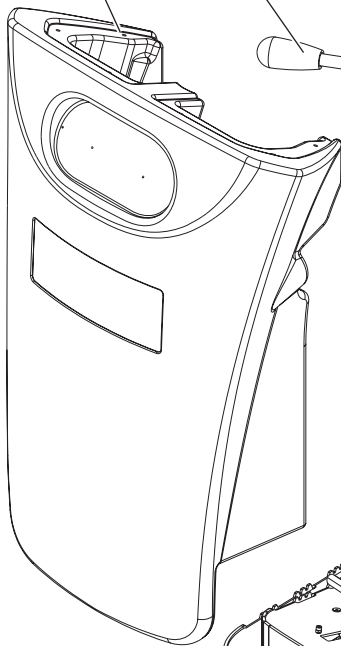


K2

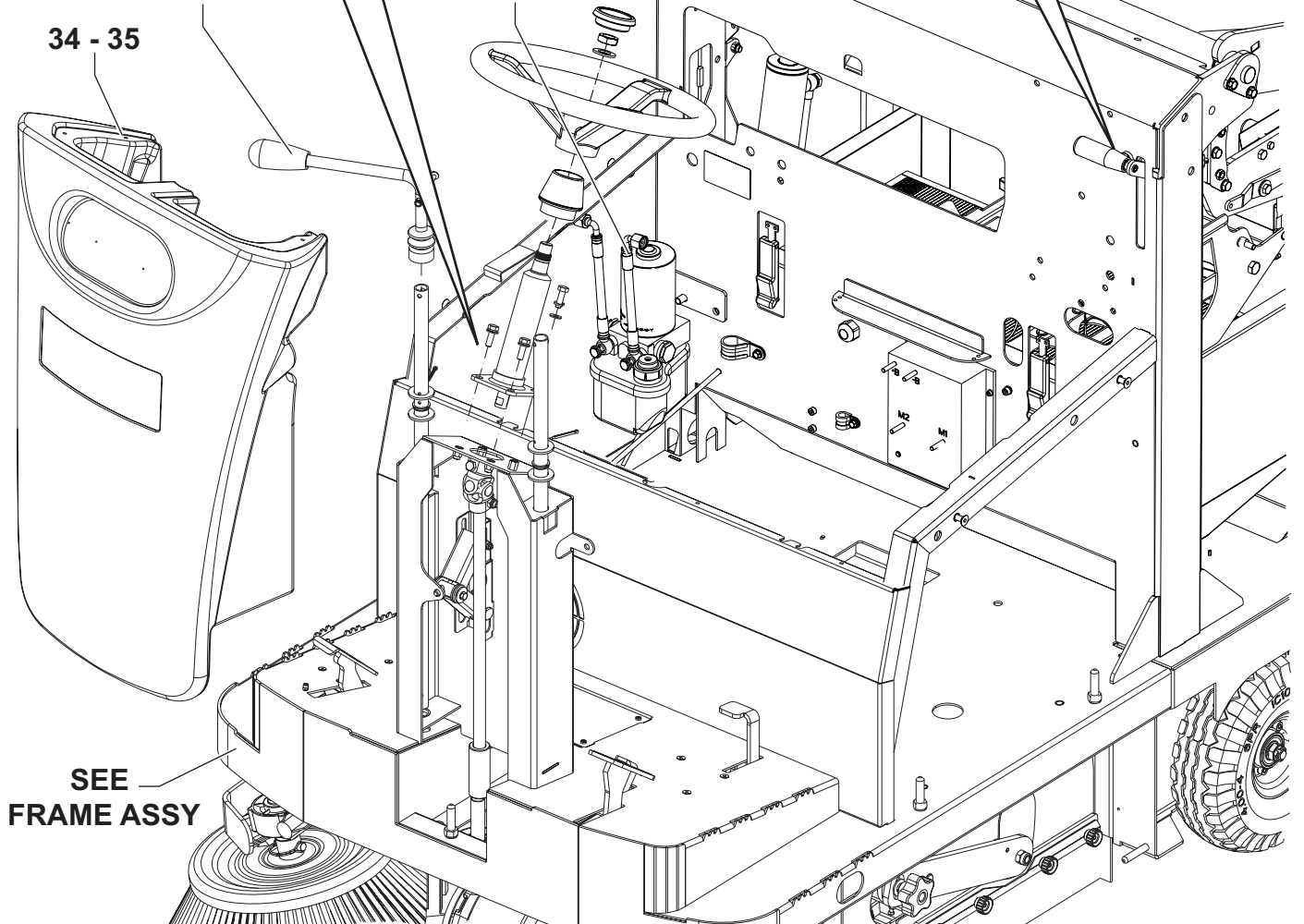


SEE LEVERS
BROOM ASSY

34 - 35



SEE HYDRAULIC
SYSTEM ASSY

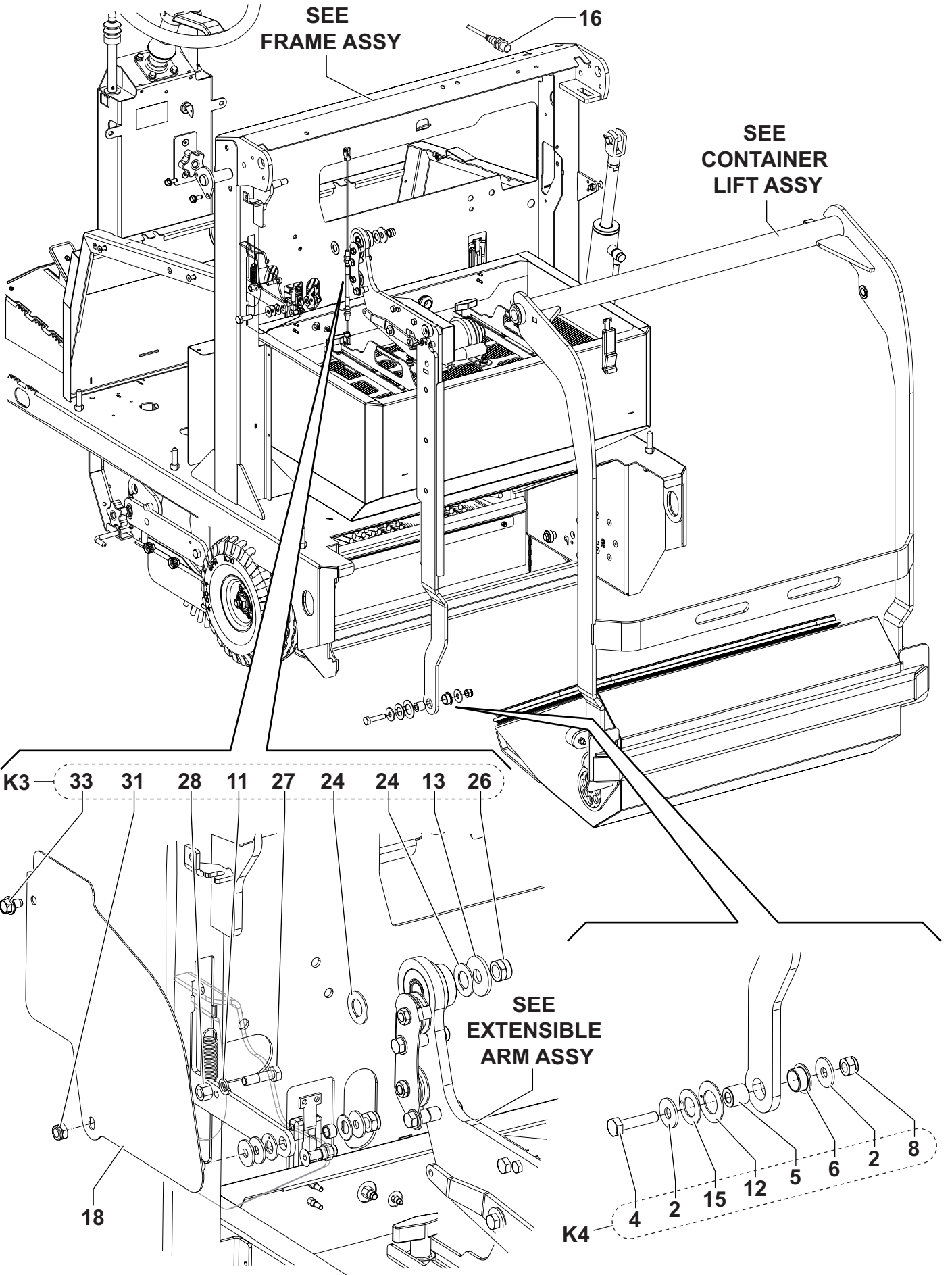


SEE
FRAME ASSY

FRAME SYSTEM

KIT	ITEM	REF. NO.	QTY	DESCRIPTION
K1	1		4	WASHER M20 UNI6592
K4	2		2	WASHER 10X30 UNI6593
K2	3		1	SCREW M10X30 HEX HD F/THD ISO4017
K4	4		1	SCREW M10X45 HEX HD F/THD ISO4017
K4	5		1	PIN HOPPER
K4	6		1	BEARING FLANGE IGLIDUR GFM-2023-11
K2	7		1	NUT HEX M10 UNI5589
K4	8		1	NUT SELF L. M10 UNI7473
K2	9		1	NUT SELF L. M10 UNI7474
K1	10		4	PIN SPLIT 3.2X32 UNI1336
K3	11		1	WASHER M8 UNI1751B
K4	12		1	WASHER THRUST GTM 2442-015
K3	13		1	WASHER 12X36X3 UNI6593
K2	14		1	PLUG ANTI VIBRATION D.8-D.20
K4	15		1	WASHER THRUST GTM 2036-015
	16	33018521	1	SWITCH BACK UP PROXIMITY
K2	17		1	ALL ROUNDED
	18	1465286000	1	COVER
K2	19		1	SPACER 8.4X12X8
K2	20		1	HANDLE REVOLVING
K1	21		3	BEARING CLIP IGLIDUR MCM-20-03
K2	22		1	LEVER FOR HOPPER RELEASE
	23	33020442	1	KEY START ASSY WITH SPAREKEY KIT
K3	24		2	WASHER THRUST GTM 1630-015
K2	25		1	BELLEVILLE WASHER 12.2X23X1.25 DIN2093
K3	26		1	NUT SELF L. M12 UNI7474
K3	27		1	SCREW M8X25 TE T/FIL ISO4017
K3	28		1	NUT HEX M8 UNI5587
K2	29	1463356000	1	SPRING TRACTION CARBON STEEL
	30	146 0073 00	1	KEY
K3	31		1	NUT SELF L. M8 UNI7474
K2	32		3	WASHER 8X24X2 FLAT ISO7093
K3	33		1	SCREW M8X12 HEX HD FLA THD FORM
	34	1464178000	1	COVER FRONT
	35	1464598000	1	TANK WATER
K1	1465031000		1	HARDWARE LEVERS BROOM KIT
K2	1464915000		1	LEVER FOR HOPPER RELEASE KIT
K3	1465034000		1	HARDWARE RELEASE MAIN LEVER KIT
K4	1465035000		1	HARDWARE FOR TELESCOPIC ARM KIT

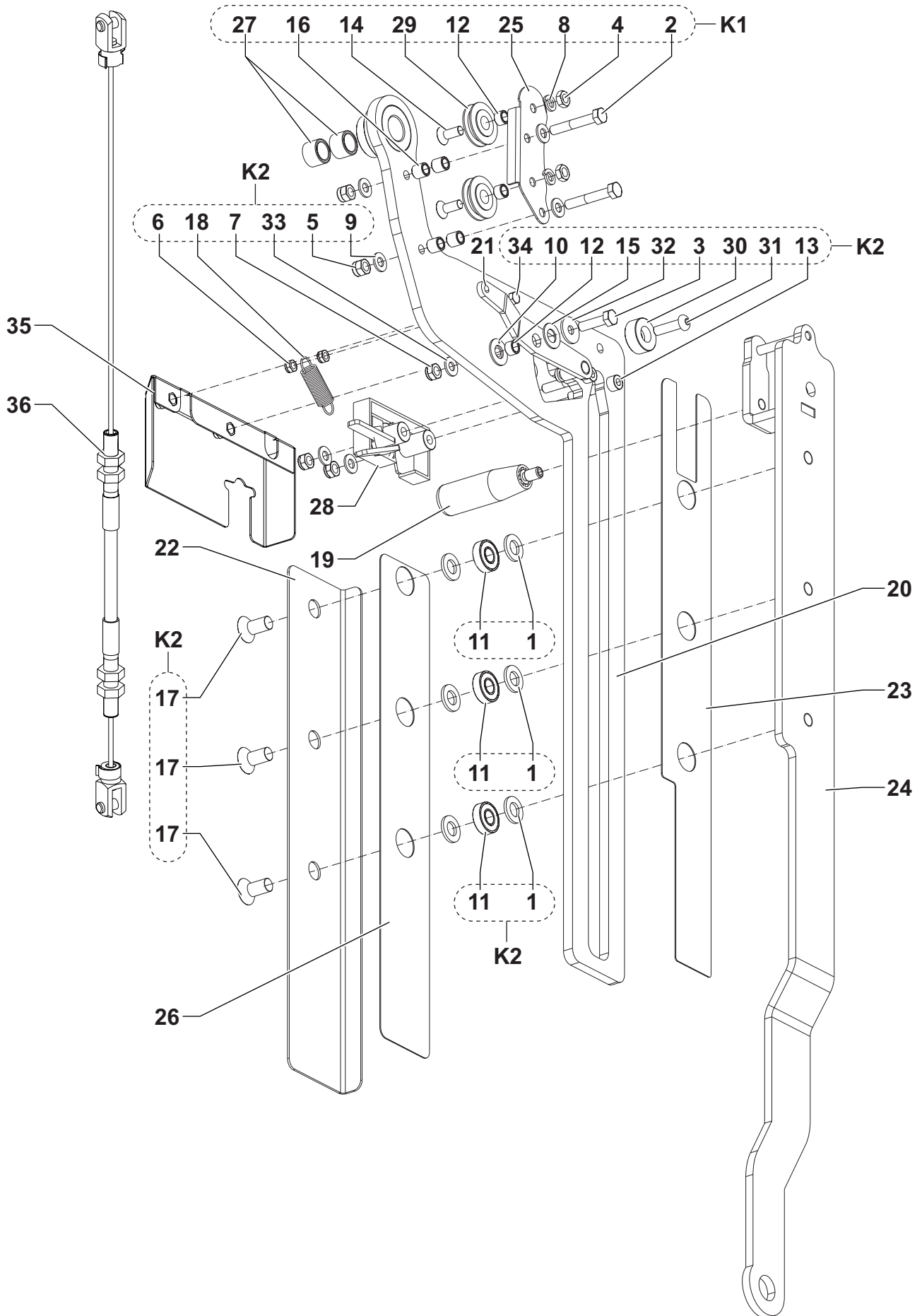
FRAME SYSTEM



FRAME SYSTEM

KIT	ITEM	REF. NO.	QTY	DESCRIPTION
K1	1		4	WASHER M20 UNI6592
K4	2		2	WASHER 10X30 UNI6593
K2	3		1	SCREW M10X30 HEX HD F/THD ISO4017
K4	4		1	SCREW M10X45 HEX HD F/THD ISO4017
K4	5		1	PIN HOPPER
K4	6		1	BEARING FLANGE IGLIDUR GFM-2023-11
K2	7		1	NUT HEX M10 UNI5589
K4	8		1	NUT SELF L. M10 UNI7473
K2	9		1	NUT SELF L. M10 UNI7474
K1	10		4	PIN SPLIT 3.2X32 UNI1336
K3	11		1	WASHER M8 UNI1751B
K4	12		1	WASHER THRUST GTM 2442-015
K3	13		1	WASHER 12X36X3 UNI6593
K2	14		1	PLUG ANTI VIBRATION D.8-D.20
K4	15		1	WASHER THRUST GTM 2036-015
	16	33018521	1	SWITCH BACK UP PROXIMITY
K2	17		1	ALL ROUNDED
	18	1465286000	1	COVER
K2	19		1	SPACER 8.4X12X8
K2	20		1	HANDLE REVOLVING
K1	21		3	BEARING CLIP IGLIDUR MCM-20-03
K2	22		1	LEVER FOR HOPPER RELEASE
	23	33020442	1	KEY START ASSY WITH SPAREKEY KIT
K3	24		2	WASHER THRUST GTM 1630-015
K2	25		1	BELLEVILLE WASHER 12.2X23X1.25 DIN2093
K3	26		1	NUT SELF L. M12 UNI7474
K3	27		1	SCREW M8X25 TE T/FIL ISO4017
K3	28		1	NUT HEX M8 UNI5587
K2	29	1463356000	1	SPRING TRACTION CARBON STEEL
	30	146 0073 00	1	KEY
K3	31		1	NUT SELF L. M8 UNI7474
K2	32		3	WASHER 8X24X2 FLAT ISO7093
K3	33		1	SCREW M8X12 HEX HD FLA THD FORM
	34	1464178000	1	COVER FRONT
	35	1464598000	1	TANK WATER
K1	1465031000		1	HARDWARE LEVERS BROOM KIT
K2	1464915000		1	LEVER FOR HOPPER RELEASE KIT
K3	1465034000		1	HARDWARE RELEASE MAIN LEVER KIT
K4	1465035000		1	HARDWARE FOR TELESCOPIC ARM KIT

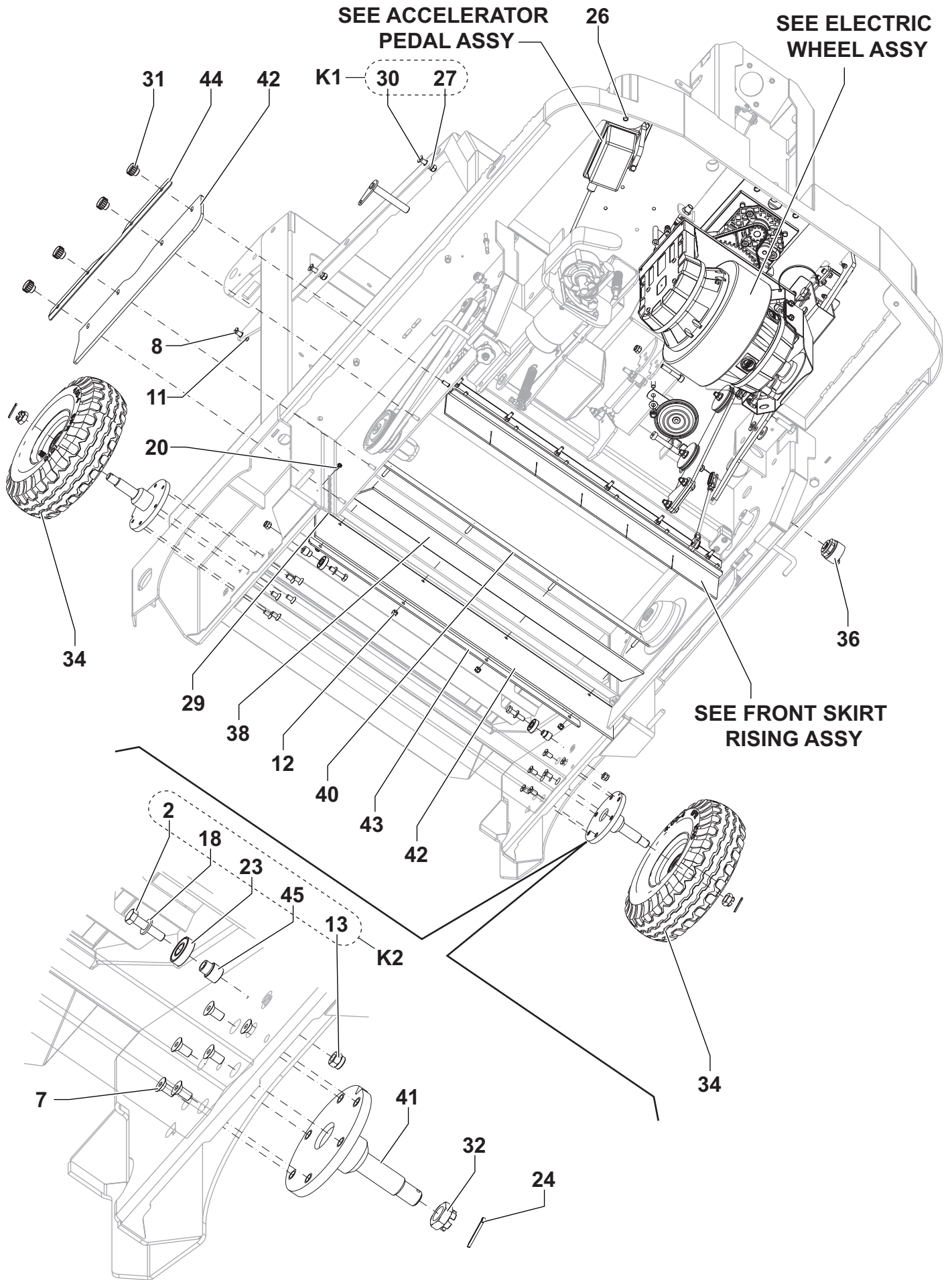
EXTENSIBLE ARM



EXTENSIBLE ARM

KIT	ITEM	REF. NO.	QTY	DESCRIPTION
K2	1		6	WASHER M12 UNI6592
K1	2		2	SCREW M8X50 HEX HD P/THD ISO4014
K2	3		1	SCREW M8X30 HEX HD F/THD ISO4017
K1	4		2	NUT HEX M8 UNI5589
K2	5		2	NUT SELF L. M8 UNI7473
K2	6		2	NUT SELF L. M6 UNI7474
K2	7		4	NUT SELF L. M8 UNI7474
K1	8		2	WASHER M8 UNI1751B
K2	9		7	WASHER M8 UNI6592
K2	10		1	ALL ROUNDED
K2	11	145 0270 000	3	BEARING BALL 6001 2RS
K1-2	12		3	SPACER 8.4X12X8
K2	13		2	SCREW M8X45 TCEI ISO4762
K1	14		2	SCREW M8X20 C/SUNK FLAT HEX ISO10642
K2	15		1	BELLEVILLE WASHER 12.2X23X1.25 DIN2093
K1	16		4	SPACER 8.2X12X11.5
K2	17		3	SCREW M12X25 C/SUNK FLAT HD HEX
K2	18	1463356000	1	SPRING TRACTION CARBON STEEL
	19	1464792000	1	HANDLE REVOLVING
	20	1465261000	1	ARM GUIDE
	21	1465262000	1	LEVER FOR LOCK RELEASE
	22	1465266000	1	PROTECTION EXTERNAL
	23	1465268000	1	PLATE PLASTIC ANTIABRASIVE
	24	1465269000	1	ARM TELESCOPIC
K1	25		1	SUPPORT FOR PULLEY
	26	1465276000	1	PLATE PLASTIC ANTIABRASIVE
K1	27	1465281000	2	BEARING SLEEVE IGLIDUR MSM-1622-15
	28	1465282000	1	LATCH SLAM
K1	29	1465288000	2	PULLEY
K2	30	1465289000	1	SPACER PLASTIC
K2	31		1	SCREW M8X30 BUTTON HD HEX SOCK
K2	32		1	WASHER 8X24X2 FLAT ISO7093
K2	33		1	WASHER M8 UNI6592 SS
K2	34		1	SCREW M6X30 HEX HD F/THD SS ISO4017
	35	1465388000	1	PROTECTION FOR LATCH KIT
	36	1465273000	1	CABLE LOCK RELEASE
K1	1465032000		1	LEVER CONTAINER RELEASE FIXING KIT
K2	1465033000		1	LEVER PIVOT FIXING KIT

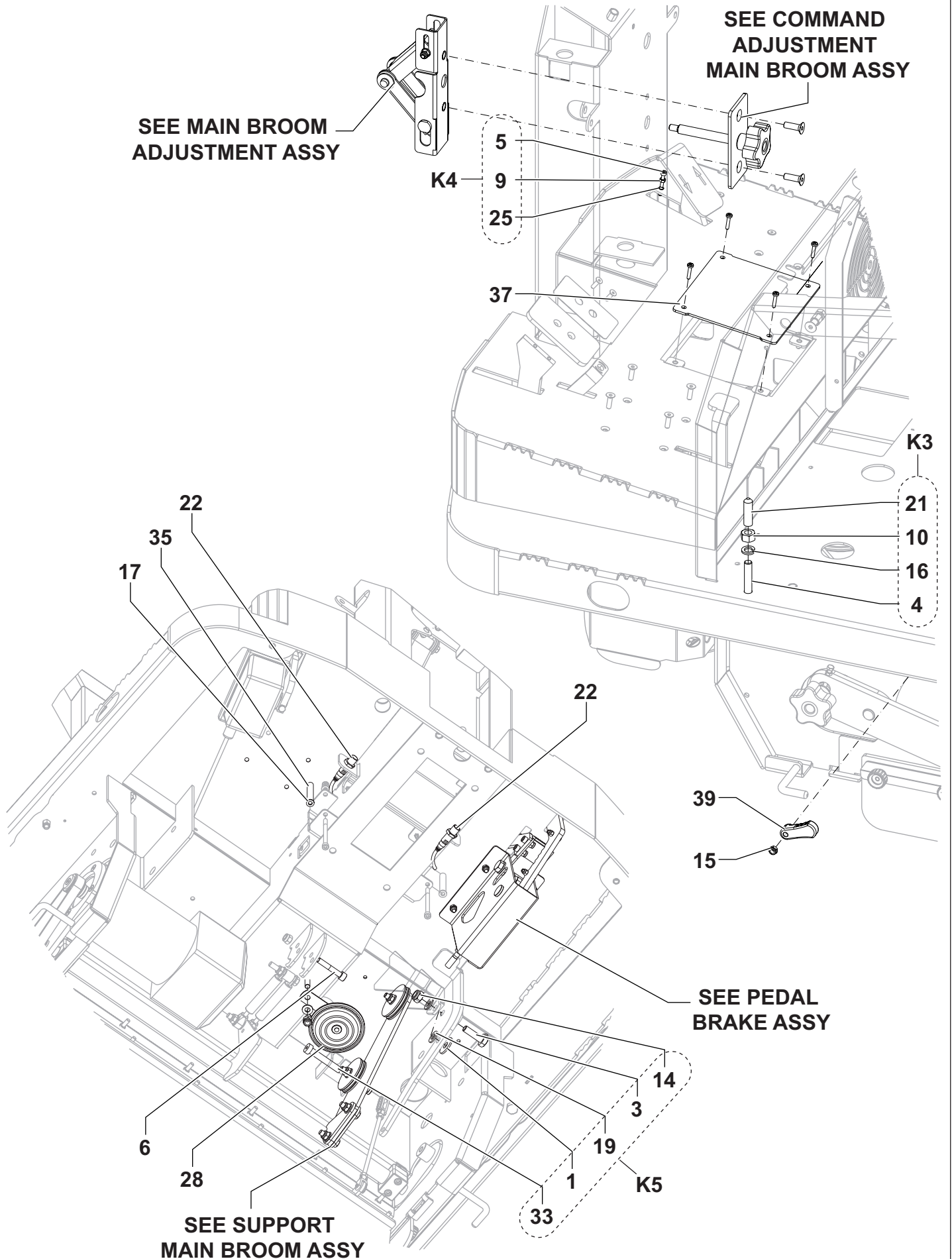
FRAME



FRAME

KIT	ITEM	REF. NO.	QTY	DESCRIPTION
K5	1		1	WASHER 10X30 UNI6593
K2	2		2	SCREW M8X35 HEX HD F/THD ISO4017
K5	3		1	SCREW M10X35 HEX HD F/THD ISO4017
K3	4		7	SCREW M10X50 HEX HD F/THD ISO4017
K4	5		1	SCREW M4X20 CAP HD HEX SOCK ISO4762
	6	33004370	1	SCREW M8X45 CAP HD HEX SOCK ISO4762
	7	33004590	12	SCREW M8X16 C/SUNK FLAT HD HEX ISO10642
	8	33004593	2	SCREW M8X25 C/SUNK FLAT HD HEX ISO10642
K4	9		1	NUT HEX M4 UNI5587
K3	10		7	NUT HEX M10 UNI5587
K1	11		6	NUT HEX M8 UNI5588
	12	33005562	6	NUT SELF L. M6 UNI7473
K2	13		5	NUT SELF L. M8 UNI7473
K5	14		1	NUT SELF L. M10 UNI7473
	15	33005604	2	NUT SELF L. M6 UNI7474
K3	16		7	WASHER M10 UNI1751B
	17	33005913	4	WASHER M6 UNI6592
K2	18		6	WASHER M8 UNI6592
K5	19		2	WASHER M10 UNI6592
K1	20		1	SCREW M4X12 HEX HD FLA THD FORM
K3	21		7	CAP VINYL
	22	33018521	2	SWITCH BACK UP PROXIMITY
K2	23		2	BEARING BALL 6001 2RS
	24	33005791	2	PIN SPLIT 4X45 UNI1336
K4	25		18	INSERT M4
	26	145 4772 000	12	INSERT M6
K1	27		16	INSERT M8
	28	145 8881 000	1	HORN 24V
	29	146 0611 000	1	CHAIN GROUND KIT
K1	30		4	SCREW M8X40 C/SUNK FLAT HD HEX ISO10642
	31	146 2471 000	4	KNOB KNURLED M6 FEMALE
	32	1464841000	3	NUT HEX M16 LOW UNI5594
K1	33		1	SCREW SHOULDER 10X60 M8 ISO7379
	34	146 1876 000	2	WHEEL SOLID 4.00-4 BLACK
	34*	146 0329 000	2	WHEEL NON MARKING
	34*	1465313000	1	WHEELS REAR SOLID NON MARKING KIT
	35	1464847000	2	SPACER 6.2x14x60
	36	909 6126 000	1	BUZZER 5-32V
	37	1464469000	1	COVER
	38	1464275000	1	SKIRT REAR RECYCLE
	39	1463931000	2	LEVER BROOM DOOR FIXING
	40	1464276000	1	PLATE REAR SKIRT FIXING
	41	1464171000	3	SUPPORT REAR WHEEL
	42	1465396000	1	SKIRTS KIT
	42*	1464951000	1	SKIRT NON MARKING KIT
	43	1464277000	1	PLATE REAR SKIRT
	44	1464278000	1	PLATE SIDE KIRT FIXING
K2	45		2	PIN BEARING HOPPER
K1	1465036000		1	HARDWARE FOR SIDE COVER KIT
K2	1465037000		1	PIN HOPPER BEARING KIT
K3	1465038000		1	HARDWARE FOR PIVOT LATERAL COVER KIT
K4	1465039000		1	HARDWARE FOR ACCELERATOR ADJ KIT
K5	1465040000		1	HARDWARE FRONT FLAP KIT

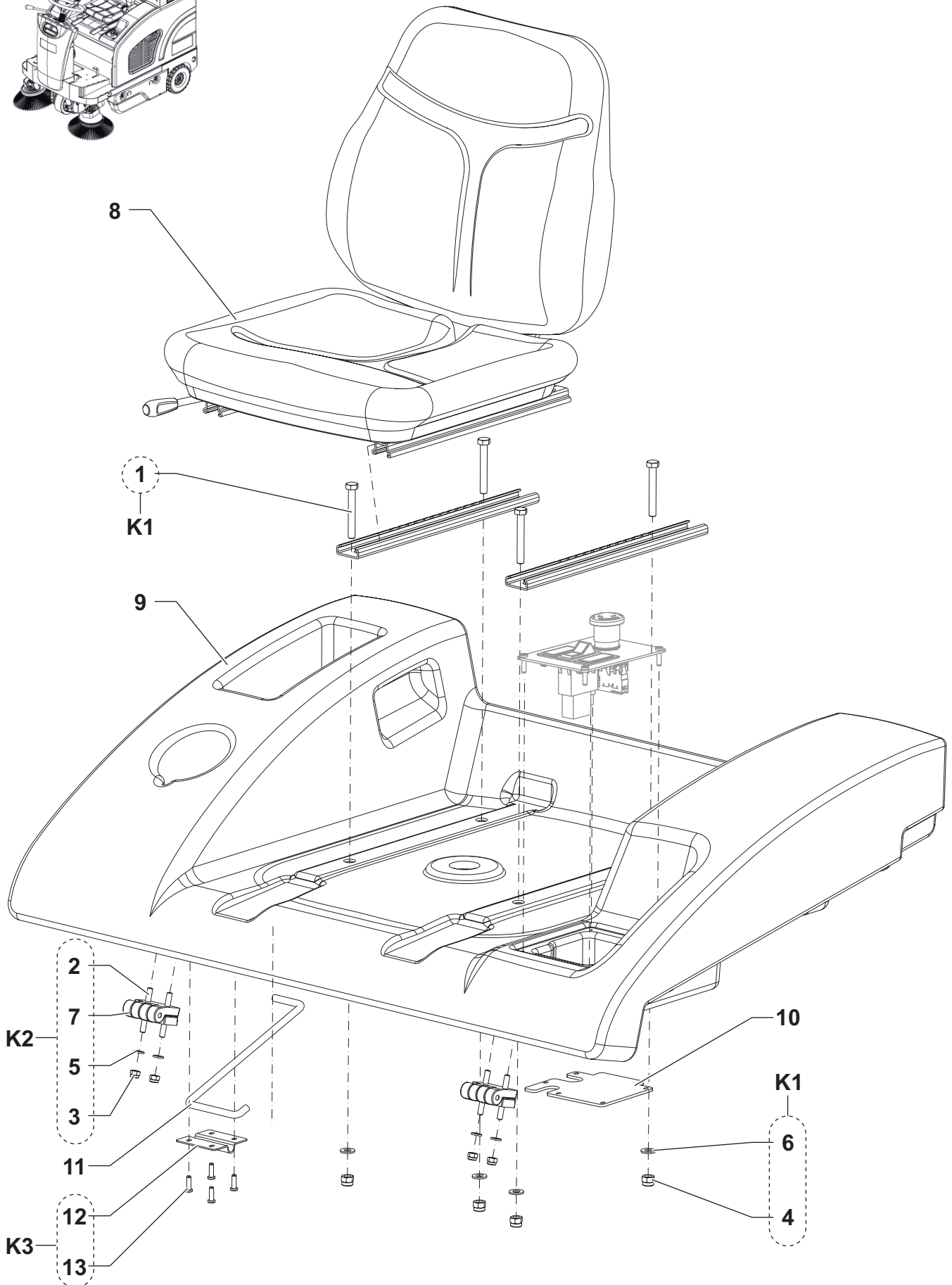
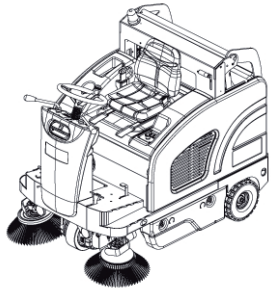
FRAME



FRAME

KIT	ITEM	REF. NO.	QTY	DESCRIPTION
K5	1		1	WASHER 10X30 UNI6593
K2	2		2	SCREW M8X35 HEX HD F/THD ISO4017
K5	3		1	SCREW M10X35 HEX HD F/THD ISO4017
K3	4		7	SCREW M10X50 HEX HD F/THD ISO4017
K4	5		1	SCREW M4X20 CAP HD HEX SOCK ISO4762
	6	33004370	1	SCREW M8X45 CAP HD HEX SOCK ISO4762
	7	33004590	12	SCREW M8X16 C/SUNK FLAT HD HEX ISO10642
	8	33004593	2	SCREW M8X25 C/SUNK FLAT HD HEX ISO10642
K4	9		1	NUT HEX M4 UNI5587
K3	10		7	NUT HEX M10 UNI5587
K1	11		6	NUT HEX M8 UNI5588
	12	33005562	6	NUT SELF L. M6 UNI7473
K2	13		5	NUT SELF L. M8 UNI7473
K5	14		1	NUT SELF L. M10 UNI7473
	15	33005604	2	NUT SELF L. M6 UNI7474
K3	16		7	WASHER M10 UNI1751B
	17	33005913	4	WASHER M6 UNI6592
K2	18		6	WASHER M8 UNI6592
K5	19		2	WASHER M10 UNI6592
K1	20		1	SCREW M4X12 HEX HD FLA THD FORM
K3	21		7	CAP VINYL
	22	33018521	2	SWITCH BACK UP PROXIMITY
K2	23		2	BEARING BALL 6001 2RS
	24	33005791	2	PIN SPLIT 4X45 UNI1336
K4	25		18	INSERT M4
	26	145 4772 000	12	INSERT M6
K1	27		16	INSERT M8
	28	145 8881 000	1	HORN 24V
	29	146 0611 000	1	CHAIN GROUND KIT
K1	30		4	SCREW M8X40 C/SUNK FLAT HD HEX ISO10642
	31	146 2471 000	4	KNOB KNURLED M6 FEMALE
	32	1464841000	3	NUT HEX M16 LOW UNI5594
K1	33		1	SCREW SHOULDER 10X60 M8 ISO7379
	34	146 1876 000	2	WHEEL SOLID 4.00-4 BLACK
	34*	146 0329 000	2	WHEEL NON MARKING
	34*	1465313000	1	WHEELS REAR SOLID NON MARKING KIT
	35	1464847000	2	SPACER 6.2x14x60
	36	909 6126 000	1	BUZZER 5-32V
	37	1464469000	1	COVER
	38	1464275000	1	SKIRT REAR RECYCLE
	39	1463931000	2	LEVER BROOM DOOR FIXING
	40	1464276000	1	PLATE REAR SKIRT FIXING
	41	1464171000	3	SUPPORT REAR WHEEL
	42	1465396000	1	SKIRTS KIT
	42*	1464951000	1	SKIRT NON MARKING KIT
	43	1464277000	1	PLATE REAR SKIRT
	44	1464278000	1	PLATE SIDE KIRT FIXING
K2	45		2	PIN BEARING HOPPER
K1	1465036000		1	HARDWARE FOR SIDE COVER KIT
K2	1465037000		1	PIN HOPPER BEARING KIT
K3	1465038000		1	HARDWARE FOR PIVOT LATERAL COVER KIT
K4	1465039000		1	HARDWARE FOR ACCELERATOR ADJ KIT
K5	1465040000		1	HARDWARE FRONT FLAP KIT

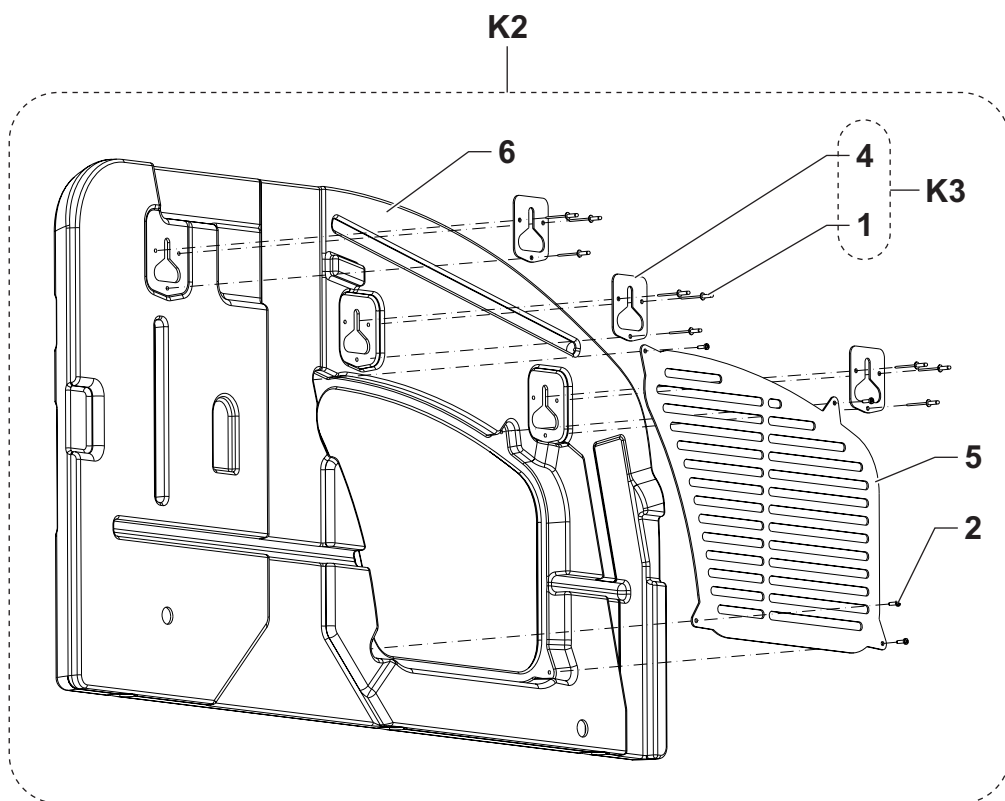
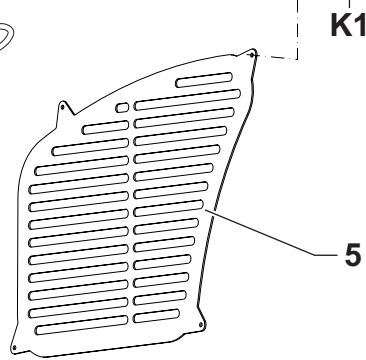
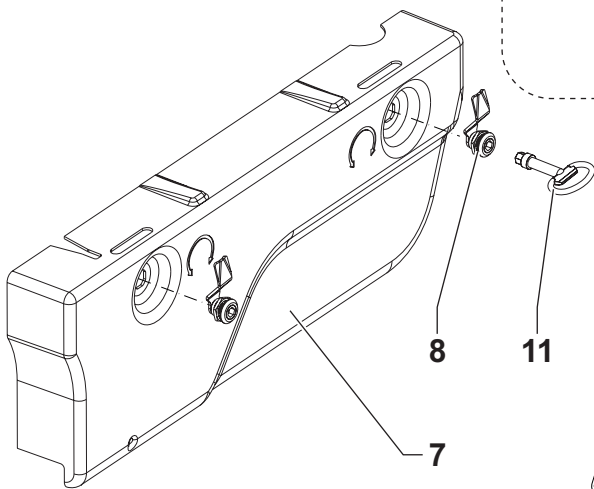
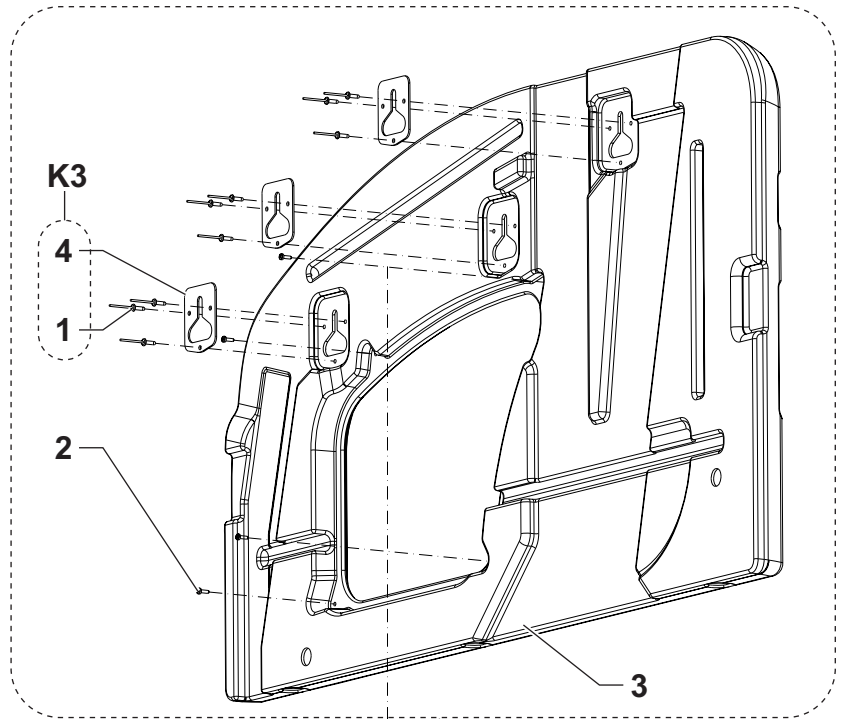
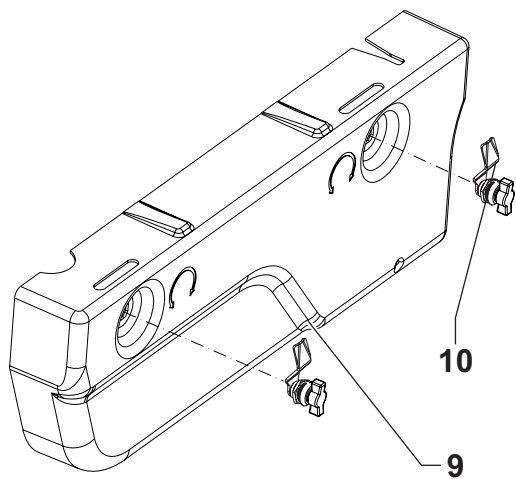
SEAT COVER



SEAT COVER

KIT	ITEM	REF. NO.	QTY	DESCRIPTION
K1	1		4	SCREW M8X60 HEX HD F/THD ISO4017
K2	2		8	SCREW M6X20 CAP HD HEX SOCK ISO4762
K2	3		4	NUT SELF L. M6 UNI7473
K1	4		4	NUT SELF L. M8 UNI7473
K2	5		4	WASHER M6 UNI6592
K1	6		4	WASHER M8 UNI6592
K2	7		2	HINGE
	8	145 5975 000	1	SEAT
	9	1463908000	1	SUPPORT SEAT
	10	1464975000	1	COVER HARNESS
	11	1464286000	1	BAR SAFETY F SEAT BONNET
K3	12		1	SUPPORT F SAFETY BAR
K3	13		4	SCREW 5X16 PAN PHIL W/O BIT F PLASTIC
	K1	1465043000	1	HARDWARE FOR SEAT KIT
	K2	1465041000	1	HINGE FOR BONNET KIT
	K3	1465042000	1	SUPPORT F SAFETY BAR KIT

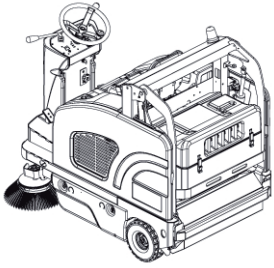
LATERAL COVERS



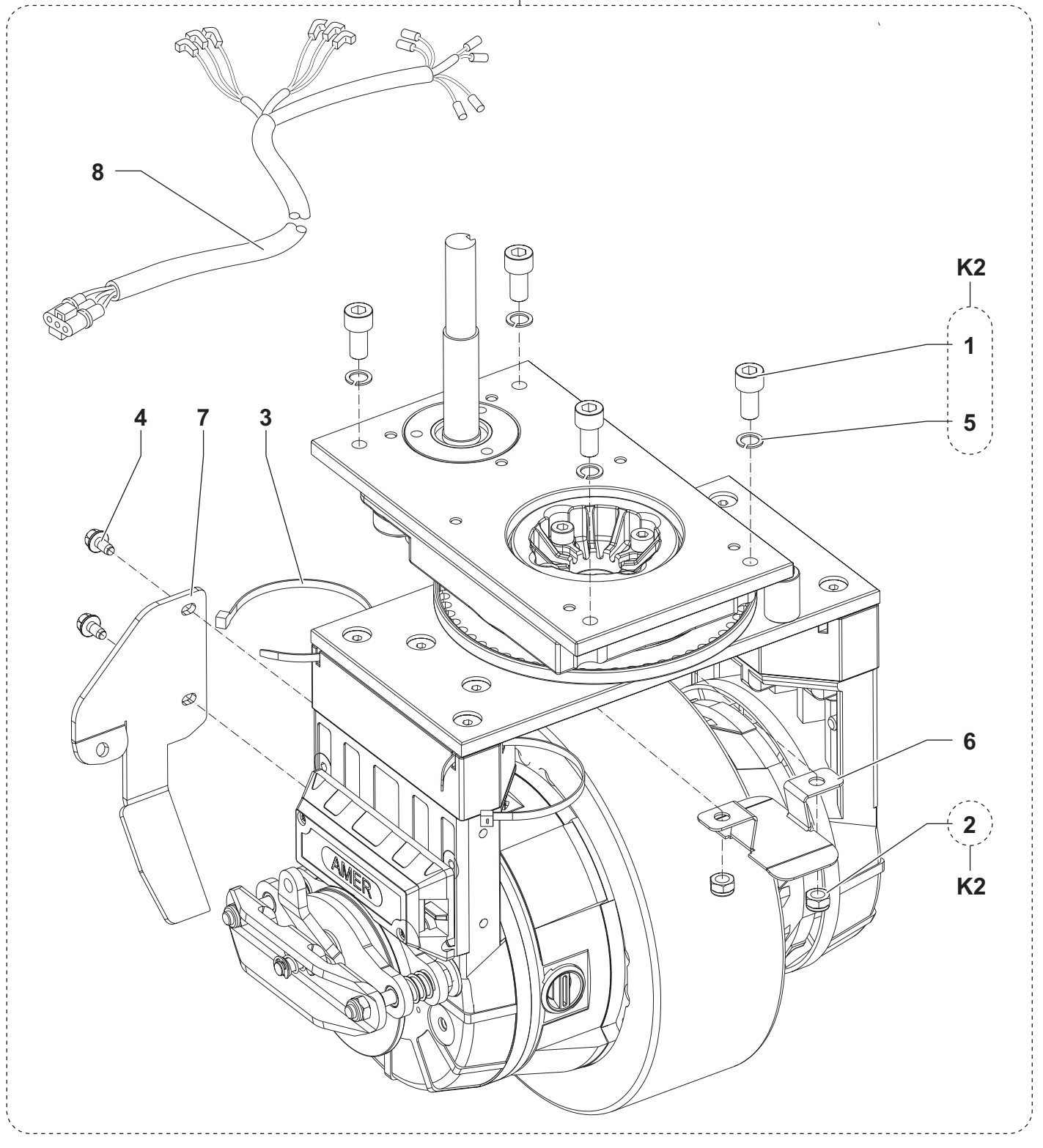
LATERAL COVERS

KIT	ITEM	REF. NO.	QTY	DESCRIPTION
K3	1		18	RIVET D4
K1-2	2		8	SCREW 3.5X12 PAN PHIL W/O BIT F PLASTIC
K1	3		1	COVER RIGHT SIDE
K3	4		6	PLATE
K2	5	1464354000	2	GRID VENTING
K2	6		1	COVER LEFT SIDE
	7	1464191000	1	HATCH RIGHT SIDE
	8	1464794000	2	LOCK WITH KEY FOR HATCH
	9	1464192000	1	HATCH LEFT SIDE
	10	1463889000	4	LOCK
	11	1465251000	1	KEY HEX 10MM MALE
K1		1464925000	1	COVER RIGHT KIT
K2		1464923000	1	COVER LEFT KIT
K3		1465044000	1	PLATE FOR PANEL FIXING KIT

ELECTRIC WHEEL



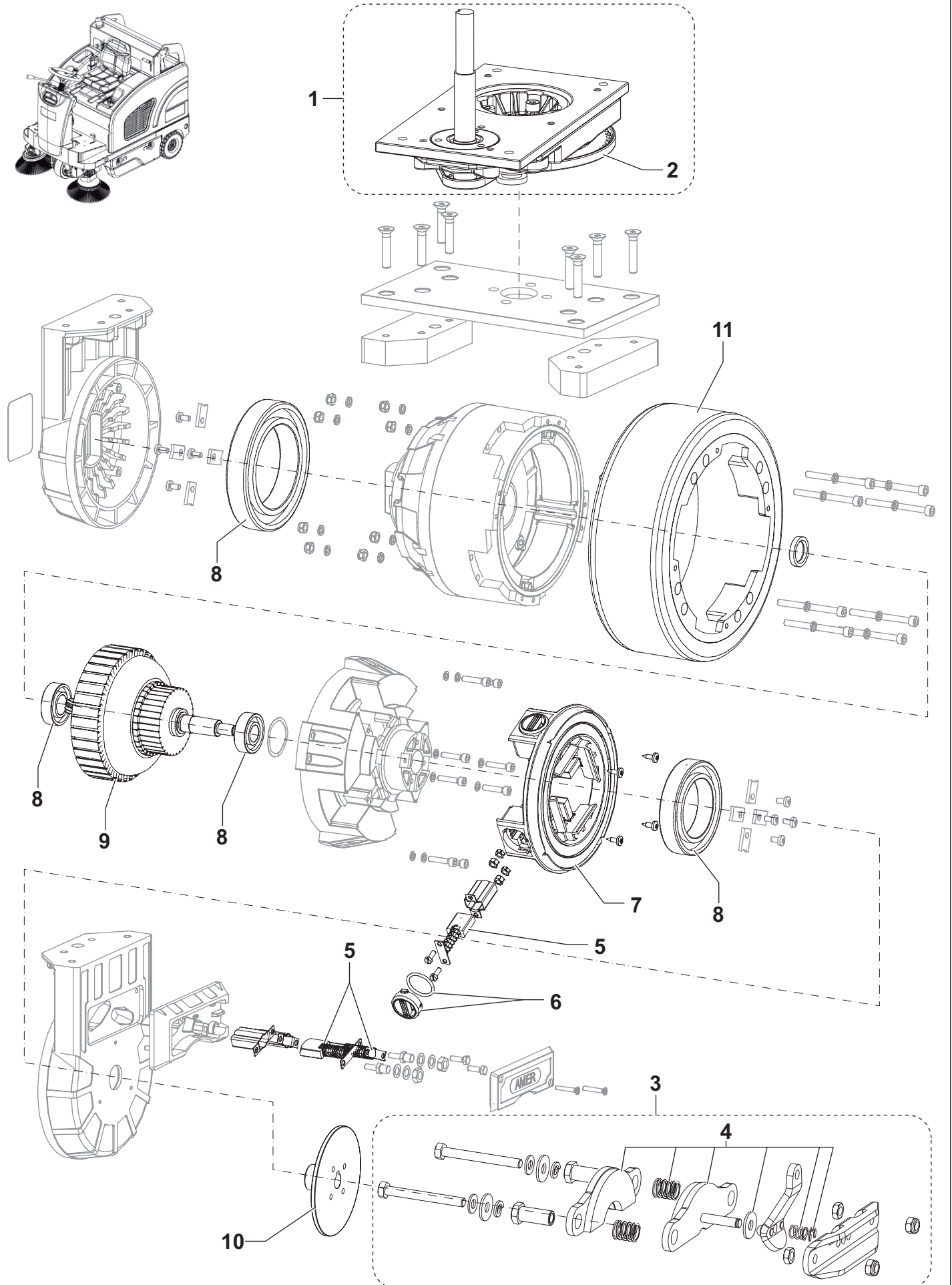
K1



ELECTRIC WHEEL

KIT	ITEM	REF. NO.	QTY	DESCRIPTION
K2	1		4	SCREW M10X20 CAP HD HEX SOCK ISO4762
K2	2		2	NUT SELF L. M8 UNI7474
K1	3		6	SCREW M6X12 HEX HD FLA THD FORM
K1	4		2	TIE CABLE 4.8x200 BLACK
K2	5		4	WASHER M10 UNI1751B
K1	6	1464600000	1	CASING TRACTION WHEEL HARNESS PROT
K1	7	1465342000	1	BRACKET BRAKE CABLE
K1	8	1464407000	1	HARNESS TRACTION WHEEL
	K1	1464913000	1	MOTORWHEEL KIT
	K1*	1465170000	1	WHEEL TRACTION NON MARKING KIT
K1	K2	1465045000	1	HARDWARE STEERING SYSTEM FIXING KIT

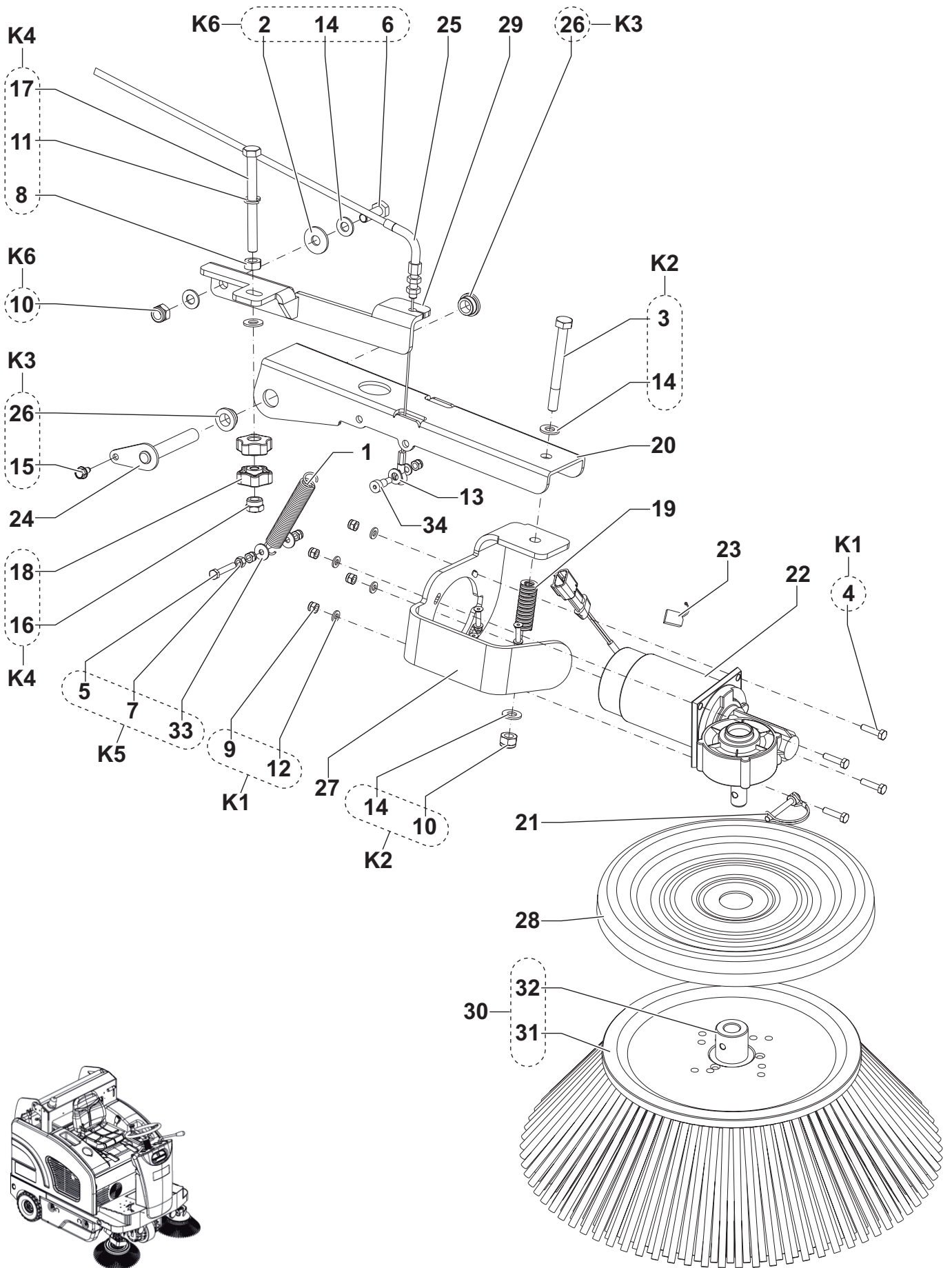
MOTOR WHEEL



MOTOR WHEEL

KIT	ITEM	REF. NO.	QTY	DESCRIPTION
	1	1464834000	1	STEERING SYSTEM
	2	1465133000	1	CHAIN FOR STEERING
	3	1464804000	1	CALIPER BRAKE COMPLETE KIT
	4	1464805000	1	PADS BRAKE KIT
	5	9096960000	1	CARBON BRUSHES KIT 4+2 PCS
	6	9096969000	4	CAP WITH GASKET
	7	9096968000	1	RING CARBON BRUSHES HOLDER
	8	9096959000	1	BEARING BALL KIT
	9	1465182000	1	ARMATURE
	10	1464803000	1	DISC BRAKE
	11	1465314000	1	RING FOR MOTORWHEEL KIT
	11*	1464955000	1	TYRE DRIVE FRONT NON MARKING
		1465241000	1	INSTR. INSTAL. KIT 1464955000-1465314000

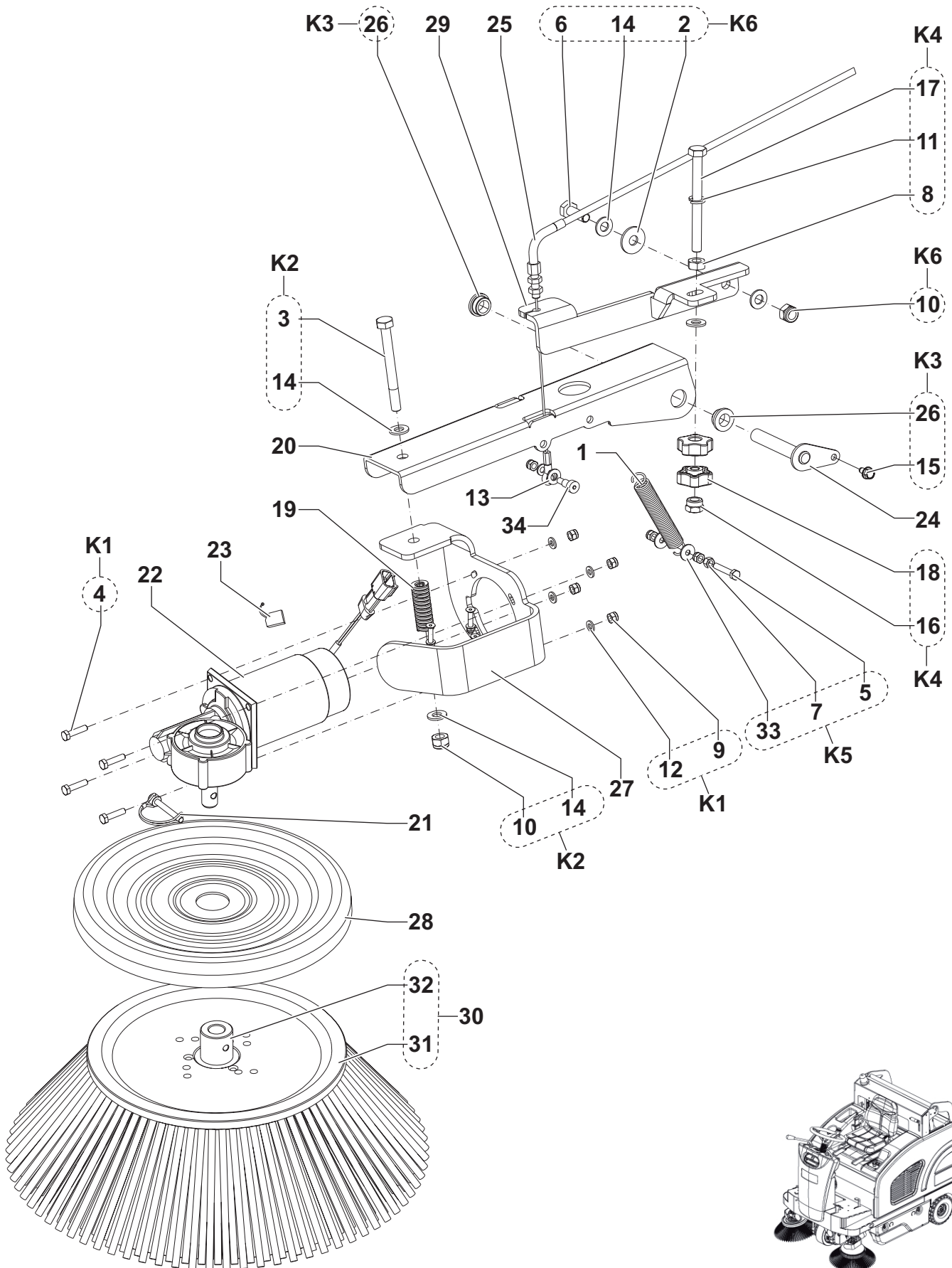
RIGHT BROOM



RIGHT BROOM

KIT	ITEM	REF. NO.	QTY	DESCRIPTION
	1	146 0986 000	1	SPRING
K6	2		1	WASHER 10X30 UNI6593
K2	3		1	SCREW M10X100 HEX HD P/THD ISO4014
K1	4		4	SCREW M6X25 HEX HD F/THD ISO4017
K5	5		1	SCREW M6X35 HEX HD F/THD ISO4017
K6	6		1	SCREW M10X30 HEX HD F/THD ISO4017
K5	7		1	NUT HEX M6 UNI5587
K4	8		1	NUT HEX M10 UNI5588
K1	9		7	NUT SELF L. M6 UNI7473
K2-6	10		2	NUT SELF L. M10 UNI7473
K4	11		1	WASHER M10 UNI1751B
K1	12		5	WASHER M6 UNI6592
	13#	33023208	1	WASHER M8 UNI6592 10 PCS SET
K2-4-6	14		5	WASHER M10 UNI6592
K3	15		1	SCREW M6X12 HEX HD FLA THD FORM
K4	16		1	NUT M10X1.5 UNI7473
K4	17		1	SCREW M10X110 HEX HD F/THD ISO4017
K4	18		2	KNOB LOBES M10 FEMALE
	19	146 1317 000	1	SPRING
	20	1463903000	1	LEVER SIDE BROOM LIFTING
	21	1463960000	1	CLIP WITH PIN
	22	1464241000	1	GEARMOTOR FOR RIGHT SIDE BROOM
	23	145 5125 000	2	CARBON BRUSH
	24	1464412000	1	PIN FOR SIDE BROOM ARM
	25	1464414000	1	CABLE RIGHT SIDE BROOM
K3	26		2	BEARING FLANGE IGLIDUR MFM-1420-10
	27	1464464000	1	BRACKET FOR RIGHT SIDE BROOM
	28	1464499000	1	COVER SIDE BROOM
	29	1464507000	1	BRACKET RIGHT SIDE BROOM ADJUSTMENT
	30	1465320000	1	BROOM SIDE 280X450 PPL 1.0
	30*	1465318000	1	BROOM SIDE 280X450 MIX STEEL
	30*	1465319000	1	BROOM SIDE 280X450 MIX 5
	31		1	SIDE BROOM
	32	1464843000	1	HUB FOR SIDE BROOM
K5	33		2	WASHER PLAIN 6X18 ISO7093
	34	1464243000	1	SCREW SHOULDER 8X12 M6 ISO7379
K1	1465046000		1	HARDWARE GEARMOTOR KIT
K2	1465047000		1	HARDWARE GEARMOTOR SUPPORT KIT
K3	1465048000		1	PIN FOR SIDE BROOM SUPPORT KIT
K4	1465049000		1	KNOB SIDE BROOM KIT
K5	1465050000		1	HARDWARE SIDE BROOM SPRING SUP KIT
K6	1465051000		1	HARDWARE SIDE BROOM ADJ. BRACKET KIT

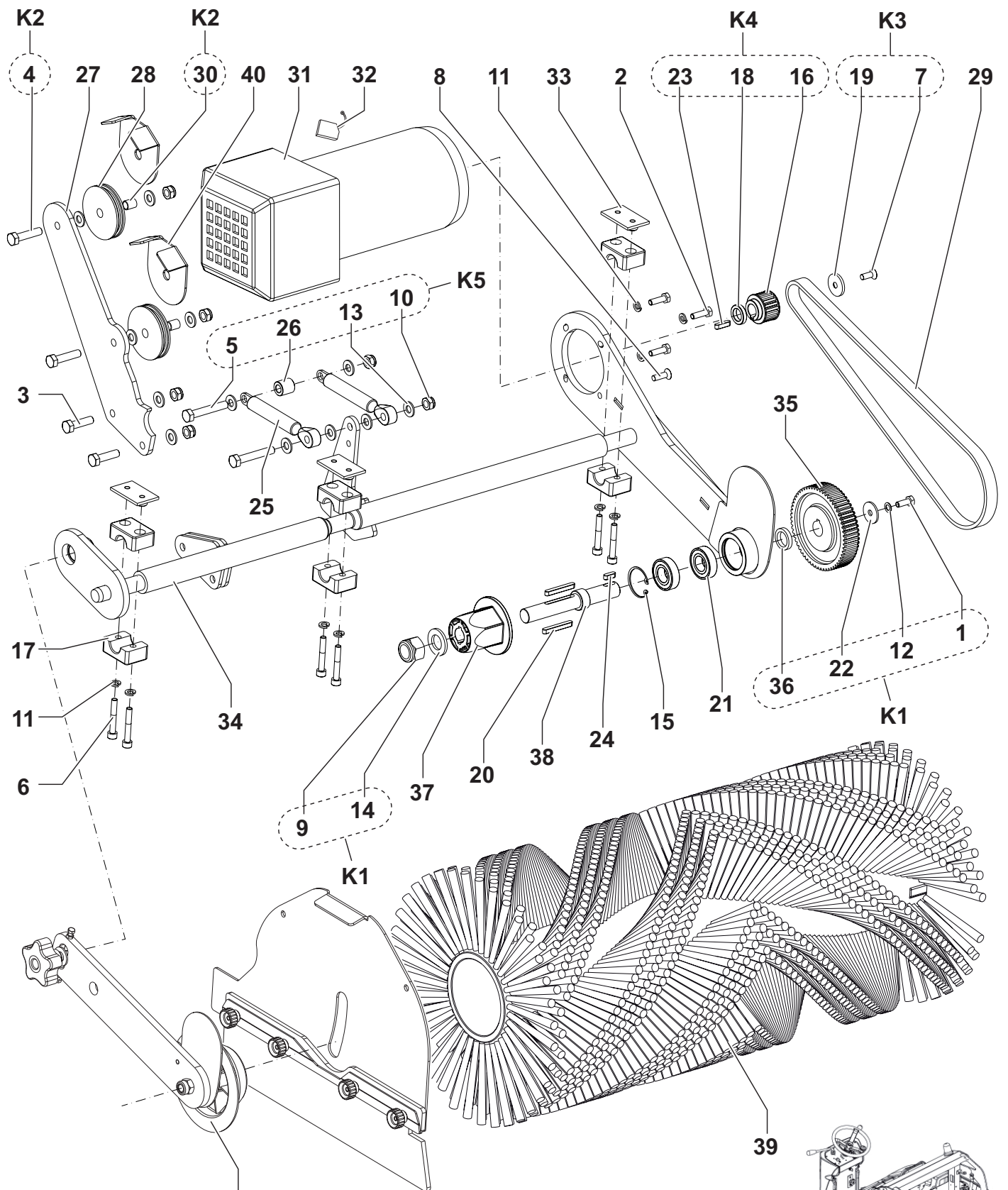
LEFT BROOM



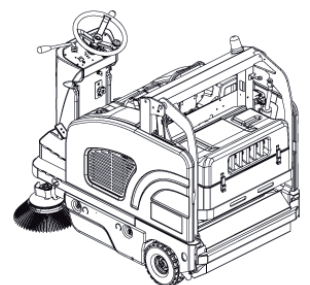
LEFT BROOM

KIT	ITEM	REF. NO.	QTY	DESCRIPTION
	1	146 0986 000	1	SPRING
K6	2		1	WASHER 10X30 UNI6593
K2	3		1	SCREW M10X100 HEX HD P/THD ISO4014
K1	4		4	SCREW M6X25 HEX HD F/THD ISO4017
K5	5		1	SCREW M6X35 HEX HD F/THD ISO4017
K6	6		1	SCREW M10X30 HEX HD F/THD ISO4017
K5	7		1	NUT HEX M6 UNI5587
K4	8		1	NUT HEX M10 UNI5588
K1	9		7	NUT SELF L. M6 UNI7473
K2-6	10		2	NUT SELF L. M10 UNI7473
K4	11		1	WASHER M10 UNI1751B
K1	12		5	WASHER M6 UNI6592
	13#	33023208	1	WASHER M8 UNI6592 10 PCS SET
K2-4-6	14		5	WASHER M10 UNI6592
K3	15		1	SCREW M6X12 HEX HD FLA THD FORM
K4	16		1	NUT M10X1.5 UNI7473
K4	17		1	SCREW M10X110 HEX HD F/THD ISO4017
K4	18		2	KNOB LOBES M10 FEMALE
	19	146 1317 000	1	SPRING
	20	1463903000	1	LEVER SIDE BROOM LIFTING
	21	1463960000	1	CLIP WITH PIN
	22	1464242000	1	GEARMOTOR LEFT SIDE BROOM
	23	145 5125 000	2	CARBON BRUSH
	24	1464412000	1	PIN FOR SIDE BROOM ARM
	25	1464415000	1	CABLE LEFT SIDE BROOM
K3	26		2	BEARING FLANGE IGLIDUR MFM-1420-10
	27	1464500000	1	BRACKET FOR LEFT SIDE BROOM
	28	1464499000	1	COVER SIDE BROOM
	29	1464427000	1	BRACKET LEFT SIDE BROOM ADJUSTMENT
	30	1465320000	1	BROOM SIDE 280X450 PPL 1.0
	30*	1465318000	1	BROOM SIDE 280X450 MIX STEEL
	30*	1465319000	1	BROOM SIDE 280X450 MIX 5
	31		1	SIDE BROOM
	32	1464843000	1	HUB FOR SIDE BROOM
K5	33		2	WASHER PLAIN 6X18 ISO7093
	34	1464243000	1	SCREW SHOULDER 8X12 M6 ISO7379
K1	1464336000		1	CIRCUIT BREAKER 15A
K2	1465047000		1	HARDWARE GEARMOTOR SUPPORT KIT
K3	1465048000		1	PIN FOR SIDE BROOM SUPPORT KIT
K4	1465049000		1	KNOB SIDE BROOM KIT
K5	1465050000		1	HARDWARE SIDE BROOM SPRING SUP KIT
K6	1465051000		1	HARDWARE SIDE BROOM ADJ. BRACKET KIT

MAIN BROOM



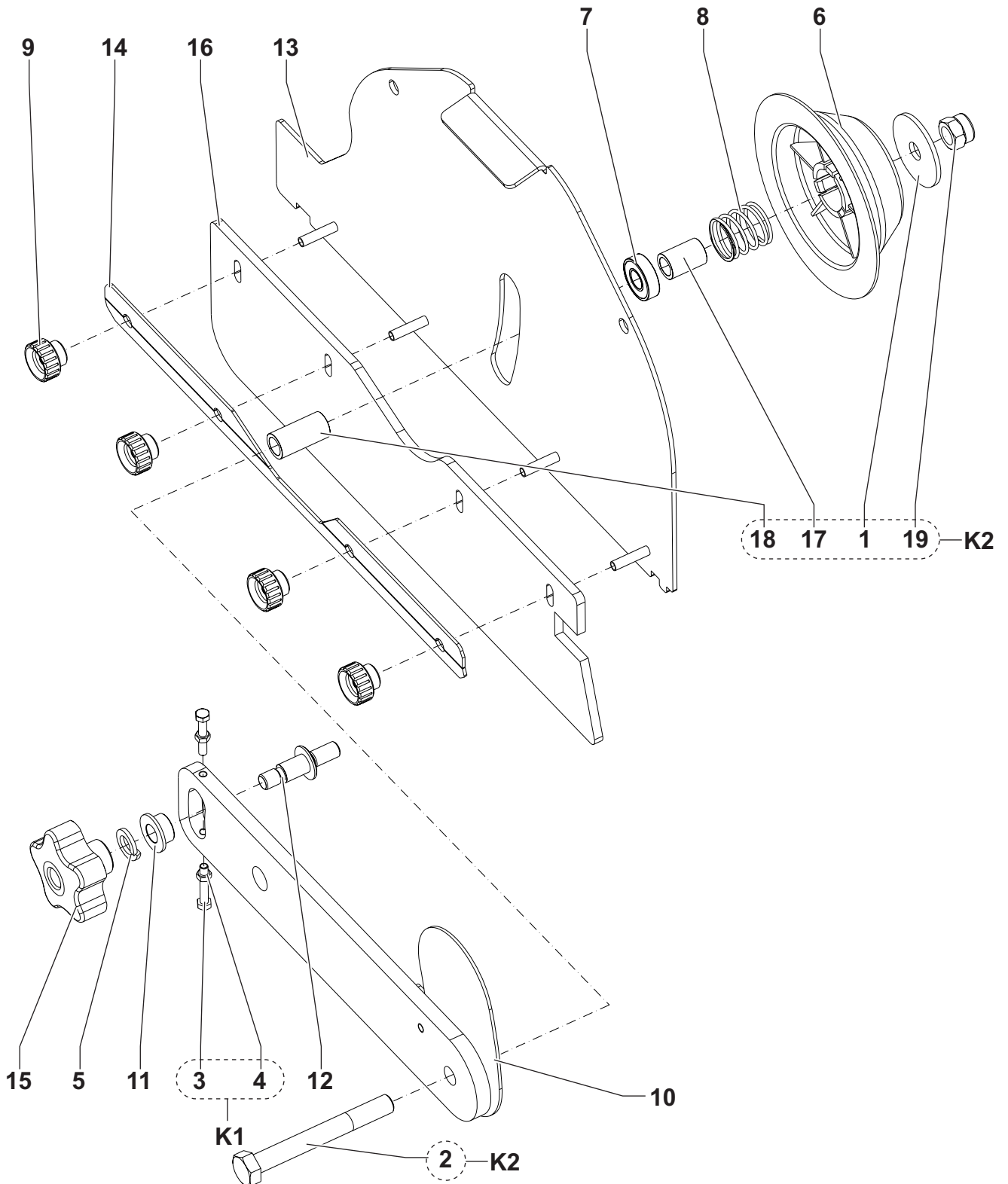
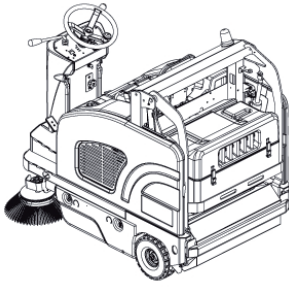
SEE BROOM CLOSING



MAIN BROOM

KIT	ITEM	REF. NO.	QTY	DESCRIPTION
K1	1		1	SCREW M6X16 HEX HD F/THD ISO4017
	2	33003975	3	SCREW M6X20 HEX HD F/THD ISO4017
	3	33003996	2	SCREW M8X30 HEX HD F/THD ISO4017
K2	4		2	SCREW M8X35 HEX HD F/THD ISO4017
K5	5		2	SCREW M8X50 HEX HD F/THD ISO4017
	6	33004350	6	SCREW M6X40 CAP HD HEX SOCK ISO4762
K3	7		1	SCREW M6X16 C/SUNK FLAT HD HEX ISO10642
	8	33004578	1	SCREW M6X20 C/SUNK FLAT HD HEX ISO10642
K1	9		1	NUT M16X1.5 UNI7473
K2-5	10		6	NUT SELF L. M8 UNI7474
	11	33005851	9	WASHER M6 UNI1751B
K1	12		1	WASHER M6 UNI8842A
K2-5	13		12	WASHER M8 UNI6592
K1	14		1	WASHER 17X30X3 FLAT ISO 7089
	15	33006165	1	RING D 35 UNI7437
K4	16		1	PULLEY HTD 20 5M 15 6F
	17	145 1891 000	3	COLLAR PIPE FIXING D.18
K4	18		1	SPACER 14X23X5
K3	19		1	SPACER 6.5X25X3
	20	145 8011 000	2	KEY 5X5X40 UNI6604A
	21	145 8415 000	2	BEARING BALL 6003 2RS
K1	22		1	WASHER 6X24X2 UNI6593
K4	23		1	KEY 5X5X20 UNI6604A
	24	146 1017 000	1	KEY 5X5X15 UNI6604A
	25	1463358000	2	SPRING GAS 40KG
K5	26		1	SPACER FOR GAS SPRING
	27#	1466157000	1	BRACKET PULLEYS SUPPORT PKD
	28	1464239000	2	PULLEY BROOM LEVER
	29	1464266000	1	BELT HTD 825-5M
K2	30		2	BUSHING FOR PULLEY
	31	1464444000	1	MOTOR MAIN BROOM 24V 600W
	32	L08603949	1	CARBON BRUSHES KIT 4 PCS
	33	1464983000	3	PLATE FOR COLLAR
	34	1464986000	1	SHAFT MAIN BROOM
	35#	1466139000	1	PULLEY HTD KIT
K1	36		1	SPACER 24X17.2X4.5
	37	1464990000	1	HUB MAIN BROOM
	38#	1466079000	1	PIN MAIN BROOM PKD
	39	1463913000	1	BROOM MAIN 340X700 CHEVRON 6R PPL 0.8
	39*	1463854000	1	BROOM MAIN 340X700 CHEVRON 6R MIX 5
	39*	1464947000	1	BROOM MAIN 340X700 CHEVRON 6R MIX ST
	40#	1466144000	1	BRACKET PROTECTION PULLEYS KIT
	#	1466145000	1	INSTRUCTION INSTALL. KIT 1466144000
K1	1465052000		1	HARDWARE MAIN BROOM HUB KIT
K2	1465053000		1	HARDWARE MAIN BROOM PULLEY KIT
K3	1465054000		1	HARDWARE MAIN BR. MOTOR PULLEY KIT
K4	1465055000		1	PULLEY MAIN BR. MOTOR KIT
K5	1465056000		1	HARDWARE FOR GAS SPRING KIT

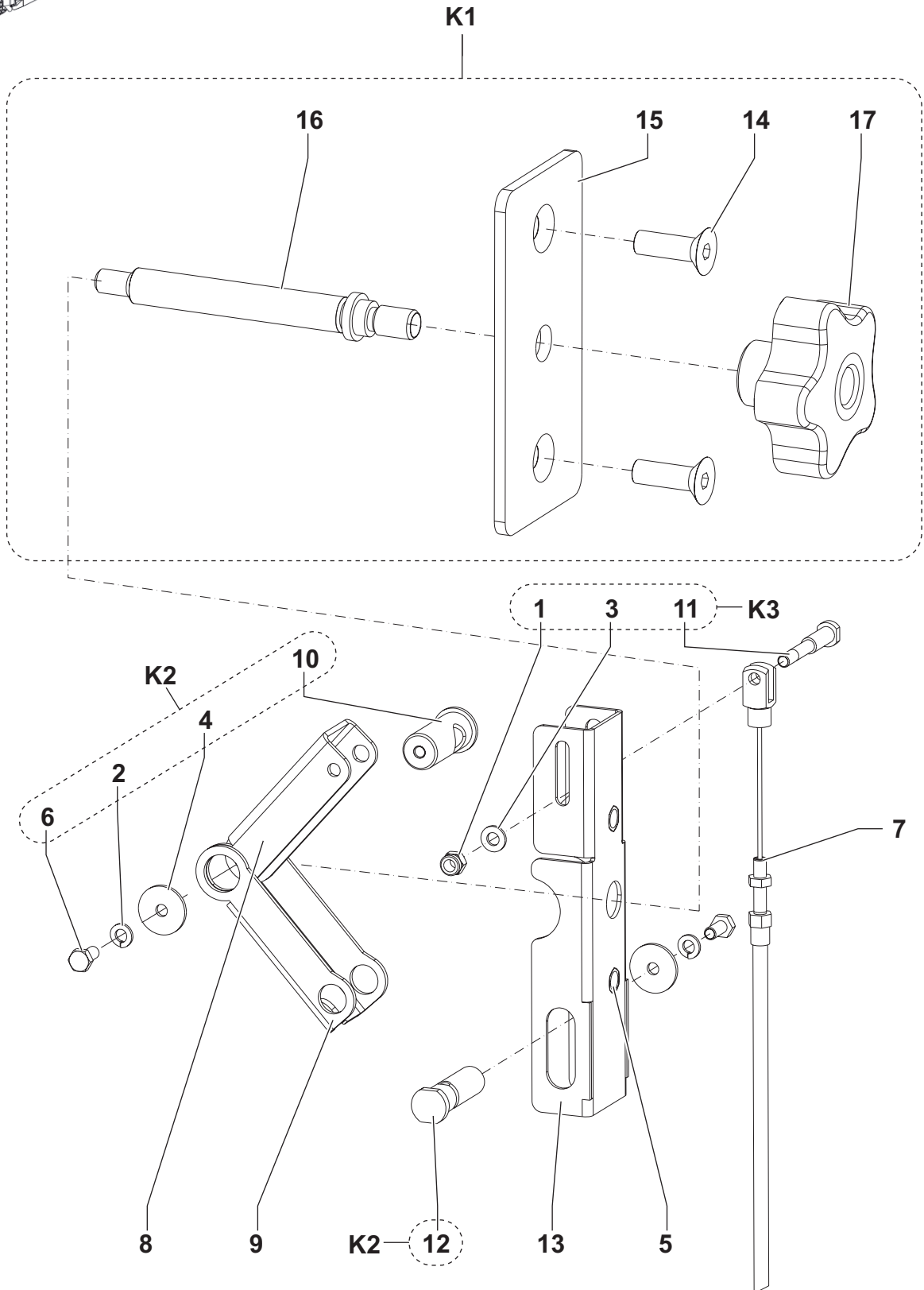
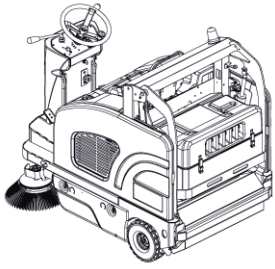
BROOM CLOSING



BROOM CLOSING

KIT	ITEM	REF. NO.	QTY	DESCRIPTION
K2	1		1	WASHER 12X48X3 UNI6593
K2	2		1	SCREW M12X100 HEX HD P/THD ISO4014
K1	3		2	SCREW M5X30 HEX HD F/THD ISO4017
K1	4		2	NUT HEX M5 UNI5588
	5	33006010	1	WASHER M12 UNI1751B
	6	145 0269 000	1	HUB LEFT MAIN BROOM
	7	145 0270 000	1	BEARING BALL 6001 2RS
	8	145 0271 000	1	SPRING
	9	146 2471 000	4	KNOB KNURLED M6 FEMALE
	10	1464180000	1	LEVER MAIN BROOM SUPPORT
	11	1464181000	1	BUSHING SUPPORT LEVER
	12	1464182000	1	PIN MAIN BROOM ARM
	13	1464183000	1	HATCH MAIN BROOM
	14	1464278000	1	PLATE SIDE KIRT FIXING
	15	1464476000	1	KNOB BLACK/YELLOW
	16	1465396000	1	SKIRTS KIT
	16*	1464951000	1	SKIRT NON MARKING KIT
K2	17		1	SPACER 12X17X25
K2	18		1	SPACER 12X17X35
K2	19		1	NUT SELF L. M12 UNI7473
	K1	1465057000	1	HW MAIN BROOM LEVER SUPPORT KIT
	K2	1465058000	1	HARDWARE MAIN BROOM IDLE HUB KIT

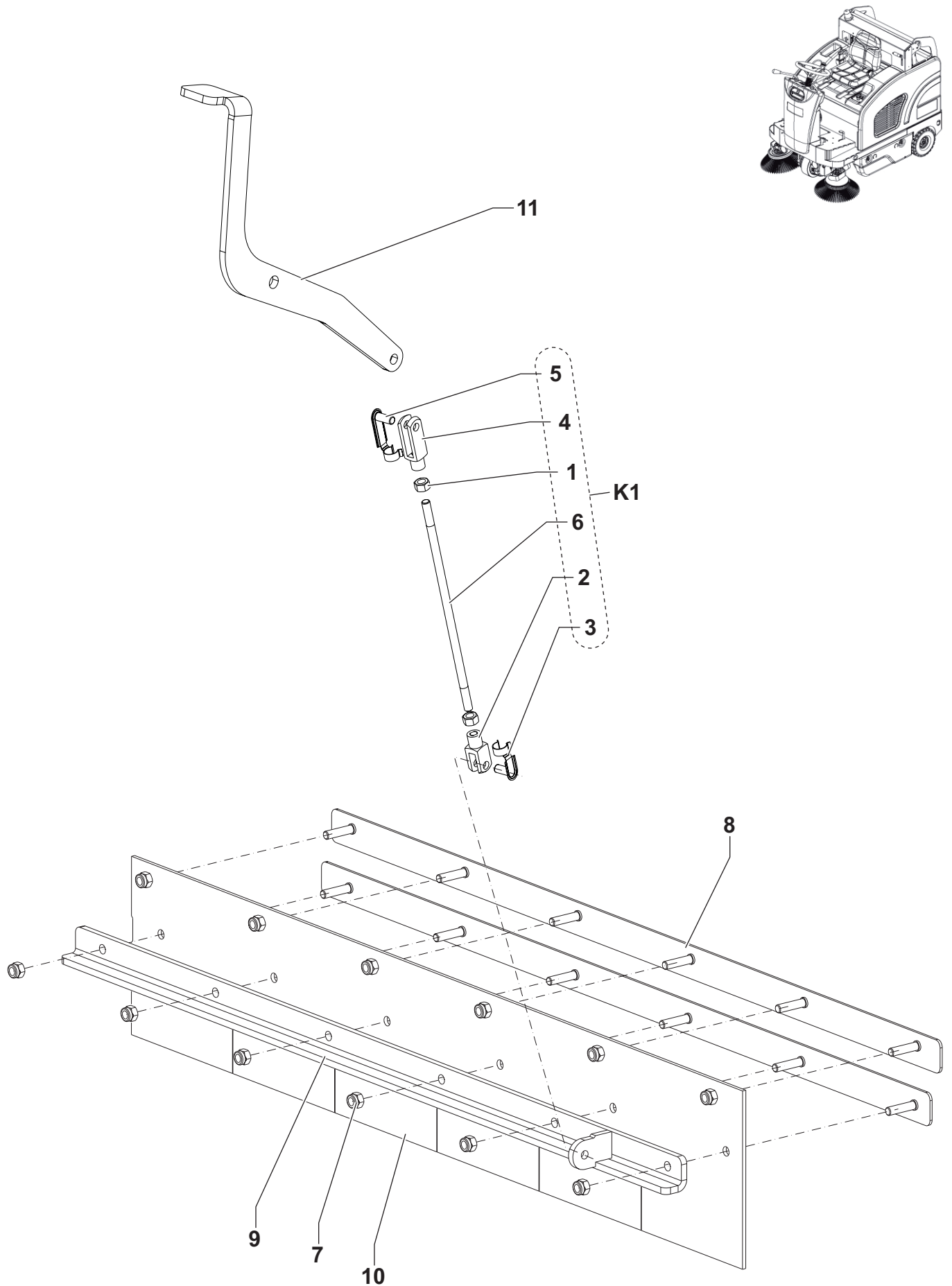
MAIN BROOM ADJUSTMENT



MAIN BROOM ADJUSTMENT

KIT	ITEM	REF. NO.	QTY	DESCRIPTION
K3	1		1	NUT SELF L. M6 UNI7473
K2	2		2	WASHER M6 UNI1751B
K3	3		1	WASHER M6 UNI6592
K2	4		2	WASHER PLAIN D.6 X 24
	5	145 4773 000	2	INSERT M8
K2	6		2	SCREW M6X14 HEX HD F/THD ISO4017
	7	1464413000	1	CABLE MAIN BROOM
	8	1464449000	1	BRACKET UPPER MAIN BROOM SETTING
	9	1464450000	1	BRACKET LOWER MAIN BROOM SETTING
K2	10		1	PIN ARMS MAIN BROOM SETTING
K3	11		1	PIN ARM UPPER
K2	12		1	PIN ARM LOWER
	13	1464462000	1	BRACKET GUIDE MAIN BROOM SETTING
K1	14		2	SCREW M8X25 C/SUNK FLAT HD HEX ISO10642
K1	15		1	PLATE MAIN BROOM SETTING
K1	16		1	PIN MAIN BROOM SETTING
K1	17	1464476000	1	KNOB BLACK/YELLOW
	K1	1464914000	1	BROOM MAIN ADJUST. KIT
	K2	1465059000	1	BROOM MAIN ADJUST. KIT
	K3	1465060000	1	CABLE MAIN BROOM FIXING KIT

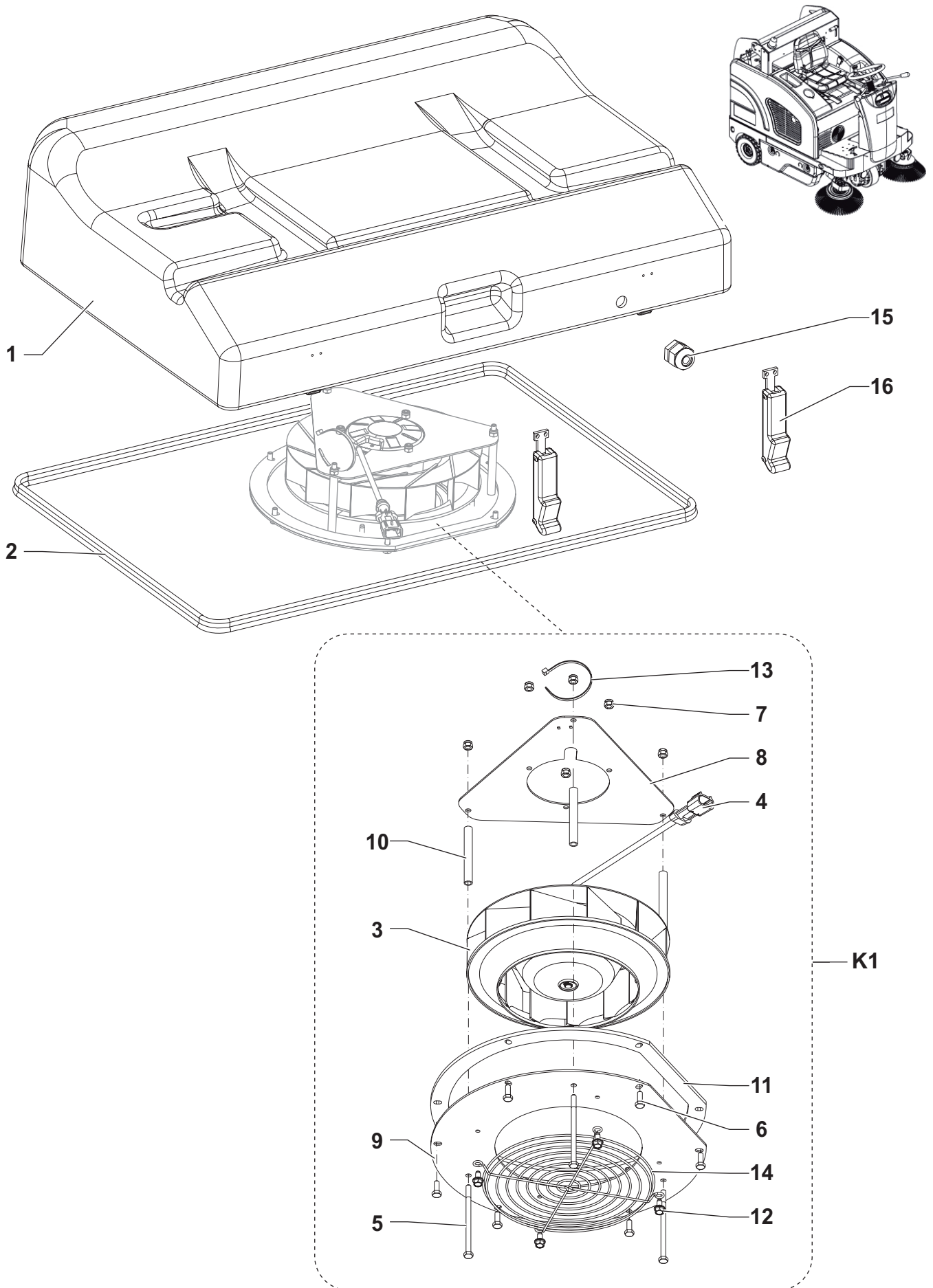
FRONT LIFT FLAP



FRONT LIFT FLAP

KIT	ITEM	REF. NO.	QTY	DESCRIPTION
K1	1		2	NUT HEX M6 UNI5587
K1	2		1	FORK M6
K1	3		1	CIRCLIP M6
K1	4		1	FORK M6
K1	5		1	CIRCLIP M6
K1	6		1	ROD F FLAP CONTROL
	7	33005562	12	NUT SELF L. M6 UNI7473
	8	1463916000	2	PLATE FRONT SKIRT
	9	1464337000	1	FLAP METAL FRONT
	10	1464497000	1	SKIRT FRONT
	11	1464185000	1	PEDAL DEVICE SKIRT RISING
K1		1464921000	1	ROD FOR FLAP KIT

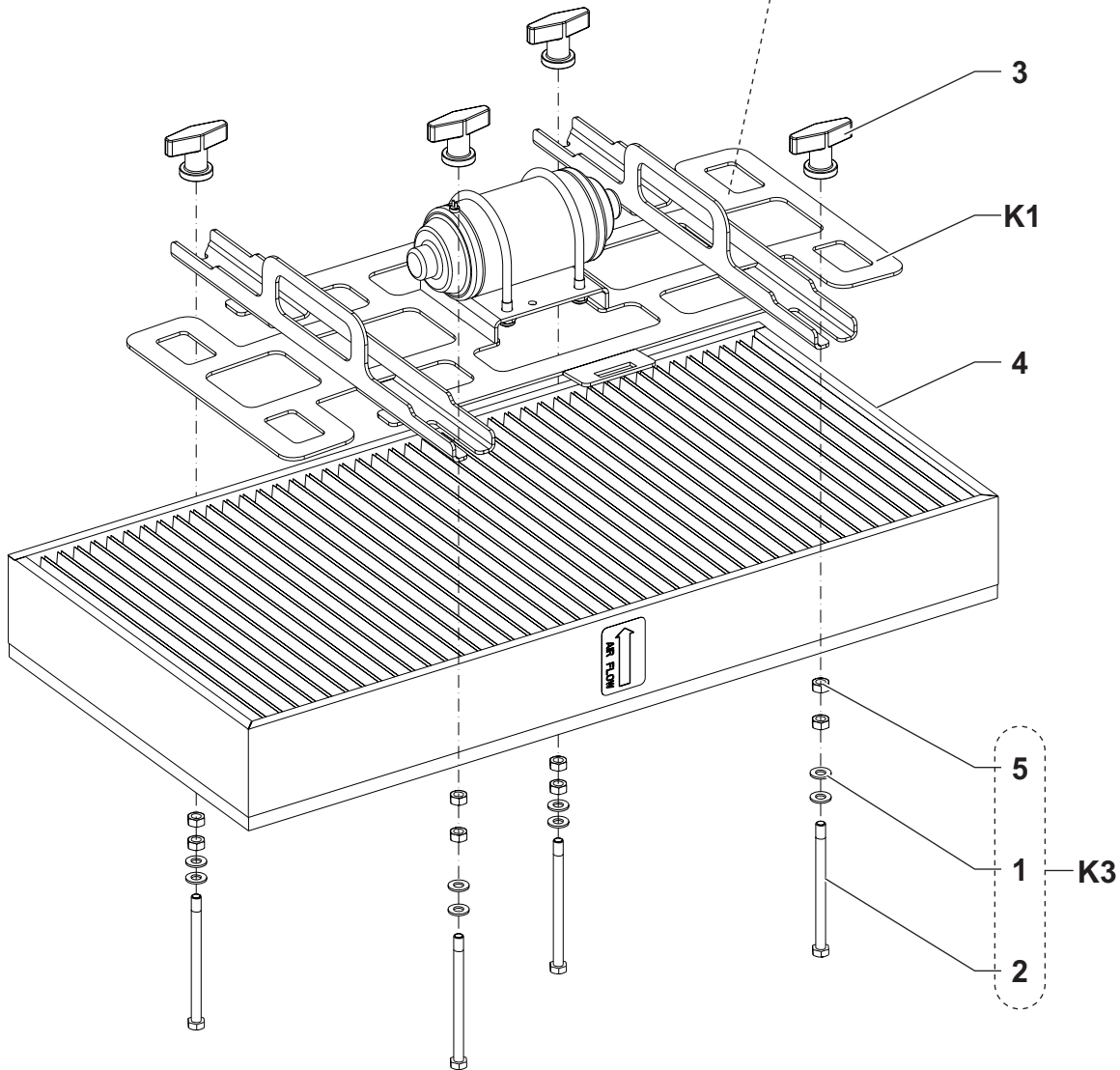
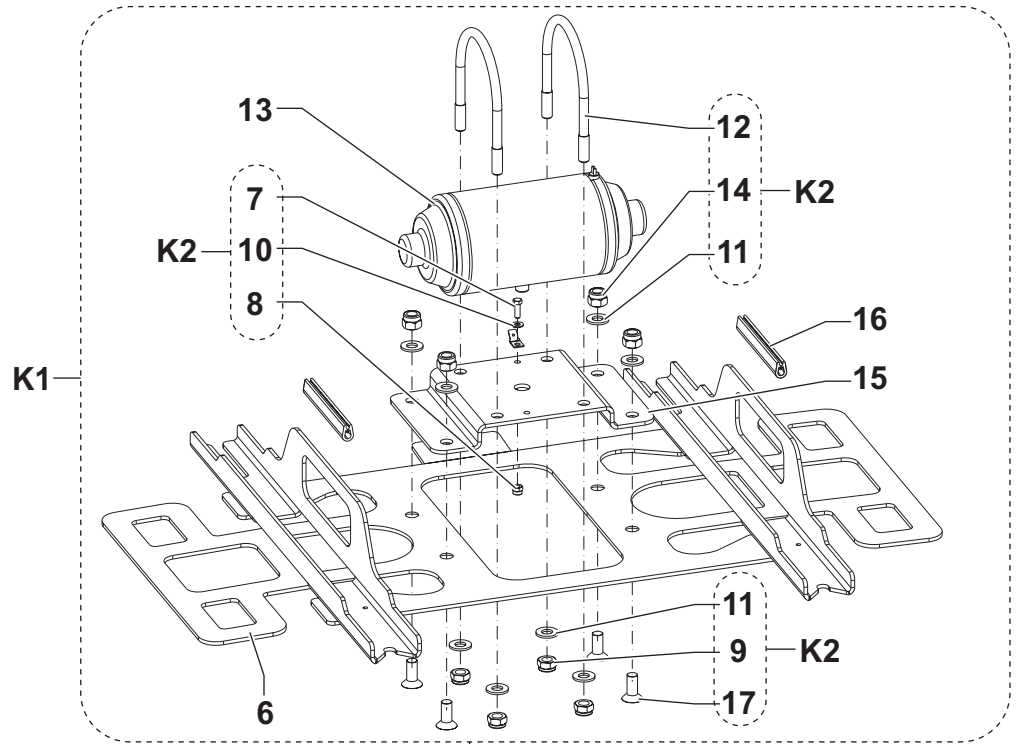
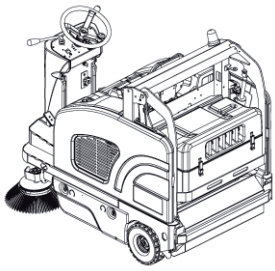
VACUUM SYSTEM



VACUUM SYSTEM

KIT	ITEM	REF. NO.	QTY	DESCRIPTION
	1	1464190000	1	CONTAINER VACUUM MOTOR
	2	1464198000	1	GASKET BULB RUBBER L.2200MM PKD
K1	3	1463374000	1	FAN RADIAL 24V
K1	4		1	HOLDER CABLE
K1	5		3	SCREW M6X100 HEX HD P/THD ISO4014
K1	6		6	SCREW M6X16 HEX HD F/THD ISO4017
K1	7		6	NUT SELF L. M6 UNI7473
K1	8		1	SUPPORT MOTOR VACUUM
K1	9		1	PLATE SUPPORT MOTOR VACUUM
K1	10		3	SPACER 10X7 L 8
K1	11		1	GASKET MOTOR VACUUM
K1	12		4	SCREW M6X12 HEX HD FLA THD FORM
K1	13		1	TIE CABLE 3.6x140 BLACK
K1	14		1	GRATE PROTECTION
	15	146 1892 000	1	CLAMP CABLE
	16	1464313000	4	HATCH RUBBER
K1		1464927000	1	FAN RADIAL 24V KIT

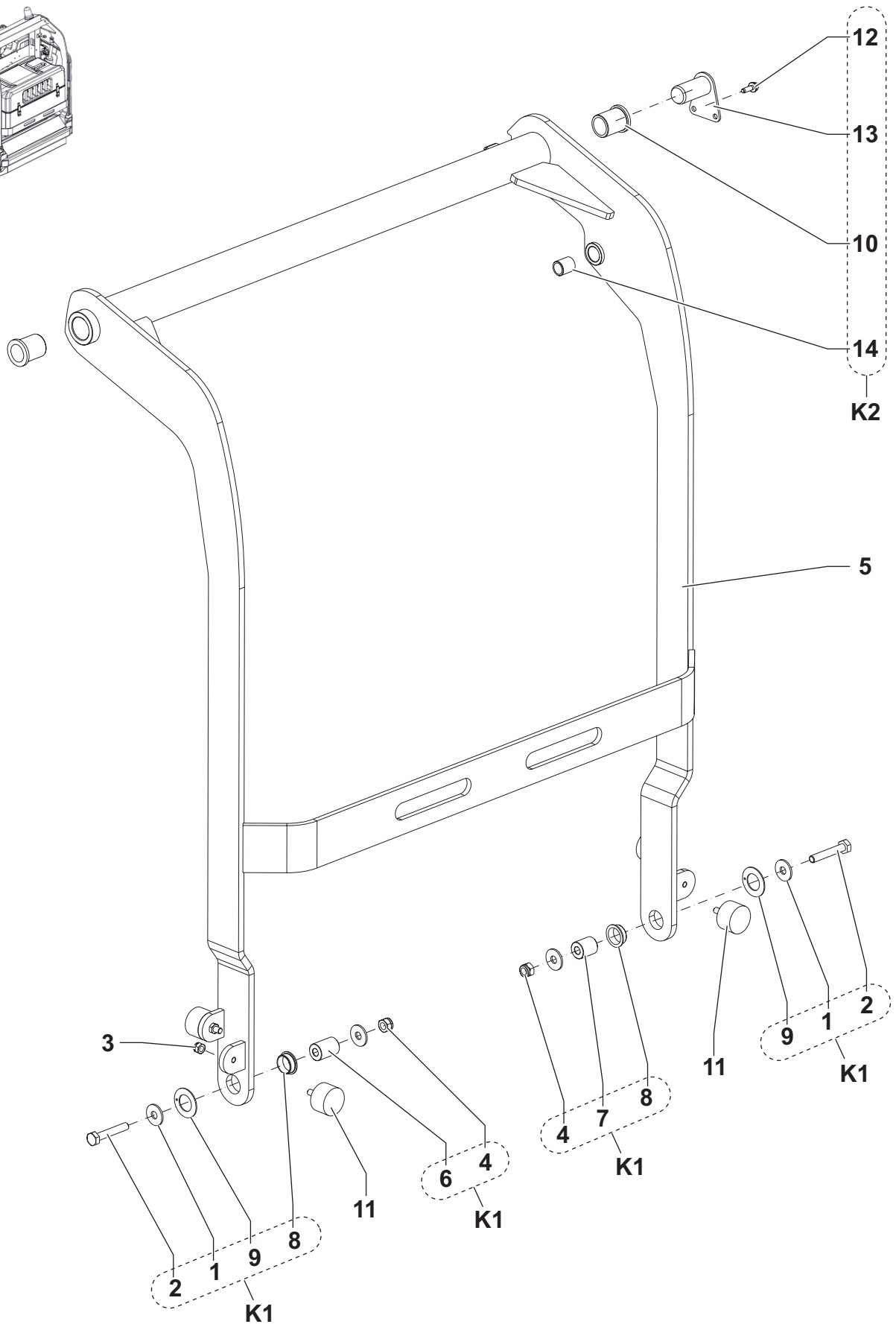
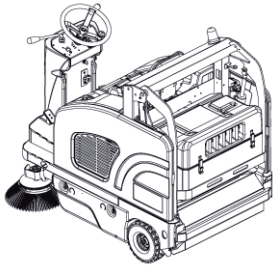
PANEL FILTER



PANEL FILTER

KIT	ITEM	REF. NO.	QTY	DESCRIPTION
K3	1		8	WASHER M8 UNI6592
K3	2		4	SCREW 5/16 x 4.5 UNC
	3	9098257000	4	NUT THUMB SQUEEGEE FIXING
	4	1464189000	1	FILTER PANEL PAPER ULTRA WEB BLUE
	4*	1464839000	1	FILTER PANEL POLYESTER ULTRA WEB BLUE
	4*#	1465402000	1	FILTER PANEL PAPER OPEN FINE DUST
	4*#	1465403000	1	FILTER PANEL POLYESTER OPEN FINE DUST
K3	5		8	NUT HEX 5/16 UNC GALVANIZED
K1	6		1	PLATE FILTER SHAKER
K2	7		1	SCREW M6X12 HEX HD F/THD ISO4017
K2	8		1	NUT SELF L. M6 UNI7474
K2	9		4	NUT SELF L. M8 UNI7474
K2	10		1	WASHER M6 UNI6592
K2	11		8	WASHER M8 UNI6592
K2	12		2	COLLAR METAL U M8
K1	13	145 5539 000	1	MOTOR FILTER SHAKER 90W 24V
K2	14		4	NUT, HEX NYL LOC HVY M8
K1	15		1	BRAKET FILTER SHAKER
K1	16		2	SEAL L = 90
K2	17		4	SCREW, FLAT SOCKET HEAD
	K1	1464918000	1	SHAKER FILTER KIT
K1	K2	1465061000	1	HARDWARE SHAKER FIXING KIT
	K3	1465062000	1	HARDWARE FILTER PLATE FIXING KIT

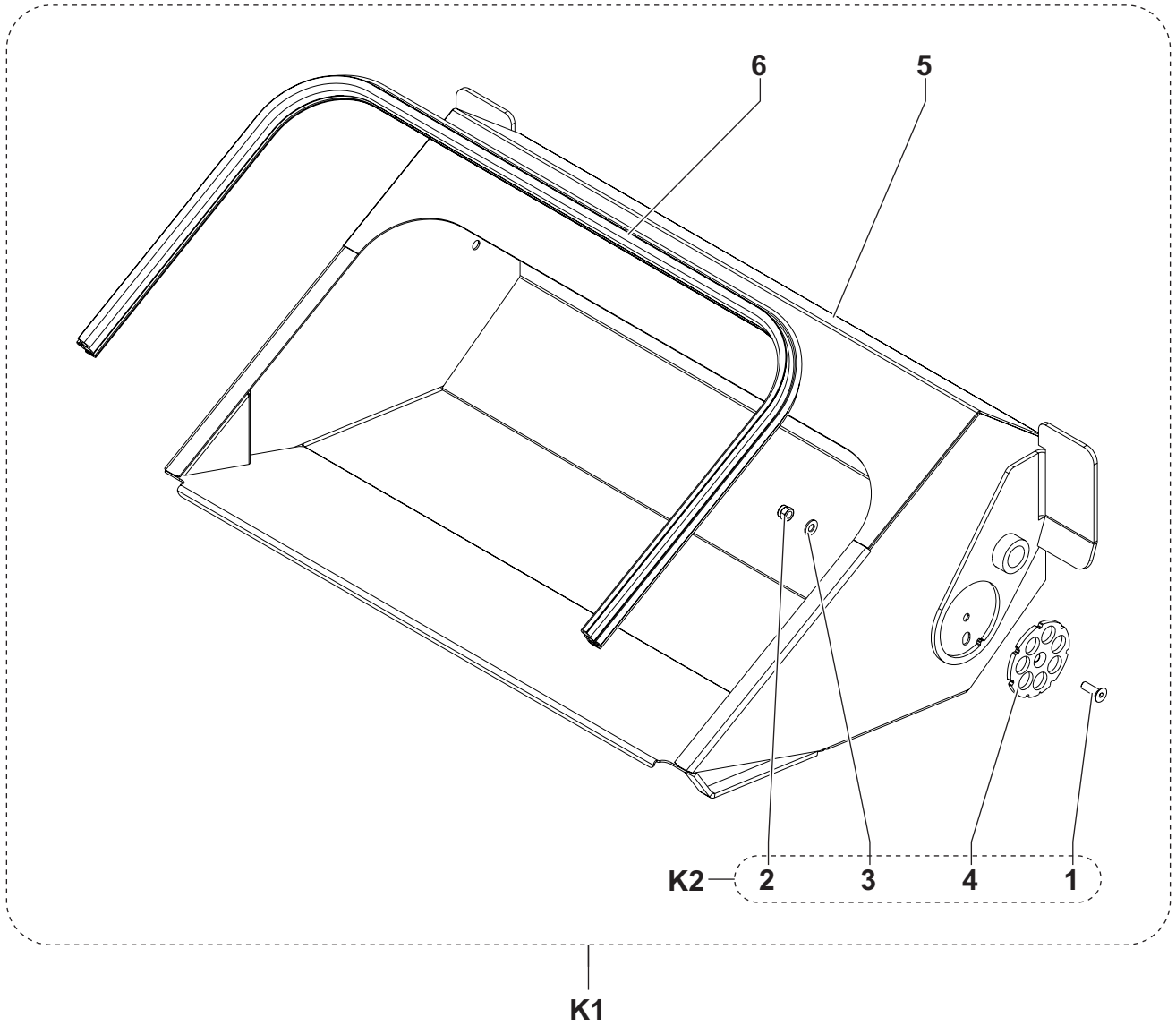
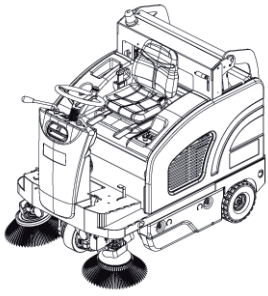
LIFTING ARMS



LIFTING ARMS

KIT	ITEM	REF. NO.	QTY	DESCRIPTION
K1	1		4	WASHER 10X30 UNI6593
K1	2		2	SCREW M10X60 HEX HD F/THD ISO4017
	3	33005533	4	NUT HEX M8 UNI5589
K1	4		2	NUT SELF L. M10 UNI7473
	5	1464159000	1	ARM LIFTING HOPPER WASTE
K1	6		1	PIN HOPPER
K1	7		1	PIN HOPPER
K1	8		2	BEARING FLANGE IGLIDUR GFM-2427-10
K1	9		2	WASHER THRUST GTM 2442-015
K2	10		2	BEARING FLANGE IGLIDUR MFM-2532-40
	11	1464475000	4	BUMPER M8 40x25MM
K2	12		2	SCREW M6X20 HEX HD FLA THD FORM
K2	13		2	PIN ARM ROTATION
K2	14		1	BEARING FLANGE IGLIDUR ZSM-1618-15
	K1	1465063000	1	ARM PRIMARY HOPPER FIXING KIT
	K2	1465064000	1	PIN PRIMARY ARM KIT

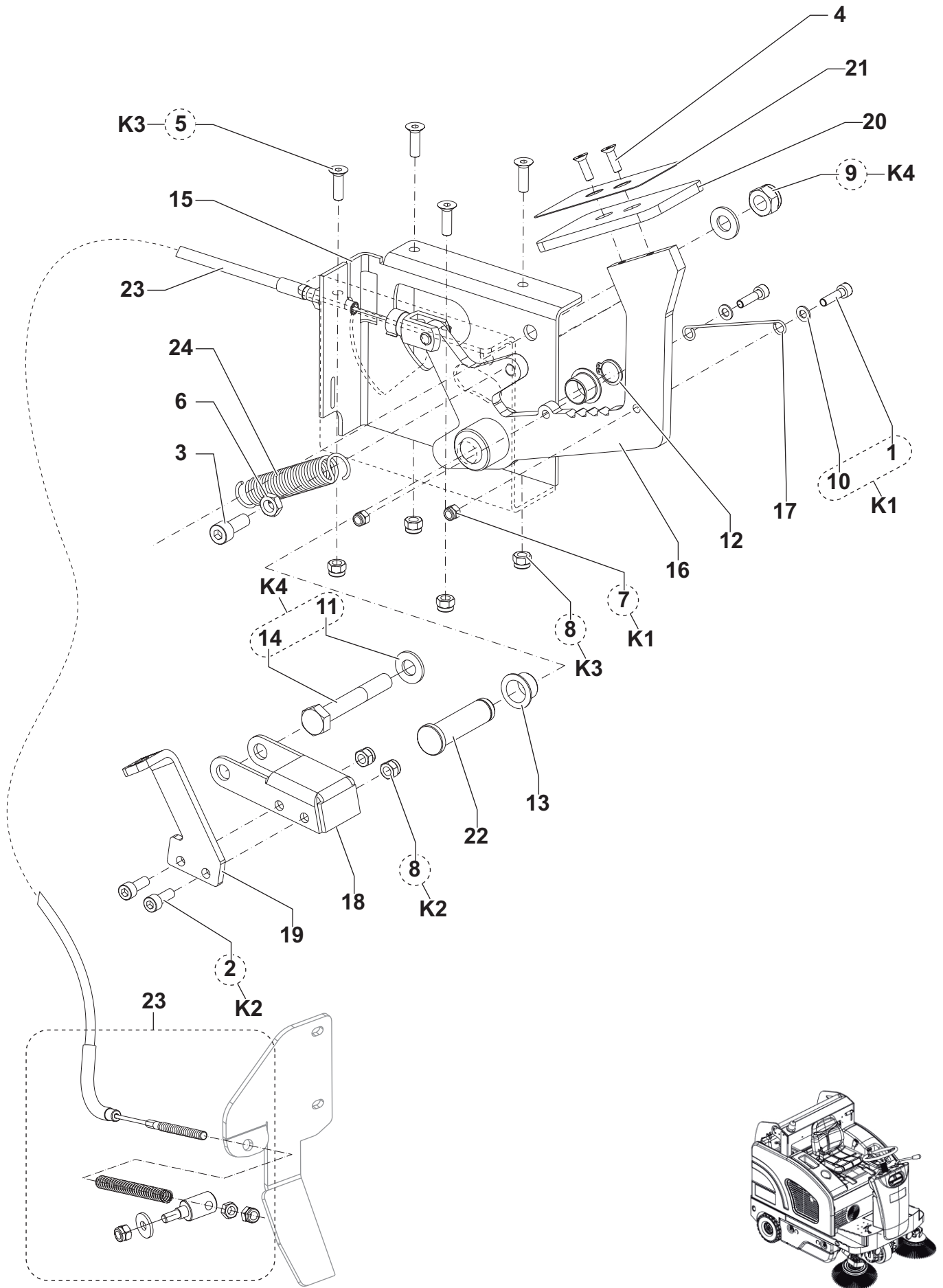
HOPPER SYSTEM



HOPPER SYSTEM

KIT	ITEM	REF. NO.	QTY	DESCRIPTION
K2	1		1	SCREW M8X25 C/SUNK FLAT HD HEX ISO10642
K2	2		1	NUT SELF L. M8 UNI7473
K2	3		1	WASHER M8 UNI6592
K2	4		1	FLANGE HOPPER SETTING
K1	5		1	HOPPER WASTE
K1	6	1464535000	1	GASKET RUBBER L.1430MM PKD
	K1	1464917000	1	HOPPER WASTE KIT
	K2	1465065000	1	FLANGE HOPPER SETTING KIT

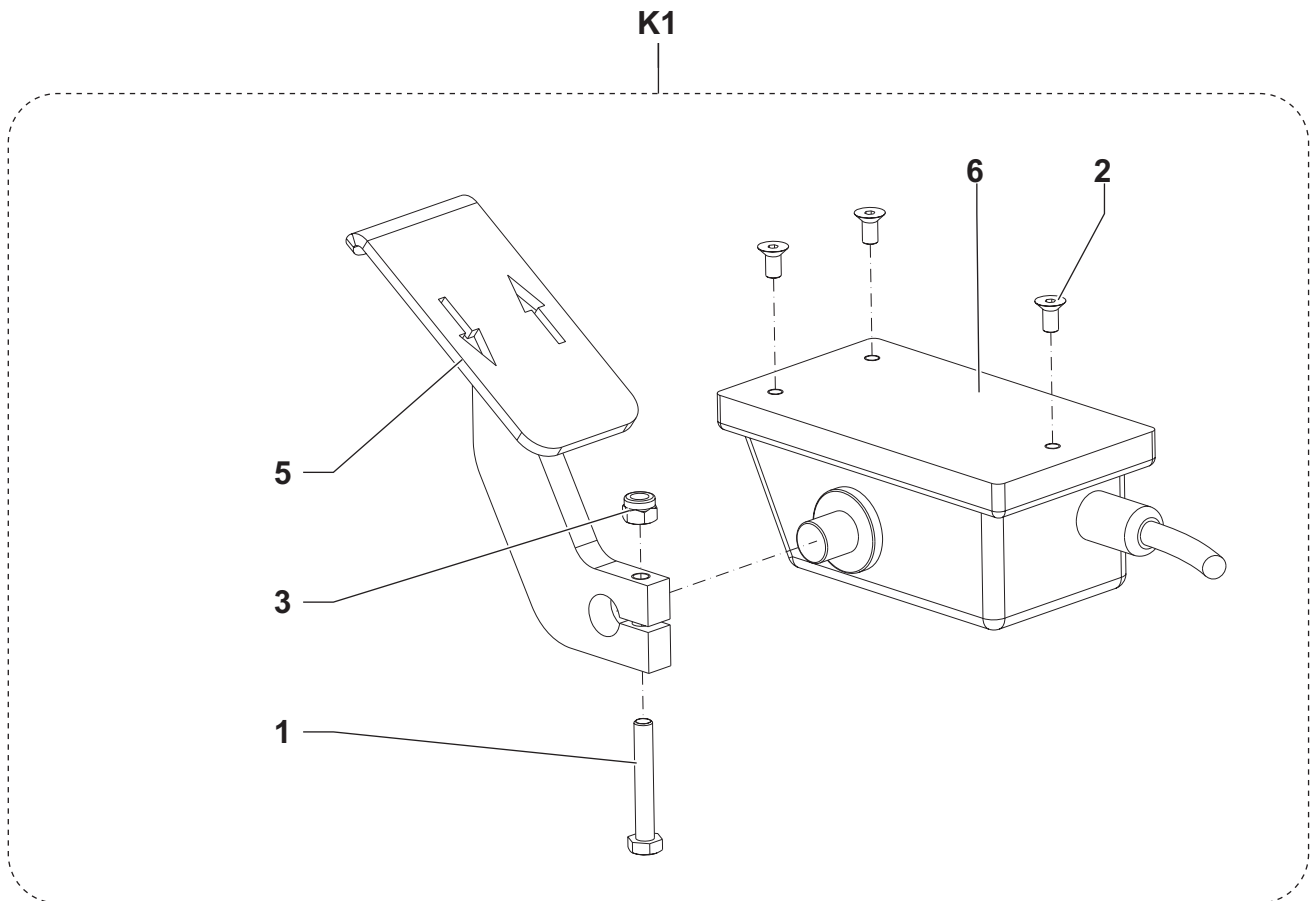
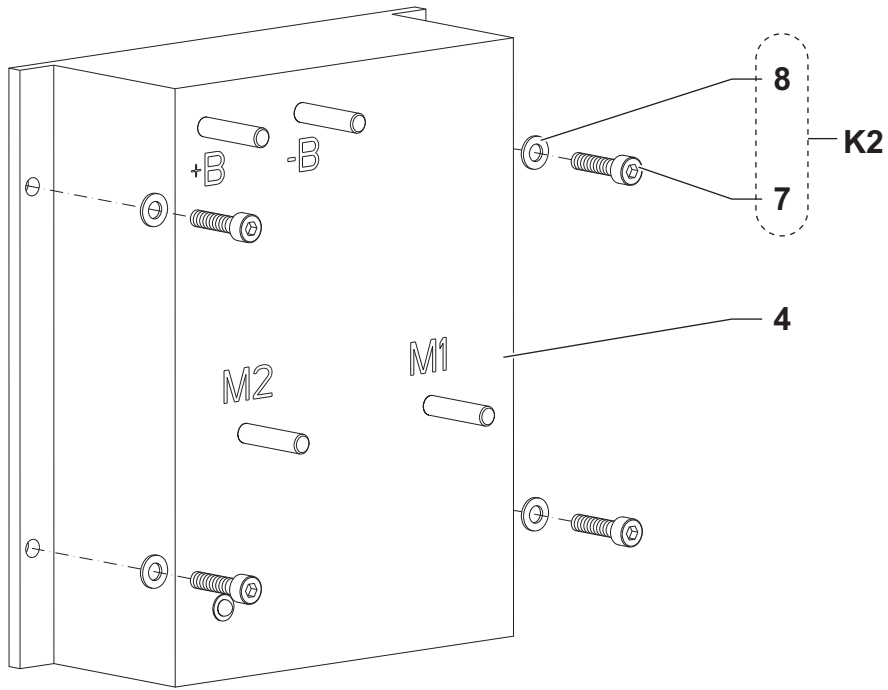
PEDAL BRAKE



PEDAL BRAKE

KIT	ITEM	REF. NO.	QTY	DESCRIPTION
K1	1		2	SCREW M5X20 CAP HD HEX SOCK ISO4762
K2	2		2	SCREW M6X16 CAP HD HEX SOCK ISO4762
	3	33004365	1	SCREW M8X20 CAP HD HEX SOCK ISO4762
	4	33004563	2	SCREW M5X16 C/SUNK FLAT HD HEX ISO10642
K3	5		4	SCREW M6X20 C/SUNK FLAT HD HEX ISO10642
	6	33005533	1	NUT HEX M8 UNI5589
K1	7		2	NUT SELF L. M5 UNI7473
K2-3	8		6	NUT SELF L. M6 UNI7473
K4	9		1	NUT SELF L. M10 UNI7473
K1	10		2	WASHER M5 UNI6592
K4	11		2	WASHER M10 UNI6592
	12	33006054	1	RING D 15 UNI7435
	13	146 0903 000	2	BEARING FLANGE IGLIDUR GFM-1517-12
K4	14		1	SCREW M10X70 HEX HD P/THD ISO4014
	15	1464217000	1	SUPPORT BRAKE
	16	1464218000	1	LEVER BRAKE
	17	1464219000	1	SPRING LOCK BRAKE
	18	1464220000	1	LOCK PARKING BRAKE
	19	1464221000	1	PEDAL LOCK BRAKE
	20	1464222000	1	PLATE BRAKE PEDAL
	21	1464223000	1	MAT ANTI SLIP BRAKE PEDAL
	22	1464224000	1	PIN BRAKE PEDAL
	23	1465390000	1	CABLE BRAKE KIT
	24	1464431000	1	SPRING BRAKE
K1	1465066000		1	HARDWARE SPRING LOCK BRAKE KIT
K2	1465067000		1	HARDWARE LOCK BRAKE PEDAL KIT
K3	1465068000		1	HARDWARE SUPPORT BRAKE KIT
K4	1465069000		1	HARDWARE LOCK TOOTH KIT

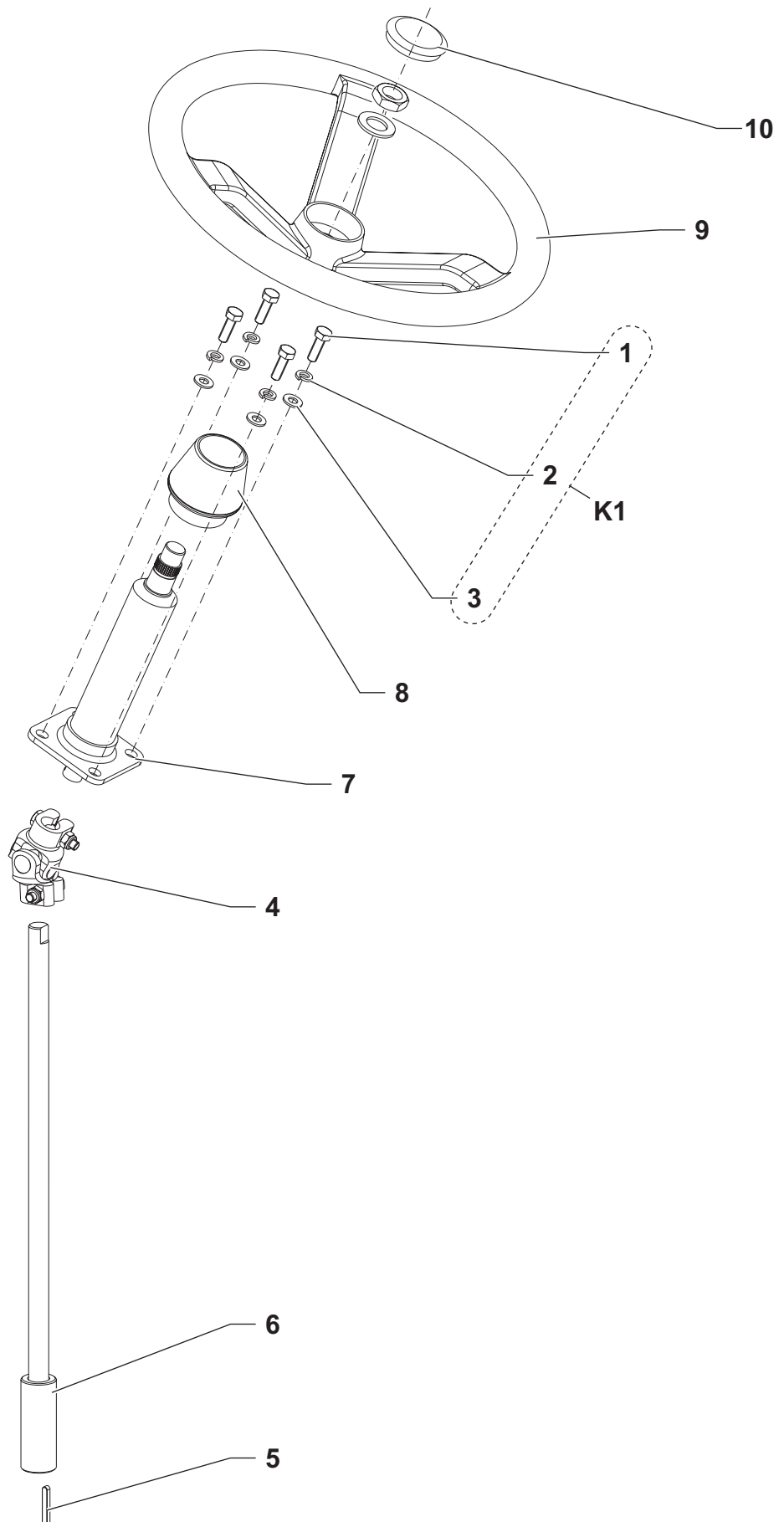
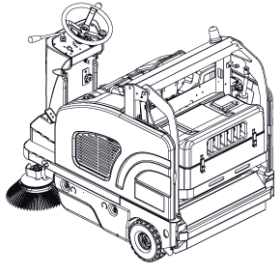
ACCELERATOR PEDAL



ACCELERATOR PEDAL

KIT	ITEM	REF. NO.	QTY	DESCRIPTION
K1	1		1	SCREW M6X40 HEX HD F/THD ISO4017
K1	2		3	SCREW M5X10 C/SUNK FLAT HD HEX ISO10642
K1	3		1	NUT SELF L. M6 UNI7473
	4#	1466210000	1	CONTROLLER DRIVE WHEEL PKD
K1	5	1464368000	1	PEDAL THROTTLE
K1	6	1464425000	1	ACCELERATOR ELECTRONIC
K2	7		4	SCREW M5X20 CAP HD HEX SOCK ISO4762
K2	8		4	WASHER M5 UNI6592
	K1	1464922000	1	ACCELERATOR ELECTRONIC CPL KIT
	K2	1465070000	1	HARDWARE TRACTION BOARD KIT

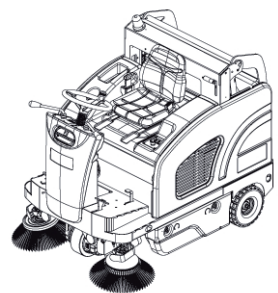
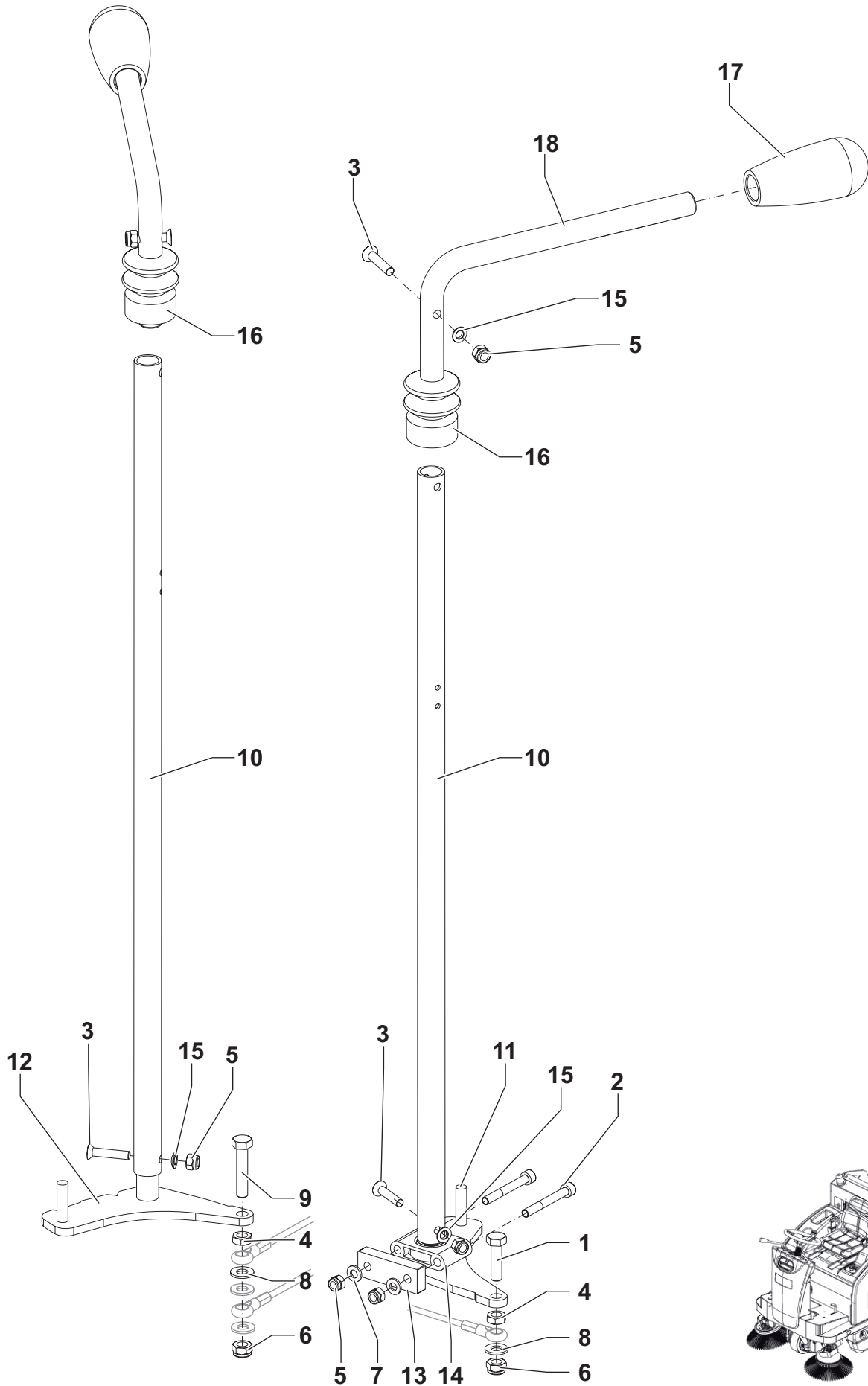
STEERING COLUMN



STEERING COLUMN

KIT	ITEM	REF. NO.	QTY	DESCRIPTION
K1	1		4	SCREW M8X25 HEX HD F/THD ISO4017
K1	2		4	WASHER M8 UNI1751B
K1	3		4	WASHER M8 UNI6592
	4#	1466319000	1	JOINT UNIVERSAL D.17 PKD
	5	146 0830 000	1	KEY 5X5X36 UNI6604A
	6	1463895000	1	SHAFT STEERING
	7	1464136000	1	COLUMN STEERING
	8	1464989000	1	COVER FOR STEERING COLUMN
	9	1464523000	1	WHEEL STEERING D.362
	10	145 8753 000	1	CAP
K1		1465071000	1	HARDWARE STEERING COLUMN KIT

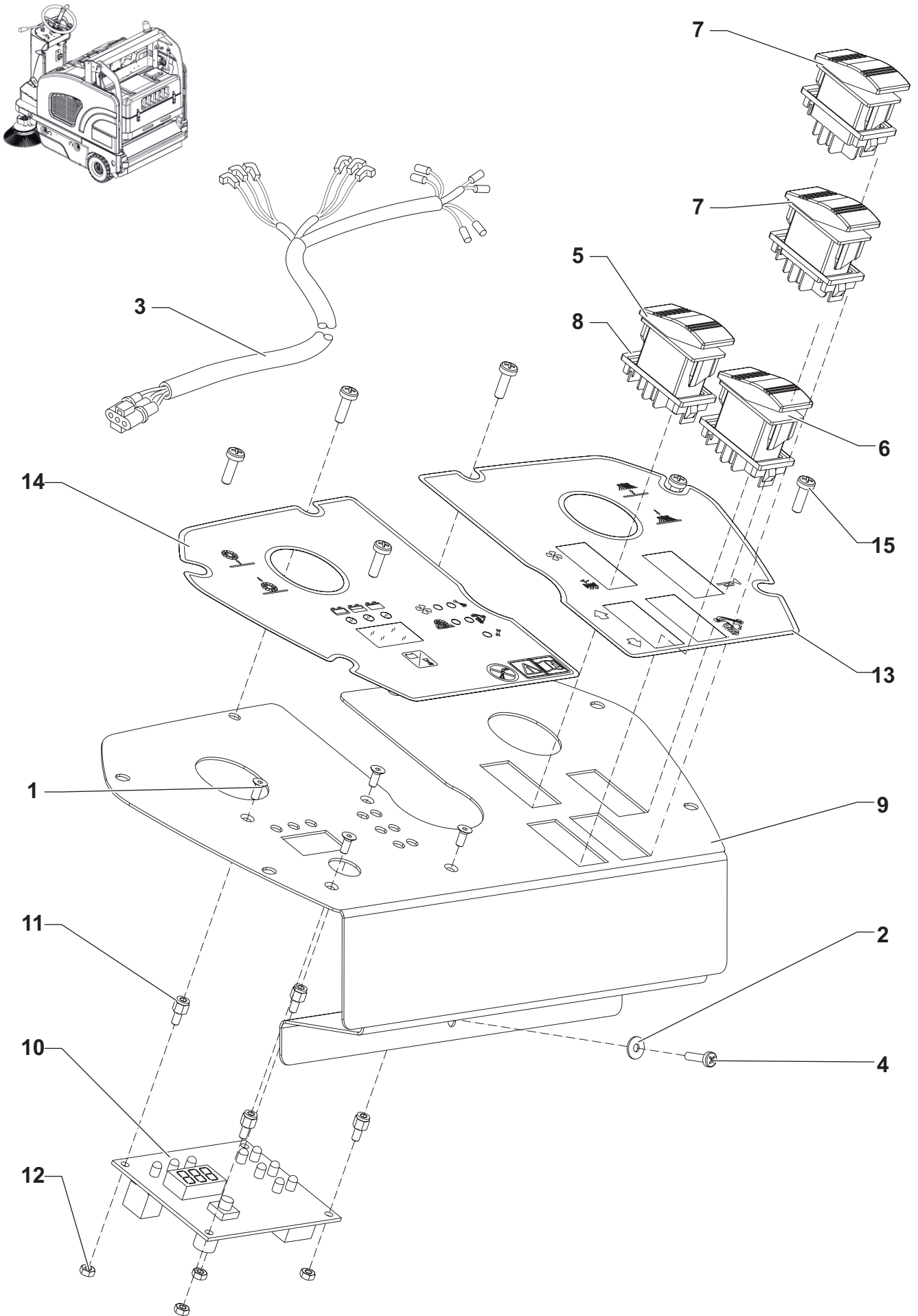
BROOM LEVERS



BROOM LEVERS

KIT	ITEM	REF. NO.	QTY	DESCRIPTION
K1	1		1	SCREW M8X30 HEX HD F/THD ISO4017
K1	2		2	SCREW M6X50 CAP HD HEX SOCK ISO4762
K1	3		4	SCREW M6X30 C/SUNK FLAT HD HEX ISO10642
K1	4		2	NUT HEX M8 UNI5589
K1	5		6	NUT SELF L. M6 UNI7474
K1	6		2	NUT SELF L. M8 UNI7474
K1	7		2	WASHER M6 UNI6592
K1	8		2	WASHER M8 UNI6592
K1	9		1	SCREW M8X40 HEX HD F/THD ISO4017
	10	1464174000	2	PIPE LEVER EXTENSION
	11	1464175000	1	LEVER MAIN BROOM
	12	1464176000	1	LEVER SIDE BROOM
	13	1465090000	1	PLATE FOR ARTICULATED SUPPORT
	14	1465091000	1	BEARING PILLOW BLOCK
K1	15		4	WASHER SPHERICAL M6X12 DIN6319 C
	16	146 2456 000	2	BELLOWS RUBBER
	17	1464151000	2	HANDLE LEVER
	18	1464177000	2	LEVER BROOM CONTROL
[K1]		1464820000	1	HARDWARE BROOM LEVERS KIT

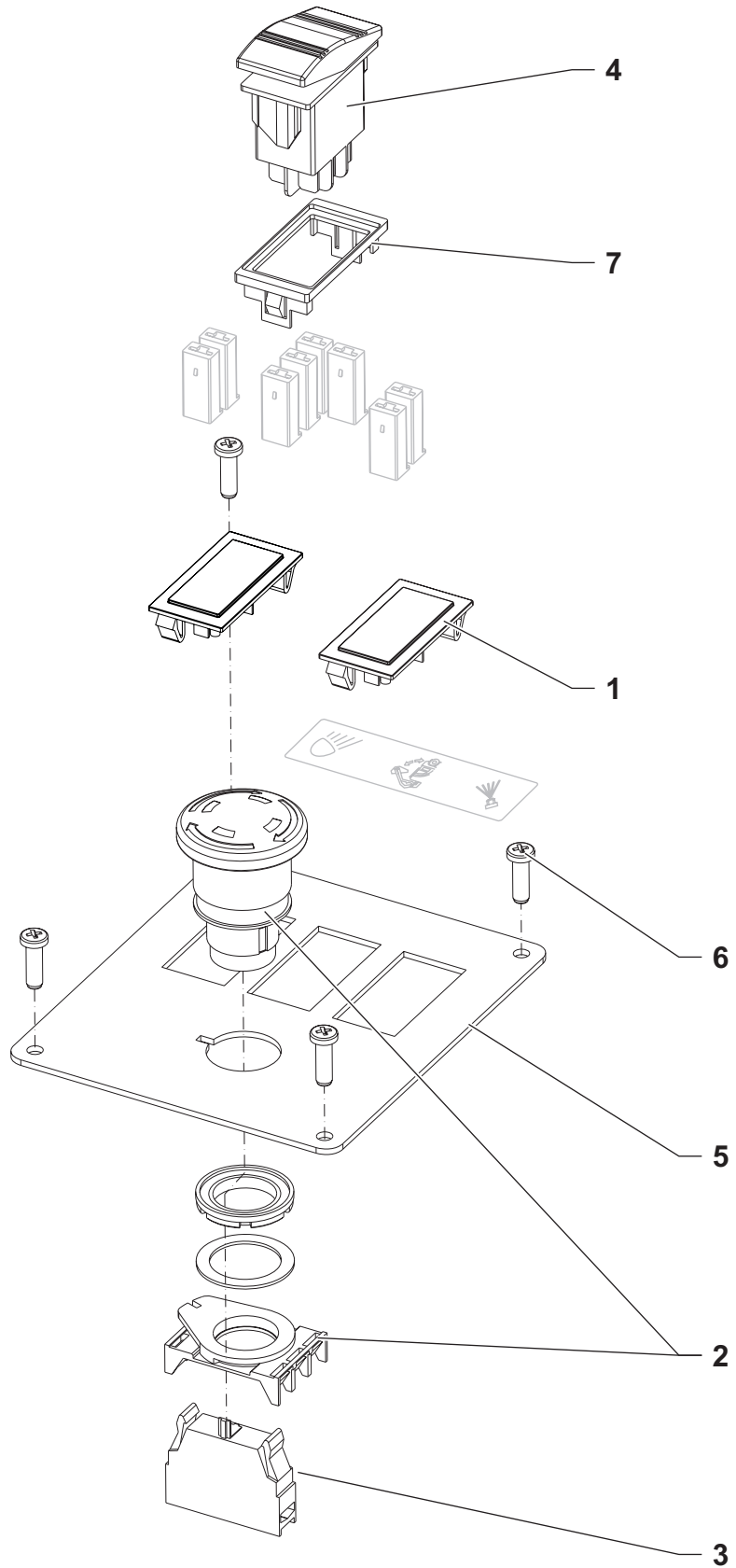
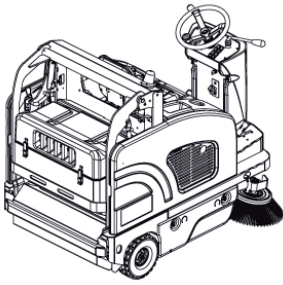
CONTROL PANEL



CONTROL PANEL

KIT	ITEM	REF. NO.	QTY	DESCRIPTION
K1	1		4	SCREW M4X10 C/SUNK FLAT HD HEX ISO10642
K1	2		1	WASHER 4X12 UNI6593
	3	1465290000	1	HARNESS CONTROL PANEL
K1	4		1	SCREW M4X16 PAN HD PHIL ISO7045
	5	146 2088 000	1	SWITCH 3 POSITIONS
	6	1465178000	1	SWITCH 2 POSITIONS 1 MOMENTARY
	7	146 2087 000	2	SWITCH MOMENTARY
	8	146 2089 000	4	MATCHER F FIXING HOLE 22x44
	9	1464179000	1	PANEL CONTROL
	10#	1466211000	1	CARD ELECTRONIC CONTROL PANEL PKD
K1	11		4	SPACER HEX M4 PLASTIC HTSN-M4-7-8-2
K1	12		4	NUT M4 PLASTIC NNE-34814-M4
	13	1464611000	1	DECAL CONTROL PANEL RT
	14	1464612000	1	DECAL CONTROL PANEL LT
K1	15		6	SCREW M5X16 PAN HD PHIL ISO7045
	[K1]	1465072000	1	HARDWARE FOR DISPLAY BOARD KIT

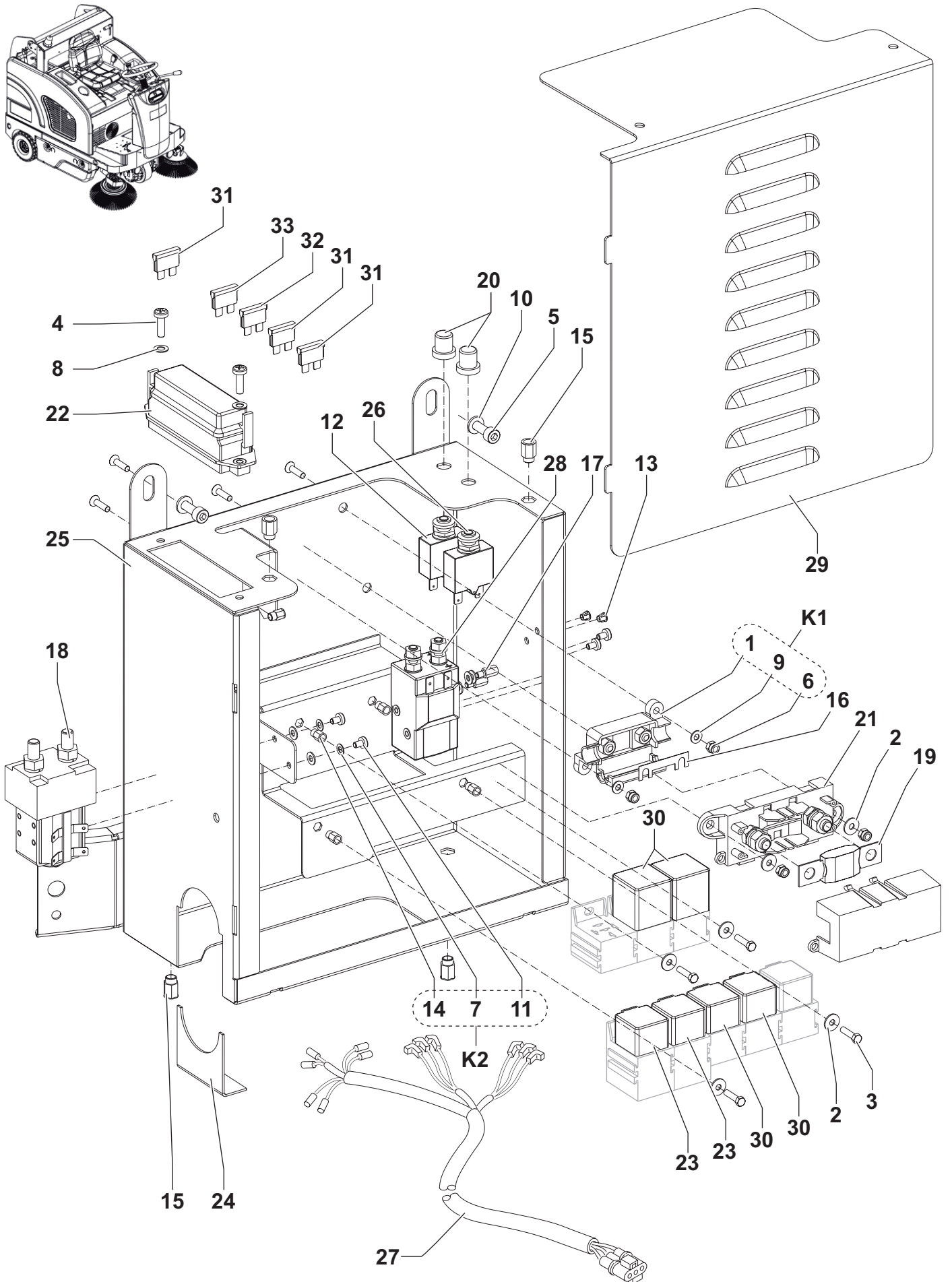
CONTROL PANEL COVER



CONTROL PANEL COVER

KIT	ITEM	REF. NO.	QTY	DESCRIPTION
	1	146 1284 000	2	CAP
	2	146 1727 000	1	SWITCH EMERGENCY
	3	146 1728 000	1	CONTACT. NC.
	4	146 2088 000	1	SWITCH 3 POSITIONS
	5	1464411000	1	PLATE EMERGENCY SWITCH
K1	6		4	THREAD ROLLING SCR 5x16
	7	146 2089 000	1	MATCHER F FIXING HOLE 22x44

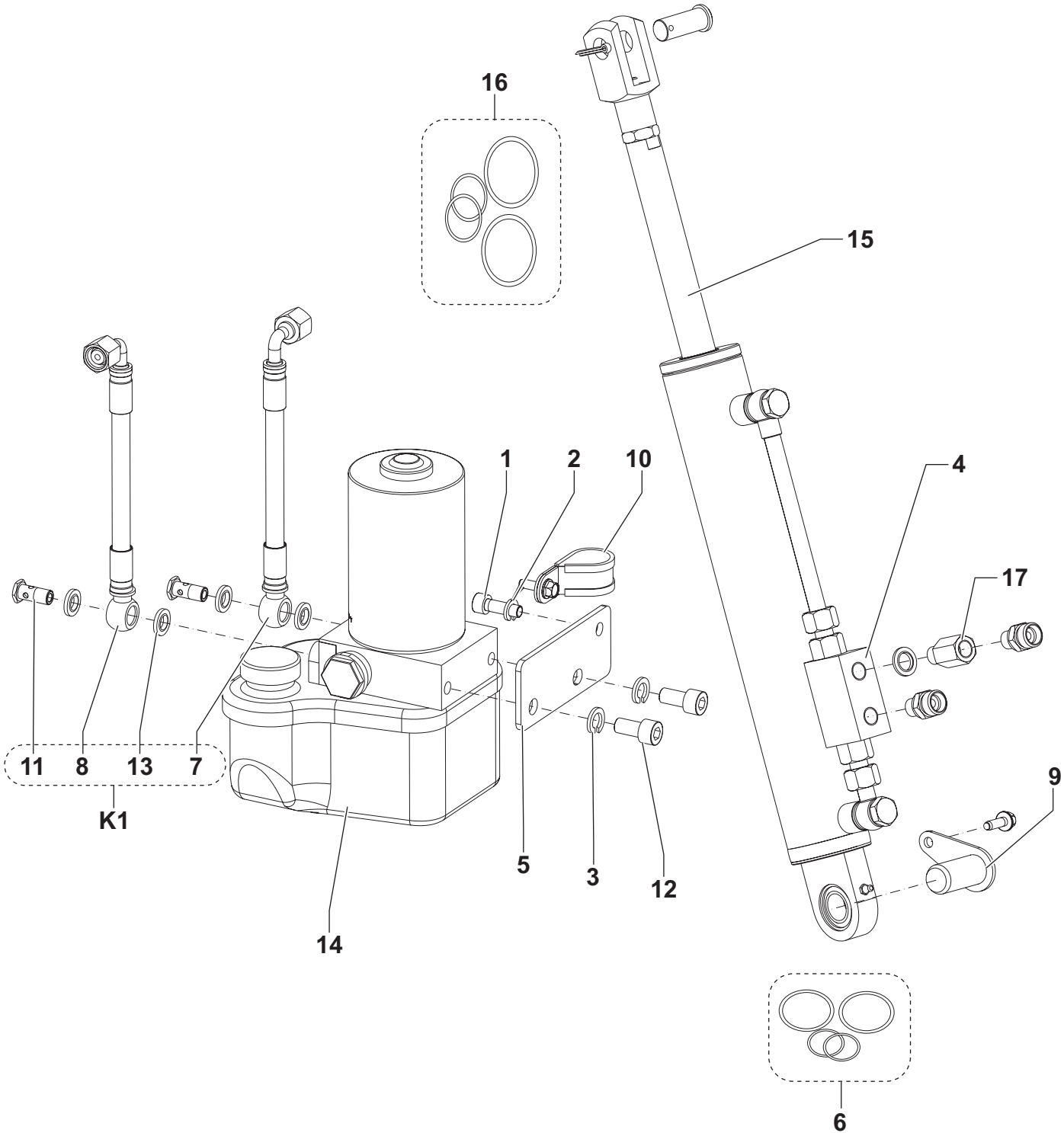
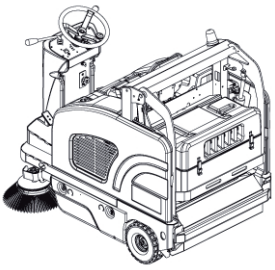
ELECTRIC SYSTEM



ELECTRIC SYSTEM

KIT	ITEM	REF. NO.	QTY	DESCRIPTION
K1	1		1	HOLDER FUSE
K3	2		6	WASHER 4X12 UNI6592 SS
K3	3		4	SCREW M4X14 HEX HD F/THD ISO4017
K3	4		2	SCREW M5X14 TCEI ISO4762
K3	5		2	SCREW M6X20 CAP HD HEX SOCK ISO4762
K1	6		4	NUT SELF L. M4 UNI7473
K2	7		4	WASHER M4 UNI8842A
K3	8		2	WASHER M5 UNI8842A
K1	9		8	WASHER M4 UNI6592
K3	10		2	WASHER M6 UNI6592
K2	11		4	SCREW M4X6 PAN HEAD
K3	12	1464336000	1	CIRCUIT BREAKER 15A
K3	13		2	CAP d. 6.4
K2	14		6	INSERT M4
K3	15		4	INSERT M6
K3	16	145 9854 000	1	FUSE 50A
K3	17		2	SPACER M4 L10
K3	18	1464982000	1	SWITCH ELECTROMAGNETIC 24V 120A
K3	19	146 0840 000	1	FUSE MEGAFUSE 150A
K3	20	146 0841 000	2	CAP.PROTECTION FUSE
K3	21	146 1169 000	1	HOLDER FUSE
K3	22	146 1170 000	1	HOLDER FUSE 8 WAYS
K3	23	909 6622 000	2	RELAY 24V 40A
K3	24	1463923000	1	PLATE CLOSURE
K3	25	1464248000	1	BOX ELECTRIC
	26	1464336000	1	CIRCUIT BREAKER 15A
K3	27		1	HARNESS ELECTRIC BOX BATTERY
K3	28	9097208000	1	SWITCH ELECTROMAGNETIC 24V
	29	1464249000	1	COVER ELECTRIC BOX
K3	30	1464289000	4	RELAIS 24V 20/30A
K3	31	145 8514 000	3	FUSE BLADE 25A
K3	32#	9100000878	1	FUSE BLADE 3A PKD
K3	33	146 0068 00	1	FUSE BLADE 10A
K3	K1	1465073000	1	HOLDER FUSE KIT
K3	K2	1465074000	1	HARDWARE CONTACTOR KIT
	[K3]	1464246000	1	BOX ELECTRIC CPL BATTERY VERSION

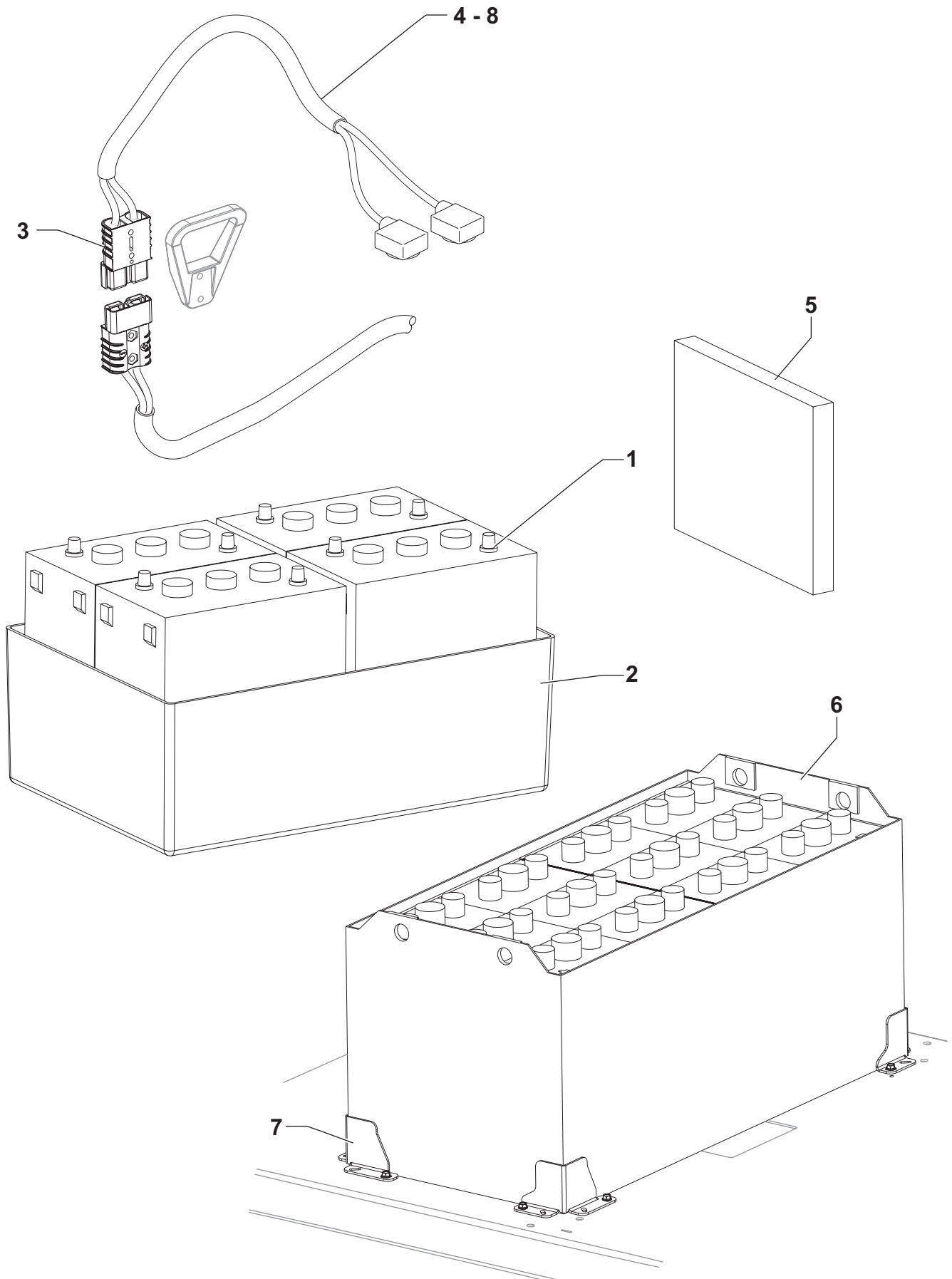
HYDRAULIC SYSTEM



HYDRAULIC SYSTEM

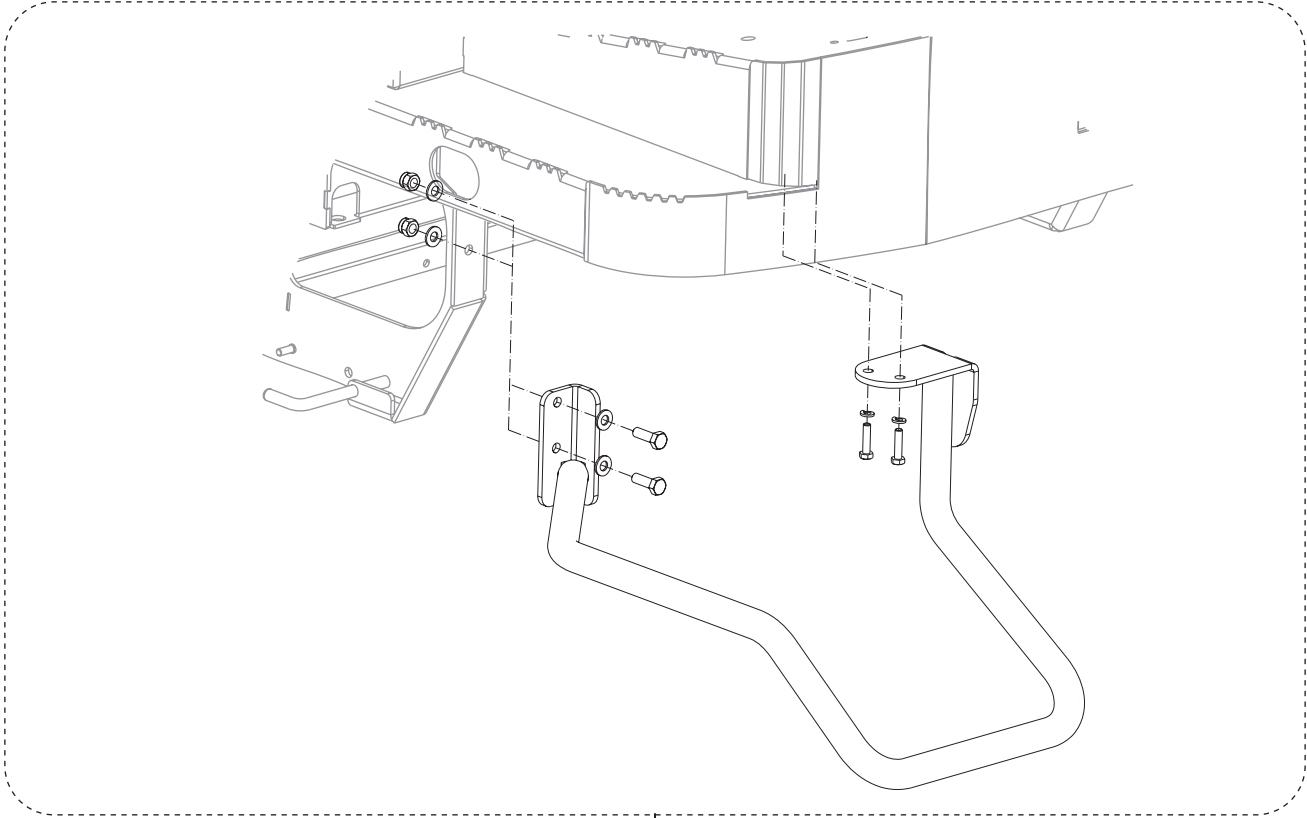
KIT	ITEM	REF. NO.	QTY	DESCRIPTION
	1	33004366	1	SCREW M8X25 CAP HD HEX SOCK ISO4762
	2#	33023223	1	WASHER M8 UNI1751B 10 PCS SET
	3	33005843	2	WASHER M10 UNI1751B
	4	1464981000	1	VALVE BLOCK
	5	1464233000	1	BRACKET FOR HYDRAULIC UNIT
	6	1465095000	1	GASKETS FOR PISTON KIT
K1	7		1	HOSE HYDRAULIC
K1	8		1	HOSE HYDRAULIC
	9	1464247000	1	PIN LOWER CILYNDER
	10	33020367	1	CLAMP HOSE D.25
K1	11		2	BANJO BOLT 1/8 G
	12	145 5742 000	2	SCREW M10X20 CAP HD HEX SOCK ISO4762
K1	13		4	WASHER 1/8
	14	1465177000	1	GEARCASE HYDRAULIC 12V-24V
	15	1464920000	1	CYLINDER KIT
	16	1465096000	1	GASKETS FOR CYLINDER HEAD KIT
	17	1465097000	1	CYLINDER FIXING KIT
K1	1464919000		1	HOSES HYDRAULIC WITH HARDWARE KIT

BATTERIES



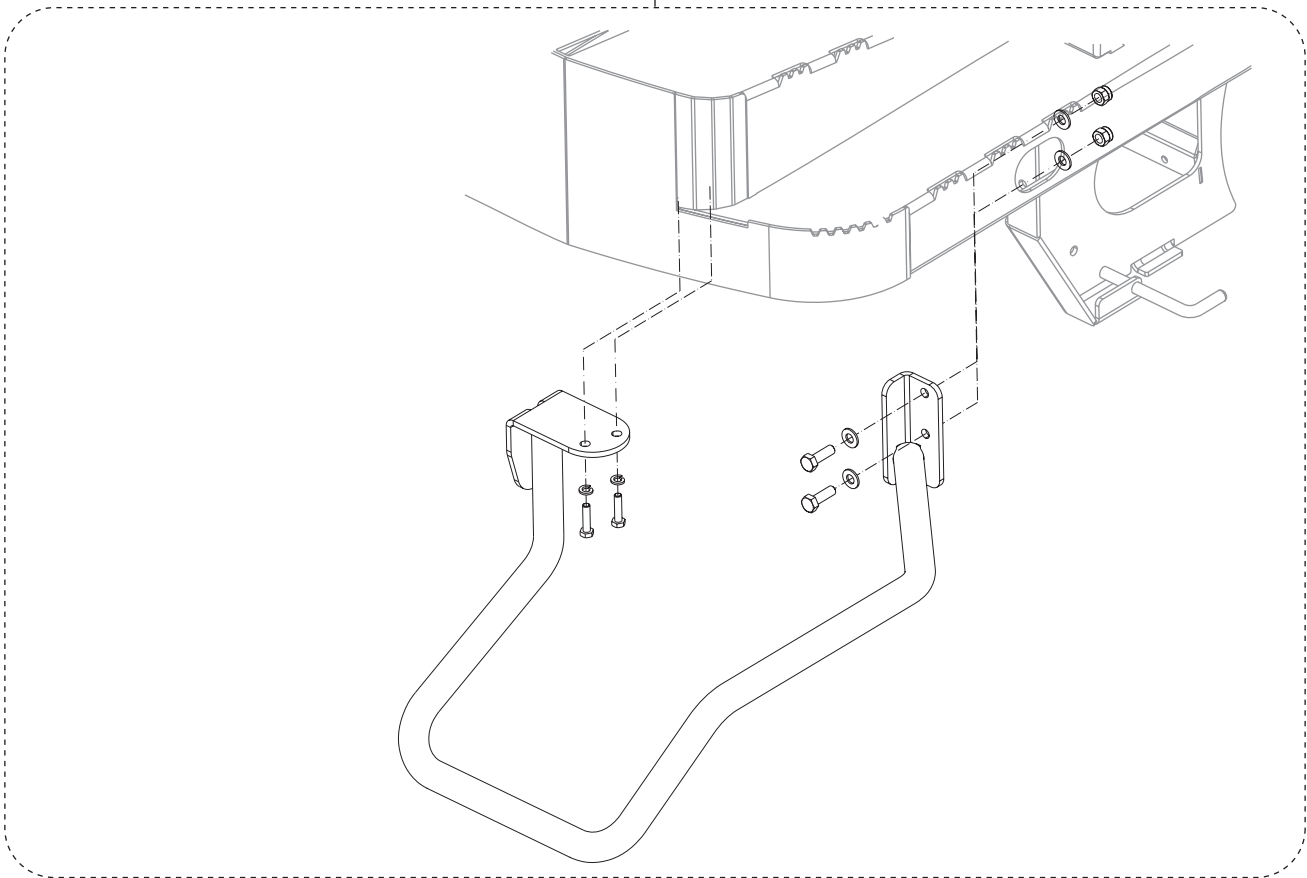
KIT	ITEM	REF. NO.	QTY	DESCRIPTION	DESCRIZIONE
BATTERIES					
	1*	80565000	4	BATTERY 6V-255AH WET SEMI T MONOBLOC	
	1*	80564000	4	BATT. 6V-180AH GEL MONOBLOC	
	1*	80564100	4	BATT. 6V-240AH GEL MONOBLOC	
	2	145 4692 000	1	CONTAINER BATTERY	5110-5120
	3	145 6063 000	2	CONNECTOR 175A RED	
	4	1464408000	1	HARNESS BATTERY	
	5	146 0668 000	4	PANEL INSULATING	
	6*	80565200	1	BATTERY TRACTION 24V 360 AH	
	6*	80565300	1	BATTERY TRACTION 24V 330 AH GEL	
	7*	1465171000	1	BRACKETS BATTERY FIXING KIT	
	8	1465179000	1	HARNESS FOR BATTERY TRACTION	

GUARD LEFT/RIGHT SIDE BROOM



K1

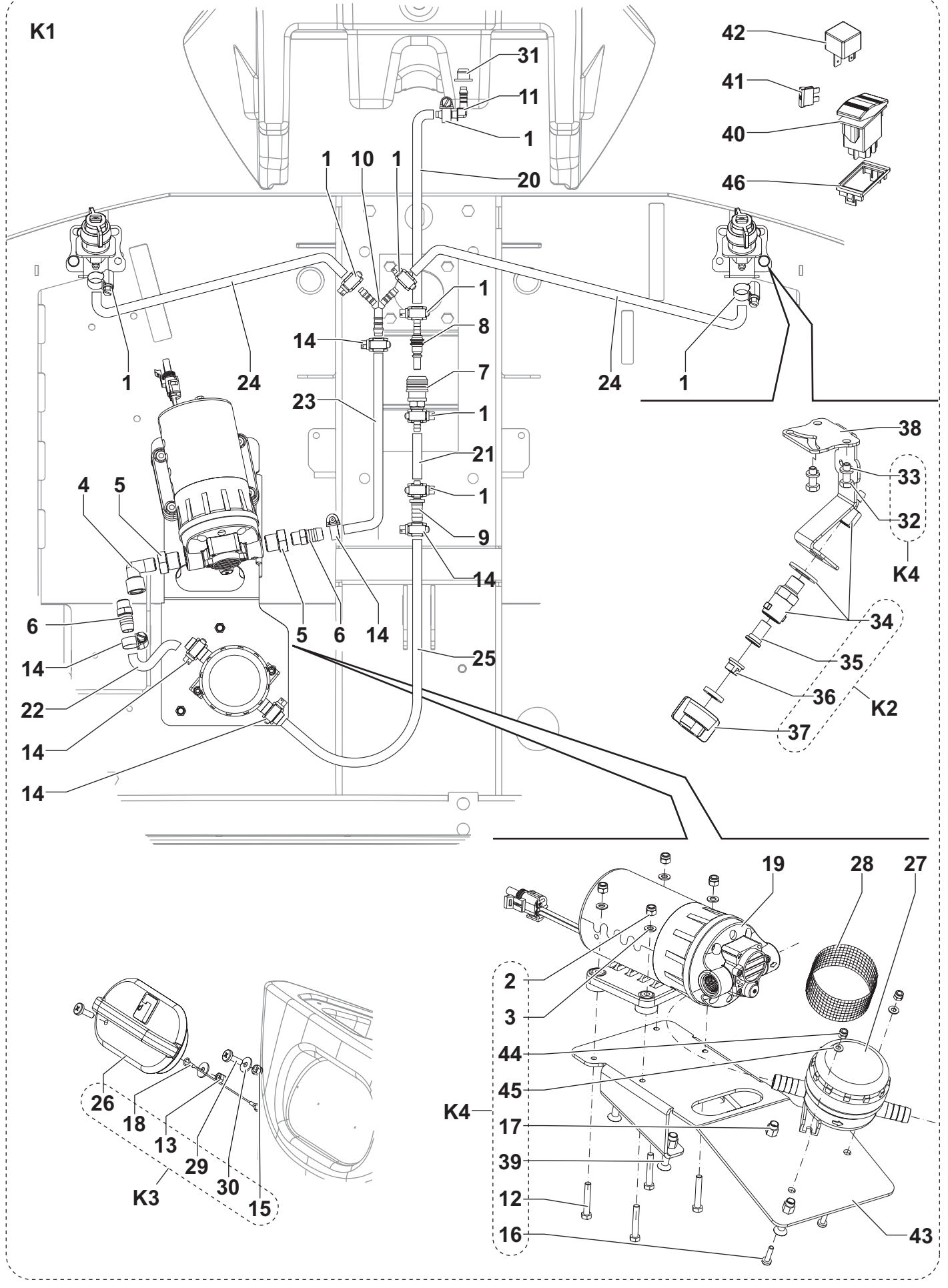
K2



GUARD LEFT/RIGHT SIDE BROOM

KIT	ITEM	REF. NO.	QTY	DESCRIPTION
	K1	1464958000	1	GUARD RIGHT SIDE BROOM KIT
	K2	1464959000	1	GUARD LEFT SIDE BROOM KIT

ACCESSORIES

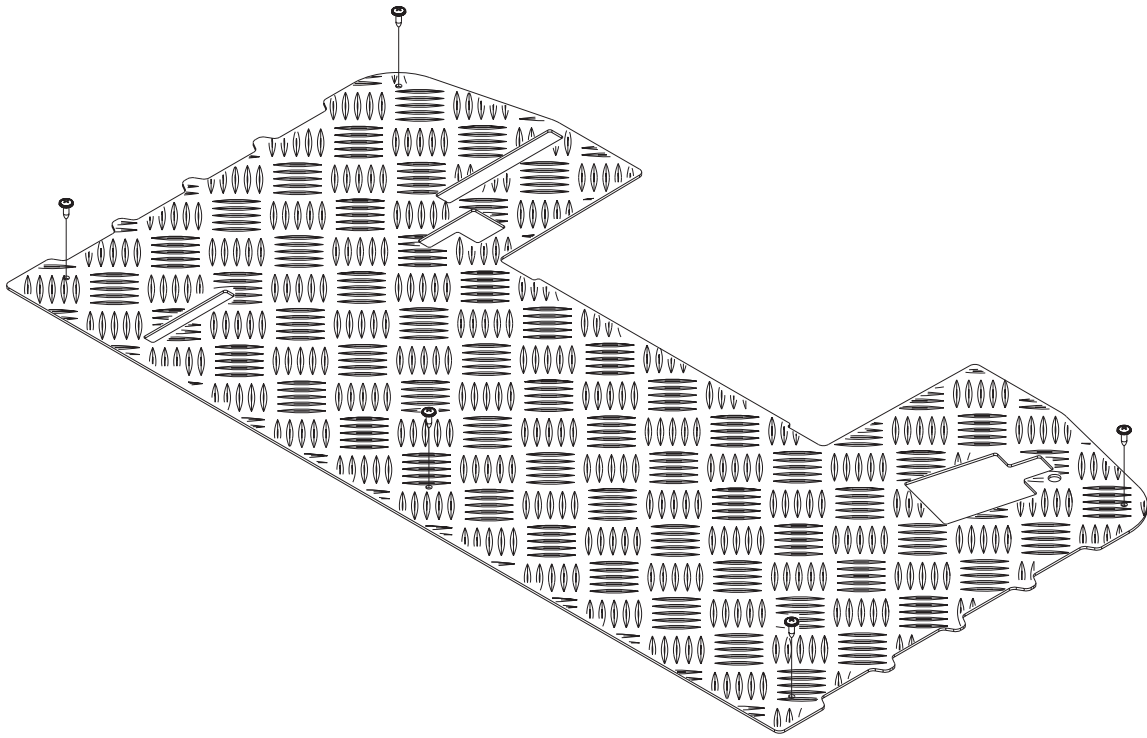


ACCESSORIES

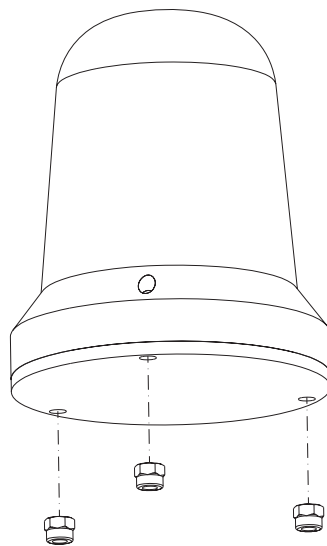
KIT	ITEM	REF. NO.	QTY	DESCRIPTION
K5	1		8	CLAMP
K4	2		4	NUT SELF L. M5 UNI7473
K4	3		4	WASHER M5 UNI6592
K6	4		1	FITTING 90 M-F 1/4
K6	5		2	REDUCTION GEAR MF 3/8 1
K6	6		2	RUBBER SEAL HOLDER 1/4 D
K1	7#	1465915000	1	CONNECTOR FEMALE
K1	8#	1465916000	1	CONNECTOR MALE
K6	9		1	FITTING
K6	10		1	ELBOW Y D.6-8-6
K6	11		1	ELBOW 90. D. 8 NYLON
K4	12		4	SCREW M5X30 HEX HD F/THD ISO4017
K3	13		1	NUT HEX M6 UNI5721 SS
K5	14		6	CLAMP 8/ 9-16
K3	15		1	NUT SELF L. M6 UNI7473 SS
K4	16		2	SCREW M4X16 PAN HD PHIL SS ISO7045
K4	17		6	CONNECTOR MALE 2 WAYS
K3	18		1	CABLE OPENING CAP
K1	19#	1465647000	1	PUMP WATER KIT
K5	20		1	MISTING HOSE L=130MM
K5	21		1	MISTING HOSE L=80MM
K5	22		1	HOSE POLYESTER YARN REINFORC. D.10
K5	23		1	MISTING HOSE L=300MM
K5	24		2	MISTING HOSE L=640MM
K5	25		1	MISTING HOSE L=650MM
K3	26		1	CAP SOLUTION TANK
K1	27#	9100000860	1	FILTER WATER PKD
K1	28#	9100000861	1	NET WATER FILTER REINFORCED PKD
K3	29		2	SCREW M6X20 BUTTON HD GALV BLACK
K3	30		2	WASHER 6X18X1.5 UNI6593 SS
K6	31		1	GROMMET D.18 TYPE P WS6
K4	32		4	SCREW M6X16 HEX HD F/THD ISO4017
K4	33		4	WASHER M6 UNI1751B
K2	34	33020865	2	ADAPTER SPRAY KIT
K2	35	33022026	2	CHECK VALVE FILTER
K2	36	33020816	2	NOZZLE SPRAY DIAM 0.33 S.S.
K2	36	33022072	2	NOZZLE SPRAY 0.53 BRASS
K2	37	33020817	2	RING NUT QUICK COUPLING
K1	38	1464473000	2	SUPPORT NOZZLES
K4	39		6	SCREW FLAT SOCKET HEAD M6X20.0
K1	40	1465180000	1	SWITCH 2 POSITIONS STABLE
K1	41	145 9852 000	1	FUSE BLADE 5A UL
K1	42	1464289000	1	RELAIS 24V 20/30A
K1	43	1465172000	1	PLATE FOR PUMP WATER
K4	44		2	NUT SELF L. M4 UNI7473
K4	45		2	WASHER M4 UNI6592
K1	46	146 2089 000	1	MATCHER F FIXING HOLE 22x44
	K1*	1465611000	1	GUARD KIT
		1465419000	1	INSTALLATION INSTRUCTION
K1	K2	33019324	2	NOZZLE SPRAY KIT
K1	K3	1465355000	1	CAP SOLUTION TANK KIT
K1	K4	1465356000	1	HARDWARE DUSTGUARD KIT
K1	[K5]	1465357000	1	HOSES POLYESTER DUSTGUARD KIT
K1	[K6]	1465358000	1	FITTINGS AND REDUCTIONS DUST GUARD KIT

ACCESSORIES

K1



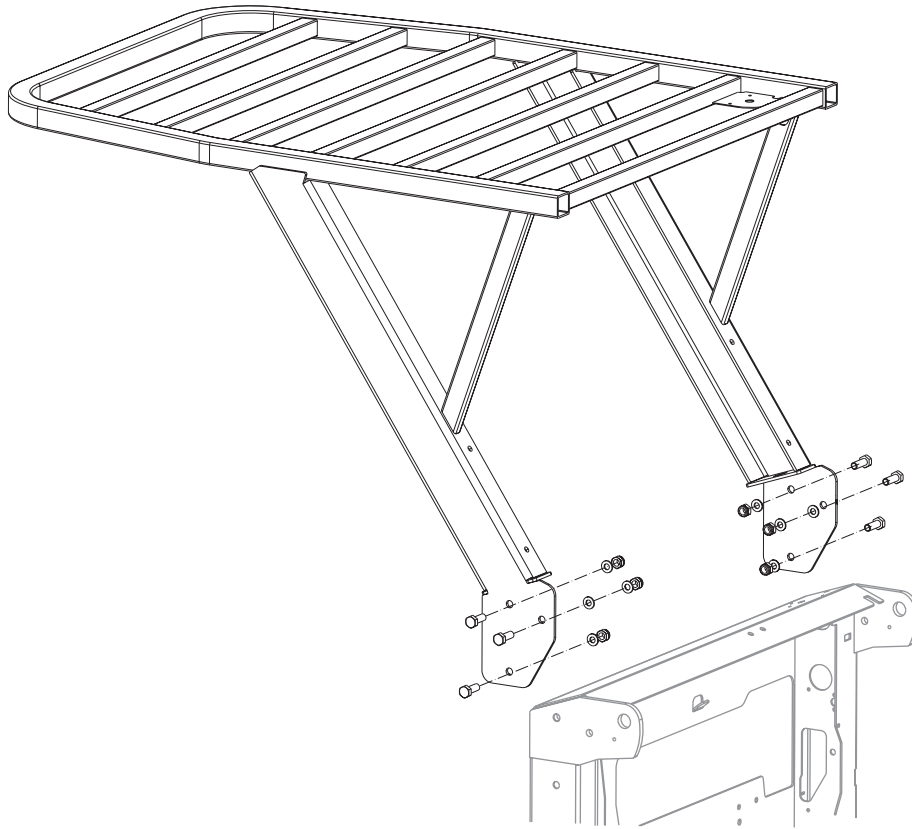
K2



ACCESSORIES

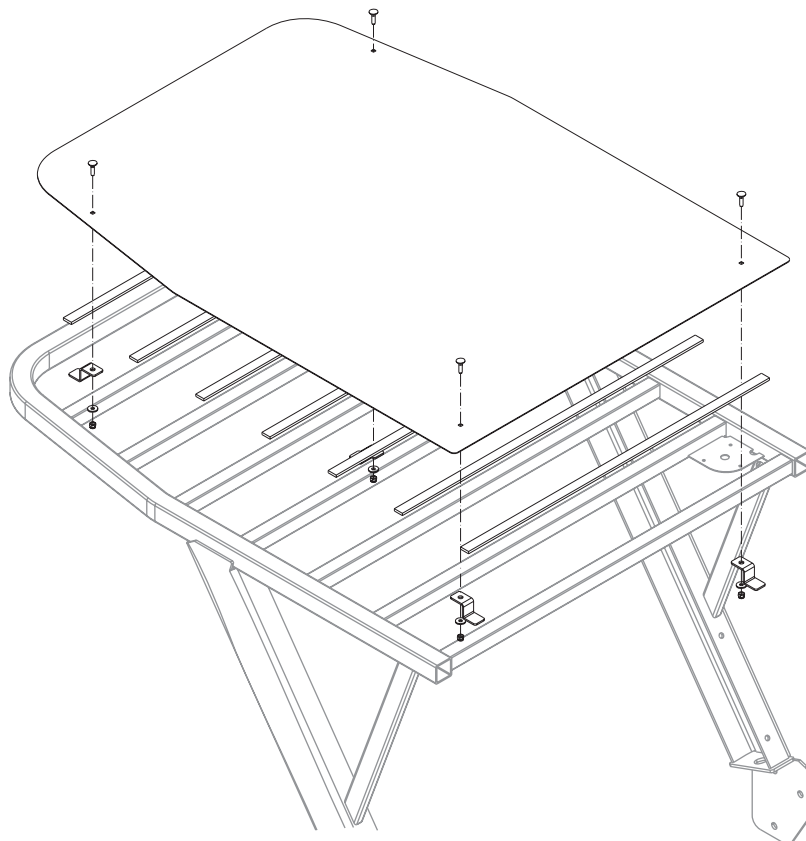
KIT	ITEM	REF. NO.	QTY	DESCRIPTION
	K1*	1464957000	1	MAT FLOOR KIT
	K2*	1464948000	1	BEACON KIT
		1465248000	1	INSTRUCTIONS INSTALL. KIT 1464948000

ACCESSORIES



K1

K2

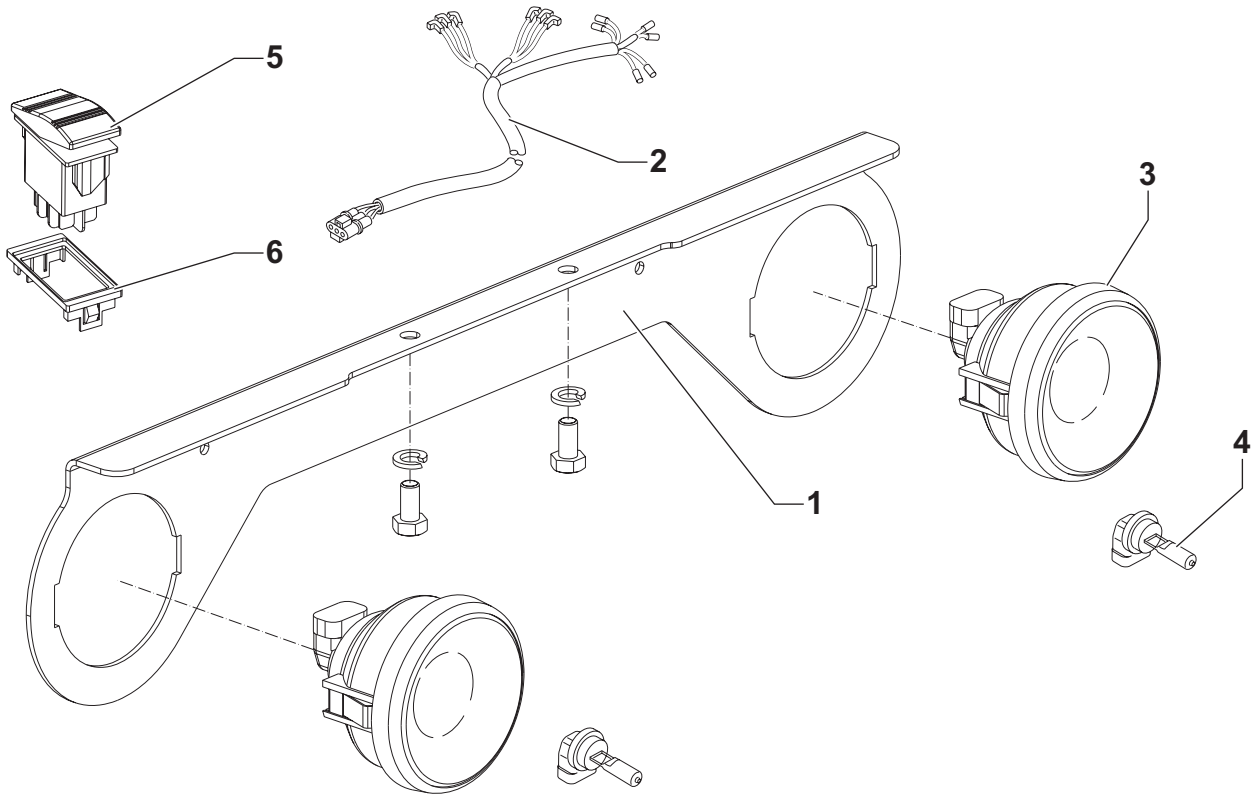


ACCESSORIES

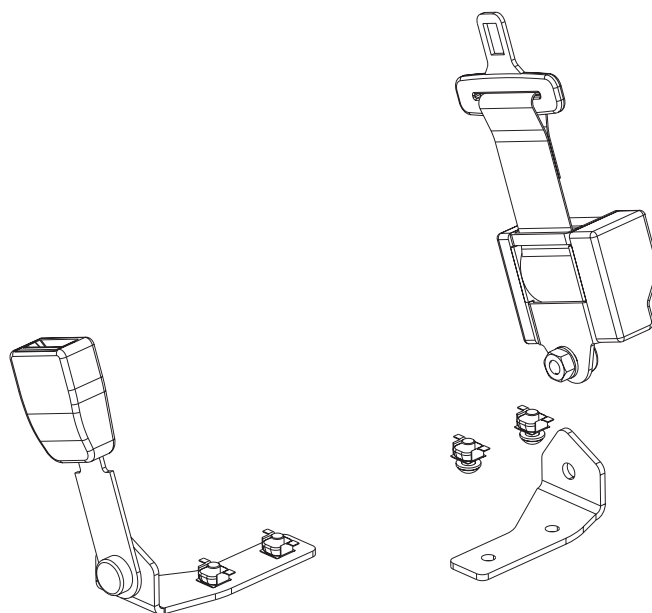
KIT	ITEM	REF. NO.	QTY	DESCRIPTION
	K1*	1464952000	1	OVERHEAD GUARD KIT
		1465246000	1	INSTRUCTIONS INSTALL. KIT 1464952000
	K2*	1464956000	1	CANOPY KIT
		1465247000	1	INSTRUCTIONS INSTALL. KIT 1464954000

ACCESSORIES

K1



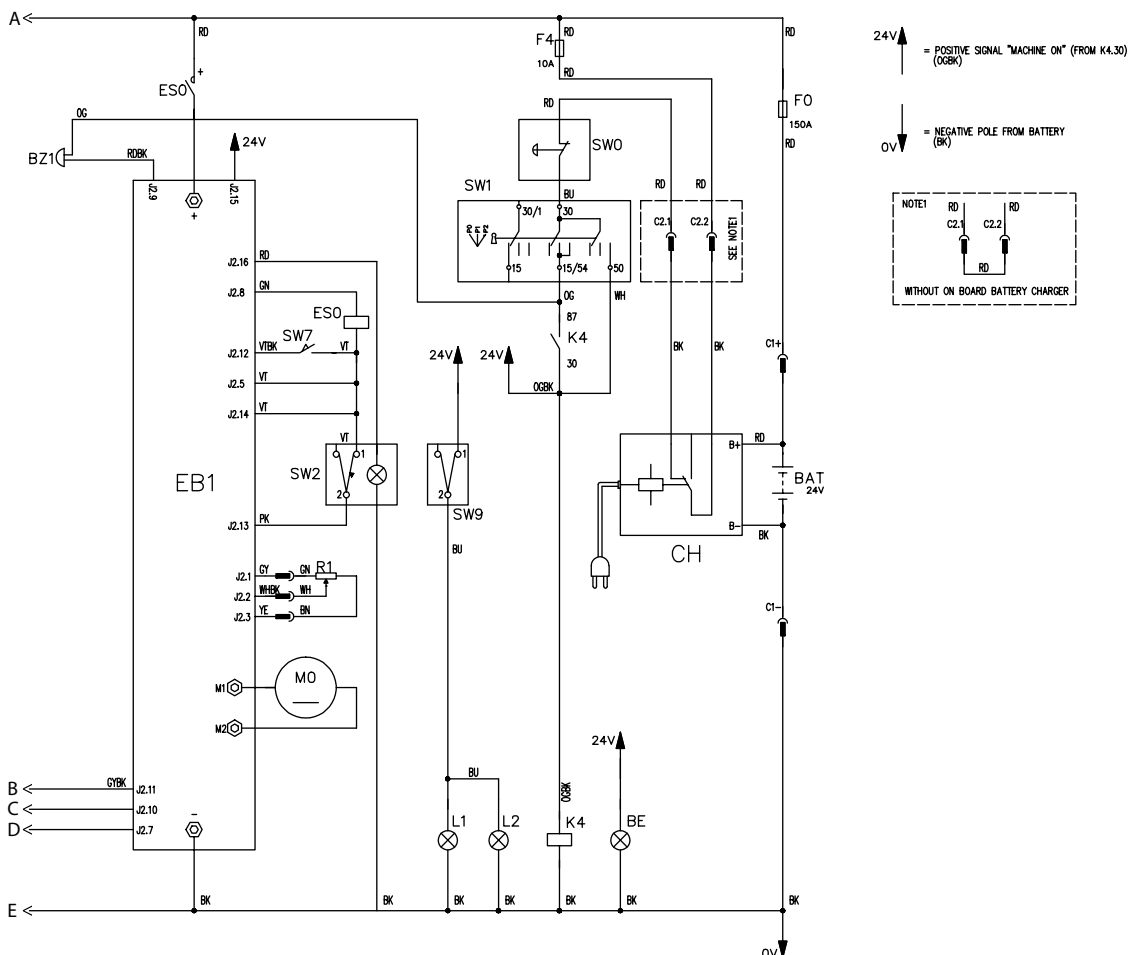
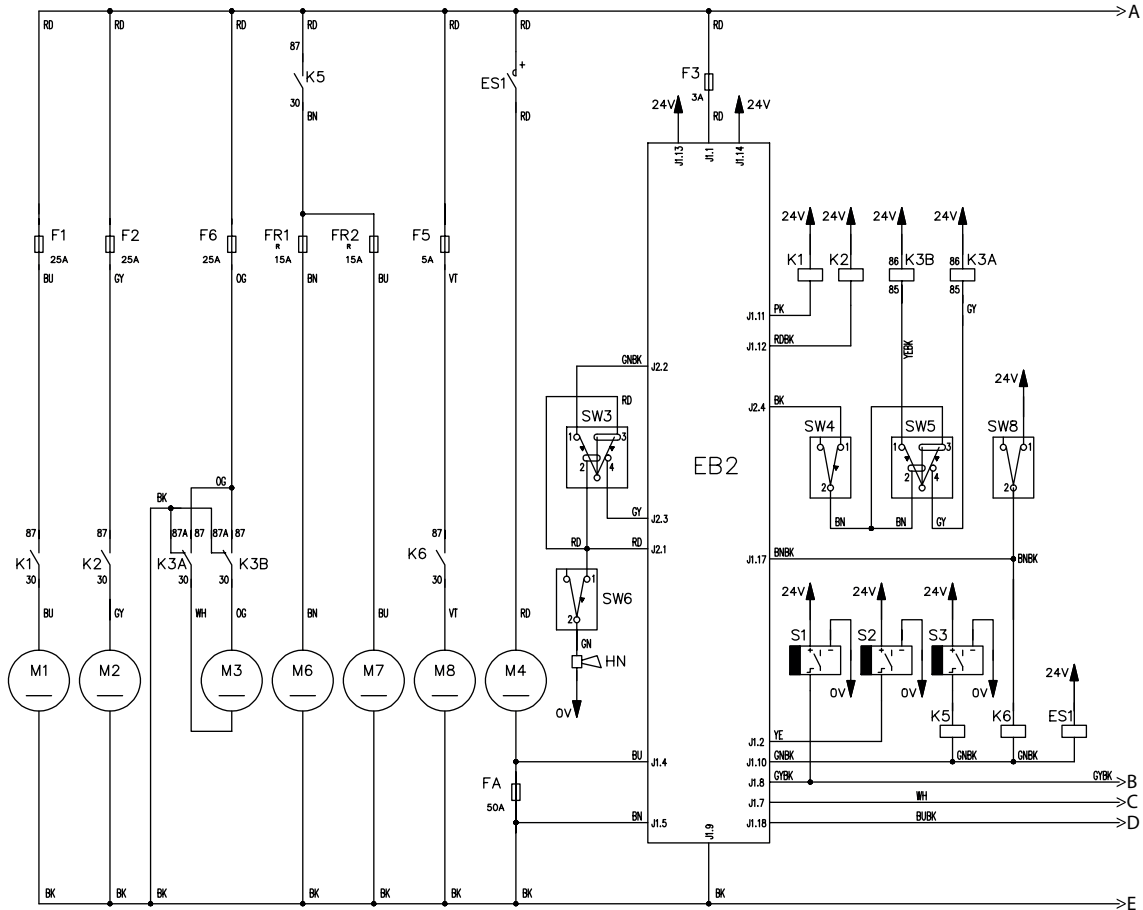
K2



ACCESSORIES

KIT	ITEM	REF. NO.	QTY	DESCRIPTION
K1	1	1464465000	1	BRACKET FRONT LIGHT
K1	2#	1466359000	1	HARNESS WORK LIGHTS PKD
K1	3	33019229	2	HEADLIGHT 24V
K1	4	33019734	2	LAMP 24V 70W
K1	5#	1466360000	1	SWITCH 2 POSITIONS KIT
K1	6	146 2089 000	1	MATCHER F FIXING HOLE 22x44
	K1*#	1465421000	1	LIGHTS FRONT KIT 24V 70W
		1465422000	1	INSTRUCTIONS INSTALL. KIT 1465421000
	K2*	1464954000	1	BELTS SAFETY KIT
		1465248000	1	INSTRUCTIONS INSTALL. KIT 1464948000
	[K3*]	33019556	1	ARMREST RT SEAT KIT
		33019211	1	INSTRUCTIONS INSTALL. KIT 33019556
	[K4*]	1464960000	1	ARMREST LT SEAT KIT
		1465249000	1	INSTRUCTIONS INSTALL. KIT 1464960000

WIRING DIAGRAM



WIRING DIAGRAM

KEY	REF. NO.	DESCRIPTION
BAT		24V BATTERIES
BZ1	909 6126 000	BUZZER 5-32V
BE	1464948000	BEACON KIT
C1	145 6063 000	CONNECTOR 175A RED
CH		BATTERY CHARGER
EB1	1466210000	CONTROLLER DRIVE WHEEL PKD
EB2	1466211000	CARD ELECTRONIC CONTROL PANEL PKD
ES0	1464982000	SWITCH ELECTROMAGNETIC 24V 120A
ES1	9097208000	SWITCH ELECTROMAGNETIC 24V
FA	145 9854 000	FUSE 50A
F0	146 0840 000	FUSE MEGAFUSE 150A
F1	145 8514 000	FUSE BLADE 25A
F2	145 8514 000	FUSE BLADE 25A
F3	9100000878	FUSE BLADE 3A PKD
F4	146 0068 00	FUSE BLADE 10A
F5	145 9852 000	FUSE BLADE 5A UL
F6	145 8514 000	FUSE BLADE 25A
FR1	1464336000	CIRCUIT BREAKER 15A
FR2	1464336000	CIRCUIT BREAKER 15A
HN	145 8881 000	HORN 24V
K1	909 6622 000	RELAY 24V 40A
K2	909 6622 000	RELAY 24V 40A
K3A	1464289000	RELAIS 24V 20/30A
K3B	1464289000	RELAIS 24V 20/30A
K4	1464289000	RELAIS 24V 20/30A
K5	1464289000	RELAIS 24V 20/30A
K6	1464289000	RELAIS 24V 20/30A
L1, L2	33019229	HEADLIGHT 24V
M0	1464913000	MOTORWHEEL KIT
M1	1463374000	FAN RADIAL 24V
M2	145 5539 000	MOTOR FILTER SHAKER 90W 24V
M3	1465177000	GEARCASE HYDRAULIC 12V-24V
M4	1464444000	MOTOR MAIN BROOM 24V 600W
M6	1464241000	GEARMOTOR FOR RIGHT SIDE BROOM
M7	1464242000	GEARMOTOR LEFT SIDE BROOM
M8	1465647000	PUMP WATER KIT
R1	1464425000	ACCELERATOR ELECTRONIC
S1	33018521	SWITCH BACK UP PROXIMITY
S2	33018521	SWITCH BACK UP PROXIMITY
S3	33018521	SWITCH BACK UP PROXIMITY
SW0	146 1727 000	SWITCH EMERGENCY
SW1	33020442	KEY START ASSY WITH SPAREKEY KIT
SW2	1465178000	SWITCH 2 POSITIONS 1 MOMENTARY
SW3	146 2088 000	SWITCH 3 POSITIONS
SW4	146 2087 000	SWITCH MOMENTARY
SW5	146 2088 000	SWITCH 3 POSITIONS
SW6	146 2087 000	SWITCH MOMENTARY
SW7		DRIVER'S SEAT SAFETY MICROSWITCH
SW8	1465180000	SWITCH 2 POSITIONS STABLE
SW9	1466360000	SWITCH 2 POSITIONS KIT

KEY	COLOUR
BK	BLACK
BU	LIGHT BLUE
BN	BROWN
GN	GREEN
GY	GREY
OG	ORANGE

KEY	COLOUR
PK	PINK
RD	RED
VT	VIOLET
WH	WHITE
YE	YELLOW

RECOMMENDED SPARE PARTS

REF. NO.	QTY	DESCRIPTION
NORMAL WEAR		
33018521	3	SWITCH BACK UP PROXIMITY
ORDINARY MAINTENANCE		
33020442	1	KEY START ASSY WITH SPAREKEY KIT
EXTRAORDINARY MAINTENANCE		
33006165	1	RING D 35 UNI7437
33019229	2	HEADLIGHT 24V
33019324	2	NOZZLE SPRAY KIT
33019734	2	LAMP 24V 70W
33020816	2	NOZZLE SPRAY DIAM 0.33 S.S.
33022026	2	CHECK VALVE FILTER
33022072	2	NOZZLE SPRAY 0.53 BRASS
1463356000	2	SPRING TRACTION CARBON STEEL
1463358000	2	SPRING GAS 40KG
1463374000	1	FAN RADIAL 24V
1463916000	1	PLATE FRONT SKIRT
1464181000	1	BUSHING SUPPORT LEVER
1464189000	1	FILTER PANEL POLYESTER ULTRA WEB BLUE
1464198000	1	GASKET BULB RUBBER L.2200MM PKD
# 1466210000	1	CONTROLLER DRIVE WHEEL PKD
1464219000	1	SPRING LOCK BRAKE
1464241000	1	GEARMOTOR FOR RIGHT SIDE BROOM
1464242000	1	GEARMOTOR LEFT SIDE BROOM
# 1466211000	1	CARD ELECTRONIC CONTROL PANEL PKD
1464266000	1	BELT HTD 825-5M
1464275000	1	SKIRT REAR RECYCLE
1464276000	1	PLATE REAR SKIRT FIXING
1464277000	1	PLATE REAR SKIRT
1464278000	2	PLATE SIDE KIRT FIXING
1464289000	4	RELAIS 24V 20/30A
1464336000	1	CIRCUIT BREAKER 15A
1464337000	1	FLAP METAL FRONT
1464413000	1	CABLE MAIN BROOM
1464414000	1	CABLE RIGHT SIDE BROOM
1464415000	1	CABLE LEFT SIDE BROOM
1464425000	1	ACCELERATOR ELECTRONIC
1464431000	1	SPRING BRAKE
1464444000	1	MOTOR MAIN BROOM 24V 600W
1464465000	1	BRACKET FRONT LIGHT
1464476000	2	KNOB BLACK/YELLOW
1464497000	1	SKIRT FRONT
1464498000	1	SPARK PLUG BPR6ES
1464535000	1	GASKET RUBBER L.1430MM PKD
1464794000	2	LOCK WITH KEY FOR HATCH
1464803000	1	DISC BRAKE
1464804000	1	CALIPER BRAKE COMPLETE KIT
9096960000	1	CARBON BRUSHES KIT 4+2 PCS
1464919000	1	HOSES HYDRAULIC WITH HARDWARE KIT
1464920000	1	CYLINDER KIT
1464921000	1	ROD FOR FLAP KIT
# 1466359000	1	HARNESS WORK LIGHTS PKD
1464982000	1	SWITCH ELECTROMAGNETIC 24V 120A
# 1466139000	1	PULLEY HTD KIT
1464990000	1	HUB MAIN BROOM
1465037000	1	PIN HOPPER BEARING KIT
1465040000	1	HARDWARE FRONT FLAP KIT
1465049000	1	KNOB SIDE BROOM KIT
1465052000	1	HARDWARE MAIN BROOM HUB KIT
1465095000	1	GASKETS FOR PISTON KIT

RECOMMENDED SPARE PARTS

	REF. NO.	QTY	DESCRIPTION
	1465096000	1	GASKETS FOR CYLINDER HEAD KIT
#	1465647000	1	PUMP WATER KIT
	1465177000	1	GEARCASE HYDRAULIC 12V-24V
	1465273000	1	CABLE LOCK RELEASE
	1465281000	2	BEARING SLEEVE IGLIDUR MSM-1622-15
	1465314000	1	RING FOR MOTORWHEEL KIT
	1465355000	1	CAP SOLUTION TANK KIT
	1465356000	1	HARDWARE DUSTGUARD KIT
	1465357000	1	HOSES POLYESTER DUSTGUARD KIT
	1465358000	1	FITTINGS AND REDUCTIONS DUST GUARD KIT
	1465390000	1	CABLE BRAKE KIT
	1465396000	1	SKIRTS KIT
	146 2088 000	1	SWITCH HOPPER RAISING KIT
	146 2087 000	1	SWITCH HOPPER LEAD KIT
	1465178000	1	SWITCH FW RW KIT
	1465180000	1	SWITCH DUST GUARD KIT
	9096959000	1	BEARING BALL KIT
	9096969000	4	SWITCH ELECTROMAGNETIC 24V
	9097208000	1	CAP WITH GASKET
	9097404000	1	FILTER WATER
	145 0269 000	1	HUB LEFT MAIN BROOM
	145 0270 000	1	BEARING BALL 6001 2RS
	145 0271 000	1	SPRING
	145 5125 000	2	CARBON BRUSH
	145 5539 000	1	MOTOR FILTER SHAKER 90W 24V
#	9100000878	1	FUSE BLADE 3A
	145 8415 000	2	BEARING BALL 6003 2RS
	145 8513 000	3	FUSE BLADE 25A
#	1466319000	1	JOINT UNIVERSAL D.17
	145 9852 000	1	FUSE BLADE 5A UL
	145 9854 000	1	FUSE 50A
	146 0068 00	1	FUSE BLADE 10A
	146 0329 000	2	WHEEL NON MARKING
	146 0840 000	1	FUSE MEGAFUSE 150A
	146 2087 000	1	BUTTON
	146 2088 000	1	BUTTON
	146 0903 000	2	BEARING FLANGE IGLIDUR GFM-1517-12
	146 0986 000	1	SPRING
	1465180000	1	SWITCH ROCKER W/ WORK LIGHT LEN KIT
	146 1317 000	1	SPRING
	146 1727 000	1	SWITCH EMERGENCY
	146 1728 000	1	CONTACT. NC.
	146 1876 000	2	WHEEL SOLID 4.00-4 BLACK
	146 2471 000	8	KNOB KNURLED M6 FEMALE
#	9099481000	1	NET WATER FILTER REINFORCED
	909 6622 000	2	RELAY 24V 40A
	L08603949	1	CARBON BRUSHES KIT 4 PCS
	1464805000	1	PADS BRAKE KIT
	1465055000	1	PULLEY MAIN BR. MOTOR KIT
	1464982000	1	SWITCH ELECTROMAGNETIC 24V 120A

OPTIONALS

REF. NO.	QTY	DESCRIPTION
1464951000	1	SKIRTS NON MARKING KIT
146 0329 000	2	WHEEL NON MARKING
1465313000	1	WHEELS REAR SOLID NON MARKING KIT
1465170000	1	WHEEL TRACTION NON MARKING KIT
1464955000	1	TYRE DRIVE FRONT NON MARKING
1465318000	1	BROOM SIDE D.450MM MIX STEEL KIT
1465319000	1	BROOM SIDE D.450 MIX 5 KIT
1463854000	1	BROOM MAIN 340X700MM MIX 5
1464947000	1	MAIN BROOM 340X700 MIX STEEL
1464839000	1	FILTER PANEL POLYESTER ULTRA WEB BLUE
1465402000	1	FILTER PANEL PAPER OPEN FINE DUST
1465403000	1	FILTER PANEL POLYESTER OPEN FINE DUST
80565000	4	BATTERY 6V-255AH WET SEMI T MONOBLOC
80564000	4	BATT. 6V-180AH GEL MONOBLOC
80564100	4	BATT. 6V-240AH GEL MONOBLOC
80565200	1	BATTERY TRACTION 24V 360 Ah
80565300	1	BATTERY TRACTION 24V 330 Ah GEL
1465171000	1	BRACKETS BATTERY FIXING KIT
1465418000	1	DUSTGUARD KIT
1464952000	1	OVERHEAD GUARD KIT
1464956000	1	CANOPY KIT
# 1465421000	1	LIGHTS FRONT KIT 24V 70W
1464954000	1	BELTS SAFETY KIT
33019556	1	ARMREST RT SEAT KIT
1464960000	1	ARMREST LT SEAT KIT



Advance

14600 21st Avenue North
Plymouth, MN 55447-3408

www.advance-us.com

Phone: 800-989-2235

Fax: 800-989-6566

©2015 Nilfisk-Advance, Inc.

A Nilfisk-Advance Brand