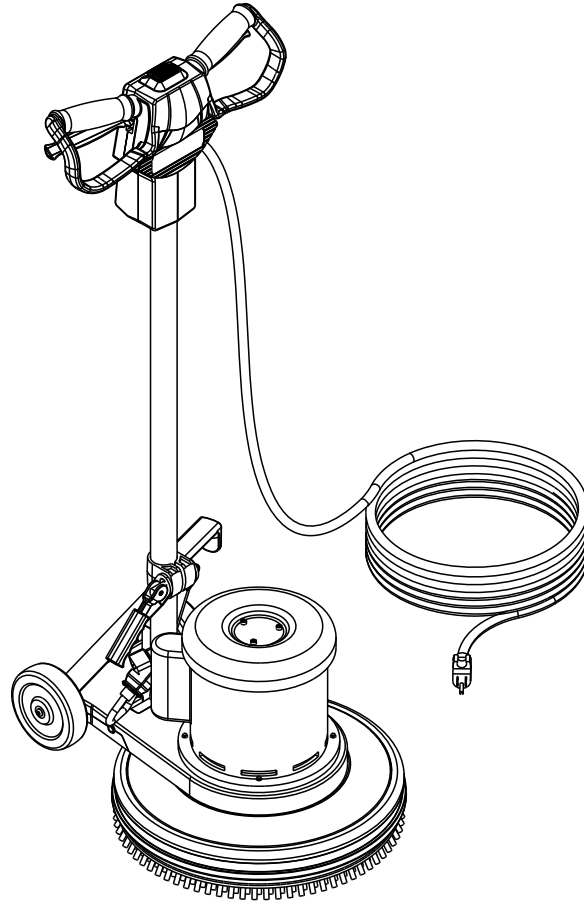


Pacesetter™ 13, 17, 20

Pacesetter™ 17HD, 20HD

Pacesetter™ 20TS, 20SD



PARTS LIST

Active Models: 01330A (17HD), 01410A (20HD),
01440A (20TS), 01460A (20SD), 56383336 (17HD)

Obsolete Models: 01282A (13), 01290A (17), 01290C (17), 01370C (20), 01290M (17)
01330C (17HD), 01370A (20), 01410C (20HD), 56383337 (20HD)

This parts list is for machines after serial number HB



Advance

7/2005 revised 5/2016 FORM NO. 71051A REV C

TABLE OF CONTENTS

DESCRIPTION	PAGE
Optional Accessories.....	3
Assembly Drawing	4-5
Wiring Diagrams.....	6
Motor Schematics (120V).....	7
Motor Schematics (230V).....	7

WHEN ORDERING PARTS

- * Use the part numbers from the "Ref. No." columns in this parts list.
- * Specify the model and serial number of the machine.
- * Use the space below to record the model and serial number for future reference.

Model _____ Serial No. _____

OPTIONAL ACCESSORIES

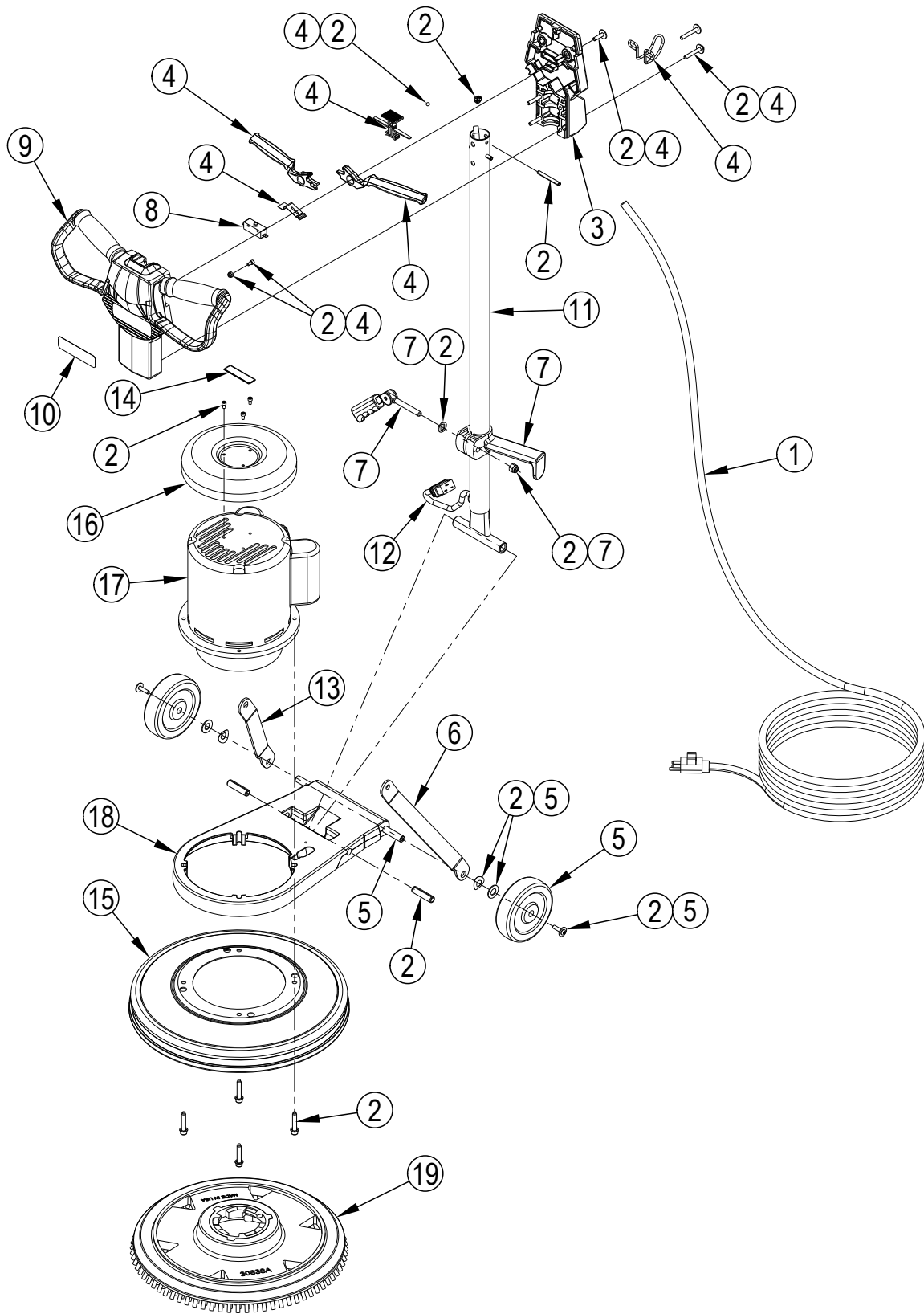
Item	Ref. No.	Qty	Description
	56172313		Splash Guard Assembly (20 Models)
	53853A		Solution Tank Kit (All Models)
	11022A		Weight Kit (HD Models only)
#	56384734		15 Inch Hardwood Tool Assy NOTE 1
#	56384735		Blade Kit-Wood (6 Piece Kit)
#	56384736		Skirt-Dust-17 Inch (17 Models)
#	56384737		Skirt-Dust-20 Inch (20 Models)
#	56384738		Driver-Sand Paper-HD-16 Inch
	56020194		Bassine Brush 13
	30766A		Brush 13 Union Mix
	30767A		Brush 13 Steel Wire
	30768A		Brush Poly Scrub C2K-130
	56020309		Nylon Medium Grit Brush 13
	56505910		Short-Trim Pad Holder 17 (w/pad centering device)
	56505270		Level-Set Pad Holder 17
	56505915		ProLite™ Brush 17
	56505914		Prolene Brush 17
	56505911		MagnaGrit™ 46 Brush 17
	56505912		DynaGrit™ 80 Brush 17
	56505918		MidLite Grit™ 180 Brush 17
	56505917		MidGrit™ 240 Brush 17
	56505913		AgLite™ 500 Brush 17
	56505916		Union Mix Brush 17
	56505539		Soft-Touch™ Shampoo Brush 17
	56505920		Short-Trim Pad Holder 20 (w/pad centering device)
	56505280		Level-Set Pad Holder 20
	56505925		ProLite™ Brush 20
	56505924		Prolene Brush 20
	56505921		MagnaGrit™ 46 Brush 20
	56505922		DynaGrit™ 80 Brush 20
	56505928		MidLite Grit™ 180 Brush 20
	56505927		MidGrit™ 240 Brush 20
	56505923		AgLite™ 500 Brush 20
	56505926		Union Mix Brush 20
	56505540		Soft-Touch™ Shampoo Brush 20
	56506006		NP-92 Clutch Plate-Nylon Replacement
	56161750		Brown Stripping Pad, 17" (case of 5)
	976054		Pads CS 17 Blue 51 CS=5EA (case of 5)
	56161738		Blue Scrubbing Pad, 20" (case of 5)
	56505019		Pad Centering Unit (includes 56393567) (for use w/56505910 and 56505920)
	56393567		"Big Mouth" Pad Retainer (for use w/56505910 and 56505920)

= Revised or new since last update

NOTE: Pad Holders and Brushes come complete with Industry Standard NP-92 Clutch Plate.

NOTE 1: Hardwood Tool Assembly 56384734 includes; Diamabrush Hardwood Prep Tool, Plastic Riser & Universal Clutch Plate.

ASSEMBLY DRAWING



ASSEMBLY DRAWING

Item	Ref. No.	Qty	Description
1	40760A	1	Cord, Power (120V)
1	40760C	1	Cord, Power (230V)
2	11014A	1	Hardware Kit
3	30644A	1	Handle, Back
4	11016A	1	Trigger Kit
5	11018A	2	Wheel Kit
6	61740A	1	Link Arm, Left
7	11019A	1	Handle Clamp Kit
8	40949A	1	Switch SPSTNO 25A 125VAC ULCSA (120V)
8	40949C	1	Switch, DPST (230V)
9	30643A	1	Handle, Front (120V)
9	30643C	1	Handle, Front (230V)
10	70975A	1	Label, Handle Advance
10	56383335	1	Decal-Handle SERVPRO
11	61373A	1	Handle Tube
12	40774A	1	Cord, Interconnect (120V)
12	40774C	1	Cord, Interconnect (230V)
13	61741A	1	Link Arm, Right
14	71169A	1	Label, Pacesetter 13
14	70978A	1	Label, Pacesetter 17 (120V)
14	70978C	1	Label, Pacesetter 17 (230V)
14	70979A	1	Label, Pacesetter 17HD (120)
14	70979C	1	Label, Pacesetter 17HD (230V)
14	70980A	1	Label, Pacesetter 20 (120V)
14	70980C	1	Label, Pacesetter 20 (230V)
14	70981A	1	Label, Pacesetter 20HD (120V)
14	70981C	1	Label, Pacesetter 20HD (230V)
14	70982A	1	Label, Pacesetter 20TS
14	70983A	1	Label, Pacesetter 20SD
15	11364A	1	Housing Assembly (13)
	61844A	1	Housing (13)
	50972A	1	Bumper (13)
15	11006A	1	Housing Assembly (17)
	61715A	1	Housing (17)
	30381A	1	Bumper (17)
15	11007A	1	Housing Assembly (20)
	61714A	1	Housing (20)
	50784A	1	Bumper (20)
16	61716A	1	Cover, Drip (13, 17, 20, 17HD, 20HD, 20SD)
	61717A	1	Cover, Drip (20TS)

Item	Ref. No.	Qty	Description
17	40761A	1	Motor, (13, 17, 20) (120V/60Hz)
	40694A	1	Start Capacitor (supplied with motor)
	40695A	1	Run Capacitor (supplied with motor)
	53190A	1	Start Switch (supplied with motor)
	53645A	1	Gearbox, (13, 17, 20)
	56380165	1	Coupling (supplied with gearbox)
17	40763A	1	Motor, (17HD, 20HD) (120V/60Hz)
	40694A	1	Start Capacitor (supplied with motor)
	53191A	1	Run Capacitor (supplied with motor)
	53190A	1	Start Switch (supplied with motor)
	53646A	1	Gearbox, (17HD, 20HD)
	56380165	1	Coupling (supplied with gearbox)
17	40764A	1	Motor, (20TS)
#	56384679	1	Brush Assembly Kit NOTE 1
	912287	1	Rectifier (supplied with motor)
	56039285	1	Speed Control (supplied with motor)
	40851A	1	Toggle Switch (supplied with motor)
	53647A	1	Gearbox, (20TS)
	56380165	1	Coupling (supplied with gearbox)
17	40766A	1	Motor, (20SD)
	40694A	1	Start Capacitor (supplied with motor)
	53191A	1	Run Capacitor (supplied with motor)
	53190A	1	Start Switch (supplied with motor)
	53654A	1	Gearbox, (20SD)
	53850A	1	Coupling (supplied with gearbox)
17	40762A	1	Motor (17, 20) (230V/50Hz)
	40694A	1	Start Capacitor (supplied with motor)
	53190A	1	Start Switch (supplied with motor)
	53645A	1	Gearbox, (17, 20)
	56380165	1	Coupling (supplied with gearbox)
17	40765A	1	Motor (17HD, 20HD) (230V/50Hz)
	40694A	1	Start Capacitor (supplied with motor)
	53190A	1	Start Switch (supplied with motor)
	53646A	1	Gearbox, (17HD, 20HD)
	56380165	1	Coupling (supplied with gearbox)
18	21088A	1	Mainframe
19	30758A	1	Pad Driver (13)
19	56505910	1	Pad Holder-17 NP92 Clutch (17)
19	56505920	1	Pad Holder-20 NP92 Clutch (20)

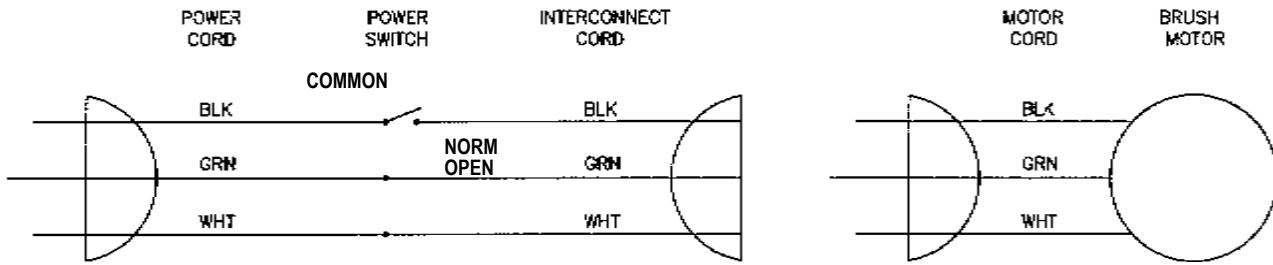
[] = Not Shown

* = Optional, Not Included

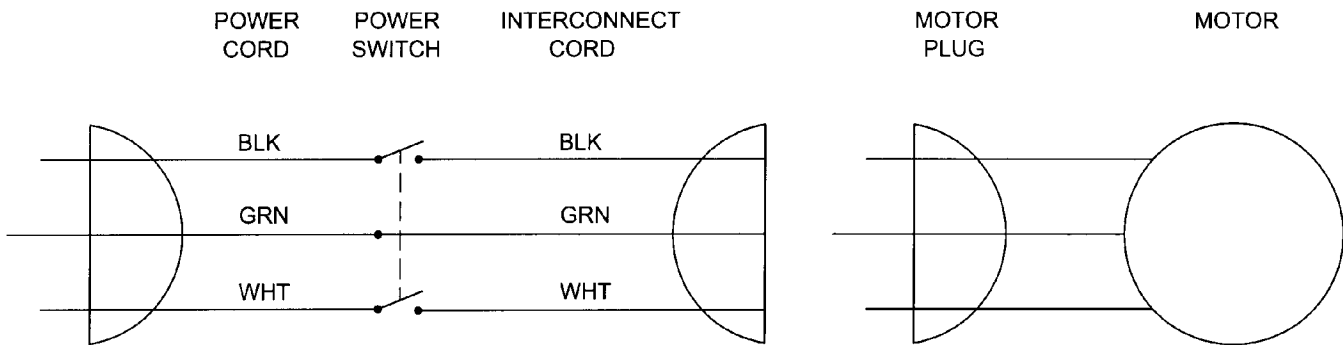
= Revised or new since last update

NOTE 1: Replacement carbon brushes for Motor 40764A. Includes 4 carbon brushes and springs.

120V WIRING DIAGRAM

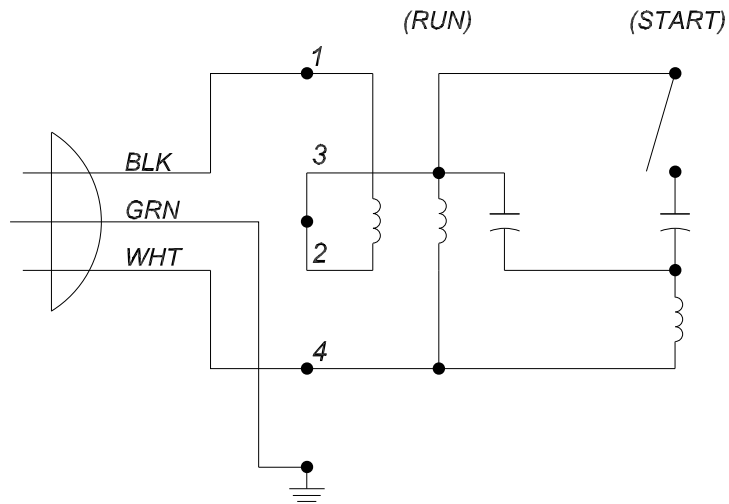


230V WIRING DIAGRAM

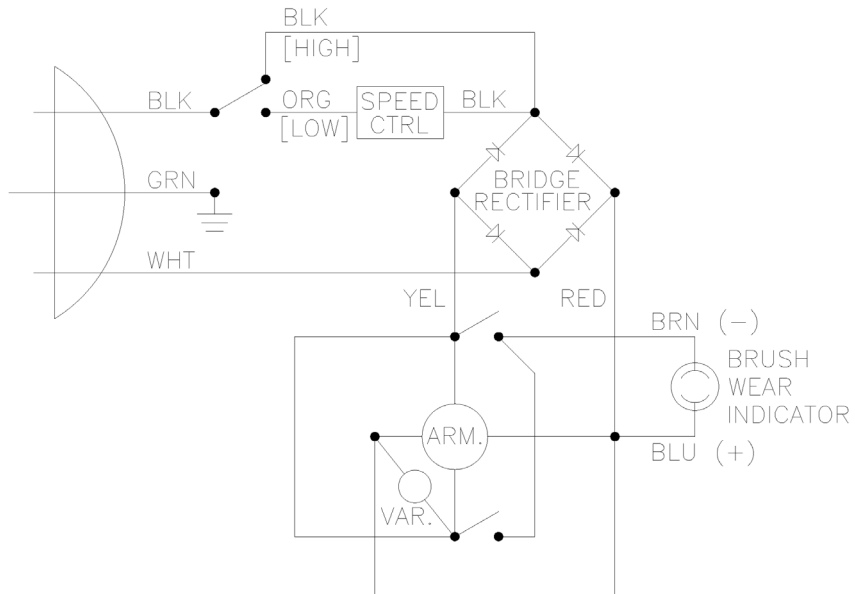


MOTOR SCHEMATICS

All 230V Models (17, 20, 17HD & 20HD) Motor Schematic

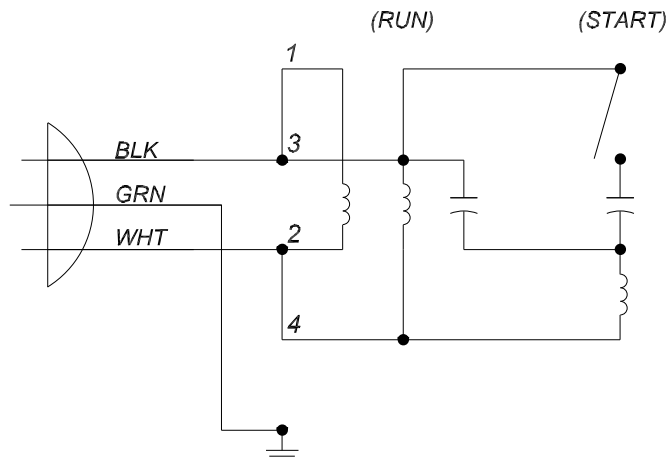


TS Motor Schematic



All 120V Models (except TS) Motor Schematic

ELECTRICAL SCHEMATIC
(120V)





Advance

9435 Winnetka Ave North
Minneapolis, MN 55445
www.advance-us.com
Phone: 800-989-2235
Fax: 800-989-6566
©2016 Nilfisk, Inc.

A Nilfisk Brand