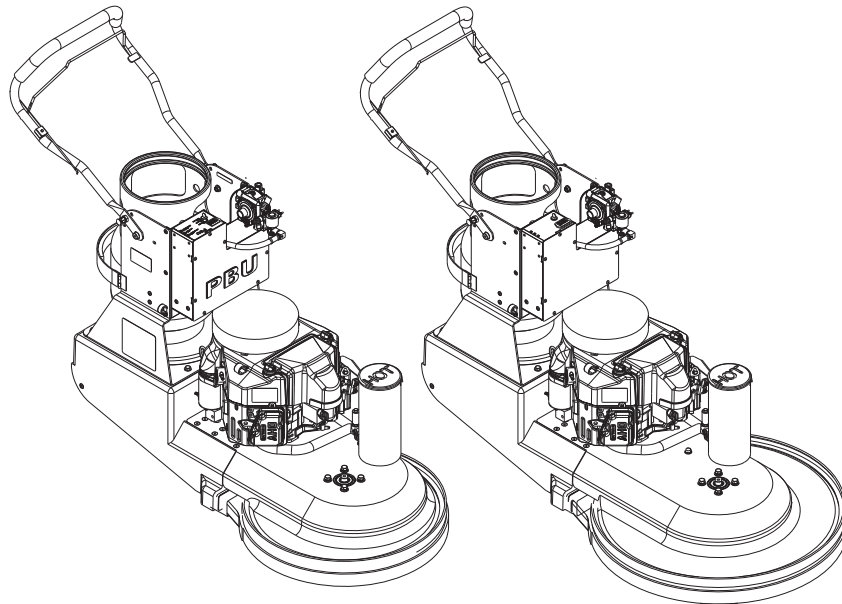


# PBU

## Propane Floor Burnisher Equipment with Dust Control



### Operator's Manual / Manuel d'utilisation / Libro de Instrucciones

Models: 56381408 (21KBCATCLDC), 56381409 (27KBCATCLDC)



**READ THIS BOOK**

**LEA ESTE MANUAL**



**LISEZ CE MANUEL**

**EN**

**English (A-2 - A-15)**

**ES**

**Español (B-2 - B-15)**

**FR**

**Français (C-2 - C-15)**

This book has important information for the use and safe operation of this machine. Failure to read this book prior to operating or attempting any service or maintenance procedure to your machine could result in injury to you or to other personnel; damage to the machine or to other property could occur as well. You must have training in the operation of this machine before using it. If your operator(s) cannot read this manual, have it explained fully before attempting to operate this machine.

All directions given in this book are as seen from the operator's position at the rear of the machine.

## TABLE OF CONTENTS

Engine Emissions and CO Safety .....	A-2
Specifications .....	A-8
Operator Safety Instructions.....	A-9
Introduction.....	A-10
Propane Safety Information.....	A-11
How to Operate the Machine.....	A-12
Maintenance and Adjustments .....	A-13
Carb Gard Operation .....	A-14
Troubleshooting.....	A-15

### SECTION P - Parts Manual

Base System .....	P-2 - P-3
Burnish System-21”.....	P-4 - P-5
Burnish System-27”.....	P-6 - P-7
Decal System .....	P-8 - P-9
Electrical System.....	P-10 - P-11
Engine System .....	P-12 - P-13
Engine Assembly.....	P-14 - P-15
Wiring Diagram.....	P-16 - P-17

## DANGER!

- \* If you do not understand any part of the warnings or guidelines regarding how to determine whether or not you have “Adequate” ventilation, then you **MUST** contact an industrial hygienist, workplace safety expert or other safety professional to determine the appropriate recommendations and standards that apply to the environment in which this product is to be used.
- \* Only use indoors when adequate ventilation is provided, a personal carbon monoxide (CO) detector is used and when a second person has been instructed to look after you.

It is the owner/operator’s responsibility to ensure that an air exchange blower either of positive or negative pressure is used in any location where a propane floor care machine is being operated to support a sufficient fresh air supply to the operator during use of such a machine. OSHA and other County, State, or Federal Agencies publish guidelines for safe machine usage regarding exhaust emissions and CO exposure in the workplace. Failure on the part of the owner/operator to ensure that a propane floor care machine is operated safely in accordance with OSHA or local state indoor air quality guidelines in a given location may lead to injury, sickness or even loss of life. To be completely aware of what local authorities may require, contact the Fire Marshal of your community.

This Owner’s Manual/Safety Procedures Guide has been prepared for the promotion of educational purposes only and does not claim or assume any responsibility for the operator’s actions or safety.

## ENGINE EMISSIONS AND CO SAFETY

The purpose of this document is to provide information on:

- The potential effects of CO exposure;
- The methods to reduce the risk of CO poisoning;
- The methods used to determine the amount of potential exposure to CO produced by equipment.

## DANGER!

All LPG (Liquid Propane Gas) powered engines, including this engine, produce Carbon Monoxide (CO). It is a **LETHAL POISON** that is a colorless, odorless, tasteless, and non-irritating gas. It is produced by incomplete combustion of carbonaceous material such as propane (LPG).

Failure to provide for proper venting of CO produced during the operation of combustion powered engines may result in **SERIOUS INJURY OR DEATH** to the operator and those in the contaminated area.

The effects of CO can be experienced at different exposure levels, depending on the health of the individual. Conditions that affect the tolerance of the individual are smoking, age, temperature, humidity, and other conditions.

**⚠ WARNING!**

Read and understand The Operators Manual completely before using this machine

This document explains how CO produced can be managed to reduce the risk of carbon monoxide poisoning.

All distributors, owners, and operators should be aware of the potential effects of CO and the methods used to prevent over exposure.

We are dedicated to our customers, their safety, and providing information, services, and products that meet those needs.

**⚠ WARNING!**

The Products sold with this Manual contain or may contain chemicals that are known to certain governments (such as the State of California, as identified in its Proposition 65 Regulatory Warning Law) to cause cancer, birth defects or other reproductive harm. In certain locations (including the State of California) purchasers of these Products that place them in service at an employment job site or a publicly accessible space are required by regulation to make certain notices, warnings or disclosures regarding the chemicals that are or may be contained in the Products at or about such work sites. It is the purchaser's responsibility to know the content of, and to comply with, any laws and regulations relating to the use of these Products in such environments. The Manufacturer disclaims any responsibility to advise purchasers of any specific requirements that may be applicable to the use of the Products in such environments.

**DOCUMENT OVERVIEW**

The information provided in the following overview has been condensed to provide the reader with a summary of the material presented.

**Potential Effects of CO Exposure**

- Work place occupational exposure guidelines for CO exposure limits vary substantially from region to region. For example, the (OSHA) Permissible Exposure Limit (PEL) for CO is 50 ppm, as an 8-hour time weighted average (TWA); however, some countries have adopted the ACGIH Threshold Limit Value (TLV) of 25 ppm CO. Some states (such as Minnesota) enforce a TWA PEL of 35 ppm CO, with an allowable ceiling of no more than 200 ppm..
- Definition of CO effects - The toxic effects of carbon monoxide in the blood are the result of tissue hypoxia (lack of oxygen). The severity depends on the state of activity of the individual and his tissue oxygen needs.

**Methods to Reduce The Risks of CO Poisoning**

- Air Exchange and CO Diffusion - CO does not mix with air on its own. Air currents can "stir" the CO and dilute the concentration values by mixing it with the available air. When using equipment over a large area in a short time "stirring" occurs as you walk.
- Application Considerations (Burnishing versus Stripping) - When activity is concentrated to a smaller area as in a stripping application, air "stirring" must be forced by the use of fans to reduce the risk of high concentrations of CO.
- Air Quality Monitoring – Deployment of a monitor/detector for sufficient continuous fresh air supply is essential for the safe operation of any equipment that has the potential to produce CO. NOTE: Dead Stop CO Detector provided in Literature Pack. Replacement part number 98758A.
- Room Size and Time Estimations - The concentration and volume of CO production, the size of the area and the amount of air exchange are factors involved with determining safe time limits for operation in a specific room size.
- Maintenance of Equipment - LPG engines are dependent on engine tune up, and air filter replacement. Toxic CO exhaust emissions severely increase when LPG engines run poorly or are in a poor state of maintenance. Follow the recommended Maintenance Schedule for the engine.
- Safety Equipment Available. - Envirogard automated fuel to air ratio monitoring and regulation providing an optimum combustion, catalytic converter muffler to scrub CO, Hydrocarbons (HC), and Oxides of Nitrogen (NOx) from the engine exhaust providing the lowest possible emissions, high cubic feet per minute (CFM) fans (forced fresh air mixing), and digital combustion analyzers for tail pipe emissions monitoring.

## ENGINE EMISSIONS AND CO SAFETY

### Potential Effects of CO Exposure

- Work place/industry guidelines for CO exposure limits
- Definition of CO effects

### **Work place/industry guidelines for CO exposure limits**

Limits for permissible exposure to CO vary substantially from region to region. City, State, and Industry requirements should be consulted prior to use of any equipment.

The current Occupational Safety and Health Administration (OSHA) Permissible Exposure Limit (PEL) for CO is 50 ppm, as an 8-hour time weighted average (TWA). This is computed by making measurements at intervals over 8 hours, then adding the sums of the concentrations and the intervals, and dividing by 8 hours. For example:

Time	Interval	PPM	
8:00-9:00	1 HR	100	
9:00-10:00	1 HR	25	
10:00-11:00	1 HR	25	
11:00-12:00	1 HR	50	
12:00-1:00	1 HR	50	Total 400ppm/8HR=50ppm TWA
1:00-2:00	1 HR	50	
2:00-3:00	1 HR	50	
3:00-4:00	1 HR	50	
Total time interval and PPM	8 HR	Total ppm = 400k	

The current National Institute for Occupational Health and Safety (NIOSH), immediately dangerous to life and health concentration (IDLH) recommended level for CO is 1,200 ppm. NIOSH defines the IDLH exposure level as the concentration that could result in irreversible health effects or death, or prevent escape from the contaminated environment within 30 minutes.

### **Definition of CO effects**

The toxic effects of carbon monoxide in the blood are the result of tissue hypoxia (lack of oxygen). carbon monoxide combines with hemoglobin to form carboxyhemoglobin. Since CO and oxygen react with the same group in the hemoglobin molecule, carboxyhemoglobin is incapable of carrying Oxygen. The affinity of hemoglobin for CO is 200 to 240 times greater than for oxygen. The extent of saturation of hemoglobin with CO depends on the concentration of the gas, the quantity of inspired air and on the time of exposure. The severity depends on the state of activity of the individual and his tissue oxygen needs.

According to Harrison's Principles of Internal Medicine 7th edition, no symptoms will develop at a concentration of 0.01% CO (100ppm) in inspired air, since this will not raise blood saturation above 10 %. Exposure to 0.05% (500ppm) for 1 hour during light activity will produce a blood concentration of 20% carboxyhemoglobin and result in a mild or throbbing headache. Greater activity or longer exposure causes a blood saturation of 30 to 50 %. At this point head ache, irritability, confusion, dizziness, visual disturbance, nausea, vomiting, and fainting can be experienced. Exposure for one hour to concentrations of 0.1% (1000ppm) in inspired air the blood will contain 50 to 80% carboxyhemoglobin which results in coma, convulsions, respiratory failure and death. On inhalation of high concentrations of CO, saturation of the blood proceeds so rapidly that unconsciousness may occur suddenly without warning.

## AIR QUALITY MONITORING

### **WARNING!**

Deployment of a monitor/detector is essential for the safe operation of any equipment that has the potential to produce CO. CO sensors/detectors became available on the mass market around 1978. At present several brands sell in the fifty-dollar range. The main differences between the technologies involved are battery or electric and Semiconductor or Biomimetic types. Detectors for carbon monoxide (CO) are manufactured and marketed for use in either the home or occupational industrial settings. The detectors for home use are devices that will sound an alarm before CO concentrations in the home become hazardous. There is an Underwriters Laboratories, Inc., performance standard (UL 2034) for residential CO detectors. Detectors currently available on the market are battery-powered, wall mount, Operator worn portable personal protective, plug-in, or hard-wired. Some models incorporate a visual display of the parts per million (ppm) concentration of CO present in the home. For more information on CO detectors for home use, call the Consumer Product Safety Commission Hotline at 1-800-638-2772. CO detectors for use in residential settings are not designed for use in typical workplace settings. Monitoring requirements in an occupational setting are different from monitoring requirements in the home. In the workplace, it is frequently necessary to monitor a worker's exposure to carbon monoxide over an entire work shift and determine the time-weighted average (TWA) concentration of the exposure. It may also be necessary to have carbon monoxide monitors with alarm capabilities in the workplace. The direct-reading instruments are frequently equipped with audio and/or visual alarms and may be used for area and/or personal exposure monitoring. Some have microprocessors and memory for storing CO concentration readings taken during the day. It is significant to note that some of the devices mentioned for workplace CO monitoring are not capable of monitoring TWAs, and not all are equipped with alarms. The appropriate personal protective monitor must be chosen on an application-by-application basis. For more information on the availability of workplace CO monitors or their application, call the National Institute for Occupational Safety and Health at 1-800-35-NIOSH (1-800-356-4674).

## METHODS TO REDUCE THE RISKS OF CO POISONING

- \* Air Exchange and CO Diffusion
- \* Application Considerations (Burnishing versus Stripping)
- \* Air Quality Monitoring
- \* Room Size and Time Estimations
- \* Maintenance of Equipment
- \* Safety Equipment Available

### Air Exchange and CO Diffusion

The most reliable method to prevent CO Poisoning is to ensure all the CO produced is vented outside. With wood stoves or gas heaters this is performed with ductwork that carries the exhaust and CO outside. Non-stationary combustion type equipment must be used in such a way that CO is not allowed to rise to a harmful or dangerous level.

CO does not readily dissipate or mix with air on its own. Air currents can “stir” the CO and dilute the concentration or ppm values by mixing it with the available air. When using equipment over a large area in a short time “stirring” occurs as you walk, or to say it another way, your Effective Operating Zone is large. When activity is concentrated to a smaller area as in a stripping application, the Effective Operating Zone is small, and “stirring” must be forced by the use of fans to increase the Effective Operating Zone and reduce high concentrations of CO.

Air exchange rates (air exchange is defined as the exhausting of internal air to the external atmosphere), the size of the Effective Operating Zone, amount of CO produced, level of human activity, and the duration of exposure are all factors in the determination of the production of carboxyhemoglobin and the amount of CO blood saturation. Be sure the area in which the equipment is being used is adequately ventilated. Refer to Minimum Recommended Dilution Ventilation Rates provided on page 7 that are defined by federal and state regulations and industry accepted guidelines that are applicable.

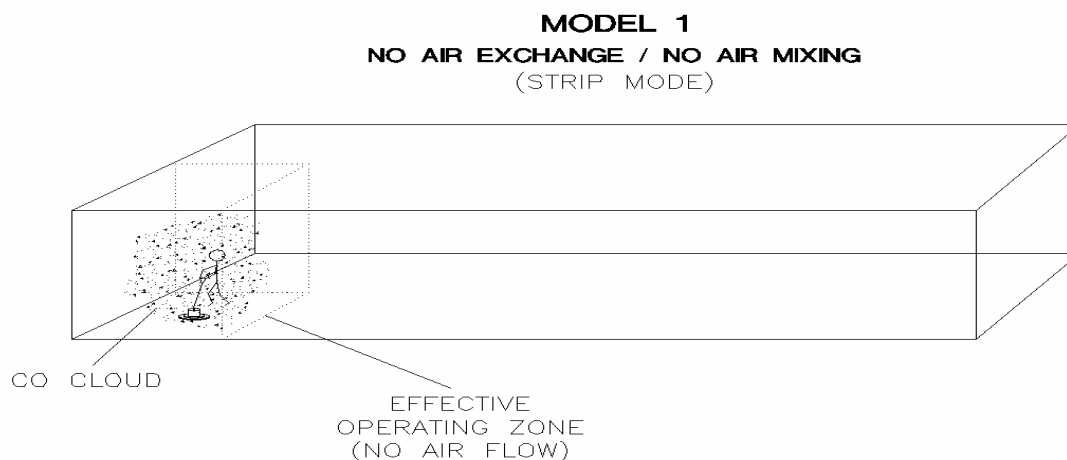
### Application considerations (Burnishing versus Stripping)

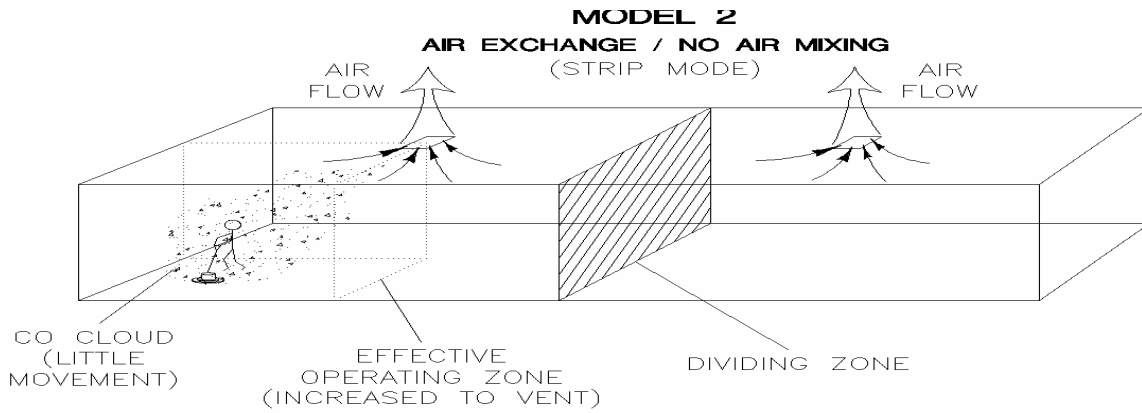
When using equipment over a large area in a short time, as in most burnishing applications, your Effective Operating Zone is large. When activity is concentrated to a smaller area as in stripping applications, the Effective Operating Zone is small and stirring or CO mixing MUST be forced by the use of fans to increase the Effective Operating Zone and reduce high concentrations of CO.

Caution: air mixing in itself may not be sufficient to reduce CO to a safe level.

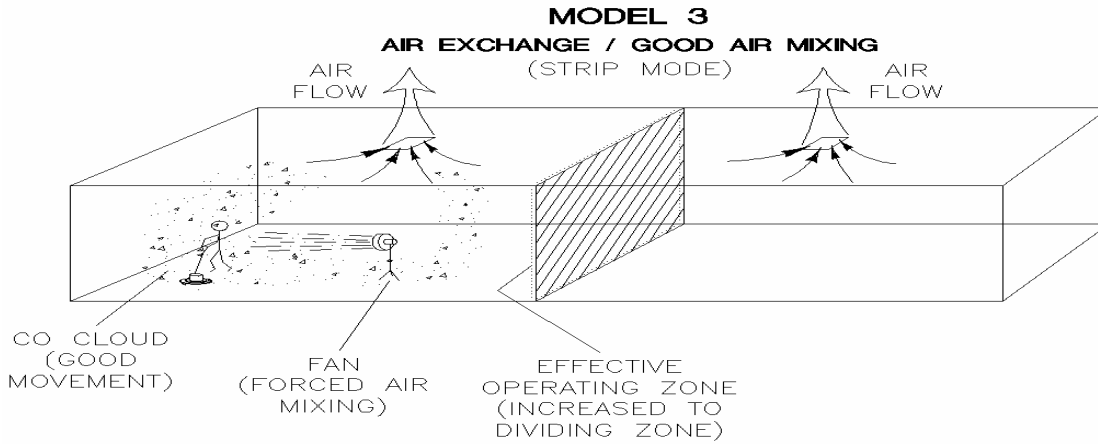
The Effective Operating Zone can be defined as the area covered in a given time.

Stripping is quite a different type of operation than burnishing, and carries with it substantially more hazards, as stripping is a low movement operation compared to burnishing (less floor space for the same time). As shown in Model 1, the CO concentrations rise much quicker as the “Effective Operating Zone” is a very small area compared to the total building size.

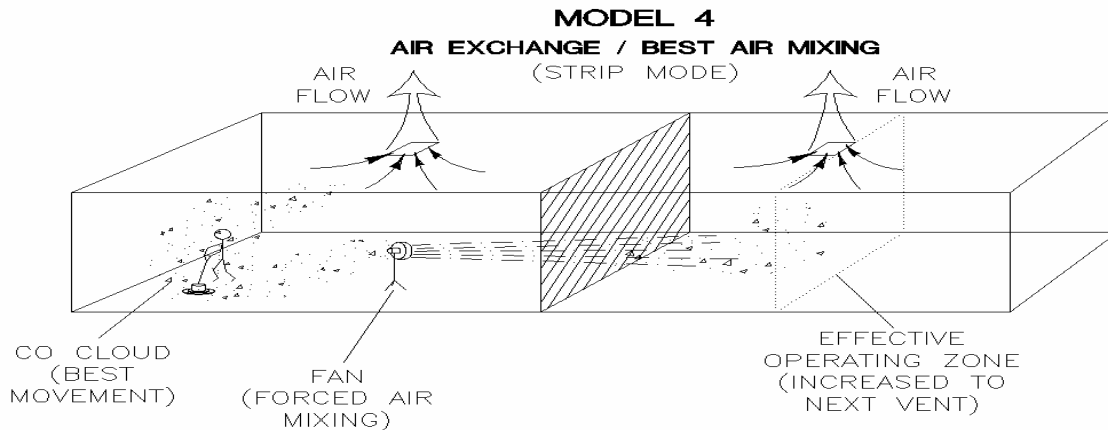




Notice the CO concentration and the Effective Operating Zone with air exchange. The CO cloud is still concentrated in a small area. Note the "Dividing Zone" shown above, this is the line where airflow changes direction. In Model 2, air changes are cut in ½ as little or no CO crosses the Dividing Zone to be exhausted.



Notice the CO concentration and the Effective Operating Zone (Expanded to the Dividing zone) with air exchange and forced air mixing. The CO cloud is still concentrated on one side of the Dividing zone. Note the "Dividing Zone" shown above, this is the line where airflow changes direction. In Model 3, air changes are cut in ½ as little or no CO crosses the Dividing Zone to be exhausted.



Notice the CO concentration and the Effective Operating Zone (Expanded through the Dividing zone to the second vent) with air exchange and forced air mixing through the dividing Zone. The CO cloud is diluted with the available air in the building. Note the "Dividing Zone" shown above, this is the line where airflow changes direction. In Model 4, air changes are full as forced air mixing has moved and mixed the CO between all air zones.

**MINIMUM RECOMMENDED DILUTION VENTILATION RATES FOR CARBON MONOXIDE EXPOSURE CONTROL  
PROPANE-POWERED PBU FLOOR BURNISHER NILFISK-ADVANCE, INC.**

Machine & Environment See note 7	Propane Fuel Consumption (lbs/hour)	Calculated CO Generation Rate (CFM)	Air Mixing Factor K (see Notes 3 and 4)	Dilution Ventilation Requirement, CFM (see Note 5)				Comment
				Federal OSHA PEL (50 ppm CO)	NIOSH REL (35 ppm CO)	Minnesota OSHA PEL (35 ppm CO)	ACGIH TLV (25 ppm CO)	
Machines without catalytic converter; Moderate air mixing	3.65	0.304	1.5	326	465	465	651	See Notes 4 & 5
Machines with catalytic converter; Moderate air mixing	3.65	0.216	1.5	232	331	331	463	See Notes 4 & 5
Machines without catalytic converter; Poor air mixing	3.65	0.304	3.0	651	930	930	1302	See Notes 4 & 5
Machines with catalytic converter; Poor air mixing	3.65	0.216	3.0	463	662	662	926	See Notes 4 & 5

**Notes:**

- Abbreviations:  
 "CO" means carbon monoxide  
 "CO2" means carbon dioxide  
 "CFM" means cubic feet per minute  
 "PEL" means Permissible Exposure Limit. (The total exposure limit you can breathe during an eight hour period.) The PELs and TLVs shown are time-weighted average concentrations.  
 "NIOSH REL" means National Institute for Occupation Safety and Health Recommended Exposure Limit.  
 "ACGIH TLV" means American Conference of Governmental Industrial Hygienists Threshold Limit Value. Note that some countries and provinces, such as The Ontario Ministry of Labour reference the ACGIH TLV for CO as their occupational exposure limit.
- These calculated ratios are based on the tailpipe emissions (see text). The ratio has been multiplied by 3 to account for the three carbons in each molecule of propane.
- The air mixing factor, K, varies from 1 to 3, depending on the efficiency of air mixing.
- It is prudent to set the K factor at 3 for rooms with poor air mixing or where the equipment is used in one area for longer than usual, such as during stripping.
- The dilution air recommendations are minimum outside air guidelines. Real-time personnel exposure monitoring should be performed using direct sensing CO monitors with alarms in order to ensure that the floor burnisher is adequately tuned and that sufficient dilution ventilation is being provided in all of the areas in which the burnisher will be used. It would be advisable to consult an experienced occupational health & safety adviser, such as an industrial hygienist for special situations.

The dilution ventilation equation is:

$$Q_{OA} = \frac{q \times K_{eff} \times 10^6}{OEL}$$

Where:

$Q_{OA}$  = Volumetric flow rate for outside dilution air, in CFM

$q$  = Generation rate for contaminant (CO), in CFM

OEL = Occupational Exposure Limit (see Table for PEL, TLV, etcetera)

$K_{eff}$  = A mixing factor to account for incomplete or poor delivery of dilution air (OA) to occupants. For example, a  $K_{eff}$  value of 3.0 is consistent with a point source of contaminants operated in crowded spaces with tight partitions, walls or barriers and poor air supply and return locations (AIHA, 2003). A  $K_{eff}$  of 1.0 indicates ideal ventilation mixing efficiency.

References

AIHA (2003) "General Methods for the Control of Airborne Hazards," *The Occupational Environment – Its Evaluation and Control*. Second Edition. American Industrial Hygiene Association, Fairfax, VA, pp. 829-846.

- In some cases, it may be necessary to measure carbon dioxide (CO2) concentrations, especially if the background CO2 concentration already present in the room is expected to be elevated prior to use of the burnisher.

- See table below for model identification with and without Catalytic Converter option:

Model	21KBCATCLDC	27KBCATCLDC
Part Number	56381408	56381409
Catalytic Converter	Yes	Yes

## MAINTENANCE OF EQUIPMENT

### **WARNING!**

The proper maintenance of equipment is vital to safe operation. LPG engines are dependent on engine tune up, and air filter replacement. CO concentration (production) skyrockets when the air to fuel ratio becomes fuel rich. Follow the recommended Maintenance Schedule for the engine found in the Engine Operator/Owner Manual as well as the Maintenance And Adjustments schedule found in the Propane Floor Equipment Operator's Manual that were supplied with the equipment.

### CO SAFETY EQUIPMENT AVAILABLE BY MANUFACTURER

- Carb Gard automated emissions monitoring will shut down the engine when high emissions are detected.
- Three-way type catalytic converter to scrub CO, Hydro Carbons (HC), and Nitrides of Oxygen (NOx) from the engine exhaust providing the lowest possible emissions
- **NOTE: Dead Stop CO Detector provided in Literature Pack. Replacement part number 98758A.**

### CO SAFETY EQUIPMENT AVAILABLE ON THE MARKET

- Positive or negative pressure high volume ventilation blower capable of exchanging complete room air volume to maintain CO levels below OSHA exposure limits.
- Digital combustion analyzers for tail pipe emissions monitoring
- OSHA Approved CO Monitor

### SPECIFICATIONS:

<b>Model</b>	21KBCATCLDC	27KBCATCLDC
<b>Part Number</b>	56381408	56381409
<b>Pad Size</b>	21" (53 CM)	27" (CM)
<b>Engine</b>	603CC KAWASAKI	603CC KAWASAKI
<b>Catalytic Muffler</b>	Yes	Yes
<b>Carb Gard</b>	Yes	Yes
<b>Clutch</b>	Centrifugal	Centrifugal
<b>Pad Speed</b>	1750 RPM	1250 RPM
<b>Propane Tank</b>	20 lb. (9.1 kg) Capacity, 80% Safety fill	20 lb. (9.1 kg) Capacity, 80% Safety fill
<b>Auto Fuel Shutoff</b>	Yes	Yes
<b>Low Oil Shutdown</b>	Yes	Yes
<b>Hour Meter</b>	Yes	Yes
<b>Sound Pressure (ISO 11201)</b>	87 dB LpA, 3dB KpA	87 dB LpA, 3dB KpA
<b>Productivity Rate</b>	25,000 ft <sup>2</sup> /hr (2,322 m <sup>2</sup> /hr)	33,000 ft <sup>2</sup> /hr (3,066 m <sup>2</sup> /hr)
<b>Agency Approvals</b>	EPA plus UL Approved Propane Components	EPA plus UL Approved Propane Components
<b>CARB Certified</b> (California Air Resource Board)	Yes	Yes
<b>Weight</b>	292 lbs / 132.4 kg	302 lbs / 137 kg
<b>Length</b>	66" (167.4 cm)	69" (175.3 cm)
<b>Width</b>	23.3" (59 cm)	29.5" (74.9 cm)
<b>Height</b>	43" (109.2 cm)	43" (109.2 cm)
<b>Warranty</b>	2 Years Parts & Labor	2 Years Parts & Labor



## OPERATOR SAFETY INSTRUCTIONS

### DANGER!

Severe bodily injury or death can occur to you or other personnel if the **DANGER** statements found on this machine or in this Owner's Manual are ignored or are not adhered to. Read and observe all **DANGER** statements found in this Owner's Manual and on your machine.

### WARNING!

Injury can occur to you or to other personnel if the **WARNING** statements found on your machine or in this Owner's Manual are ignored or are not adhered to. Read and observe all **WARNING** statements found in this Owner's Manual and on your machine.

### CAUTION!

Damage can occur to the machine or to other property if the **CAUTION** statements found on your machine or in this Owner's Manual are ignored or are not adhered to. Read and observe all **CAUTION** statements found in this Owner's Manual and on your machine.

### DANGER!

- If you do not understand any part of the warnings or guidelines regarding how to determine whether or not you have "Adequate" ventilation, then you **MUST** contact an industrial hygienist, workplace safety expert or other safety professional to determine the appropriate recommendations and standards that apply to the environment in which this product is to be used.
- Only use indoors when adequate ventilation is provided, a personal carbon monoxide (CO) detector is used and when a second person has been instructed to look after you.
- Be sure the area in which the equipment is being used is adequately ventilated. Refer to Minimum Recommended Dilution Ventilation Rates provided on page 7 that are defined by federal and state regulations and industry accepted guidelines that are applicable.
- Before operating the machine, verify that the ventilation system in the building is on and working properly.
- Failure to read the Owner's Manual prior to operating or attempting any service or maintenance procedure to your machine could result in injury to you or to other personnel; damage to the machine or to other property could occur as well. You must have training in the operation of this machine before using it. **If you or your operator(s) cannot read English, have this manual explained fully before attempting to operate this machine.**
- Parts of this machine can cause serious injury and/or damage. Do not allow contact of clothing, hair, hands, feet, or other body parts with the rotating pad. Keep other people away from the machine while it's in operation.
- Injury to the operator or bystanders could occur if the machine's power is on while changing the buffing pad or making machine adjustments. Never try to change the buffing pad or attempt to make machine adjustments while the engine is running.
- Cigarette lighters, pilot lights and any other source of ignition can create an explosion if it comes in contact with propane. Propane is a highly flammable fuel. All sources of ignition should be extinguished or removed entirely if possible from the work area. **DO NOT SMOKE** in the vicinity of a propane buffer.
- This machine emits carbon monoxide. Carbon monoxide poisoning could occur if the unit is used in an area with poor or inadequate ventilation. Operate machine in a well-ventilated area only. If a headache develops, shut off the machine. Have it checked for carbon monoxide emissions by a qualified shop before using it again. Also, verify that the ventilation system in the building is on and working properly.
- Dangerous carbon monoxide emissions from this machine are greatly increased due to a dirty combustion air cleaner. Follow the engine's manufacturer's air cleaner service instructions.
- Propane is highly flammable. If you smell propane gas, shut off the machine and move it outside. Determine and repair the source of the leak before restarting. **NEVER** vent propane gas inside a building. Disconnect the fuel line from the tank, remove the tank from the machine and then store the propane tank in a secure storage cabinet outside the building. It is **UNLAWFUL** to store a propane bottle inside a building.

### WARNING!

- Long or continuous exposure to high noise levels may cause permanent hearing loss. Always wear hearing protection while using this machine.
- Injury to the eyes and/or body can occur if protective clothing and/or equipment is not worn while using this machine. Always wear safety goggles and safety clothing while using this machine.
- Severe burn or injury could occur if you touch the hot muffler or exhaust pipe. Do not touch the hot muffler or exhaust pipe.
- Any alterations or modifications of this machine could result in damage to the machine or injury to the operator or other bystanders. Alterations or modifications not authorized by the manufacturer voids any and all warranties and liabilities.
- To avoid injury or property damage, do not leave the machine where it can be tampered with or started by persons untrained in its operation. You must have training in the operation of this machine before using it. **DO NOT** leave the machine running unattended.
- Substantial damage to the floor, the machine, or personnel may result if the machine is operated with the pad off center, damaged or missing. Do not operate the machine if the pad is off center, damaged or missing.
- Operating a machine that has loose parts could result in injury or property damage. Do not operate this machine if there are loose parts. Inspect the machine for loose parts frequently. This will promote safe operation and a long life for the machine.
- Vibration from machinery may cause numbness or tingling of the fingers in certain people. Smoking, dampness, diet, and heredity may contribute to the symptoms. Wearing warm clothing, gloves, exercising and refraining from smoking can reduce the effects of vibration. If the symptoms still persist, discontinue operation of the machine.

## INTRODUCTION

This propane floor care equipment is manufactured in two basic concepts: the buffer/burnisher and the floor stripper. Both of these designs are truly PORTABLE equipment. Propane buffers are best defined as ultra high speed buffers with the staying power to produce superior high gloss floor surfaces. Upon contact with the floor, the buffer should always be kept moving. The speed at which you walk will determine the results that you will obtain. Slower speeds create more heat and therefore more shine. A moderate pace is recommended for best results and safe operation. NEVER RUN WITH THE BUFFER!! While a credible shine will still result, the danger of trying to stop the machine in an emergency situation is unacceptable. When buffing, avoid loose tile, electric outlets, door thresholds and any object which may come in contact with the pad other than the floor itself. REMEMBER, the pad is turning very rapidly.

Proper care and maintenance will protect your investment and keep your machine serving you for many years to come. It is essential that these issues are closely followed:



## CAUTION!

***Overfilling the propane tank is the number one cause of problems with a propane machine. This can cause the engine to run poorly or not at all.***

***In addition, overfilling allows liquid propane to enter the fuel control system, possibly ruining the lockoff/regulator assembly. This voids the warranty on affected parts of the machine. To avoid problems, read and understand fully, the section "Filling and Storing Propane Tanks."***

***OVERHEATING*** is a major cause of engine failure. Keep the cooling air bonnet filter clean. Protect your machine; don't allow wax dust/lint to build up on the cooling fins of the engine cylinder(s). A good high pressure spray wash directed at the fins ***when the engine*** is cold will prevent this from happening.

***LOW OIL AND DIRTY OIL*** account for most of the other failures. It's recommended to change the oil ***on a regular schedule***, perhaps exceeding that which is found in the engine manufacturers' manual. Checking the oil daily, before putting the machine to work, is a good habit to get into and could save you the downtime and expense of replacing the engine due to oil starvation. AFTER AN OIL CHANGE, MAKE SURE YOU HAVE REPLACED THE OIL SUPPLY BEFORE RESTARTING THE ENGINE.

## PROPANE SAFETY INFORMATION

### Facts About LP Gas - Propane

As a fuel, Propane gas is unmatched for both safety and dependability. It has been used as a domestic household fuel for over half a century, and for over thirty years as an internal combustion engine fuel. Propane is a highly flammable fuel that is contained under pressure as a liquid. Vaporized gas has a similar explosive force to gasoline and mixtures as low as 2% LP Gas to air may be ignited in a closed environment. Care should be exercised to avoid escaping vapor as it can freeze skin and cause frost bite. Vaporized fuel is heavier than air and will collect in the lowest confined space available.

### Facts About Propane Tanks

Propane tanks are constructed according to ASME or Federal DOT #4ET20 pressure safety codes. Including the tank, all valves and fittings are UL Listed. Propane gas is noncorrosive and will not rust the inside of a tank. Should the tank exterior become damaged or rusted, discontinue use. **DO NOT** tamper with tank gauges or safety relief valves. **NEVER** use a tank not intended for use with a propane burner. **DO NOT** substitute tanks that are used with a barbecue grill, etc. We recommend having propane tanks tested once a year by an authorized National LP Gas Association sanctioned propane dealer.

The fuel tank is supplied directly from the manufacturer and is void of fuel. This tank must be purged at the time of the first fill. Local fuel vendors should be familiar with this operation and will provide this service.

### Recommended Purge Procedures

How to purge new LP-Gas Buffer cylinders equipped with the Overfill Prevention Device:

New containers may contain vapor, air, or other contaminants. It is essential that these be removed before filling the container and placing it into service. Air in the container will cause abnormally high pressure, with the result that the pressure relief valve may open. **Air in the system is also likely to cause lean mixture, making ignition difficult.** If a cylinder is suspected of being depressurized or open to the atmosphere for a period of time, it must be re-purged as if it were a new container.

**To purge a container, the following steps should be taken.**

Purging of containers should be performed in an approved area (see NFPA #5 8) using NPGA #13 3.89(a) procedure.

1. Determine if the container pressure is zero. Should the cylinder contain only pressurized air, the air may be vented directly to the atmosphere through the service valve using an adapter and the outage valve.
2. Pressurize the container to approximately 15 psig with LP-gas vapor. **Never purge with liquid LP-gas!** To do so will cause the moisture vapor to chill and remain in the cylinder. LP gas liquid also expands 270 times to vapor making the purge process ineffective. **Use LP-gas vapor only!**
3. Make the connection to the quick coupler (A purge manifold system is most effective). Fully open the cylinder service valve as well as the outage valve. Vent to a safe atmosphere. A vent stack is recommended.
4. On Overfill Prevention Device cylinders, the purge time is increased as a result of the new valve design. Opening the outage valve will help improve the speed of the purge.
5. Repeat #3 and #4 for a total of **FIVE** purges.
6. Repressurize the container with odorized LP-gas vapor to 15 psig.
7. The container is now ready to be filled with LP-gas.
8. Once filled, check all fittings and tank openings for leaks using an approved leak detector solution.
9. The container is now ready to be placed in service. Add DOT and OSHA labels.

#### **Symptoms of a non-purge cylinder:**

- **Relief valve opens due to over pressurized cylinder creating hazardous situation.**
- **Moisture in the cylinder.**
- **Buffer operates initially but shuts down when fuel mixture becomes too lean.**

### Refilling & Storing Propane Tanks

The NFPA Technical Committee prohibits the storage of such containers in buildings. There are few exceptions to this rule. In other words, propane tanks should NOT be stored in buildings used by the public or frequented by anyone passing through or who is working in the building. Full or empty, never leave tanks in small enclosed areas. The tank(s) must be in a secure, tamper-proof storage enclosure that provides safety from accident or vandalism. **PROPANE TANKS SHOULD ALWAYS BE TRANSPORTED, INSTALLED AND USED IN AN UPRIGHT POSITION.**

#### **OVERFILLING PROPANE TANKS IS HAZARDOUS.**

The tank should NEVER be completely filled with liquid propane. 80% of the total tank volume is to be considered at **ALL** times as full. **EXPANSION MUST BE ALLOWED FOR.** Propane Buffer tanks are equipped with a fixed liquid level gauge which contacts the liquid level at 80% of container capacity, allowing 20% for expansion. The top part of this device must be unscrewed counterclockwise so that vapor can escape through the small hole in its side, as the tank is refilled. When the escaping vapor starts to give way to liquid, the device must be quickly closed and the propane nozzle turned off.

**\*\*IMPORTANT\*\* The engine and the fuel system on your floor care machine are designed to run on fuel vapor, not fuel liquid. Overfilling the propane tank will result in damaging the lockoff and/or regulator. This will VOID the WARRANTY on these components.**

## HOW TO OPERATE THE MACHINE

### Preparing The Machine For Use

BEFORE using any type of powered equipment, proper safety dictates you should visually inspect it.

1. **Adjusting the Handle -**
  - (a) Adjust the handle to a comfortable height by pulling outward on the two spring-loaded pins on each side of the handle.
  - (b) While holding the pins out, adjust the handle to the height desired.
  - (c) Release the pins so that they insert themselves into the locked positions. NOTE: It may be easier to stand to one side of the handle and reach across to the other side to make the adjustment.
2. **Bonnet Filter-** Make sure the bonnet air filter atop the engine is clean. It should be changed hourly and thoroughly cleaned before reuse.
3. **Oil Level -**
  - (a) Check the engine OIL LEVEL.
  - (b) With the buffer sitting in a level position, unscrew the yellow oil filler cap, pull out, and wipe dipstick off with a clean cloth.
  - (c) Insert the dipstick into the tube, but DO NOT screw it back in.
  - (d) Pull the dipstick out and check the oil level making sure the oil level is in the operating range (grid area) shown on the dipstick. If the oil level is in the "ADD" range, add enough engine oil to bring the oil level to the operating range. NOTE: NEVER overfill the engine oil as this can lead to irreparable damage to the engine.
4. **Filling the Tank-** Fill the tank following the instructions as given under the previous heading: "Refilling And Storing Propane Tanks." In addition, if your buffer came with an "80% Safety Fill Tank" then it should ONLY be filled through the threaded valve with the larger diameter that is covered by a yellow cap to ensure a "Full" level that is safe.
5. **Pad and Pad Holder -**

Inspect the condition of the pad and pad holder.

  - (a) Adjust handle to it's extreme upright position. (NOTE: Pins should be in the hole marked "TILTBACK").
  - (b) Grabbing the handle with both hands and placing your foot on the back deck of the burnisher for stability, pull back on the handle and tilt the machine back.
  - (c) Let the handle rest on the floor to hold the machine in the upright position.
  - (d) Go to the pad side of the machine for inspection and/or replacement. Is there a pad? Is it properly attached? What is it's condition? Ensure the pad is clean and has at least a thickness of 1/3 of an inch. Always turn off the engine before checking the pad.
6. **Tank and Fuel Lines -** The tank has already been covered but do the fuel lines show any sign of wear and tear, such as cracks or any corrosion? Screw the brass fuel line fitting onto the tank service valve, hand tight only. This connection MUST be secure because the service valve has a safety valve inside it which will only open if the brass fuel line fitting is COMPLETELY seated into the service valve.
7. **Dust Containment Area -**

Check the dust containment area and make sure that it is clean. This is the area underneath the propane tank.

  - (a) Remove the propane tank and then lift the black lid and locate the automotive-type filter.
  - (b) Inspect the filter. Is it dirty? Does it need to be cleaned or replaced? Make sure that the trough - that is outside of and below the level of the filter - is clean.
8. **Dust Skirt -** Check out the condition of the skirt that surrounds the deck. Is it in good condition? What is the condition of the rubber boot that connects the skirt to the rear part of the deck? Replace the boot if it is ripped or torn.

### Starting the Engine

1. Open the service valve on the propane tank by turning counterclockwise, about one and a half turns.
2. Ensure the buffer is tilted back so that the pad is off the floor on all machines without a clutch.
3. The engine is designed to be started with the throttle in the idle position. This creates a vacuum necessary to open the lock-off valve inside the regulator. Movement of the throttle lever will keep the lock-off valve from opening and the engine from getting fuel so the engine will not start. Proper maintenance will insure easy starting.
4. Engage starter for a MAXIMUM of 5 to 6 seconds or until the engine fires. Serious starter damage will result if this is exceeded and the warranty may not apply.
5. Operate the engine at half throttle for approximately two minutes for proper warm-up. Then advance to full throttle for best results.  
NOTE: If the engine refuses to start, see the Trouble Shooting Guide.

### Stopping The Engine

1. Close the service valve on the propane tank, by turning clockwise. This consumes all of the propane that is still in the fuel system.
2. ALWAYS allow the engine to run until it stops from lack of fuel, and then shut off the key switch. \*\* ONLY IN AN EMERGENCY should the "kill switch" on buffer be used.
3. Disconnect the fuel line from the tank.
4. REMEMBER, when you are finished with the machine, store the propane tank outside the building, in a safe place away from heat or direct sunlight.

## MAINTENANCE AND ADJUSTMENTS

### Emission Control Information

To protect the environment in which we will live, the manufacturer has incorporated crankcase emission (1) and exhaust emission (2) control systems (EM) in compliance with applicable regulations of the United States Environmental Protection Agency and California Air Resources Board.

1. **Crankcase Emission Control System.** A sealed-type crankcase emission control system is used to eliminate blow-by gases. The blow-by gases are led to the breather chamber through the crankcase. Then, it is led to the air cleaner. Oil is separated from the gases while passing through the inside of the breather chamber from the crankcase, and then returned back to the bottom of crankcase.
2. **Exhaust Emission Control System.** The exhaust emission control system applied to this engine consists of a carburetor and an ignition system having optimum ignition timing characteristics. The carburetor has been calibrated to provide lean air/fuel mixture characteristics and optimum fuel economy with a suitable air cleaner and exhaust system.

### Tampering w/Emission Control System Prohibited

Federal law and California State law prohibits the following acts or the causing thereof: (1) the removal or rendering inoperative by any person other than for purposes of maintenance, repair, or replacement, of any device or element of design incorporated into any new engine for the purpose of emission control prior to its sale or delivery to the ultimate purchaser or while it is in use, or (2) the use of the engine after such device or element of design has been removed or rendered inoperative by any person.

Among those acts presumed to constitute tampering are the acts listed below:

Do not tamper with the original emission related part.

>Carburetor and internal parts

>Spark plugs (Only OEM quality and part number spark plugs may be used to replace the OEM spark plug the machine was equipped with from the factory)

>Magneto or electronic ignition system

>Air cleaner elements (Only OEM quality and part number air filters may be used to replace the OEM air filter the machine was equipped with from the factory)

>Crankcase

>Cylinder heads

>Breather chamber and internal parts

>Intake pipe and tube

### General Maintenance and Adjustments

1. **Fuel Control System** - To ensure personal safety, adjustments should ONLY be made by a qualified LPG system technician or an authorized service center, using an exhaust gas analyzer. Do not operate the machine if carbon monoxide levels exceed OSHA standards.
2. **Pad Replacement-**
  - (a) Adjust handle to its extreme upright position (Note: Pins should be in the hole marked "TILTBACK").
  - (b) Grabbing the handle with both hands and placing your foot on the back deck of the burnisher for stability, pull back on the handle and tilt the machine back.
  - (c) Let the handle rest on the floor to hold the machine in the upright position.
  - (d) Now move to the pad side of the machine.
  - (e) Grab the metal clip, which is located in the white center-lock device, between the thumb and index finger and squeeze. This allows the pad retainer to "pop" off.
  - (f) Remove the old pad.
  - (g) Install the new pad by carefully centering it against the "harpoon hook" plastic gripper.
  - (h) Replace the pad retainer by snapping it back in place (Note: The center-lock ring should "snap" twice).
  - (i) Check the rotation of the pad driver. Eccentricity of the pad should not exceed 1/4 of an inch.
3. **Belt Replacement -**
  - (a) Tilt the machine back as you would to replace the pad.
  - (b) Using a 3/4" open-end wrench, secure the shaft from the engine side of the deck and spin off the pad driver to remove it.
  - (c) Use the same 3/4" wrench to release tension on the belt by rotating the Lovejoy tensioner towards the belt.
  - (d) Release the Lovejoy tensioner and carefully remove the belt from the engine clutch and the drive pulley.
  - (e) Now install the new belt onto the clutch and pulley and use the wrench to again release the tension on the Lovejoy tensioner until the belt is in position.
  - (f) Release the Lovejoy tensioner to apply tension to the belt. (Note: the arrow on the Lovejoy tensioner should be pointing towards 30°. If it is not, reset the tensioner by first loosening and then re-tightening the bolt that holds the tensioner to the deck).
  - (g) Reinstall the pad driver.
4. **Changing the Engine Oil -**



## WARNING!

Changing the oil to a non OEM approved viscosity may change the emission output of the engine!

- (a) Start and warm up the engine so the oil will drain easily.
- (b) Stop the engine.
- (c) Place the buffer in a level position.
- (d) Pull the clear plastic tube out of it's holder and rotate the tube so that it can drain into a container.
- (e) Grab the 1/4-turn quick release oil drain and rotate counterclockwise. This will allow the engine oil to drain.
- (f) After draining is complete, rotate the quick release 1/4-turn clockwise to close and store the clear plastic tube in it's upright position.

## MAINTENANCE AND ADJUSTMENTS

### 5. Changing the Oil Filter -

- (a) Using either a strap wrench or an oil filter wrench, rotate the oil filter counterclockwise. Note: Before unscrewing the oil filter, place a suitable container beneath the oil drip tray to catch the oil that is from the filter or any oil passages in the engine.
- (b) Clean the oil filter base on the engine.
- (c) Apply a thin coat of engine oil to the seal of the oil filter.
- (d) Install the filter by turning it clockwise until the seal contacts the mounting surface of the engine.
- (e) Then turn the filter by hand(s) 3/4 turn more.
- (f) Run the engine at a slow idle speed for 2 minutes and check the oil filter and drain line for leaks.

### 6. Adjusting Pad Pressure -

- (a) Tilt the machine back as you would to change the pad.
- (b) To increase the pad pressure, move the wheels towards the rear of the machine. To do this, disconnect the hairpin from the clevis pin. Slide the clevis pin out and move the wheel to the back hole in the wheel caster. Reinsert the clevis pin and attach the hairpin.
- (c) To decrease pad pressure, use the same procedure and move the wheel towards the front of the machine.

### Recommended 8 Hour Break In (50 hour there after) Maintenance Items -

- >Change engine oil.
- >Check pad driver for loose parts.
- >Check belt for wear or slippage.
- >Check engine pulley for tightness.
- >Check wheel bolts.
- >Check engine mount bolts.
- >Check handle bolts.
- >Check for leakage of engine oil at the various seals.

### Recommended Oil Change Intervals

Do not exceed the oil change interval. Oil changes more frequent than 50 hours will give even longer engine life. In any case, always use 30HD or 10W30 engine oil with all of the following API ratings: SJ or higher. Make sure the oil level is maintained at the "FULL" level.

### Recommended 100 Hour Maintenance

The dust control filter must be changed every 100 hours.  
Change the oil filter every 100 hours of operation.

### Recommended 200 Hour Maintenance

Return machine to authorized service center for overall checkup.  
The engine air intake filter must be changed every 200 hours.  
>Check engine valve adjustment

## CARB GARD OPERATION

Carb Gard is a warning device to alert the operator that the engine needs to be serviced.

1. Upon starting the engine, the GREEN "Alert" LED will begin flashing. It will continue flashing for 3 minutes. This allows the engine and the oxygen sensor (mounted in the exhaust manifold) enough time to warm up. During this time, it is okay to operate the burnisher.
2. After 3 minutes, the Alert LED will stop flashing.
  - (a) If the engine is idling, then the YELLOW "Idle" LED will begin flashing. This allows the engine to idle for up to 2 minutes.
  - (b) After 2 minutes, the engine will shut down and the idle LED will remain solid to notify the operator why the machine shut down. (Note: If this occurs, simply turn the key switch to OFF. This will reset the Carb Gard. Restart the engine normally to continue operation).
  - (c) If at any time before the 2 minute countdown, the engine is revved up to full throttle, the LED will stop flashing and the Carb Gard will begin monitoring the oxygen sensor.
  - (d) If the engine is allowed to slow back down to the idle position, the idle LED will again start flashing for another 2 minutes.

NOTE: Every time the engine is revved up and allowed to slow down, the 2 minute countdown restarts itself.

3. Once the engine is revved up, the Carb Gard begins monitoring the oxygen sensor for carbon monoxide (CO).
  - (a) If at any time during full throttle the Carb Gard senses a higher than normal CO output, it will activate the RED "Service" LED and it will begin flashing.
  - (b) If the RED service LED flashes continuously for 1 minute, then the engine will shut down and the RED service LED will remain solid to notify the operator why the engine shut down.

NOTE: Carb Gard continuously monitors CO output. If the CO output drops, the service LED will stop flashing. If the CO output rises, it will start flashing again. ONLY after it continuously flashes for 1 minute will it shut down the engine.

## TROUBLESHOOTING

When troubles occur, be sure to check the simple causes which at first, may seem too obvious to be considered. For example, a starting problem could be caused by fuel starvation due to an empty propane cylinder or an unopened service valve. If you don't check for this, starter burnout could result.

1. **EXCESSIVE VIBRATION** - Look for the following possibilities:
  - (a) Pad is off center. Remove and reinstall.
  - (b) Pad Driver is bent or cracked. (Possibly from striking a curb or bolt in the floor.) Replace immediately with a new part only.
  - (c) Bearings in Front End Assembly are worn. Place the machine on its side opposite the muffler and dipstick. Grip Pad Driver and move up, down and from side to side to check for slack in the bearings. If this is the case, then to effect a proper repair, the bearings should be replaced and possibly the shaft. Contact an authorized service center.
  - (d) Check to see if the bolts on shaft housing are tight. Look to see if the nuts, bolts and spacers on the Flex Coupler Assembly are all in place and tight. Contact an authorized service center.
2. **ENGINE STARTS AND IDLES, BUT WILL QUIT AS THE THROTTLE IS ADVANCED** - It is possible that the propane tank's service valve is faulty. To check for this, close the valve completely and then reopen very slowly while you listen for a "click" when the gas begins to travel through the valve. If you hear this very slight noise, then what is happening is the valve is only partially opening. This allows enough gas through to start and idle the engine, but not enough for full throttle operation. As the throttle is increased, allowing more air to enter the intake, the engine will quit from fuel starvation. Call your dealer for instructions on where to have the service valve replaced. Meanwhile, to get by, you can continue to open the service valve until you don't hear a "click" and then the engine will run normally. IF IT DOES NOT, contact an authorized service center.
3. **THE BUFFER SEEMS TO RUN WELL BUT DIES DOWN WHEN THE PAD IS PLACED ON THE FLOOR OR SOON THEREAFTER** - Check for the same problem as in #2.
4. **EXCESSIVE NOISE FROM UNDER BUFFER** - If this problem has developed after use of the machine from new, then the first place to check is the Automatic Tensioner. As a new belt wears in, it naturally stretches a bit and the tensioner will begin to rattle. Place the buffer on its side (with the muffler down) and reset by taking up the slack in the belt and tighten the Automatic Tensioner.
5. **STARTER WILL HARDLY TURN THE ENGINE OVER or THE SOLENOID JUST CLICKS ON 12 VOLT OPTION MODELS** - The battery is likely low in charge. This can be remedied by recharging the battery using a 12 volt battery charger at 4-12 amperes. The battery is located under the frame at the rear of the buffer. The positive post is the one with the RED cable attached to it. Follow the instructions that came with the battery charger. REMINDER: this will continue to happen unless the buffer's engine is run for sufficient time between starts to recharge the battery.
6. **ENGINE BACKFIRES LOUDLY AND REGULARLY SUDDENLY** - Check the sparkplug boots. One of them is likely cracked, possibly due to contacting a corner of a shelf or a door frame. Remove the sparkplug lead from the sparkplug and replace the boot with a new one. The engine should now run normally. IF IT DOES NOT, contact an authorized service center.

## LEA ESTE MANUAL

Este manual contiene información importante acerca del uso y la seguridad de la máquina. Si no lee el manual antes de utilizar su máquina o de intentar realizar los procedimientos de reparación o mantenimiento de la misma, usted o el resto del personal podrían sufrir lesiones; asimismo, podrían producirse daños a la máquina o a otras propiedades. Antes de utilizar la máquina, es necesario recibir la capacitación adecuada en la operación de la misma. Si el operador de la máquina no sabe leer en inglés, explíquelo el manual exhaustivamente antes de que intente utilizarla.

Todas las indicaciones incluidas en este manual se ofrecen desde la posición del operador en la parte posterior de la máquina.

## ÍNDICE

Seguridad de las emisiones de los motores y el monóxido de carbono.....	B-2
Especificaciones de la máquina .....	B-8
Instrucciones de seguridad para el operador .....	B-9
Introducción: .....	B-10
Información de seguridad sobre el propano .....	B-11
Operación de la máquina .....	B-12
Mantenimiento y ajustes .....	B-13
Operación Carb Gard .....	B-14
Resolución de problemas .....	B-15
SECCIÓN P – Libro de piezas .....	P-2 - P17

## PELIGRO!

- \* Si no entiende cualquier parte de las advertencias o los lineamientos relacionados con cómo determinar si la ventilación es “adecuada”, DEBE consultar a un higienista industrial, experto en seguridad en el trabajo u otro profesional de la seguridad a fin de determinar las recomendaciones y normas apropiadas que correspondan al entorno donde se utilizará este producto.
- \* Úsela en interiores solamente si existe ventilación adecuada, si se usa un detector personal de monóxido de carbono (CO) y si una segunda persona tiene instrucciones de cuidarlo.

Es responsabilidad del propietario/operador asegurar que se utilice un soplador intercambiador de aire con presión positiva o negativa en un lugar donde funcione una máquina de cuidado de suelo de propano para proporcionar un buen suministro de aire fresco para el operador durante el uso de tal máquina. OSHA y otras Agencias Federales, Estatales y del Condado publican lineamientos para la utilización segura de máquinas con respecto a las emisiones de escape y a la exposición a monóxido de carbono en el lugar de trabajo. Si el propietario/operador no garantiza que una máquina de cuidados de suelo de propano funcione de manera segura de acuerdo con los lineamientos OSHA o las pautas locales, estatales en cuanto a calidad de aire en lugares cerrados, podría resultar en lesiones, enfermedades o aún la pérdida de vida. Para conocer por completo los requerimientos de las autoridades locales, póngase en contacto con el Jefe de Bomberos de su comunidad.

La Guía de Procedimientos de Seguridad/Manual del Propietario se ha preparado para fines informativos solamente y no asume responsabilidad por las acciones o la seguridad del operador.

## SEGURIDAD DE LAS EMISIONES DE LOS MOTORES Y EL MONÓXIDO DE CARBONO

El objetivo de este documento es suministrar información sobre:

- Los potenciales efectos de la exposición al monóxido de carbono;
- Los métodos para reducir el riesgo de envenenamiento con monóxido de carbono;
- Los métodos utilizados para determinar el nivel de exposición potencial al monóxido de carbono producido por un equipo.

## PELIGRO!

Todos los motores que funcionan con propano líquido (PL), incluso este motor, producen monóxido de carbono (CO). Este **VENENO MORTAL** es un gas incoloro, inodoro, insípido y que no irrita. Es producto de la combustión incompleta de un material carbonoso tal como el propano (PL).

La falta de adecuada ventilación del monóxido de carbono producido durante el funcionamiento de motores a combustión puede resultar en LESIONES GRAVES O LA MUERTE del operador y de quienes se encuentren en el área contaminada.

Los efectos del CO se pueden sufrir a distintos niveles de exposición, dependiendo de la salud del individuo. Las condiciones que afectan la tolerancia del individuo son fumar, la edad, la temperatura, la humedad y otras.



## **ADVERTENCIA!**

Antes de usar esta máquina debe leer y comprender totalmente el Libro de instrucciones.

Este documento explica cómo manejar el CO producido para reducir el riesgo de envenenamiento con monóxido de carbono.

Todos los distribuidores, propietarios y operadores deberán tener presentes los potenciales efectos del CO y los métodos utilizados para prevenir la sobreexposición.

Está dedicada a sus clientes, la seguridad de los mismos, y a proporcionar información, servicios y productos que contemplen esas necesidades.

## **ADVERTENCIA!**

Los Productos a la venta en este Manual contienen, o pueden contener, productos químicos reconocidos por algunos gobiernos (como el Estado de California, según lo indica en su Proposición 65, Ley de Advertencia Regulatoria) como causantes de cáncer, defectos de nacimiento u otros daños reproductivos. En algunas jurisdicciones (incluido el Estado de California), los compradores de estos Productos que los coloquen en servicio en un emplazamiento laboral o en un espacio de acceso público tienen la obligación regulatoria de realizar determinados avisos, advertencias o divulgaciones respecto de los productos químicos contenidos o posiblemente contenidos en los Productos utilizados en tal lugar. Es la responsabilidad del comprador conocer y cumplir con todas las leyes y reglamentaciones relacionadas con el uso de estos Productos en tales entornos. El Fabricante niega toda responsabilidad de informar a los compradores sobre requisitos específicos que pueden regir el uso de los Productos en tales entornos.

## **INFORMACIÓN GENERAL DEL DOCUMENTO**

La información que aparece a continuación ha sido condensada para proporcionar al lector un resumen del material presentado.

### **Potenciales efectos de la exposición al monóxido de carbono**

- Los lineamientos de exposición ocupacional en el lugar de trabajo referidos a los límites de exposición a CO son muy distintos según la región. Por ejemplo, el límite de exposición permisible (PEL) de OSHA para el CO es de 50 ppm, como un promedio ponderado en el tiempo (TWA) de 8 horas. Sin embargo, algunos países han adoptado el valor umbral límite (TLV) de 25 ppm CO de ACGIH. Algunos estados, como Minnesota, exigen un TWA PEL de 35 ppm CO, con un techo permisible de no más de 200 ppm.
- Definición de los efectos del CO – Los efectos tóxicos del monóxido de carbono en la sangre son consecuencia de la hipoxia (falta de oxígeno) de los tejidos. La gravedad depende del estado de actividad del individuo y de la necesidad de oxígeno de sus tejidos.

### **Métodos para reducir los riesgos de envenenamiento con CO**

- Cambio de aire y difusión del CO – El monóxido de carbono no se mezcla libremente con el aire. Las corrientes de aire pueden “revolver” el CO y diluir los valores de concentración al mezclarlo con el aire circundante. Cuando se usan equipos en un área extensa durante corto tiempo, se “revuelve” al caminar.
- Consideraciones sobre la aplicación (Pulir o rasquetear) – Cuando la actividad se concentra en una área pequeña como en la aplicación del rasqueteo, se debe forzar al aire a “revolverse” por medio de ventiladores para reducir el riesgo de las grandes concentraciones de CO.
- Monitoreo de calidad de aire – La utilización de un monitor/deflector para el suministro continuo y suficiente de aire fresco es esencial para el funcionamiento segura de cualquier equipo que tenga el potencial de producir monóxido de carbono. NOTA: Detector de CO (monóxido de carbono) con detención total se suministra en Paquete de Documentación. Número de parte de reemplazo 98758A.
- Cálculo del tamaño de la habitación y del tiempo – La concentración y el volumen de producción de monóxido de carbono, el tamaño del área y la cantidad del cambio de aire son factores que permiten determinar los límites de tiempo seguros para operar en una habitación de un tamaño específico.
- Mantenimiento de los equipos – El buen funcionamiento de los motores de LPG (gas de petróleo líquido) depende de un buen reajuste del motor y del reemplazo de los filtros de aire. Las emisiones tóxicas de monóxido de carbono se incrementan cuando los motores LPG funcionan de manera deficiente o su mantenimiento no es bueno. Siga el Programa de Mantenimiento recomendado para el motor.
- Equipo de seguridad disponible. - Monitoreo y regulación automatizada de proporción de combustible en aire Envirogard con conversor catalítico para eliminar monóxido de carbono (CO), hidrocarburos (HC) y óxidos de nitrógeno (NOx) del escape del motor suministrando la menor cantidad de emisiones posibles, ventiladores de pies cúbicos por minuto (CFM) (mezcla de aire forzado fresco), y analizadores digitales de combustión para monitoreo de emisiones de tubo de escape.

## SEGURIDAD DE LAS EMISIONES DE LOS MOTORES Y EL MONÓXIDO DE CARBONO

### Potenciales efectos de la exposición al CO

- ▮ Pautas para la industria / el lugar de trabajo sobre los límites de exposición al CO
- ▮ Definición de los efectos del CO

#### Pautas para la industria / lugar de trabajo sobre los límites de exposición al monóxido de carbono

Los límites de la exposición permitida al monóxido de carbono varían sustancialmente de una región a otra. Antes de utilizar cualquier equipo, se deben consultar las exigencias de la ciudad, el estado y la industria.

El límite de exposición permitido (PEL, por sus siglas en inglés) actualmente por la Administración de la Seguridad y Salud Ocupacionales de los Estados Unidos (OSHA, por sus siglas en inglés) para el monóxido de carbono es de 50 ppm, como promedio ponderado por tiempo (TWA, por sus siglas en inglés) de 8 horas. Esto se computa tomando mediciones a intervalos durante 8 horas, luego sumando los totales de las concentraciones y los intervalos, y dividiendo por 8 horas.

Por ejemplo:

Hora	Intervalo	PPM	
8:00-9:00	1 HR	100	
9:00-10:00	1 HR	25	
10:00-11:00	1 HR	25	
11:00-12:00	1 HR	50	
12:00-1:00	1 HR	50	Total 400 ppm /8HR = 50 ppm TWA
1:00-2:00	1 HR	50	
2:00-3:00	1 HR	50	
3:00-4:00	1 HR	50	
Intervalo de tiempo total y PPM	8 HR	Total ppm = 400k	

La concentración inmediatamente peligrosa para la vida y la salud (IDLH por sus siglas en inglés) que actualmente recomienda el Instituto Nacional de Seguridad y Salud Ocupacional de los Estados Unidos (NIOSH, por sus siglas en inglés) para el CO es de 1,200 ppm. NIOSH define el nivel de exposición IDLH como la concentración que podría provocar la muerte o efectos irreversibles sobre la salud, o que podría impedir que una persona salga del ambiente contaminado dentro de los 30 minutos.

#### Definición de los efectos del CO

Los efectos tóxicos del monóxido de carbono en la sangre son consecuencia de la hipoxia (falta de oxígeno) de los tejidos. El monóxido de carbono se combina con la hemoglobina y forma carboxihemoglobina. Como el CO y el oxígeno reaccionan con el mismo grupo en la molécula de hemoglobina, la carboxihemoglobina es incapaz de transportar oxígeno. La afinidad de la hemoglobina con el CO es de 200 a 240 veces mayor que con el oxígeno. El grado de saturación de la hemoglobina con CO depende de la concentración del gas, de la cantidad de aire inspirado y de la duración de la exposición. La gravedad depende del estado de actividad del individuo y de la necesidad de oxígeno de sus tejidos.

Según la publicación de Harrison, Principios de medicina interna, 7ª edición, no se presentarán síntomas a una concentración de 0.01% CO (100ppm) en el aire inspirado, puesto que esto no elevará la saturación en sangre por encima del 10%. La exposición a 0.05% (500ppm) durante 1 hora de actividad liviana producirá una concentración en sangre de 20% de carboxihemoglobina que causará un dolor de cabeza leve o punzante. Mayor actividad o exposición más prolongada produce una saturación de la sangre de 30 a 50%. En este punto se puede experimentar dolor de cabeza, irritación, confusión, mareo, disturbios visuales, náuseas, vómitos y desmayo. Luego de estar expuesto durante una hora a concentraciones de 0.1% (1000ppm) en el aire inspirado, la sangre contiene de 50 a 80% de carboxihemoglobina ocasionando coma, convulsiones, paro respiratorio y la muerte. Si se inhalan concentraciones elevadas de CO, la saturación de la sangre progresa con tanta rapidez que la inconsciencia puede ocurrir repentinamente y sin aviso.

## CONTROL DE LA CALIDAD DEL AIRE

### ADVERTENCIA!

La utilización de un monitor/detector es esencial para el funcionamiento seguro de cualquier equipo que tenga el potencial de producir monóxido de carbono. Los sensores/detectores de monóxido de carbono salieron a la venta en el mercado alrededor de 1978. Hoy en día, se pueden encontrar diversas marcas en el rango de los cincuenta dólares. Las principales diferencias entre las tecnologías aplicables son los tipos de semiconductores a batería o eléctricos o biomiméticos. Detectores para monóxido de carbono (CO) son fabricados y comercializados para ser utilizados en entornos domiciliarios, laborales o industriales. Los detectores para uso doméstico son dispositivos que activarán una alarma sonora antes de que las concentraciones de CO en el hogar se tornen peligrosas. Hay una norma de rendimiento de Underwriters Laboratories Inc., (UL 2034) para detectores de CO residenciales. Los detectores actualmente disponibles en el mercado son a batería, montados en pared, como parte del equipo portátil de protección personal del operador, a enchufe o por cable. Algunos modelos incorporan un pantalla visual de la concentración de partes por millón (ppm) de CO presente en el hogar. Para obtener más información sobre los detectores de CO para uso doméstico, llame a la línea de ayuda de la Comisión de Seguridad para Productos de Consumo al 1-800-638-2772. Los detectores de CO para uso en entornos residenciales no están diseñados para ser usados en entornos laborales típicos. Los requerimientos de monitoreo en un entorno laboral son diferentes de los requerimientos necesarios en el hogar. En el lugar de trabajo, es frecuentemente necesario monitorear la exposición del trabajador a monóxido de carbono durante un turno de trabajo completo y determinar la concentración promedio ponderada en el tiempo (TWA) También puede ser necesario tener monitores de monóxido de carbono con funciones de alarma en el lugar de trabajo. Los instrumentos de lectura directa vienen frecuentemente equipados con alarmas sonoras y/o visuales y pueden ser utilizados para monitoreos de exposiciones en áreas o personales. Algunos tienen microprocesadores y memoria para almacenar lecturas de concentración de CO tomadas durante el día. Es importante señalar que algunos de los dispositivos mencionados para el monitoreo de CO en el lugar de trabajo no son capaces de monitorear TWA y no todos vienen equipados con alarmas. El monitor de protección personal adecuado debe seleccionarse en función de cada aplicación en particular. Para obtener más información sobre la disponibilidad de monitores de CO en el lugar de trabajo o su aplicación, llame al Instituto Nacional para la Seguridad y Salud Ocupacional al número 1-800-35-NIOSH (1-800-356-4674).

## MÉTODOS PARA REDUCIR LOS RIESGOS DE ENVENENAMIENTO CON CO

- Cambio de aire y difusión del CO
- Consideraciones sobre la aplicación (Pulir o rasquetear)
- Control de la calidad del aire
- Cálculo del tamaño de la habitación y el tiempo
- Mantenimiento del equipo
- Equipo de seguridad disponible

### Cambio de aire y difusión del CO

El método más confiable para prevenir el envenenamiento con CO es asegurarse que todo el CO producido se ventile hacia fuera. Cuando hay estufas a leña o calentadores a gas, esto se realiza por medio de conductos que transportan los gases y el CO al exterior. Los equipos a combustión que no son fijos se deben usar de manera tal que el CO no pueda alcanzar niveles nocivos o peligrosos.

El monóxido de carbono no se disipa ni se mezcla libremente con el aire. Las corrientes de aire pueden “revolver” el CO y diluir los valores de ppm o de concentración al mezclarlo con el aire circundante. Cuando se usan equipos en un área extensa durante corto tiempo, se “revuelve” al caminar, lo que significa que la zona de operación efectiva es extensa. Cuando la actividad se concentra en una área pequeña como en una aplicación de rasqueteo, se debe forzar al aire a “revolverse” por medio de ventiladores para aumentar la zona de operación efectiva y reducir las grandes concentraciones de CO.

La velocidad del cambio de aire (el cambio de aire se define como la extracción del aire interior a la atmósfera exterior), el tamaño de la zona de operación efectiva, la cantidad de CO producido, el nivel de actividad humana, y la duración de la exposición son todos factores que determinan la producción de carboxihemoglobina y el nivel de saturación de monóxido de carbono en la sangre. Asegúrese de que el área donde se usa el equipo esté bien ventilada. Consulte las proporciones de ventilación por dilución mínimas recomendadas de la página 7 definidas por las reglamentaciones federales y estatales y los lineamientos aceptados por la industria que correspondan.

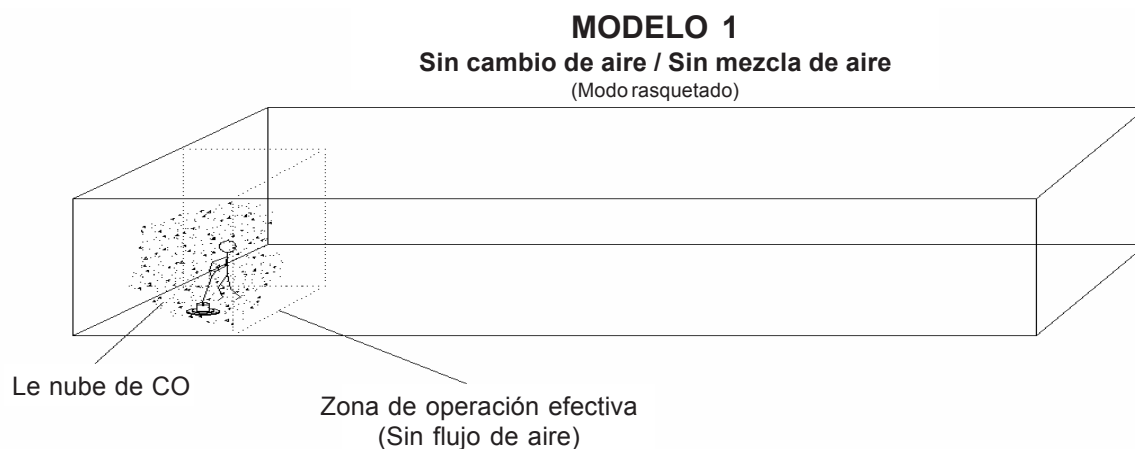
### Consideraciones sobre la aplicación (Pulir o rasquetear)

Cuando se usa equipo sobre un área extensa en poco tiempo, como ocurre en la mayoría de las aplicaciones de pulido, la zona de operación efectiva es amplia. Cuando la actividad se concentra en una área pequeña como en una aplicación de rasqueteo, la zona de operación efectiva es pequeña y se DEBE forzar al CO a mezclarse o revolverse por medio de ventiladores para aumentar la zona de operación efectiva y reducir las grandes concentraciones de CO.

Precaución: Mezclar el aire solamente puede no ser suficiente para reducir el CO a un nivel seguro.

La zona de operación efectiva se puede definir como el área cubierta en un tiempo determinado.

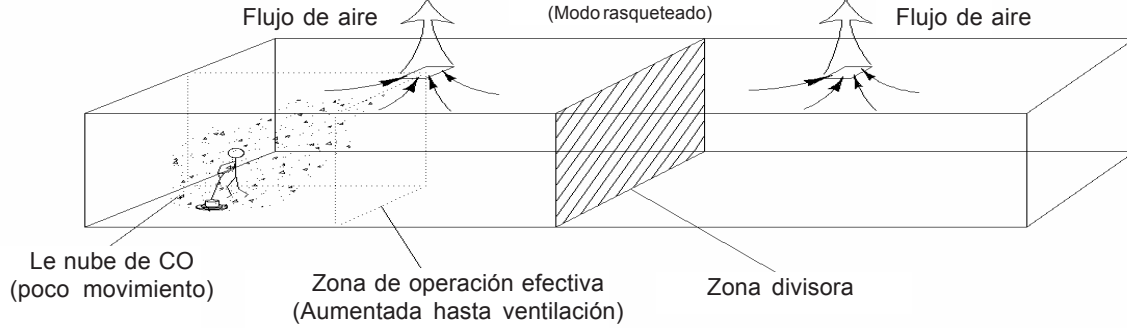
El rasqueteado es un tipo de operación bastante diferente al pulido, y conlleva muchos más riesgos, ya que en relación al pulido el rasqueteado es una operación de poco movimiento (menos superficie del suelo en el mismo tiempo). Como se muestra en el Modelo 1, las concentraciones de CO aumentan más rápidamente ya que la “zona de operación efectiva” es un área muy reducida comparada al tamaño total del edificio.



**MODELO 2**

**Cambio de aire / Sin mezcla de aire**

(Modo rasqueteado)

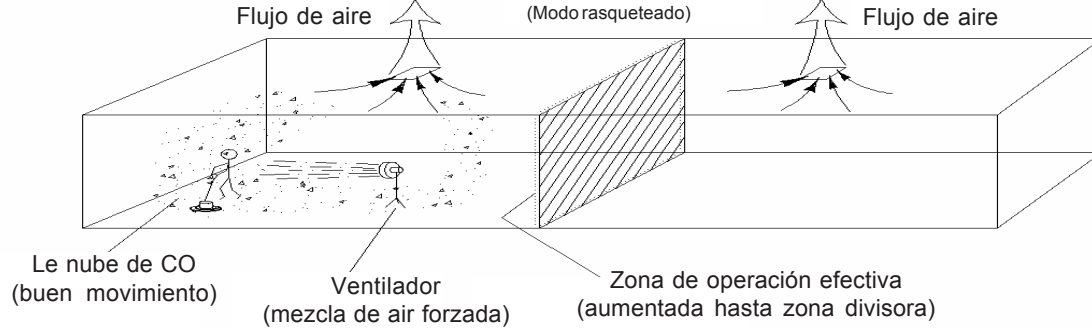


Observe la concentración de CO y la zona de operación efectiva con cambio de aire. La nube de CO sigue concentrada en un área reducida. Observe la “zona divisora” que se muestra arriba, éste es el lugar donde el flujo de aire cambia de dirección. En el Modelo 2, los cambios de aire se reducen a la mitad ya que prácticamente nada de CO cruza la zona divisora para ser extraído.

**MODELO 3**

**Cambio de aire / Buena mezcla de aire**

(Modo rasqueteado)

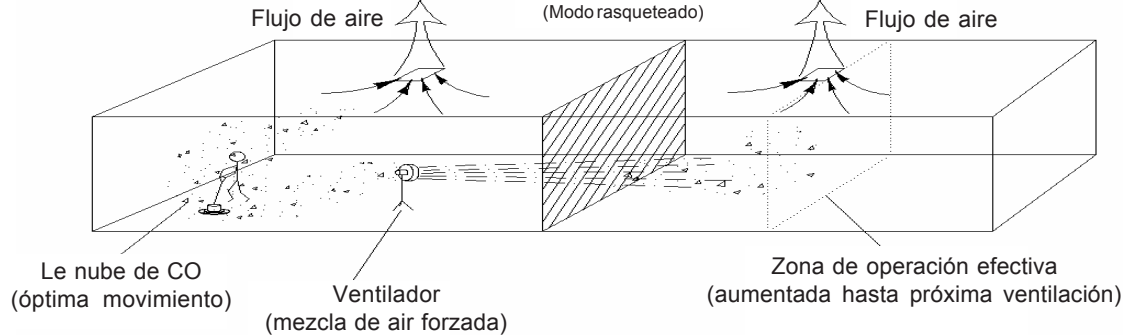


Observe la concentración de CO y la zona de operación efectiva (ampliada hasta la zona divisora) con cambio de aire y mezcla de aire forzada. La nube de CO sigue concentrada de un lado de la zona divisora. Observe la “zona divisora” que se muestra arriba, éste es el lugar donde el flujo de aire cambia de dirección. En el Modelo 3, los cambios de aire se reducen a la mitad ya que prácticamente nada de CO cruza la zona divisora para ser extraído.

**MODELO 4**

**Cambio de aire / Óptima mezcla de air**

(Modo rasqueteado)



Observe la concentración de CO y la zona de operación efectiva (ampliada pasando la zona divisora hasta la segunda ventilación) con cambio de aire y mezcla de aire forzada pasando la zona divisora. La nube de CO se diluye con el aire disponible en el edificio. Observe la “zona divisora” que se muestra arriba, éste es el lugar donde el flujo de aire cambia de dirección. En el Modelo 4, los cambios de aire son totales ya que la mezcla de aire forzada se ha movido y mezclado el CO entre todas las zonas de aire.

**PROPORCIONES DE VENTILACIÓN POR DILUCIÓN MÍNIMAS RECOMENDADAS PARA CONTROL DE LA EXPOSICIÓN AL MONÓXIDO DE CARBONO  
BRUÑIDORA DE SUELO PBU A PROPANO NILFISK-ADVANCE, INC.**

Máquina y entorno Véase la nota 7	Consumo de propano (libras/hora)	Tasa de generación de CO calculada (CFM)	Factor K de mezcla de aire (véase las notas 3 y 4)	Requerimiento de ventilación por dilución, CFM (véase la nota 5)				Observaciones
				PEL de OSHA federal (50 ppm CO)	NIOSH REL (35 ppm CO)	PEL de OSHA en Minnesota (35 ppm CO)	ACGIH TLV (25 ppm CO)	
Máquinas sin convertidor catalítico; mezcla de aire moderada	3,65	0,304	1,5	326	465	465	651	Véase las notas 4 y 5
Máquinas con convertidor catalítico; mezcla de aire moderada	3,65	0,216	1,5	232	331	331	463	Véase las notas 4 y 5
Máquinas sin convertidor catalítico; mezcla de aire escasa	3,65	0,304	3,0	651	930	930	1302	Véase las notas 4 y 5
Máquinas con convertidor catalítico; mezcla de aire escasa	3,65	0,216	3,0	463	662	662	926	Véase las notas 4 y 5

**Notas:**

1 Abreviaturas:

"CO" significa monóxido de carbono

"CO2" significa dióxido de carbono

"CFM" significa pies cúbicos por minuto

"PEL" significa límite de exposición permisible (El límite de exposición total que se puede inhalar durante un período de ocho horas) Los PEL y TLV que se muestran son concentraciones promedio ponderadas en el tiempo.

"NIOSH REL" significa el límite de exposición recomendado por el Instituto Nacional para la Seguridad y Salud Ocupacional.

"ACGIH TLV" significa el valor umbral límite de la Conferencia Americana de Higienistas Industriales Gubernamentales. Tenga en cuenta que algunos países y provincias, como el Ministerio de Trabajo de Ontario, mencionan el ACGIH TLV de CO como su límite de exposición ocupacional.

2 Estas proporciones calculadas se basan en las emisiones del tubo de escape (véase el texto). La proporción se multiplicó por 3 para incluir los tres carbonos en cada molécula de propano.

3 El factor K de mezcla de aire varía del 1 al 3, según la eficiencia de la mezcla de aire.

4 Es prudente ajustar el factor K en 3 para ambientes con mezcla de aire escasa o cuando se usa el equipo en un área más tiempo que el habitual, por ejemplo durante la limpieza.

5 Las recomendaciones de dilución del aire son lineamientos mínimos para exteriores. Se debe monitorear la exposición del personal en tiempo real mediante monitores de CO de detección directa con alarmas, a fin de asegurar que la bruñidora de suelo esté adecuadamente ajustada y que se suministre suficiente ventilación por dilución en todas las áreas donde se usará la bruñidora. Se aconseja consultar a un asesor de salud y seguridad ocupacional experimentado, como un higienista industrial, para situaciones especiales.

La ecuación de la ventilación por dilución es:

$$Q_{OA} = \frac{q \times K_{eff} \times 10^6}{OEL}$$

Donde:

$Q_{OA}$  = flujo volumétrico del aire de dilución exterior, en CFM

$q$  = tasa de generación del contaminante (CO), en CFM

OEL = límite de exposición ocupacional (véase PEL, TLV, etc. en la tabla)

$K_{eff}$  = factor de mezcla para considerar la entrega incompleta o escasa de aire de dilución (OA) a los ocupantes. Por ejemplo, un valor  $K_{eff}$  de 3,0 coincide con una fuente puntual de contaminantes operada en espacios amontonados con divisiones, paredes o barreras, y escaso suministro de aire y lugares de retorno (AIHA, 2003). Un valor  $K_{eff}$  de 1,0 indica una eficiencia ideal de mezcla de ventilación.

Referencias

AIHA (2003) "General Methods for the Control of Airborne Hazards," *The Occupational Environment – Its Evaluation and Control*, Segunda Edición, Asociación Americana de Higiene Industrial, Fairfax, VA, pp. 829-846.

6 En algunos casos, puede ser necesario medir las concentraciones de dióxido de carbono (CO<sub>2</sub>), especialmente si se espera que la concentración de CO<sub>2</sub> de base ya presente en la habitación se eleve antes de usar la bruñidora.

7 Véase en la tabla a continuación la identificación de modelo con y sin la opción de convertidor catalítico:

Modelo	21KBCATCLDC	27KBCATCLDC
Número de pieza	56381408	56381409
Convertidor catalítico	Sí	Sí

## MANTENIMIENTO DEL EQUIPO

### ADVERTENCIA!

El mantenimiento correcto del equipo es de vital importancia para la seguridad de la operación. Los motores a propano líquido dependen del ajuste del motor y del cambio del filtro de aire. La concentración (producción) de monóxido de carbono se dispara cuando la relación aire-combustible es demasiado rica en combustible. Siga el programa de mantenimiento recomendado para el motor que se encuentra en Libro de instrucciones del motor y también el programa de mantenimiento y ajustes que se encuentra en el Libro de instrucciones del equipo para suelo a propano que se encontraba con el equipo.

### EQUIPOS DE SEGURIDAD CO DISPONIBLES A TRAVÉS DEL FABRICANTE

- El monitoreo automatizado de emisiones Carb Guard apagará el motor cuando se detectan altas emisiones.
- El convertidor catalítico de tres vías para eliminar monóxido de carbono, hidrocarburos y óxido de nitrógeno del escape del motor que ofrece la menor cantidad de emisiones posibles
- **NOTA: Detector de CO (monóxido de carbono) con detención total se suministra en Paquete de Documentación. Número de parte de reemplazo 98758A.**

### EQUIPOS DE SEGURIDAD CO DISPONIBLES EN EL MERCADO

- Soplador de ventilación de alto volumen de presión positiva o negativa capaz de intercambiar el volumen de aire de toda una habitación para mantener niveles CO por debajo de los límites de exposición OSHA.
- Analizadores de combustión digitales para monitoreo de emisiones de tubos de escape.
- Monitor de CO aprobado por OSHA

### ESPECIFICACIONES DE LA MÁQUINA:

Modelo	21KBCATCLDC	27KBCATCLDC
Numero de parte	56381408	56381409
Tamaño del disco	21" (53 CM)	27" ( CM)
Motor	603CC KAWASAKI	603CC KAWASAKI
Silenciador catalítico	Si	Si
Protección carburador	Si	Si
Embrague	Centrifugo	Centrifugo
Velocidad del disco	1750 RPM	1250 RPM
Depósito de propano	20 lb. (9.1 kg) de capacidad, 80% de llenado de seguridad	20 lb. (9.1 kg) de capacidad, 80% de llenado de seguridad
Cierre de combustible automático	Si	Si
Cierre por bajo nivel de aceite	Si	Si
Horómetro	Si	Si
Nivel de sonido (ISO 11201)	87 dB LpA, 3dB KpA	87 dB LpA, 3dB KpA
Tasa de productividad	25,000 ft <sup>2</sup> /hr (2,322 m <sup>2</sup> /hr)	33,000 ft <sup>2</sup> /hr (3,066 m <sup>2</sup> /hr)
Aprobaciones de agencias	EPA además de Componentes de Propano Aprobados UL	EPA además de Componentes de Propano Aprobados UL
CARB Certificó (Consejo de Recursos de Aire de California)	Si	Si
Peso	292 lbs / 132.4 kg	302 lbs / 137 kg
Longitud	66" (167.4 cm)	69" (175.3 cm)
Anchura	23.3" (59 cm)	29.5" (74.9 cm)
Altura	43" (109.2 cm)	43" (109.2 cm)
Garantía	2 años para las partes y mano de obra	2 años para las partes y mano de obra

## INSTRUCCIONES DE SEGURIDAD PARA EL OPERADOR

### PELIGRO!

Usted u otras personas pueden estar expuestos a sufrir lesiones personales, inclusive la muerte si las indicaciones de PELIGRO que se encuentran en esta máquina o en este Libro de instrucciones se ignoran o no se tienen en cuenta. Lea y respete todas las indicaciones de PELIGRO que se encuentran en el Libro de instrucciones y sobre la máquina.

### ADVERTENCIA!

Usted u otras personas pueden estar expuestos a sufrir lesiones personales, si las indicaciones de ADVERTENCIA que se encuentran en esta máquina o en este Libro de instrucciones se ignoran o no se tienen en cuenta. Lea y respete todas las indicaciones de ADVERTENCIA que se encuentran en el Libro de instrucciones y sobre la máquina.

### PRECAUCIÓN!

La máquina u otros bienes pueden sufrir daños materiales si las indicaciones de PRECAUCIÓN que se encuentran sobre esta máquina o en este Libro de instrucciones se ignoran o no se tienen en cuenta. Lea y respete todas las indicaciones de PRECAUCIÓN que se encuentran en el Libro de instrucciones y sobre la máquina..

### PELIGRO!

- Si no entiende cualquier parte de las advertencias o los lineamientos relacionados con cómo determinar si la ventilación es “adecuada”, **DEBE** consultar a un higienista industrial, experto en seguridad en el trabajo u otro profesional de la seguridad a fin de determinar las recomendaciones y normas apropiadas que correspondan al entorno donde se utilizará este producto.
- Úsela en interiores solamente si existe ventilación adecuada, si se usa un detector personal de monóxido de carbono (CO) y si una segunda persona tiene instrucciones de cuidarlo.
- Asegúrese de que el área donde se usa el equipo esté bien ventilada. Consulte las proporciones de ventilación por dilución mínimas recomendadas de la página 7 definidas por las reglamentaciones federales y estatales y los lineamientos aceptados por la industria que correspondan.
- Antes de hacer funcionar la máquina, verifique que el sistema de ventilación del edificio esté encendido y funcione correctamente.
- Si no lee el libro antes de utilizar su máquina o de intentar realizar los procedimientos de reparación o mantenimiento de la misma, usted o el resto del personal podrían sufrir lesiones; asimismo, podrían producirse daños a la máquina o a otros bienes. Antes de utilizar la máquina, es necesario recibir la capacitación adecuada en el funcionamiento de la misma. Si usted o el operador no saben leer en inglés, pida a otra persona que les explique el libro exhaustivamente antes de intentar utilizar la máquina.
- Las partes móviles de esta máquina pueden causar lesiones graves y/o daños materiales. No permita que la ropa, cabello, manos, pies, y otras partes del cuerpo entren en contacto con el disco giratorio. Mientras está funcionando, mantenga a las demás personas alejadas de la máquina.
- El operador o las personas que se encuentran en el lugar pueden resultar heridos si la máquina está encendida mientras se cambia el disco pulidor o se le hacen ajustes. Nunca intente cambiar el disco pulidor o trate de hacerle ajustes a la máquina mientras el motor está funcionando.
- Los encendedores, llamas piloto y toda otra fuente de ignición pueden crear una explosión si se ponen en contacto con el propano. El propano es un combustible sumamente inflamable. Si es posible, apague o retire por completo todas las fuentes de ignición del área de trabajo. NO FUME cerca de los equipos para suelos alimentados a propano.
- Esta máquina emite monóxido de carbono. Se puede producir envenenamiento con monóxido de carbono si se usa la unidad en un área con ventilación insuficiente o inadecuada. Utilice la máquina exclusivamente en una zona bien ventilada. En caso de dolor de cabeza, apague la máquina. Un técnico cualificado deberá verificar las emisiones de monóxido de carbono antes de volver a usar la máquina. También verifique que el sistema de ventilación del edificio esté encendido y funcione correctamente.
- Las emisiones de monóxido de carbono peligrosas de esta máquina aumentan considerablemente si el purificador de aire de combustión está sucio. Siga las instrucciones del fabricante del motor para el mantenimiento del purificador de aire.
- El propano es muy inflamable. Si huele gas propano, apague la máquina y llévela afuera. Establezca y repare el origen de la pérdida antes de volver a encenderla. NUNCA ventile el gas propano dentro de un edificio. Desconecte la línea de combustible del tanque, retire el tanque de la máquina, y luego almacene el tanque de propano en un gabinete de almacenamiento seguro fuera del edificio. Almacenar propano embotellado dentro de un edificio es ILEGAL.

### ADVERTENCIA!

- Estar expuesto por mucho tiempo o continuamente a altos niveles de ruido puede causar la pérdida permanente del oído. Use siempre protección auditiva cuando utilice esta máquina.
- Se puede lesionar los ojos y/o el cuerpo si no usa vestimenta y/o equipo protector mientras utiliza esta máquina. Use siempre anteojos de seguridad y vestimenta de protección cuando utilice esta máquina.
- Si toca el silenciador o el caño de escape cuando están calientes puede quemarse o lesionarse. No toque el silenciador ni el caño de escape cuando están calientes.
- Todas las alteraciones o modificaciones realizadas sobre esta máquina pueden dañarla o lesionar al operador o a otras personas que se encuentren en el lugar. Las alteraciones o modificaciones no autorizadas por el fabricante anulan todas las garantías y responsabilidades.
- Para evitar lesiones y daños a la propiedad, no deje la máquina donde se la pueda comprometer o donde la puedan encender personas no capacitadas en su funcionamiento. Antes de utilizar la máquina, es necesario recibir la capacitación adecuada en el funcionamiento de la misma. NO deje la máquina funcionando sin vigilancia.
- Si se opera la máquina cuando el disco está descentrado, dañado, o faltante se pueden ocasionar daños considerables al suelo, la máquina o al personal. No opere la máquina si el disco está descentrado, o dañado, o faltante.
- Si se hace funcionar una máquina que tiene piezas sueltas se pueden ocasionar lesiones o daños a la propiedad. No haga funcionar esta máquina si tiene piezas sueltas. Inspeccione la máquina con frecuencia buscando piezas sueltas. De esta forma fomentará el funcionamiento seguro y una larga vida para la máquina.
- Las vibraciones de la maquinaria pueden causar cosquilleo o entumecimiento de los dedos en ciertas personas. El fumar, la humedad, la dieta y la herencia pueden contribuir a los síntomas. El uso de vestimenta abrigada, guantes, hacer ejercicios y evitar fumar pueden reducir los efectos de la vibración. Si los síntomas persisten, deje de operar la máquina.

## INTRODUCCIÓN

Los equipos para cuidado de suelos a propano de se fabrican en dos conceptos básicos: la pulidora/buñidora y la rasqueteadora. Ambos equipos tienen un diseño verdaderamente PORTÁTIL. Las pulidoras a propano se pueden describir como pulidoras ultra rápidas con la resistencia suficiente para producir superficies con alto brillo superior. Una vez que hace contacto con el suelo, la pulidora debe mantenerse en continuo movimiento. Según la velocidad a la cual usted camine será el resultado que obtenga. A velocidades más bajas se genera más calor y por lo tanto más lustre. Se recomienda un ritmo moderado para obtener mejores resultados y un funcionamiento seguro. **!!NUNCA CORRA CON LA PULIDORA!!** Aun así obtendrá un buen lustre, pero el riesgo de intentar detener la máquina en una situación de emergencia es inaceptable. Al pulir, evite las baldosas flojas, los tomacorrientes, los umbrales de las puertas y cualquier objeto que pueda entrar en contacto con el disco a excepción del suelo mismo. RECUERDE que el disco gira muy rápidamente.

Con el cuidado y el mantenimiento adecuado su inversión estará protegida y su máquina le servirá durante muchos años. Es de vital importancia prestar atención a estas indicaciones:

## PRECAUCIÓN!

**El exceso de combustible en el tanque de propano es la principal causal de problemas con las máquinas a propano. Puede hacer que el motor funcione mal o no funcione.**

**Además, el exceso de combustible le permite al propano líquido introducirse en el sistema de control de combustible con la posibilidad de arruinar el conjunto del regulador/de bloqueo. Lo cual anula la garantía sobre las piezas afectadas de la máquina. Para evitar problemas, lea detenidamente y comprenda la sección "Carga y almacenamiento de tanques de propano".**

**RECALENTAMIENTO** es una de las principales causas de avería del motor. Mantenga el filtro de la tapa de aire refrigerante limpio. Proteja su máquina; no permita que se acumule polvo de cera/pelusa en las aletas de refrigeración de los cilindros del motor. Un buen lavado a alta presión dirigido a las aletas cuando el motor esta frío puede evitar que esto ocurra.

**Poco aceite y aceite sucio** son responsables de la mayoría de las demás averías. Recomienda cambiar el aceite a intervalos regulares, quizá en exceso de lo sugerido en el manual del fabricante del motor. Controlar el aceite diariamente, antes de encender la máquina, es un buen hábito de adquirir y le puede llegar a ahorrar el tiempo y el gasto de tener que remplazar el motor por falta de aceite. **DESPUÉS DE CAMBIAR EL ACEITE, ASEGÚRESE DE HABER CAMBIADO EL SUMINISTRO DE ACEITE ANTES DE VOLVER A ENCENDER EL MOTOR.**



## INFORMACIÓN DE SEGURIDAD SOBRE EL PROPANO

### Datos sobre el gas propano líquido (LPG)

Como combustible, el gas propano no tiene rival tanto en seguridad como en confiabilidad. Se lo ha usado como combustible residencial doméstico por más de medio siglo, y por más de treinta años en los motores de combustión interna. El propano es un combustible sumamente inflamable que se guarda a presión en forma líquida. El gas vaporizado tiene fuerza explosiva similar a la gasolina y las mezclas, aun las de 2% de LPG-aire pueden encenderse en un entorno cerrado. Se debe tener cuidado para evitar los escapes de vapor que pueden helar la piel y ocasionar deterioro por congelación. El combustible vaporizado es más pesado que el aire y se acumula en el lugar cerrado más bajo disponible.

### Datos sobre los tanques de propano

Los tanques de propano se fabrican de acuerdo a los códigos de seguridad para presión N° 4ET20 del Departamento de Transporte de los Estados Unidos (DOT) o de la Sociedad americana de ingenieros mecánicos (ASME). Incluyendo el tanque, todas las válvulas y accesorios están incluidos en la lista UL. El gas propano no es corrosivo y no oxidará el interior del tanque. Si el exterior del tanque se daña o se oxida, deje de usarlo. NO comprometa los instrumentos del tanque ni las válvulas de seguridad. NUNCA use un tanque que no ha sido fabricado para usar con una pulidora a propano. NO sustituya tanques que se usan con una parrilla a gas, etc. recomienda hacer controlar los tanques una vez al año por un comerciante autorizado acreditado por la National LP Gas Association.

El fabricante suministra directamente el tanque de combustible y lo entrega sin combustible. Este tanque debe purgarse al llenarlo por primera vez. Los vendedores de combustible locales deben conocer esta operación y le facilitarán el servicio.

### Procedimientos recomendados para purgar

Cómo purgar cilindros para pulidora a gas propano líquido equipados con dispositivo para evitar el exceso de combustible.

Los recipientes nuevos pueden contener vapor, aire, u otros contaminantes. Es de vital importancia retirarlos antes de llenar el recipiente y ponerlo en servicio. Si el recipiente tiene aire puede producir presión anormalmente alta, y es posible que la válvula de seguridad se abra. Si el sistema tiene aire también es posible que la mezcla sea pobre, dificultando el encendido. Si se sospecha que el cilindro se ha despresurizado o abierto a la atmósfera durante un cierto tiempo, se lo debe volver a purgar como si fuera un recipiente nuevo.

### **Para purgar un recipiente, se deben seguir los siguientes pasos.**

La purga de los recipientes se debe efectuar en un área autorizada (ver NFPA N° 5 8) usando el procedimiento NPGA N° 13 3.89(a).

1. Determine si la presión del recipiente está en cero. Si el cilindro solo contiene aire comprimido, se debe ventilar el aire directamente a la atmósfera a través de la válvula de servicio usando un adaptador y la válvula de salida.
2. Presurice el recipiente a aproximadamente 15 psig con vapor de LPG. ¡Nunca purgue habiendo gas líquido! Si lo hace la humedad del vapor se enfriará y quedará dentro del cilindro. También, el LPG líquido se expande 270 veces a vapor y el proceso de purga resulta inútil. ¡Sólo use vapor de gas propano líquido!
3. Haga la conexión al acople rápido (lo más efectivo es un sistema de colectores múltiples). Abra completamente la válvula de servicio del cilindro y también la de salida. Ventile en una atmósfera segura. Se recomienda una chimenea de ventilación.
4. En los cilindros con dispositivo para evitar el exceso de combustible, el tiempo de purga ha sido incrementado por el nuevo diseño de la válvula. Abra la válvula de salida para aumentar la velocidad de la purga.
5. Repita los pasos N° 3 y N° 4 durante un total de CINCO purgas.
6. Vuelva a presurizar el recipiente a aproximadamente 15 psig con vapor de LPG odorizado.
7. El recipiente ya está listo para llenarlo con gas propano líquido.
8. Una vez lleno, verifique que ninguno de los accesorios y aberturas del tanque tenga pérdidas usando una solución detectora de pérdidas aprobada.
9. El recipiente ya está listo para ponerlo en servicio. Agregue las etiquetas DOT y OSHA.

### **Síntomas de un cilindro sin purga:**

- **La válvula de seguridad se abre porque es cilindro está demasiado presurizado y genera una situación peligrosa.**
- **Humedad en el cilindro.**
- **La pulidora funciona inicialmente pero luego se apaga cuando la mezcla de combustible se vuelve demasiado pobre.**

### Recarga y almacenamiento de tanques de propano

El Comité técnico de la Asociación nacional de protección contra el fuego de los EE.UU. (NFPA) prohíbe el almacenamiento de estos recipientes en los edificios. Hay pocas excepciones a la regla. En otras palabras: el gas propano NO debe almacenarse en edificios usados por el público o frecuentados por transeúntes o gente que trabaja en el lugar. Nunca deje tanques, ni llenos ni vacíos, en pequeños espacios cerrados. El o los tanques deben estar en un depósito seguro, a prueba de interferencias donde estarán protegidos de los accidentes y los vándalos. **LOS TANQUES DE PROPANO SIEMPRE SE DEBEN TRANSPORTAR, INSTALAR Y USAR EN POSICIÓN VERTICAL.**

### **LLENAR EXCESIVAMENTE LOS TANQUES DE PROPANO ES PELIGROSO.**

El tanque NUNCA debe estar completamente lleno de propano líquido. A 80% de su volumen total el tanque *SIEMPRE* será considerado lleno. **DEBE TENERSE EN CUENTA LA EXPANSIÓN.** Los tanques de la pulidora a propano están equipados con un indicador de nivel de líquidos fijo que hace contacto con el nivel del líquido a 80% de capacidad del recipiente, dejando un margen de 20% de expansión. La parte superior de este dispositivo se debe destornillar en dirección inversa a las agujas del reloj para que el vapor escape por los agujeritos del costado mientras se recarga el tanque. Cuando el vapor que escapa comienza a volverse líquido, se debe clausurar rápidamente el dispositivo y cerrar la boquilla del propano.

**\*\*IMPORTANTE\*\* El motor y el sistema de combustible de su máquina para suelos han sido diseñados para funcionar con combustible vaporizado y no combustible líquido. El exceso de combustible dañará el sistema de bloqueo y/o del regulador. Lo que ANULARÁ la GARANTÍA de estos componentes.**

## OPERACIÓN DE LA MÁQUINA

### Preparación de la máquina antes de usarla

ANTES de usar cualquier tipo de equipo motorizado, las nociones de seguridad indican que lo debe inspeccionar visualmente.

- Ajuste de la empuñadura -**
  - Ajuste la empuñadura a una altura cómoda tirando hacia fuera las dos clavijas a resorte a cada lado de la misma.
  - Mientras sostiene las clavijas hacia fuera, ajuste la empuñadura a la altura deseada.
  - Suelte las clavijas para que se inserten en la posición enganchada. NOTA: Puede resultar más fácil pararse de un lado de la empuñadura y extenderse al otro lado para hacer el ajuste.
- Filtro de la tapa-** Asegúrese que el filtro de aire de la tapa encima del motor está limpio. Se lo debe cambiar cada hora y limpiar minuciosamente antes de volver a usarlo.
- Nivel de aceite -**
  - Controle el NIVEL DE ACEITE del motor.
  - Con la pulidora bien nivelada, destornille el tapón amarillo de llenado de aceite, tire hacia fuera y limpie la varilla del nivel de aceite con un paño limpio.
  - Inserte la varilla en el tubo, pero NO no lo vuelva a atornillar.
  - Saque la varilla y controle el nivel de aceite asegurándose que está dentro del rango operativo marcado en la varilla. Si el nivel de aceite está dentro del rango "ADD" (agregar), agregue suficiente aceite para motor para llegar hasta el rango operativo. NOTA: NUNCA se exceda al cargar el aceite del motor porque le puede causar daño irreparable al motor.
- Llenado del tanque-** Llene el tanque siguiendo las instrucciones que se detallan en la sección anterior: "Recarga y almacenamiento de tanques de propano" Además, si su pulidora vino con un "Tanque de llenado seguro a 80%" entonces SÓLO se lo debe llenar por la válvula roscada de mayor diámetro que está cubierta por una tapa amarilla para garantizar la seguridad del nivel "Lleno".
- Disco y soporte del disco -**

Verifique el estado del disco y del soporte del disco.

  - Ajuste la empuñadura en la posición más vertical. (NOTA: Las clavijas deben estar en los orificios marcados "TILTBACK").
  - Tome la empuñadura con ambas manos y coloque el pie en la plataforma posterior de la bruñidora para mantener la estabilidad, tire la empuñadura hacia atrás e incline la máquina hacia atrás.
  - Deje que la empuñadura repose en el suelo para sostener la máquina en posición vertical.
  - Desde el lado del disco, inspeccione la máquina y/o haga los cambios. ¿Hay un disco? ¿Está ajustado correctamente? ¿En qué estado se encuentra? Asegúrese que el disco está limpio y tiene por lo menos 1/3 de pulgada de espesor. Apague siempre el motor antes de verificar el disco.
- El tanque y las líneas de combustible -** El tanque ya ha sido inspeccionado pero ¿las líneas de combustible muestran signos de desgaste y deterioro, tales como rajaduras o corrosión? Enrosque el adaptador de bronce de la línea de combustible a la válvula de servicio del tanque, sin ajustar. Esta conexión DEBE calzar bien porque la válvula de servicio tiene una válvula de seguridad interna que sólo se abrirá si el adaptador de bronce de la línea de combustible está TOTALMENTE asentado en la válvula de servicio.
- Área de contención del polvo -**

Verifique el área de contención del polvo y asegúrese de que esté limpia. Ésta es el área debajo del tanque de propano.

  - Retire el tanque de propano, levante la tapa negra y ubique el filtro tipo automotor.
  - Inspeccione el filtro. ¿Está sucio? ¿Necesita ser limpiado o reemplazado? Asegúrese que la canaleta - que está por fuera y debajo del nivel del filtro - esté limpia.
- Faldón para el polvo -** Verifique el estado del faldón que rodea la plataforma. ¿Está en buen estado? ¿En qué estado está el guardapolvo de caucho que conecta el faldón a la parte posterior de la plataforma? Reemplace el guardapolvo si está roto o rajado.

### Encendido del motor

- Abra la válvula de servicio del tanque de propano girando en sentido inverso a las agujas del reloj, aproximadamente una vuelta y media.
- En todas las máquinas sin embrague, asegúrese que la pulidora está inclinada hacia atrás y que el disco no toca el suelo.
- El motor está diseñado para arrancar con el estrangulador en la posición inactiva. Esto crea un vacío necesario para abrir la válvula de cierre dentro del regulador. El movimiento de la palanca del estrangulador mantendrá la válvula de cierre cerrada y el motor no recibirá combustible de manera que el motor no arrancará. El mantenimiento adecuado asegurará un arranque fácil.
- Haga funcionar el arranque durante un MÁXIMO de 5 ó 6 segundos o hasta que el motor arranque. Si se excede este lapso se puede ocasionar daño grave al arranque y es posible que la garantía no lo cubra.
- Haga funcionar el motor con el regulador de gases por la mitad aproximadamente durante dos minutos para que se caliente bien. Luego póngalo en máxima potencia para obtener los mejores resultados.  
NOTA: Si el motor no quiere arrancar, vea la Guía de resolución de problemas.

### Parada del motor

- Cierre la válvula de servicio del tanque de propano, girando en dirección de las agujas del reloj. Así se consume todo el propano que queda en la línea de combustible.
- SIEMPRE deje que el motor funcione hasta que se detenga por falta de combustible, y luego apague el interruptor de llave. \*\* ÚNICAMENTE EN UNA EMERGENCIA debería usarse la llave de emergencia de la pulidora.
- Desconecte la línea de combustible del tanque.
- RECUERDE, cuando termine de trabajar con la máquina, guarde el tanque de propano fuera del edificio, en un lugar alejado del calor y de los rayos del sol.

## MANTENIMIENTO Y AJUSTES

### Información sobre el control de emisiones

Para proteger el ambiente que habitamos, el fabricante ha incorporado sistemas de control (EM) de emisiones del cárter motor (1) y de emisiones de escape (2) en cumplimiento de la reglamentación correspondiente de la Agencia de protección medioambiental de los Estados Unidos y la Junta de Recursos Aéreos de California.

1. **Sistema de control de emisiones del cárter motor** - Para eliminar los gases evacuados se usa un sistema hermético de control de emisiones del cárter motor. Los gases evacuados se dirigen a la cámara de respiración a través del cárter motor. Luego, son dirigidos al purificador de aire. Al pasar del cárter al interior de la cámara de respiración se separa el aceite de los gases, y luego se lo devuelve a la parte inferior del cárter.
2. **Sistema de control de emisiones de escape** - El sistema de control de emisiones de escape que se usa en este motor consiste de un carburador y un sistema de encendido con óptimas características de sincronizado de ignición. El carburador ha sido calibrado para suministrar mezcla de aire-combustible pobre y óptima economía del combustible con un sistema de purificación de aire y escape adecuado.

### Prohibido interferir con el sistema de control de emisiones

La legislación federal y la legislación del Estado de California prohíben los siguientes actos o su comisión: (1) el retiro o inutilización por parte de cualquier persona con cualquier propósito que no sea mantenimiento, reparación o reemplazo, de cualquier dispositivo o elemento del diseño incorporado a cualquier motor nuevo con el propósito de controlar las emisiones con anterioridad a la venta o entrega al comprador final o mientras se encuentra en uso, o (2) el uso del motor después que ese dispositivo o elemento del diseño ha sido retirado o inutilizado por cualquier persona.

Entre los actos que presuntamente constituyen interferencia están aquéllos listados a continuación:

No interfiera con las piezas originales relacionadas con la emisión.

>Carburador y piezas internas

> Bujías (Solamente se pueden utilizar bujías de calidad OEM y con número de parte para reemplazar las bujías OEM que venían equipadas con la máquina de fábrica).

>Sistema de encendido electrónico o magnético

> Filtros de aire (Solamente se pueden utilizar filtros de aire de calidad OEM y con número de parte para reemplazar los filtros OEM que venían equipadas con la máquina de fábrica).

>Cárter motor

>Tapas de cilindro

>Cámara de respiración y piezas internas

>Toma de aire y tubería

### Mantenimiento y ajustes generales

1. **Sistema de control del polvo** - Para garantizar la seguridad personal, los ajustes deben ser hechos ÚNICAMENTE por un técnico calificado en sistemas LPG o por un centro de servicio autorizado, con un analizador de gas de escape. No utilice la máquina si los niveles de monóxido de carbono exceden las normas OSHA.
2. **Cambio del disco** -
  - (a) Acomode la empuñadura en su posición más vertical (Nota: Las aletas deben estar en el orificio marcado "TILTBACK").
  - (b) Sosteniendo la empuñadura con ambas manos y estabilizándose con un pie en la parte posterior de la plataforma de la bruñidora, tire de la empuñadura e incline la máquina hacia atrás.
  - (c) Deje que la empuñadura repose en el suelo para sostener la máquina en posición vertical.
  - (d) Ahora mueva la máquina del lado del disco.
  - (e) Tome la presilla de metal, ubicada en el dispositivo de cierre central blanco, entre el dedo índice y el pulgar y apriete. Así permite que el retén del disco se suelte.
  - (f) Retire el disco usado.
  - (g) Instale el disco nuevo centrándolo con cuidado contra el sujetador plástico con forma de arpón.
  - (h) Vuelva el retén del disco a su lugar colocándolo a presión (Nota: El anillo de cierre central debería "encajar" dos veces).
  - (i) Verifique la rotación del motor del disco. El descentramiento del disco no debería exceder 1/4 de pulgada.
3. **Cambio de la correa** -
  - (a) Incline la máquina para atrás como haría para cambiar el disco.
  - (b) Con una llave española de 3/4 de pulgada, sujete el eje desde el lado del motor de la plataforma y haga girar el motor del disco para sacarlo.
  - (c) Con la misma llave española afloje la tensión de la correa rotando el tensor Lovejoy hacia la correa.
  - (d) Suelte el tensor Lovejoy y con cuidado retire la correa que pasa entre el embrague del motor y la polea de mando.
  - (e) Ahora instale la correa nueva sobre el embrague y la polea usando la llave para volver a aflojar la tensión del tensor Lovejoy hasta que la correa esté en posición.
  - (f) Suelte el tensor Lovejoy para aplicar tensión sobre la correa. (Nota: la flecha del tensor Lovejoy debe apuntar hacia los 30°. Si no es así, reajuste el tensor primero aflojando y luego ajustando el perno que lo sostiene a la plataforma).
  - (g) Reinstale el motor del disco.
4. **Cambio de aceite del motor** -



## ¡ADVERTENCIA!

¡Cambiar el aceite a uno con viscosidad no aprobada por OEM puede cambiar salida de emisión del motor!

- (a) Encienda y caliente el motor para que el aceite se purgue con facilidad.
- (b) Detenga el motor.
- (c) Nivele bien la pulidora.
- (d) Retire el tubo de plástico transparente de su soporte y rótelo para que purgue dentro de un recipiente.
- (e) Tome el purgador de aceite de accionamiento rápido de 1/4 de vuelta y gire en dirección inversa a las agujas del reloj. Así permitirá que se purgue el aceite del motor.
- (f) Cuando ha terminado de purgar, gire el accionamiento rápido 1/4 de vuelta en dirección de las agujas del reloj para cerrar y guardar el tubo de plástico transparente en su posición vertical.

## MANTENIMIENTO Y AJUSTES

### 5. Cambio del filtro de aceite -

- Usando una llave de cinta o una llave para filtro de aceite, gire el filtro de aceite en dirección de las agujas del reloj. Nota: Antes de destornillar el filtro de aceite, coloque un recipiente adecuado debajo de la bandeja de goteo de aceite para recoger el aceite que cae del filtro o de otros pasajes del motor.
- Limpie la base del filtro de aceite del motor.
- Aplique una capa delgada de aceite de motor a la junta del filtro de aceite.
- Instale el filtro girando en dirección de las agujas del reloj hasta que la junta toque la superficie de montaje del motor.
- Luego gire el filtro a mano  $\frac{3}{4}$  de vuelta más.
- Haga funcionar el motor a la velocidad mínima durante 2 minutos y verifique si el filtro de aceite y las líneas de purga pierden.

### 6. Ajuste de la presión del disco -

- Incline la máquina para atrás como haría para cambiar el disco.
- Para aumentar la presión del disco, mueva las ruedas hacia atrás. Para ello, desconecte la horquilla de la abrazadera. Deslice la abrazadera hacia afuera y mueva la rueda hacia el orificio posterior de la ruedecilla. Vuelva a insertar la abrazadera y sujete la horquilla.
- Para disminuir la presión del disco, use el mismo procedimiento y mueva la rueda hacia delante.

### **Se recomienda una interrupción de 8 horas (50 horas en adelante) en los elementos de mantenimiento**

- >Cambiar el aceite del motor.
- >Controlar si el motor del disco tiene piezas sueltas.
- >Controlar el desgaste y deslizamiento de la correa.
- >Controlar la tirantez de la polea del motor.
- >Controlar los pernos de la rueda.
- >Controlar los pernos de montaje del motor.
- >Controlar los pernos de la empuñadura.
- >Controlar que no haya pérdidas de aceite en las diferentes juntas del motor.

### **Intervalos recomendados para el cambio de aceite**

No exceda el intervalo para el cambio de aceite. Los cambios de aceite más frecuentes que 50 horas darán una vida útil del motor aún más prolongada. En cualquier caso, siempre use aceite para el motor 30HD o 10W30 con las siguientes clasificaciones API: SJ o superior. Asegúrese que el nivel de aceite se mantenga en el nivel COMPLETO.

### **Mantenimiento recomendado a las 100 horas**

El filtro recolector del polvo debe cambiarse cada 100 horas.

Cambio de filtro de aceite cada 100 horas en operación.

### **Mantenimiento recomendado a las 200 horas**

Lleve la máquina a un centro de servicio autorizado para una revisión general.

El filtro de entrada de aire del motor siempre debe reemplazarse cada 200 horas.

- >Verifique el ajuste de la válvula del motor

## OPERACIÓN CARB GARD

Carb Gard es un dispositivo de alarma que le avisa al operador que la máquina necesita el service.

- Al encender el motor, el LED VERDE de "Alerta" comenzará a destellar. Continuará destellando durante 3 minutos. Así el motor y el sensor de oxígeno (montado sobre el colector de escape) tienen tiempo suficiente para calentarse. Durante este tiempo se puede hacer funcionar la bruñidora.
- Pasados 3 minutos, el LED de Alerta dejará de destellar.
  - Si el motor está inactivo, el LED AMARILLO de "Inactividad" comenzará a destellar. Éste le permite al motor estar inactivo durante 2 minutos.
  - Pasados 2 minutos, el motor se apagará y el LED de inactividad se mantendrá encendido para notificar al operador por qué se apagó la máquina. (Nota: Si esto ocurre, sencillamente gire la llave de contacto a la posición OFF (apagado). De esta manera se restaura el Carb Gard. Vuelva a arrancar el motor normalmente y continúe la operación).
  - Si en algún momento durante los 2 minutos de cuenta regresiva, se acelera el motor al máximo, el LED dejará de destellar y el Carb Gard comenzará a monitorear el sensor de oxígeno.
  - Si se permite que la velocidad del motor descienda nuevamente a la posición inactiva, el LED de inactividad comenzará nuevamente a destellar durante otros 2 minutos.NOTA: Cada vez que se acelera el motor y luego se permite que la velocidad descienda, comienza nuevamente la cuenta regresiva de 2 minutos.
- Una vez que se acelera el motor, el Carb Gard comienza a monitorear el sensor de oxígeno buscando monóxido de carbono (CO).
  - Si en algún momento durante la velocidad máxima el Carb Gard detecta una salida de CO mayor de la normal, activará el LED ROJO de "Servicio", el cual comenzará a destellar.
  - Si el LED ROJO de servicio destella continuamente durante 1 minuto, el motor se apaga y el LED ROJO de servicio se mantiene encendido para notificar al operador por qué se apagó el motor.NOTA: Carb Gard monitorea continuamente la salida de CO. Si la salida de CO baja, el LED de servicio deja de destellar. Si la salida de CO sube, comienza a destellar nuevamente. ÚNICAMENTE después de destellar continuamente durante 1 minuto se apaga el motor.

## RESOLUCIÓN DE PROBLEMAS

Cuando hay algún problema, no deje de verificar las causas más simples que en un primer momento pueden resultar demasiado obvias para tenerlas en cuenta. Por ejemplo, el problema de arranque puede ser debido a la falta de alimentación que se debe a que el cilindro de propano está vacío, o que la válvula de servicio no se abrió. Si no verifica estas posibilidades, se puede quemar el arranque.

1. **EXCESO DE VIBRACIÓN** - Algunas de las posibles causas:
  - (a) El disco está descentrado. Sáquelo y vuelva a instalarlo.
  - (b) El motor del disco está doblado o rajado. (Posiblemente por golpear un cordón o un perno en el suelo.) Cámbielo inmediatamente por una pieza nueva.
  - (c) Los cojinetes en el montaje extremo frontal están desgastados. Coloque la máquina sobre su lado opuesto al silenciador y varilla de nivel de aceite. Tome el accionamiento del disco y mueva hacia arriba, hacia abajo y de lado a lado para verificar que no haya holgura en los cojinetes. Si este fuera el caso, entonces para llevar a cabo una reparación adecuada, los cojinetes deberán reemplazarse y posiblemente el eje. Póngase en contacto un centro de servicio autorizado.
  - (d) Verifique si los pernos del alojamiento del eje están ajustados. Fíjese si las tuercas, bulones y arandelas del acoplamiento flexible están en posición y ajustados.
2. **EL MOTOR ARRANCA Y FUNCIONA, PERO SE APAGA EN CUANTO SE ADELANTA EL REGULADOR** - Es posible que la válvula de servicio del tanque de propano esté fallando. Para verificar, cierre completamente la válvula y vuelva a abrirla lentamente mientras escucha esperando el "clic" del gas que empieza a pasar por la válvula. Si escucha este sonido muy bajo, lo que está ocurriendo es que la válvula sólo se abre parcialmente. Permite que pase suficiente gas para arrancar y hacer funcionar el motor, pero no es suficiente para la operación a máxima potencia. A medida que se adelanta el regulador, permitiendo que entre más aire, el motor se apaga por falta de combustible. Llame a su representante para que le informen dónde debe ir a cambiar la válvula de servicio. Mientras tanto, momentáneamente, puede continuar abriendo la válvula de servicio hasta que no escuche el "clic" y entonces el motor funcionará normalmente. De no ser así, póngase en contacto con su representante de ventas o de servicio.
3. **LA PULIDORA PARECE FUNCIONAR BIEN PERO SE APAGA TAN PRONTO SE APOYA EL DISCO EN EL SUELO O INSTANTES DESPUÉS** - Verifique si es el mismo problema del punto N° 3.
4. **RUIDO EXCESIVO DEBAJO DE LA PULIDORA** - Si este problema apareció después de usar una máquina nueva, el primer lugar que hay que verificar es el tensor Lovejoy. A medida que la correa nueva se va acomodando, es natural que se estire un poco y que el tensor comience a hacer ruido. Coloque el parachoques sobre su lado (con el silenciador hacia abajo) y vuelva a ajustar tensando la correa y apretando el tensor Lovejoy.
5. **EL ARRANQUE CASI NO HACE GIRAR EL MOTOR o EL SOLENOIDE NO HACE MÁS QUE "CLIC" EN LOS MODELOS CON OPCIÓN DE 12 VOLTIOS** - Es posible que le falte carga a la batería. Esto se puede remediar recargando la batería con un cargador de baterías de 12 voltios a 3-12 amperios. La batería está ubicada por debajo del bastidor en la parte trasera del parachoques. El borne positivo es el que tiene el cable ROJO. Siga las instrucciones del cargador de baterías. RECUERDE: esto seguirá ocurriendo a menos que el motor de la bruñidora funcione durante suficiente tiempo entre arranques para recargar la batería.
6. **EL MOTOR HACE EXPLOSIONES FUERTES Y DE MANERA REGULAR ABRUPTAMENTE** - Verifique los guardapolvos de las bujías. Es posible que haya uno rajado, probablemente por haber entrado en contacto con la esquina de un estante o el marco de una puerta. Retire el cable de la bujía de encendido y reemplace el guardapolvo por uno nuevo. El motor debería funcionar normalmente. De no ser así, póngase en contacto con su representante de ventas o de servicio.

## LISEZ CE MANUEL

Ce Manuel contient des informations importantes concernant l'utilisation et le fonctionnement de cette machine dans des conditions de sécurité optimales. La non-lecture de ce manuel avant d'utiliser ou d'entretenir votre machine risque de provoquer un accident ou d'endommager la machine ou son environnement. Vous devez avoir été formé à l'utilisation de cette machine avant de l'utiliser. Si l'opérateur n'est pas en mesure de lire ce Manuel, il devra se le faire expliquer entièrement avant de tenter d'utiliser cette machine.

Toutes les directions données dans ce Manuel le sont par rapport à la position de l'opérateur, à l'arrière de la machine.

## TABLE DES MATIÈRES

Sécurité liée aux émissions du moteur et de CO .....	C-2
Spécifications de la machine .....	C-8
Consignes de sécurité pour l'utilisateur .....	C-9
Introduction .....	C-10
Information de sécurité sur le propane .....	C-11
Comment utiliser la machine .....	C-12
Entretien et réglages .....	C-13
Fonctionnement du Carb Gard .....	C-14
Dépannage .....	C-15
SECTION P - Manuel des pièces .....	P-2 - P-17

## DANGER!

- \* Si vous ne comprenez pas tout ou partie des avertissements ou des directives visant à déterminer si votre ventilation est « adéquate », vous DEVEZ contacter un hygiéniste industriel, un expert de la sécurité du travail ou tout autre professionnel de la sécurité pour déterminer les recommandations et les normes appropriées à l'environnement dans lequel ce produit sera utilisé.
- \* Utilisez cette machine uniquement dans une pièce bien aérée, quand un détecteur individuel de monoxyde de carbone (CO) est utilisé et lorsqu'une deuxième personne a été désignée pour veiller sur vous.

C'est la responsabilité du propriétaire/opérateur de s'assurer qu'un ventilateur échangeur d'air de pression positive ou négative est utilisé dans n'importe quel endroit où une machine d'entretien à plancher au propane est mise en fonction afin de soutenir une admission d'air frais suffisante à l'opérateur pendant l'utilisation d'une telle machine. L'OSHA et d'autres comités, états, ou agences fédéraux publient des directives pour l'utilisation sécuritaire de la machine à propos des émissions d'échappement et l'exposition de Co dans le lieu de travail. Le manque de la part du propriétaire/de l'opérateur de s'assurer qu'une machine d'entretien à plancher au propane est mise en fonction de manière sans risque selon l'OSHA ou les directives locales de qualité de l'air à l'intérieur des locaux dans un endroit donné peut mener à des blessures, à la maladie ou même aux pertes humaines. Pour être parfaitement au courant de ce que les autorités locales peuvent exiger, communiquez avec le commissaire des incendies de votre communauté.

Ce manuel du propriétaire/guide des procédures de sécurité a été préparé pour la promotion des besoins éducatifs uniquement et ne réclame pas ou n'assume pas aucune responsabilité pour les actions ou la sécurité de l'opérateur.

## SÉCURITÉ LIÉE AUX ÉMISSIONS DU MOTEUR ET AU CO

Le but de ce document est de fournir une information sur :

- Les effets possibles d'une exposition au CO ;
- Les méthodes de réduction de risque d'empoisonnement par CO
- Les méthodes utilisées pour déterminer l'importance de l'exposition potentielle au CO produit par l'équipement.

## DANGER!

Tous les moteurs alimentés au GPL (gaz propane liquide), y compris ce moteur, produisent du monoxyde de carbone (CO). Il s'agit d'un **POISON MORTEL** sous la forme d'un gaz incolore, inodore, insipide et non irritant. Il est issu d'une combustion incomplète de matière carbonée telle que le propane (GPL).

Tout manquement à fournir une ventilation adéquate du CO produit lors de l'alimentation du moteur par la combustion peut entraîner de SÉRIEUSES BLESSURES OU LA MORT pour l'utilisateur et les personnes se trouvant dans la zone contaminée.

Les effets du CO peuvent se déclarer à différents niveaux d'exposition, selon la santé de l'individu. Les conditions affectant la tolérance d'un individu sont le tabagisme, l'âge, la température, l'humidité et autres.

**⚠ AVERTISSEMENT!**

Veillez lire et comprendre le manuel de l'utilisateur dans sa totalité avant d'utiliser cette machine

Ce document explique comment le CO produit peut être géré de façon à réduire le risque d'empoisonnement au monoxyde de carbone.

Tous les distributeurs, propriétaires et utilisateurs doivent être conscients des effets potentiels du CO et des méthodes utilisées pour prévenir la surexposition.

Se dédie à nos clients, à leur sécurité et à la délivrance d'information, de services et de produits répondant à ces besoins.

**⚠ AVERTISSEMENT !**

Les Produits vendus avec le présent manuel contiennent ou peuvent contenir des produits chimiques reconnus par certains gouvernements (comme l'État de Californie, par le biais de la proposition de loi d'avertissement réglementaire 65) comme provoquant des cancers, des anomalies congénitales et autres dangers pour la reproduction. Dans certains endroits (comme l'État de Californie), les acheteurs de ces Produits, qui les utilisent sur un lieu de travail ou dans un espace public, ont l'obligation d'apposer certains avis, avertissements ou informations concernant les produits chimiques qui sont ou peuvent être contenus dans les Produits dans ces lieux ou aux alentours de ces lieux de travail. Il incombe à l'acheteur de connaître les dispositions de, et de respecter, toutes les lois et réglementations ayant trait à l'utilisation de ces Produits au sein de tels environnements. Le Fabricant rejette toute responsabilité d'informer les acheteurs concernant des exigences spécifiques qui peuvent s'appliquer à l'utilisation des Produits dans de tels environnements.

**PRÉSENTATION GÉNÉRALE DU DOCUMENT**

L'information fournie dans la présentation suivante a été condensée pour fournir au lecteur un résumé du matériel présenté.

**Effets possibles d'une exposition au CO**

- Les directives concernant les limites d'exposition professionnelles au CO diffèrent considérablement d'un pays à l'autre. Par exemple, la limite d'exposition autorisée (PEL) de l'OSHA est fixée à 50 ppm pour le CO, en tant que moyenne pondérée dans le temps sur 8 heures (TWA) ; cependant, certains pays ont adopté la valeur limite d'exposition (TLV) de l'ACGIH de 25 ppm de CO. Certains états (comme le Minnesota) ont appliqué un TWA PEL de 35 ppm de CO avec un plafond autorisé inférieur ou égal à 200 ppm.
- Définition des effets du CO - les effets toxiques du monoxyde de carbone dans le sang sont le résultat qu'une hypoxie des tissus (manque d'oxygène). La gravité dépend de l'état d'activité de l'individu et des besoins de ses tissus en oxygène.

**Méthodes de réduction des risques d'empoisonnement au CO**

- Renouvellement d'air et diffusion du CO – le CO ne se mélange pas à l'air par lui-même. Des courants d'air peuvent « brasser » le CO et diluer les valeurs de concentration en le mélangeant à l'air disponible. Lorsque vous utilisez un équipement sur une zone importante en un temps réduit, le brassage se fait lorsque vous marchez.
- Considérations d'application (Polir versus décaper) – lorsque l'activité se concentre sur une zone réduite telle que pour l'application de décaper, le brassage de l'air doit être forcé en utilisant des ventilateurs pour réduire le risque de concentration élevée en CO.
- Surveillance de qualité de l'air – Le déploiement d'un moniteur/détecteur pour l'alimentation d'air frais continu et suffisant est essentiel pour le fonctionnement sécuritaire de n'importe quel équipement qui a le potentiel de produire du CO. REMARQUE : détecteur de CO « Dead Stop » fourni dans la pochette de brochures. Numéro de la pièce de rechange 98758A.
- Estimations du temps et de la taille de la pièce – la concentration et le volume de la production de CO, la taille de la zone et l'importance du renouvellement d'air sont des facteurs pris en compte dans la détermination des limites de temps de sécurité pour l'utilisation dans une pièce de taille spécifique.
- Maintenance de l'équipement — Les moteurs LPG dépendent de la mise au point du moteur et du remplacement du filtre à air. Les émissions d'échappement toxiques de CO augmentent sévèrement lorsque les moteurs LPG tournent faiblement ou ont été mal entretenus. Suivez le programme d'entretien recommandé pour le moteur.
- Équipement de sécurité disponible. - Système de surveillance et de régulation automatisé du rapport combustible-air d'Envirogard pour une combustion optimale, pot catalytique pour épurer le CO, les hydrocarbures (HC) et les oxydes d'azote (NOx) de l'échappement du moteur assurant le taux d'émission le plus faible possible, ventilateurs à haute capacité de refroidissement (CFM) (mélange d'air frais forcé), et analyseurs de combustion numériques pour surveiller les émissions du tuyau d'échappement arrière.

## SÉCURITÉ LIÉE AUX ÉMISSIONS DU MOTEUR ET AU CO

### Effets possibles d'une exposition au CO

- Directives concernant les limites d'exposition au CO sur le lieu de travail/industrie.
- Définition des effets du CO

### Directives concernant les limites d'exposition au CO sur le lieu de travail/industrie.

Les limites de l'exposition admissible au CO varient sensiblement d'une région à l'autre. Les exigences locales, fédérales et industrielles doivent être consultées avant d'utiliser tout équipement.

La limite admissible d'exposition (PEL) de la loi sur la santé et la sécurité au travail (OSHA) actuelle pour le CO est de 50 ppm, pour une moyenne de 8 heures (TWA – moyenne pondérée dans le temps). Ceci est calculé en prenant des mesures à intervalles sur 8 heures, puis en ajoutant la somme des concentrations et les intervalles et en divisant le tout par 8 heures. Par exemple :

Heure	intervalle	PPM	
8:00-9:00	1 HR	100	
9:00-10:00	1 HR	25	
10:00-11:00	1 HR	25	
11:00-12:00	1 HR	50	
12:00-1:00	1 HR	50	Total 400ppm/8HR=50ppm TWA
1:00-2:00	1 HR	50	
2:00-3:00	1 HR	50	
3:00-4:00	1 HR	50	
Total intervalle de temps et PPM	8 HR	Total ppm = 400k	

Les valeurs IDLH (immediately dangerous to life and health) de niveau de CO conseillées par l'institut national pour la santé et l'hygiène professionnelle actuelle sont de 1 200 ppm. L'institut national pour la santé et l'hygiène professionnelle définit le niveau d'exposition IDLH comme la concentration pouvant entraîner la mort ou des effets irréversibles sur la santé, ou empêchant l'évacuation de l'environnement contaminé dans un délai de 30 minutes.

### Définition des effets du CO

Les effets toxiques du monoxyde de carbone dans le sang sont le résultat d'une hypoxie des tissus (manque d'oxygène). Le monoxyde de carbone se combine à l'hémoglobine sous la forme de carboxyhémoglobine. Puisque le CO et l'oxygène réagissent avec le même groupe dans la molécule d'hémoglobine, la carboxyhémoglobine est incapable de transporter l'oxygène. L'affinité de l'hémoglobine avec le CO est de 200 à 240 fois plus importante qu'avec l'oxygène. L'étendue de la saturation de l'hémoglobine en CO dépend de la concentration du gaz, de la quantité d'air inspiré et du temps d'exposition. La gravité dépend de l'état d'activité de l'individu et des besoins de ses tissus en oxygène.

Selon les Principes de Médecine Interne de Harrison (7<sup>ème</sup> Edition), aucun symptôme ne se développe pour une concentration de 0,01% CO (100ppm) dans l'air inspiré puisque ceci n'augmente pas la saturation du sang au-delà de 10%. L'exposition à 0,05%(500ppm) pour 1 heure lors d'une faible activité produira une concentration de 20% de carboxyhémoglobine dans le sang et entraînera des maux de tête légers ou violents. Une activité plus importante ou une exposition plus longue entraîne une saturation du sang de 30 à 50 %. À ce stade, des maux de tête, de l'irritabilité, de la confusion, des vertiges, des troubles visuels, des nausées, des vomissements et des évanouissements peuvent être rencontrés. Pour une exposition d'une heure à des concentrations de 0,1% (1000ppm) dans l'air inspiré, le sang contiendra 50 à 80 % de carboxyhémoglobine, ce qui peut entraîner un coma, des convulsions, des difficultés respiratoires et la mort. Pour l'inhalation de concentration élevées de CO, la saturation du sang augmente si rapidement que l'évanouissement peut se produire soudainement et sans prévenir.

## SURVEILLANCE DE LA QUALITÉ DE L'AIR

### ⚠ AVERTISSEMENT!

Le déploiement d'un moniteur/détecteur est essentiel pour le fonctionnement sécuritaire de tout équipement qui a le potentiel de produire du CO. Les sondes/détecteurs de CO ont été offerts sur le marché pour le grand public autour de 1978. Actuellement, plusieurs marques se vendent pour environ cinquante dollars. Les principales différences entre les technologies impliquées sont les types à piles ou électriques et semi-conducteur ou biomimétique. Les détecteurs pour monoxyde de carbone (CO) sont fabriqués et commercialisés sur le marché pour l'usage résidentiel ou dans des aménagements industriels professionnels. Les détecteurs pour l'usage résidentiel sont des dispositifs qui déclencheront une alarme avant que les concentrations de CO deviennent dangereuses dans la maison. Il existe une norme de rendement (UL 2034) de *Underwriters Laboratories, Inc.*, pour les détecteurs de CO résidentiels. Les détecteurs offerts en ce moment sur le marché sont alimentés à l'aide de piles, muraux, protecteur personnel portatif porté par l'opérateur, enfichable ou branché ou sur circuit en fil métallique. Certains modèles incorporent une visualisation des parties par million (ppm) de concentrations de CO présentes dans la maison. Pour de plus amples renseignements à propos des détecteurs de CO pour l'usage résidentiel, veuillez communiquer avec le service d'assistance téléphonique de la *Consumer Product Safety Commission* au numéro sans frais 1-800-638-2772. Les installations de détecteurs de CO pour l'usage résidentiels ne sont pas conçues pour l'utilisation dans des aménagements de lieu de travail ordinaires. Les conditions de surveillance dans un aménagement professionnel sont différentes des exigences de surveillance dans une résidence. Dans le lieu de travail, il est fréquemment nécessaire de surveiller l'exposition d'un ouvrier au monoxyde de carbone au cours d'un quart de travail entier et de déterminer la moyenne pondérée dans le temps de la concentration de l'exposition. Il peut également être nécessaire d'avoir des moniteurs de monoxyde de carbone avec des capacités d'alarme dans le lieu de travail. Les instruments à lecture directe sont fréquemment équipés d'alarmes audio et/ou visuelles et peuvent être utilisés pour la surveillance à l'exposition personnelle/de l'endroit. Certains possèdent des microprocesseurs et une mémoire pour stocker les lectures de concentration de CO prises pendant le jour. Il est important de prendre note que certains des dispositifs mentionnés pour la surveillance de CO sur le lieu de travail ne sont pas capables de surveiller les moyennes pondérées dans le temps, et ce ne sont pas tous les appareils qui sont munis d'alarmes. Le moniteur de protection personnel approprié doit être choisi sur une base d'application par application. Pour de plus amples renseignements sur la disponibilité des moniteurs de CO sur le lieu de travail ou de leur application, veuillez communiquer avec le *National Institute for Occupational Safety and Health* au numéro 1-800-35-NIOSH (1-800-356-4674).



## MÉTHODE DE RÉDUCTION DES RISQUES D'EMPOISONNEMENT AU CO

- \* Renouvellement d'air et diffusion du CO
- \* Considérations d'application (Polir versus décaper)
- \* Surveillance de la qualité de l'air
- \* Estimations du temps et de la taille de la pièce
- \* Entretien de l'équipement
- \* Équipement de sécurité disponible

### Renouvellement d'air et diffusion du CO

La méthode la plus fiable pour prévenir l'empoisonnement par CO est de s'assurer que tout le CO produit est déchargé vers l'extérieur. Avec des poêles à bois ou des chauffages au gaz, ceci peut être fait par un conduit transportant l'échappement et le CO à l'extérieur. L'équipement à combustion mobile peut être utilisé de telle manière que le CO ne puisse pas augmenter jusqu'à un niveau dangereux ou nocif.

Le CO ne se dissipe pas automatiquement ou ne se brasse pas à l'air par lui-même. Des courants d'air peuvent « brasser » le CO et diluer les valeurs de concentration ou ppm en le mélangeant à l'air disponible. Lorsque vous utilisez un équipement sur une zone importante en un temps réduit, le brassage se fait lorsque vous marchez, en d'autres termes, votre zone d'impact effective est importante. Lorsque l'activité se concentre sur une zone réduite telle que pour l'application de décapage, la zone d'impact effective est réduite et le brassage de l'air doit être forcé en utilisant des ventilateurs pour augmenter la zone d'impact effective et réduire le risque de concentration élevée en CO.

Les taux de renouvellement d'air (le renouvellement d'air est défini comme l'air d'échappement interne renvoyé vers l'atmosphère externe), la taille de la zone d'impact effective, l'importance du CO produit, le niveau d'activité humaine et la durée de l'exposition sont tous des facteurs déterminants dans la production de carboxyhémoglobine et dans l'importance de la saturation du sang en CO. Assurez-vous que la zone dans laquelle l'équipement est utilisé est correctement aérée. Consultez les taux de ventilation par dilution minimums recommandés à la page 7, qui sont déterminés par les réglementations fédérales et nationales, ainsi que les directives acceptées au sein de l'industrie.

### Considérations d'application (Polir versus décaper)

Lorsque vous utilisez un équipement sur une zone importante en un temps réduit, comme pour la plupart des applications de polisseuse, votre zone d'impact effective est importante. Lorsque l'activité se concentre sur une zone réduite telle que pour l'application de décapage, la zone d'impact effective est réduite et le brassage de l'air ou le brassage du CO DOIT être forcé en utilisant des ventilateurs pour augmenter la zone d'impact effective et réduire le risque de concentration élevée en CO.

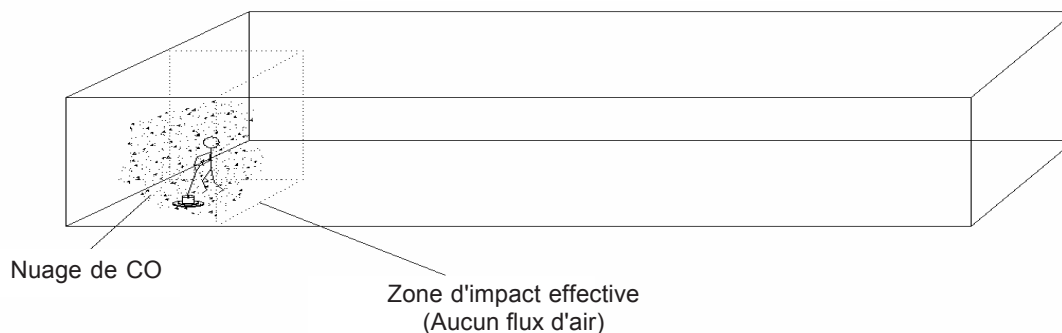
Attention : Le brassage de l'air en lui-même peut ne pas être suffisant pour réduire le CO à un niveau acceptable.

La zone d'impact effective peut être définie comme la zone couverte en un temps donné.

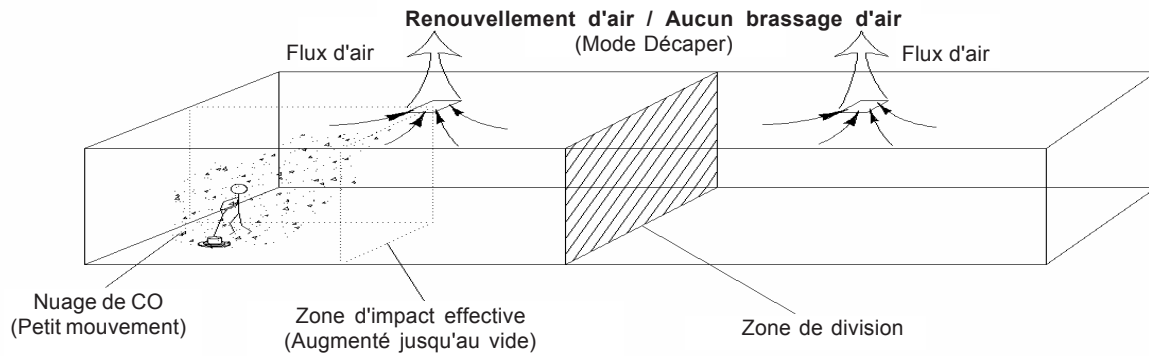
Le décapage est une opération assez différente du polissage, et comporte plus de risques appréciables, puisque le décapage implique un mouvement lent comparé au polissage (surface au sol réduite pour un même temps donné). Comme présenté sur le modèle 1, les concentrations en CO augmentent beaucoup plus rapidement lorsque la « zone d'impact effective » est très réduite comparée à la taille totale du bâtiment.

### MODÈLE 1

Aucun renouvellement d'air / Aucun brassage d'air  
(Mode Décaper)

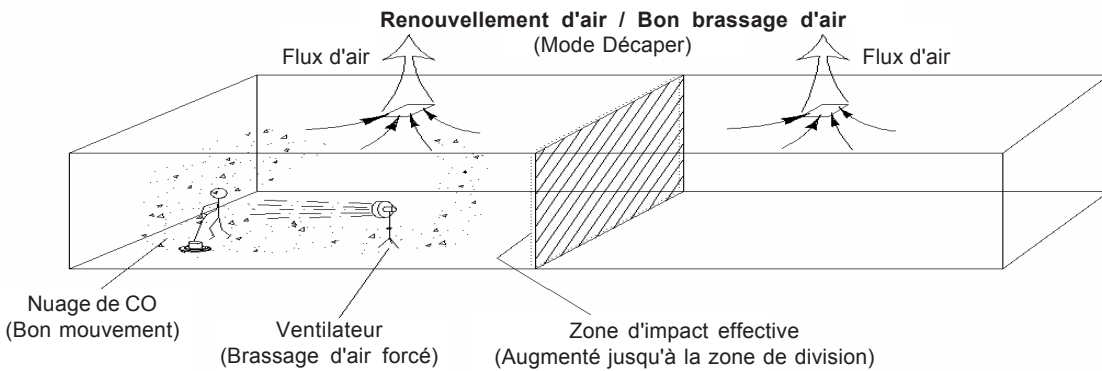


## MODÈLE 2



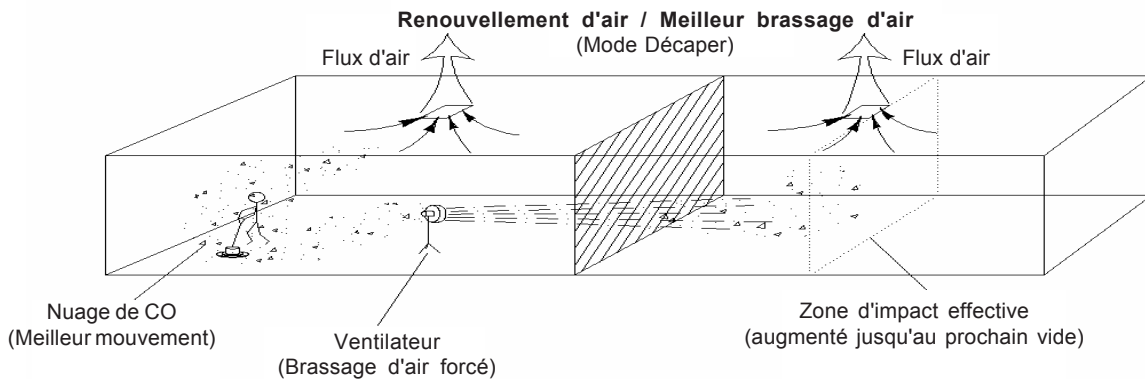
Veillez observer la concentration en CO et la zone d'impact effective avec le renouvellement d'air. Le nuage de CO est encore concentré en une zone réduite. Veuillez noter la "zone de division" présentées ci-dessus, il s'agit de la ligne au niveau de laquelle le flux d'air change de direction. Dans le modèle 2, les changements d'air sont divisés en deux puisque peu ou pas de CO ne traverse la zone de division pour être déchargé.

## MODÈLE 3



Veillez noter la concentration en CO et la zone d'impact effective (étendue jusqu'à la zone de division) avec le renouvellement d'air et le brassage d'air forcé. Le nuage de CO est toujours concentré d'un côté de la zone de division. Veuillez noter la "zone de division" présentées ci-dessus, il s'agit de la ligne au niveau de laquelle le flux d'air change de direction. Dans le modèle 3, les changements d'air sont divisés en deux puisque peu ou pas de CO ne traverse la zone de division pour être déchargé.

## MODÈLE 4



Veillez noter la concentration en CO et la zone d'impact effective (étendue au-delà de la zone de division vers le second échappement) avec le renouvellement d'air et le brassage d'air forcé au-delà de la zone de division. Le nuage de CO est dilué avec l'air disponible dans le bâtiment. Veuillez noter la "zone de division" présentées ci-dessus, il s'agit de la ligne au niveau de laquelle le flux d'air change de direction. Dans le modèle quatre, les changements d'air sont complets alors que le brassage d'air forcé a déplacé et brassé le CO entre toutes les zones d'air.

**TAUX DE VENTILATION PAR DILUTION MINIMUMS RECOMMANDÉS POUR LE CONTRÔLE DE L'EXPOSITION  
AU MONOXYDE DE CARBONE  
BRUNISSEUSE AU PROPANE SÉRIE PBU DE NILFISK-ADVANCE, INC.**

Machine et environnement Voir note 7	Consommation de propane (livres/heure)	Taux de production de CO calculé (CFM)	Facteur du mélange de l'air K (voir Notes 3 et 4)	Exigence de ventilation par dilution, CFM (voir Note 5)				Commentaires
				OSHA PEL fédéral (50 ppm CO)	NIOSH REL (35 ppm CO)	OSHA PEL Minnesota (35 ppm CO)	ACGIH TLV (25 ppm CO)	
Machines sans pot catalytique, mélange d'air modéré	3,65	0,304	1,5	326	465	465	651	Voir Notes 4 et 5
Machines avec pot catalytique, mélange d'air modéré	3,65	0,216	1,5	232	331	331	463	Voir Notes 4 et 5
Machines sans pot catalytique, mélange d'air faible	3,65	0,304	3,0	651	930	930	1302	Voir Notes 4 et 5
Machines avec pot catalytique, mélange d'air faible	3,65	0,216	3,0	463	662	662	926	Voir Notes 4 et 5

**Notes :**

- 1 Abréviations :  
 « CO » signifie monoxyde de carbone  
 « CO<sub>2</sub> » signifie dioxyde de carbone  
 « CFM » signifie pieds cubes par minute  
 « PEL » signifie limite d'exposition autorisée. (La limite d'exposition totale que vous pouvez respirer sur une période de huit heures.) Les PEL et les TLV indiquées sont des concentrations moyennes pondérées dans le temps.  
 « NIOSH REL » signifie la limite d'exposition recommandée par le *National Institute for Occupation Safety and Health* (institut national de la santé et la sécurité du travail).  
 « ACGIH TLV » signifie la valeur limite d'exposition de *American Conference of Governmental Industrial Hygienists* (Conférence américaine des hygiénistes industriels du gouvernement). Veuillez noter que certains pays et provinces, comme le Ministère du Travail de l'Ontario, utilisent la valeur limite d'exposition de l'ACGIH comme limite d'exposition professionnelle.
- 2 Ces taux calculés reposent sur les émissions du tuyau d'échappement arrière (voir texte). Le taux a été multiplié par 3 pour prendre en compte les trois carbones dans chaque molécule de propane.
- 3 Le facteur de mélange de l'air K varie de 1 à 3 en fonction de l'efficacité du mélange d'air.
- 4 Il est prudent de fixer le facteur K à 3 pour les salles dont le mélange d'air est faible ou quand l'équipement est utilisé dans une zone plus longtemps que la normale, comme pendant les opérations d'expédition.
- 5 Les recommandations relatives à l'air de dilution sont des directives minimales en milieu extérieur. La surveillance de l'exposition du personnel en temps réel doit être réalisée à l'aide de capteurs de CO à action directe équipés d'alarmes afin de s'assurer que la brunisseuse est correctement réglée et qu'une ventilation par dilution suffisante est prévue dans toutes les zones où la brunisseuse sera utilisée. Pour les cas particuliers, il est conseillé de consulter un professionnel expérimenté de la sécurité et la santé du travail, comme un hygiéniste industriel.

L'équation pour la ventilation par dilution est :

$$Q_{OA} = \frac{q \times K_{eff} \times 10^6}{OEL}$$

Où :

$Q_{OA}$  = le débit volumétrique pour l'air extérieur de dilution, en CFM

$q$  = le taux de production du contaminant (CO) en CFM

OEL = la limite d'exposition professionnelle (voir tableau pour PEL, TLV, etc.)

$K_{eff}$  = un facteur de mélange pour prendre en compte un niveau d'air de dilution faible ou incomplet (OA) pour les occupants. Par exemple, une valeur  $K_{eff}$  de 3,0 est cohérente avec une source ponctuelle de contaminants utilisée dans des espaces bondés comprenant des cloisons, des murs ou des barrières étanches et un mauvais emplacement de l'alimentation en air et de l'air de retour. Un  $K_{eff}$  de 1,0 indique une efficacité parfaite de la ventilation.

Références

AIHA (2003) « General Methods for the Control of Airborne Hazards », dans *The Occupational Environment – Its Evaluation and Control*, deuxième édition, American Industrial Hygiene Association, Fairfax, VA, pp. 829-846.

- 6 Dans certains cas, il peut être nécessaire de mesurer les concentrations de dioxyde de carbone (CO<sub>2</sub>), en particulier s'il est prévu que la concentration de CO<sub>2</sub> de fond déjà présente dans la salle, avant l'utilisation de la brunisseuse, sera élevée.

- 7 Consultez le tableau ci-dessous pour identifier les modèles avec et sans pot catalytique :

Modèle	21KBCATCLDC	27KBCATCLDC
Référence	56381408	56381409
Pot catalytique	Oui	Oui

## ENTRETIEN DE L'ÉQUIPEMENT

### **ADVERTISSEMENT!**

Un entretien adéquat de l'équipement est vital pour un fonctionnement sûr. Les moteurs GPL dépendent du réglage moteur et du remplacement du filtre à air. La concentration (production) de CO monte en flèche lorsque le rapport air/carburant devient plus riche en carburant. Veuillez suivre le programme d'entretien conseillé pour le moteur se trouvant dans le Manuel du propriétaire/utilisateur du moteur ainsi que dans le Programme de réglage et d'entretien se trouvant dans le Manuel de l'opérateur des équipements pour sol au propane fourni avec l'équipement.

### ÉQUIPEMENT DE SÉCURITÉ DE CO OFFERT PAR LE FABRICANT

- La surveillance d'émissions automatisée par Carb Guard coupera le moteur lorsque des émissions élevées sont détectées.
- Convertisseur catalytique trifonctionnel pour épurer le CO, les hydrocarbures et les oxydes d'azote (NOx) de l'échappement du moteur fournissant les plus basses émissions possibles.
- **REMARQUE : détecteur de CO « Dead Stop » fourni dans la pochette de brochures. Numéro de la pièce de rechange 98758A.**

### ÉQUIPEMENT DE SÉCURITÉ DE CO OFFERT SUR LE MARCHÉ

- Ventilateur à fort débit de ventilation de pression positive ou négative capable d'échanger le volume de l'air complet d'une pièce afin de maintenir des niveaux de CO sous les limites d'exposition de l'OSHA.
- Analyseurs de combustion numériques pour la surveillance d'émissions des tuyaux d'échappement arrière.
- Moniteur de CO approuvé par l'OSHA.

### SPÉCIFICATIONS DE LA MACHINE:

Modèle	21KBCATCLDC	27KBCATCLDC
Référence	56381408	56381409
Taille du disque	21" (53 CM)	27" ( CM)
Moteur	603CC KAWASAKI	603CC KAWASAKI
Pot catalytique	Oui	Oui
Carb Gard	Oui	Oui
Embrayage	Centrifuge	Centrifuge
Vitesse du disque	1750 RPM	1250 RPM
Réservoir de propane	20 lb. (9.1 kg) Capacity, 80% Safety fill	20 lb. (9.1 kg) Capacity, 80% Safety fill
Arrêt auto carburant	Oui	Oui
Arrêt niveau huile faible	Oui	Oui
Compteur horaire	Oui	Oui
Niveau de pression sonore (ISO 11201)	87 dB LpA, 3dB KpA	87 dB LpA, 3dB KpA
Taux de productivité	25,000 pieds <sup>2</sup> /h (2,322 m <sup>2</sup> /h)	33,000 pieds <sup>2</sup> /h (3,066 m <sup>2</sup> /h)
Approbations	EPA et composants approuvés par UL pour le propane	EPA et composants approuvés par UL pour le propane
CARB Certifié (California Air Resource Board)	Oui	Oui
Poids	292 lbs / 132.4 kg	302 lbs / 137 kg
Longueur	66" (167.4 cm)	69" (175.3 cm)
Largeur	23.3" (59 cm)	29.5" (74.9 cm)
Hauteur	43" (109.2 cm)	43" (109.2 cm)
Garantie	2 ans pièces et main d'oeuvre	2 ans pièces et main d'oeuvre

## CONSIGNES DE SÉCURITÉ POUR L'UTILISATEUR

### DANGER!

Vous pouvez être gravement blessés ou risquer la mort, vous ou d'autres personnes, si l'avis de **DANGER** se trouvant sur cette machine ou dans le manuel de l'utilisateur est ignoré ou n'est pas respecté. Veuillez lire et tenir compte de tous les avertissements concernant les **DANGERS** dans le Manuel du propriétaire et sur votre machine.

### ADVERTISSEMENT!

Vous pouvez être blessé, vous ou d'autres personnes, si l'avis de **ADVERTISSEMENT** se trouvant sur cette machine ou dans le manuel de l'utilisateur est ignoré ou n'est pas respecté. Veuillez lire et tenir compte de tous les avertissements concernant les **ADVERTISSEMENTS** dans le Manuel du propriétaire et sur votre machine.

### ATTENTION!

La machine ou d'autres instruments peuvent être endommagés si l'avis d'**ATTENTION** se trouvant sur cette machine ou dans le manuel de l'utilisateur est ignoré ou n'est pas respecté. Veuillez lire et tenir compte de tous les avertissements concernant les avis d'**ATTENTION** dans le Manuel du propriétaire et sur votre machine.

### DANGER!

- Si vous ne comprenez pas tout ou partie des avertissements ou des directives visant à déterminer si votre ventilation est « adéquate », vous **DEVEZ** contacter un hygiéniste industriel, un expert de la sécurité du travail ou tout autre professionnel de la sécurité pour déterminer les recommandations et normes appropriées à l'environnement dans lequel ce produit sera utilisé.
- Utilisez cette machine uniquement dans une pièce bien aérée, quand un détecteur individuel de monoxyde de carbone (CO) est utilisé et lorsqu'une deuxième personne a été désignée pour veiller sur vous.
- Assurez-vous que la zone dans laquelle l'équipement est utilisé est correctement aérée. Consultez les taux de ventilation par dilution minimums recommandés à la page 7, qui sont déterminés par les réglementations fédérales et nationales, ainsi que les directives acceptées au sein de l'industrie.
- Avant d'utiliser cette machine, vérifiez que le système de ventilation du bâtiment est activé et fonctionne correctement.
- Ne pas lire le manuel de l'utilisateur avant d'utiliser ou de mener toute opération de réparation ou de maintenance sur votre American Sanders peut entraîner des blessures à vous ou à toute autre personne ; il se peut aussi que la machine ou d'autres matériels soient endommagés. Vous devez avoir été formé à l'utilisation d'une telle machine avant de l'utiliser. **Si ce manuel ne peut être lu par vos(votre) opérateur(s), expliquez-le entièrement avant de commencer toute utilisation de cette machine.**
- Les pièces mobiles de cette machine peuvent entraîner des blessures graves et/ou dommages. Évitez tout contact des vêtements, cheveux, mains, pieds ou autres parties du corps avec le plateau tournant. Attention à écarter toute personne de la machine lors de son fonctionnement.
- Changer le tampon de lustrage ou procéder à des réglages lorsque la machine est sous tension peut entraîner des blessures de l'utilisateur ou de personnes à proximité. N'essayez jamais de changer le tampon lustrateur ou de procéder à des réglages lorsque le moteur fonctionne.
- Les briquets, les lampes témoins et toute autre source inflammable peuvent provoquer une explosion dans le cas d'un contact avec le propane. Le propane est un gaz hautement inflammable. Toute source inflammable doit si possible être éteinte ou retirée entièrement de la zone de travail. **NE FUMEZ PAS** à proximité d'un équipement d'entretien de sol au propane.
- Cette machine émet du monoxyde de carbone. Un empoisonnement au monoxyde de carbone peut survenir si l'unité est utilisée dans une zone dont la ventilation est mauvaise ou inappropriée. Utilisez cette machine uniquement dans une zone bien aérée. En cas de maux de tête, arrêtez la machine. Faites vérifier ses émissions de monoxyde de carbone par un centre compétent avant de réutiliser cette machine. De plus, assurez-vous que le système de ventilation du bâtiment est activé et fonctionne correctement.
- les émissions de monoxyde de carbone dangereuses provenant de cette machine sont augmentées de manière importante par un filtre à air de combustion sale. Veuillez suivre les instructions d'entretien du filtre à air du fabricant du moteur.
- le propane est hautement inflammable. Si vous sentez une odeur de gaz propane, veuillez éteindre la machine et la déplacer à l'extérieur. Déterminez la source de la fuite puis réparez-la avant de redémarrer. **NE JAMAIS** dégazer de propane à l'intérieur d'un bâtiment. Débranchez l'alimentation en carburant du réservoir, enlevez le réservoir de la machine puis stockez le réservoir de propane dans une armoire de stockage sécurisée à l'extérieur du bâtiment. Il est **ILLEGAL** de stocker une bouteille de propane à l'intérieur d'un bâtiment.

### ADVERTISSEMENT!

- Une exposition longue ou continue à des niveaux sonores élevés peut entraîner des pertes d'audition permanentes. Portez toujours des protections auditives lorsque vous utilisez cette machine.
- ne pas porter les vêtements et/ou l'équipement de protection en utilisant cette machine peut causer des blessures aux yeux et/ou à la personne. Portez toujours des lunettes de sécurité et des vêtements de sécurité lors de l'utilisation de cette machine.
- Toucher le silencieux ou le pot d'échappement chaud peut entraîner une blessure ou une brûlure grave. Ne touchez pas le silencieux ou le pot d'échappement.
- Toute altération ou modification de cette machine peut entraîner des dommages de la machine ou la blessure de son utilisateur ou de personnes à proximité. Les modifications ou les altérations non-autorisées par le fabricant annulent toutes les responsabilités et garanties.
- pour éviter toute blessure ou dommage de la propriété, ne laissez pas la machine là où elle peut être démarrée ou altérée par des personnes non-formées à son utilisation. Vous devez avoir été formé à l'utilisation d'une telle machine avant de l'utiliser. **NE LAISSEZ PAS** la machine fonctionner sans surveillance.
- L'utilisation de la machine avec un patin décentré, endommagé ou manquant peut entraîner des dommages substantiels du sol, de la machine ou de la personne. N'utilisez pas la machine si le patin est décentré, endommagé ou manquant.
- l'utilisation d'une machine ayant des pièces lâches peut causer des blessures ou l'endommagement de l'appareil. N'utilisez pas cette machine si certaines pièces sont lâches. Vérifiez fréquemment les pièces lâches de la machine. Ceci favorisera le fonctionnement en toute sécurité et la durabilité de la machine.
- les vibrations de la machine peuvent causer des engourdissements ou des fourmis dans les doigts chez certaines personnes. Le tabagisme, l'humidité, le régime et l'hérédité peuvent contribuer à ces symptômes. Le port de vêtements chauds, de gants, l'exercice et l'arrêt du tabac peuvent réduire les effets des vibrations. Si les symptômes persistent, arrêtez l'utilisation de la machine.

## INTRODUCTION

L'équipement d'entretien des sols au propane est fabriqué suivant deux concepts fondamentaux : la polisseuse/brunisseuse et la décapeuse de plancher. Ces deux produits sont des équipements entièrement PORTATIFS. Les brunisseuses au propane sont des brunisseuses à haute vitesse ayant une puissance constante pour produire des surfaces de sol d'une brillance de qualité supérieure. Au contact du sol, la brunisseuse doit toujours être en mouvement. La vitesse à laquelle vous marcherez déterminera les résultats que vous obtiendrez. Une vitesse lente crée plus de chaleur et donc plus de brillance. Une vitesse modérée est recommandée pour un résultat optimal et une utilisation sécurisée. **NE COURREZ PAS AVEC LA brunisseuse !!** Bien qu'il est possible que la brillance soit toujours obtenue, le danger de devoir essayer d'arrêter la machine en cas d'urgence est inacceptable. Lors du polissage, éviter les carreaux lâches, les prises électriques, les paliers de portes et tout autre objet autre que le sol pouvant entrer en contact avec le patin. **SOUVENEZ-VOUS**, le patin tourne très rapidement.

Un entretien et une attention adéquate protégera votre investissement et maintiendra votre machine en service pour de nombreuses années. Il est essentiel que ces problèmes soient traités avec attention :

## **ATTENTION!**

**Un trop-plein du réservoir de propane est la première cause de problèmes avec une machine à propane. Ceci peut entraîner un dysfonctionnement du moteur ou une panne.**

**De plus, un trop-plein provoque la dispersion du liquide propane dans le système de contrôle de carburant, ce qui peut gravement endommager le montage du verrouillage/régulateur. Ceci rend la garantie caduque pour les pièces de la machine affectées. Pour éviter ces problèmes, veuillez lire et comprendre la section "Remplir et stocker les réservoirs de propane".**

**LA SURCHAUFFE** est une cause majeure de panne de moteur. Gardez le capot de filtre à air de refroidissement propre. Protégez votre machine ; ne laissez pas la poussière de cire/peluche s'accumuler sur les ailettes de refroidissement du(des) cylindre(s) moteur. Un lavage avec un jet haute pression directement sur les ailettes lorsque le moteur est froid préviendra cette accumulation.

**UN NIVEAU D'HUILE BAS OU UNE HUILE SALE** est la cause de pratiquement toutes les autres pannes. conseille de changer l'huile de manière régulière, et peut-être plus souvent qu'indiqué dans le manuel du fabricant du moteur. Une vérification quotidienne de l'huile avant de démarrer la machine est une bonne habitude et peut vous préserver de temps d'arrêt et de dépenses de remplacement du moteur suite à un manque d'huile. **APRES UNE VIDANGE, ASSUREZ-VOUS QUE VOUS AVEZ REMPLACÉ L'ALIMENTATION EN HUILE AVANT DE REDEMARRER LE MOTEUR.**

## INFORMATION DE SÉCURITÉ SUR LE PROPANE

### Faits concernant le GPL - propane

En tant que carburant, le propane est inégalé à la fois pour la sécurité de fonctionnement et la sécurité en tant que tel. Il est utilisé en tant que carburant domestique depuis plus d'un demi-siècle et en tant que carburant pour moteurs à combustion interne depuis plus de 30 ans. Le propane est un carburant hautement inflammable qui est stocké sous pression sous la forme liquide. Le gaz vaporisé a une force explosive similaire à l'essence et un mélange aussi faible que 2 % de GPL à l'air peut-être inflammable dans un environnement fermé. Il est important de faire particulièrement attention à ne pas laisser s'échapper la vapeur car elle peut geler la peau et causer des gelures. Le carburant vaporisé est plus lourd que l'air et s'accumulera dans l'espace confiné le plus bas possible.

### Faits sur les réservoirs propane

Les réservoirs propane sont conçus selon les codes de sécurité sur la pression fédéraux DOT #4ET20 ou ASME. Y compris pour le réservoir, toutes les valves et équipements sont homologués UL. Le propane n'est pas corrosif et ne rouillera pas l'intérieur du réservoir. Dans le cas où l'extérieur du réservoir est endommagé ou rouillé, arrêtez l'utilisation. **NE MODIFIEZ PAS** les jauges de réservoir ou les détendeurs de pression de sécurité. **NE JAMAIS** utiliser un réservoir n'étant pas destiné à l'utilisation d'une brunisseuse à propane. **NE PAS** échanger de réservoir avec ceux utilisés avec un barbecue, etc. conseille de tester les réservoirs à propane une fois par an auprès d'un revendeur de propane agréé par l'association nationale de GPL.

Le réservoir de carburant est directement fourni par le fabricant et ne contient pas de carburant. Ce réservoir doit être purgé au moment du premier remplissage. Les revendeurs de carburants locaux doivent être familiers avec cette opération et vous offrirons ce service.

### Procédures de purge conseillées

Comment purger de nouveaux cylindres de brunisseuse GPL équipés d'un dispositif de sécurité de trop-plein :

Les nouveaux containers peuvent contenir de la vapeur, de l'air ou tout autre contaminant. Il est essentiel que ces derniers soient enlevés avant de remplir le container et de le mettre en service. De l'air dans le container causera une pression anormalement élevée, ce qui peut provoquer l'ouverture du détendeur de pression de sécurité. De l'air dans le système peut aussi provoquer un mélange pauvre, rendant la combustion difficile. Si vous pensez qu'un cylindre est dépressurisé ou a été ouvert à l'air libre pendant un certain temps, il doit être repurgé comme dans le cas d'un nouveau container.

### **Pour purger un container, il est nécessaire de suivre les étapes suivantes.**

La purge de containers doit être effectuée dans une zone approuvée (voir NFPA #5 8) suivant la procédure NPGA #13 3.89(a).

1. Déterminez si la pression du container est à zéro. Si le cylindre contient uniquement de l'air pressurisé, l'air doit être dégagé directement dans l'atmosphère grâce au robinet de service en utilisant un adaptateur et à la valve de sortie.
2. Pressurisez le container à approximativement 15 psig avec de la vapeur GPL. **Ne jamais purger avec du GPL liquide!** Ceci entraînerait le refroidissement de la vapeur humide et son maintien dans le cylindre. Le GPL liquide se dilate aussi à 270 fois en vapeur, rendant le processus de purge inefficace. **N'utilisez que de la vapeur GPL !**
3. Faites la connexion au raccord rapide (un système de serpentins de purge est plus efficace). Ouvrez entièrement le robinet de service du cylindre ainsi que le limiteur de remplissage. Ventilez vers une atmosphère sûre. Une colonne d'évent est conseillée.
4. Sur les cylindres à dispositif de sécurité de trop-plein, le temps de purge augmente du à la conception de la nouvelle valve. L'ouverture du limiteur de remplissage aidera à améliorer la vitesse de purge.
5. Répétez les actions #3 et #4 pour un total de **CINQ** purges.
6. Repressurisez le container à 15 psig avec de la vapeur GPL odorante.
7. Le container est à présent prêt à être rempli de gaz GPL.
8. Une fois remplie, vérifiez qu'il n'y a pas de fuite au niveau des fixations et des ouvertures de réservoir en utilisant une solution de détection de fuite agréée.
9. Le container est à présent prêt à être mis en service. Ajoutez les étiquettes DOT et OSHA.

### **Signes d'un cylindre non purgé :**

- **Le détendeur de pression s'ouvre dû à un cylindre surpressurisé créant une situation dangereuse.**
- **De l'humidité dans le cylindre.**
- **La brunisseuse fonctionne dans un premier temps mais s'éteint lorsque le mélange de carburant devient trop pauvre.**

### Remplissage et stockage des réservoirs propane

Le comité technique NFPA interdit le stockage de ces containers au sein de bâtiments. Il y a quelques exceptions à cette règle. En d'autres termes, les réservoirs de propane NE DOIVENT PAS être stockés dans des bâtiments fréquentés par le public ou tout autre personne étrangère ou travaillant dans le bâtiment. Qu'ils soient pleins ou vides, ne laissez jamais de réservoirs dans des endroits confinés. Le réservoir doit être stocké dans un endroit sécurisé, inviolable et sûr face aux accidents et au vandalisme. **LES RESERVOIRS DE PROPANE DOIVENT TOUJOURS ÊTRE TRANSPORTÉS, INSTALLÉS ET UTILISÉS EN POSITION VERTICALE.**

### **LE TROP-PLEIN DE RESERVOIRS PROPANE EST DANGEREUX.**

Le réservoir ne doit JAMAIS être entièrement rempli de propane liquide. 80% du volume total du réservoir doit être considéré comme rempli à TOUS moments.

**LA DILATATION DOIT ÊTRE POSSIBLE.** Les réservoirs de brunisseuse propane sont équipés d'une jauge de niveau de liquide fixe qui entre en contact avec le niveau de liquide à 80% de la capacité du container, permettant une dilatation de 20%. La partie supérieure de ce dispositif doit être dévissée dans le sens inverse des aiguilles d'une montre afin que la vapeur s'échappe au travers du petit trou à l'intérieur, lorsque le réservoir est rempli. Lorsque la vapeur s'échappant laisse la place au liquide, le dispositif doit être rapidement fermé et le bec à propane éteint.

**\*\*IMPORTANT\*\* Le moteur et le système de carburant sur votre machine d'entretien des sols sont conçus pour fonctionner à la vapeur de carburant et non avec du carburant liquide. Le trop-plein du réservoir propane endommagera le régulateur et/ou le verrouillage. Ceci ANNULERA la GARANTIE sur ces composants.**

## COMMENT UTILISER LA MACHINE

### Préparer l'utilisation de la machine

AVANT d'utiliser tout type d'équipement actif, la sécurité veut que vous l'inspectiez visuellement.

- Réglage de la poignée -**
  - Réglez la poignée à une hauteur confortable en tirant vers l'extérieur les deux ergots sur ressort de chaque côté de la poignée.
  - En maintenant les ergots sortis, réglez la poignée à la hauteur désirée.
  - Relâchez les ergots de manière à ce qu'ils s'insèrent eux-mêmes en position verrouillée. REMARQUE : Il se peut que ce soit plus facile de se tenir d'un côté de la poignée et d'atteindre l'autre côté pour procéder au réglage.
- Filtre de capot-** assurez-vous que le filtre à air du capot au-dessus du moteur est propre. Il doit être changé toutes les heures et nettoyé en profondeur avant une réutilisation.
- Niveau d'huile -**
  - Vérifiez le NIVEAU D'HUILE du moteur.
  - Avec la brunisseuse en position nivelée, dévissez le capuchon jaune du réservoir d'huile, tirez puis essayez l'indicateur de niveau avec un linge propre.
  - Insérez l'indicateur de niveau dans le tube, mais NE LE REVISSEZ PAS.
  - Retirez l'indicateur de niveau et vérifiez le niveau d'huile en vous assurant que le niveau d'huile atteint le niveau de fonctionnement (zone de grille) indiqué sur l'indicateur. Si le niveau d'huile est dans la section "ADD", ajoutez assez d'huile moteur pour atteindre le niveau d'huile de fonctionnement. REMARQUE : NE JAMAIS trop remplir l'huile de moteur car cela peut entraîner des dommages irréparables du moteur.
- Remplir le réservoir -** Remplissez le réservoir en suivant les instructions indiquées précédemment : "Remplissage et stockage des réservoirs propane" De plus, si votre brunisseuse est livrée avec une "Sécurité de trop-plein de 80% du réservoir", elle ne doit être remplie QUE par la soupape filetée ayant le diamètre ne plus important recouverte d'une capsule jaune pour s'assurer que le niveau "plein" est sûr.
- Patin et porte-patin -**

Inspectez l'état du patin et du porte-patin.

  - Réglez la poignée sur sa position verticale la plus élevée. (REMARQUE : les ergots doivent être dans les trous indiquant "TILTBACK").
  - En tenant la poignée avec vos deux mains, placez votre pied sur le pont arrière de la brunisseuse pour la caler, puis tirer sur la poignée et basculez la machine en arrière.
  - Laissez la poignée reposer par terre pour tenir la machine en position verticale.
  - Dirigez-vous vers le côté du patin de la machine pour l'inspecter et/ou le remplacer. Y a-t-il un patin ? Est-il correctement attaché ? Dans quel état est-il ? Assurez-vous que le patin est propre et que son épaisseur est d'au moins 1/3" (0,84 cm). Eteignez toujours le moteur avant de vérifier le patin.
- Conduits de carburant et réservoir -** Le réservoir a déjà été traité mais les conduits de carburant montrent-ils des signes d'usure, de rupture, tels que des craquements ou toute autre corrosion ? Vissez le raccord en laiton du conduit de carburant sur le robinet de service du réservoir, et serrez-le à la main. Ce raccord DOIT être sécurisé car le robinet de service comporte une soupape de sécurité à l'intérieur qui ne s'ouvre uniquement que si le raccord de conduit de carburant est COMPLETEMENT fixé au robinet de service.
- Zone de confinement de la poussière -**

Vérifiez la zone de confinement de la poussière et assurez-vous qu'elle est propre. Il s'agit de la zone en dessous du réservoir de propane.

  - Enlevez le réservoir de propane puis soulevez le capuchon noir et localisez le filtre de type automobile.
  - Inspectez le filtre. Est-il sale ? Doit-il être nettoyé ou remplacé ? Assurez-vous que le goulot - qui est à l'extérieur et en dessous du niveau du filtre - est propre.
- Bords poussiéreux -** Vérifiez l'état du bord qui entoure le pont. Est-il en bon état ? Dans quel état est l'enveloppe de caoutchouc qui raccorde le rebord à la partie arrière du pont ? Remplacez l'enveloppe si elle est déchirée ou arrachée.

### Démarrer le moteur

- Ouvrez le robinet de service sur le réservoir de propane en tournant dans le sens inverse des aiguilles d'une montre, à peu près un tour et demi.
- Assurez-vous que la brunisseuse est renversée en arrière afin que le patin ne touche pas le sol sur toutes les machines sans vitesse.
- Le moteur est conçu pour être démarré avec le papillon des gaz en position de ralenti. Ceci crée une aspiration nécessaire pour ouvrir la valve de verrouillage à l'intérieur du régulateur. L'actionnement du levier de ralenti gardera la valve de verrouillage fermée et empêchera le moteur de s'alimenter en carburant et de démarrer. Un entretien adéquat assurera un démarrage facile.
- Actionnez le starter pendant 5 à 6 secondes MAXIMUM ou jusqu'à ce que le moteur soit lancé. Excéder ce temps peut entraîner de sérieux dommages du starter et la garantie ne s'applique pas.
- Faites fonctionner le moteur à mi-gaz pendant approximativement deux minutes pour un préchauffage approprié. Puis avancez à plein gaz pour de meilleurs résultats.  
REMARQUE : Si le moteur ne démarre pas, référez-vous au Guide de dépannage.

### Arrêter le moteur

- Fermez le robinet de service sur le réservoir de propane en tournant dans le sens des aiguilles d'une montre. Ceci permet de consommer tout le propane restant dans le système de carburant.
- Laissez TOUJOURS le moteur de fonctionner jusqu'à épuisement du carburant. Puis, arrêtez le moteur à l'aide de l'interrupteur à clé/ \*\* Le disjoncteur de la brunisseuse ne doit être utilisé QU'EN CAS D'URGENCE.
- Déconnectez le conduit de carburant du réservoir.
- SOUVENEZ-VOUS, lorsque vous avez terminé d'utiliser la machine, stockez le réservoir de propane à l'extérieur du bâtiment, dans un endroit sûr à l'abri de la chaleur ou de la lumière.



## ENTRETIEN ET RÉGLAGES

### Contrôle des émissions

Afin de préserver l'environnement dans lequel nous vivons, le fabricant a intégré des systèmes de contrôle d'émissions de gaz de carter (1) et de gaz d'échappement (2) (EM) conformément aux réglementations applicables de l'Agence pour la protection de l'environnement des États-Unis et le Bureau des ressources en air de Californie.

1. **Système de contrôle des émissions de gaz de carter** - un système de contrôle des émissions des gaz de carter scellé est utilisé pour éliminer les fuites de gaz. Les fuites de gaz sont redirigées vers la chambre de l'aérateur via le carter. Elles sont ensuite dirigées vers le purificateur d'air. L'huile est séparée des gaz lorsqu'elle passe à l'intérieur de la chambre d'aérateur en provenant du carter puis retourne à la base du carter.
2. **Système de contrôle des émissions d'échappement** - Le système de contrôle des émissions d'échappement s'appliquant à ce moteur consiste en un carburateur et un système de combustion ayant des caractéristiques de temps de combustion optimum. Le carburateur a été calibré pour fournir des caractéristiques de mélange air/carburant pauvre et une économie de carburant optimum avec un purificateur d'air et un système d'échappement adéquates.

### Modification interdite du système de contrôle des émissions

La loi fédérale et la loi de l'État de Californie interdisent l'exécution ou la participation aux actes suivants : (1) l'enlèvement ou le fait de rendre inutilisable par toute personne autrement qu'à des fins d'entretien, de réparation ou de remplacement, de tout dispositif ou élément intégré dans tout nouveau moteur à des fins de contrôle des émissions avant sa vente ou sa livraison à l'acheteur final ou pendant son usage, ou (2) l'utilisation du moteur après qu'un tel dispositif ou élément ait été enlevé ou rendu inutilisable par toute personne.

Parmi les actes supposés constituer une modification, veuillez trouver les actes listés ci-dessous :

Ne modifiez pas la pièce d'origine relative à l'émission.

>Carburateur et pièces internes

>Bougies d'allumage (seules les bougies d'allumage et numéro de la pièce de qualité OEM peuvent être utilisés pour remplacer la bougie d'allumage OEM avec laquelle la machine a été équipée à partir de l'usine)

>Système d'allumage électronique ou magnétique

>Éléments de purificateur d'air (seuls les purificateurs d'air et numéro de la pièce de qualité OEM peuvent être utilisés pour remplacer le purificateur d'air OEM avec lequel la machine a été équipée à partir de l'usine)

>Carter

>Culasses

>Chambre d'aérateur et pièces internes

>Pipe d'admission et conduit

### Entretien et réglages généraux

1. **Système de contrôle du carburant** - Pour assurer la sécurité personnelle, les réglages doivent UNIQUEMENT être effectués par un technicien de système GPL qualifié ou un centre de services agréé, utilisant un analyseur de gaz d'échappement. Ne faites pas fonctionner la machine si les niveaux de monoxyde de carbone excèdent les standards de la loi sur la santé et la sécurité au travail (OSHA).
2. **Remplacement du patin** -
  - (a) Réglez la poignée en position verticale la plus haute (Remarque : les ergots doivent être dans les trous indiquant "TILTBACK").
  - (b) En tenant la poignée avec vos deux mains, placez votre pied sur le pont arrière de la brunisseuse pour la caler, puis tirez sur la poignée et basculez la machine en arrière.
  - (c) Laissez la poignée reposer par terre pour tenir la machine en position verticale.
  - (d) Veuillez désormais vous déplacer du côté du patin de la machine.
  - (e) Attrapez la languette en métal située sur le système de verrouillage central blanc, entre le pouce et l'index et pressez-la. Ceci permet au support de patin de s'éjecter.
  - (f) Enlevez le patin usé.
  - (g) Installez le nouveau patin en faisant attention à le centrer contre la pince-crochet plastique en harpon.
  - (h) Remplacez le support de patin en le cliquant en place (remarque : L'anneau de verrouillage central doit "cliquer" deux fois) .
  - (i) Vérifiez la rotation du plateau de patin.

L'excentricité du patin ne doit pas excéder 1/4" (0,64cm).
3. **Remplacement de courroie** -
  - (a) Basculez la machine en arrière comme vous le feriez pour remplacer le patin.
  - (b) En utilisant une clé à fourche de 3/4" (1,91cm), fixez l'arbre du côté moteur du pont et tournez le plateau de patin pour l'enlever.
  - (c) Utilisez la même clé de 3/4" (1,91cm) pour libérer la tension sur la courroie en tournant le tendeur de Lovejoy vers la courroie.
  - (d) Libérez le tendeur de Lovejoy et enlevez avec précaution la courroie de l'embrayage et de la poulie d'entraînement.
  - (e) Installez maintenant la nouvelle courroie sur l'embrayage et la poulie et utilisez la clé pour relâcher à nouveau la tension sur le tendeur de Lovejoy jusqu'à ce que la courroie soit en position.
  - (f) Relâchez le tendeur de Lovejoy pour appliquer la tension à la courroie. (Remarque : la flèche sur le tendeur Lovejoy doit pointer à 30°. si elle ne le fait pas, réinitialisez le tendeur en libérant d'abord puis en resserrant le boulon qui maintient le tendeur au pont).
  - (g) Réinstallez le plateau de patin.
4. **Vidanger l'huile moteur** -



## AVERTISSEMENT!

Le changement de l'huile en une viscosité non approuvée par l'OEM peut changer la puissance d'émission du moteur!

- (a) Démarrez et chauffez le moteur afin que l'huile s'écoule facilement.
- (b) Coupez le moteur.
- (c) Placez la brunisseuse en position nivelée.
- (d) Retirez le tube en plastique clair de son support et tournez le tube de manière à ce qu'il se vidange dans un bac.
- (e) Attrapez le bouchon de vidange rapide et tournez d'1/4 de tour dans le sens inverse des aiguilles d'une montre. Ceci permettra à l'huile de se vidanger.
- (f) Une fois que la vidange est terminée, tournez le bouchon de vidange rapide d'un quart de tour dans le sens des aiguilles d'une montre pour le fermer et placez le tube en plastique clair en position verticale.

## ENTRETIEN ET RÉGLAGES

### 5. Changer le filtre à huile -

- (a) En utilisant une clé à sangle ou une clé à filtre à huile, dévissez le filtre à huile dans le sens inverse des aiguilles d'une montre. Remarque : Avant de dévisser le filtre à huile, veuillez placer un bac adéquat en dessous du plateau d'égouttage de l'huile pour récupérer l'huile provenant du filtre ou tout autre huile provenant du moteur.
- (b) Nettoyez la base du filtre à huile sur le moteur.
- (c) Appliquez une légère couche d'huile de moteur à la base du filtre à huile.
- (d) Installez le filtre en le tournant dans le sens des aiguilles d'une montre jusqu'à ce que le joint soit en contact avec la surface de montage du moteur.
- (e) Tournez ensuite le filtre sur plus de 3/4 de tour à la main.
- (f) Faites tourner le moteur au ralenti pendant 2 minutes puis vérifiez le filtre à huile et drainez les fuites.

### 6. Réglage de la pression de patin -

- (a) Basculez la machine en arrière comme vous le feriez pour changer le patin.
- (b) Pour augmenter la pression de patin, déplacez les roues vers l'arrière de la machine. Pour ce faire, enlevez l'épingle de l'axe de chape. Enlevez l'axe de chape et déplacez les roues vers le trou arrière de la chasse de roue. Réinsérez l'axe de chape et réinsérez l'épingle.
- (c) Pour diminuer la pression du patin, utilisez la même procédure et déplacez la roue vers l'avant de la machine.

### Articles d'entretien - 8 heures de rodage recommandées (50 heures par la suite)

- >Changer l'huile moteur.
- >Vérifier les pièces lâches au niveau du plateau d'entraînement.
- >Vérifier l'usure ou le glissement de la courroie.
- >Vérifier que les poulies moteur sont bien serrées.
- >Vérifier les boulons de roue.
- >Vérifier les boulons de support de moteur.
- >Vérifier les boulons de poignée.
- >Vérifier qu'il n'y a pas de fuite d'huile moteur au niveau des différents joints.

### Intervalles de changement d'huile recommandés

Ne dépassez pas l'intervalle de changement d'huile. Les changements d'huile plus fréquents que 50 heures donneront encore une plus longue vie au moteur. Dans tous les cas, utilisez toujours de l'huile à moteur 30HD ou 10W30 avec toutes les catégories API suivantes : SJ ou supérieures. Assurez-vous que le niveau d'huile est maintenu à « PLEIN ».

### Éléments qu'il est conseillé d'entretenir toutes les 100 heures -

Le filtre de contrôle des poussières doit être changé toutes les 100 heures.  
Changer le filtre à huile toutes les 100 heures de travail

### Éléments qu'il est conseillé d'entretenir toutes les 200 heures -

Retournez la machine dans un centre de services agréé pour une révision générale.  
Le filtre d'admission papier de la carburation doit être changé toutes les 200 heures.  
>Vérifiez l'ajustement de la valve du moteur

## FONCTIONNEMENT DU CARB GARD

Le Carb Gard est un dispositif d'alerte visant à avertir l'utilisateur que le moteur a besoin d'être entretenu.

1. Au démarrage du moteur, la DEL VERTE "Alert" commencera à clignoter. Elle continuera à clignoter pendant 3 minutes. Ceci laisse assez de temps au moteur et au capteur d'oxygène (fixé dans le manifold d'échappement) pour chauffer. Pendant ce temps, il est possible d'utiliser la brunisseuse.
2. Après 3 minutes, la DEL Alert s'arrête de clignoter.
  - (a) Si le moteur est au ralenti, alors la DEL "Idle" JAUNE commence à clignoter. Elle laisse le moteur au ralenti jusqu'à 2 minutes.
  - (b) Après 2 minutes, le moteur s'éteint et la DEL de ralenti reste allumée pour avertir l'utilisateur de la raison pour laquelle la machine s'est éteinte. (Remarque : Si cela se produit, tournez simplement le commutateur à clé sur OFF. Ceci réinitialisera le Carb Gard. redémarrez le moteur normalement pour continuer l'utilisation).
  - (c) Si à tout moment pendant les 2 minutes de compte à rebours, le moteur augmente jusqu'à être à plein régime, la DEL s'arrête de clignoter et le Carb Gard surveillera le capteur d'oxygène.
  - (d) Si l'on autorise le moteur à ralentir en position ralenti, la DEL Idle recommencera à clignoter pendant 2 minutes.  
REMARQUE : Chaque fois que le moteur augmente en régime puis ralenti, le compte à rebours de 2 minutes redémarre.
3. Une fois que le moteur a augmenté en régime, le Carb Gard commence à surveiller le capteur d'oxygène à la recherche de monoxyde de carbone (CO).
  - (a) Si à tout moment, pendant qu'il est à plein régime, le Carb Gard détecte un taux de sortie de CO plus élevé que la normale, il active la DEL "Service" ROUGE et elle commencera à clignoter.
  - (b) Si la DEL ROUGE Service clignote de manière continue pendant 1 minute, alors le moteur s'éteint et la DEL ROUGE de Service reste allumée pour signaler à l'utilisateur la raison de l'extinction du moteur.  
REMARQUE : Carb Gard surveille continuellement la sortie de CO. Si la sortie de CO diminue, la DEL Service s'arrête de clignoter. Si la sortie de CO augmente, elle recommence à clignoter. Ce n'est qu'après qu'elle ait clignoté continuellement pendant une minute que le moteur est éteint.

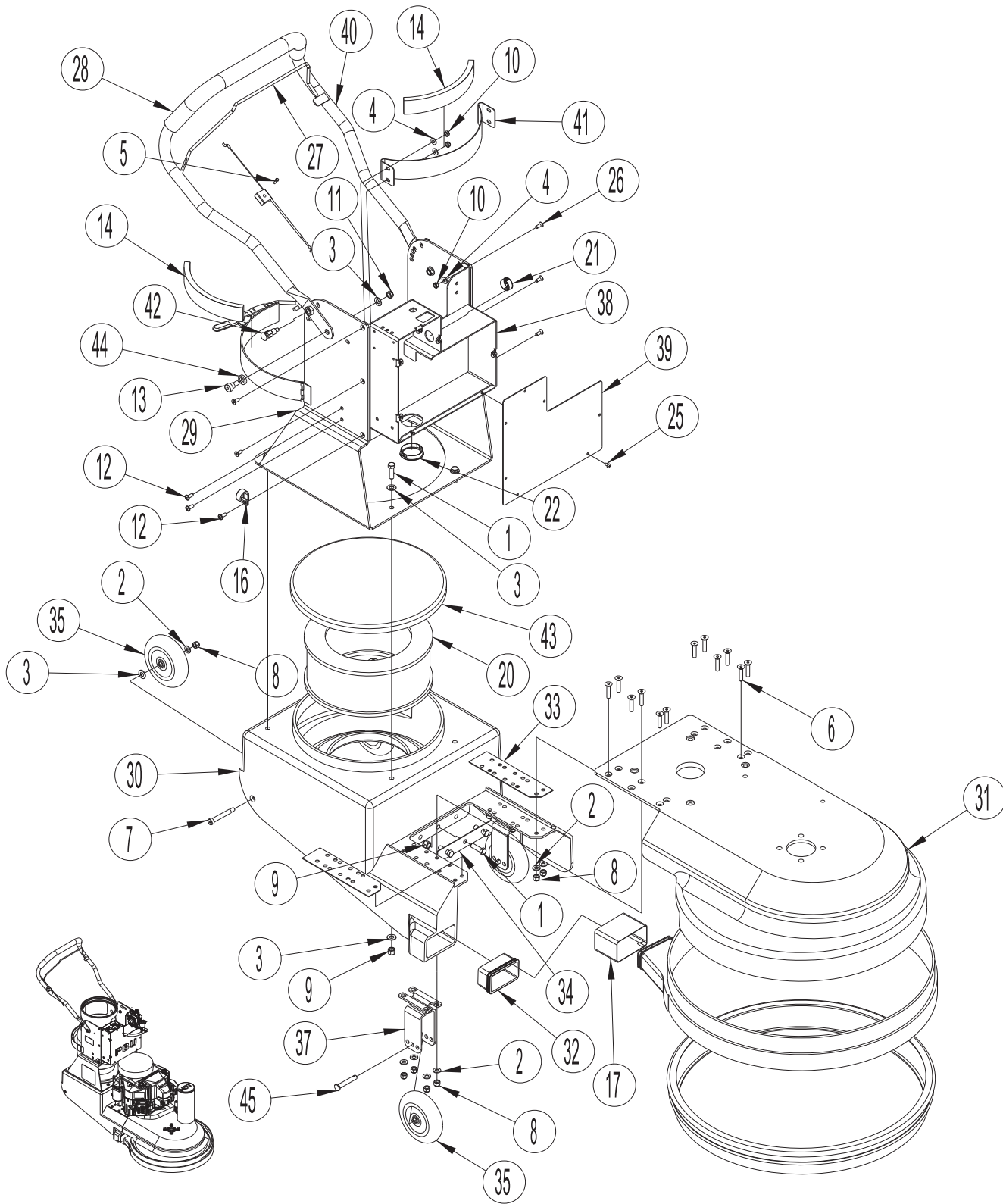
## DÉPANNAGE

Lorsque des problèmes apparaissent, veuillez vous assurer que vous avez vérifié les causes simples qui peuvent parfois sembler trop évidentes pour être prises en considération. Par exemple, un problème de démarrage peut être causé par une panne sèche due à un cylindre de propane vide, à un robinet de service fermé. Si vous ne vérifiez pas ces causes possibles, vous pouvez endommager le starter.

1. **Vibrations excessives** - Vérifiez les possibilités suivantes :
  - (a) Le patin est décentré. Enlevez-le et réinstallez-le.
  - (b) Le plateau de patin est courbé ou cassé. (probablement suite à un choc avec un rebord ou un boulon sur le sol.) Remplacez-le immédiatement avec une pièce neuve.
  - (c) Les roulements de l'assemblage de l'extrémité avant sont usés. Placez la machine sur le côté à l'opposé du silencieux et de la jauge d'huile. Saisissez le circuit du disque et déplacez-vous vers le haut, vers le bas et d'un côté à l'autre pour vérifier le relâchement dans les roulements. Si c'est le cas, alors pour effectuer une réparation appropriée, les roulements devraient être remplacés et probablement l'arbre. Communiquez avec un centre de service autorisé.
  - (d) Vérifiez que les boulons sur le boîtier de l'arbre sont serrés. Vérifiez que les écrous, boulons et entretoises sur le montage de coupleur articulé sont en place et serrés.
2. **LE MOTEUR DÉMARRE ET RALENTIT, MAIS S'ÉTEINT DÈS QUE LE RÉGIME AUGMENTE** - il est possible que le robinet de service du réservoir de propane soit défaillant. Pour le vérifier, fermez complètement le robinet puis réouvrez-le très lentement tout en écoutant le "click" lorsque le gaz commence à passer dans le robinet. Si vous entendez ce bruit très léger, cela signifie que le robinet n'est que partiellement ouvert. Il permet le passage d'assez de gaz pour démarrer et faire fonctionner le moteur au ralenti mais ne permet pas assez de gaz pour un fonctionnement à plein régime. Alors que le régime est augmenté, tout en permettant à plus d'air d'être admis, le moteur s'éteindra pour cause de panne sèche. Veuillez appeler votre revendeur ou l'usine pour des informations sur l'endroit où vous pouvez avoir votre robinet de service remplacé. Dans le même temps, vous pouvez continuer à ouvrir le robinet de service jusqu'à ce que vous n'entendiez plus le "click" et le moteur fonctionnera normalement. Dans le cas contraire, veuillez contacter le représentant des ventes ou de service.
3. **LA BRUNISSEUSE SEMBLE FONCTIONNER NORMALEMENT MAIS ELLE CALE LORSQUE LE PATIN S'APPLIQUE AU SOL OU PEU DE TEMPS APRES** - Vérifiez le même problème qu'en #2.
4. **UN BRUIT EXCESSIF PROVENANT DU DESSOUS DE LA BRUNISSEUSE**- si ce problème apparaît après avoir utilisé la machine à neuf, le premier emplacement à vérifier est le tendeur Lovejoy. Lorsqu'une nouvelle courroie s'use, elle s'étire naturellement un petit peu et le tendeur commence à racler. Basculez la polisseuse sur le côté (silencieux vers le bas) et réduisez le jeu de la courroie en serrant le tendeur Lovejoy.
5. **LE STARTER A DU MAL A DEMARRER LE MOTEUR ou LE SOLENOÏDE N'EMET QU'UN CLICK SUR LES MODELES 12 VOLT**- La batterie présente probablement une faible charge. Ce problème peut être résolu en rechargeant la batterie en utilisant un chargeur de batterie 12 V à 4-12 ampères. La batterie est située sous le châssis, à l'arrière de la polisseuse. La borne positive est celle avec le câble ROUGE y étant relié. Suivez les instructions livrées avec le chargeur de batterie. **RAPPEL** : Ceci continuera à arriver à moins que le moteur de la brunisseuse fonctionne pendant un temps suffisant après le démarrage pour recharger la batterie.
6. **SOUDAINEMENT LE MOTEUR A UN RETOUR DE FLAMME FORT ET RÉGULIER** - Vérifiez les enveloppes de bougie d'allumage. L'une d'entre elles doit sûrement être craquée, sans doute suite au contact d'un coin d'étagère ou d'un cadre de porte. Enlevez le fil de bougie de la bougie d'allumage et remplacez l'enveloppe par une nouvelle. Le moteur doit désormais fonctionner normalement. Dans le cas contraire, veuillez contacter le représentant des ventes ou de service.

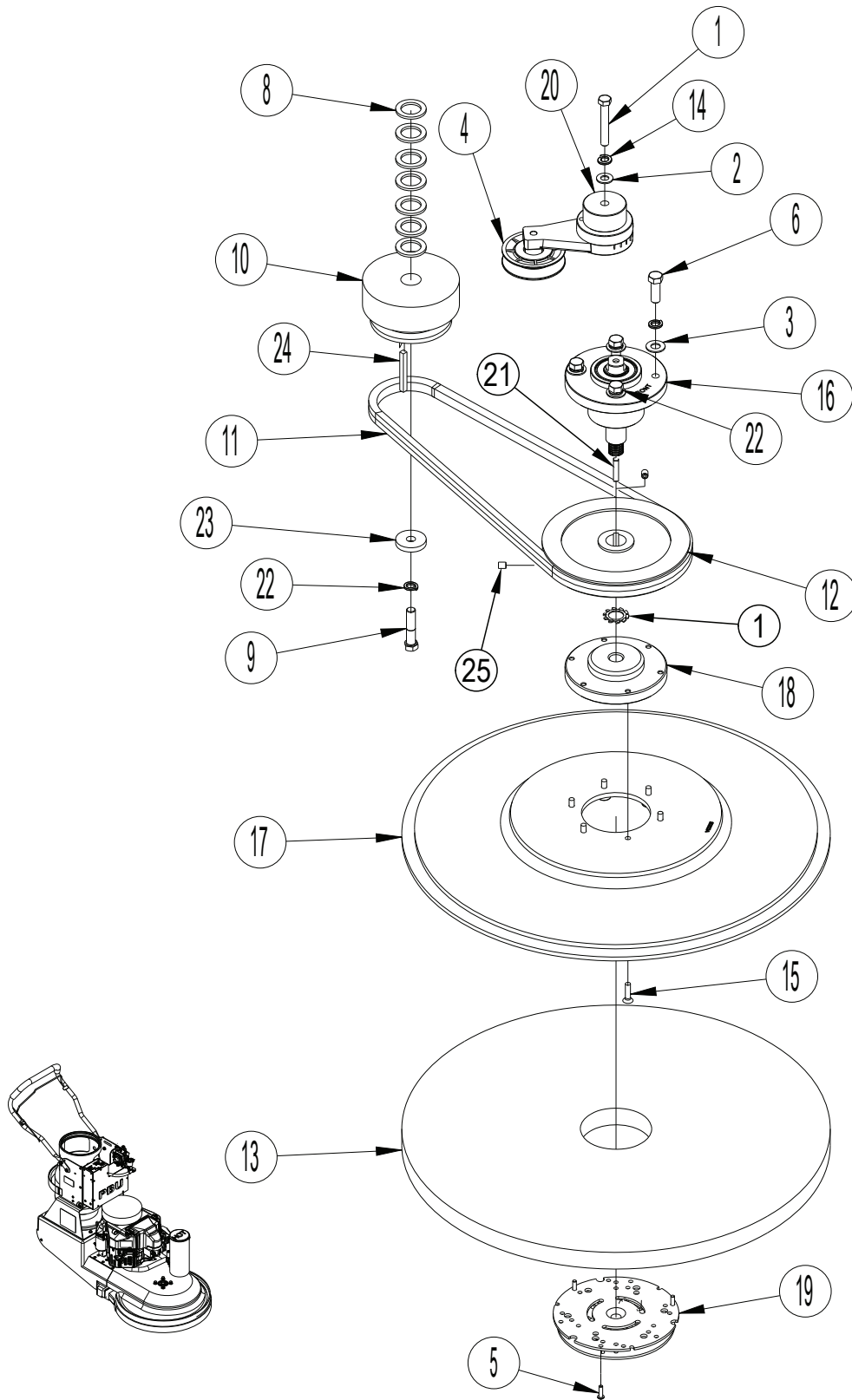
# **PBU**

## **Propane Floor Burnisher Equipment Parts Manual**



Item	Ref. No.	Qty	Description
1	56001858	7	Scr, Hex 3/8-16 X 1.25
2	56001939	14	Wsh, Flt Sae 5/16
3	56002063	12	Wsh, Flt Sae 3/8
4	56002098	10	Wsh, Flt Sae 1/4
5	56002438	1	Scr, Hex Thd Form 8-32 X .50
6	56002559	12	Scr, Flt Soc 5/16-18 X 1.50
7	56002628	2	Scr-Soc Shd .38 X 2.25 X 5/16-18
8	56002701	14	Nut, Hex Nyl Loc 5/16-18
9	56002769	7	Nut-Hex Nyl Loc 3/8-16
10	56002840	10	Nut, Hex Nyl Loc-Thin 1/4-20
11	56002841	2	Nut, Hex Nyl Loc-Thin 3/8-16
12	56003213	5	Scr-Pan Phil Blk 1/4-20 X .62
13	56003673	2	Scr-Soc Shd .50 X .38 X 3/8-16
14	56381395	2	Bumper-Tank
15	56381469	1	Cable-Throttle
16	56410097	1	Clamp, P
17	30307A	1	Dust Boot
18	30612A	1	Bumper 21 DC
[ ]	30570A	1	Bumper 27 DC
19	30627A	1	Skirt Assy 21 DC
[ ]	30576A	1	Skirt Assy 27 DC
20	52698A	1	Dust Filter
21	53366A	1	Busing Bushing Univ Lock
22	53367A	1	Bushing Snap Blk
[24]	53573A	1	Clamp Hose 76 In (21 Inch)
[ ]	53555A	1	Clamp Hose 95 In (27 Inch)
25	80234A	7	Screw Phcr 10-32 X 1/4 Blk
26	80235A	5	Screw Fhcr 1/4-20x5/8 Blk
27	98618A	1	UI Lever Handle
28	98622A	1	Handle Grip Tube
29	10487B	1	Carrier Weldment
30	21060C	1	Casting, Vacbox Gray
31	21062C	1	Casting, 21" Drive Hsg Gray
[ ]	21061C	1	Casting, 27" Drive Hsg Gray
32	30308A	1	Inlet, Dust Throat
33	30309A	2	Gasket_Deck_Mount
34	30310A	1	Gasket, Flange Mount
35	52632B	4	Wheel 5 Brn Pbu 27dc
[36]	53186A	2	Tie, Wire (Not Illustrated)
37	61315A	2	Caster, Rigid-Wldmt
38	61343A	1	Control Box Weldment
39	61344A	1	Cover, Control Box
40	61346B	1	Handle, Dc Burnishers
41	61347A	1	Strap, Carrier (Dc)
42	61368A	2	Pin Assy Dc
43	61371A	1	Lid Asm, Dust
44	61487A	2	Spacer
45	80231A	2	Pin Clevis 3/8 X 2-1/4

[ ] = Not Shown

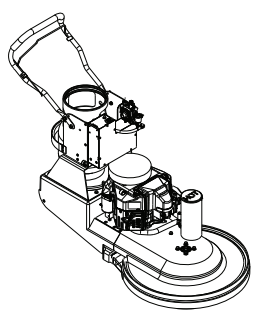
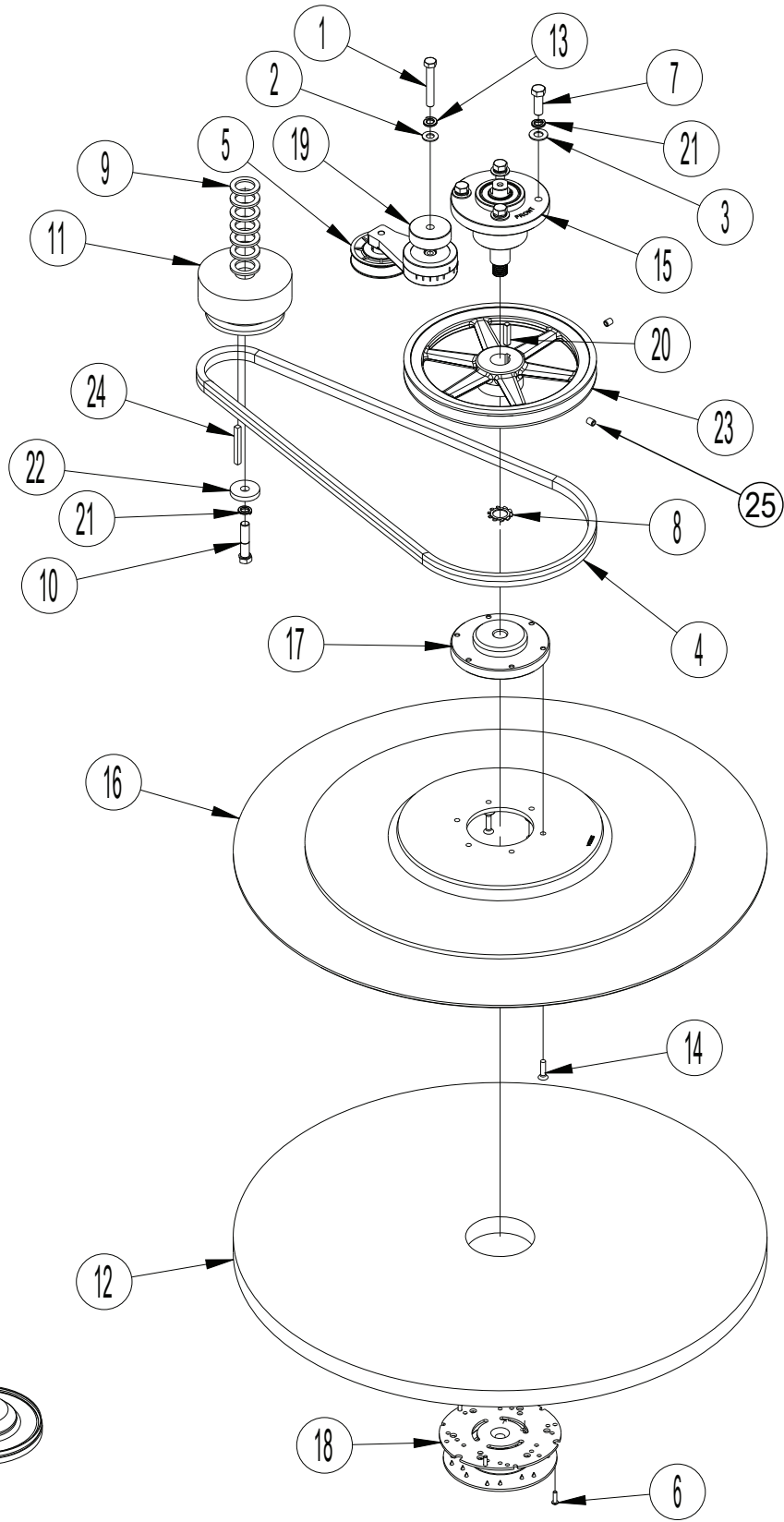


Item	Ref. No.	Qty	Description
1	56001873	1	Scr, Hex 3/8-16 X 2.50
2	56002063	1	Wsh, Flt Sae 3/8
3	56009068	4	Wsh, Flt Sae 7/16
4	61486A	1	Tensioner, Rotary, Fenner
5	80242A	3	Screw, #8-18 X 5/8 Hi-Lo
6	98450A	4	Hx 7/16-14 X 1-1/4 Hd C
7	98452A	1	Lock Washer 3/4 Ext Tooth
8	98476A	7	Spacing 1 X 1 1/2 X 1/8
9	98491A	1	Hex Hd 7/16-20 X Cp Scr
10	98585A	1	Clutch, Centrifugal
11	98988A	1	Belt B-47 Gates
12	99033A	1	Pulley, Bk75 X 1
13	99931A	1	Pad 21 Beige Thermal 376
14	170883	1	Washer, Lock 3/8"
15	962285	6	Screw, 1/4-20 X 1.00 F.H.
16	10530A	1	Bearing Asm 1.5 Deg
[ ]	98567A	1	Shaft
[ ]	61359A	1	Housing
[ ]	98660A	2	Bearing
[ ]	98460A	2	Snap Ring
17	30350A	1	Pad Asm
18	50935A	1	Plate Shaft
19	56941A	1	Retainer Pad, Center Lok
20	58539A	1	Spacer Al Cook
21#	65305A	1	Key Square .250 X 1.25
22	98451A	5	Lock Washer 7/16
23	98586A	1	Clutch, Washer
24#	56003248	1	Key, Sq .25 X 2.31
25#	56002021	2	Scr, Soc Set Loc 5/16-18 X .38

[ ] = Not Shown

# = Revised or new since last update

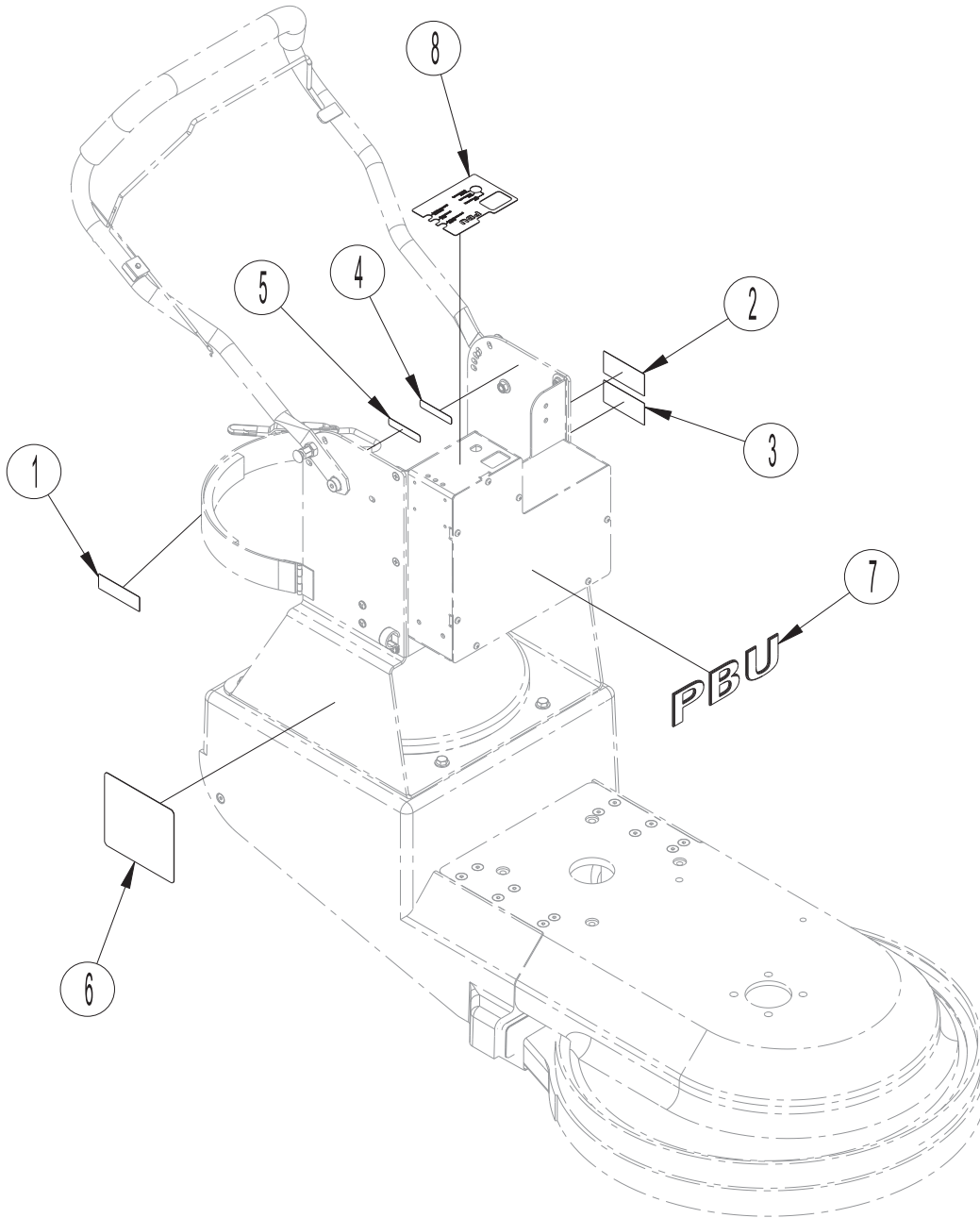




Item	Ref. No.	Qty	Description
1	56001873	1	Scr, Hex 3/8-16 X 2.50
2	56002063	1	Wsh, Fit Sae 3/8
3	56009068	4	Wsh, Fit Sae 7/16
4	56381387	1	Belt-B57
5	61486A	1	Tensioner, Rotary, Fenner
6	80242A	3	Screw, #8-18 X 5/8 Hi-Lo
7	98450A	4	Hx 7/16-14 X 1-1/4 Hd C
8	98452A	1	Lock Washer 3/4 Ext Tooth
9	98476A	7	Spacing 1 X 1 1/2 X 1/8
10	98491A	1	Hex Hd 7/16-20 X Cp Scr
11	98585A	1	Clutch, Centrifugal
12#	56383913	1	Pad-Beige-27-Cs=2ea
13	170883	1	Washer, Lock 3/8"
14	962285	6	Screw, 1/4-20 X 1.00 F.H.
15	10530A	1	Bearing Asm 1.5 Deg
[ ]	98567A	1	Shaft
[ ]	61359A	1	Housing
[ ]	98660A	2	Bearing
[ ]	98460A	2	Snap Ring
16	30351A	1	Pad Asm
17	50935A	1	Plate Shaft
18	56941A	1	Retainer Pad, Center Lok
19	61485A	1	Spacer Tensioner Fenner
20#	65305A	1	Key Square .250 X 1.25
21	98451A	5	Lock Washer 7/16
22	98586A	1	Clutch, Washer
23	99059A	1	Pulley Bk100 X 1
24#	56003248	1	Key, Sq .25 X 2.31
25#	56002021	2	Scr, Soc Set Loc 5/16-18 X .38

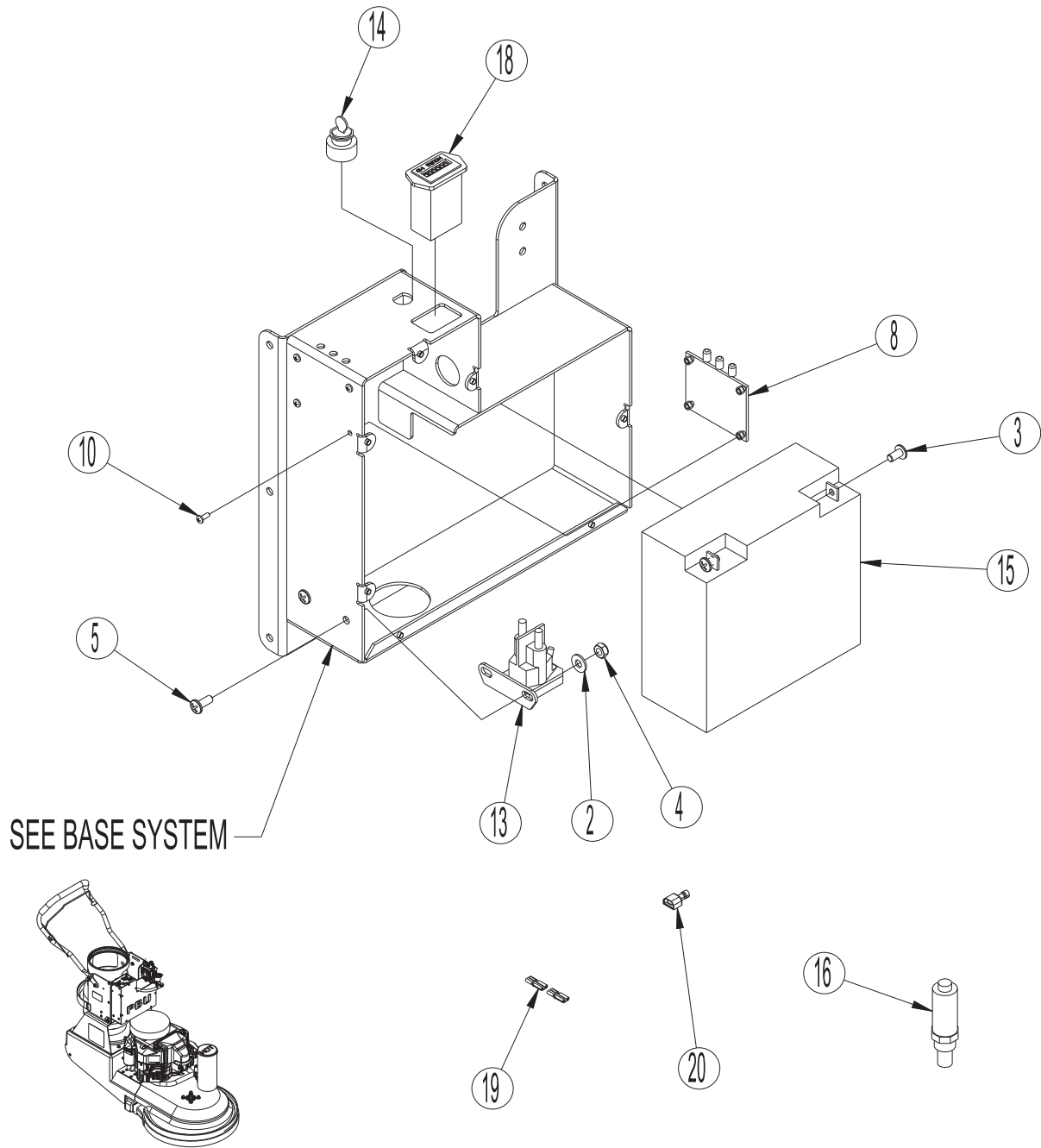
[ ] = Not Shown

# = Revised or new since last update



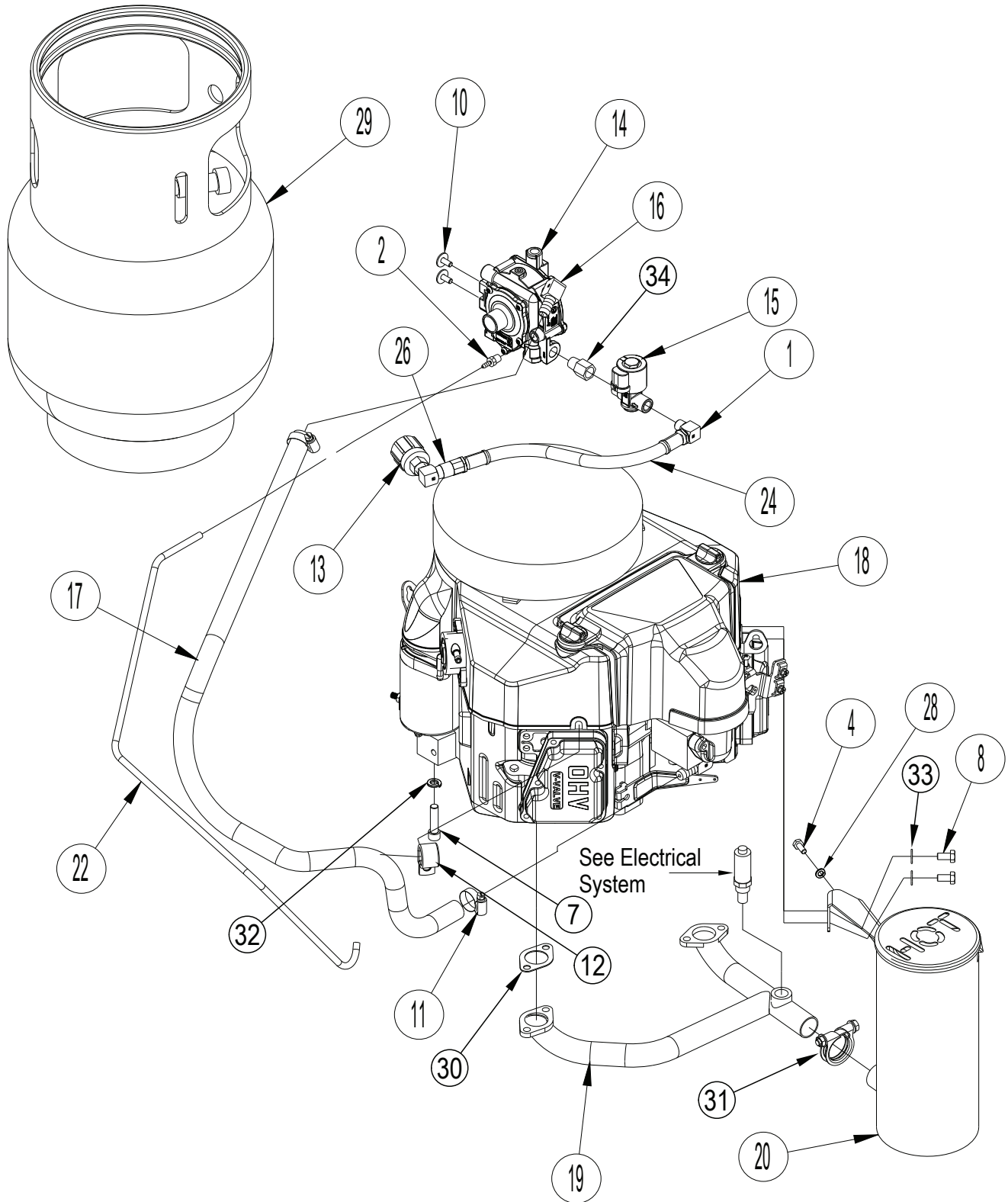
**DECAL SYSTEM****PBU BURNISHER WITH DUST CONTROL**

<b>Item</b>	<b>Ref. No.</b>	<b>Qty</b>	<b>Description</b>
1	56381391	1	Decal-Lpg Caution
2	56381392	1	Decal-Maintenance
3	56381393	1	Decal-Warning
4	70785A	1	Label Tilt Back Right
5	70867A	1	Label Tilt Back
6	77336A	1	Label Danger Vent
7	71502A	1	Label PBU
8	71505A	1	Label Dash PBU DC



Item	Ref. No.	Qty	Description
[1]	170654	1	Lug Crimp Terminal 1/4 Fem
2	56002098	2	Wsh, Flt Sae 1/4
3	56002145	2	Scr-Pan Phil 1/4-20 X .50
4	56002840	2	Nut, Hex Nyl Loc-Thin 1/4-20
5	56003213	2	Scr-Pan Phil Blk 1/4-20 X .62
8	40640B	1	Circuit Card Carb Gard
[9]	56381424	1	Harness-Wiring DC
10	80241A	4	Screw Phcr 6-32x3/8
[11]	98471A	3	H038 1/8 X 7 1/2 Nylon Tie S
[12]	98610A	3	Insulation Boot
13	98701A	1	Solenoid 12v V2 Starter
14	98703B	1	Switch Key 6 Terminal
15	98711A	1	Battery 12v
16	98734A	1	Oxygen Sensor
[17]	98758A	1	Dead Stop Co Detector
18	912226	1	Meter, Hour 12v Dc
19	47711A	2	Terminal, 1/4" Fifqd
20	47905A	1	Terminal 1/4 Fimqd 16-14 Ga
[ ]	43006A	1	Fuseholder 1 Glass
[ ]	853345	1	Fuse-MTR 15AMP-32Volt RO42

[ ] = Not Shown



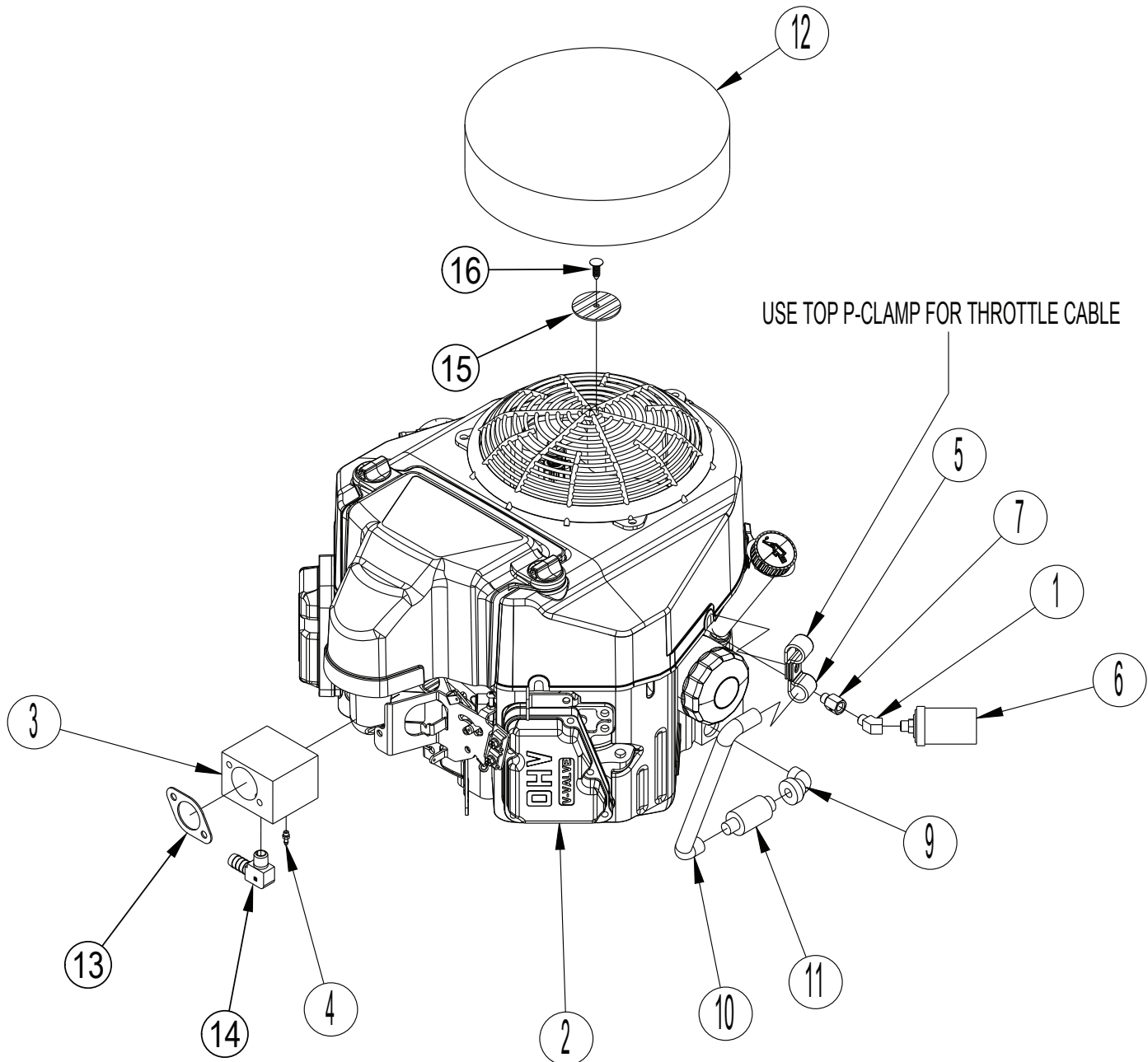
Item	Ref. No.	Qty	Description
1	170040	2	Elbow, Street
2	693303	1	Fitting-Pipe To Hose
[3]	990547	1	Oil Hd Lubricating Sae30
4	56001836	1	Scr, Hex 1/4-20 X .62
7	56002316	3	Scr,Soc Hd Loc 3/8-16x1.50
8	56003179	2	Scr-Hex Thd To Hd M8-1.25 X 20mm
10#	56109766	2	Screw Button Head 1/4-20 X .63
11	56112771	2	Clamp- Hose Sae #10
12	56303651	1	Clamp, Hose Support
13	56369675	1	Coupler-Female
14	56381363	1	Regulator-Lpg
15	56381364	1	Lockoff Assy
16	56381368	1	Elbow-90 Barb Male
17	56381428	1	Hose-Lpg
18	56382681	1	Engine Kit-603CC CAT-11
19	56381376	1	Manifold-Exhaust
20	56382709	1	Muffler-Catalyst
22	56381436	1	Hose-Vac
23	56381397	1	Clamp-Exhaust
24	50299A	1	Hose, L.P. Tank
26	59620A	1	Valve, Check Lp
[27]	98471A	3	H038 1/8 X 7 1/2 Nylon Tie S
28#	980657	1	Washer, Lock 1/4
29	98422A	1	Tank, Steel 20#
*	98421A	1	Tank-Aluminum 20# Polished
*	98421B	1	Tank-Aluminum 20# Gray
30	56381390	1	Gasket-Exhaust
31	8-13-07066	1	Clamp Muffler
32	170883	3	Washer Lock 3/8
33	980652	2	Washer LK 5/16 Regpltd
34#	56383971	1	Adapter-.25MPT X .25FPT-Brass <b>TSB-FC-2014-014</b>

[ ] = Not Shown

\* = Optional, Not Included

# = Revised or new since last update





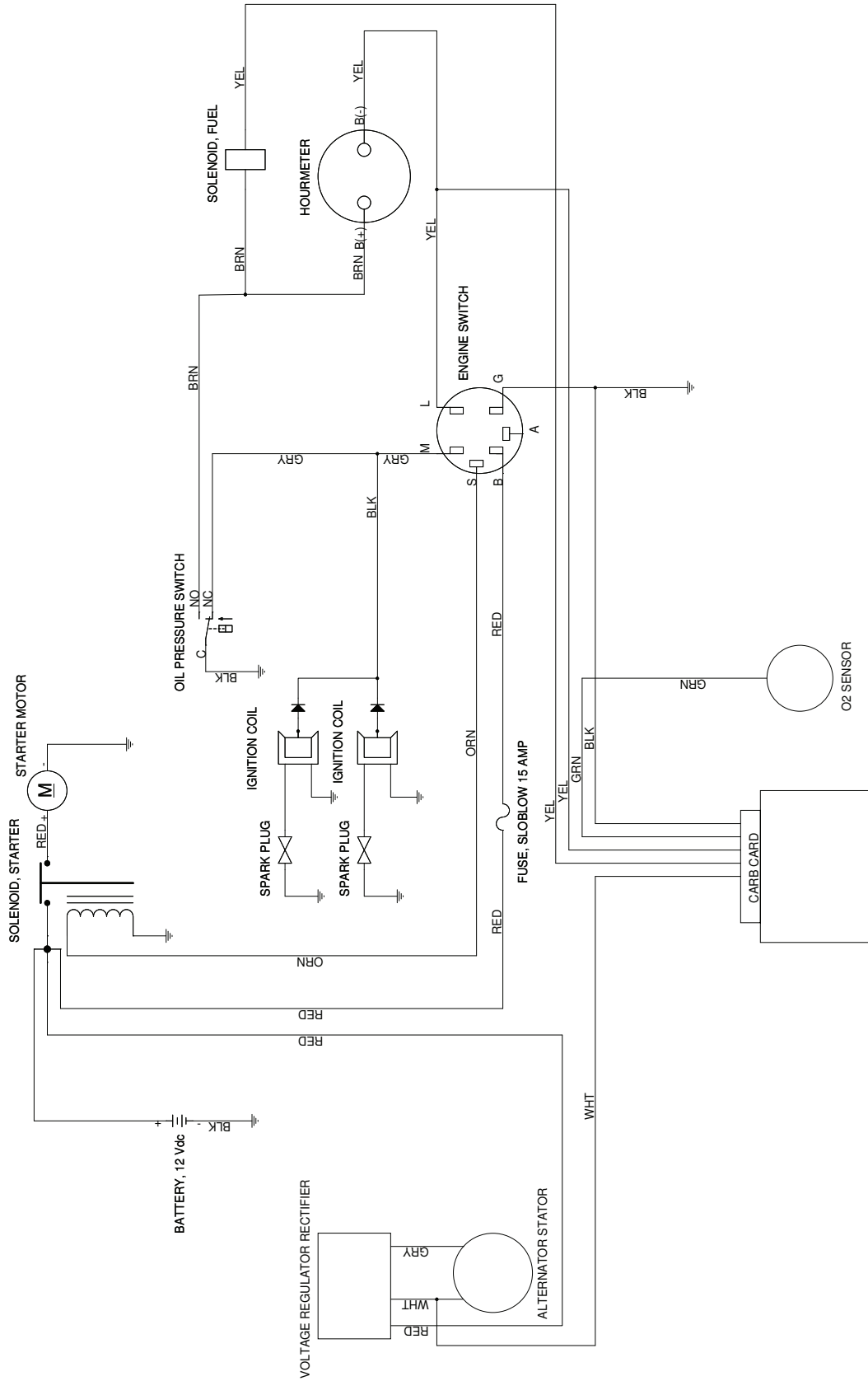
Item	Ref. No.	Qty	Description
	56382681	1	Engine Kit-603CC CAT-11
1	56481658	1	Elbow,45 Street
2	NA	1	Engine-Kaw 603cc
3	56382679	1	Carburetor-LP-11
4	56381371	1	Fitting-1/8 Barb X 10-32
5	56419120	2	Clamp, Hose Support
6	47436A	1	Switch, Pressure 3 Psi
7	50360A	1	Adapter 1/8 Bspm X 1/8 Nptf
9	98755A	1	Elbow Street Galv 3/8 90
10	56382849	1	Drain Hose 1/2
11	98805A	1	Drain Oil Quick Open
12	56383237	1	Bonnet-Engine
13	56381367	1	Gasket-Carburetor
14	56382680	1	Elbow-90 Barb W/ Orifice-11
15	56383229	1	Bonnet Retainer
16	56003693	1	Rivet Nylon Tree Push In.218

**ENGINE REPLACEMENT PARTS**

[ ]	56381372	1	Filter-Oil <b>NOTE 1</b>
[ ]	56381374	2	Plug-Spark
[ ]	56381375	2	Coil-Ignition
[ ]	56381379	1	Element-Air Cleaner
[ ]	56382711	1	Bracket-Muffler Support
[ ]	56381388	1	Prefilter-Air Cleaner
[ ]	56381389	1	Starter
[ ]	56381390	1	Gasket-Exhaust
[ ]	56381418	1	Elbow
[ ]	56381419	1	Hose-Breather
[ ]	56381420	1	Dipstick
[ ]	56381421	1	Kawasaki Parts Catalog
[ ]	56381442	1	Gasket Kit-FS481V

[ ] = Not Shown

**NOTE 1:** The oil filter should be replaced every 100 hours.



Ref. No.	Qty	Description
NA	1	Voltage Regulator Rectifier
NA	1	Alternator Stator
98711A	1	Battery-12Vdc
98701A	1	Solenoid-Starter
56381389	1	Starter Motor
56381374	2	Spark Plug
56381375	2	Ignition Coil
853345	1	Fuse-MTR 15AMP-32Volt RO42
47436A	1	Oil Pressure Switch
98703B	1	Engine Switch
56381364	1	Solenoid-Fuel
912226	1	Hourmeter





## EMISSION CONTROL WARRANTY STATEMENT

### YOUR WARRANTY RIGHTS AND OBLIGATIONS

The California Air Resources Board and NILFISK-ADVANCE INC. are pleased to explain the emission control system warranty on your small off-road engine (SORE). In California and the other 49 states, new SORE engines must be designed, built and equipped to stringent anti-smog standards. NILFISK-ADVANCE INC. must warrant the emission control system on your SORE engine for the periods of time listed below provided that there has been no abuse, neglect or improper maintenance of your engine.

Your emission control system may include parts such as the carburetor or fuel injection system, the ignition system, and catalytic converter. Also included may be hoses, belts, connectors and other emission related assemblies.

Where a warrantable condition exists, NILFISK-ADVANCE INC. will repair your SORE engine at no cost to you including diagnosis, parts and labor.

### MANUFACTURER'S WARRANTY COVERAGE

The small off-road engines are warranted for **two years**. If any emission-related part on your engine is defective, the part will be repaired or replaced by Nilfisk-Advance Inc.

### OWNER'S WARRANTY RESPONSIBILITIES

As the small off-road engine (SORE) owner, you are responsible for the performance of the **required maintenance listed in your owner's manual**. NILFISK-ADVANCE INC. recommends that you retain all receipts covering maintenance of your SORE engine but NILFISK-ADVANCE INC. cannot deny warranty solely for the lack of receipts or for your failure to ensure the performance of all scheduled maintenance. As the SORE owner you should however be aware that NILFISK-ADVANCE INC. may deny you warranty if your SORE or a part has failed due to abuse, neglect, improper maintenance or unapproved modifications.

You are responsible for presenting your utility equipment engine to a NILFISK-ADVANCE INC. distribution center as soon as the problem exists. The warranty repairs should be completed in a reasonable amount of time, not to exceed **30 days**.

If you have any questions regarding your warranty rights and responsibilities, you should contact NILFISK-ADVANCE INC. at 1-800-989-2235 or email at [uswarranty@nilfisk-advance.com](mailto:uswarranty@nilfisk-advance.com)

NILFISK-ADVANCE INC.  
14600 21<sup>st</sup> Avenue North  
Plymouth, MN 55447

### MANUFACTURER'S EXPLANATION OF WARRANTY COVERAGE

The engine manufacturer warrants to the original owner and each subsequent purchaser that each new engine will be free from manufacturing defects in materials or workmanship under normal use during a period of two (2) years from the date of delivery, provided it is operated and maintained in accordance with engine owner manual operating instructions.

Repair or replacement of any warranted part will be performed at no cost to the owner at a warranty station. For the NILFISK-ADVANCE INC. repair station nearest you call 1-800-989-2235.

Any warranted part which is not scheduled for replacement as required maintenance, or which is scheduled only for regular inspection to the effect of "repair or replace as necessary" is warranted for the warranty period. Any warranted part which is scheduled for replacement as required maintenance is warranted for the period of time up to the first scheduled replacement point for that part.

The owner will not be charged for diagnostic labor which leads to the determination of that a warranted part is defective, if the diagnostic service is performed at a warranty station.

NILFISK-ADVANCE INC. is liable for damages to other engine components caused by the failure of a warranted part still under warranty. NILFISK-ADVANCE INC. is not liable for failures of warranted parts caused by the use of add-on or modified parts.

Warranty service or repairs are available at all NILFISK-ADVANCE INC. service centers that are franchised to service this engine.

Any NILFISK-ADVANCE INC. approved replacement part may be used in the performance of warranty maintenance or repairs on emission-related parts and will be provided to the owner without charge if the part is still under warranty.

The owner is responsible for the performance of the required maintenance, as defined in the NILFISK-ADVANCE INC. owner's manual for this engine.

#### SPECIFIC EMISSION-RELATED WARRANTED PARTS

Carburetor, Spark Plug, Air Filter Element, Fuel Lock, Wiring Harness, LPG Regulator, Intake Manifold, Exhaust Manifold, Muffler with Catalytic Converter, Magneto.

